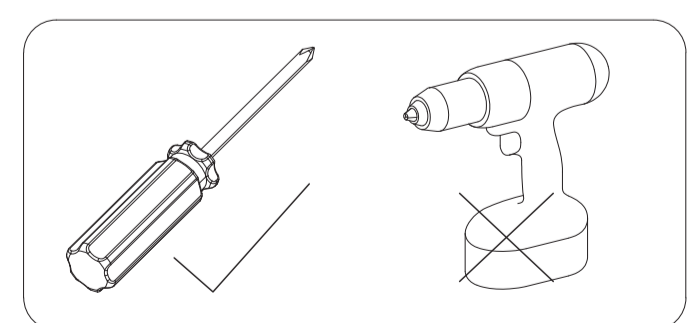
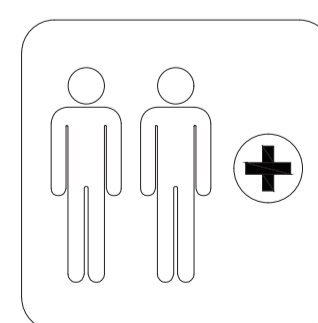


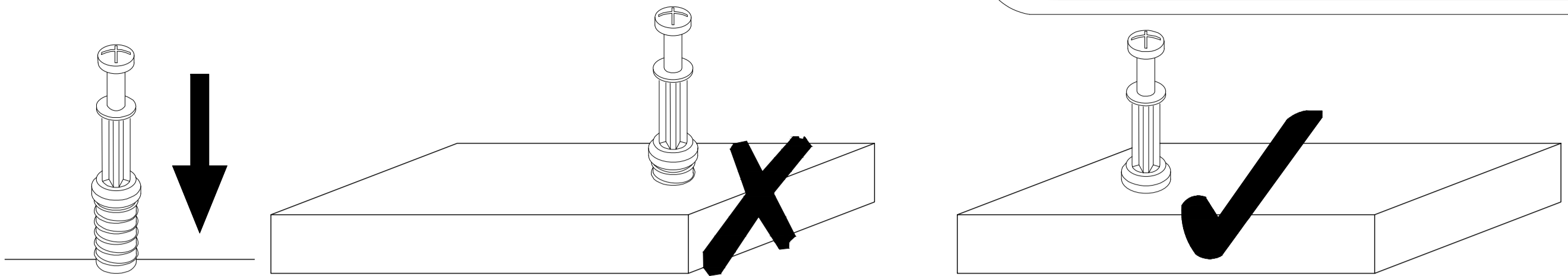
Kitchen Cart

SKU N707P455599
SKU N707P455600

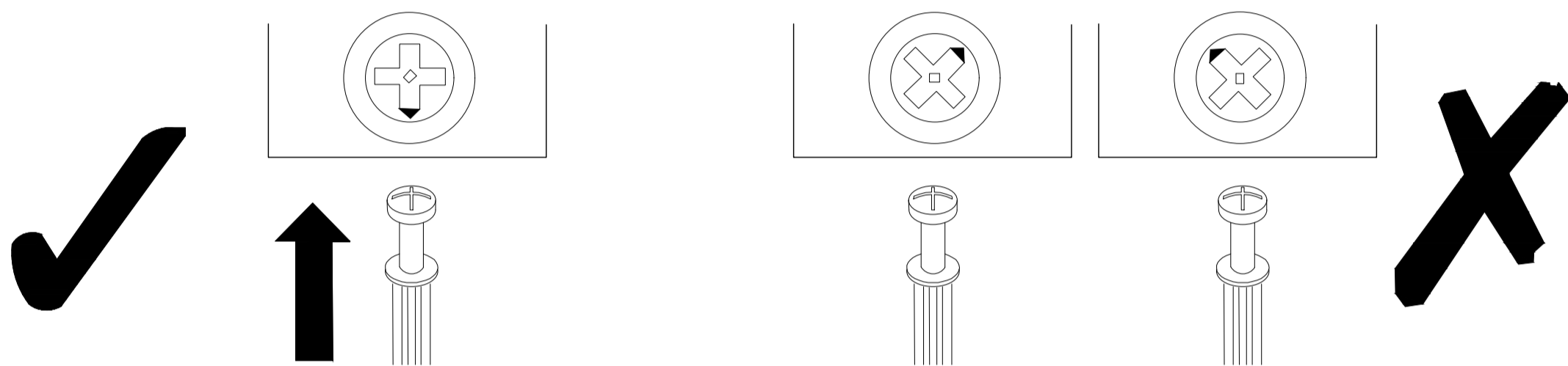
Assembly instructions-Please keep for future reference



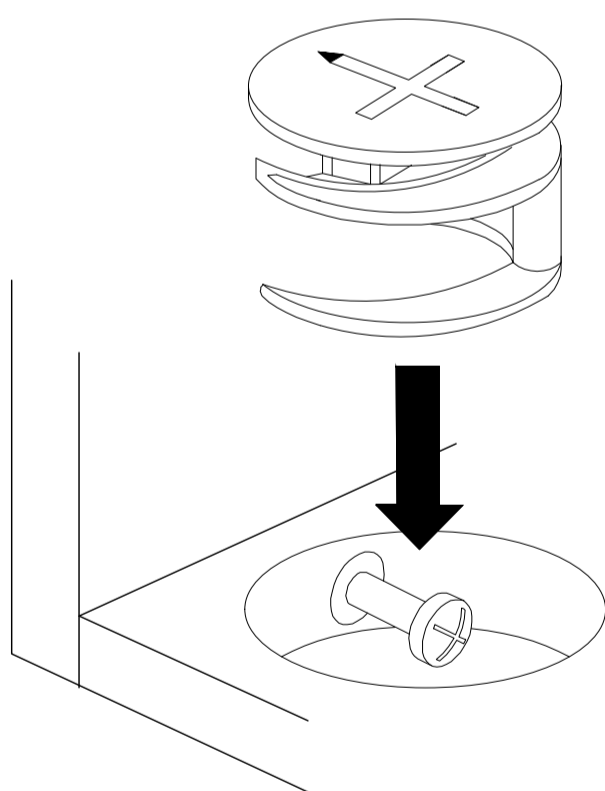
Important-Please read these instructions fully before starting assembly



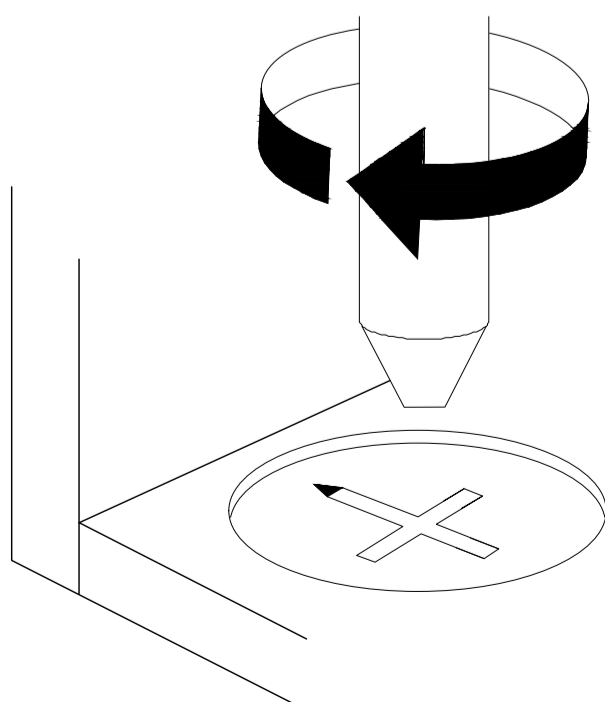
QUICKFIT: Tighten quickfit until shoulder is flush with panel. Do not overtighten or undertighten.



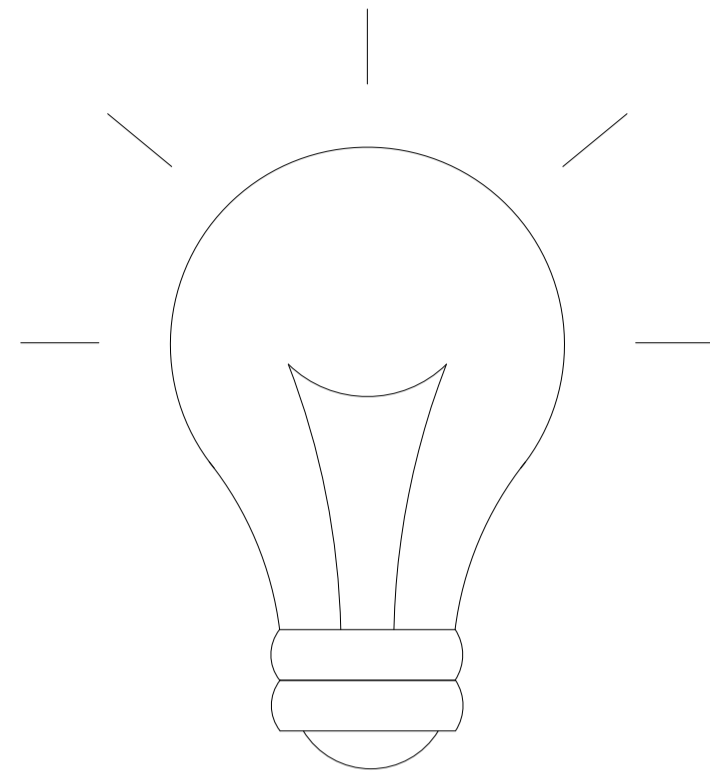
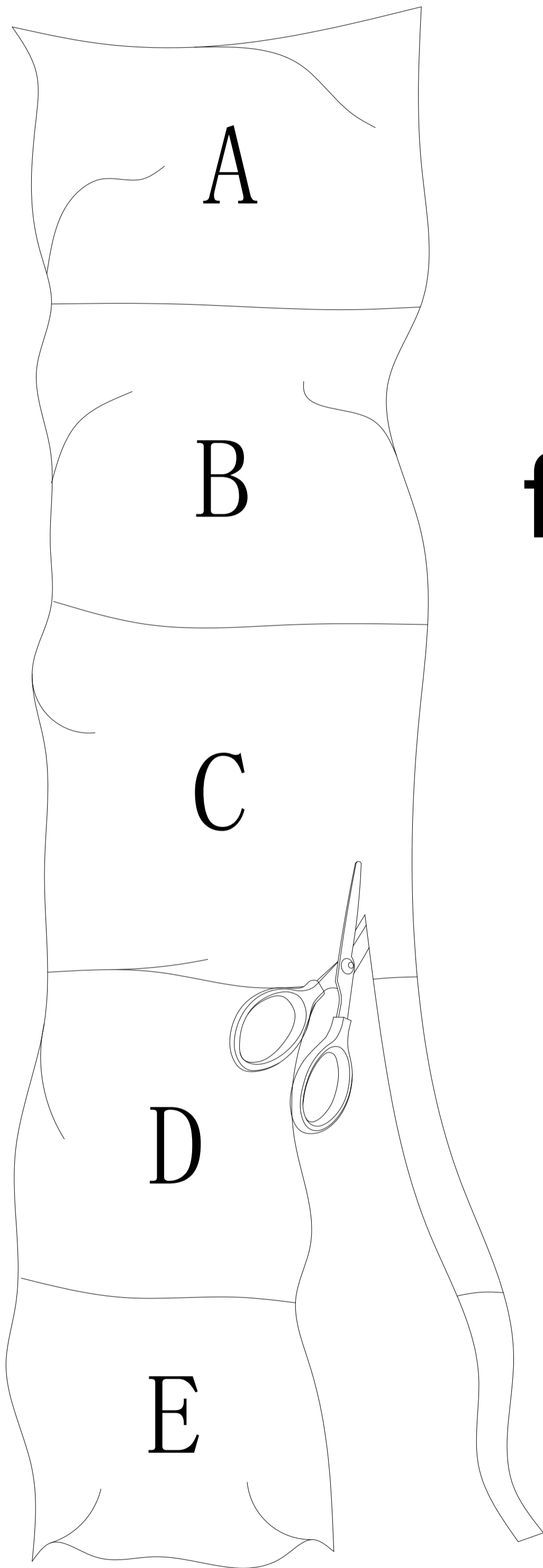
LOCK: When fitting cam lock, ensure starting position is correct before you insert connecting quickfit.



Quickfit head should be in the centre of the cam lock when the two panels are joined. Cam lock should be inserted before quickfit.



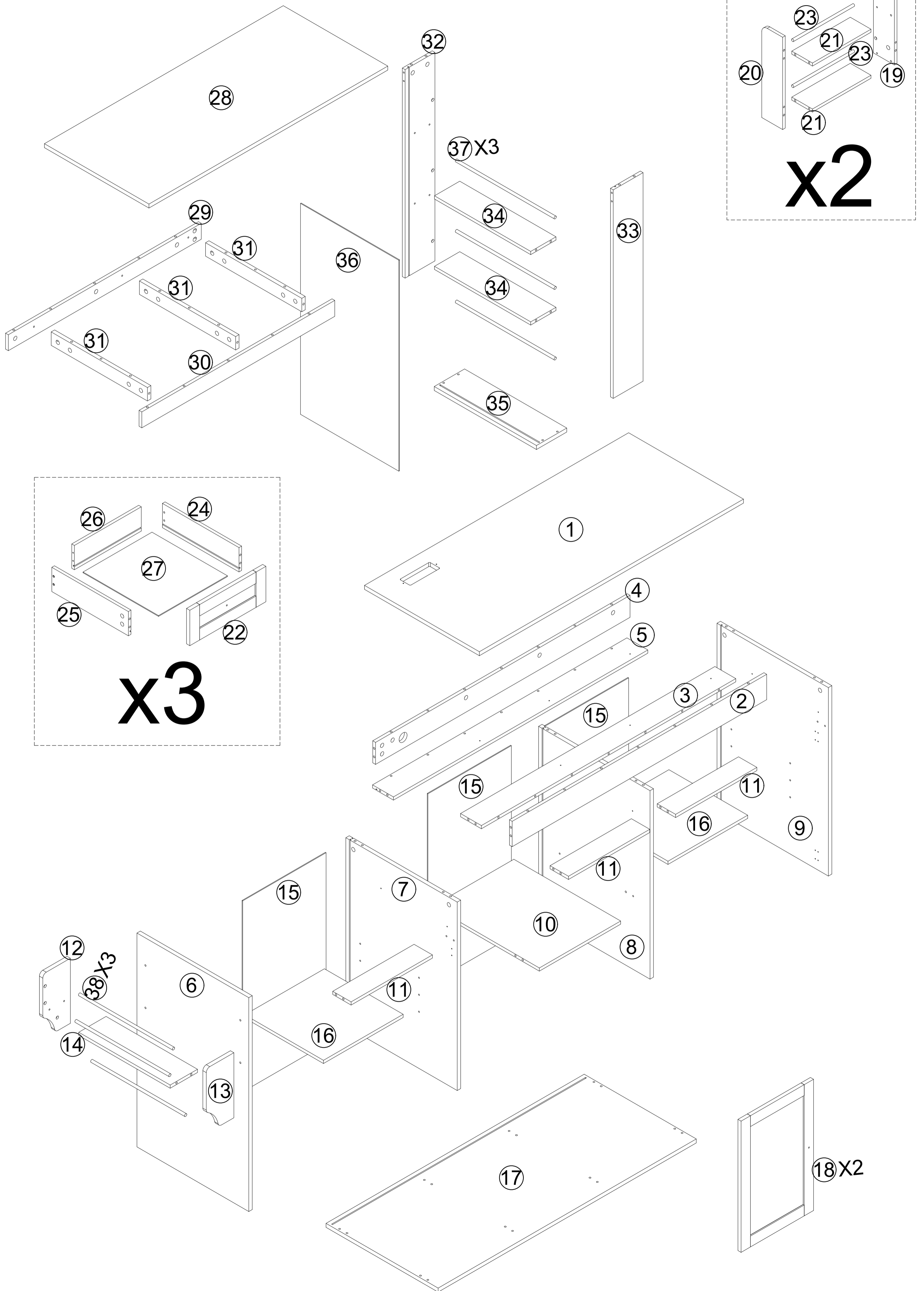
Turn cam lock clockwise to tighten.



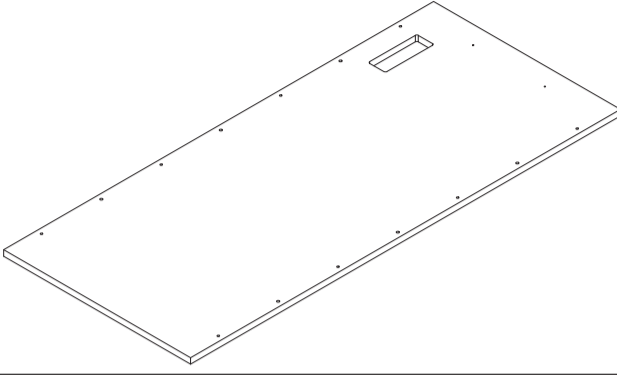
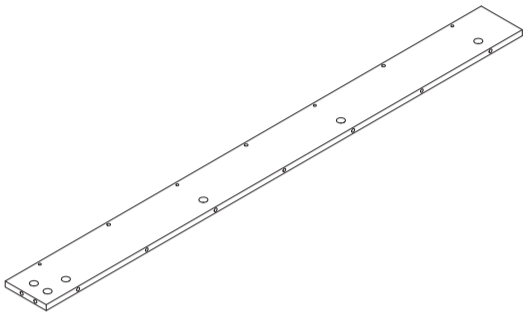
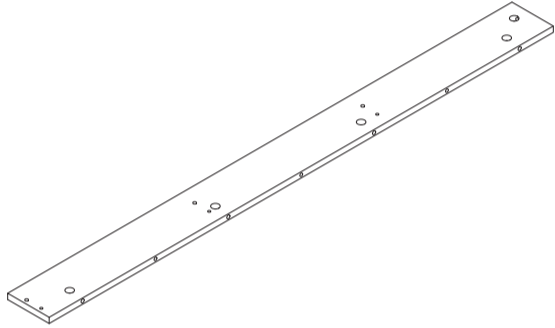
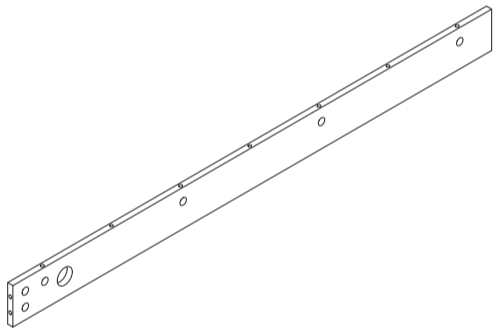
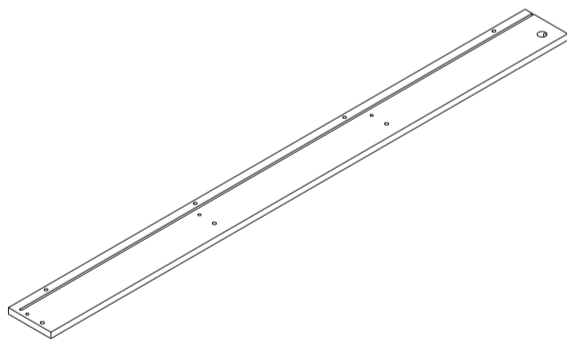
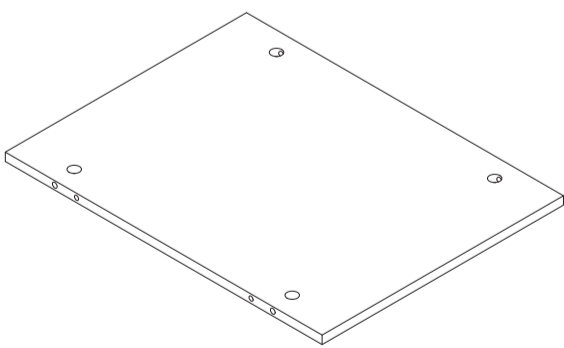
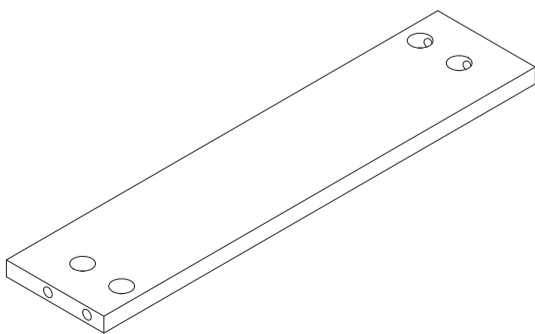
friendly reminder

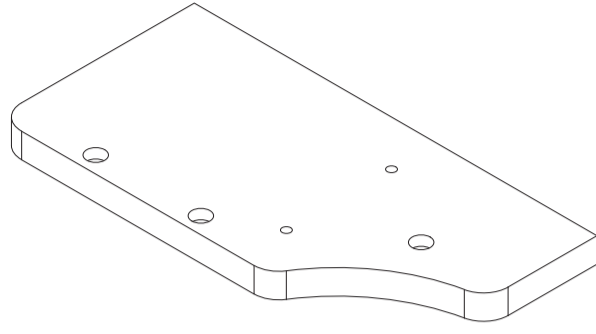
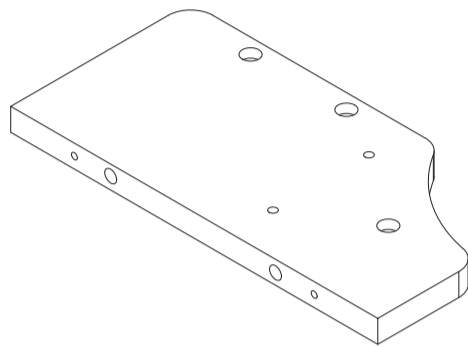
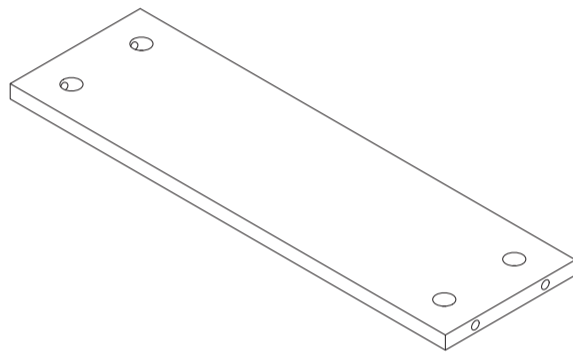
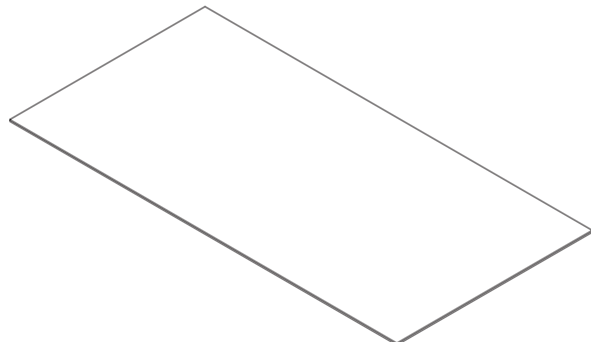
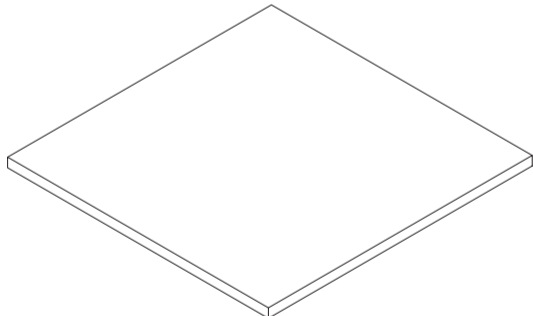
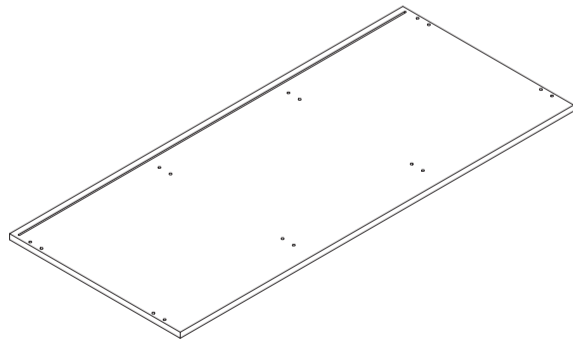
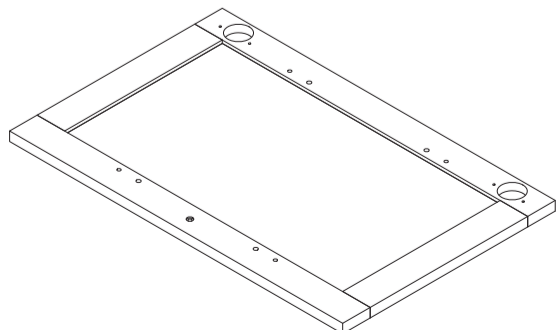
To avoid errors and confusion during the installation of accessories, use the type and quantity of hardware accessories according to the installation procedure described in the instructions. First, unroll the accessories bag and lay out the hardware accessories, cut holes in the side, and take out the hardware accessories

Assembly Instructions

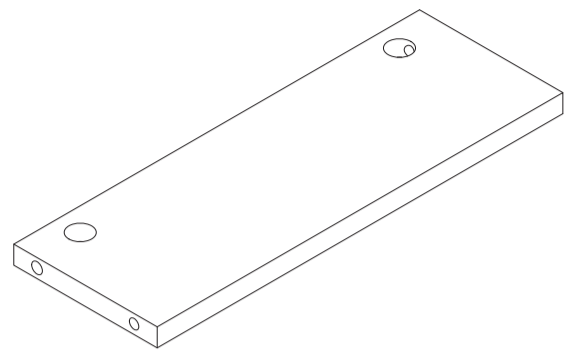
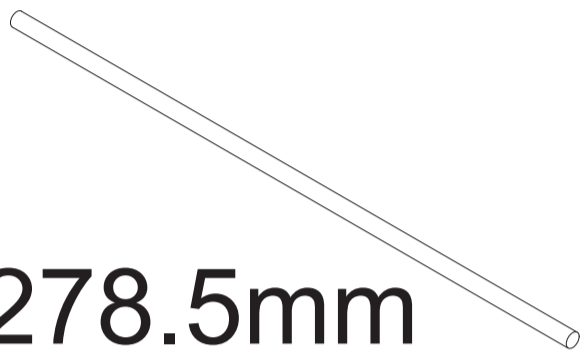
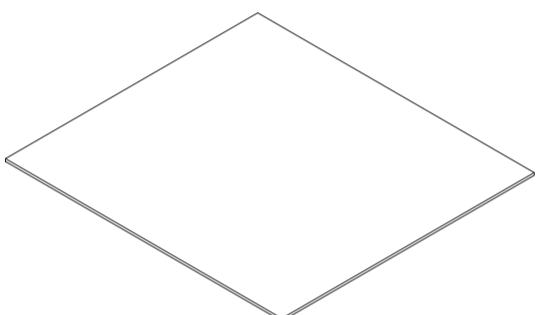
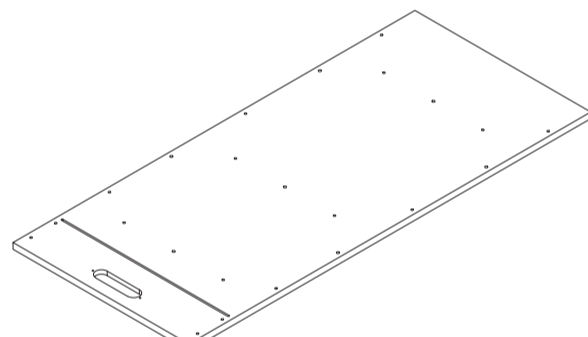
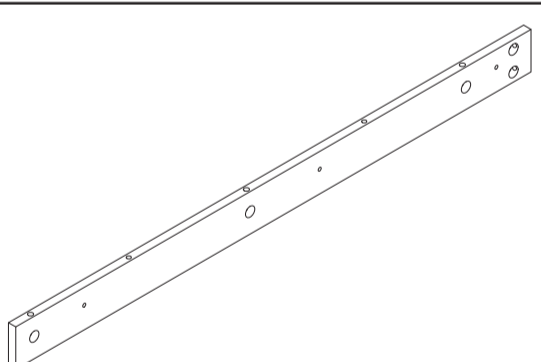
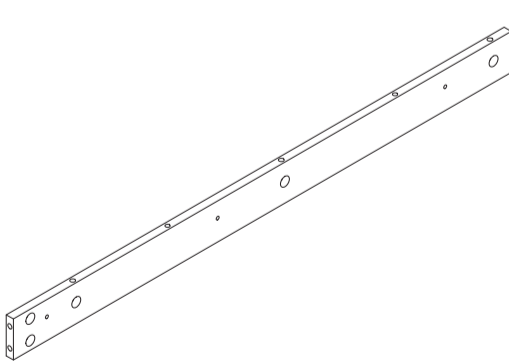
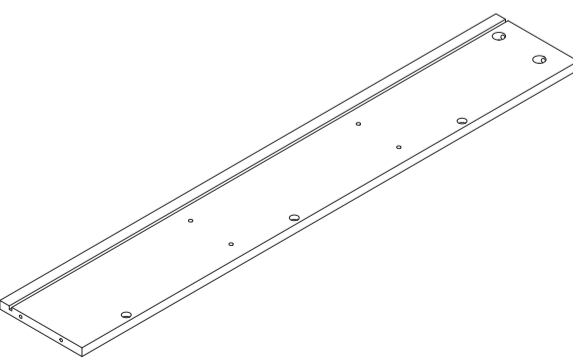


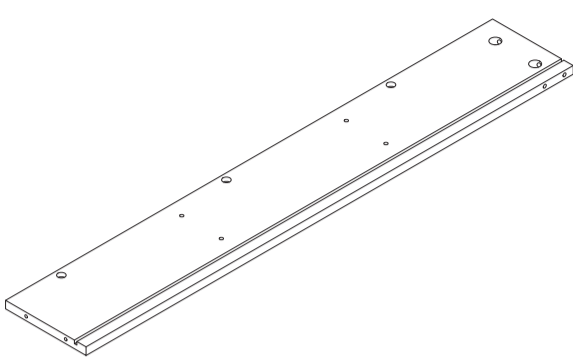
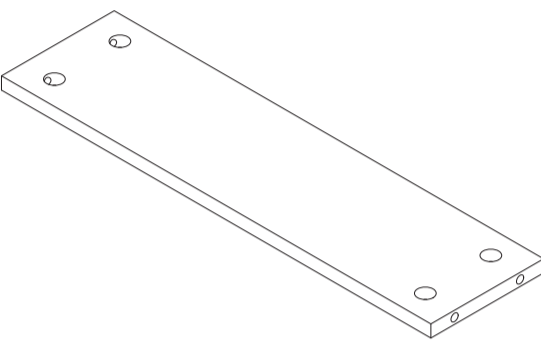
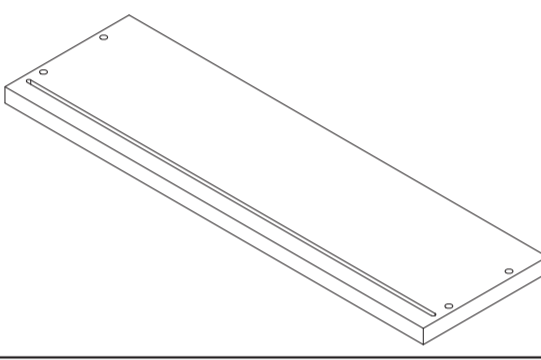
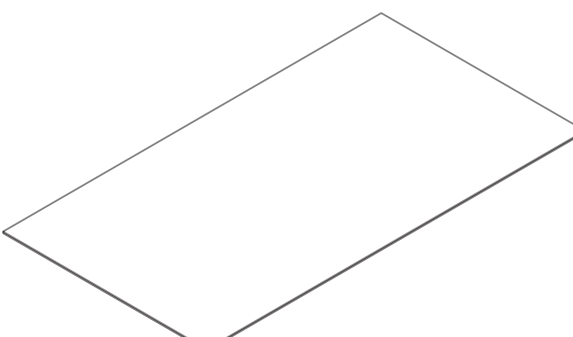
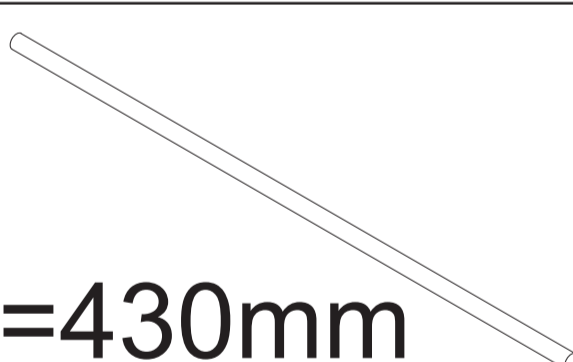
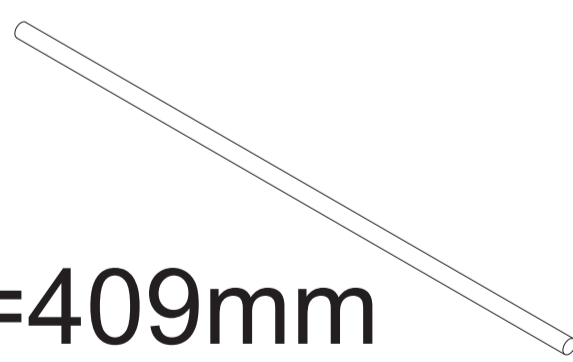
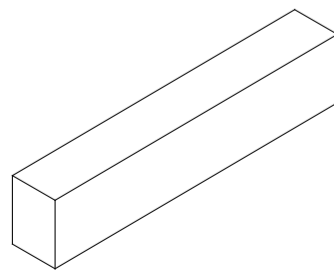
BOX:N707P455599

NO.	PARTS	QTY
①		x1
②		x1
③		x1
④		x1
⑤		x1
⑩		x1
⑪		x3

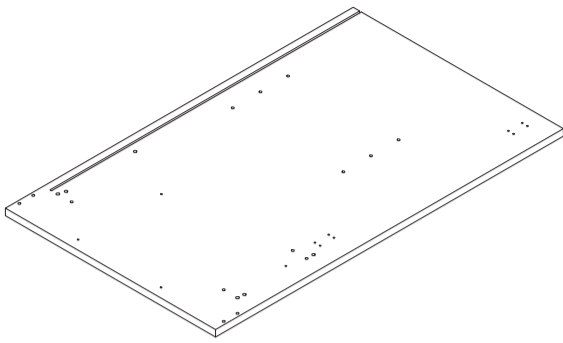
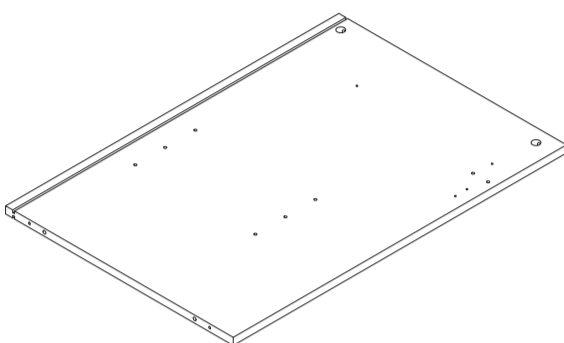
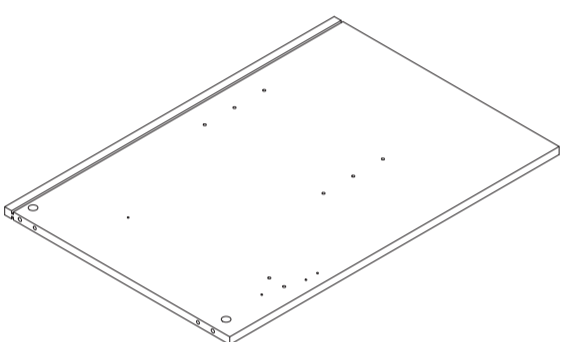
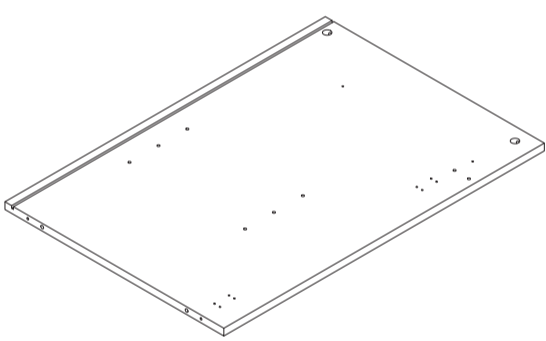
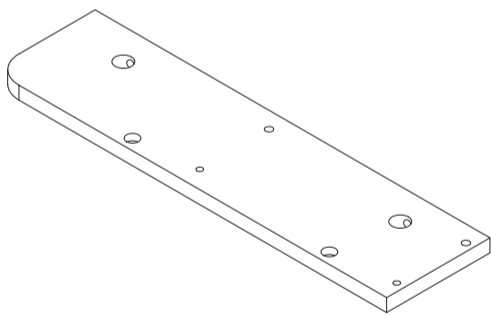
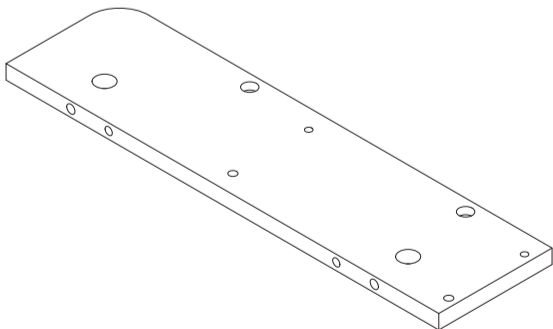
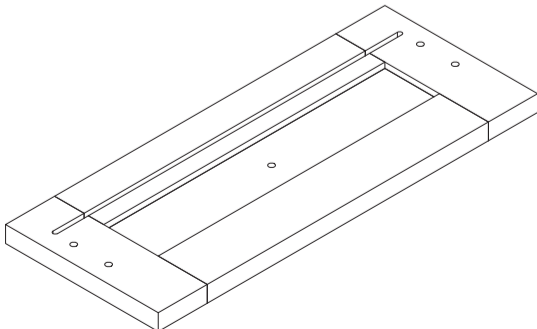
NO.	PARTS	QTY
⑫		x1
⑬		x1
⑭		x1
⑮		x3
⑯		x2
⑰		x1
⑱		x2

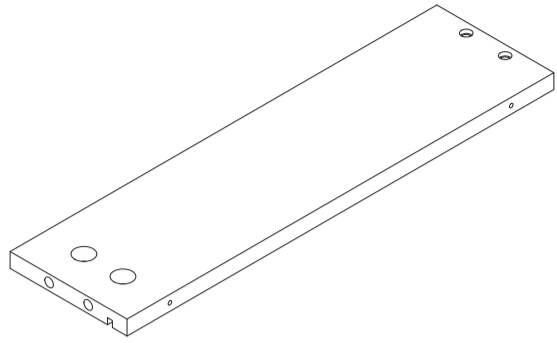
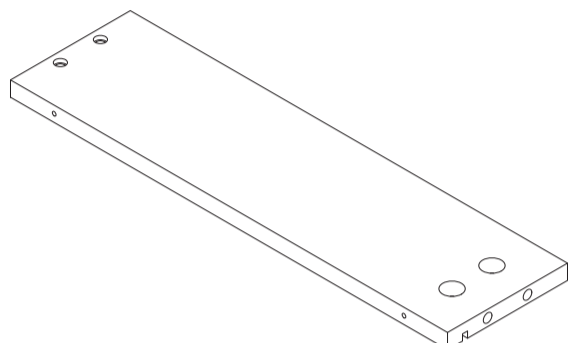
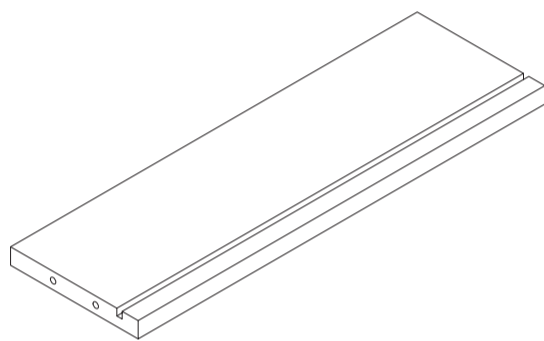
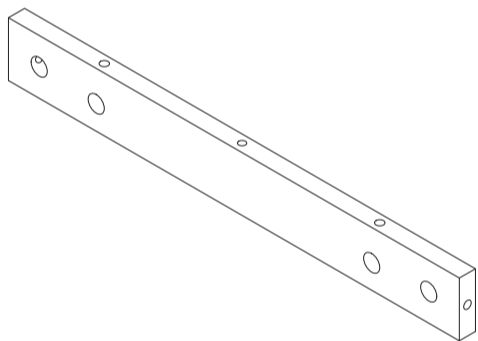
BOX:N707P455599

NO.	PARTS	QTY
21		x4
23	 L=278.5mm	x4
27		x3
28		x1
29		x1
30		x1
32		x1

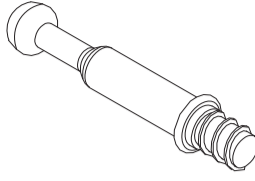
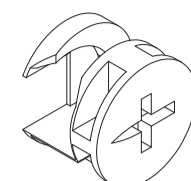
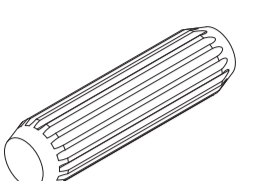
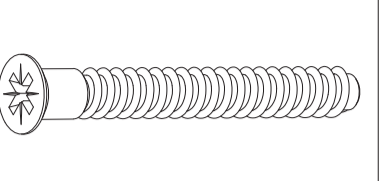
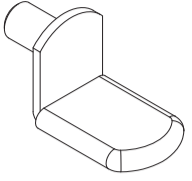
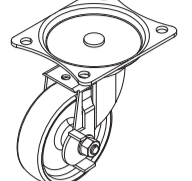
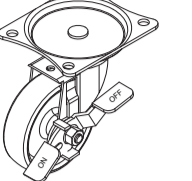
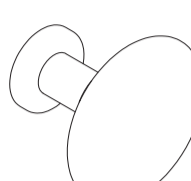
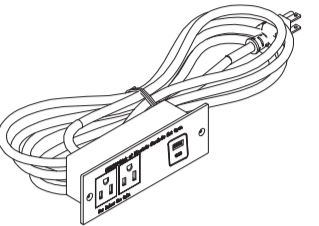
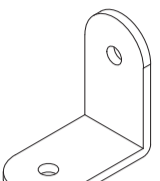
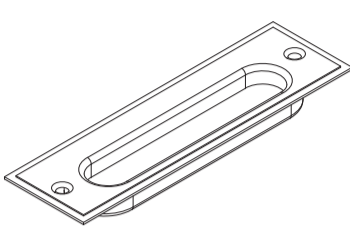
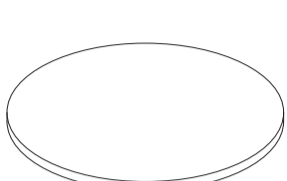
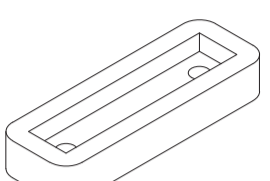
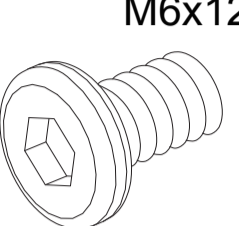
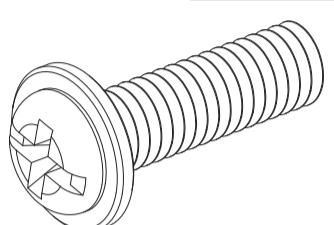
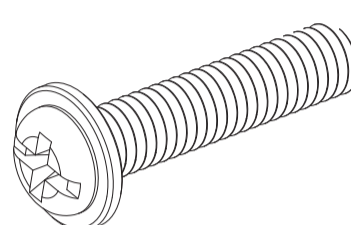
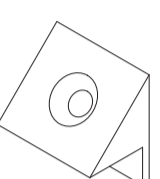
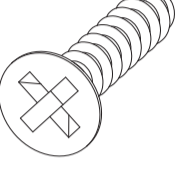
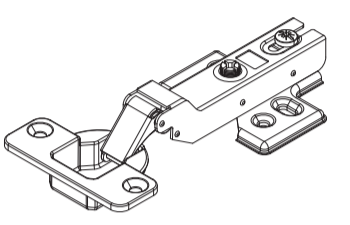
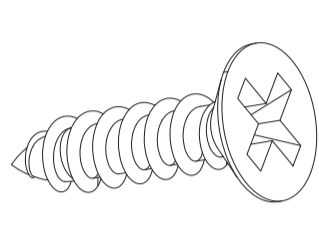
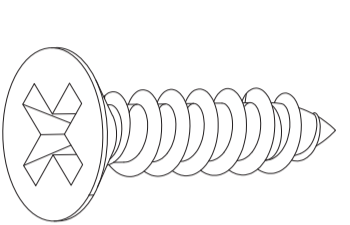
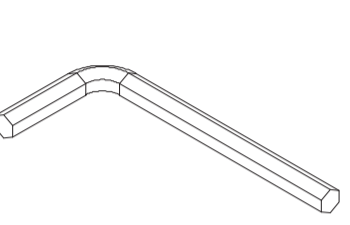
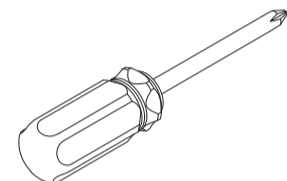
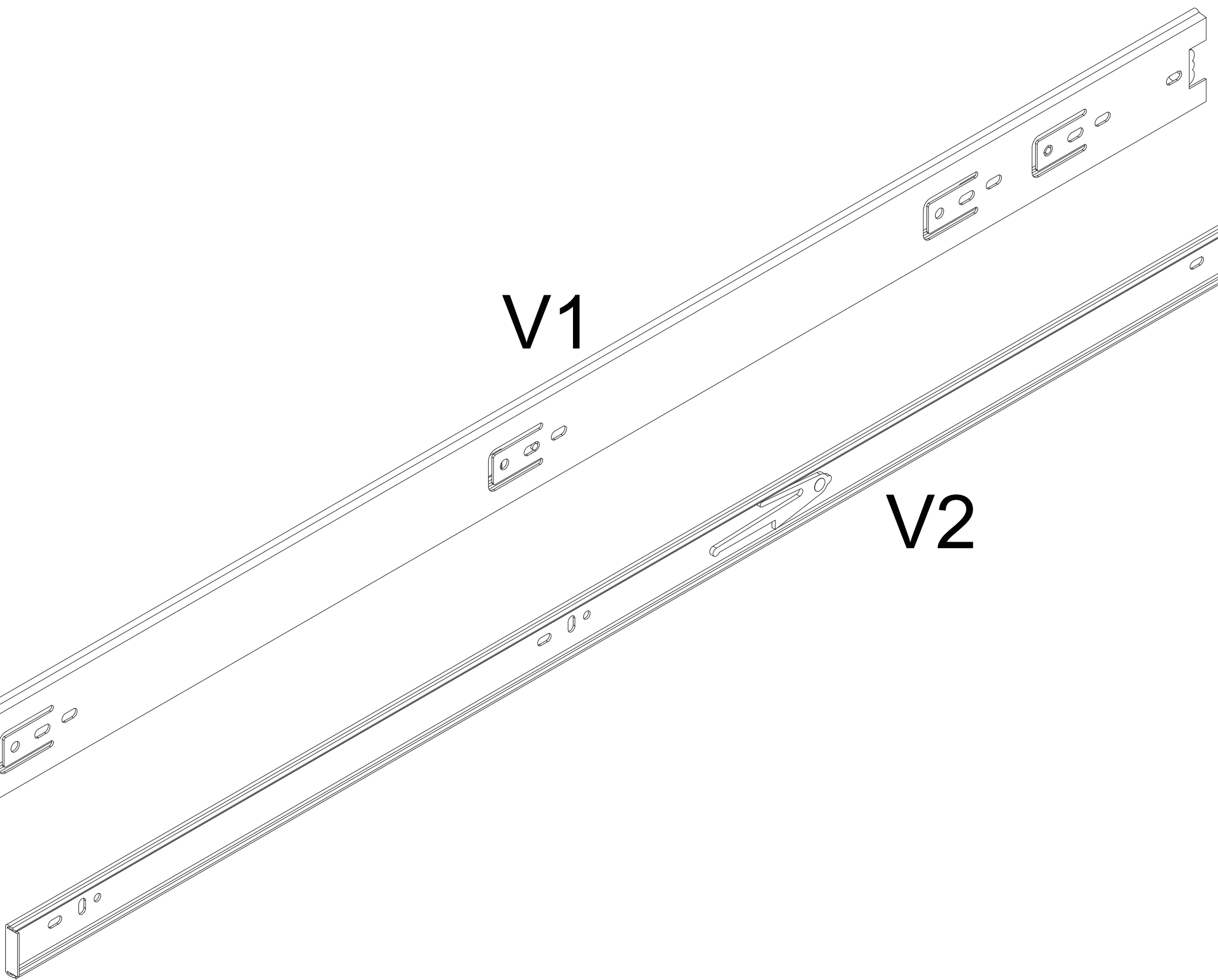
NO.	PARTS	QTY
33		x1
34		x2
35		x1
36		x1
37	 L=430mm	x3
38	 L=409mm	x3
38	 Hardware kit	x1



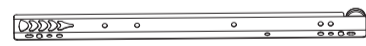

BOX:N707P455600

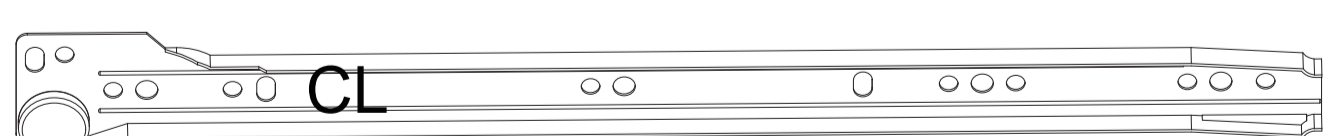
NO.	PARTS	QTY
⑥		x1
⑦		x1
⑧		x1
⑨		x1
⑱		x2
⑳		x2
㉒		x3

NO.	PARTS	QTY
㉔		x3
㉕		x3
㉖		x3
㉓		x3

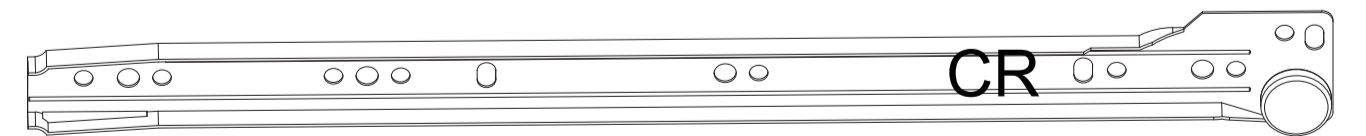
Hardware

A x106+5 Ø6x35mm 	B x106+5 Ø15x10mm 	C x59+5 Ø6x30mm 	D x32+3 Ø5x38mm 	E x8+1 	F x3 	G x4 
H x5 	I x1 	J x2 	K x1 	L x16+2 	M x2 	N x28+2 M6x12mm 
O x3+1 M4x10mm 	P x2+1 M4x16mm 	Q x34+3  Ø3x16mm 	R x4 	S x24+3 3.5x14mm 	T x48+5 3x12mm 	U x1 
						V x2 L=800mm 

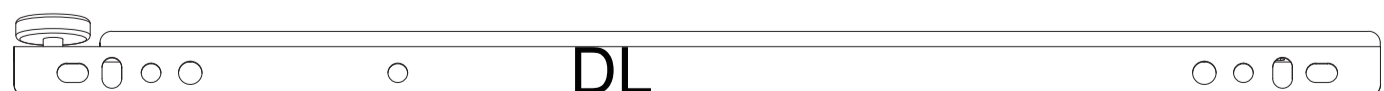
 CL X3 350MM	 CR X3 350MM
 DL X3 350MM	 DR X3 350MM



CL



CR



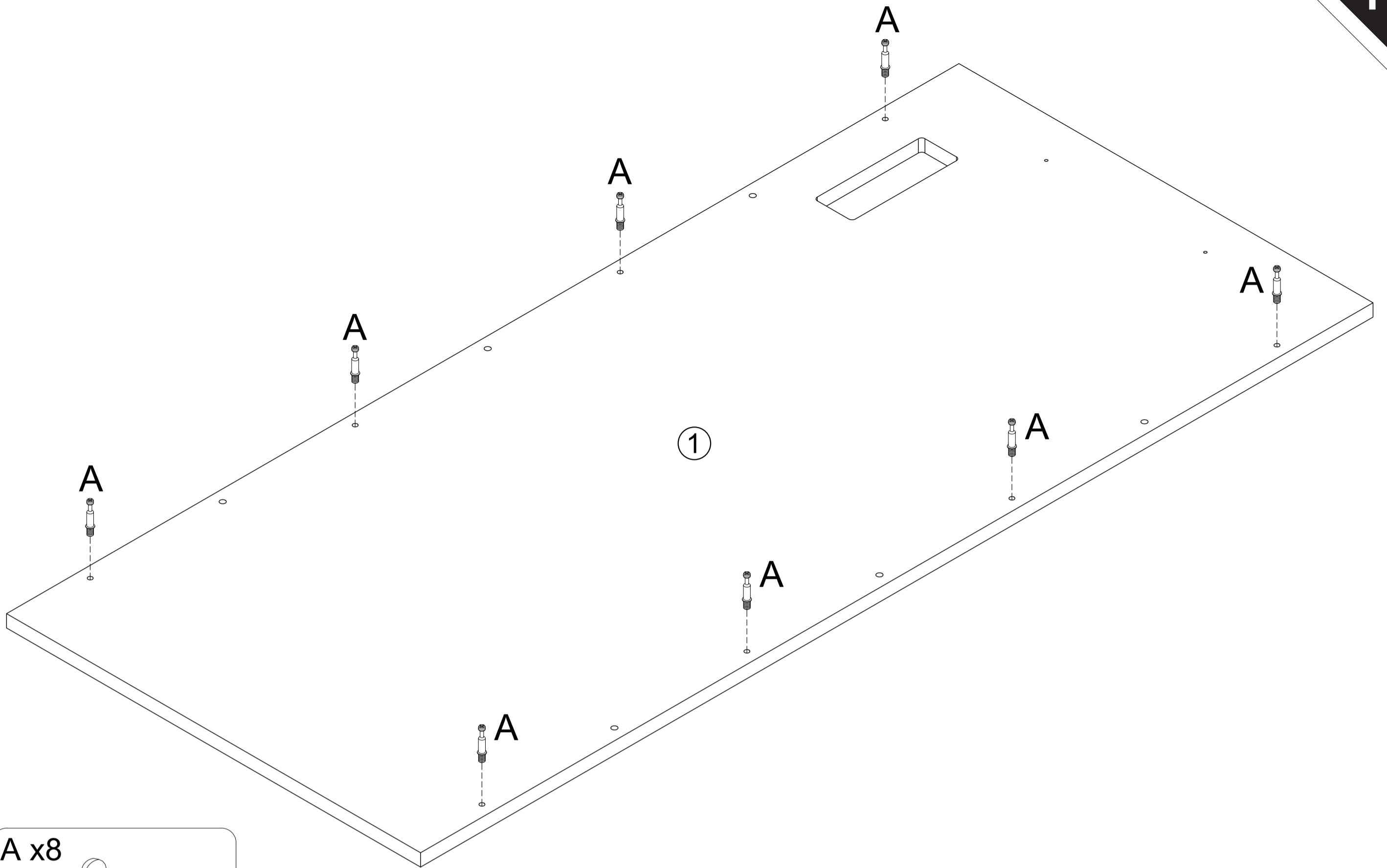
DL



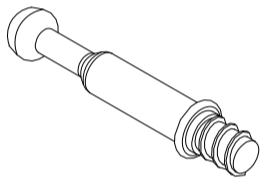
DR

Assembly Steps

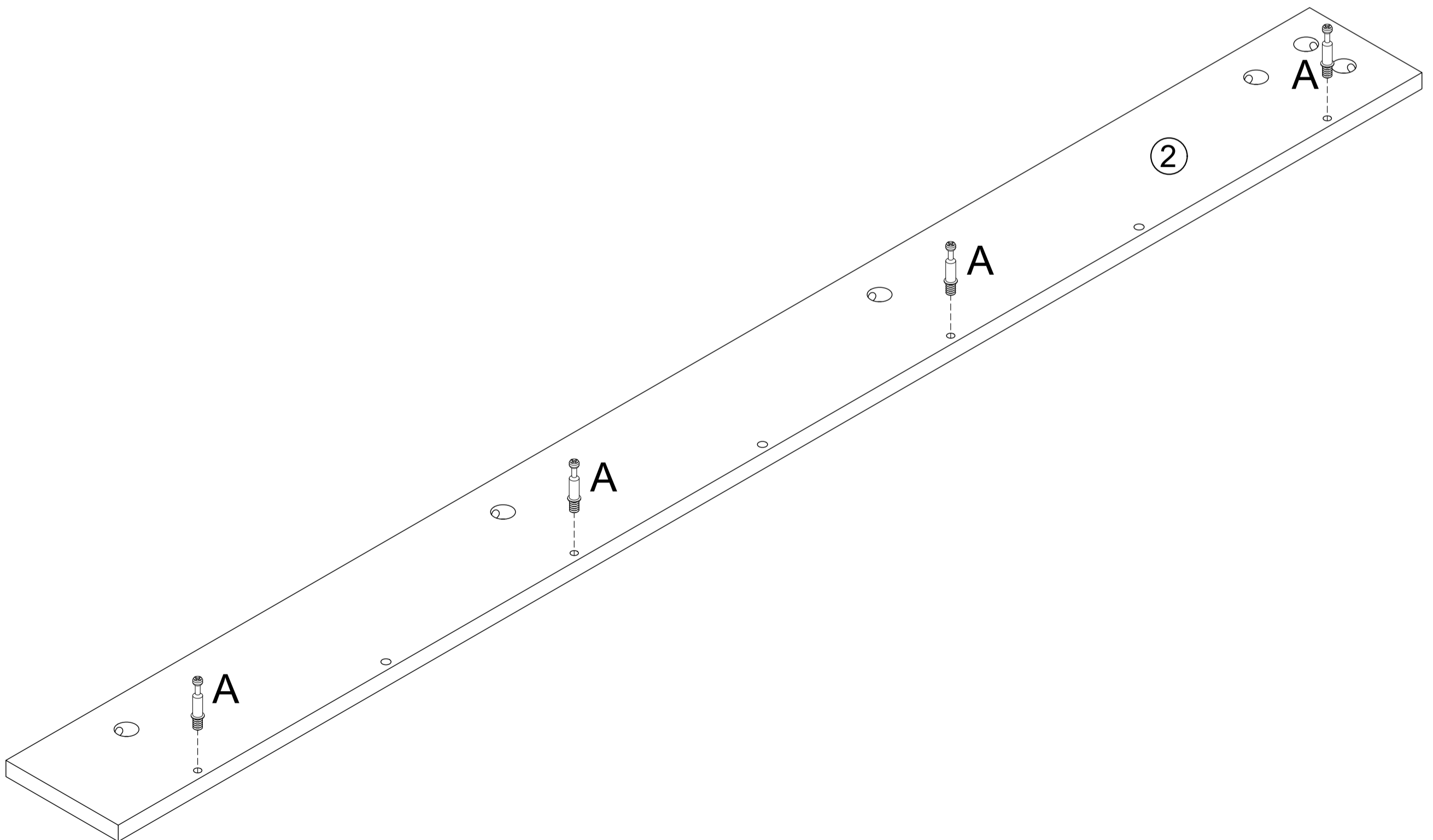
1



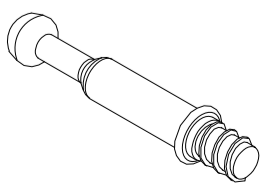
A x8
Ø6x35mm

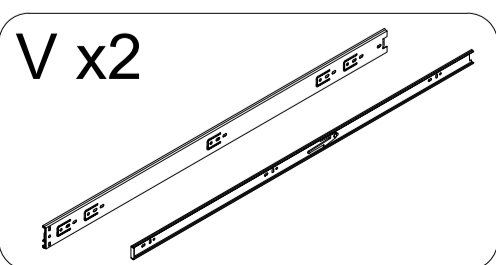
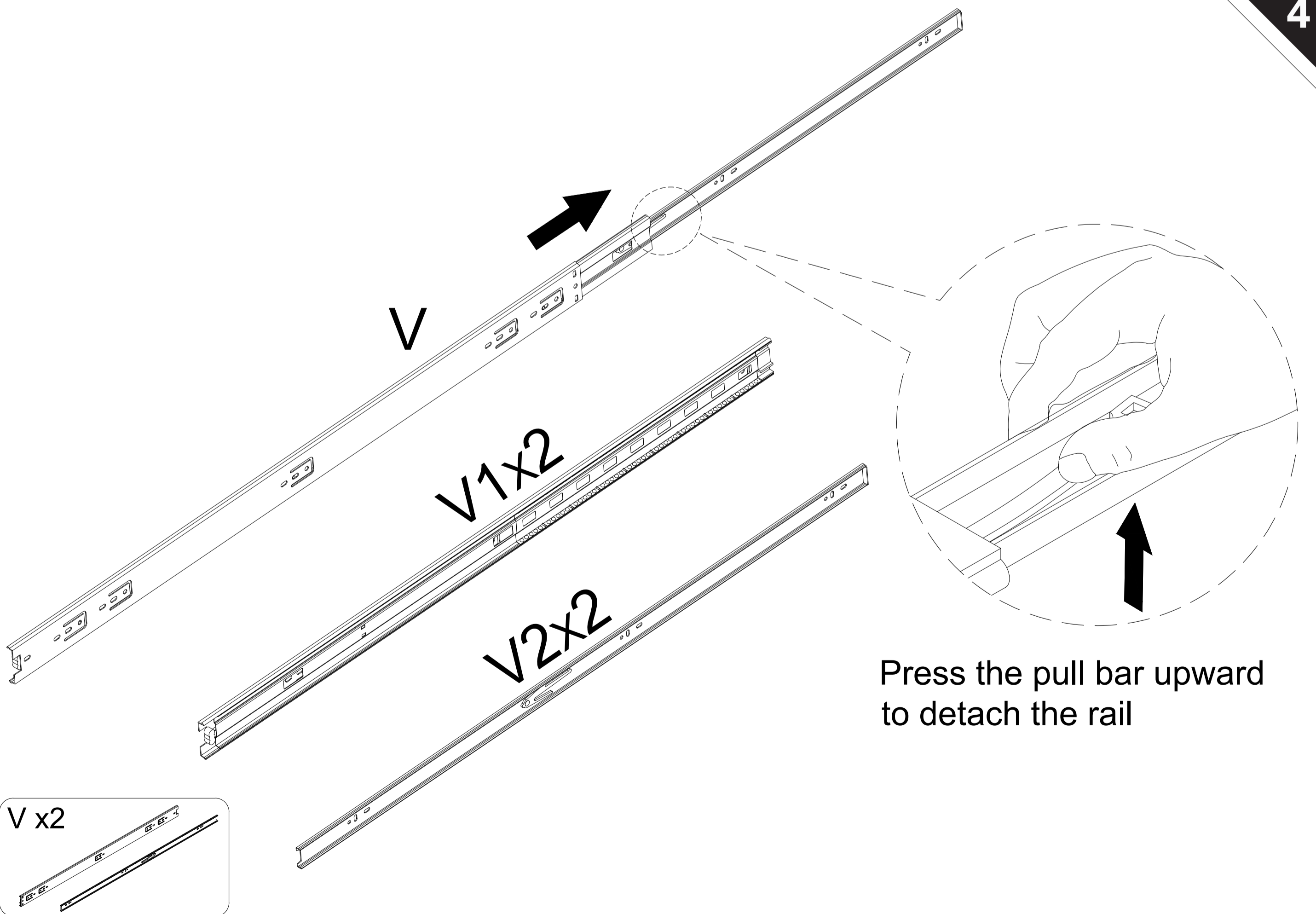
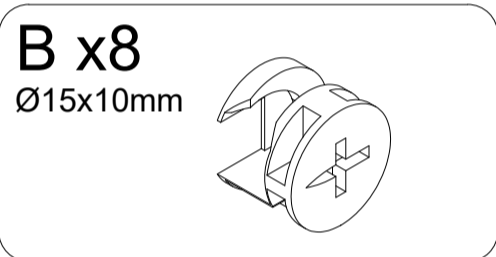
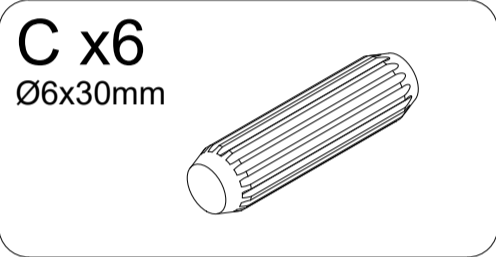
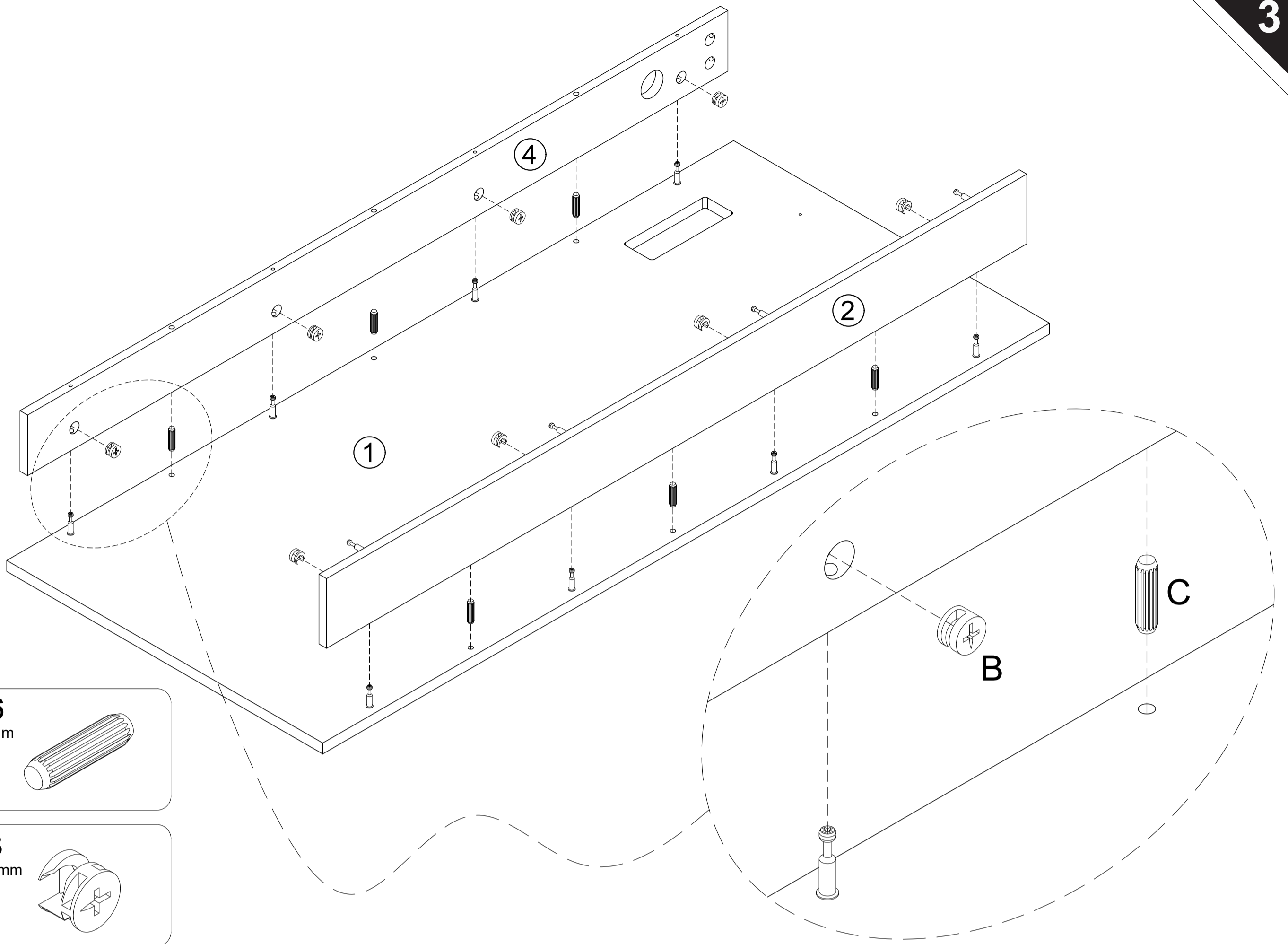


2

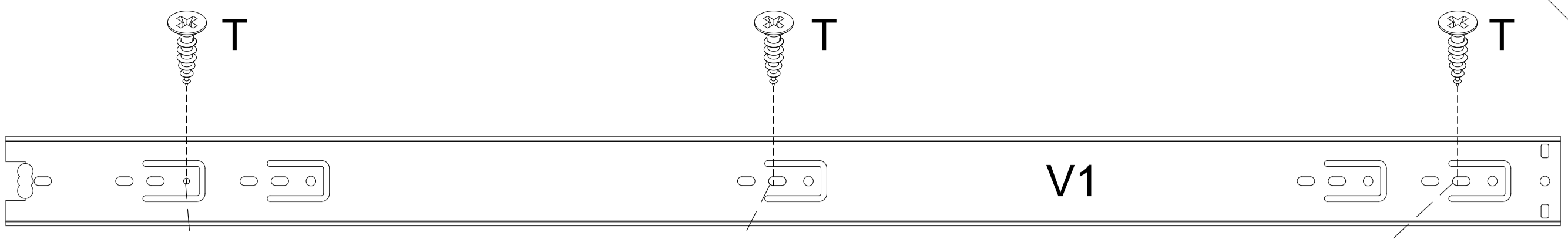


A x4
Ø6x35mm



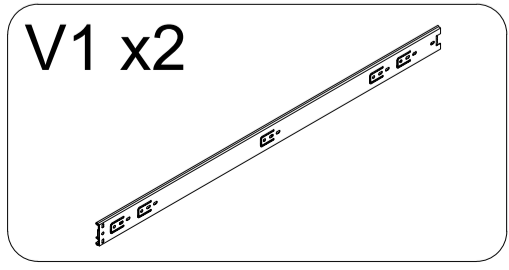
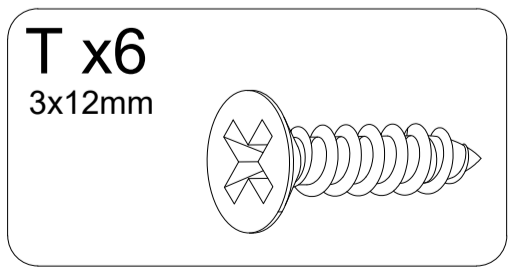
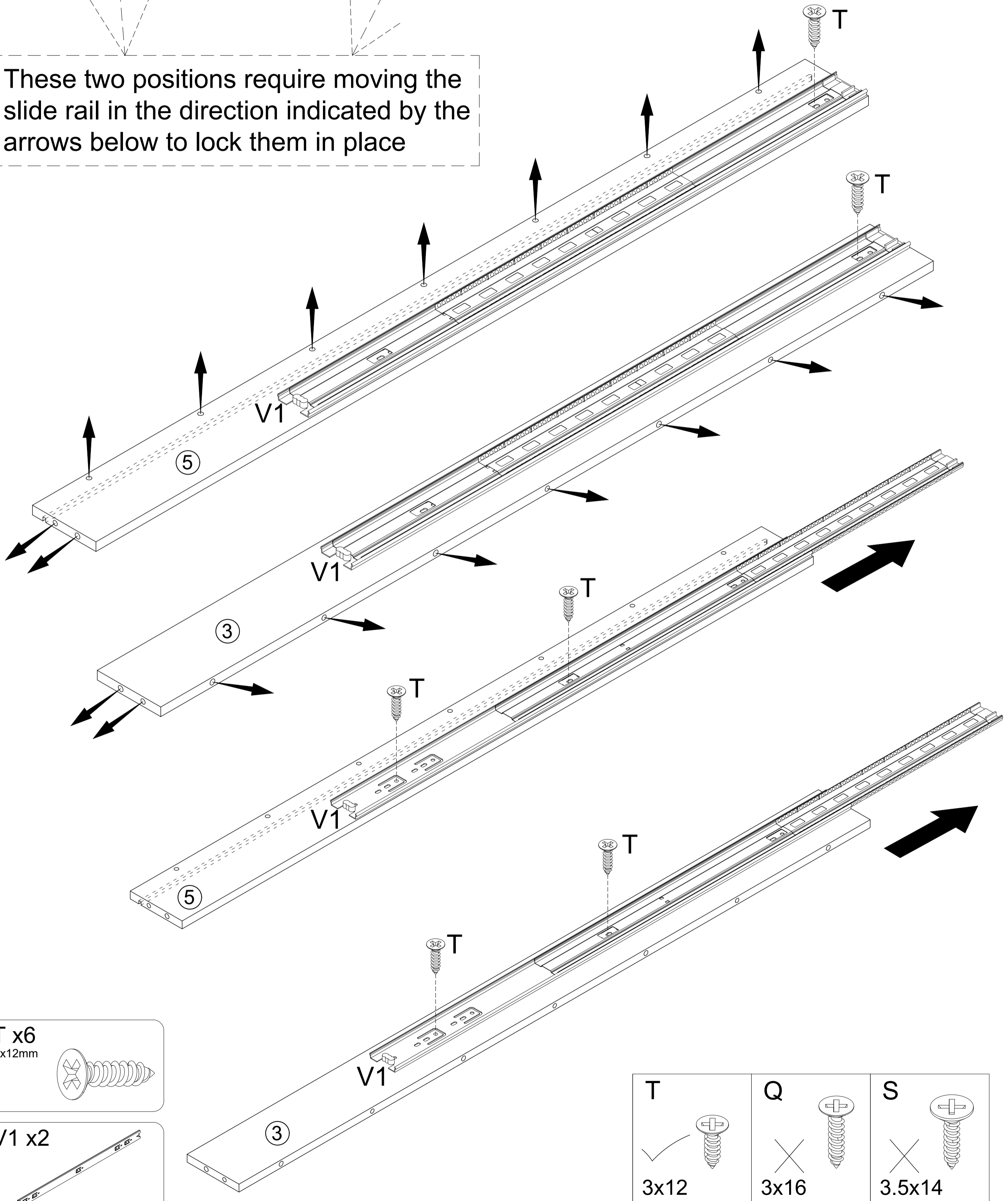


Press the pull bar upward to detach the rail

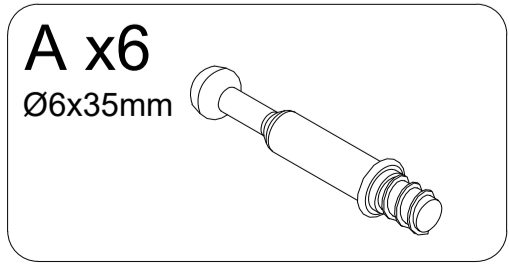
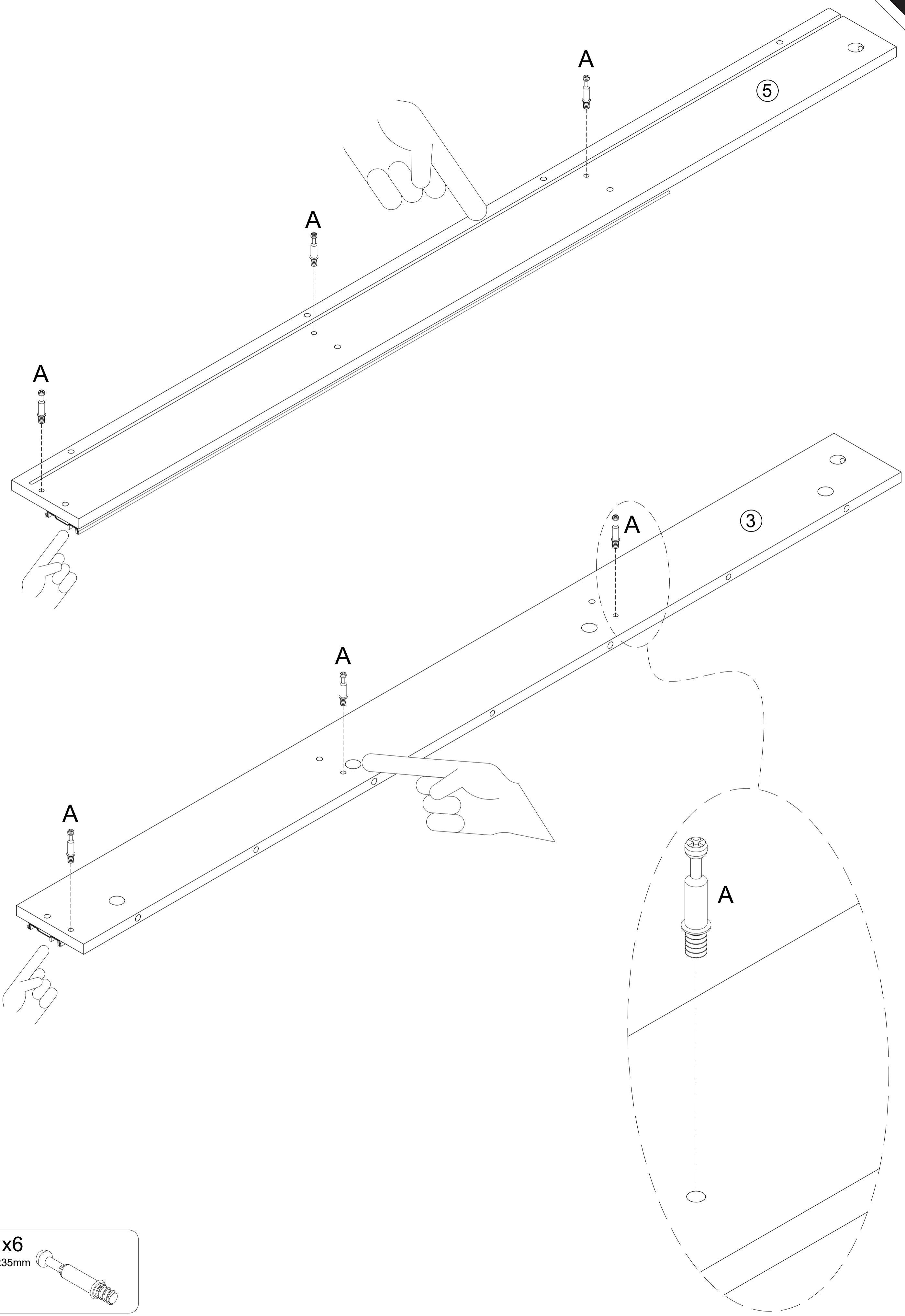


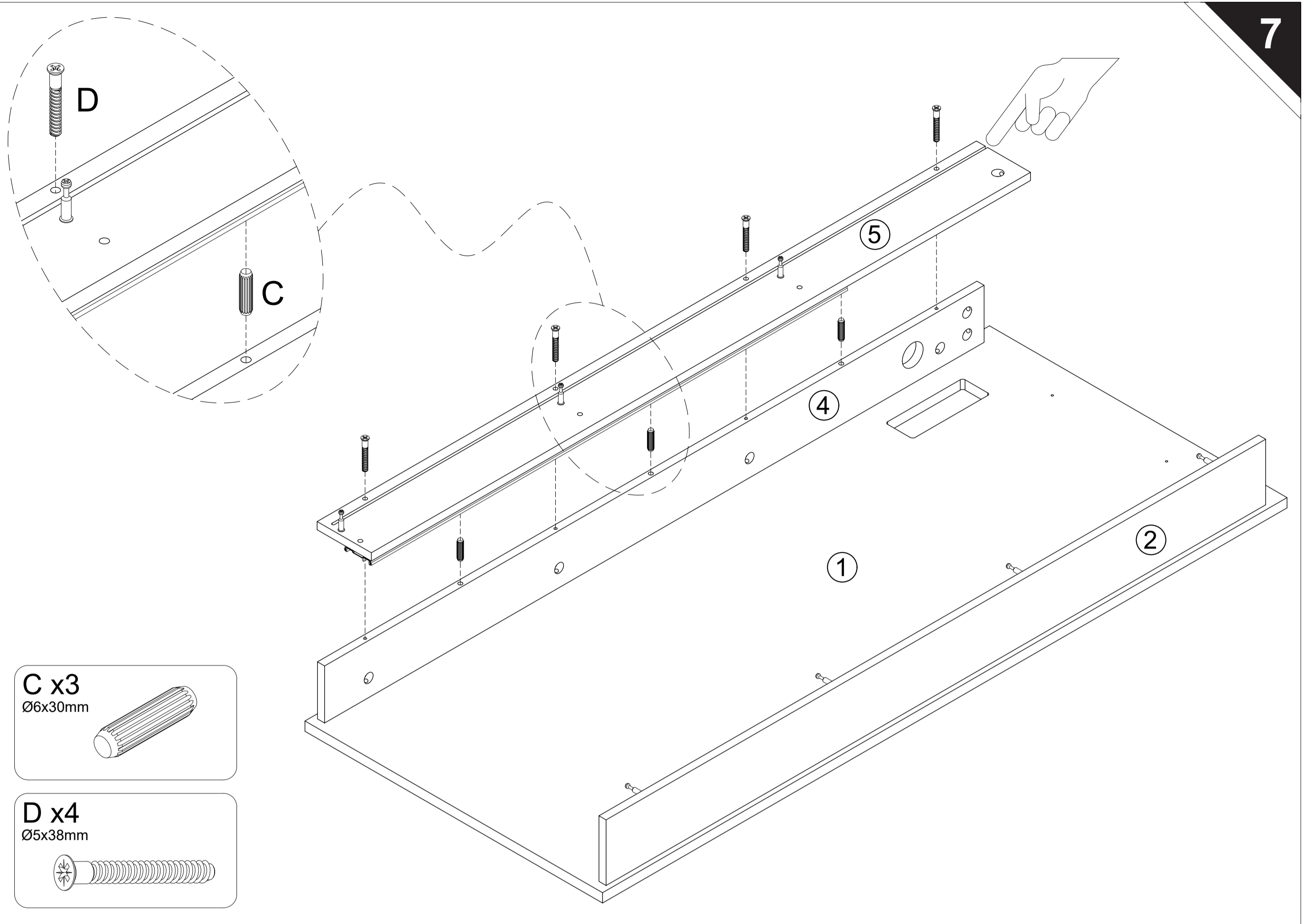
Lock this position first

These two positions require moving the slide rail in the direction indicated by the arrows below to lock them in place

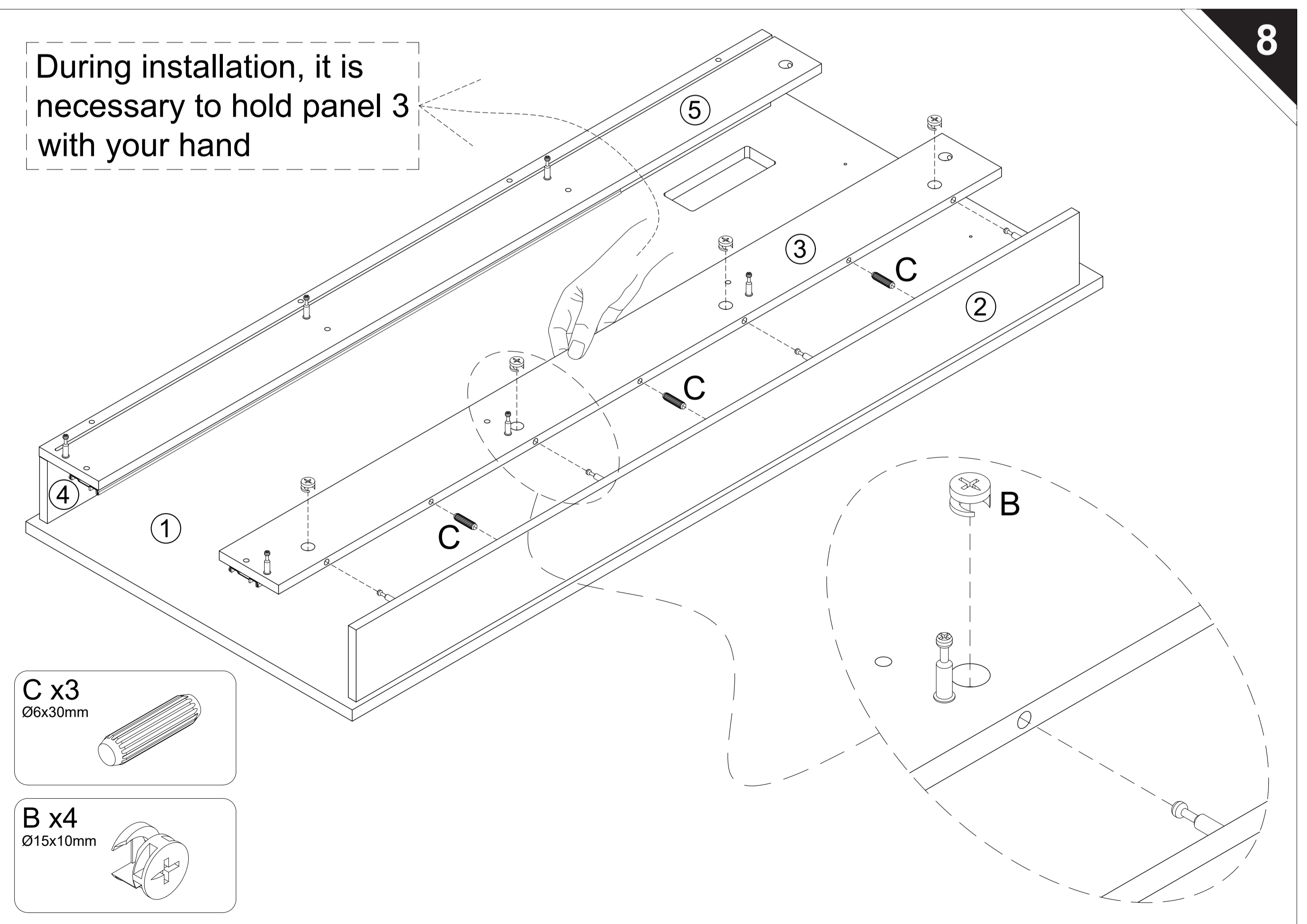


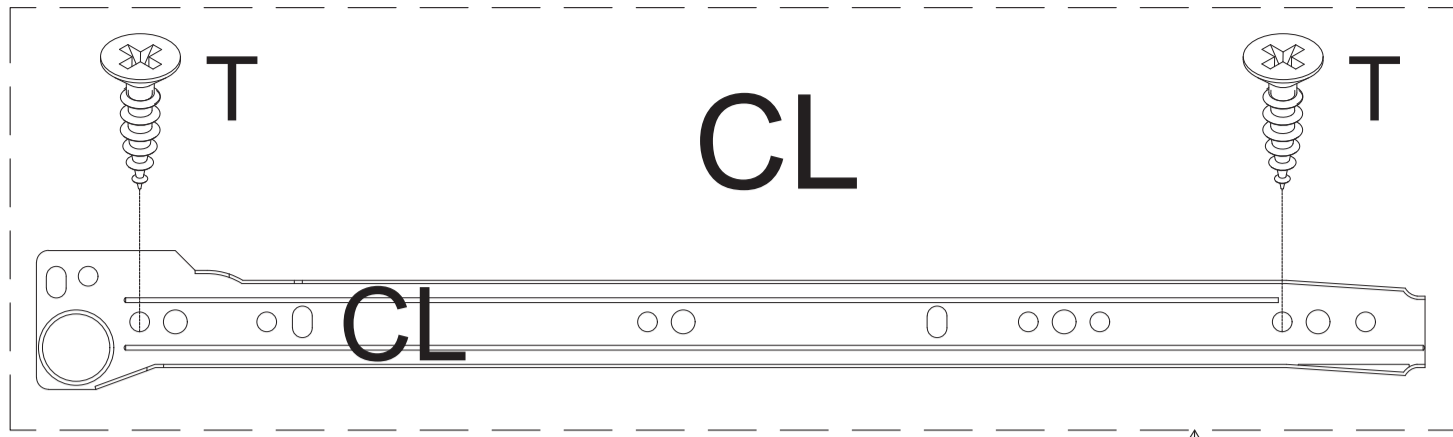
T	Q	S
3x12	3x16	3.5x14



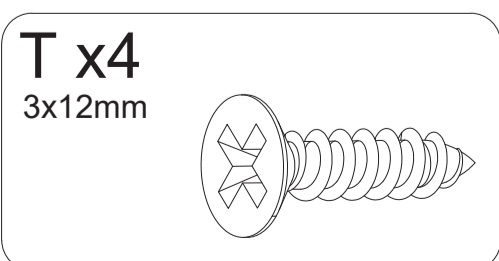
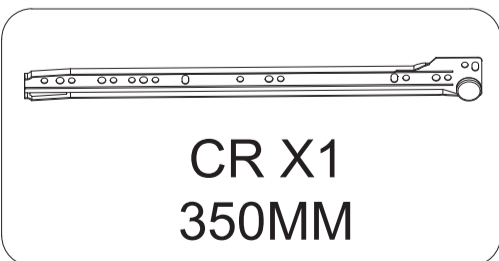
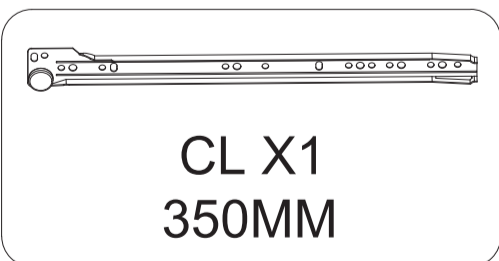
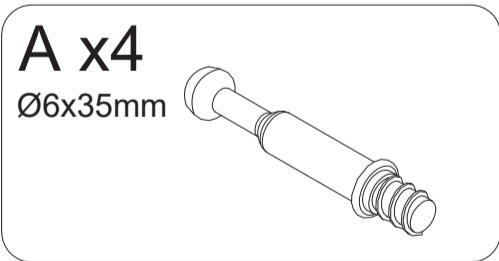
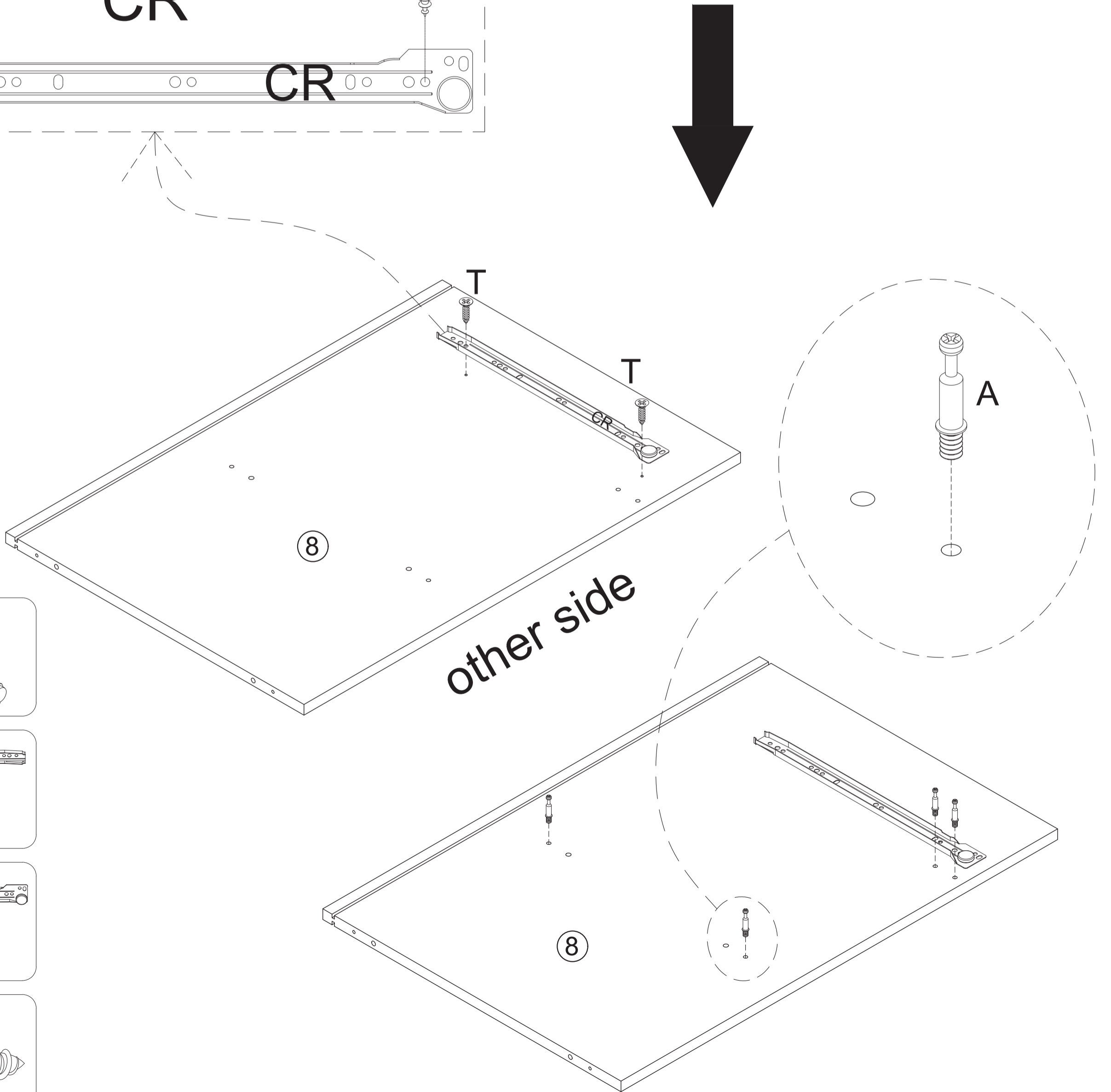
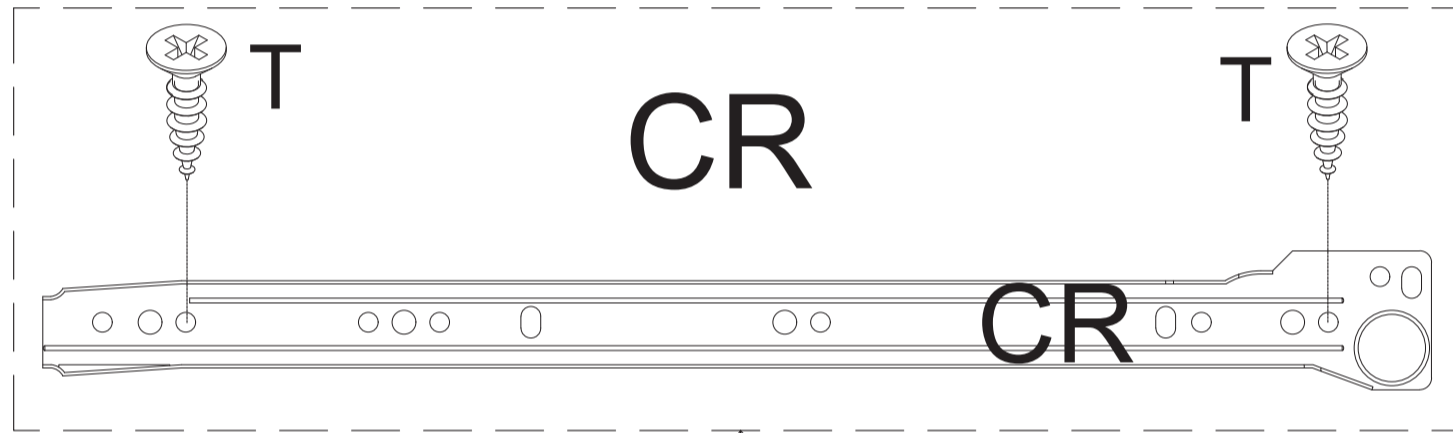
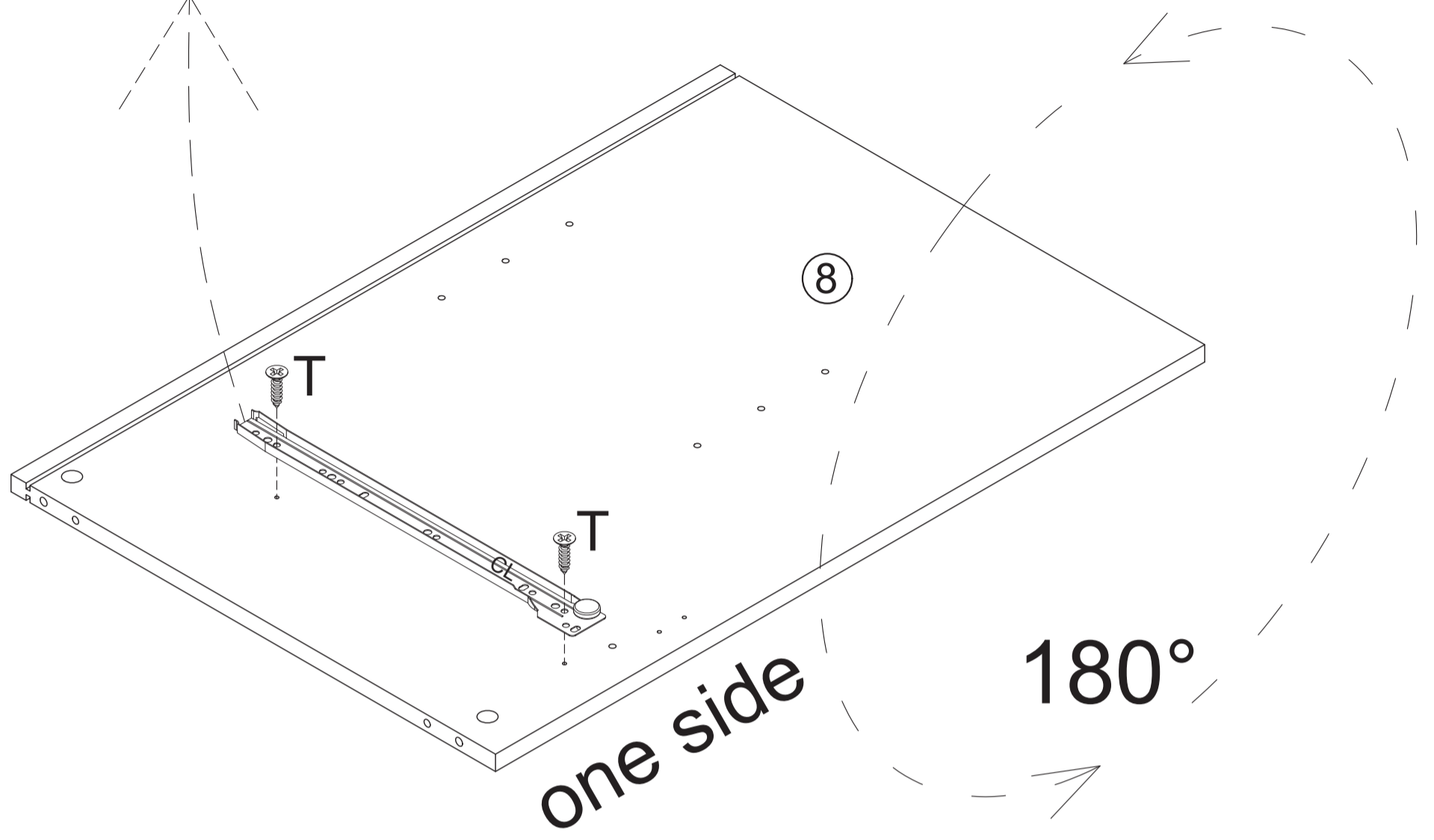


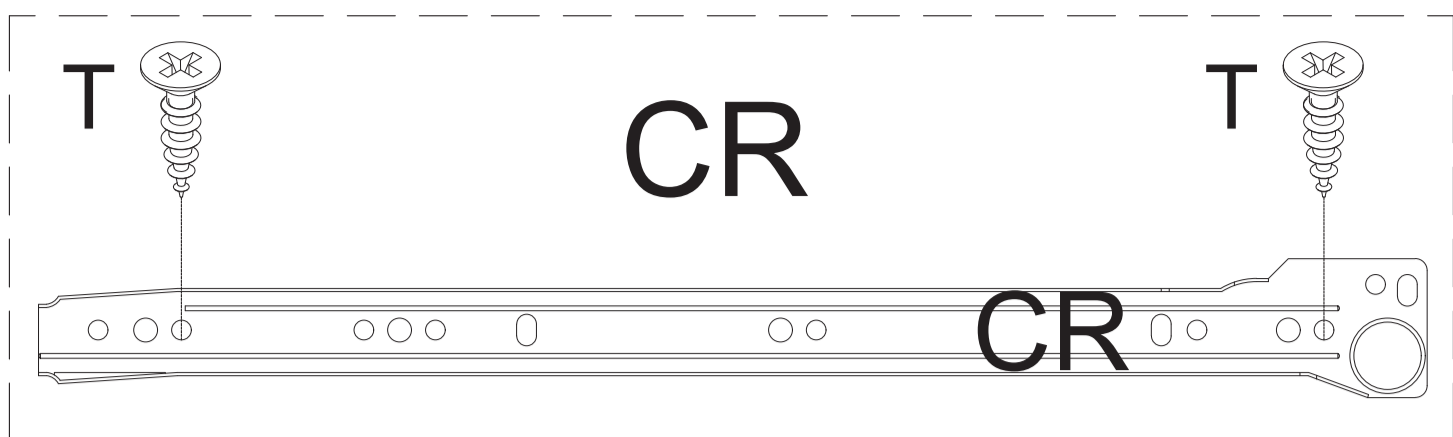
During installation, it is necessary to hold panel 3 with your hand



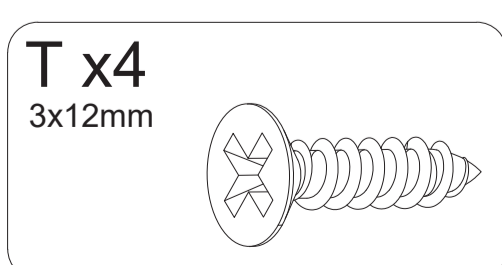
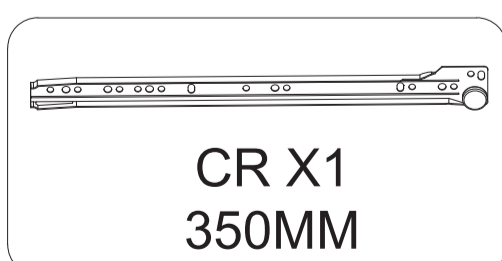
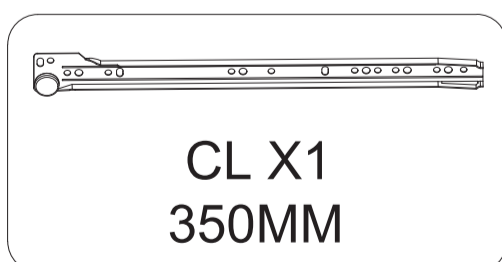
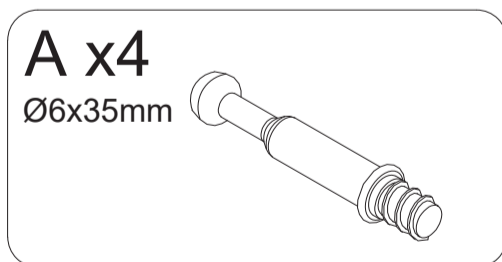
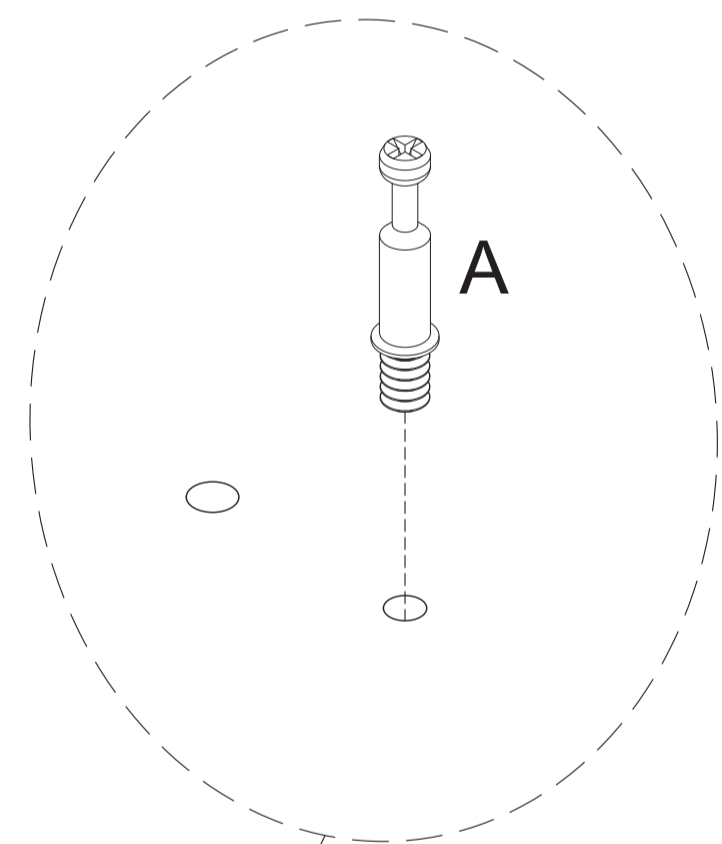
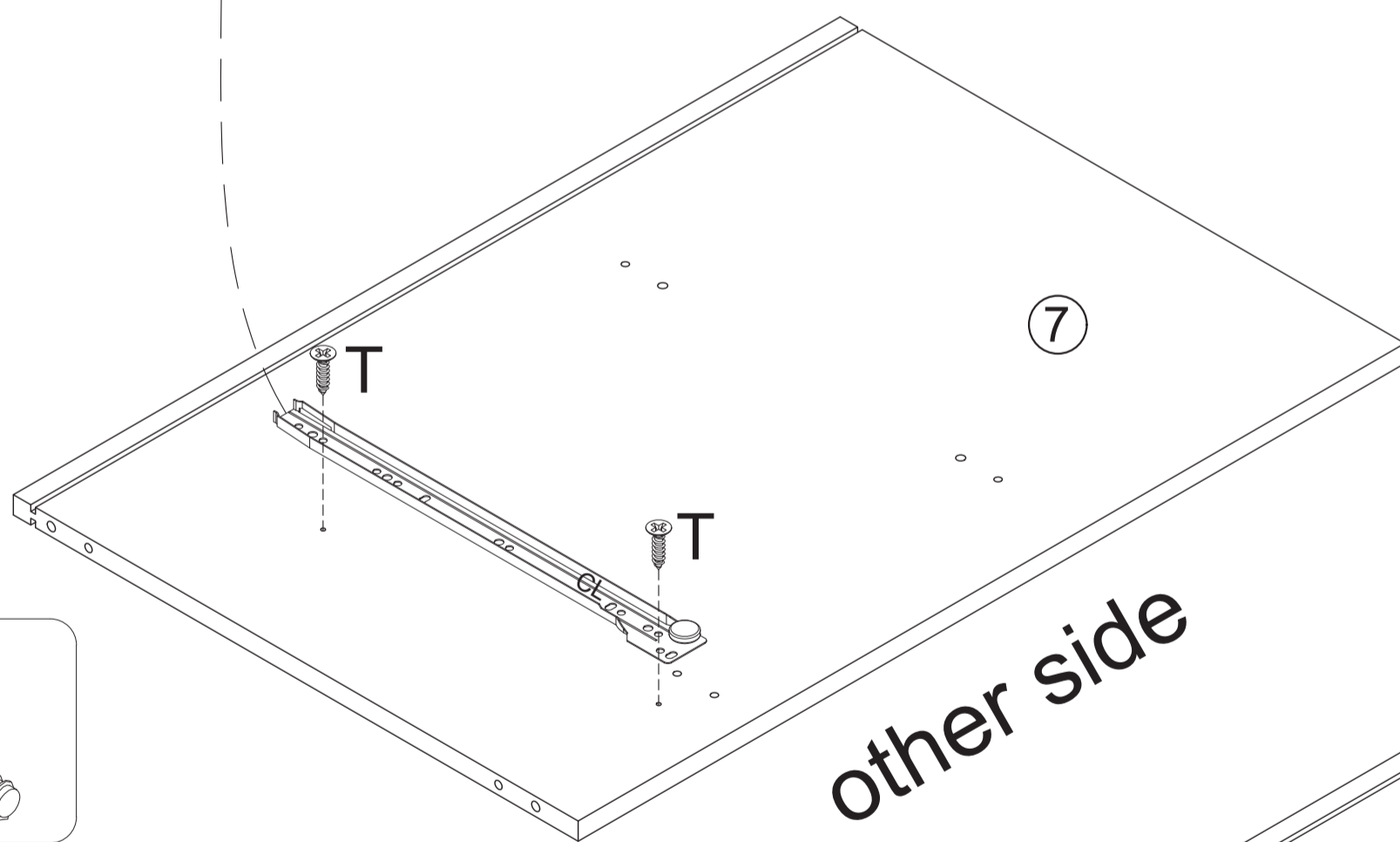
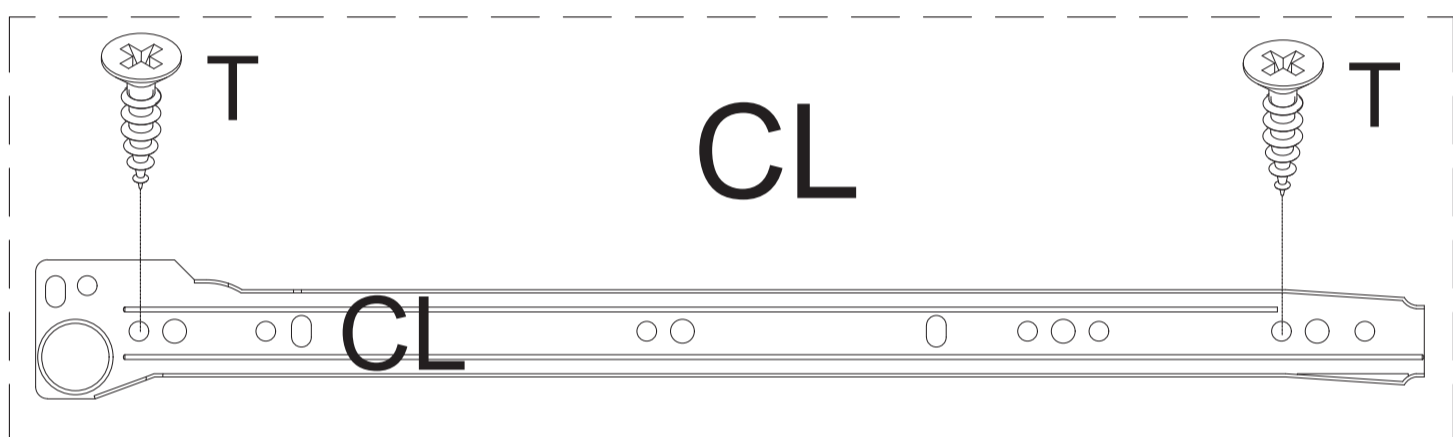
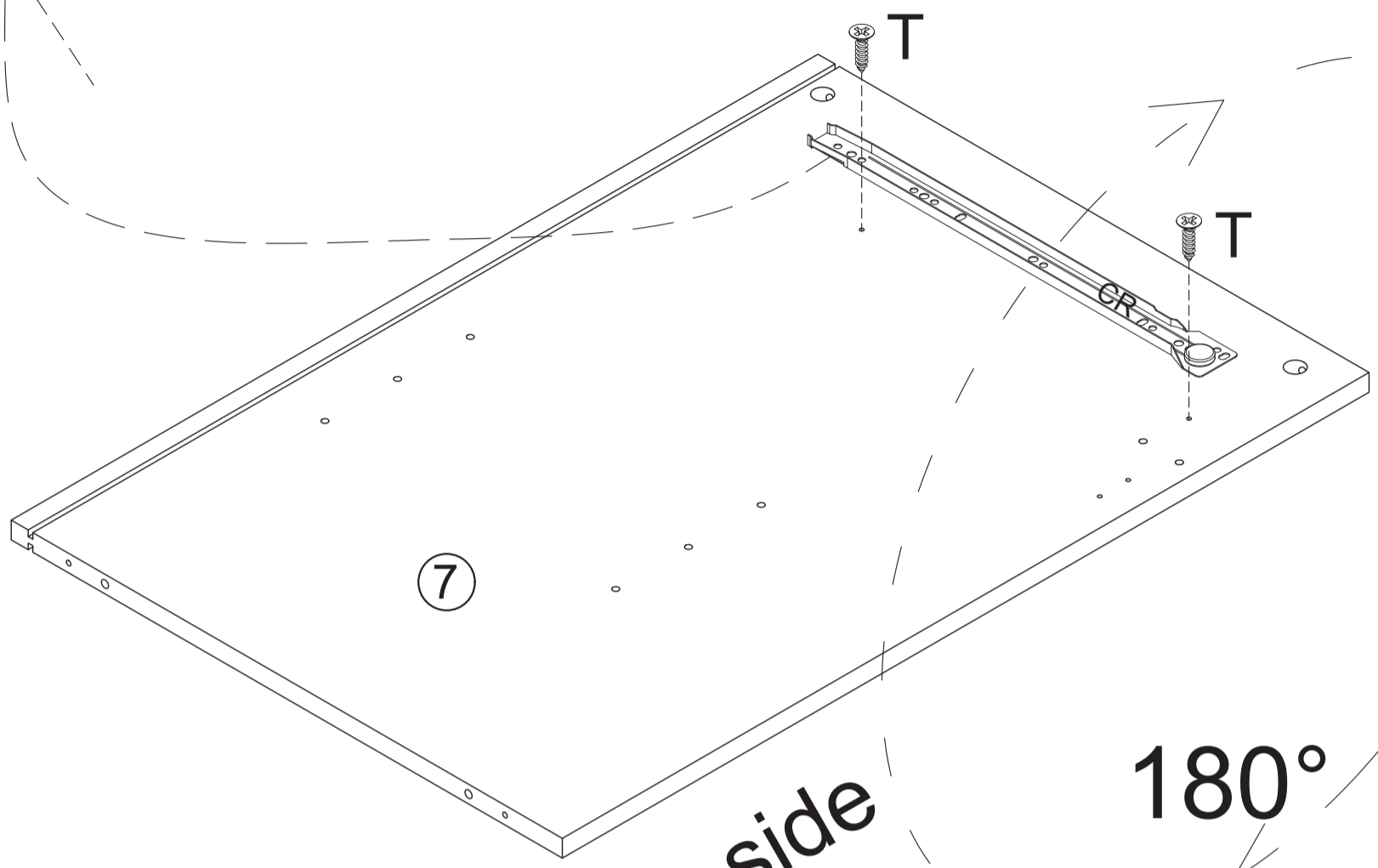


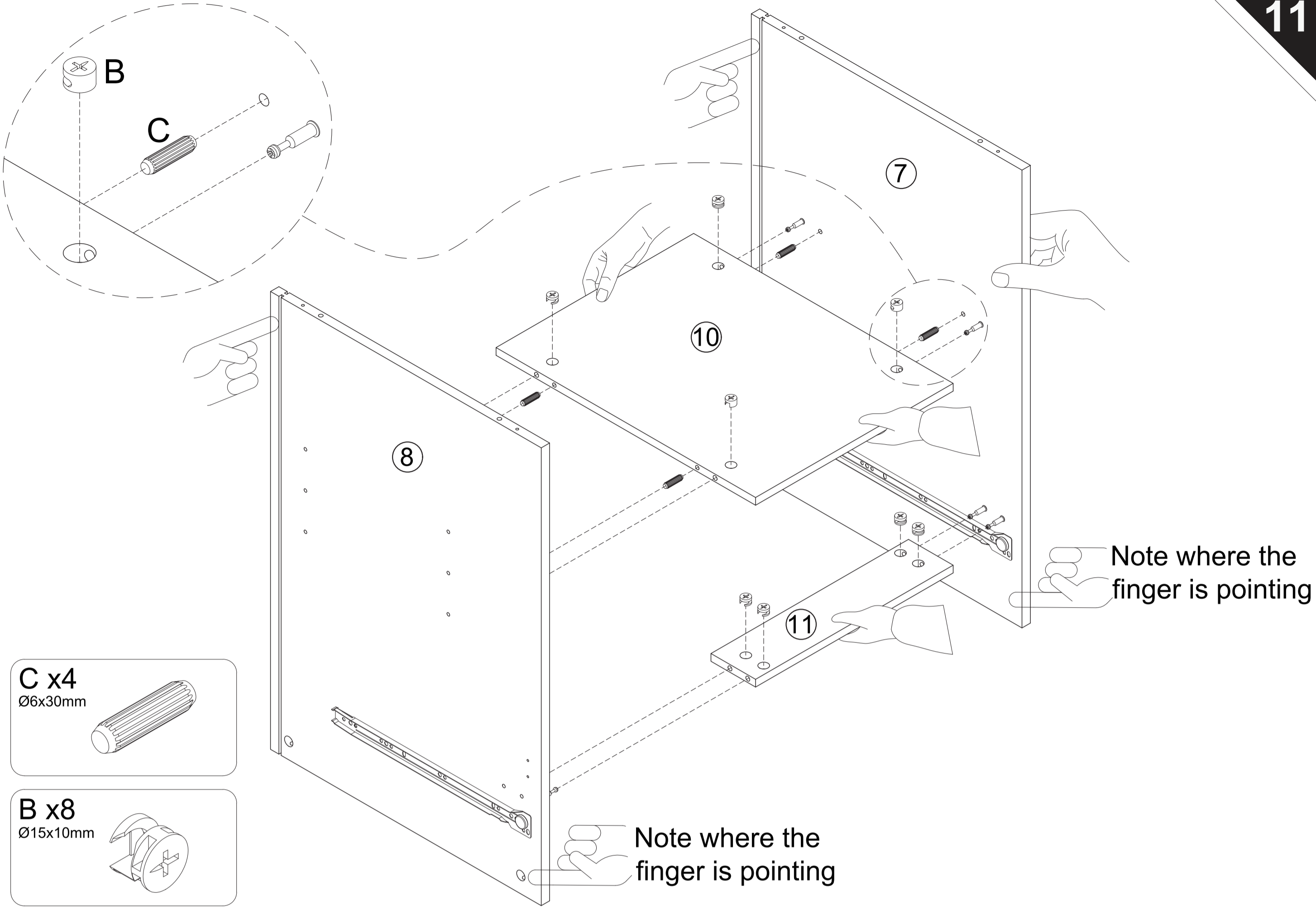
T	Q	S
3x12	3x16	3.5x14





T	Q	S
3x12	3x16	3.5x14



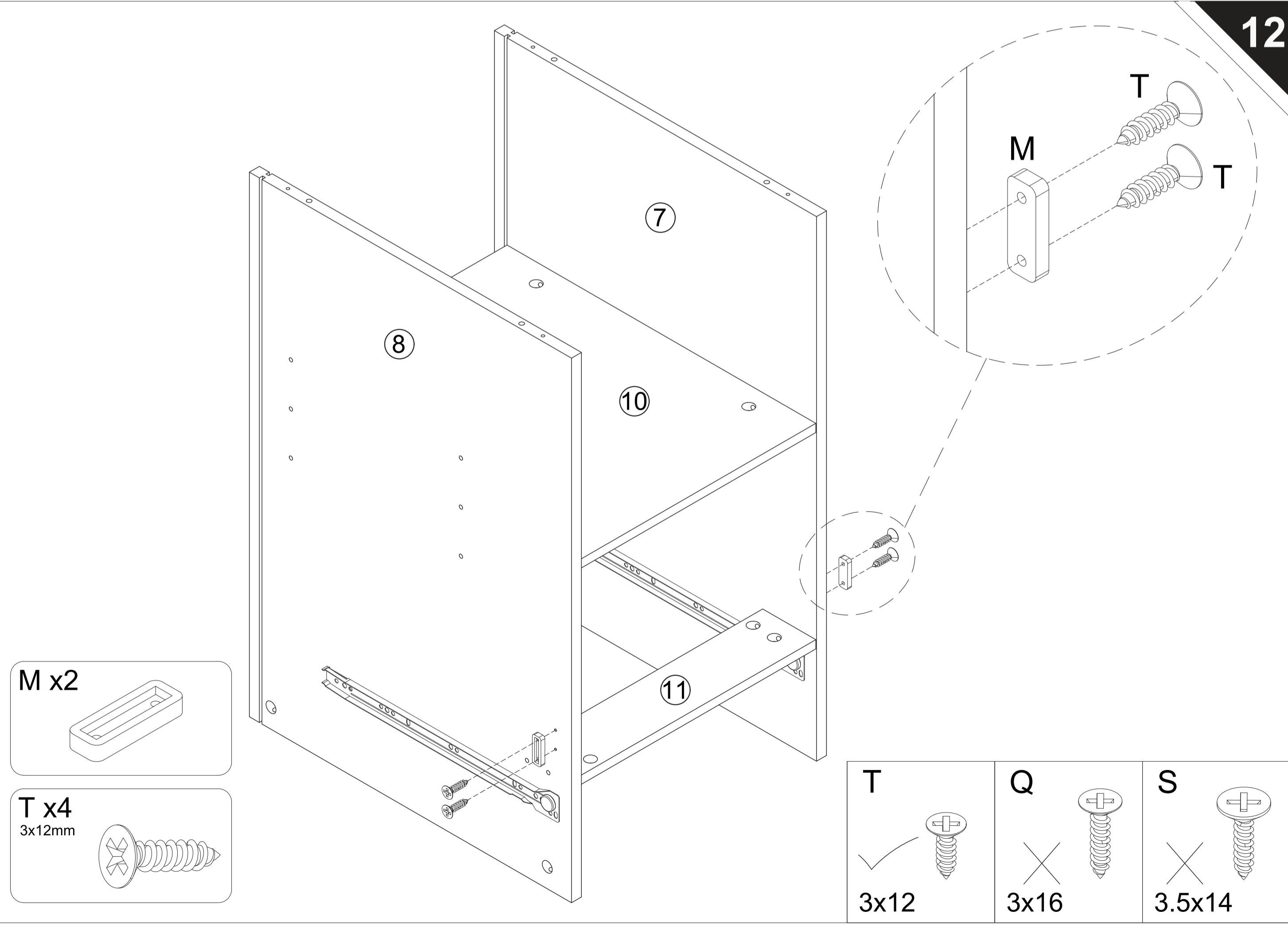


C x4
Ø6x30mm

B x8
Ø15x10mm

Note where the finger is pointing

Note where the finger is pointing



M x2

T x4
3x12mm

T

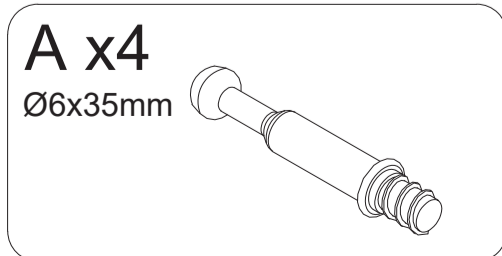
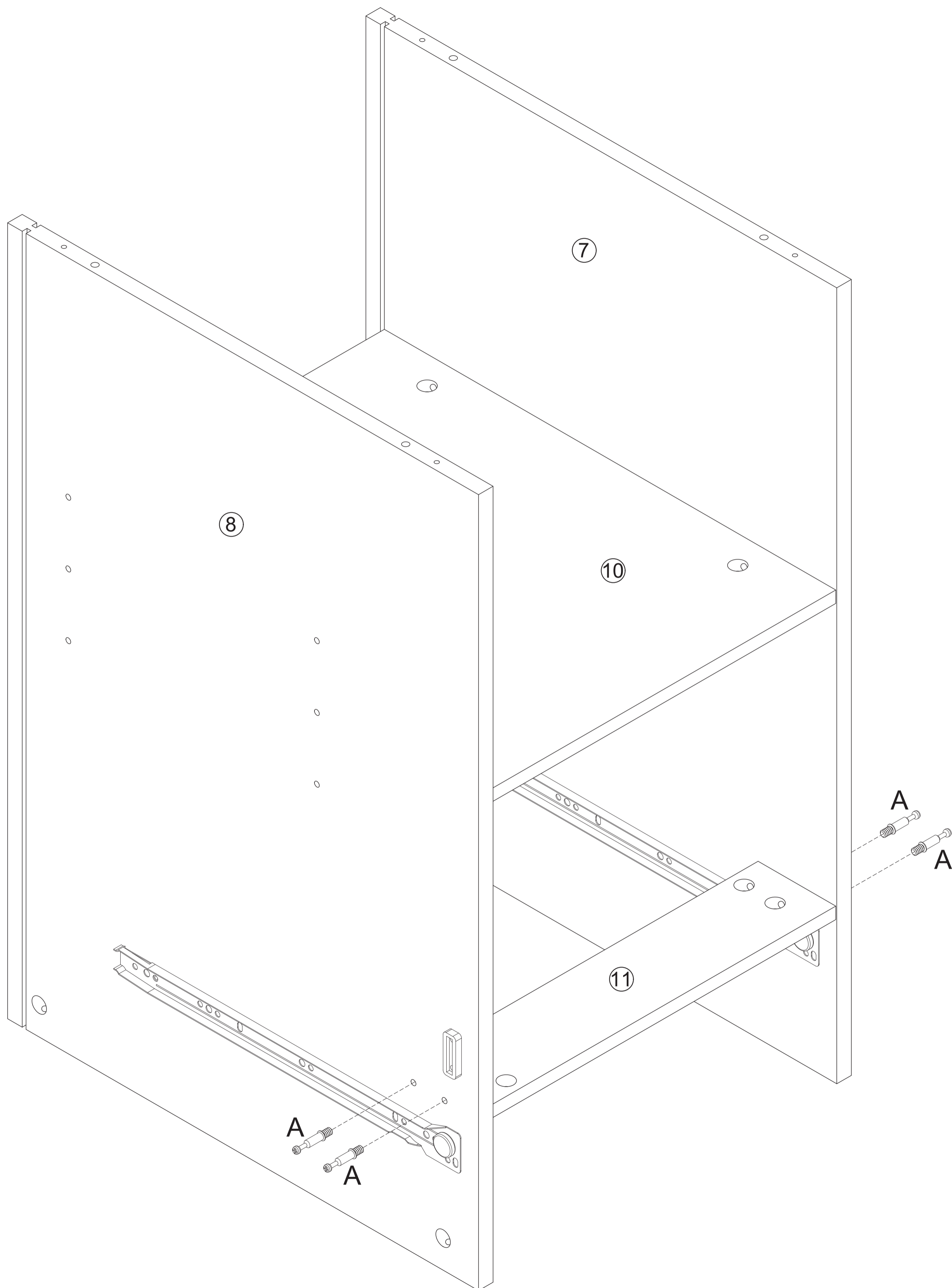
3x12

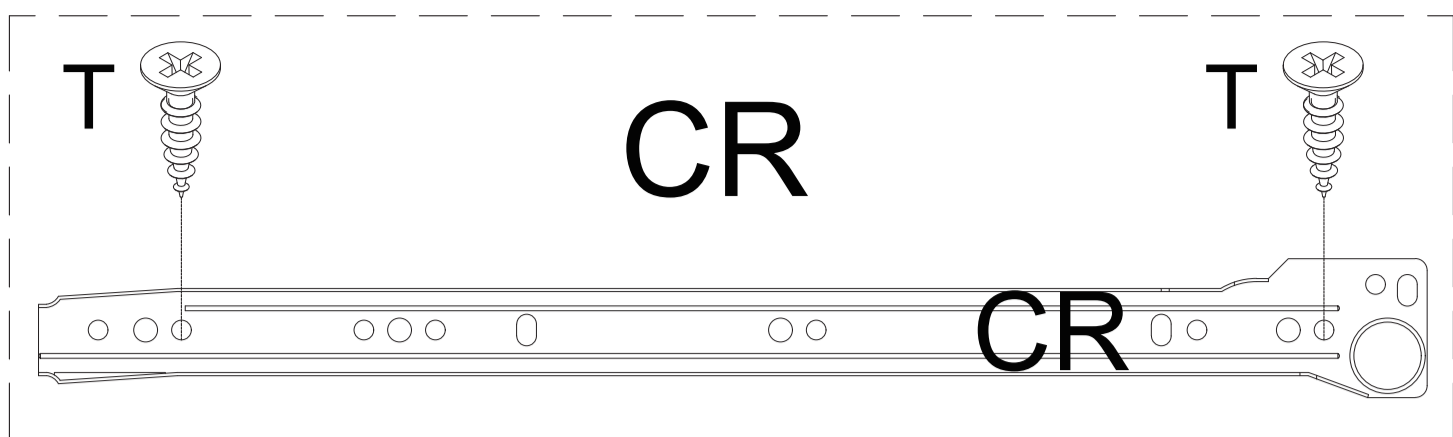
Q

3x16

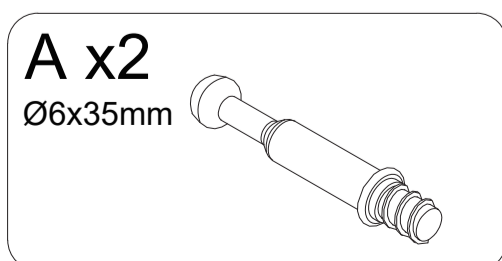
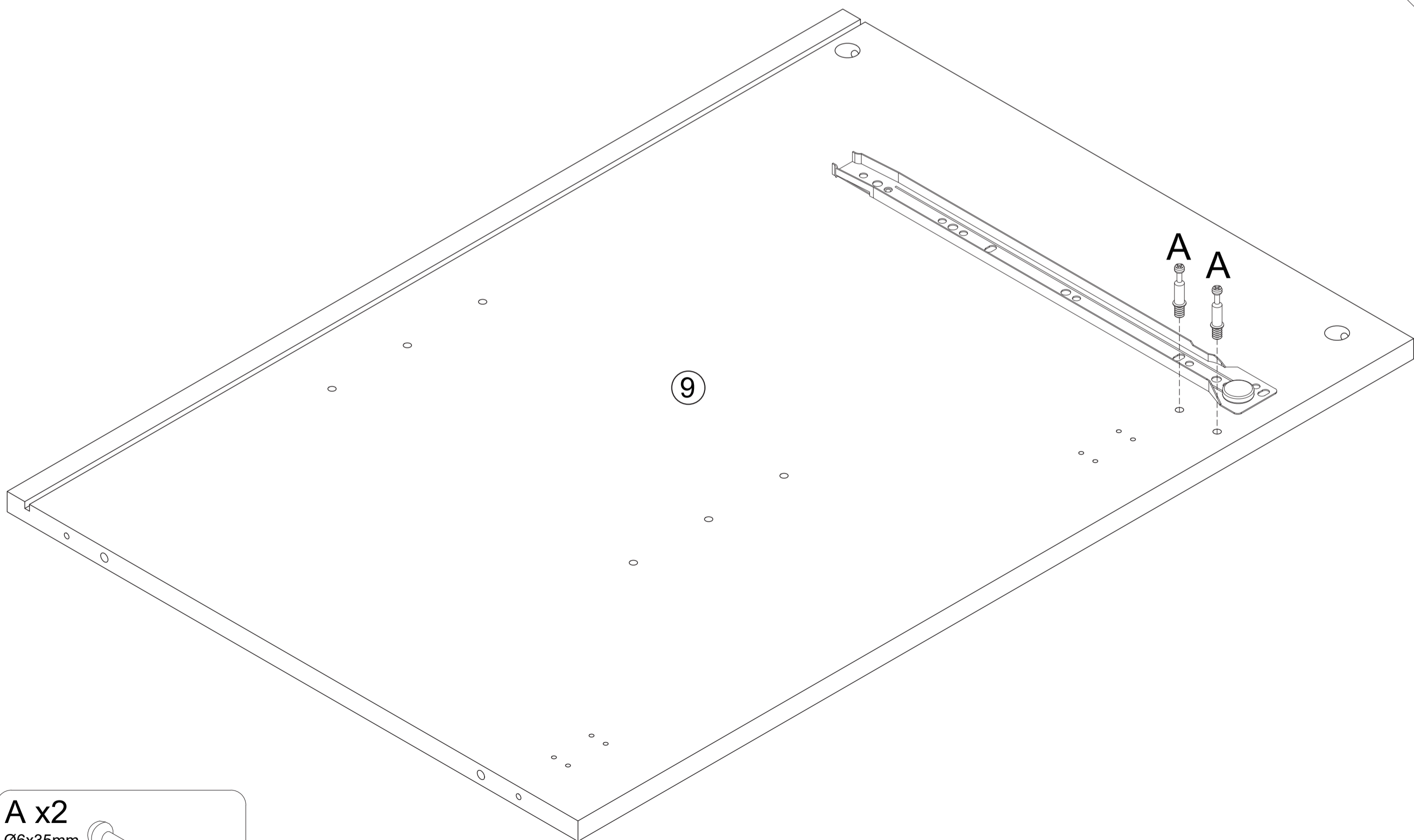
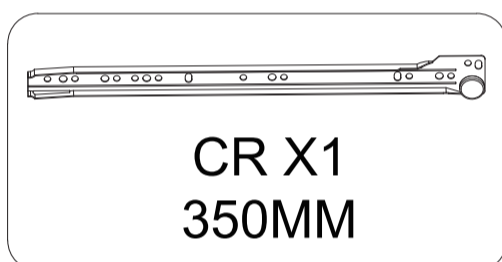
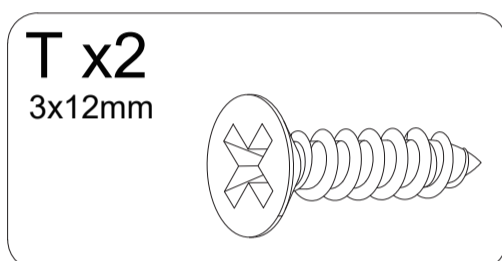
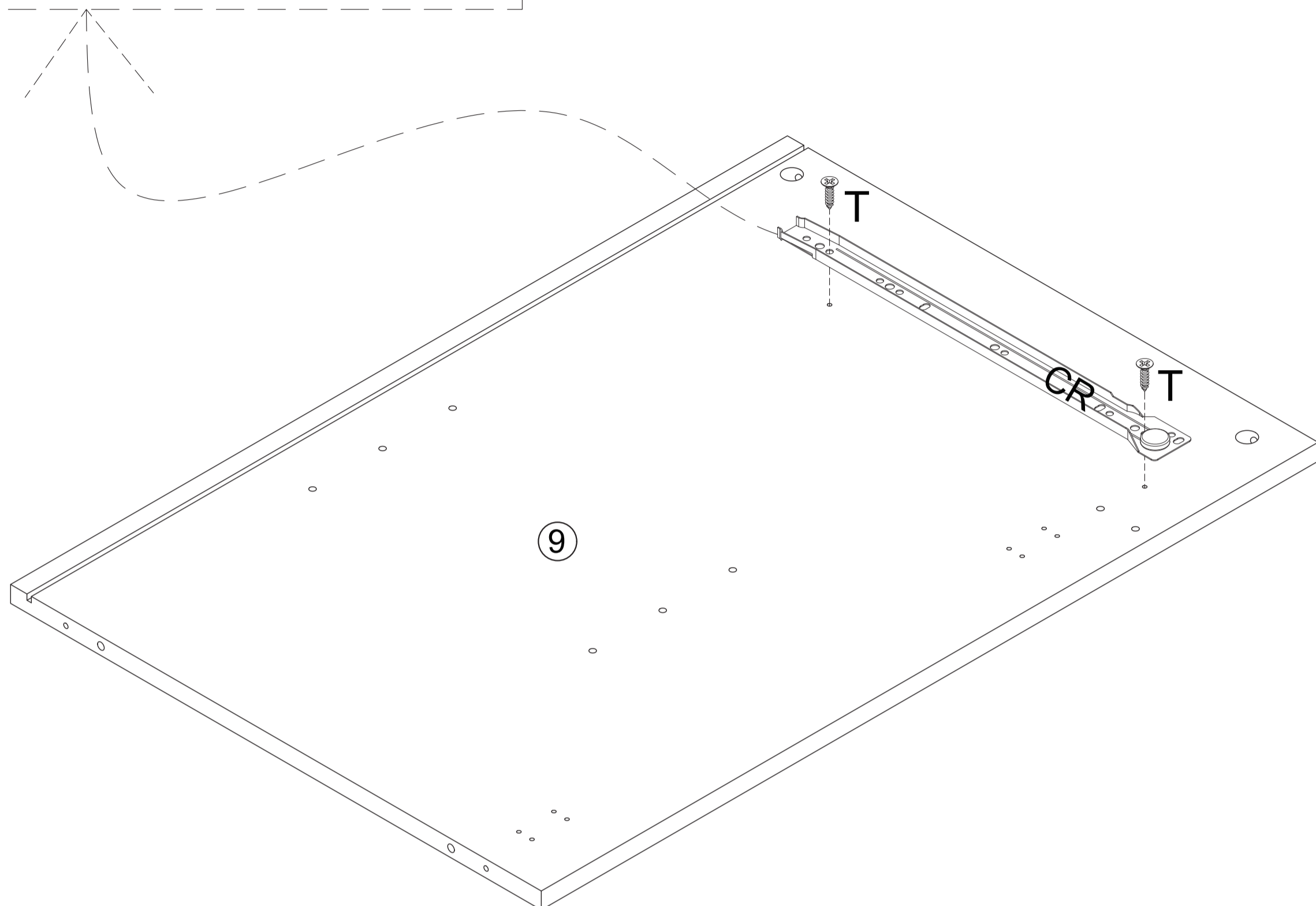
S

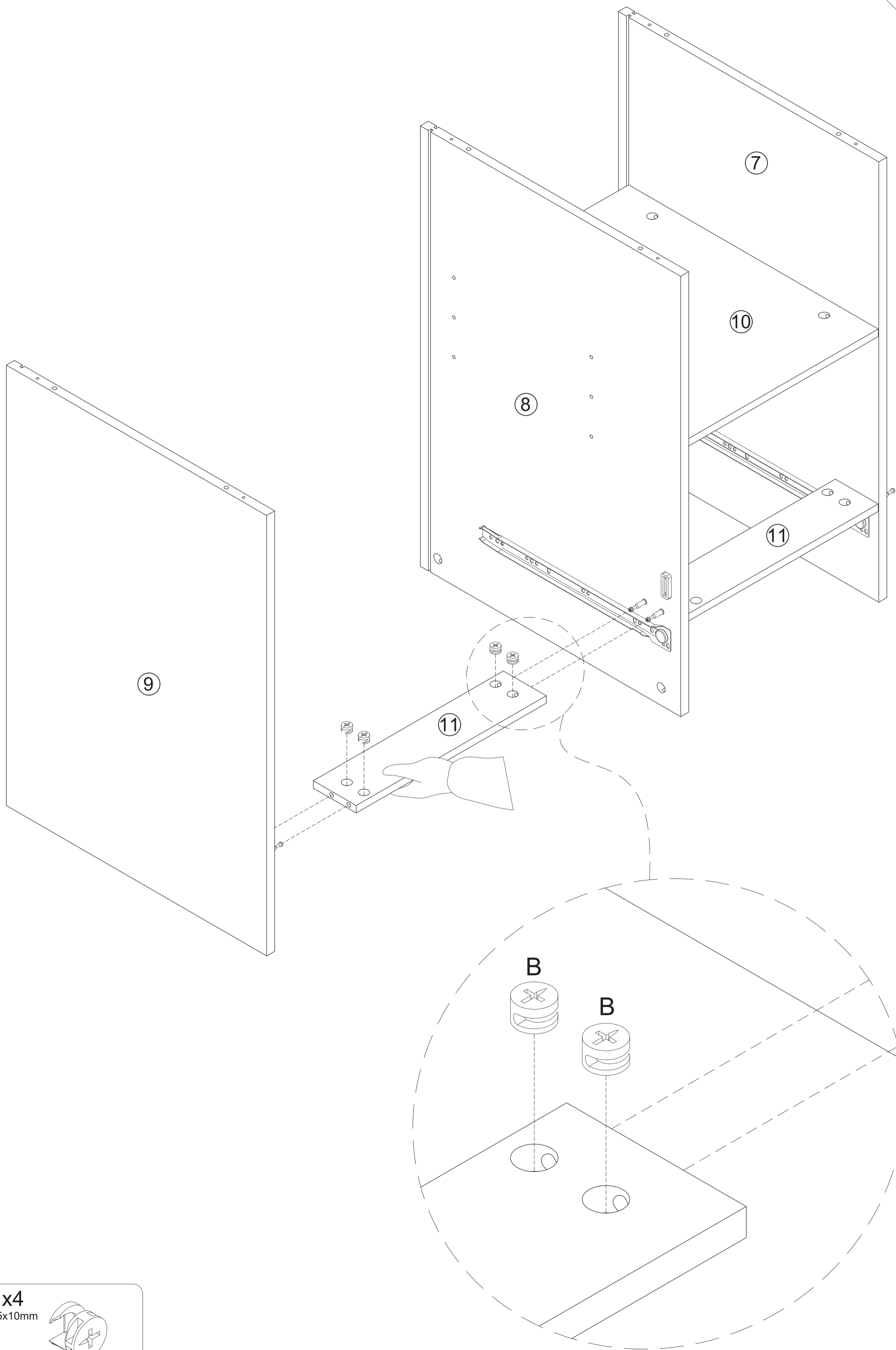
3.5x14





T	Q	S
✓ 3x12	✗ 3x16	✗ 3.5x14

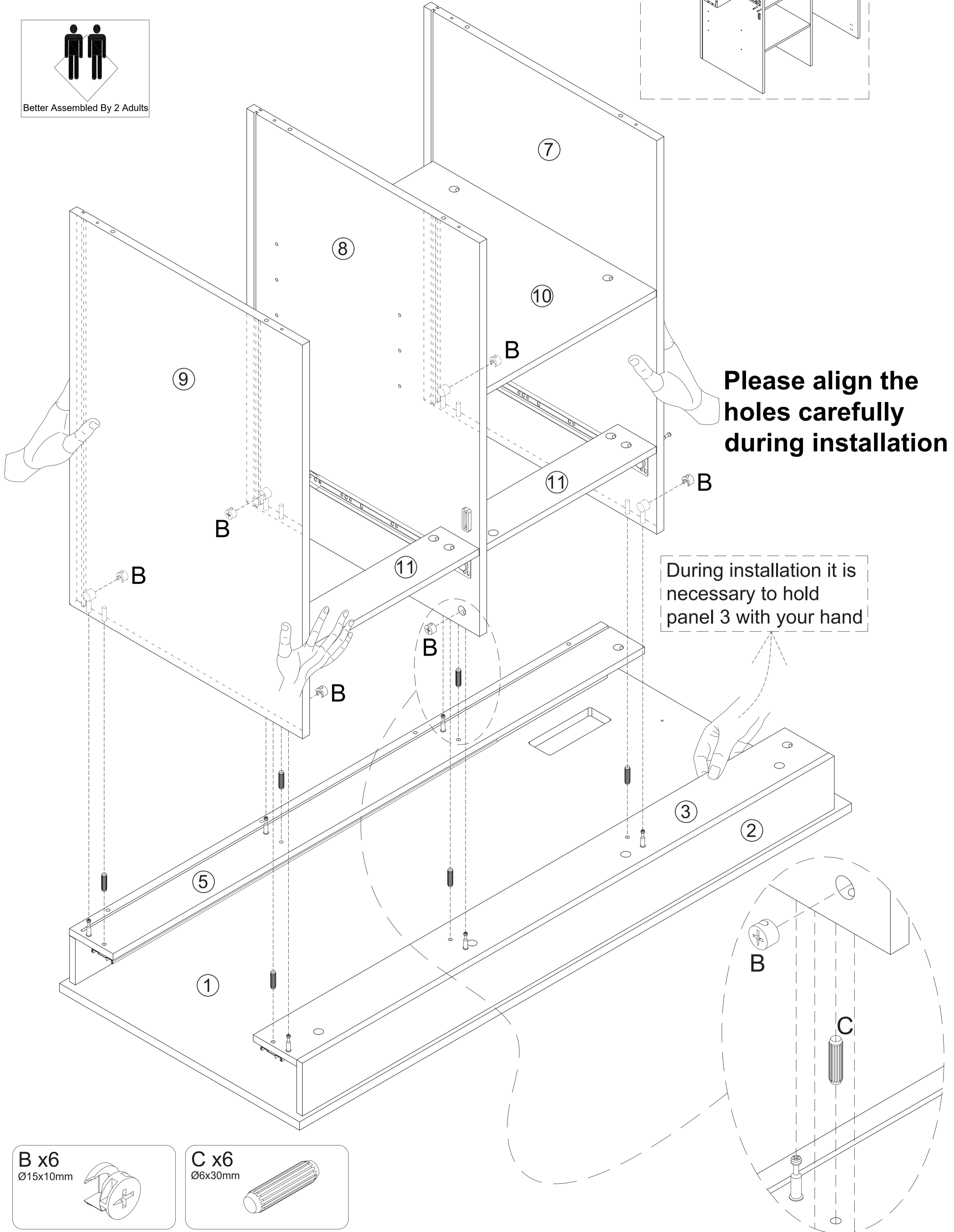
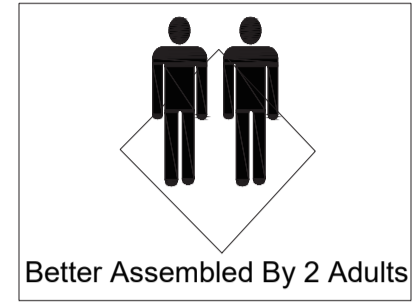
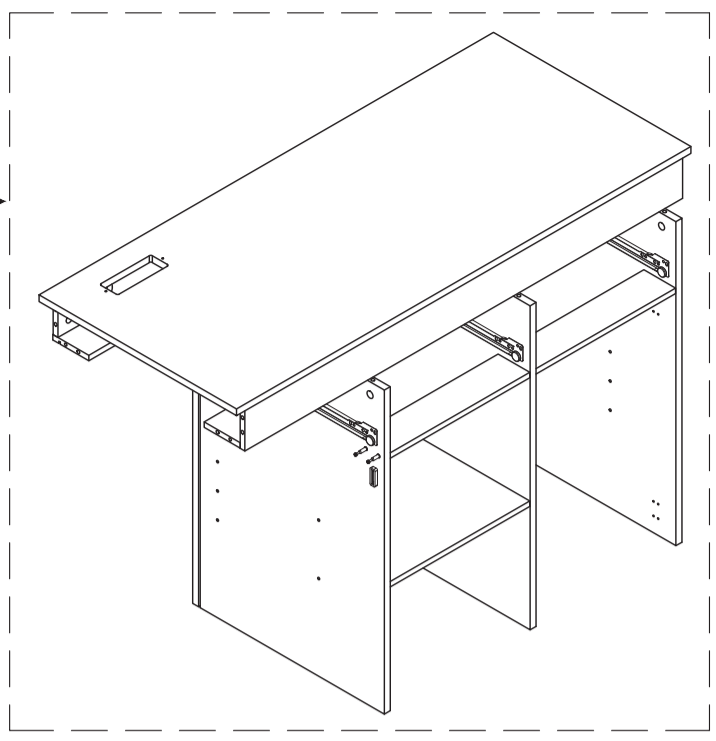
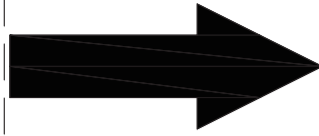




B x4
Ø15x10mm

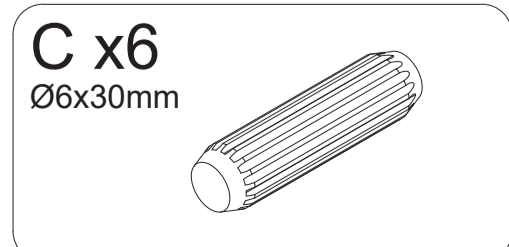
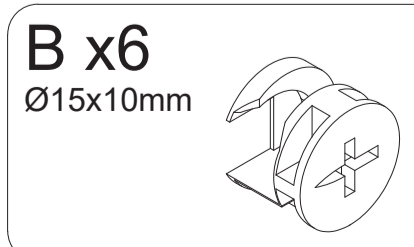


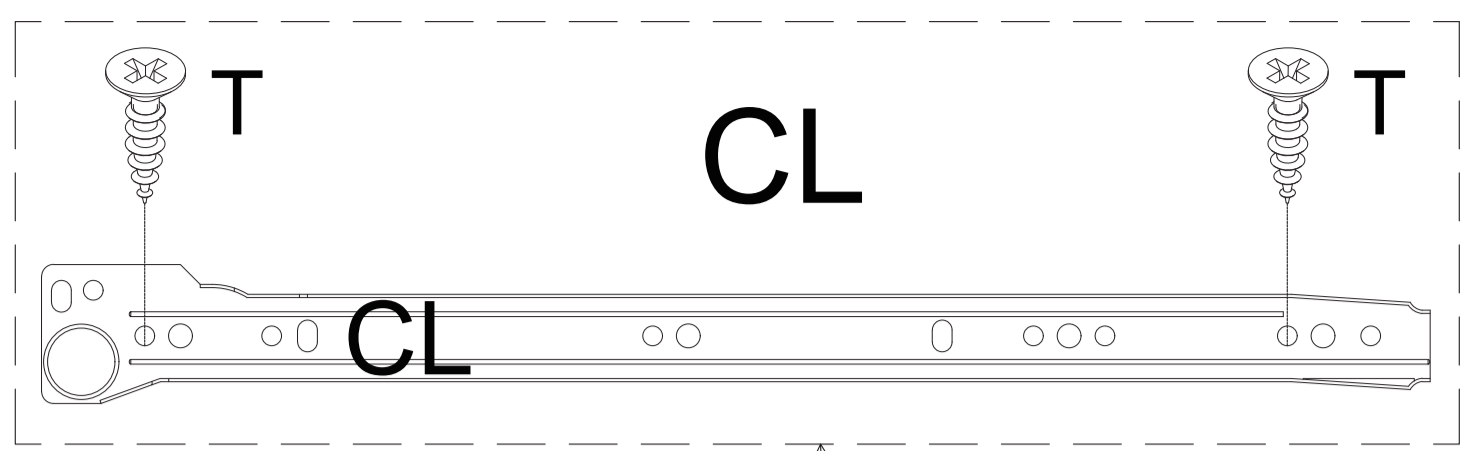
Friendly Reminder
If installation is difficult, please install vertically as shown in the diagram
After installation, flip it over



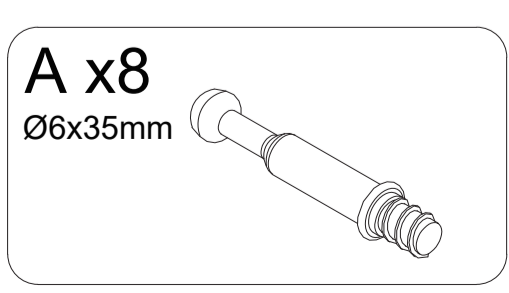
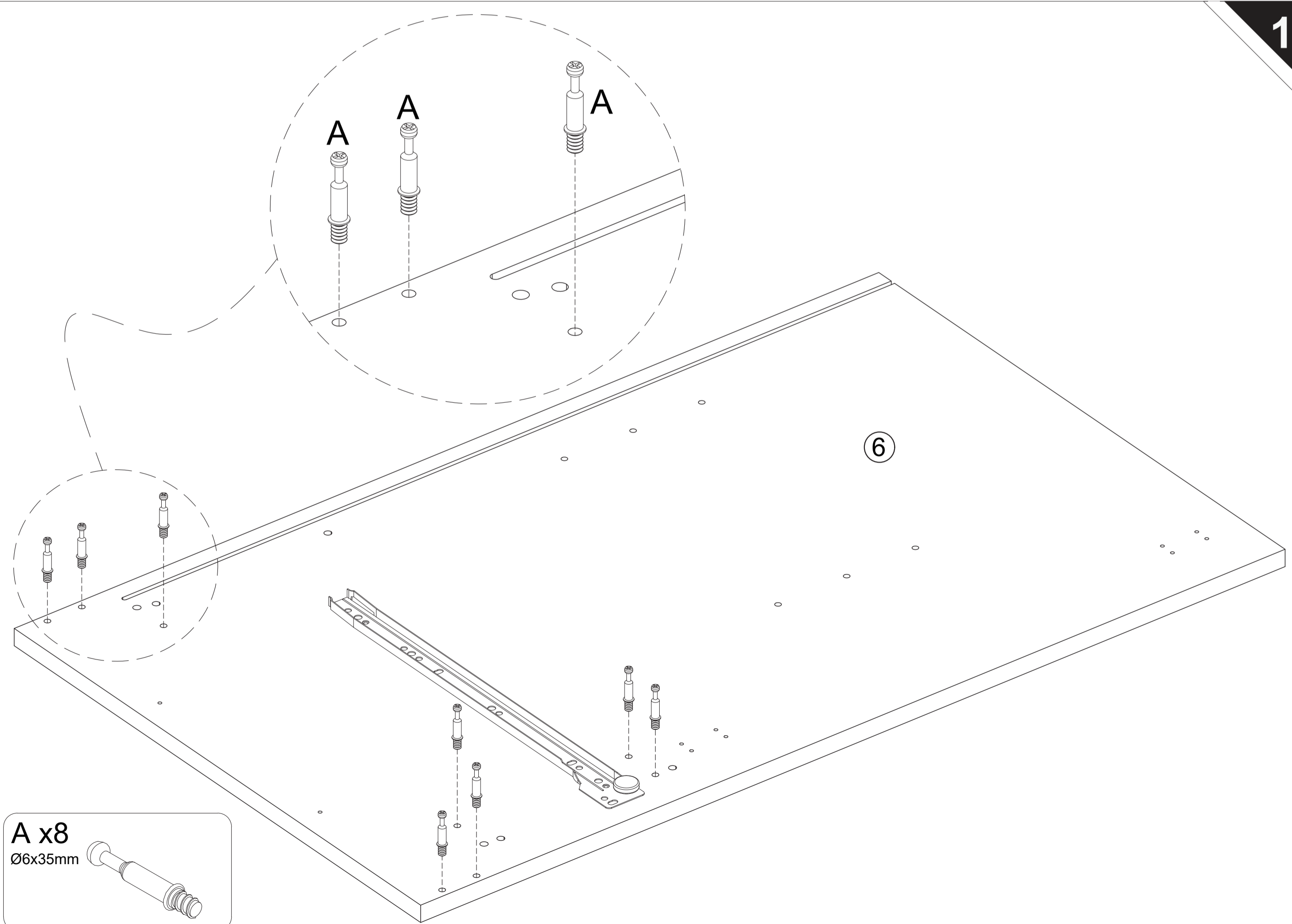
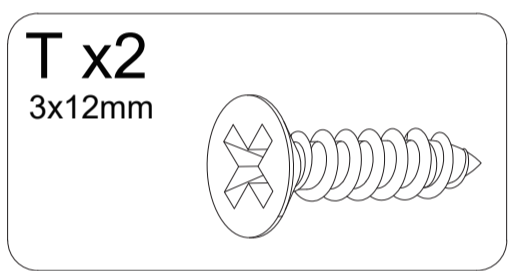
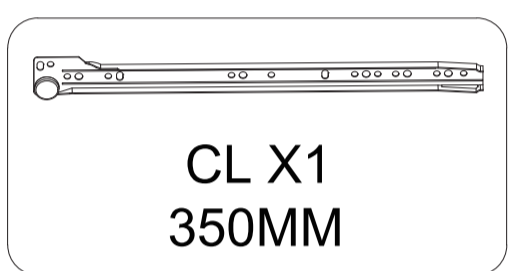
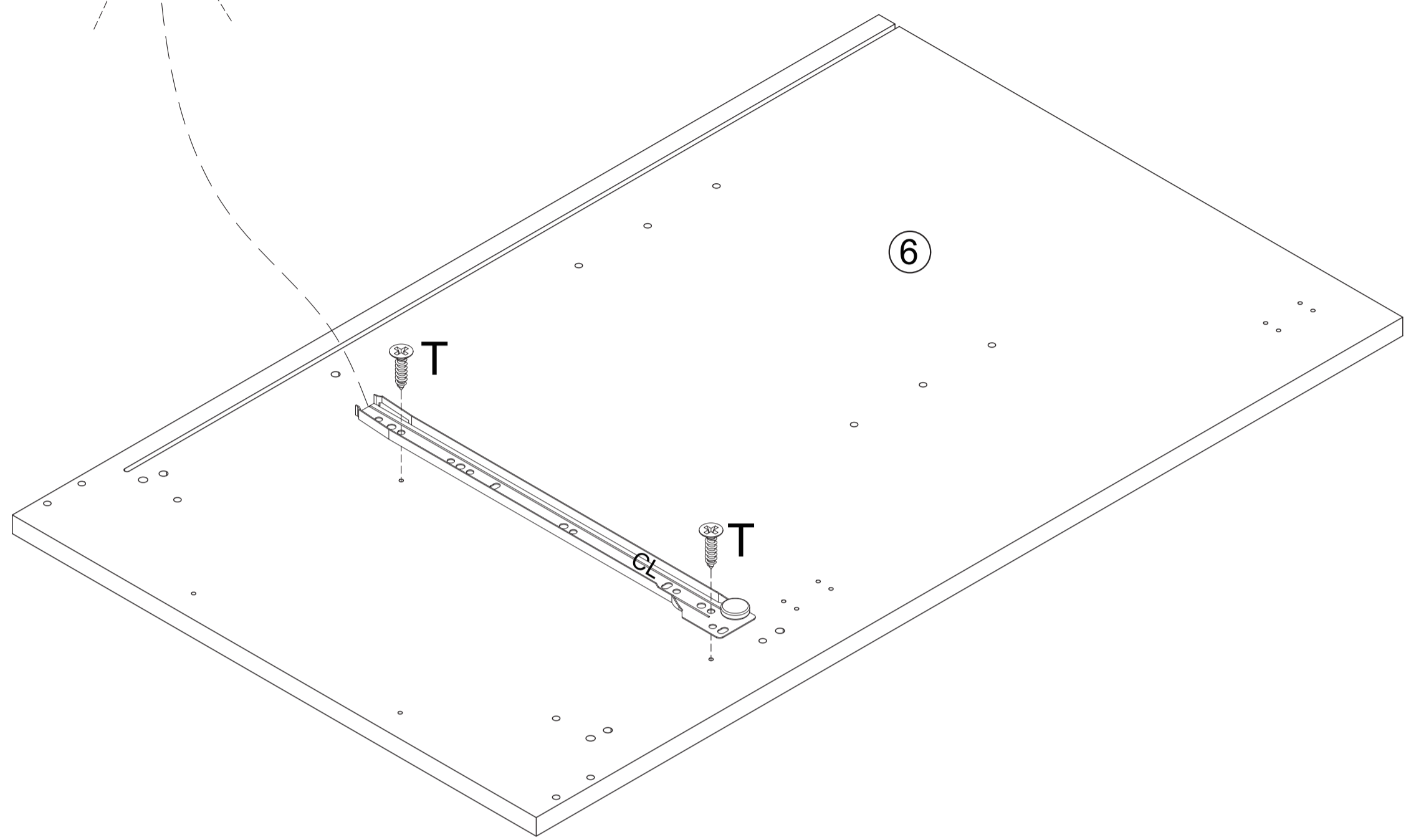
Please align the holes carefully during installation

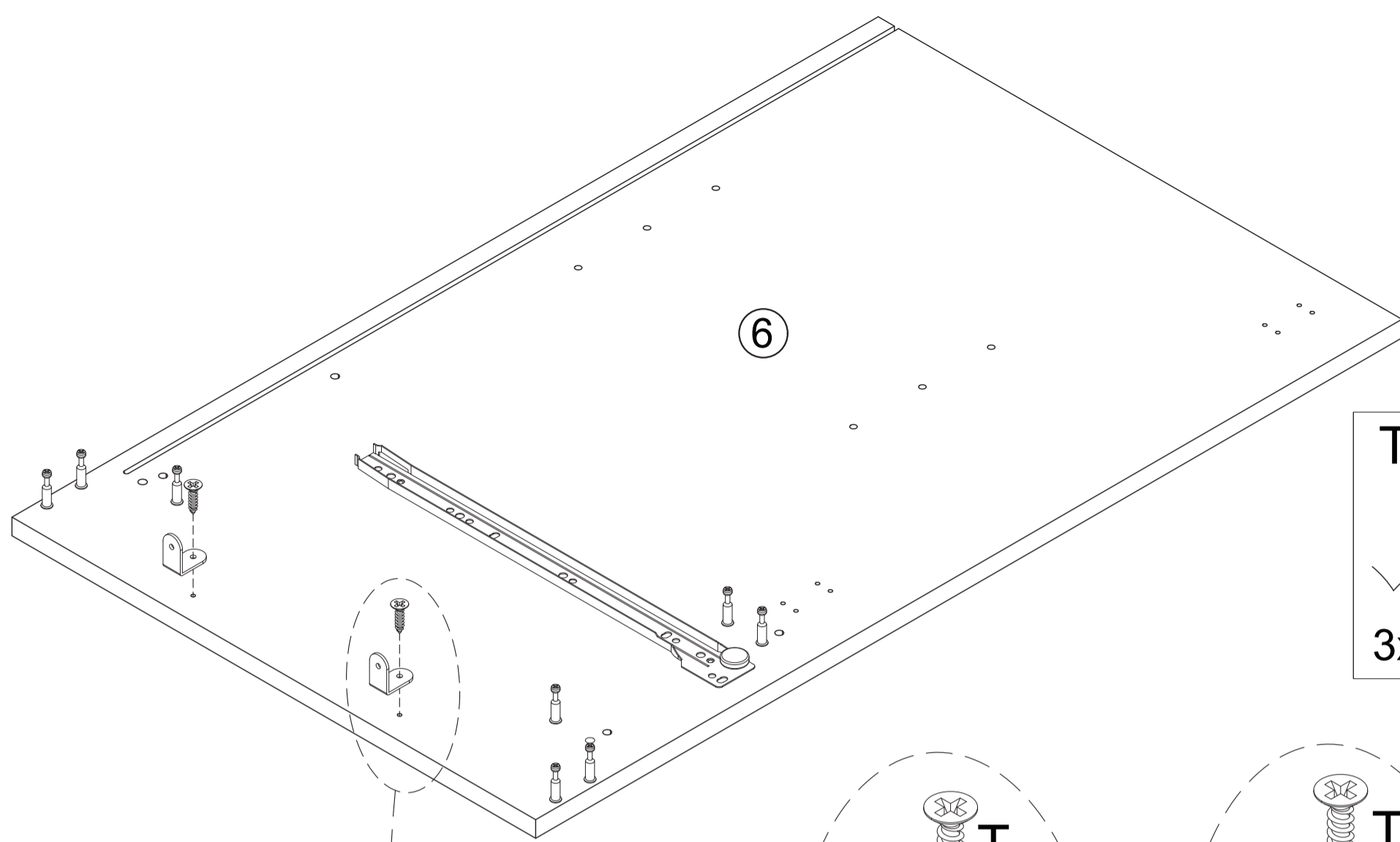
During installation it is necessary to hold panel 3 with your hand



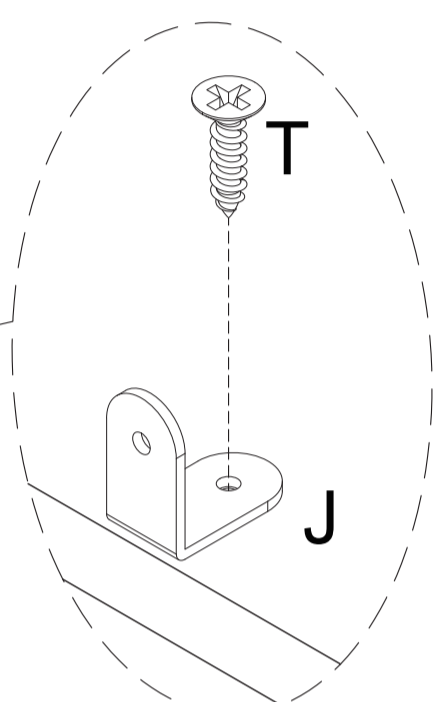
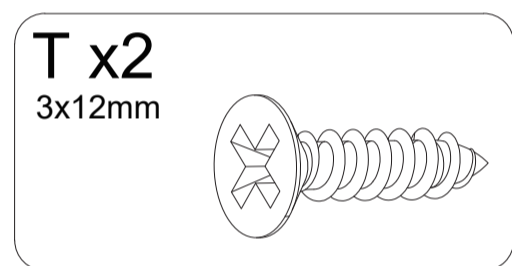
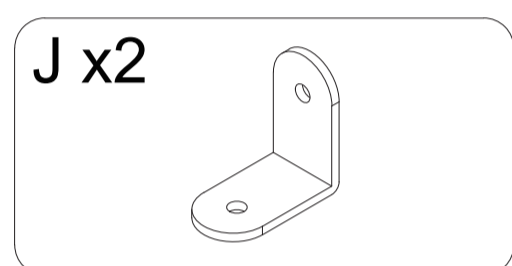


T	Q	S
3x12	3x16	3.5x14

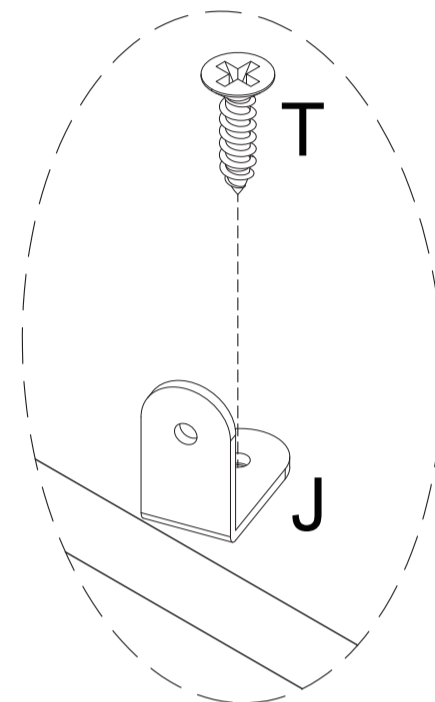




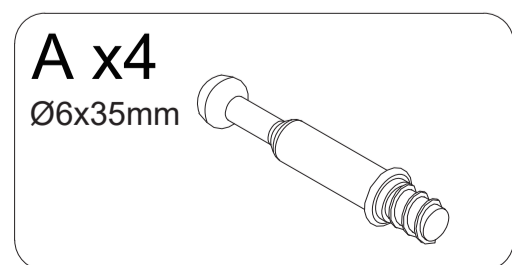
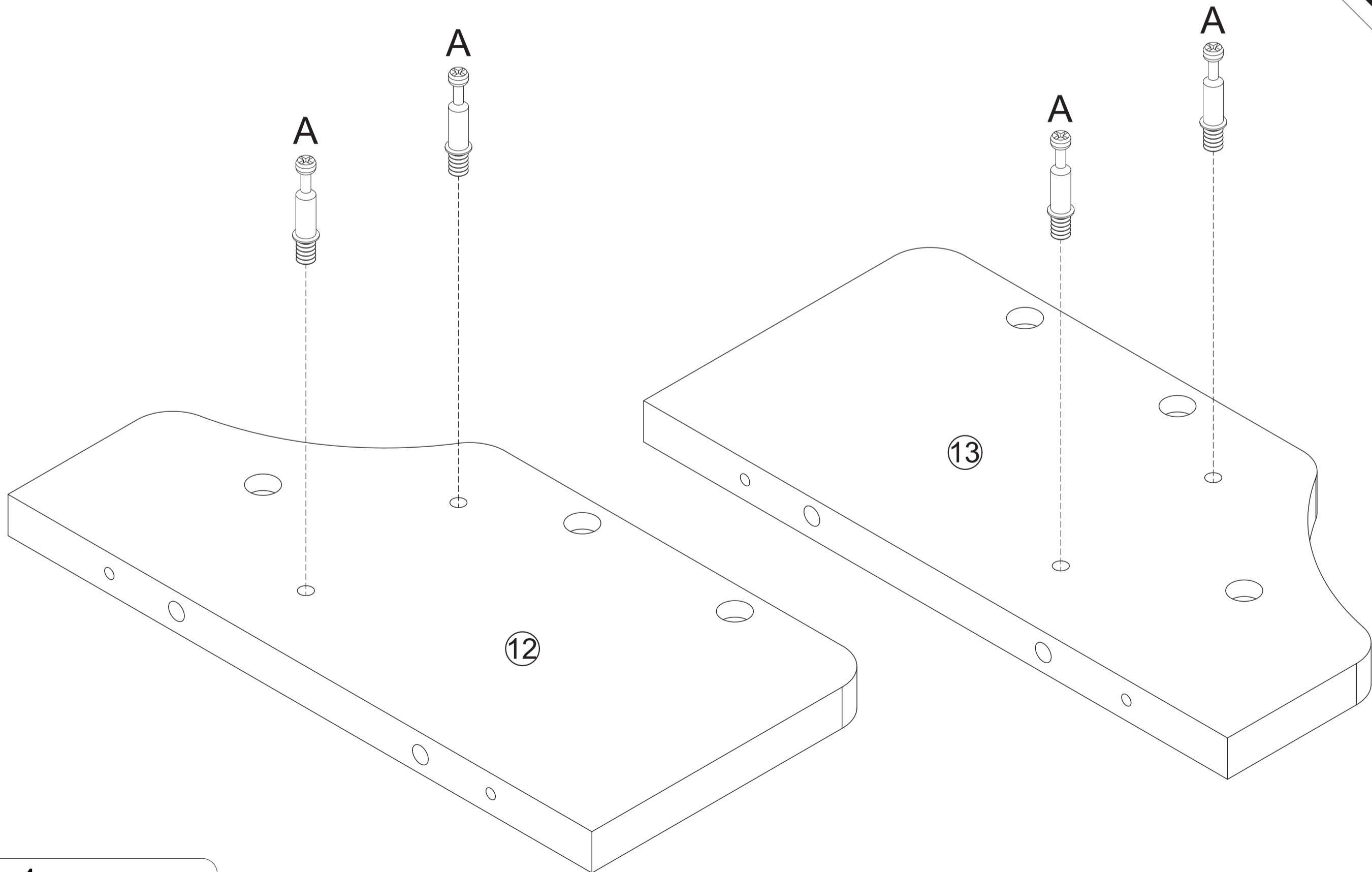
T ✓ 3x12	Q ✗ 3x16	S ✗ 3.5x14
-----------------------	-----------------------	-------------------------

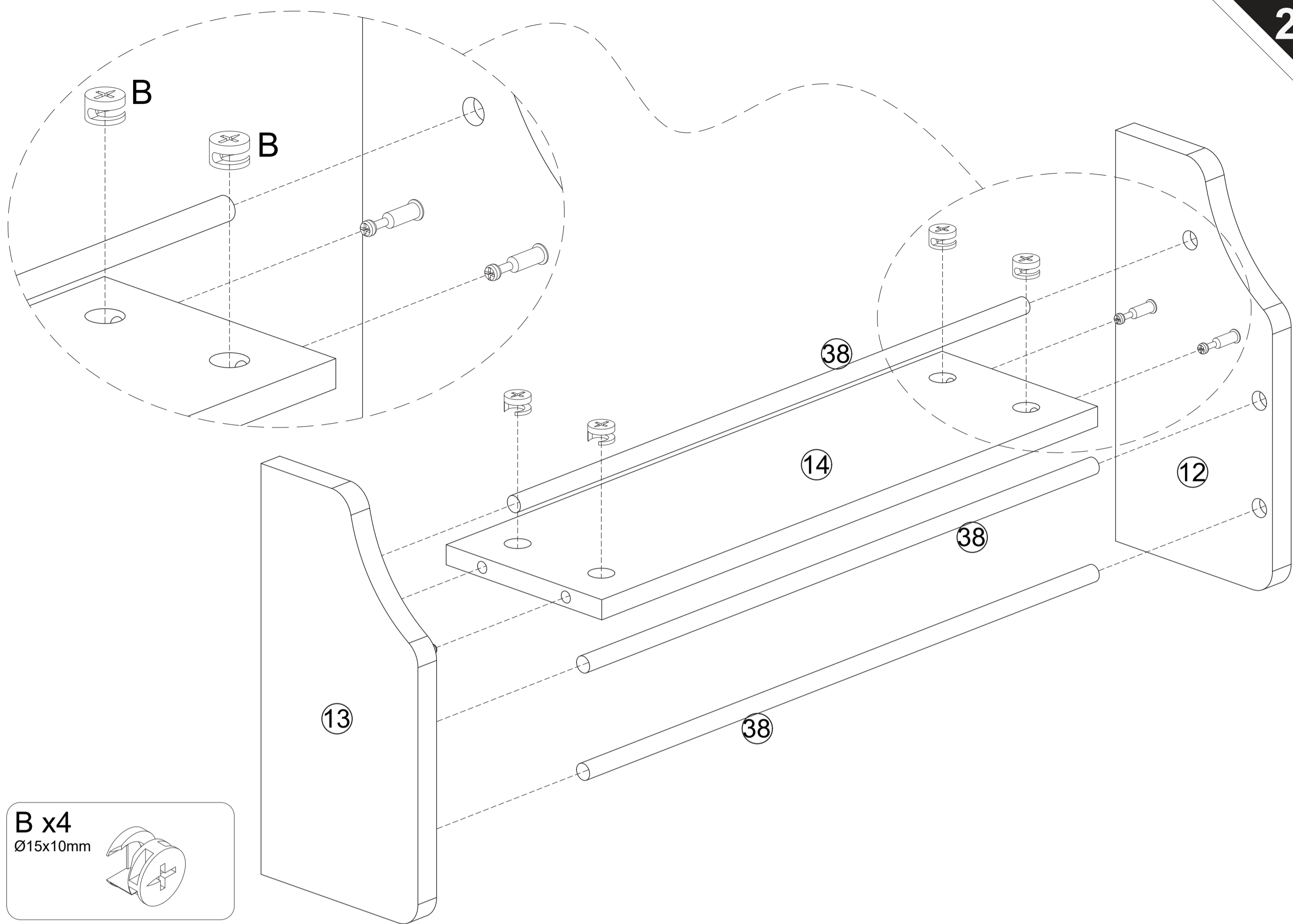


correct

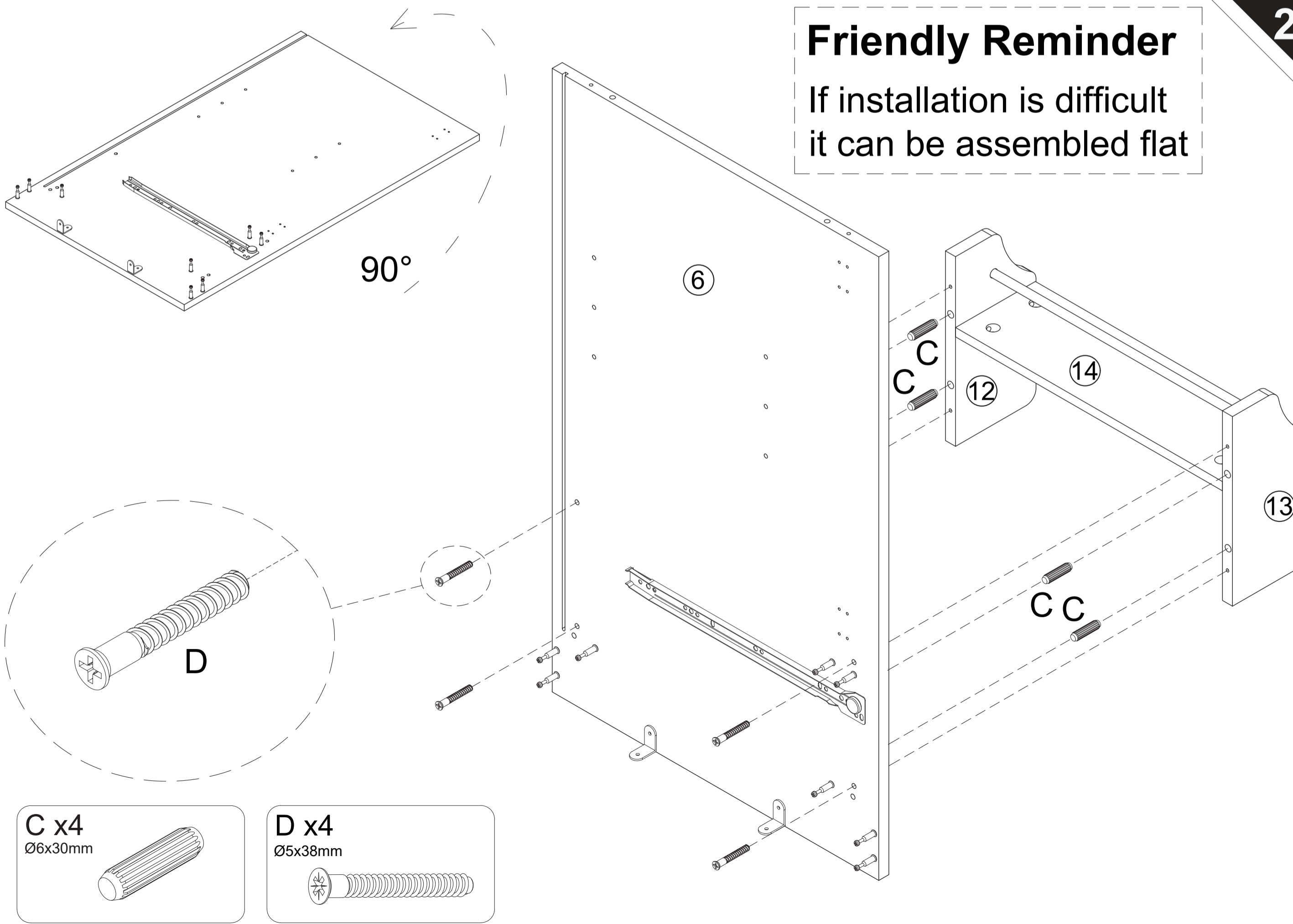


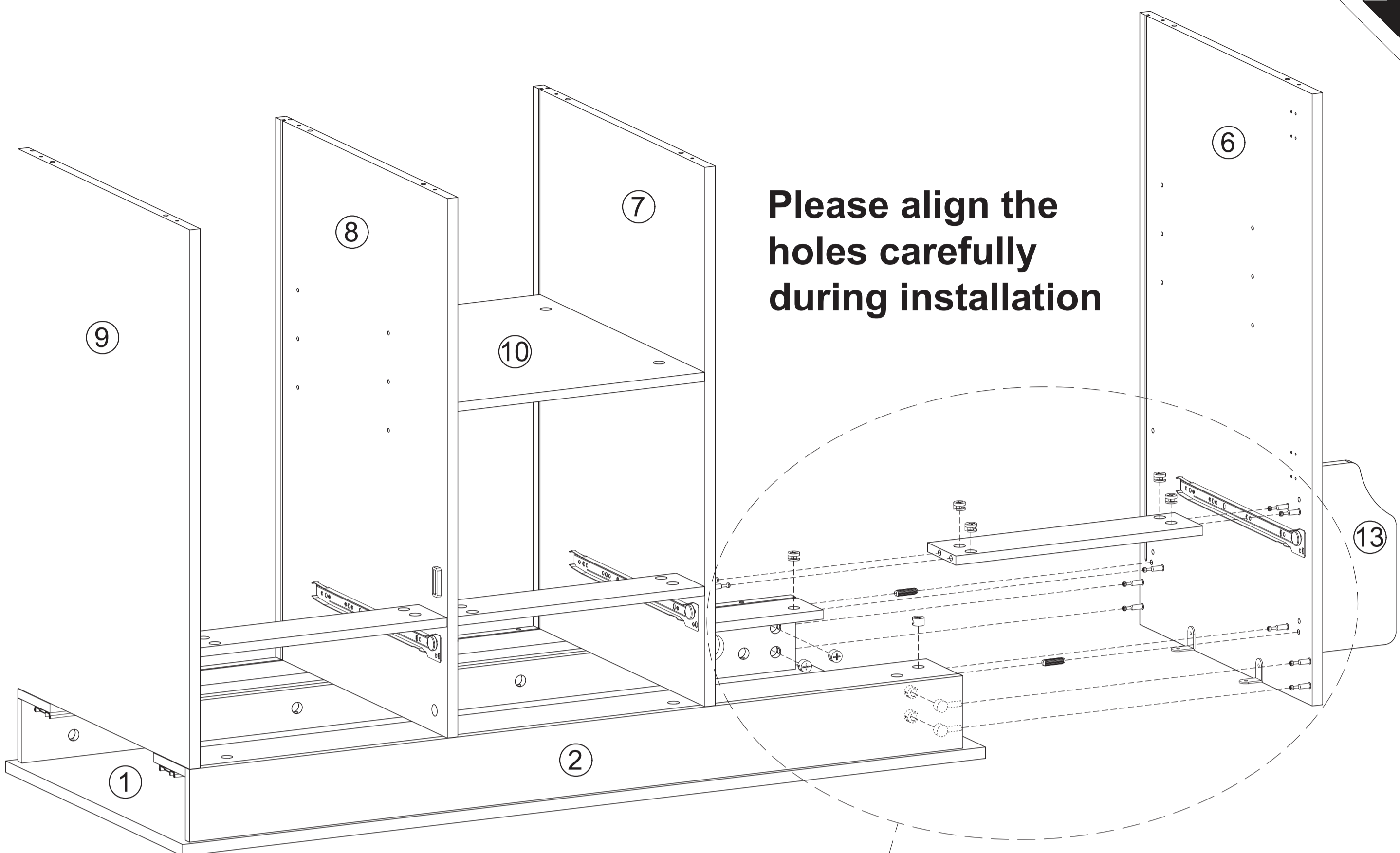
wrong



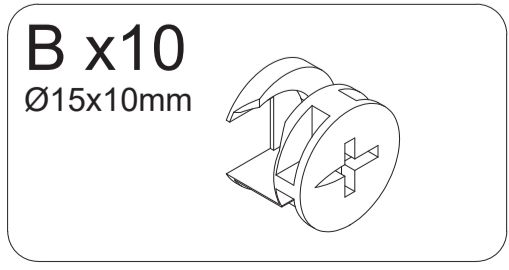
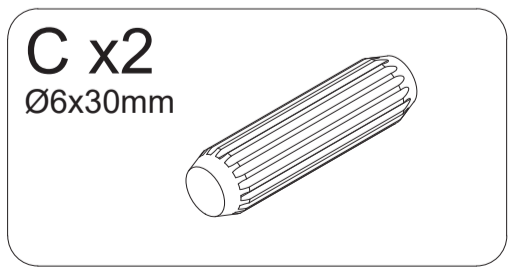
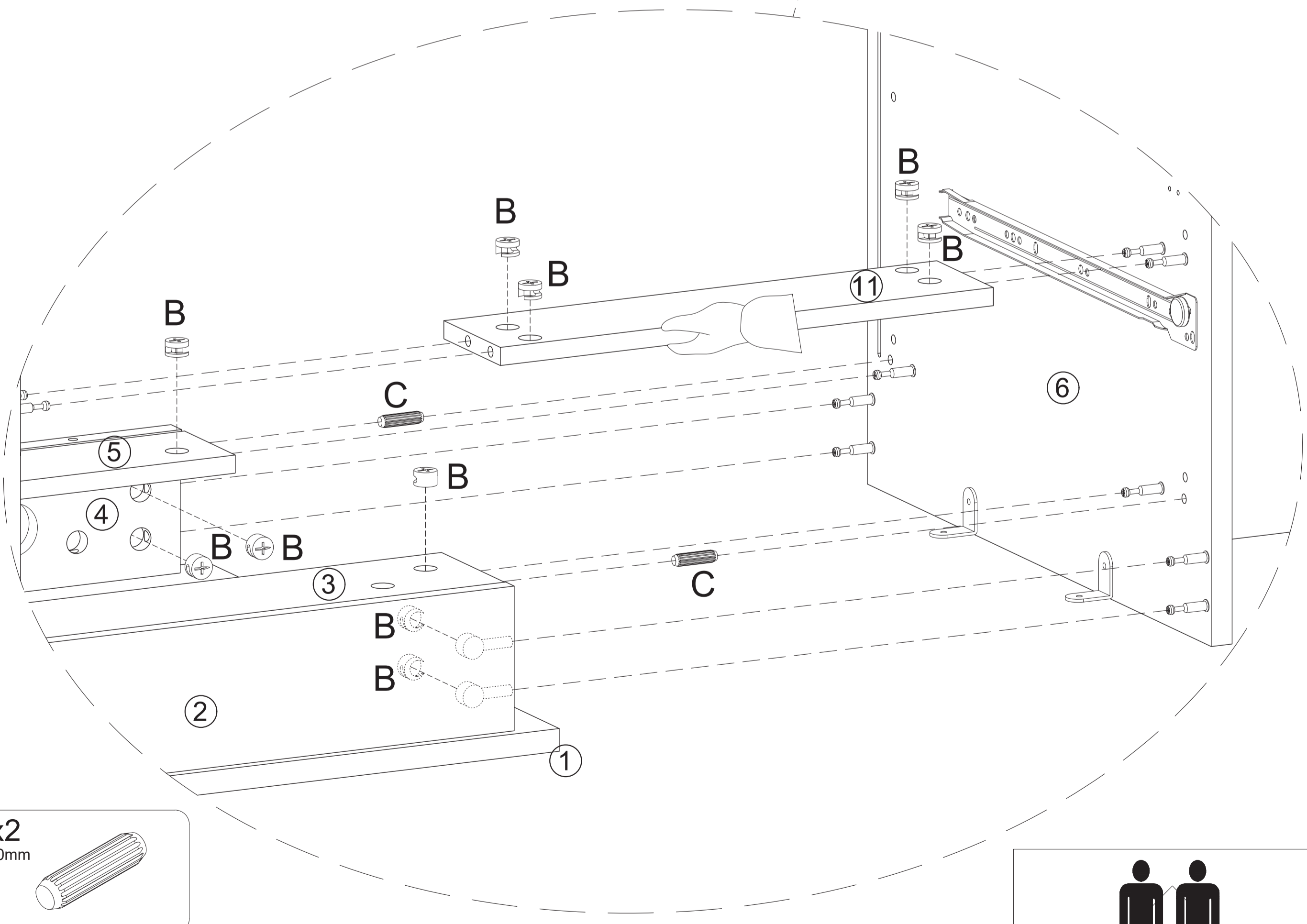


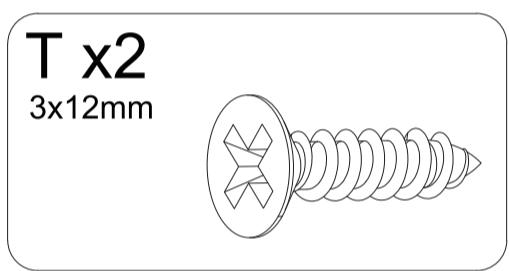
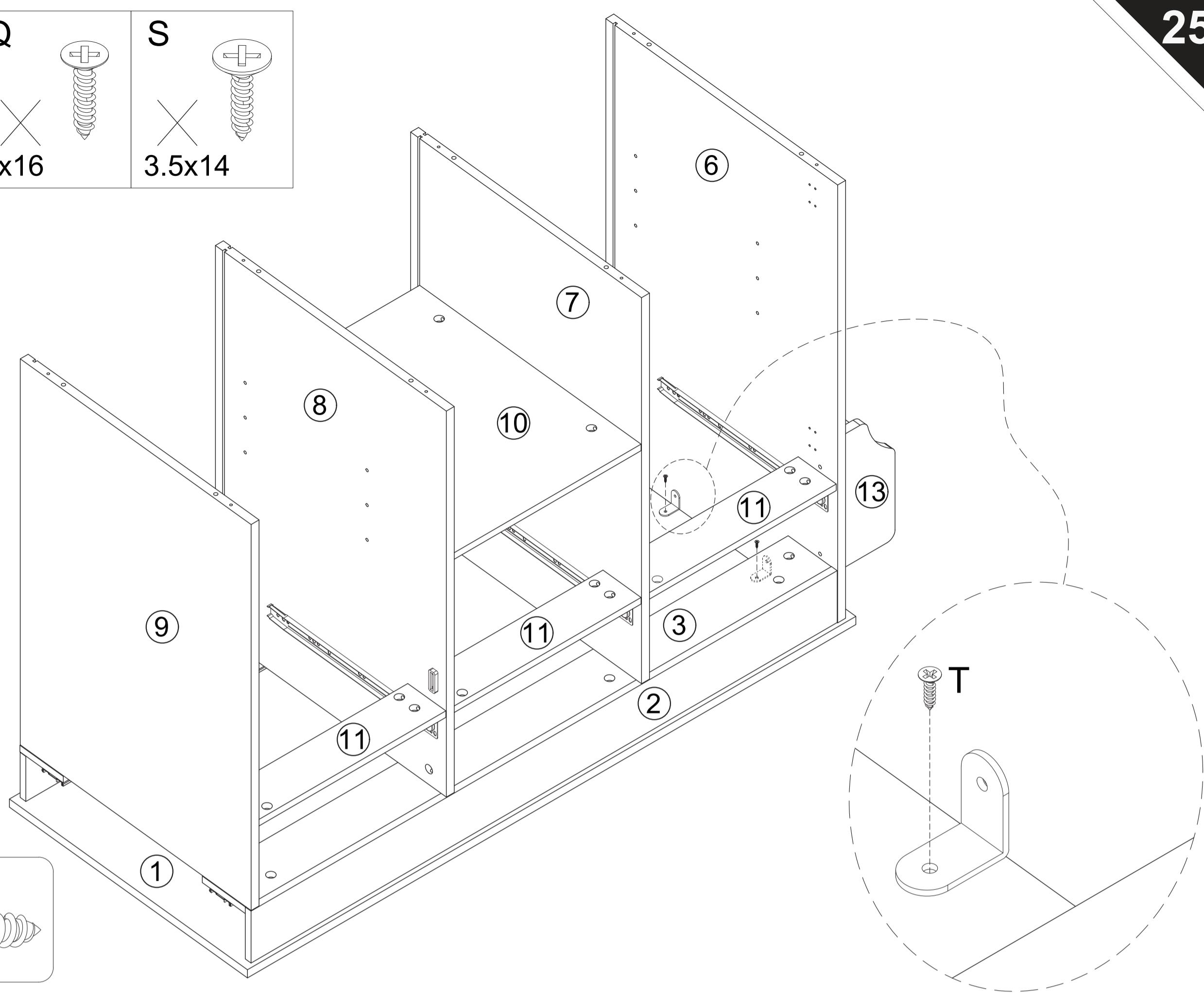
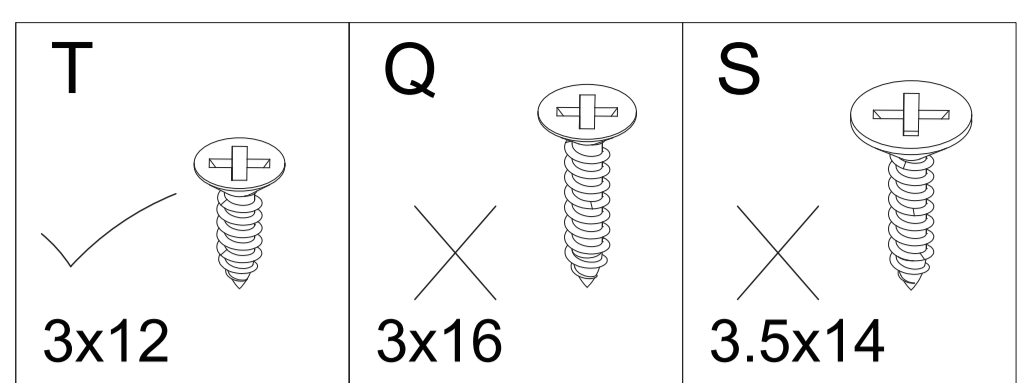
Friendly Reminder
 If installation is difficult
 it can be assembled flat



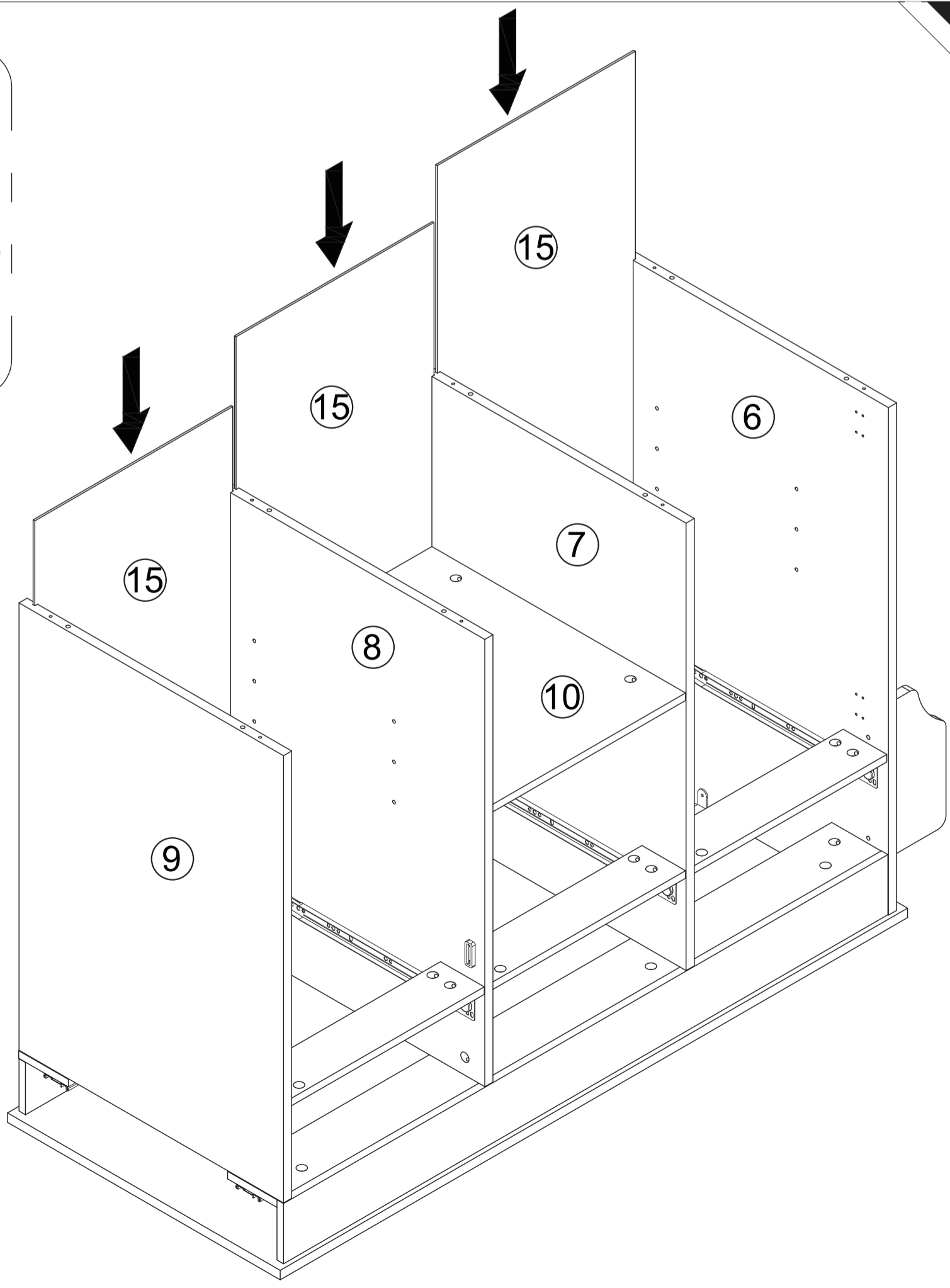


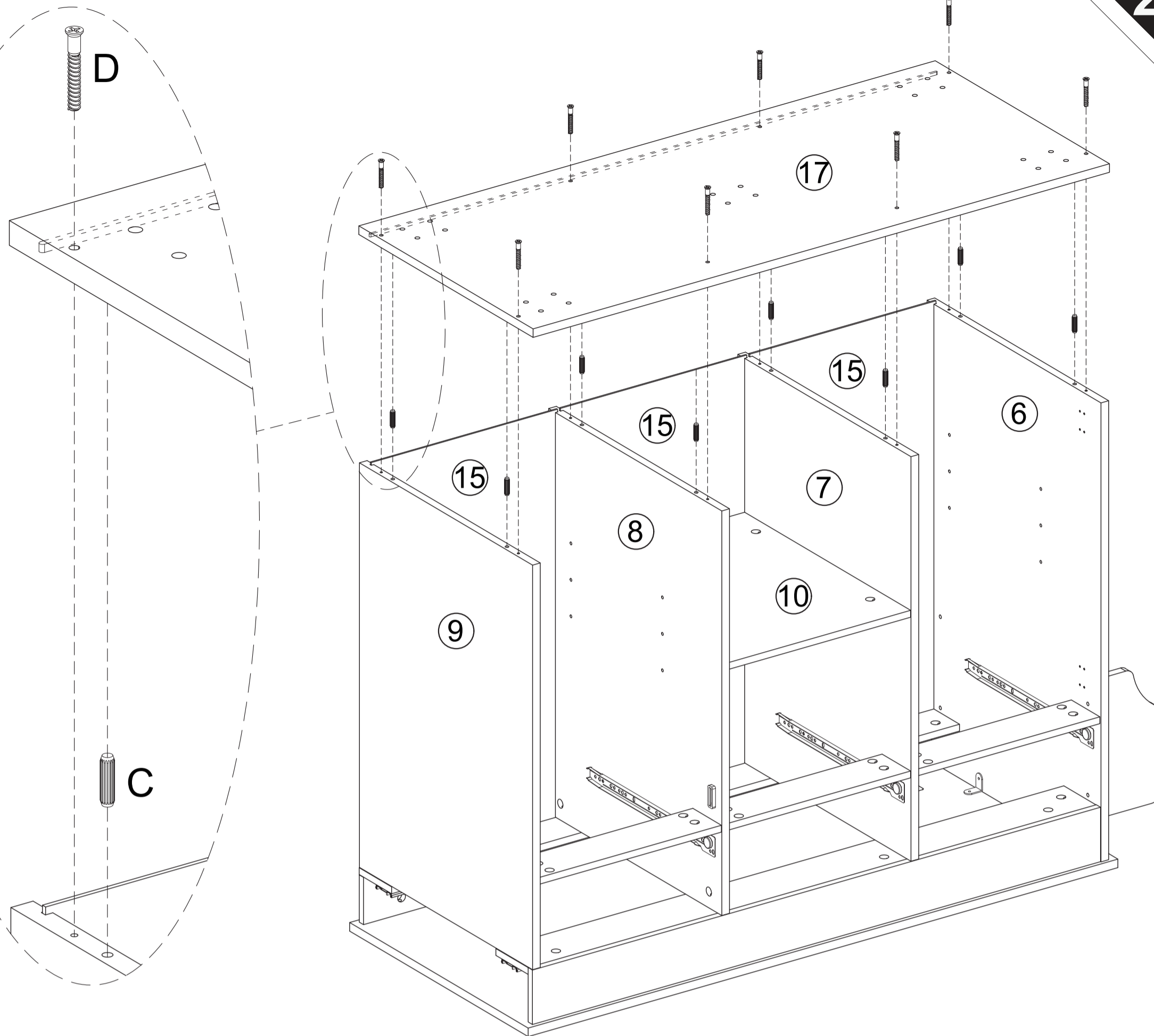
Please align the holes carefully during installation



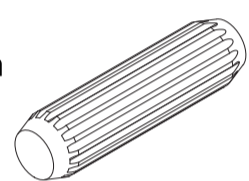


The thin plate needs to be fully inserted into the groove. If the insertion is not smooth, you can try pressing from the front or the back to make adjustments until the thin plate is fully inserted into the groove.

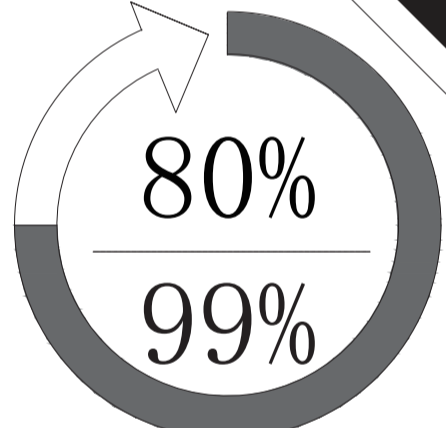
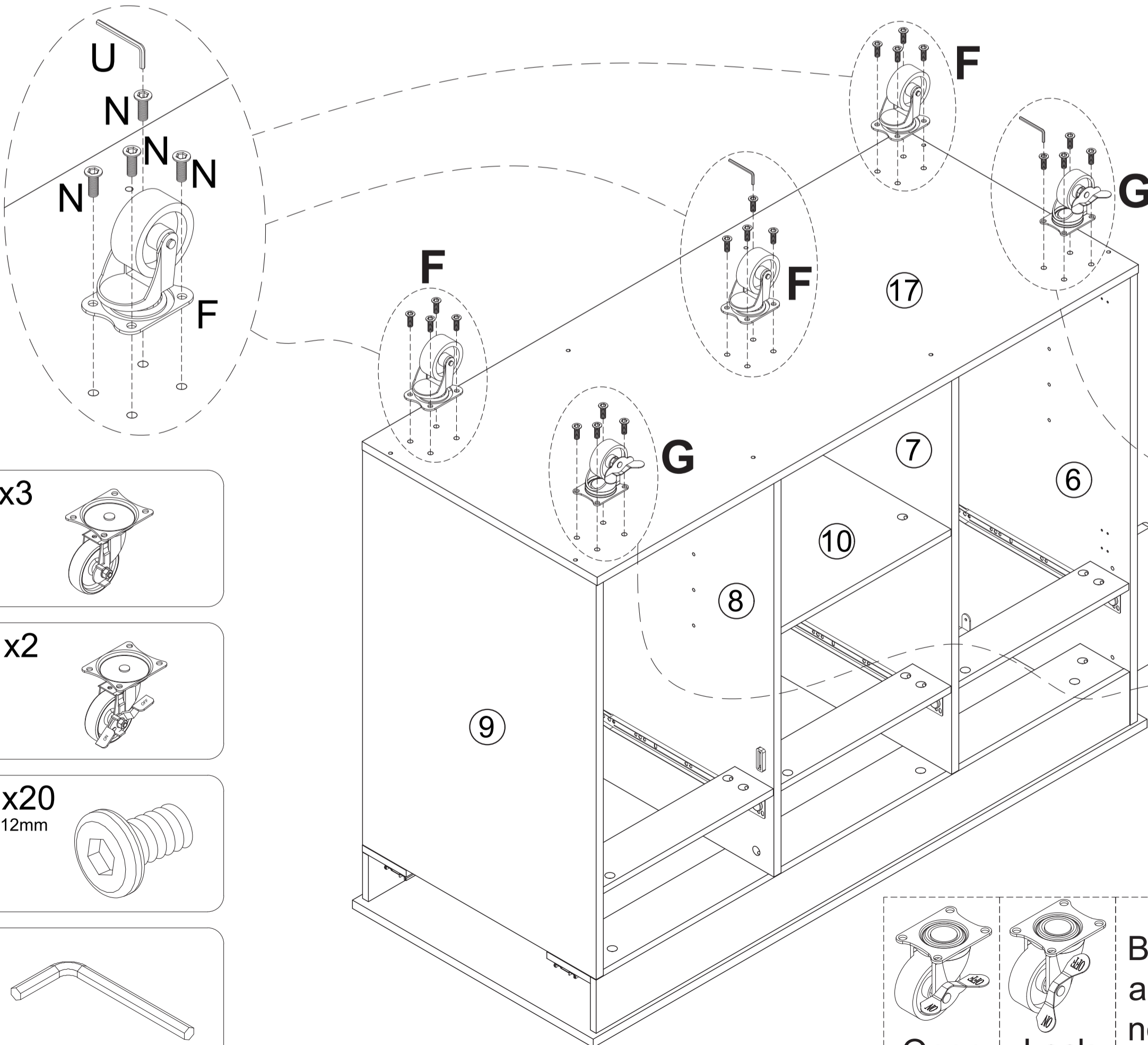
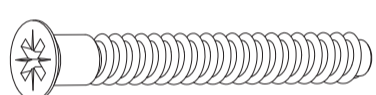




C x8
Ø6x30mm

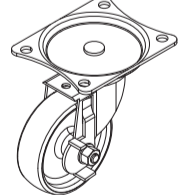


D x8
Ø5x38mm

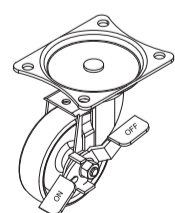


First lock all screw installations by 80%, then lock uniformly by 99%

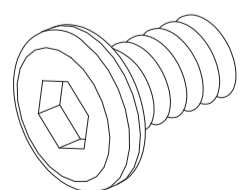
F x3



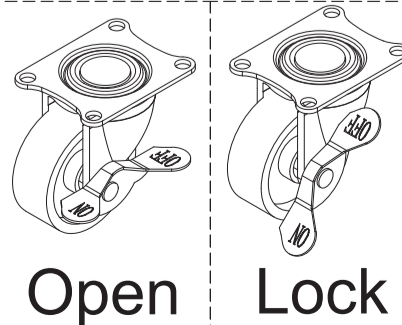
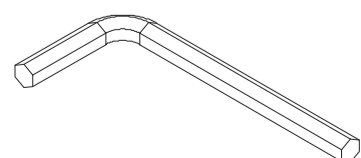
G x2



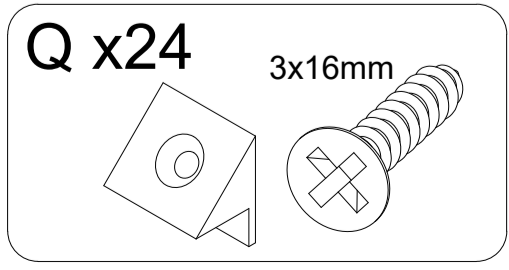
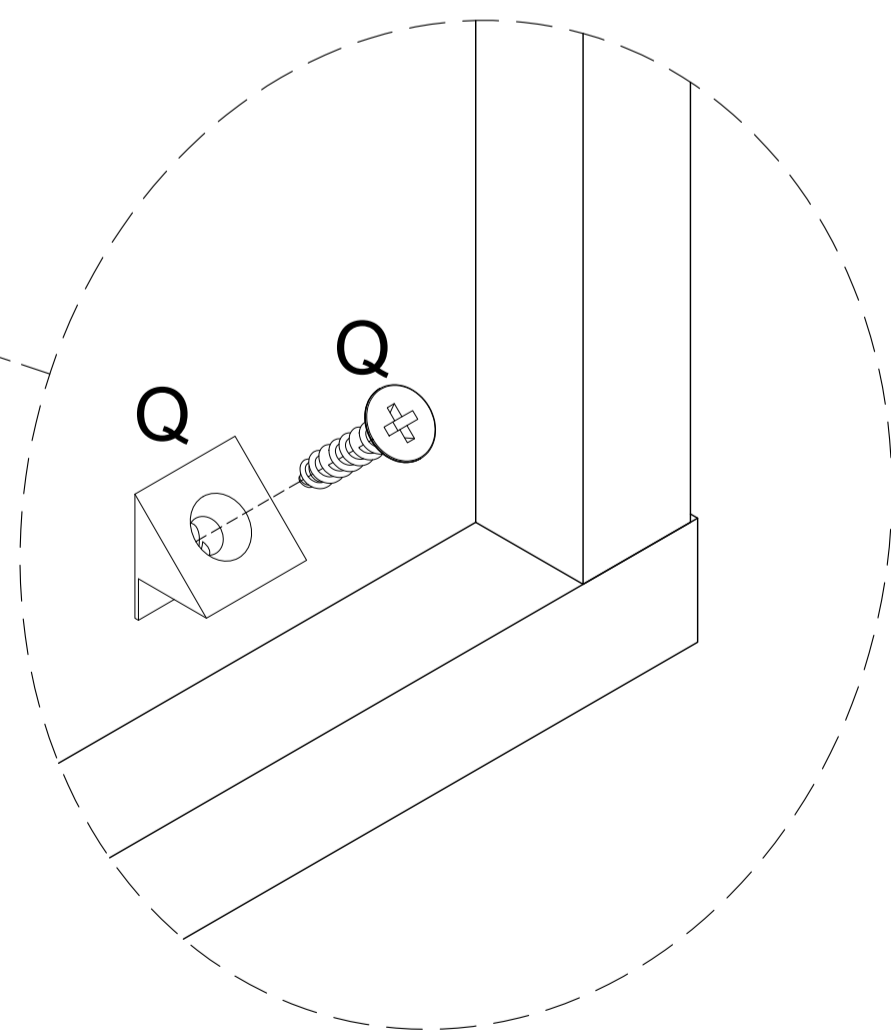
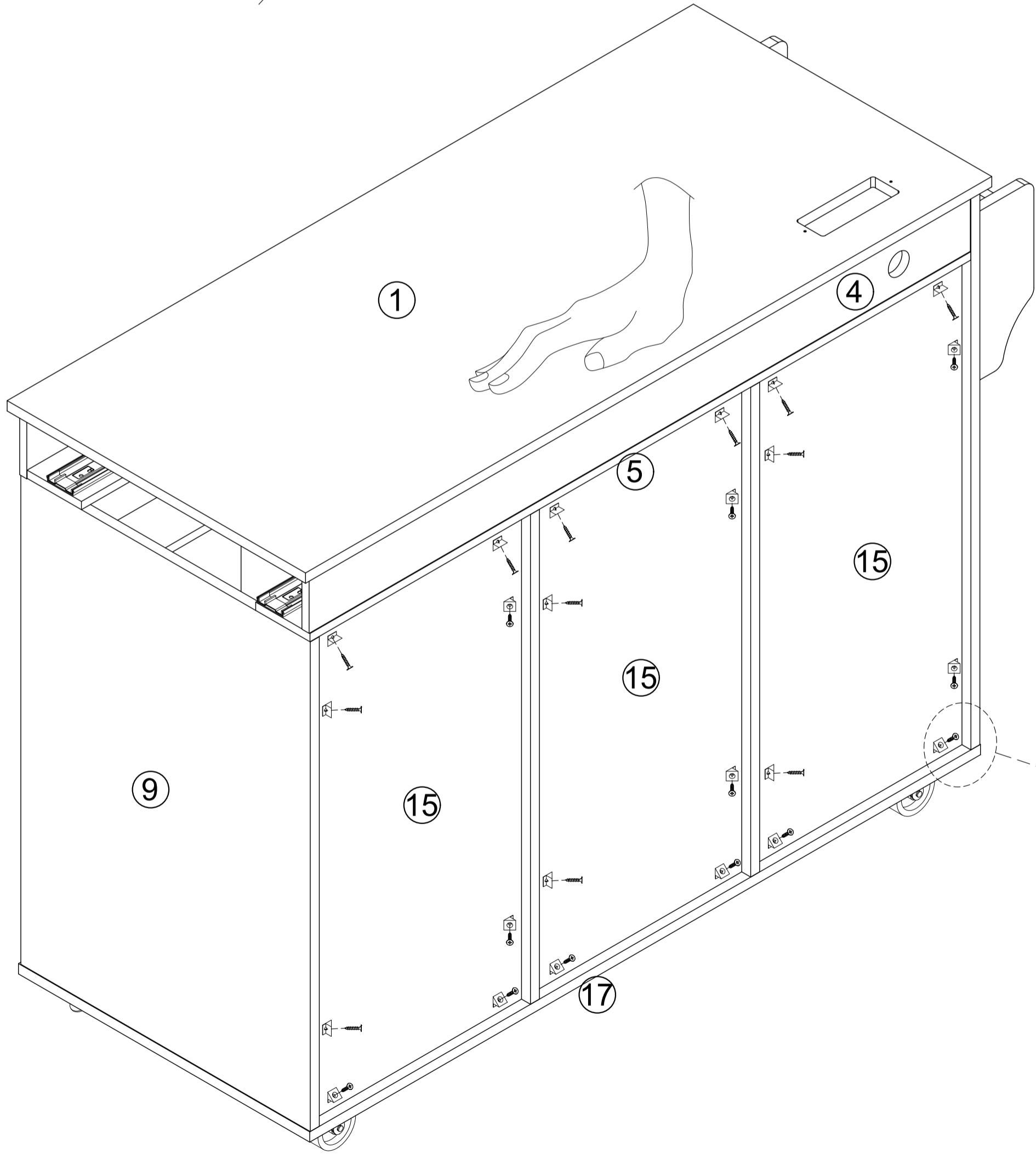
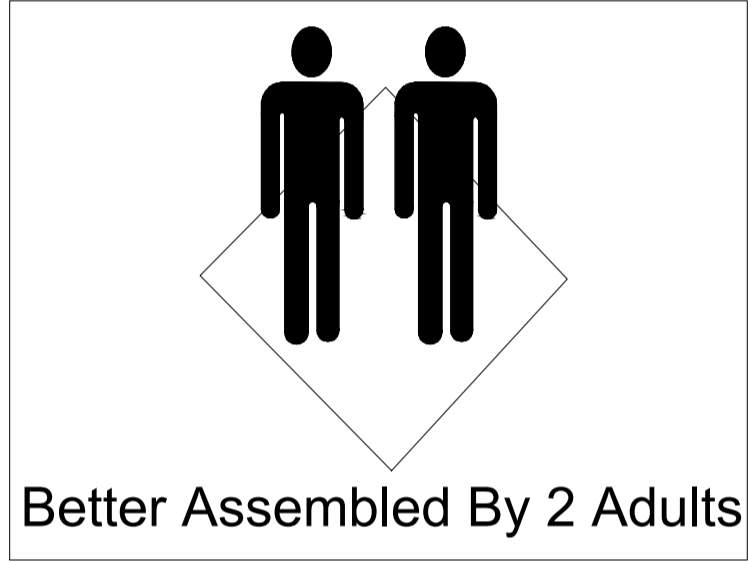
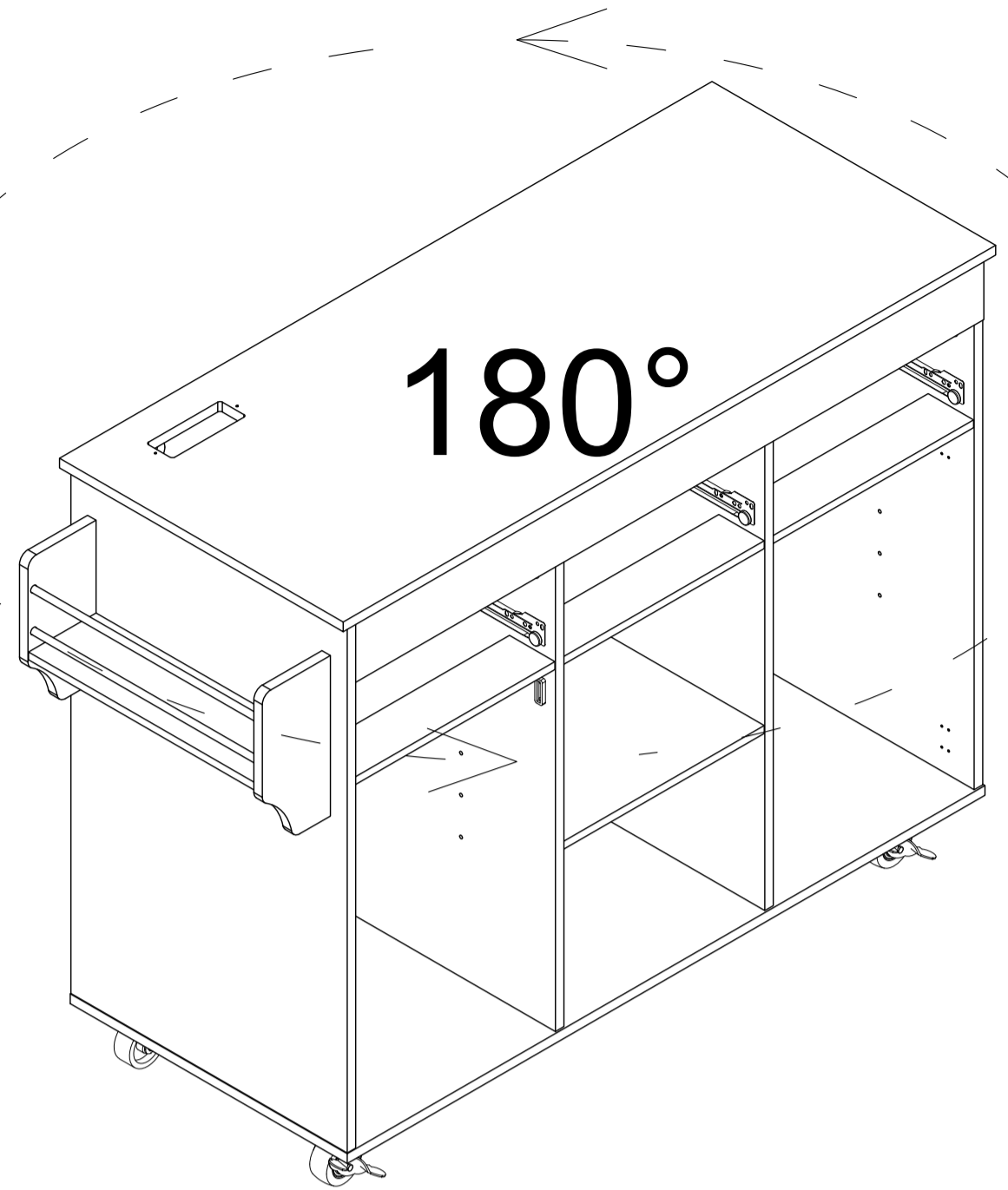
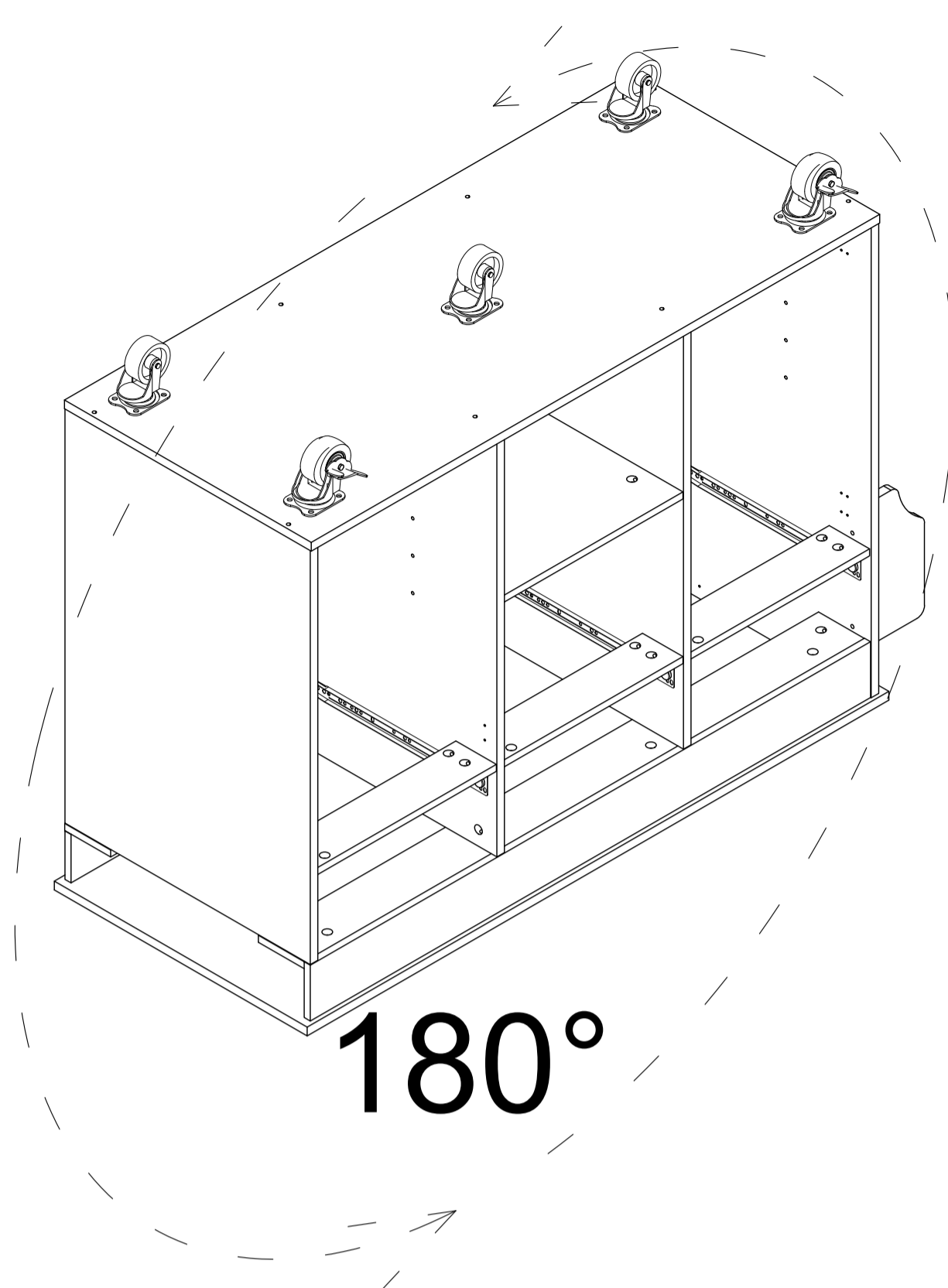
N x20
M6x12mm



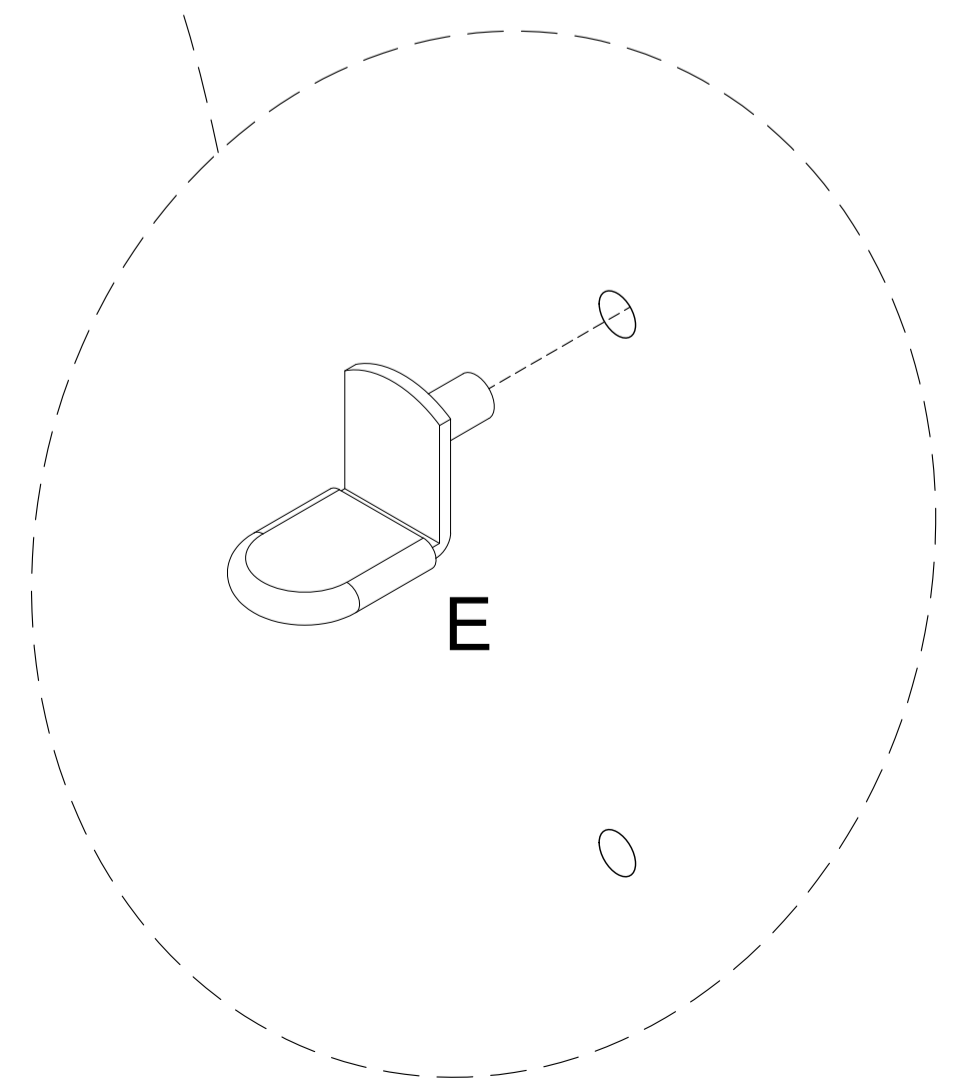
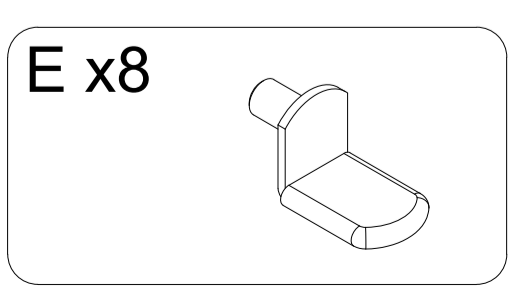
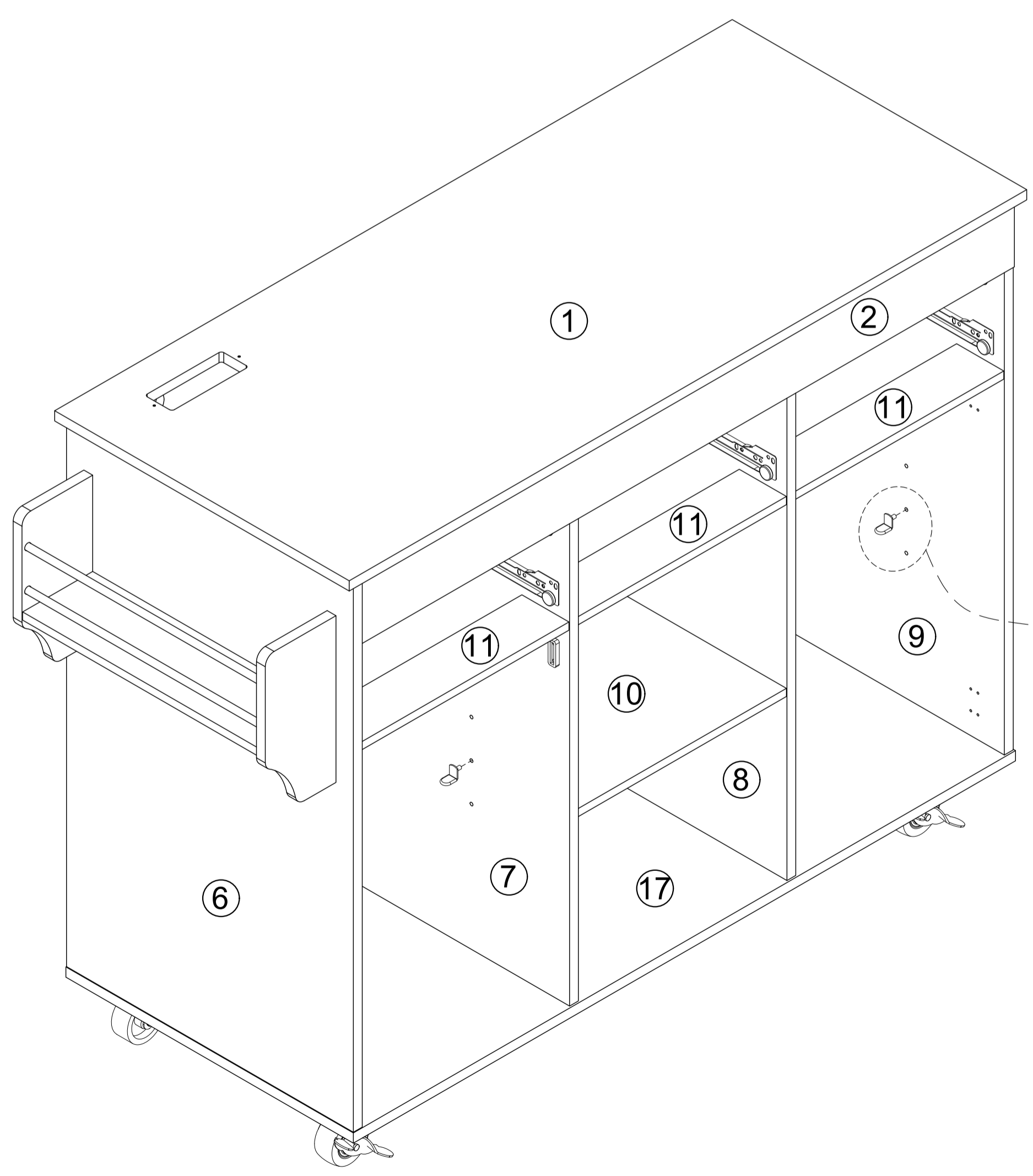
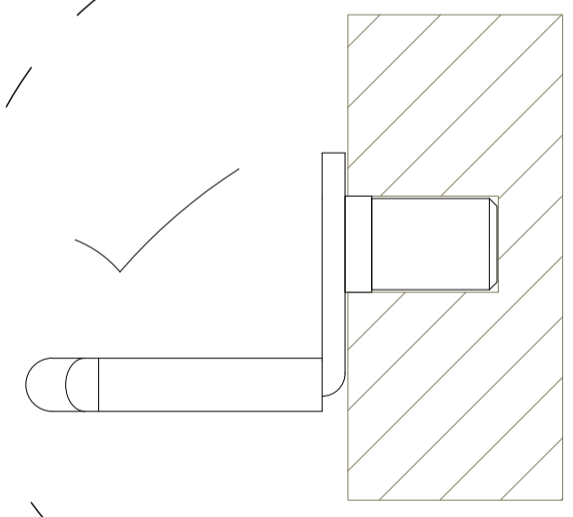
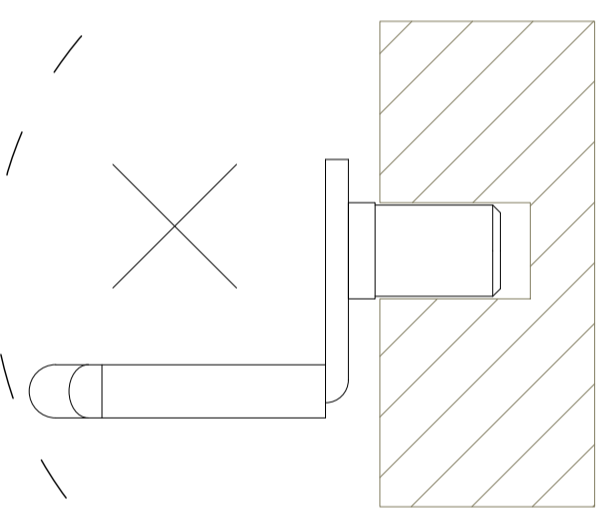
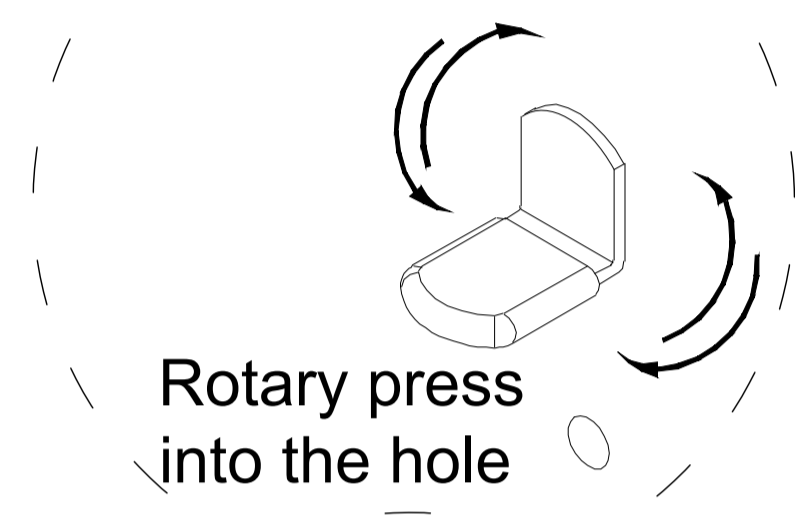
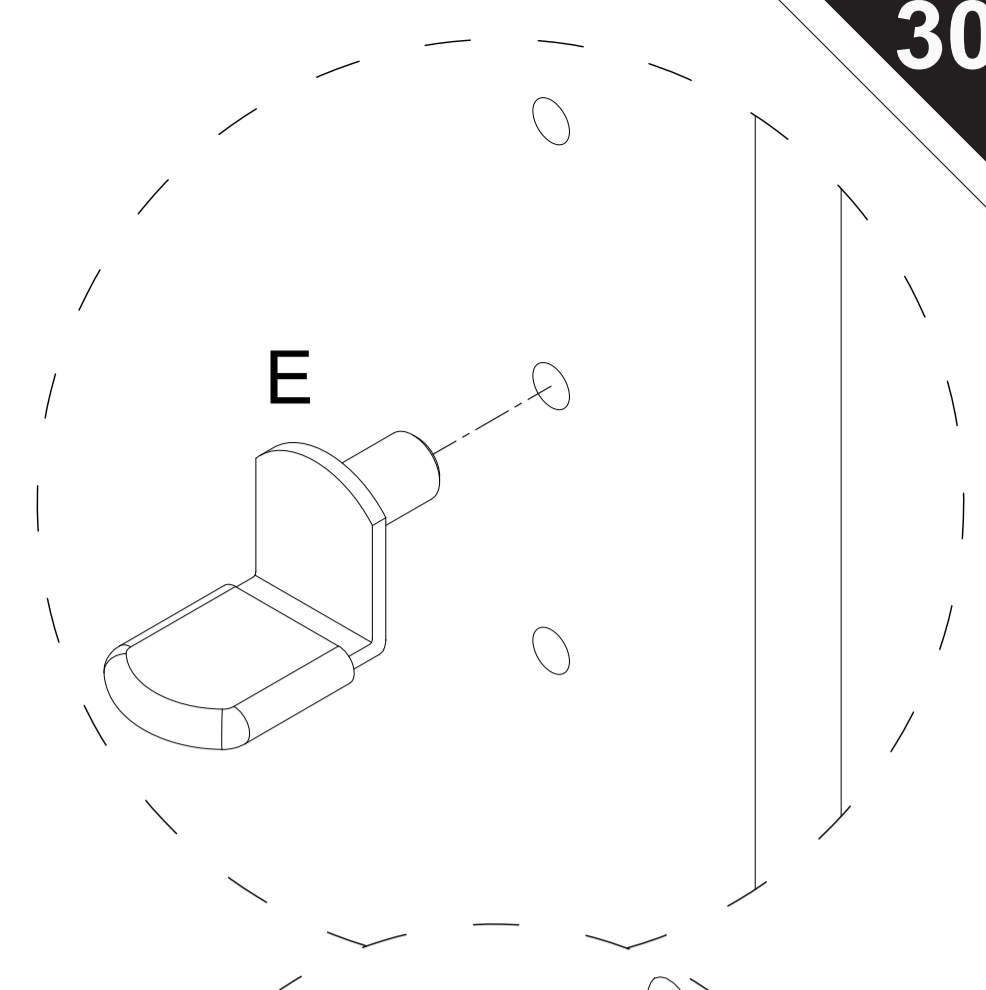
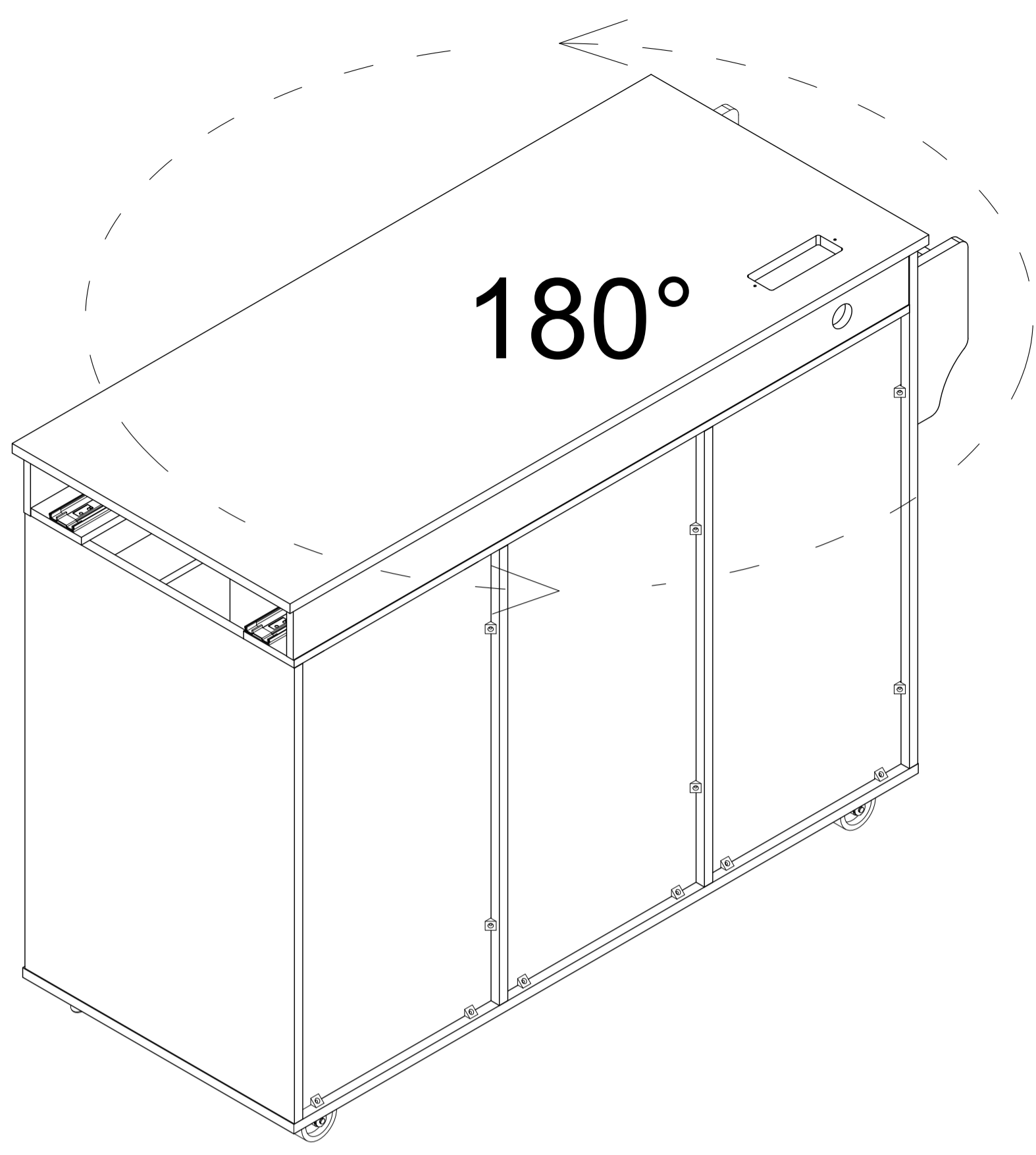
U

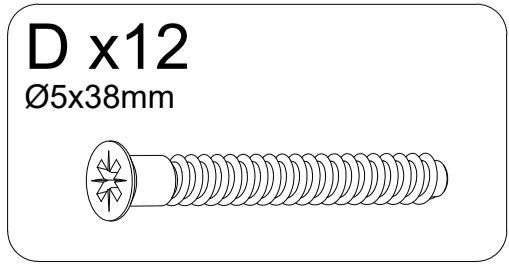
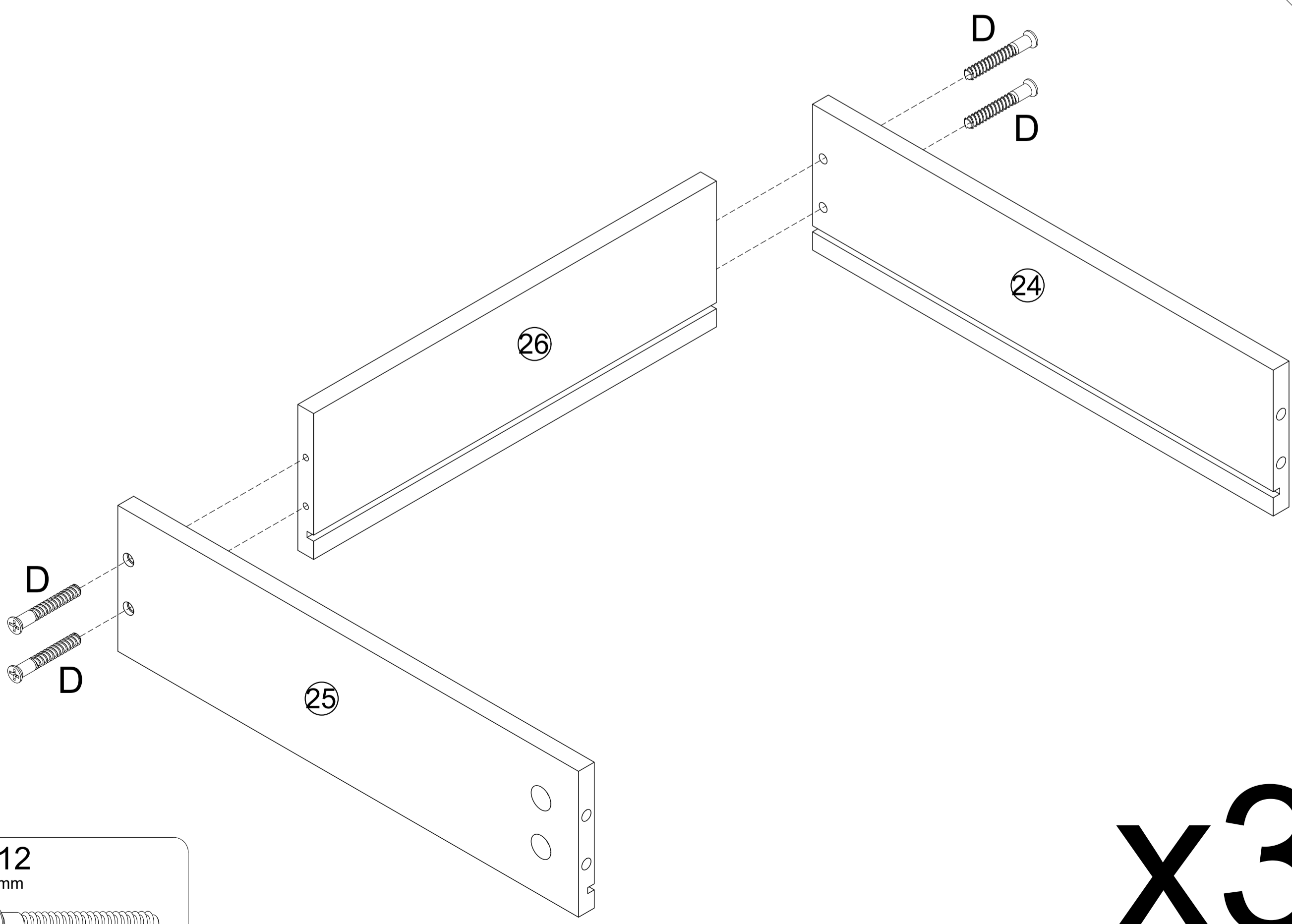
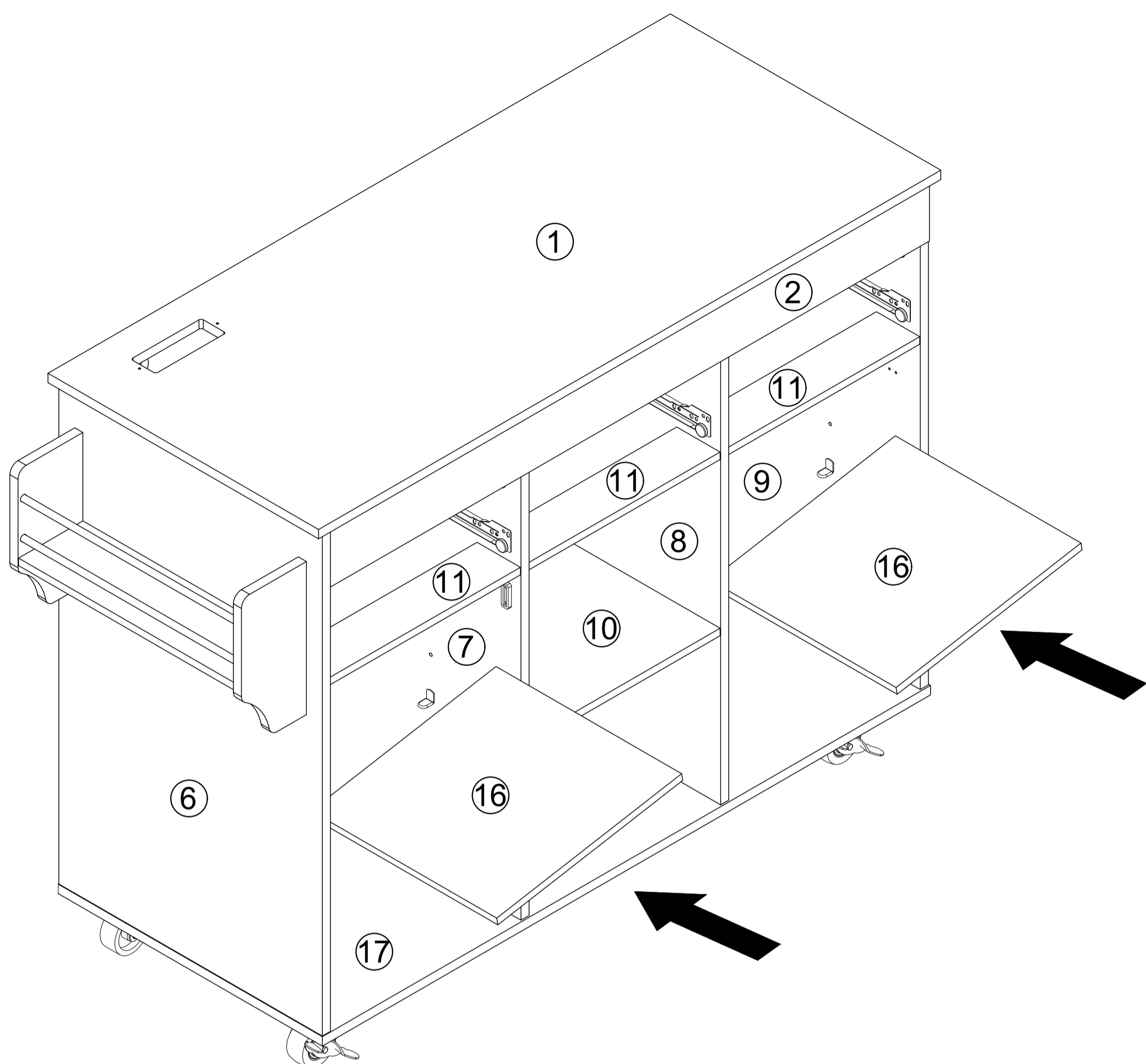


Before installation adjust the wheel to the non-braking position



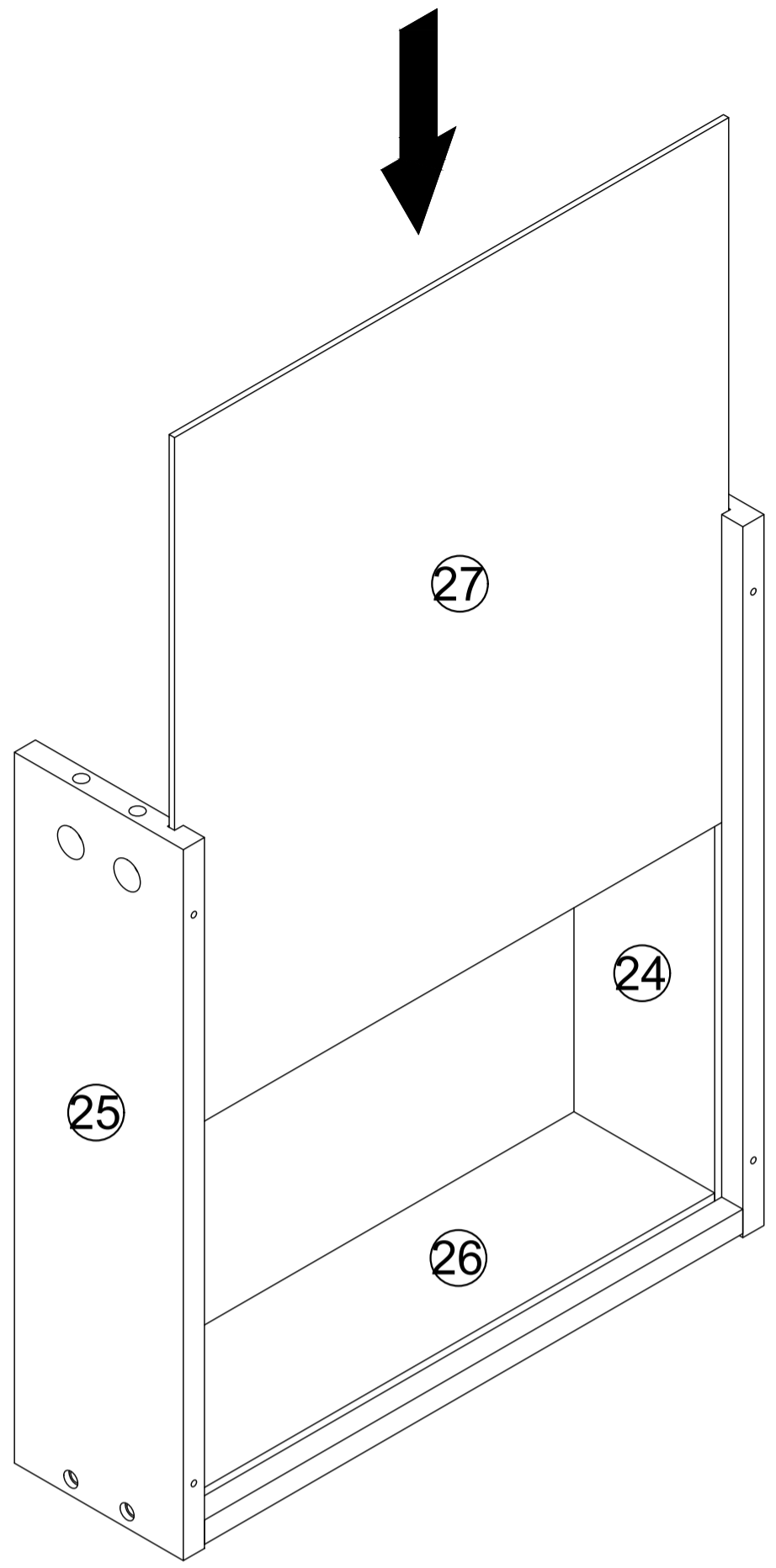
T	Q	S
3x12	3x16	3.5x14



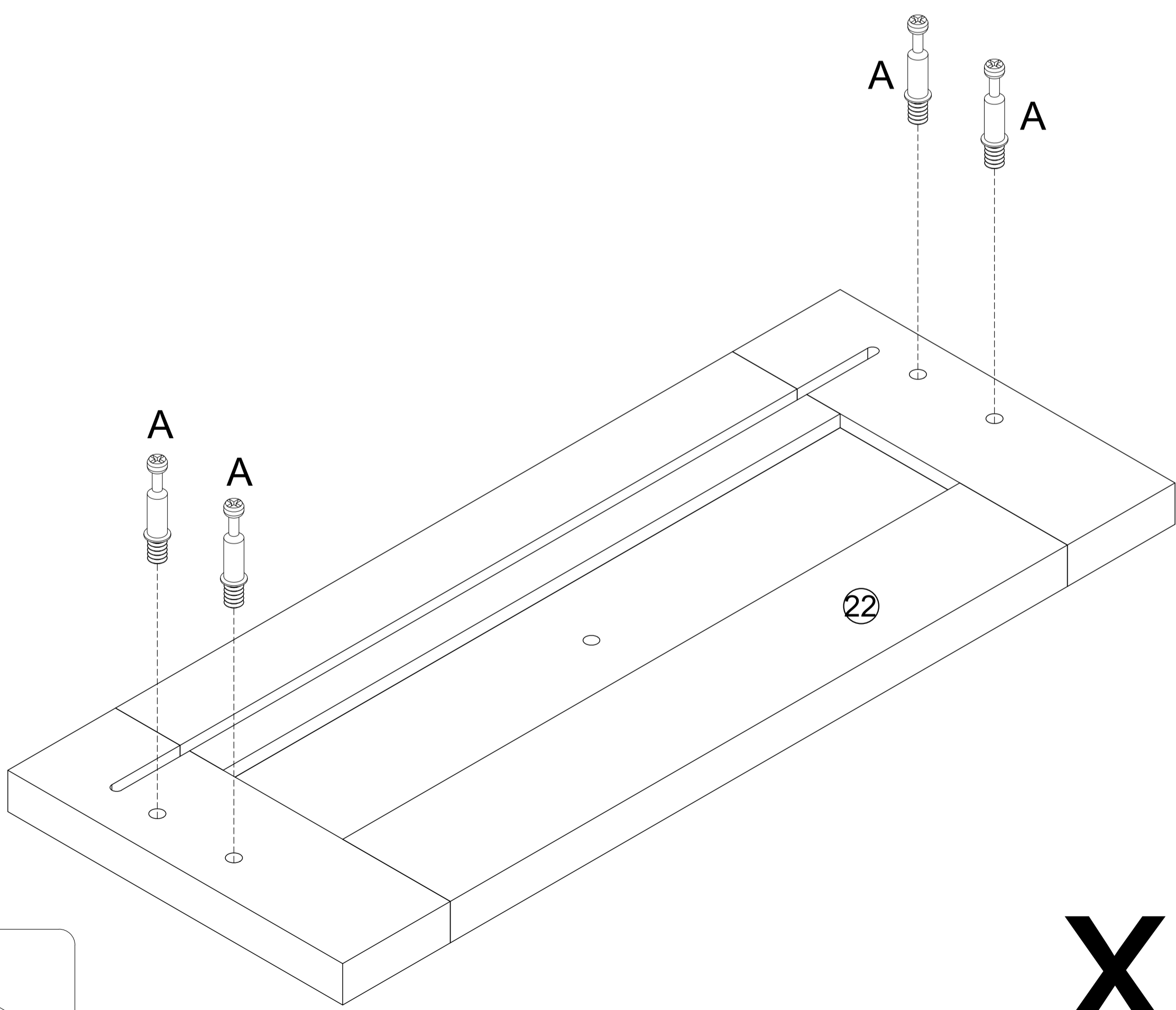


x3

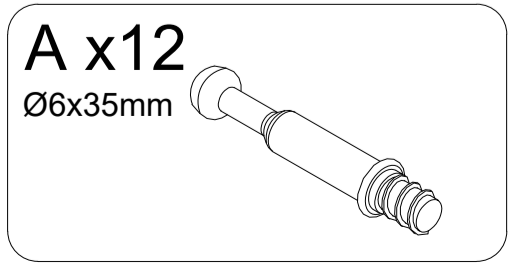
The thin plate needs to be fully inserted into the groove. If the insertion is not smooth, you can try pressing from the front or the back to make adjustments until the thin plate is fully inserted into the groove.

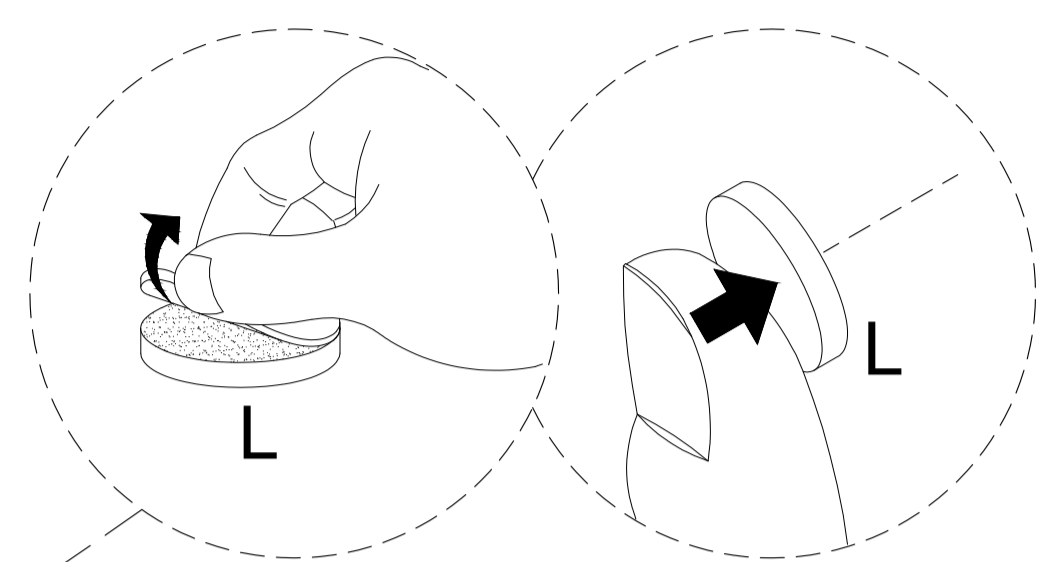
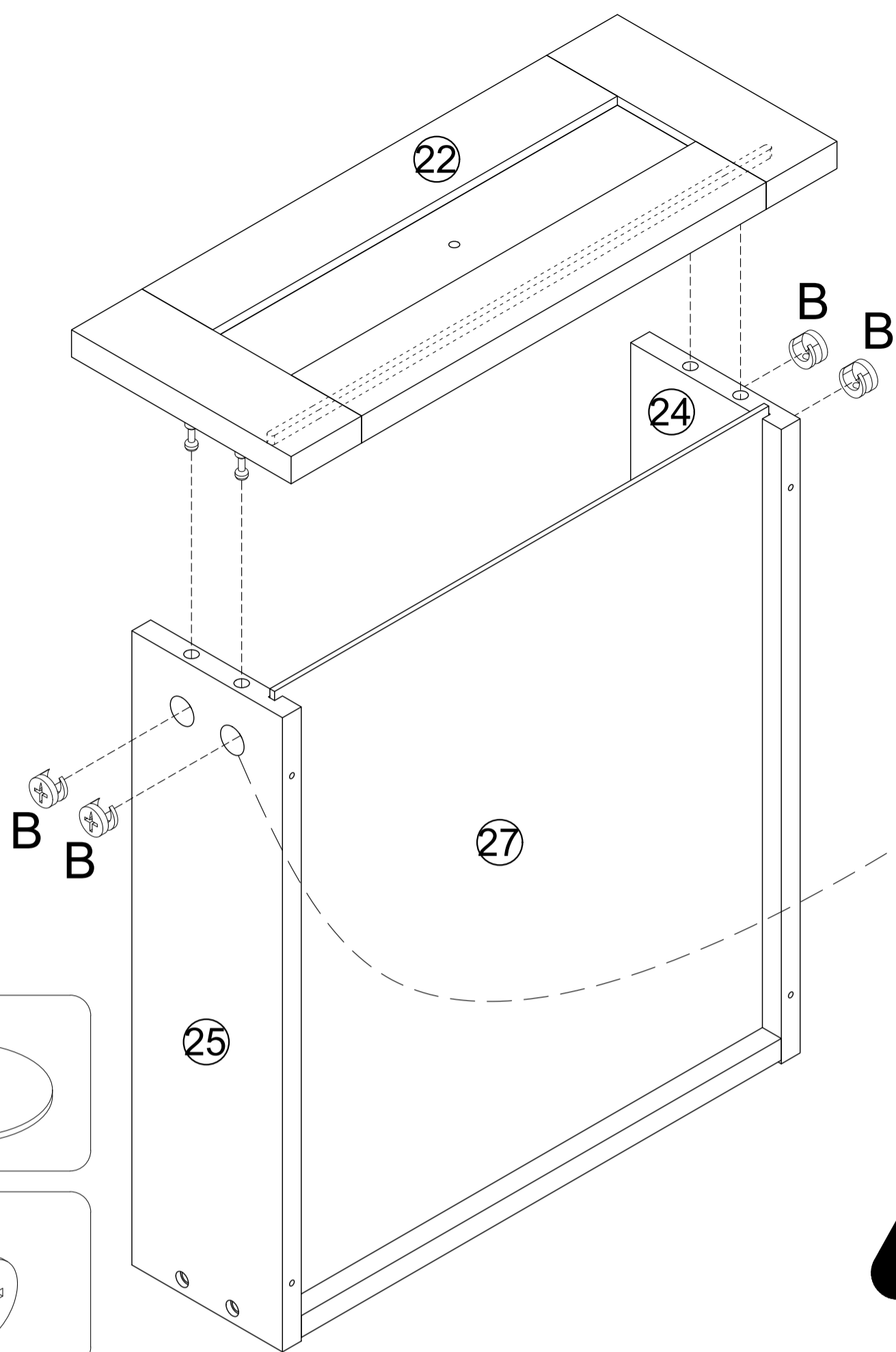


x3



x3





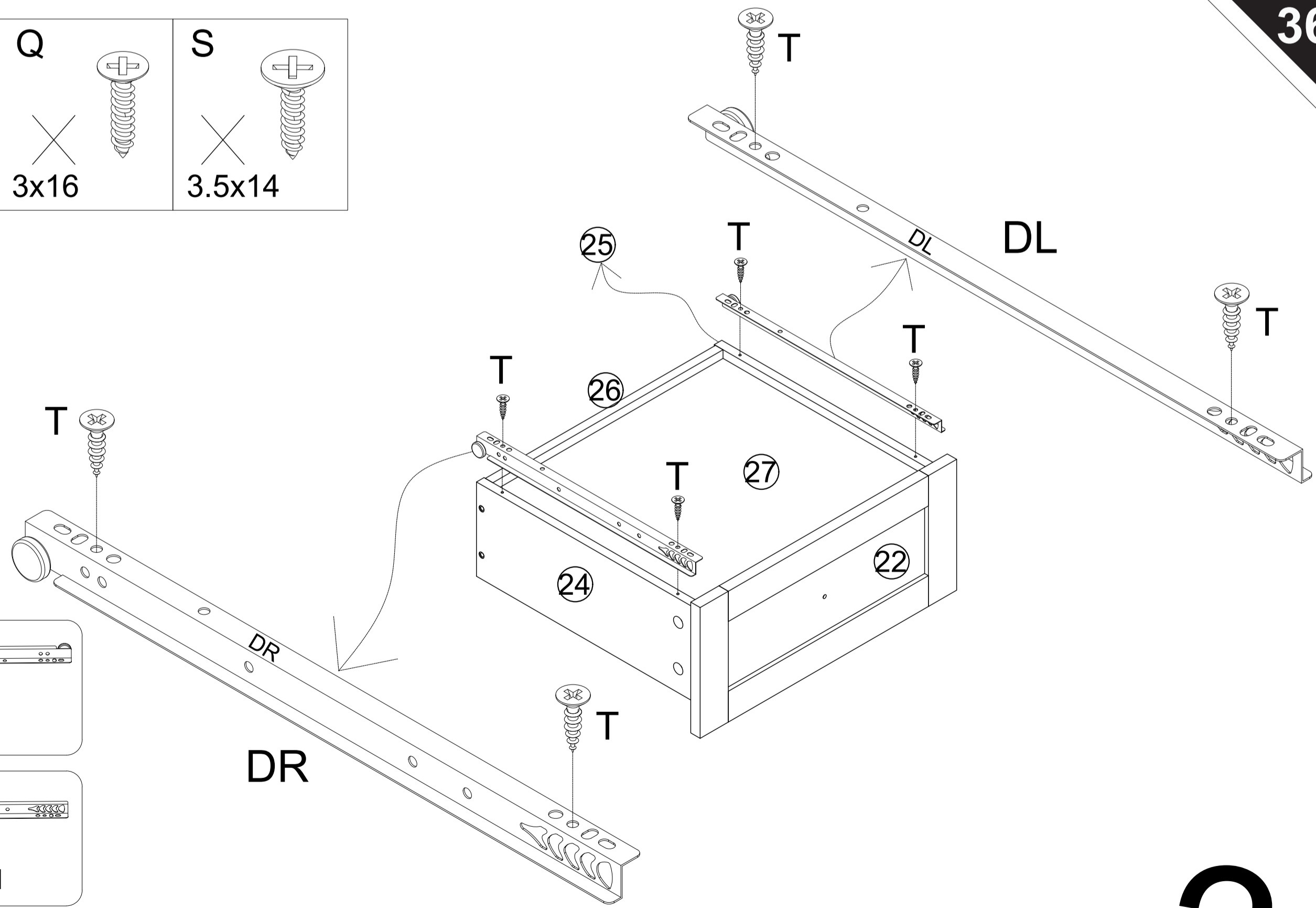
Cover the visible hole with a cap

- L x12
- B x12
Ø15x10mm



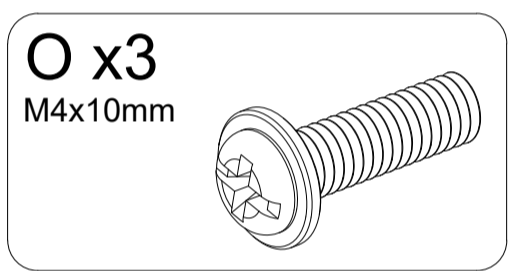
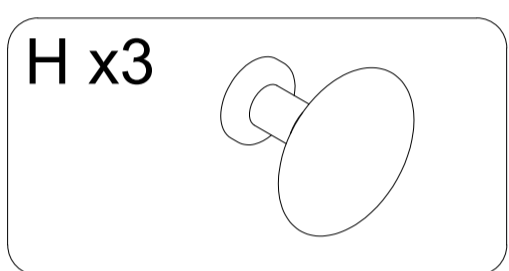
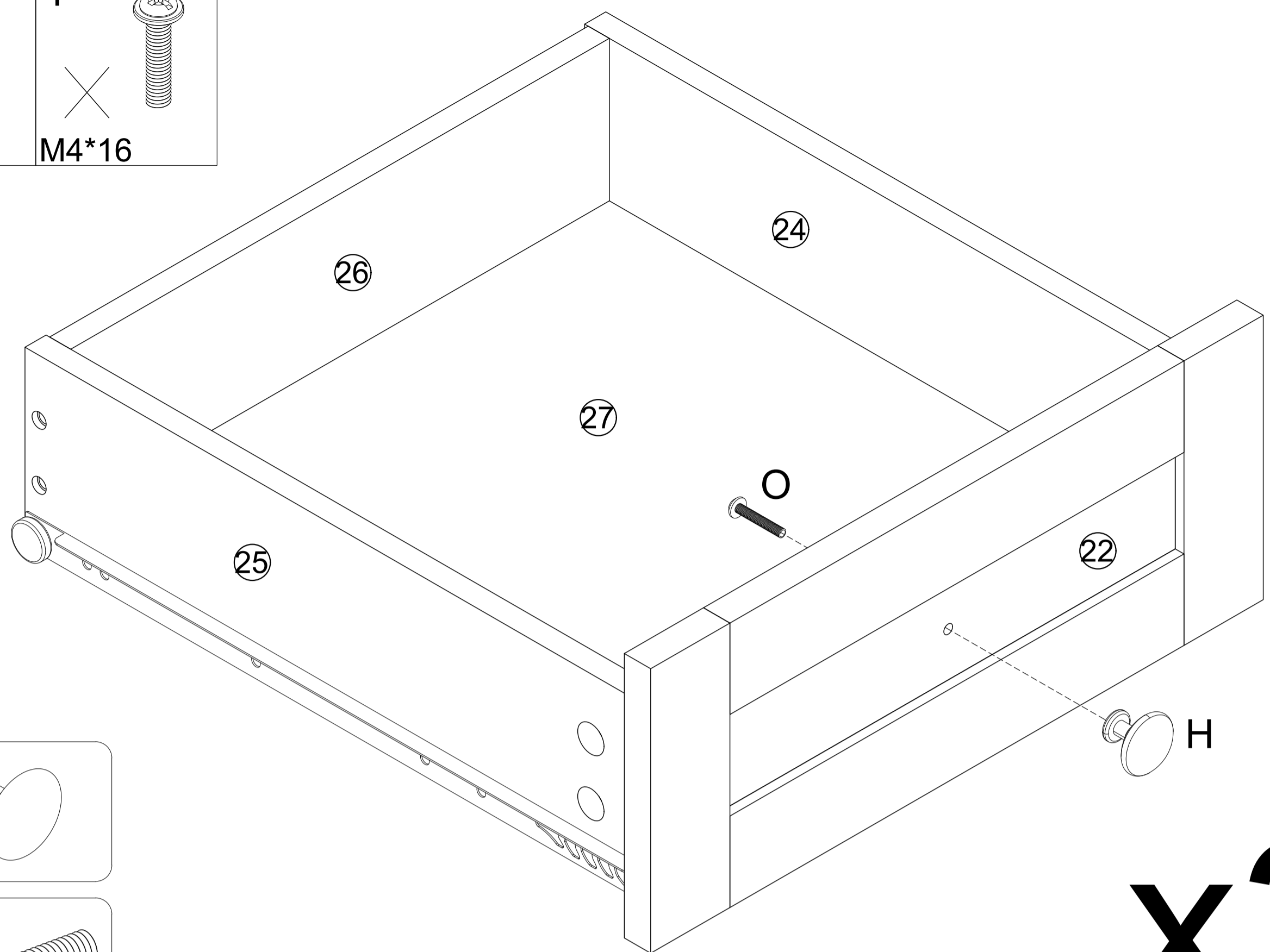
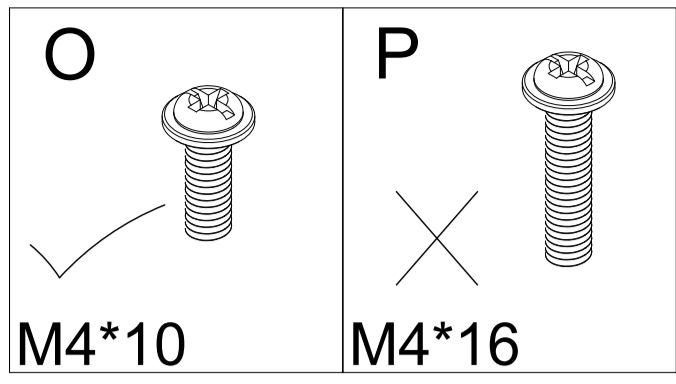
x3

- | | | |
|--------------------|--------------------|----------------------|
| T
✓
3x12
 | Q
✗
3x16
 | S
✗
3.5x14
 |
|--------------------|--------------------|----------------------|

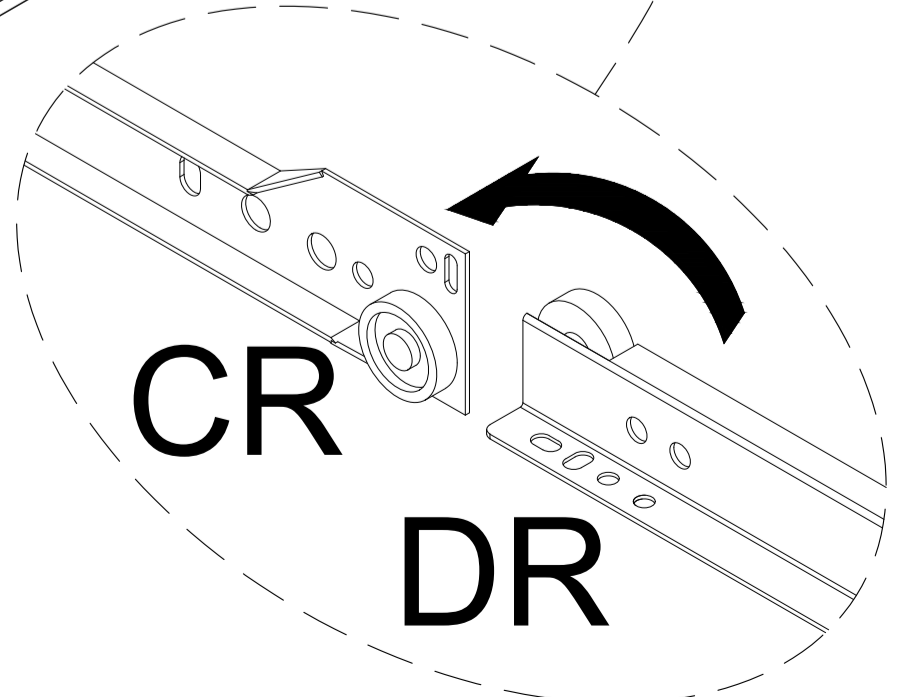
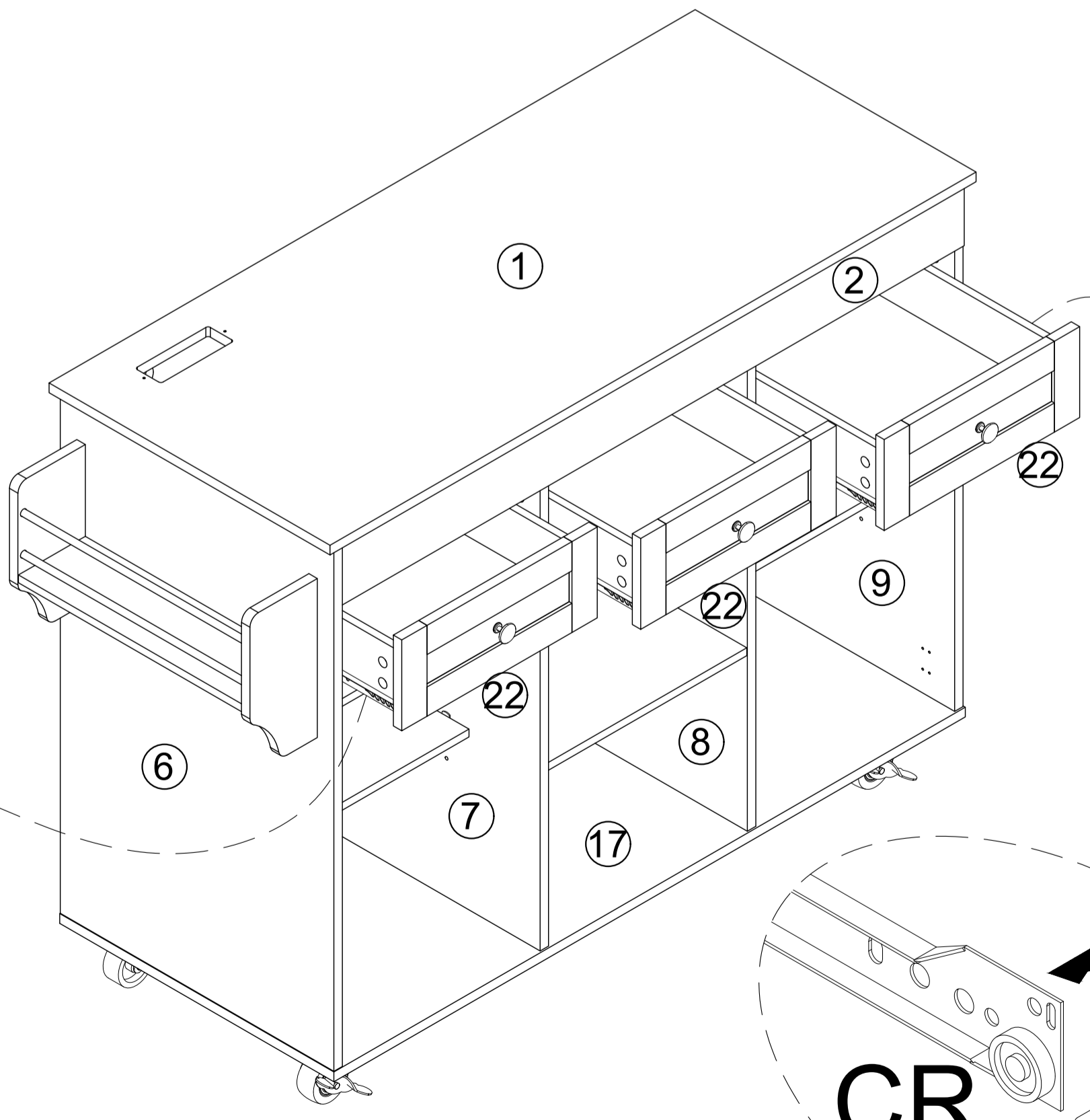
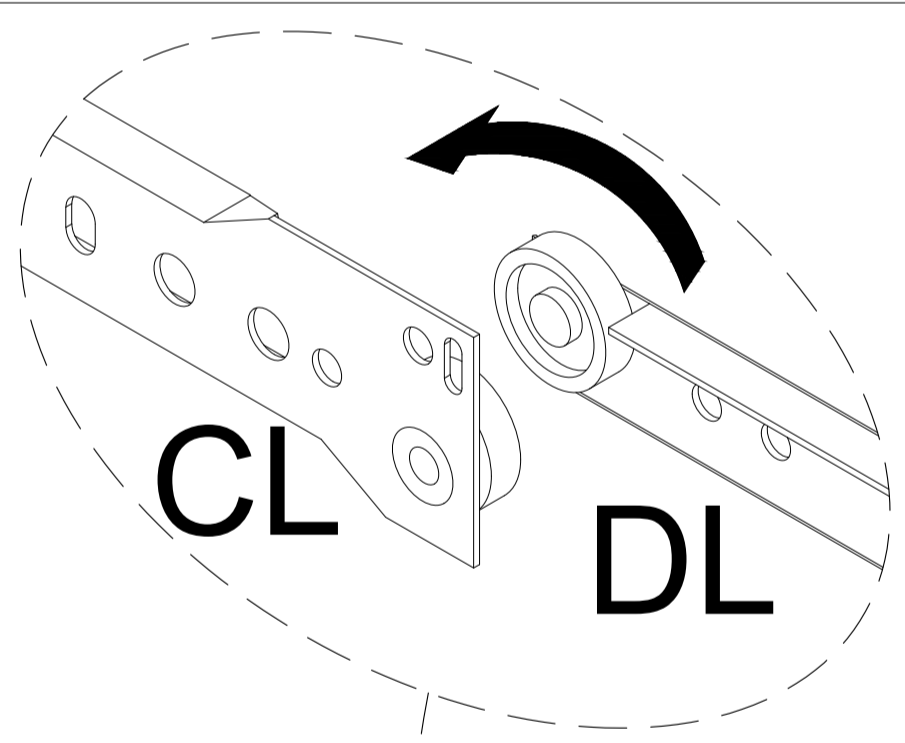


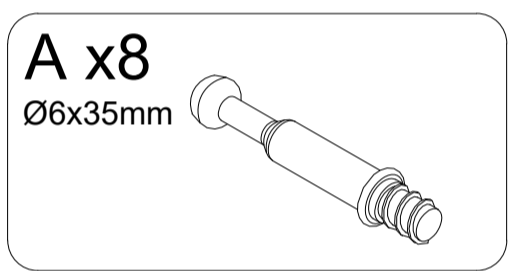
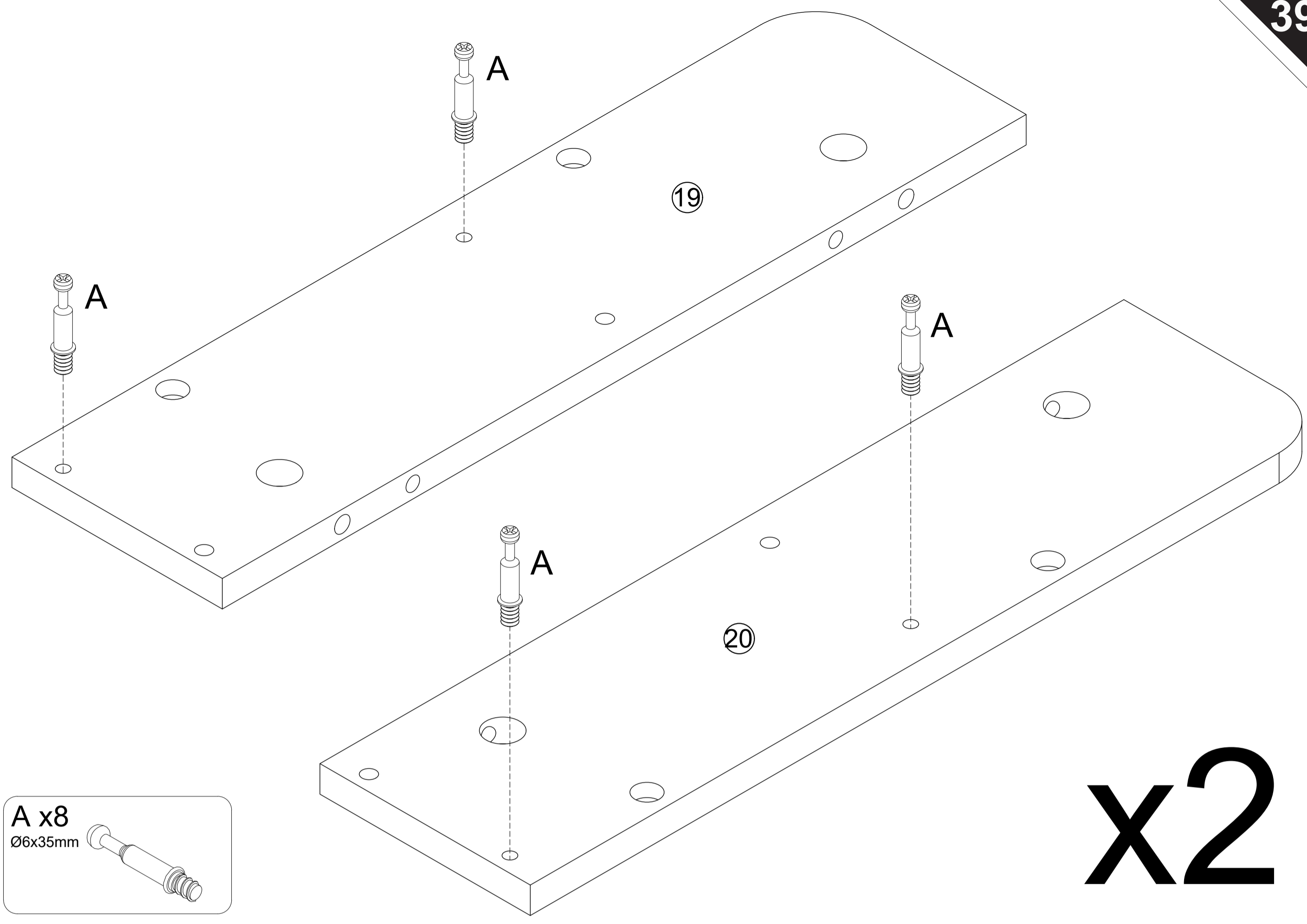
- DL X3
350MM
- DR X3
350MM
- T x12
3x12mm

x3

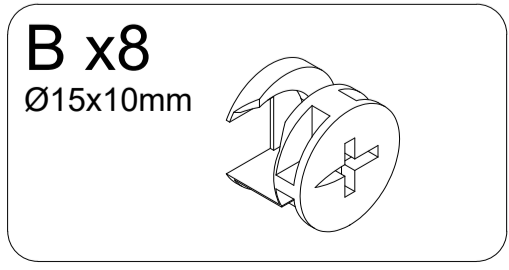
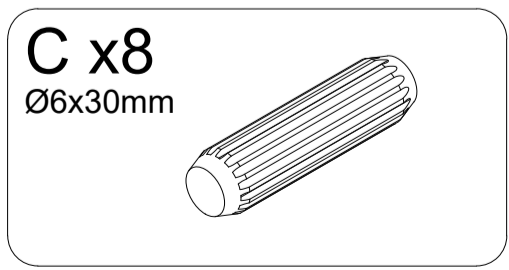
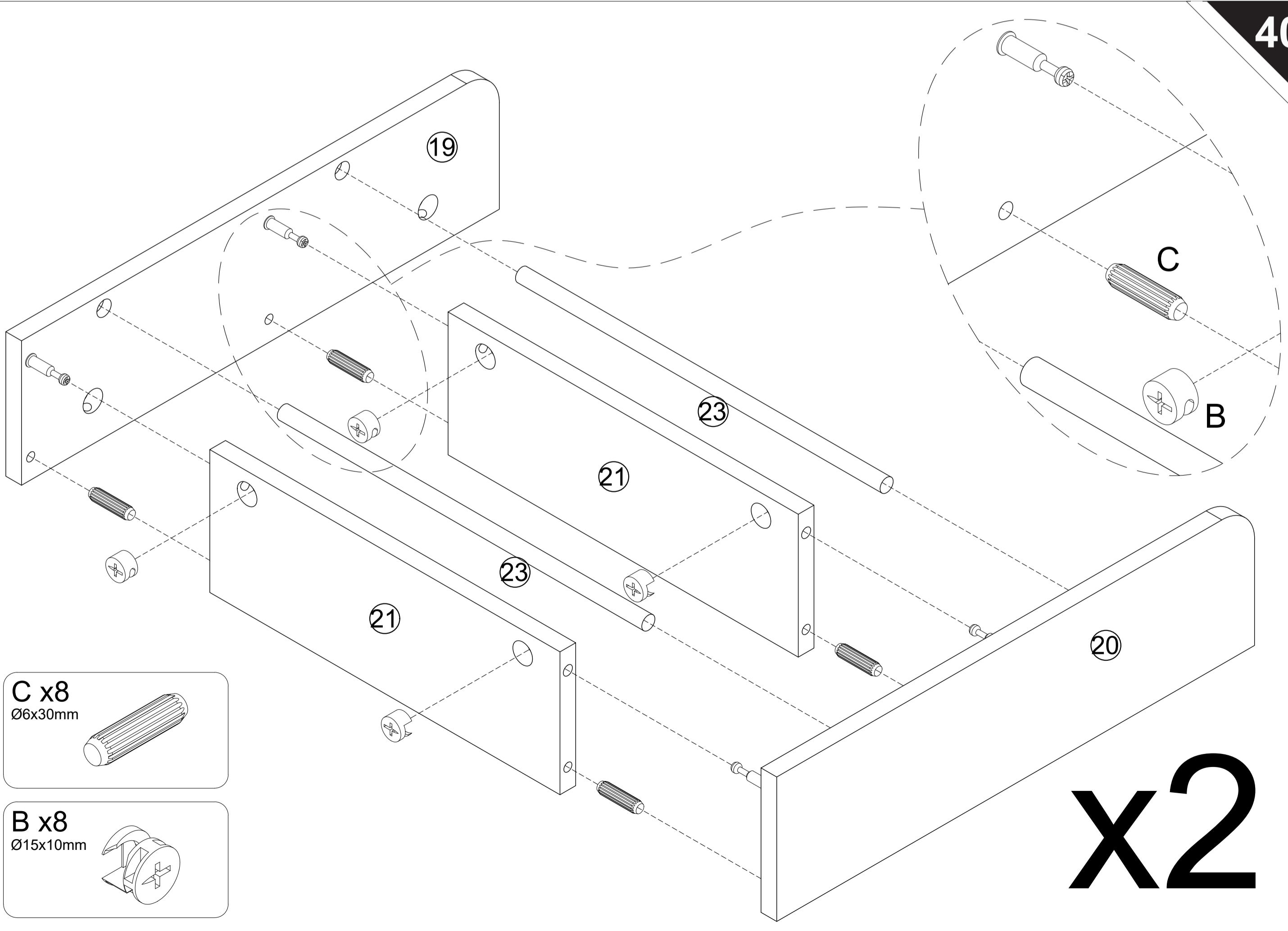


x3

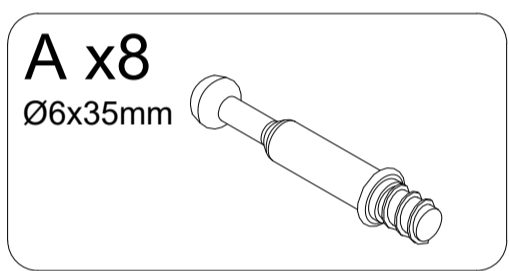
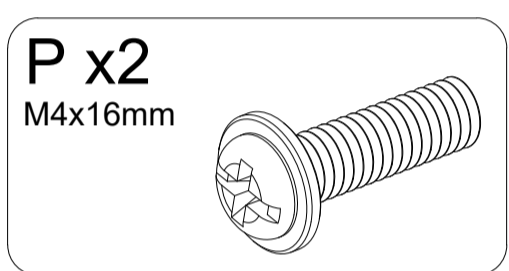
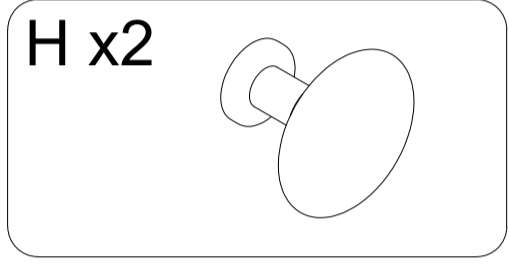
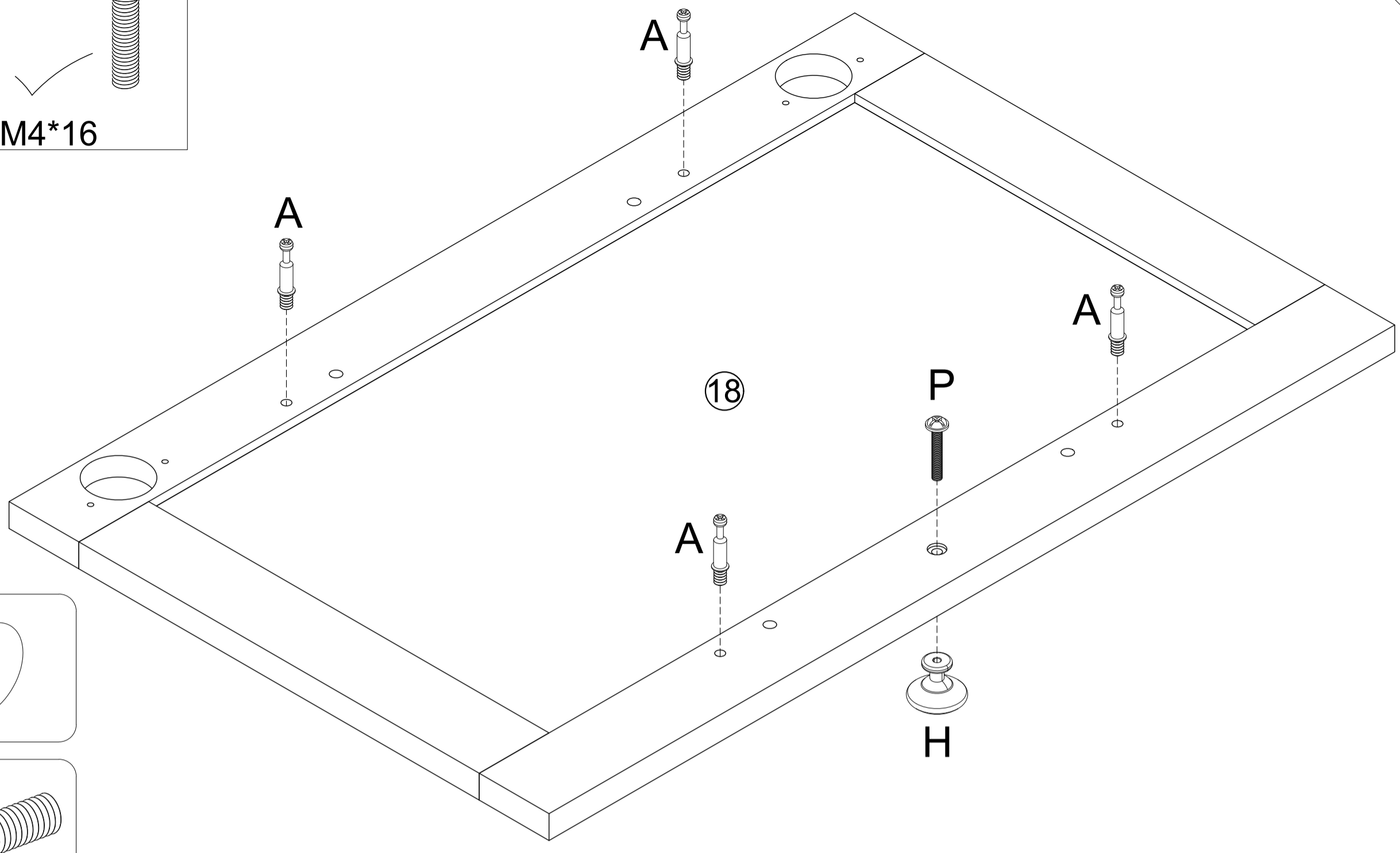
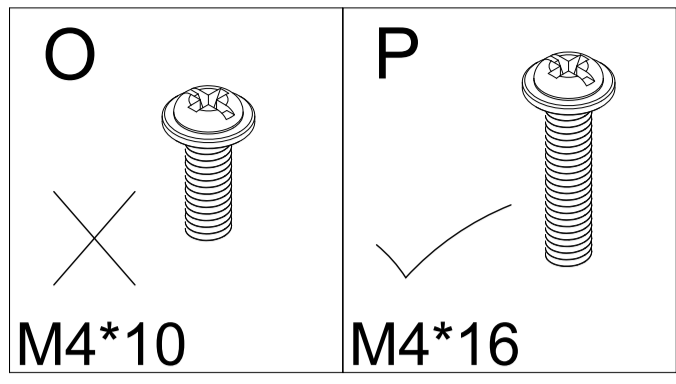




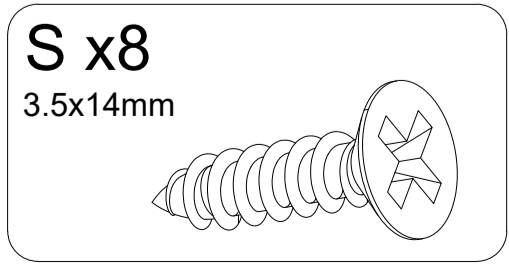
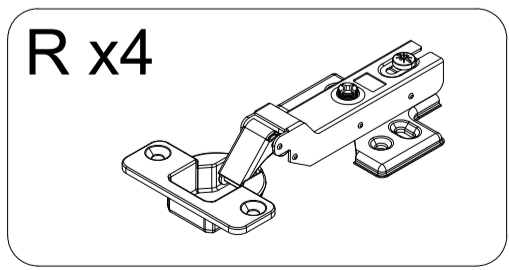
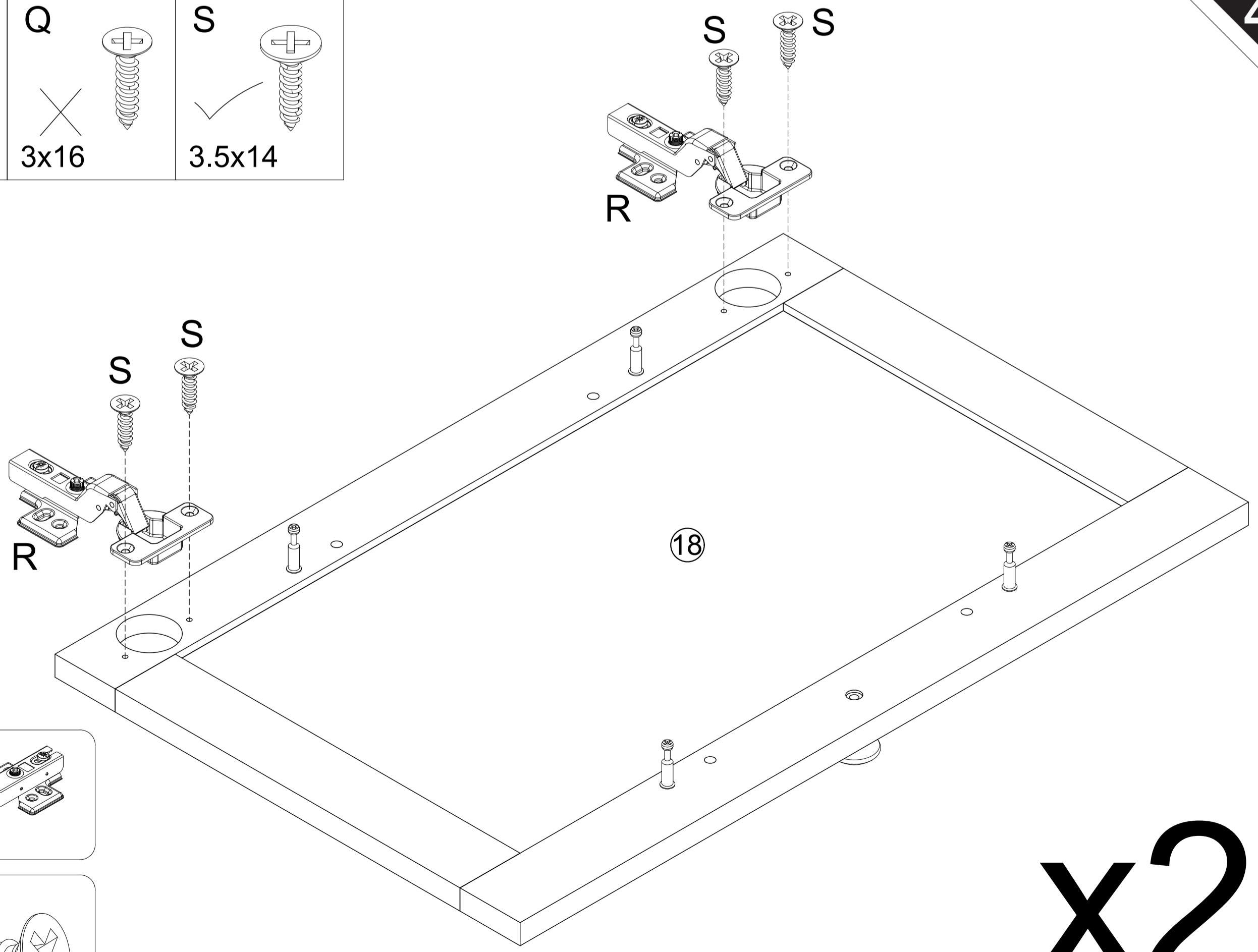
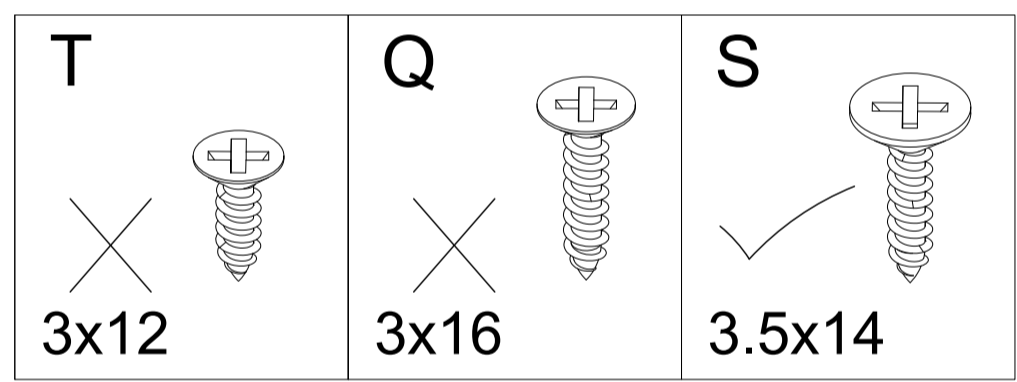
x2



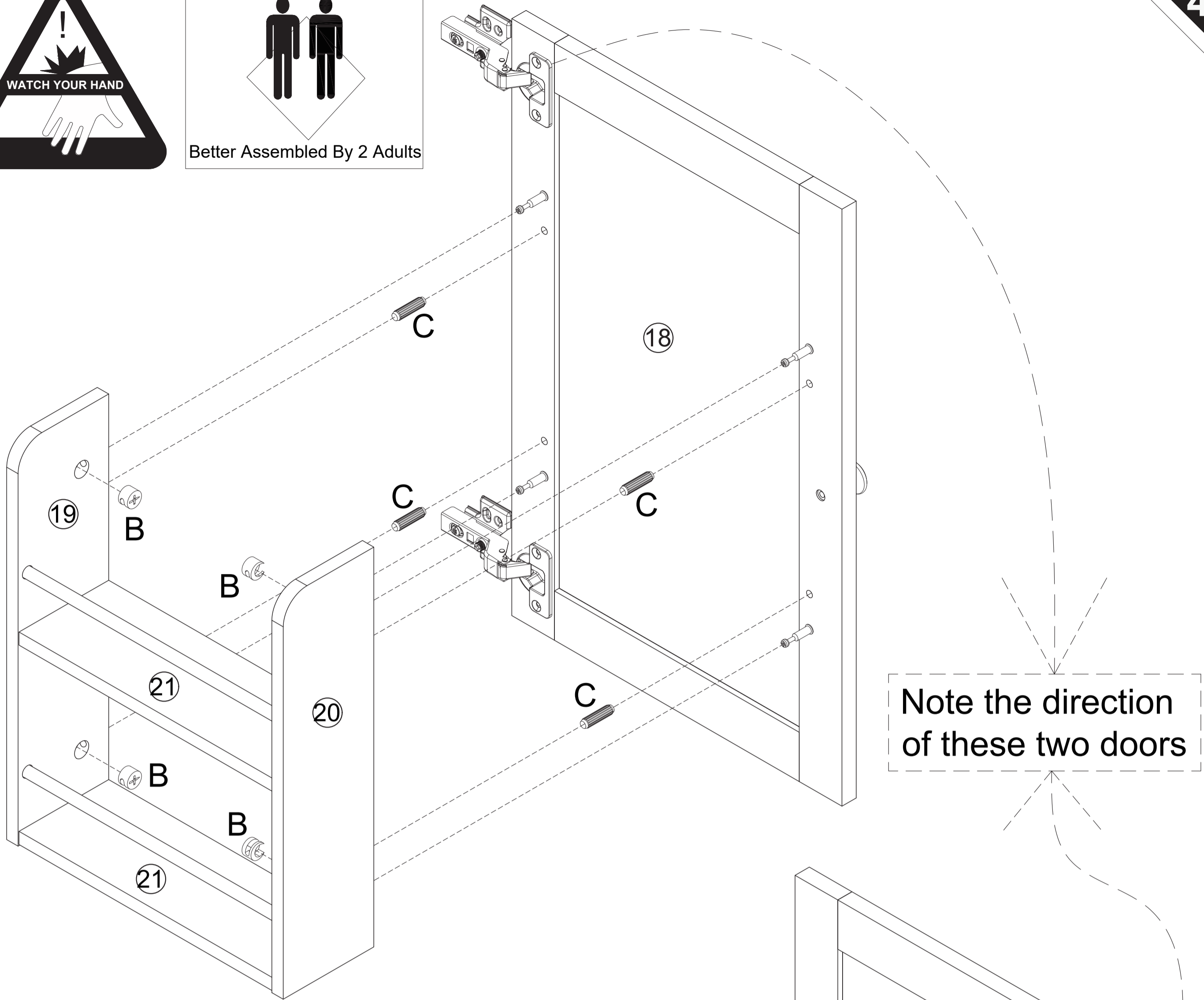
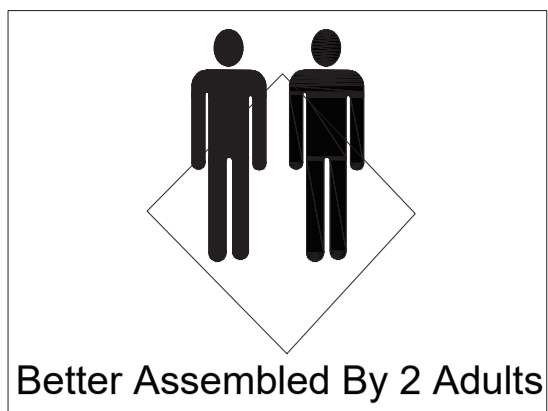
x2



x2



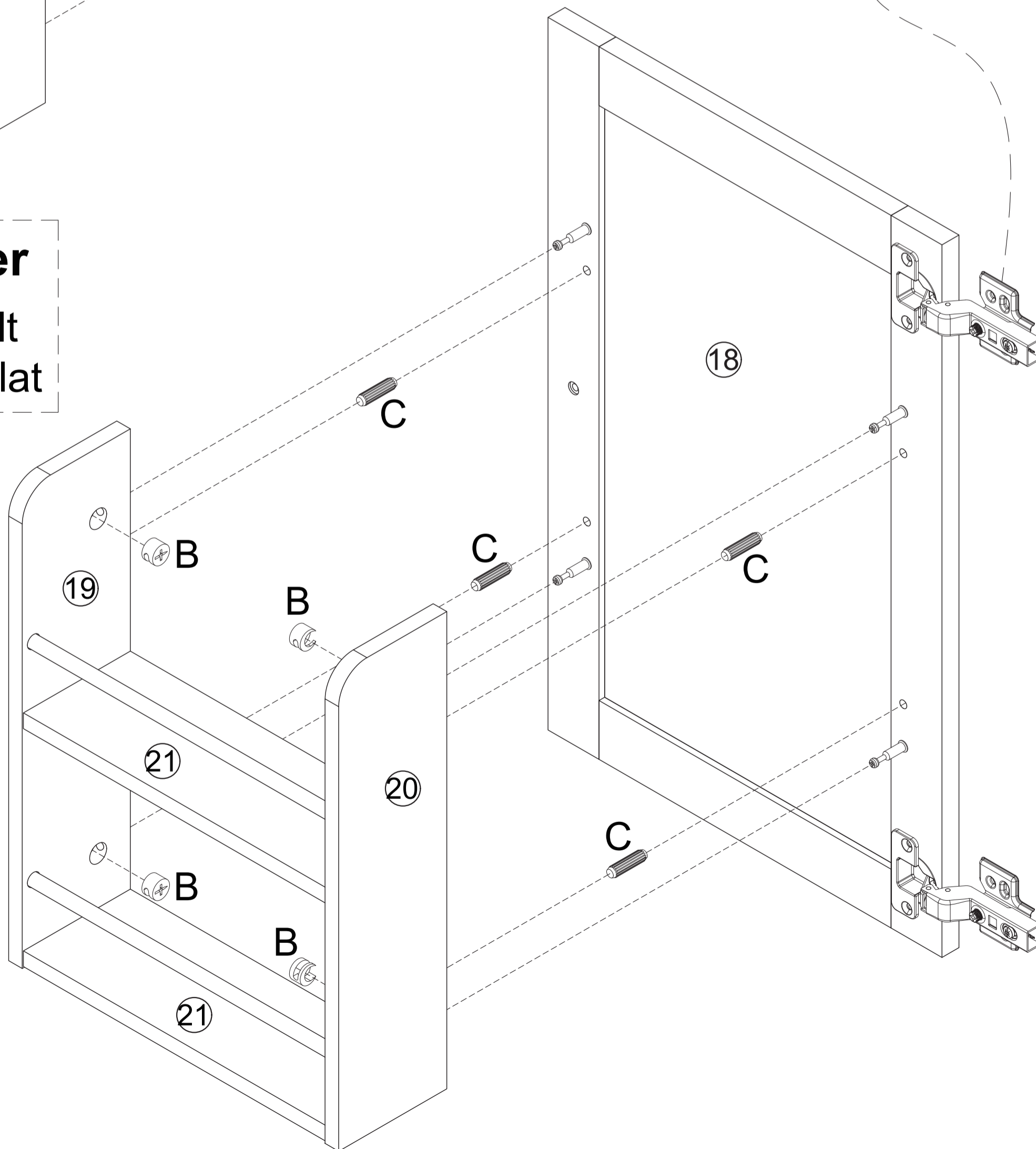
x2



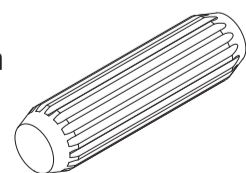
Note the direction of these two doors

Friendly Reminder

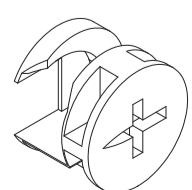
If installation is difficult it can be assembled flat

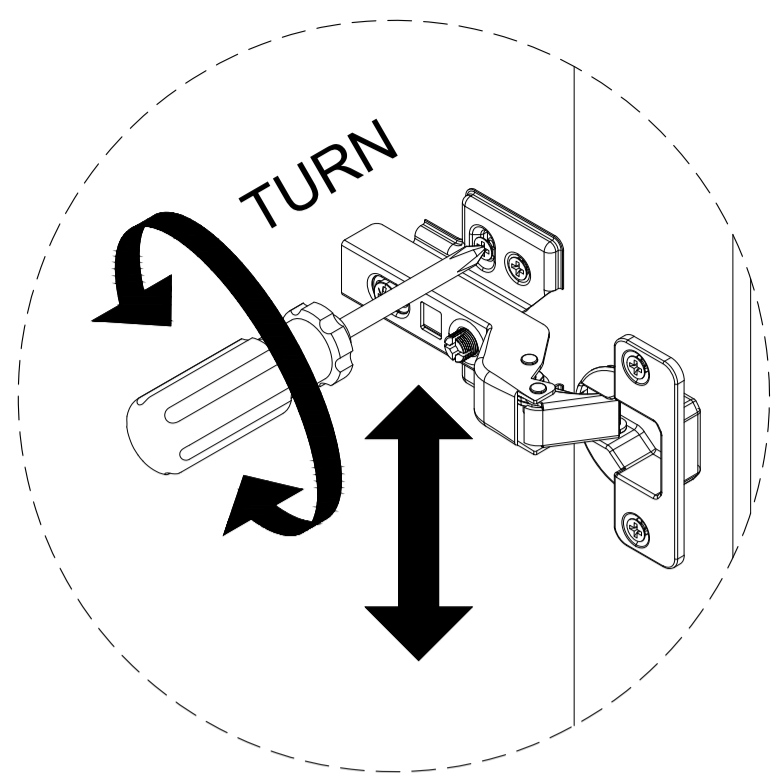


C x8
Ø6x30mm

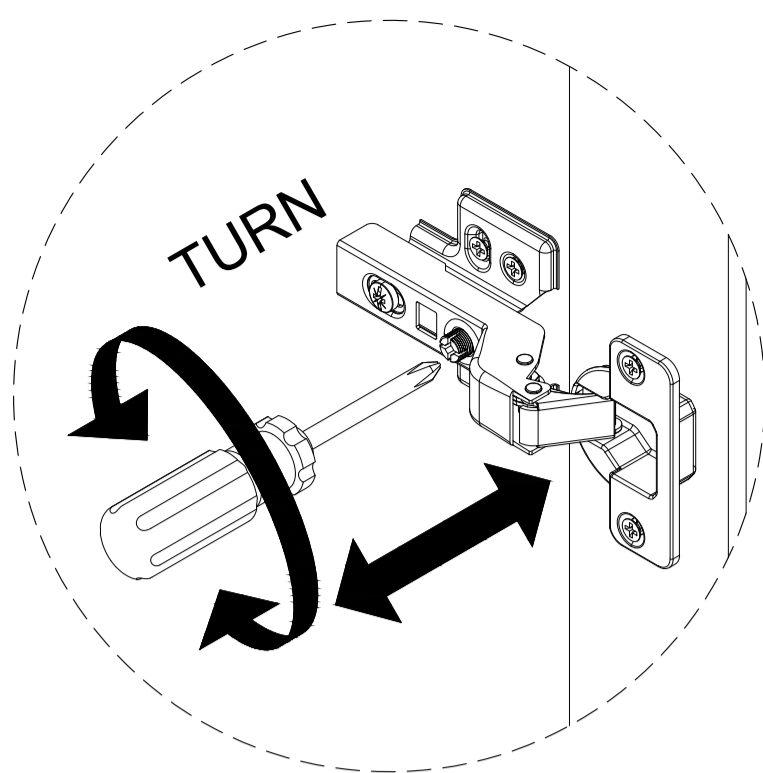


B x8
Ø15x10mm

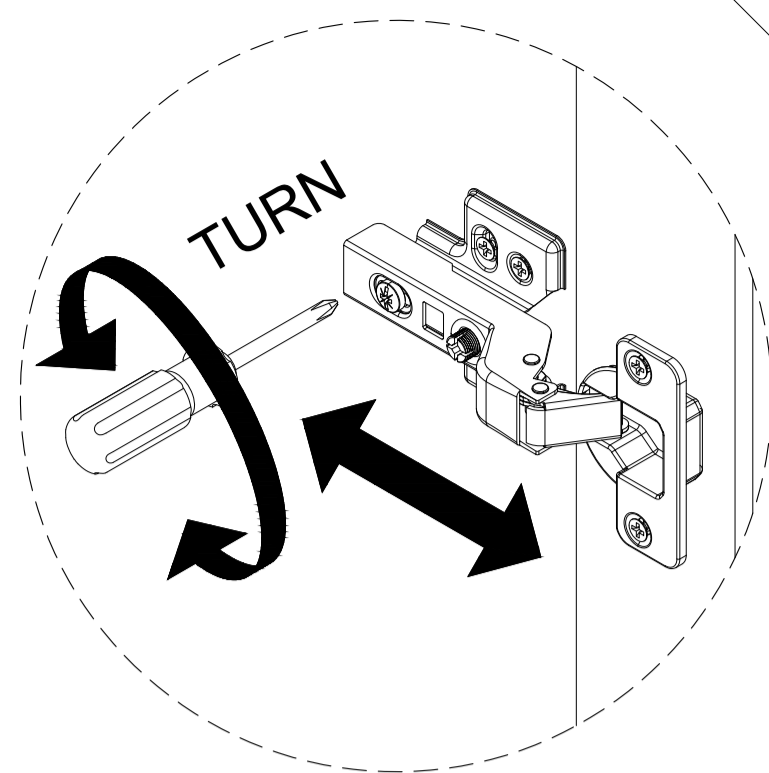




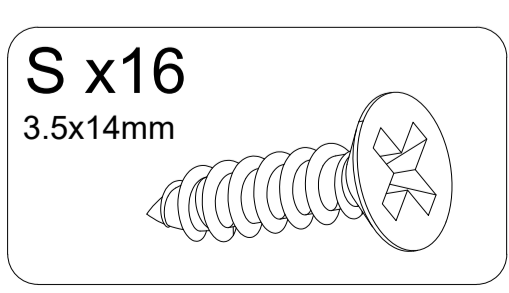
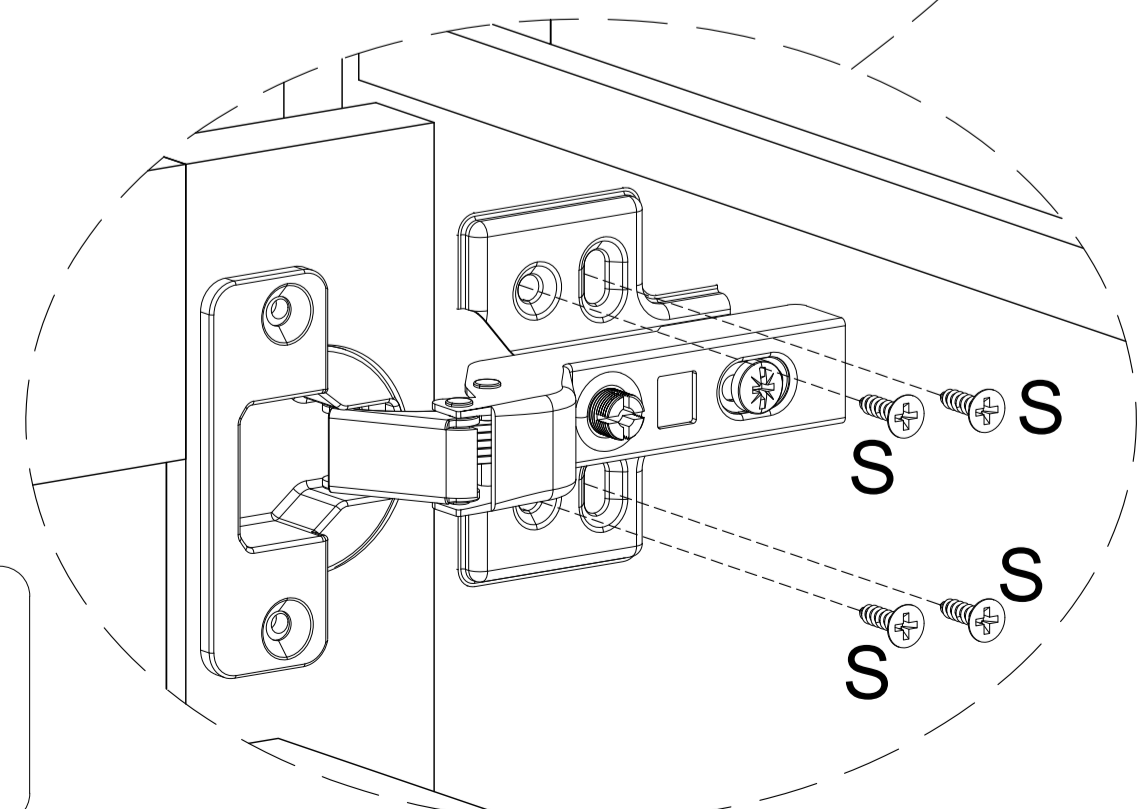
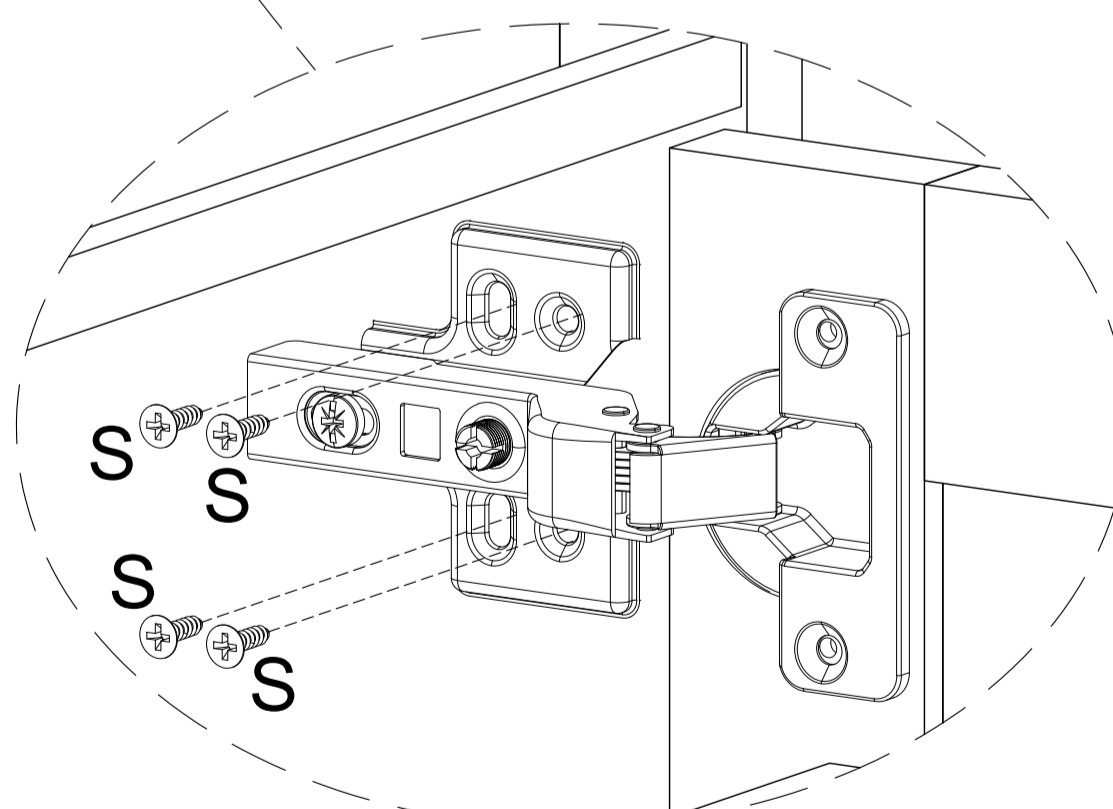
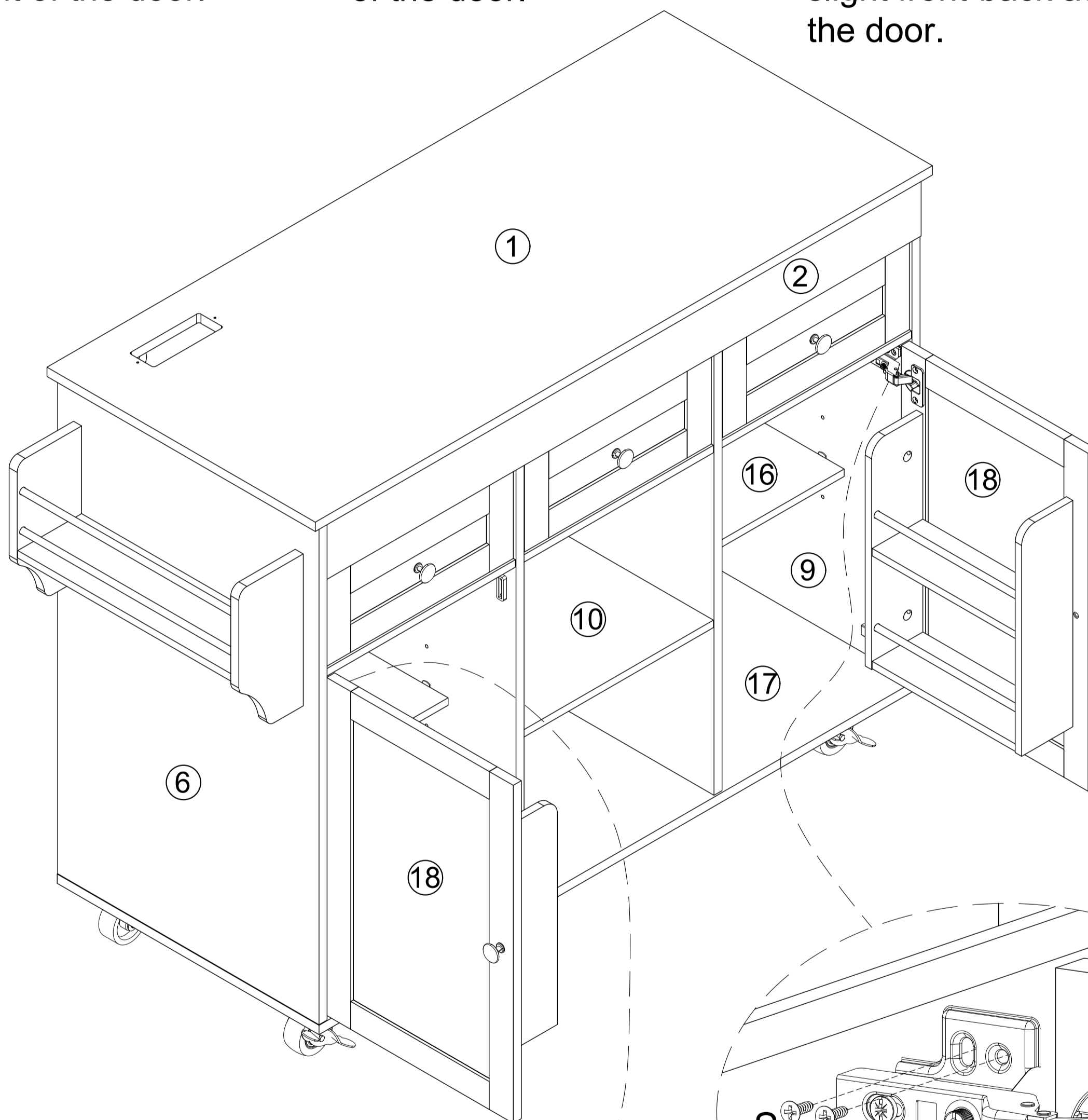
Loosen this screw and push up/down for a slight up-down adjustment of the door.



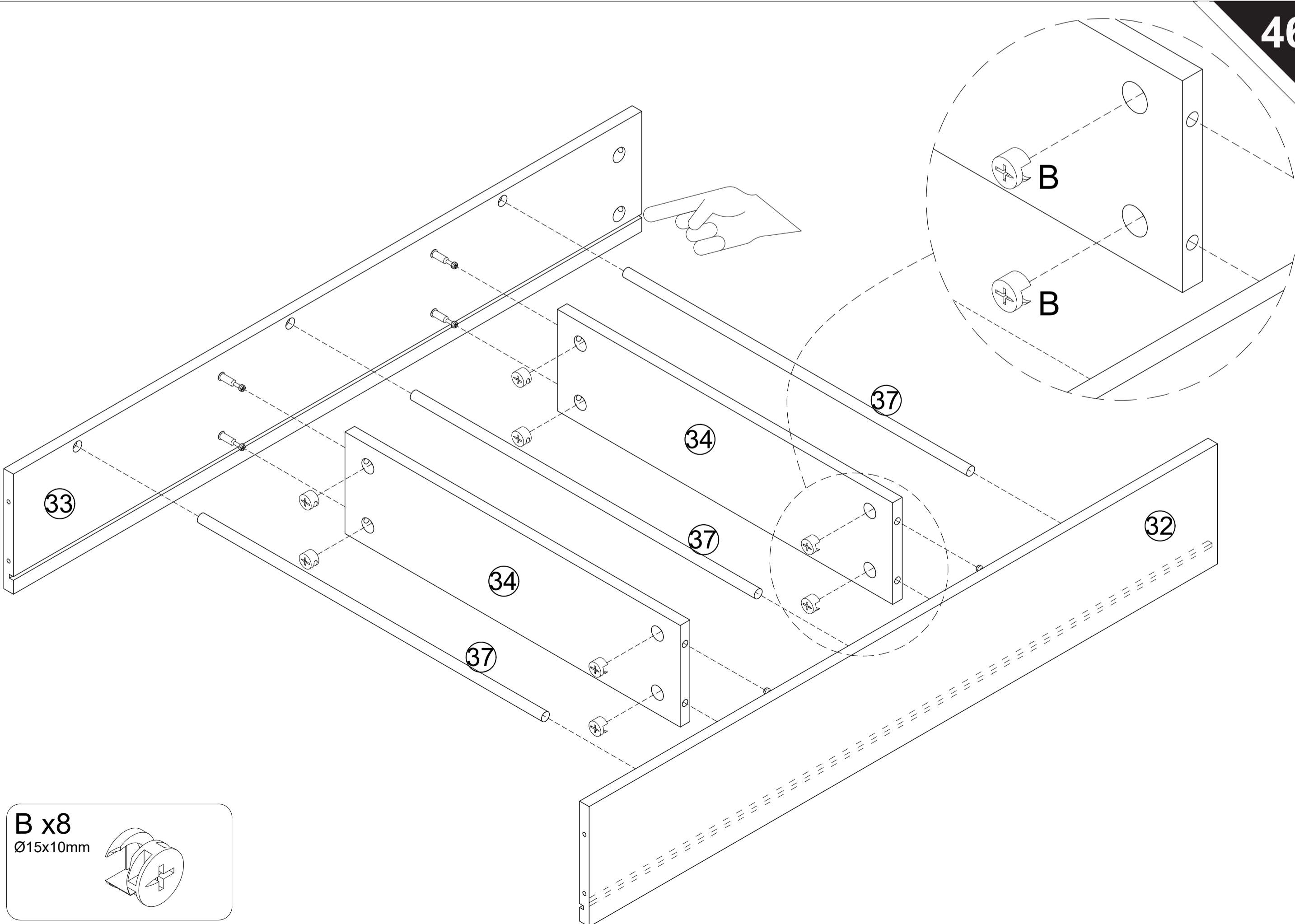
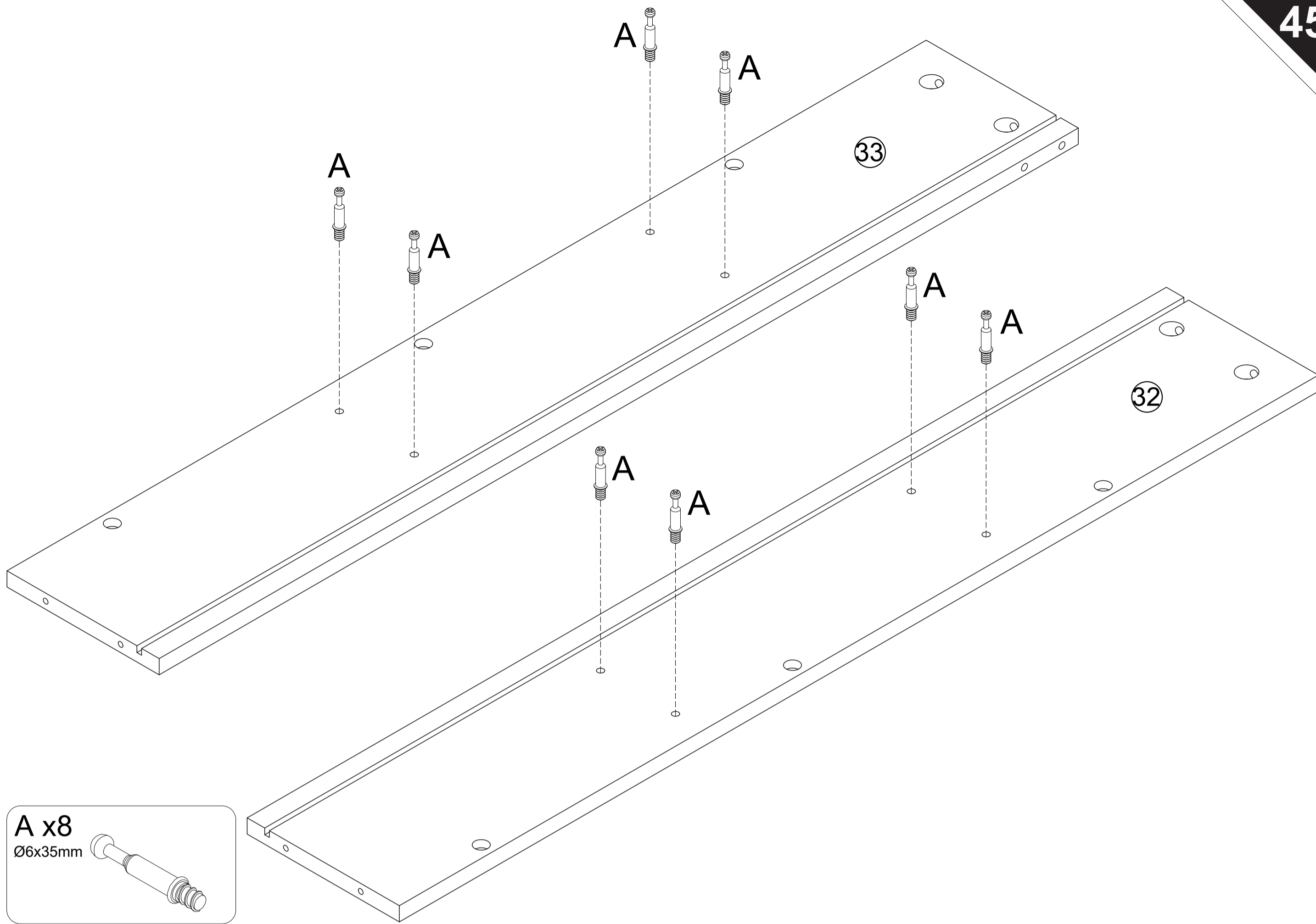
Loosen this screw for a slight left-right adjustment of the door.

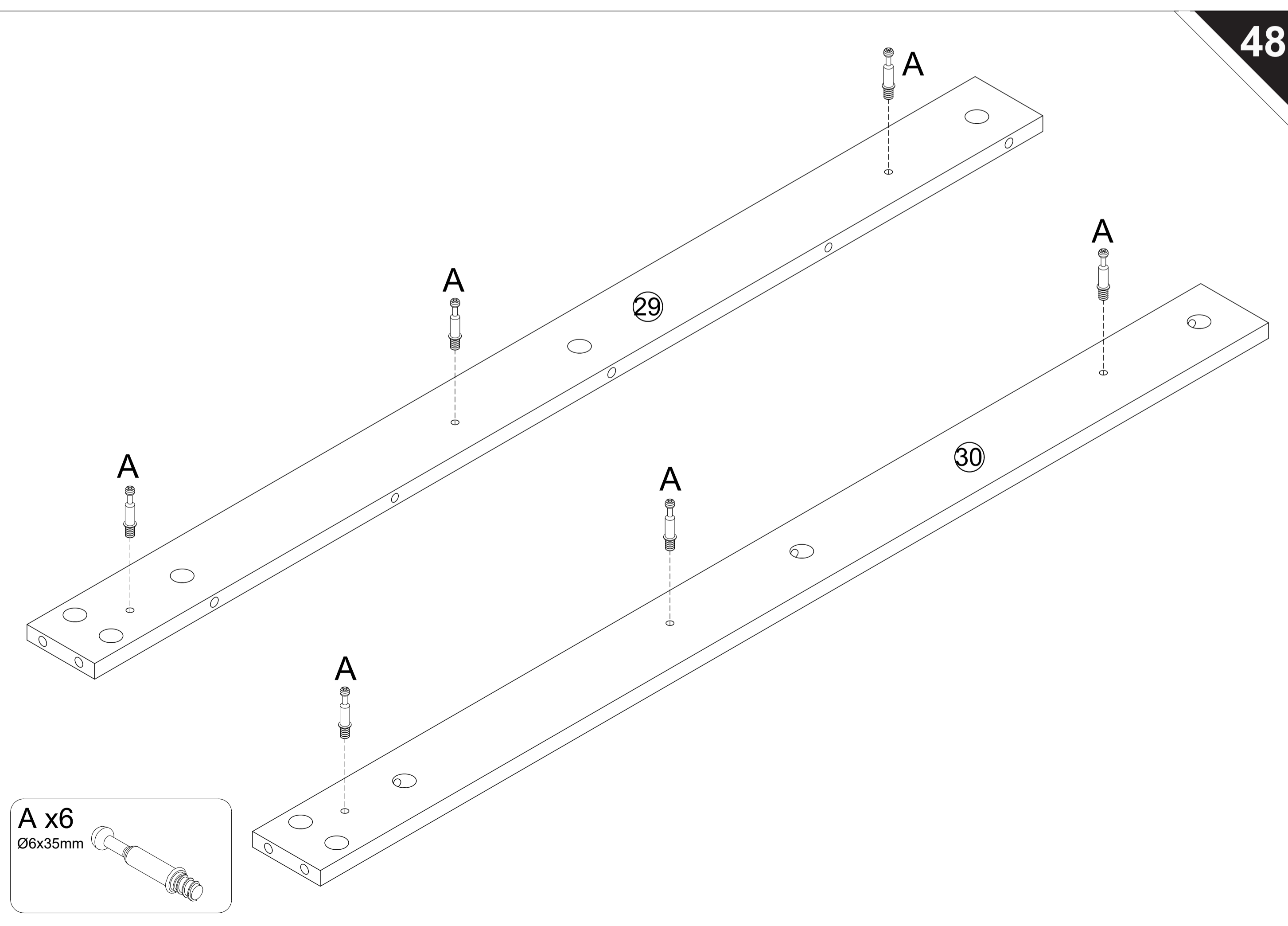
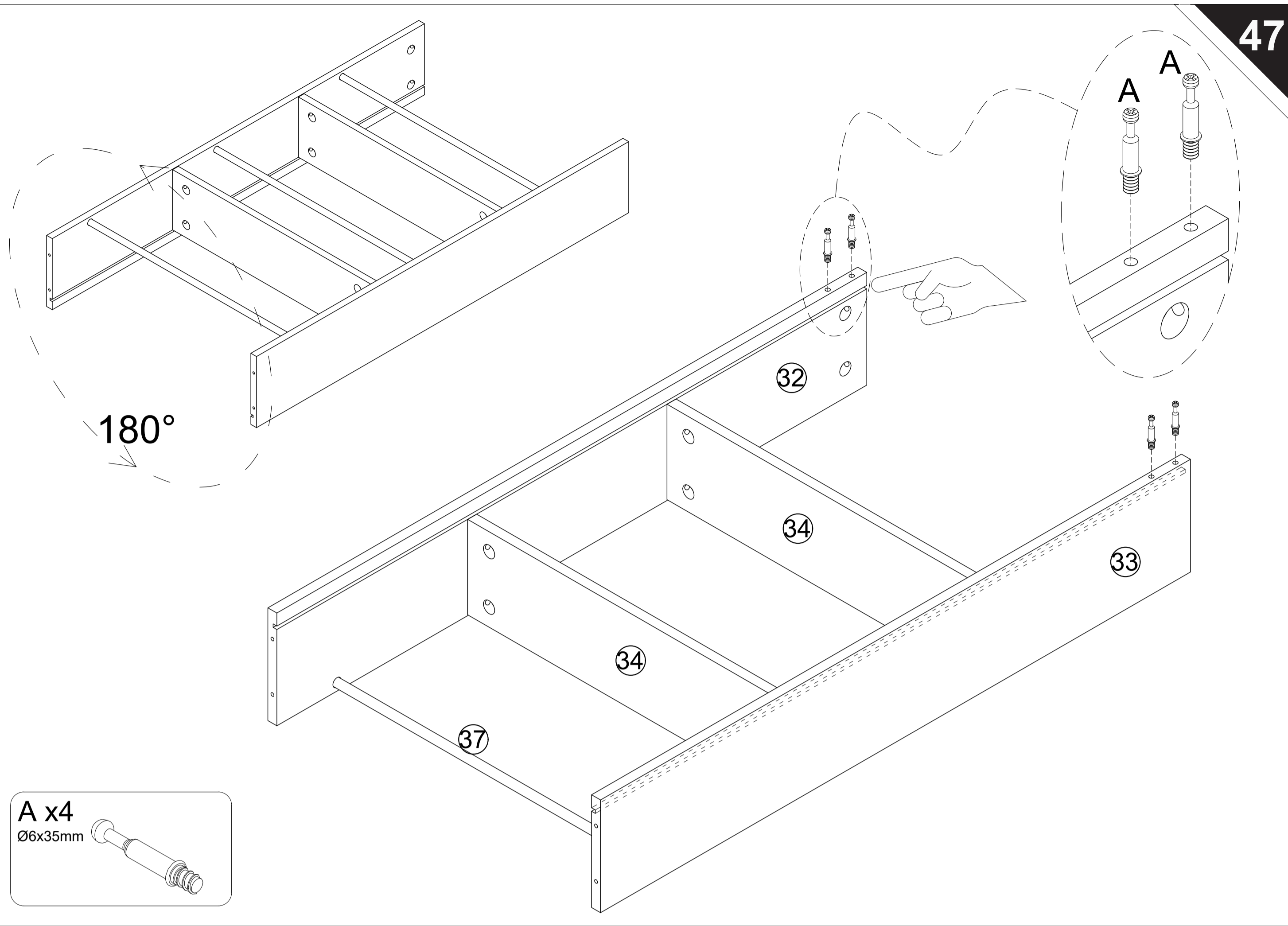


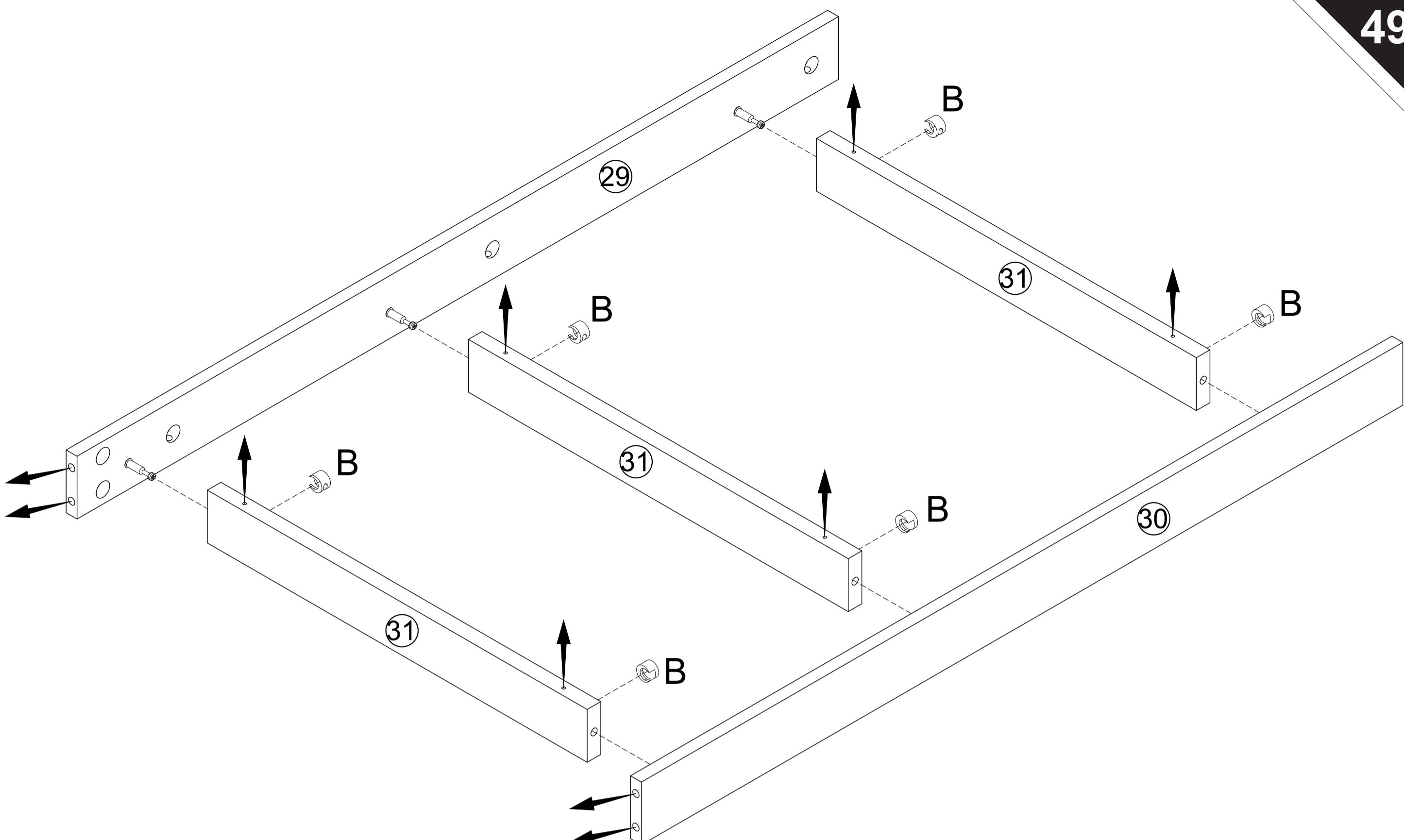
Loosen this screw and push forward/backward for a slight front-back adjustment of the door.



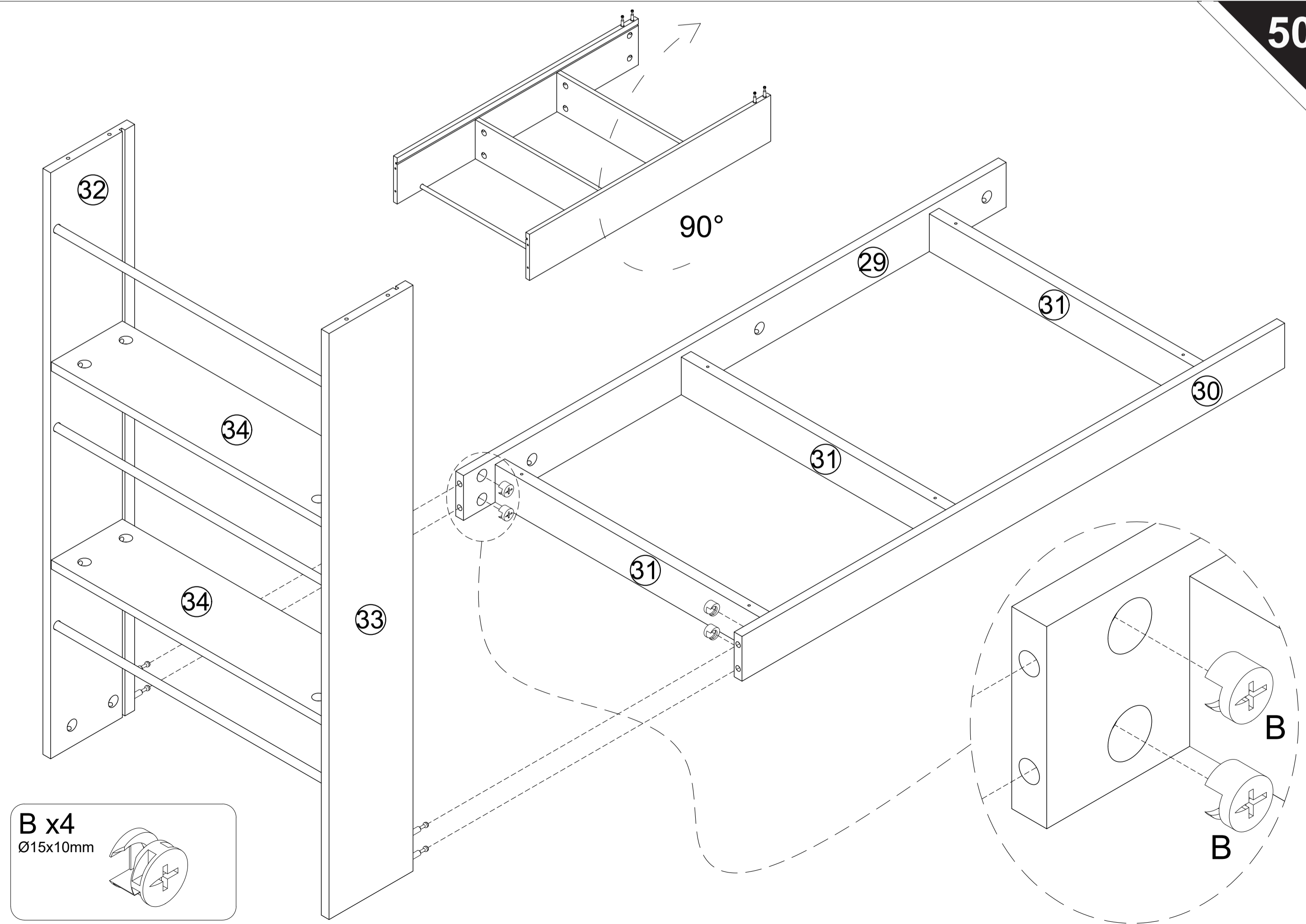
T	Q	S
3x12	3x16	3.5x14



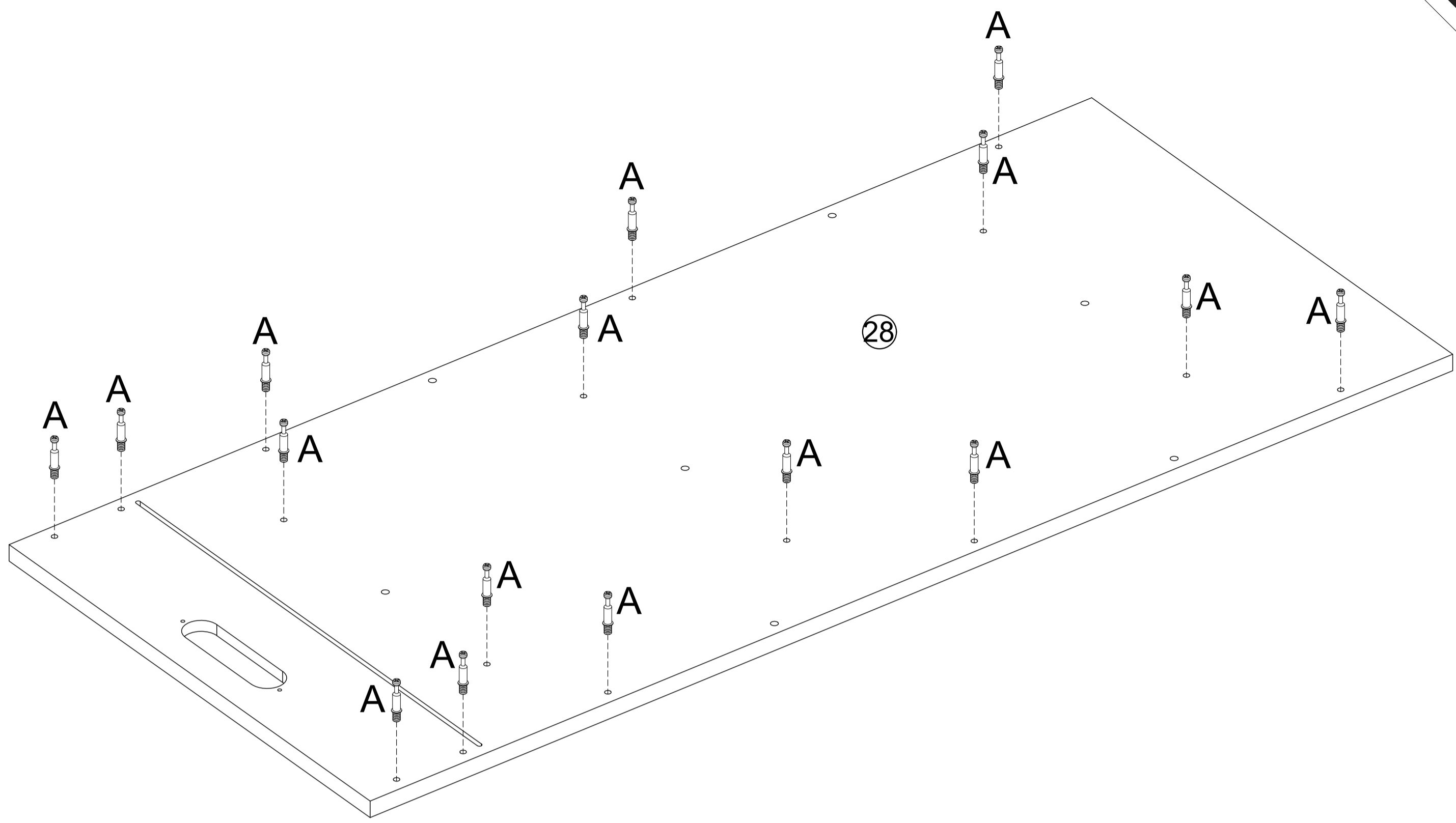




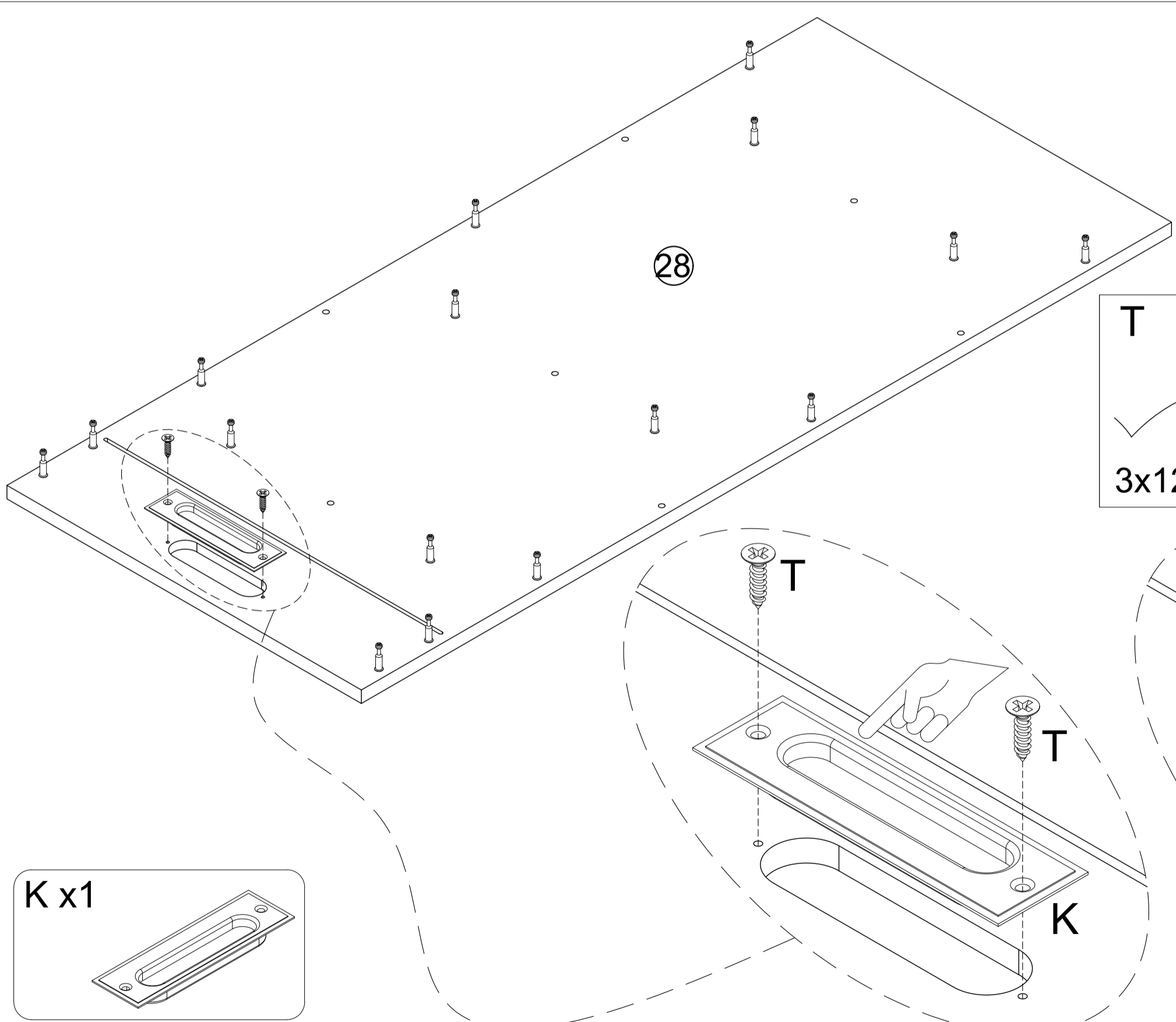
B x6
 Ø15x10mm



B x4
 Ø15x10mm



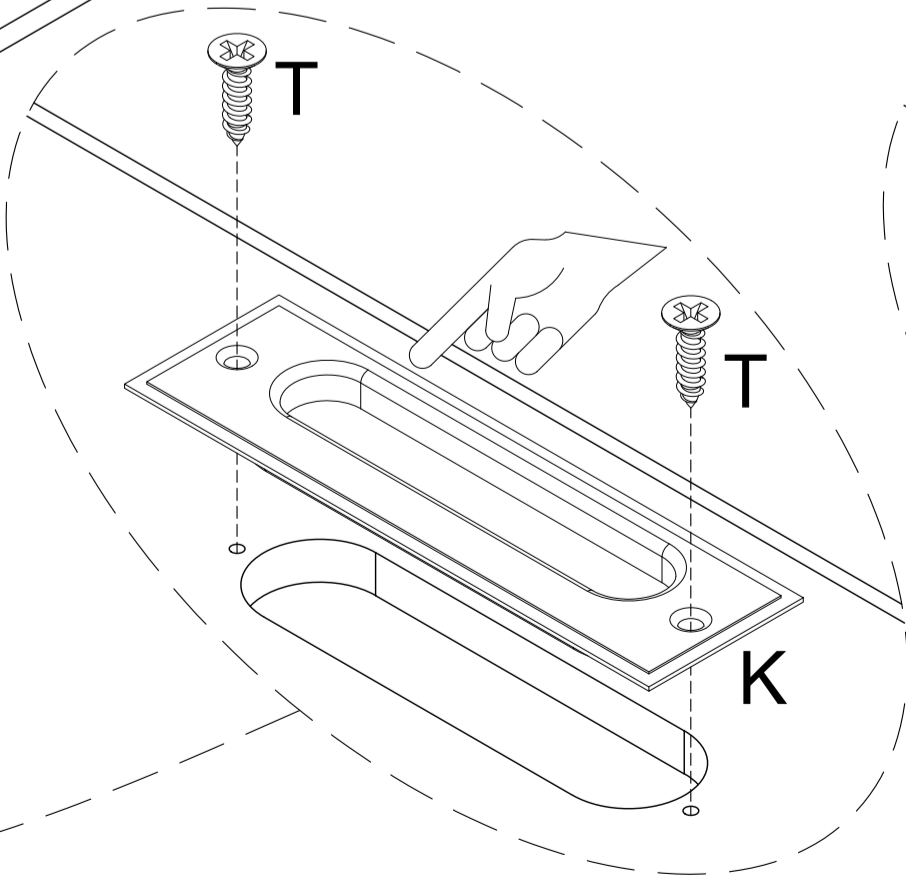
A x16
 Ø6x35mm



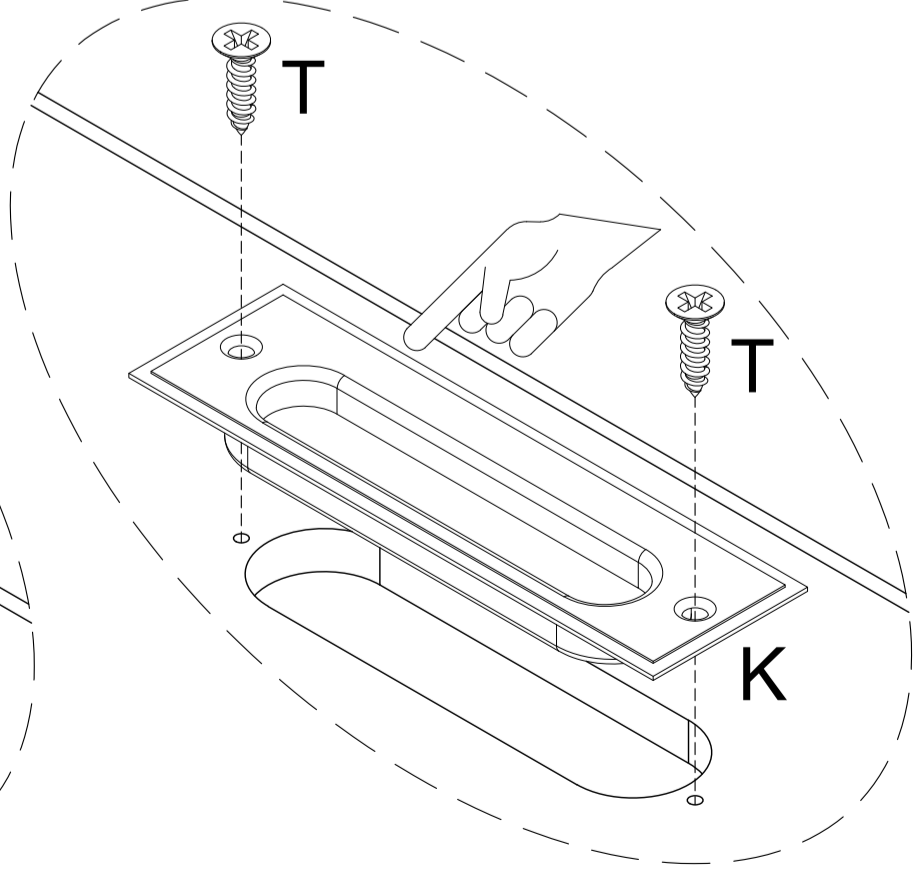
T ✓ 3x12	Q ✗ 3x16	S ✗ 3.5x14
-----------------------	-----------------------	-------------------------

K x1

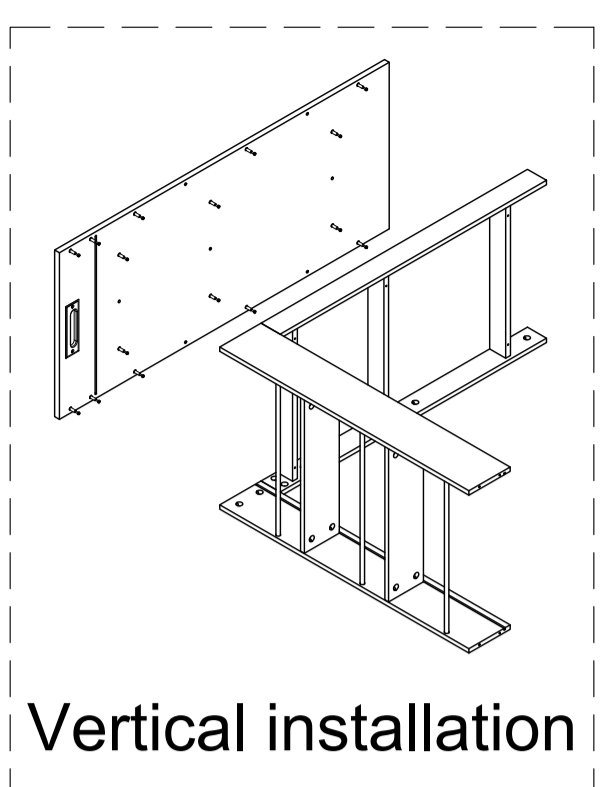
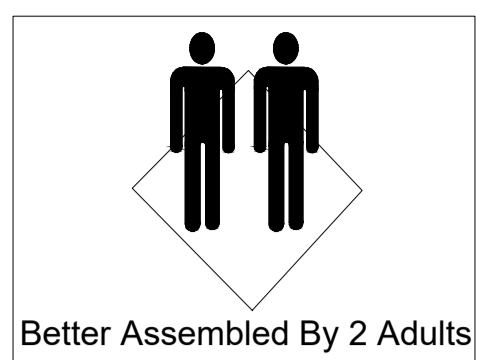
T x2
 3x12mm



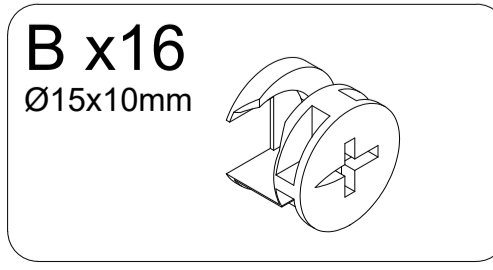
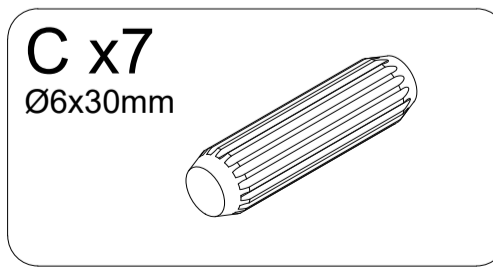
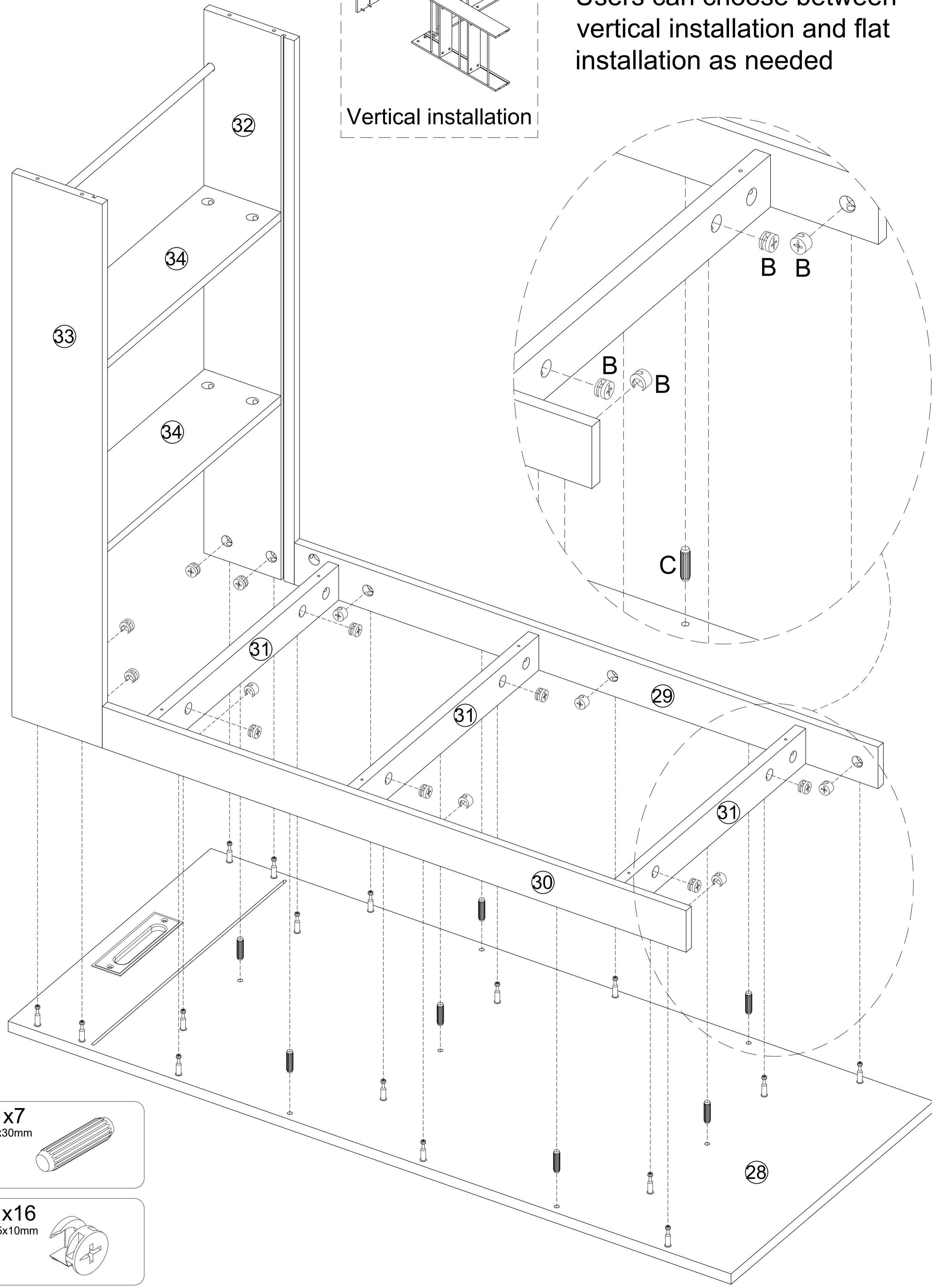
correct



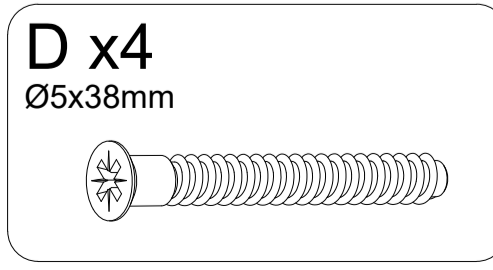
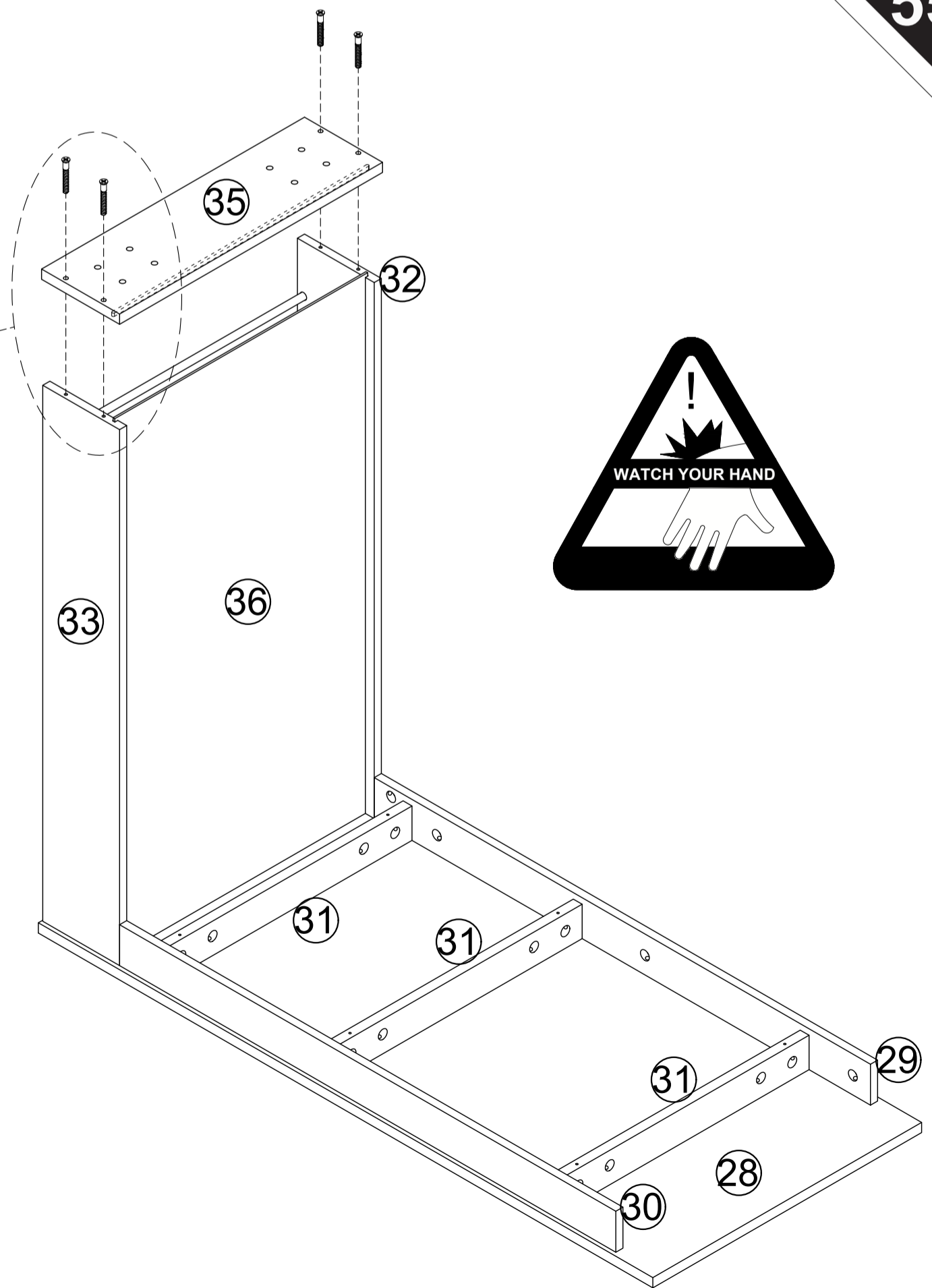
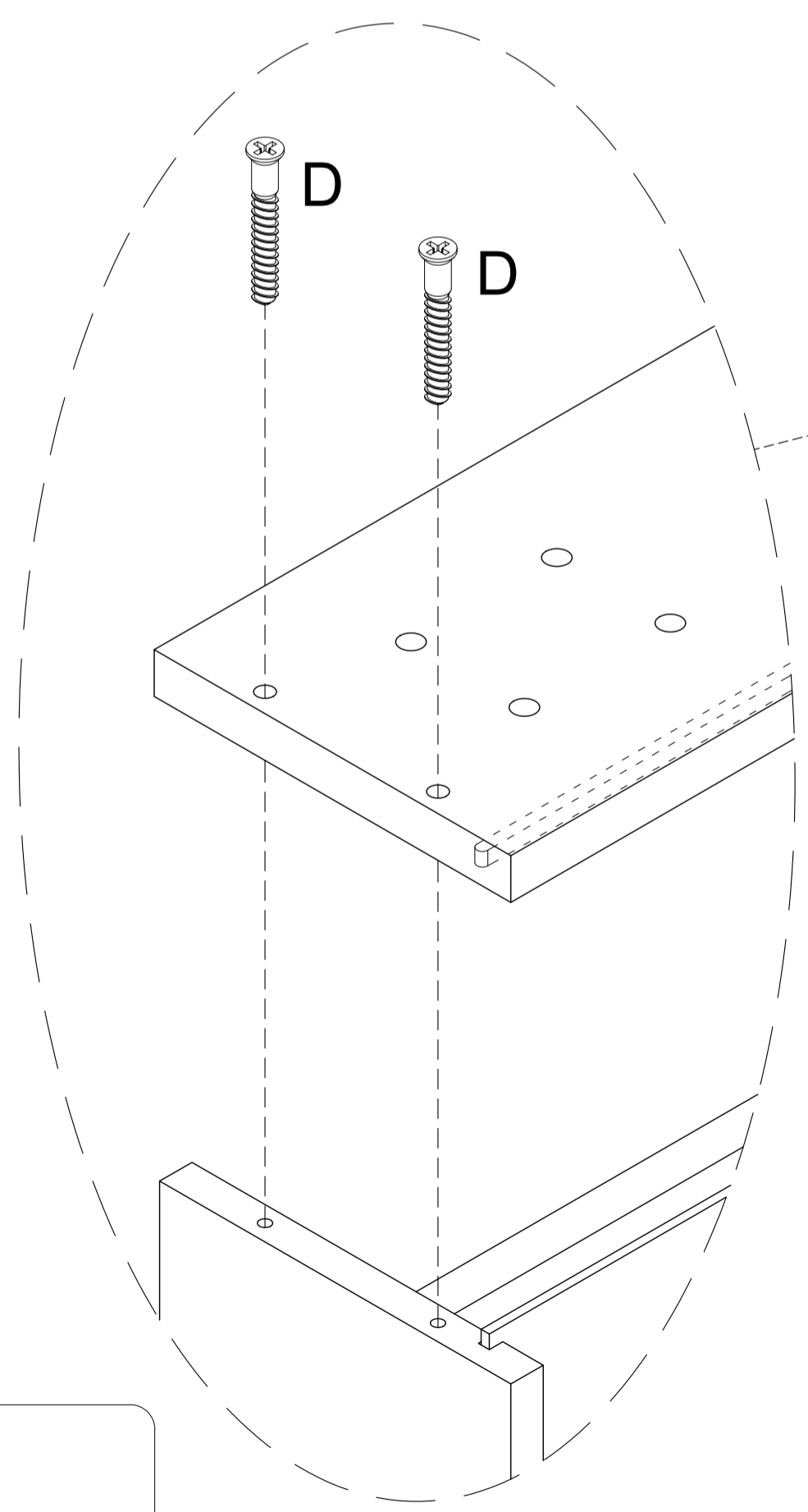
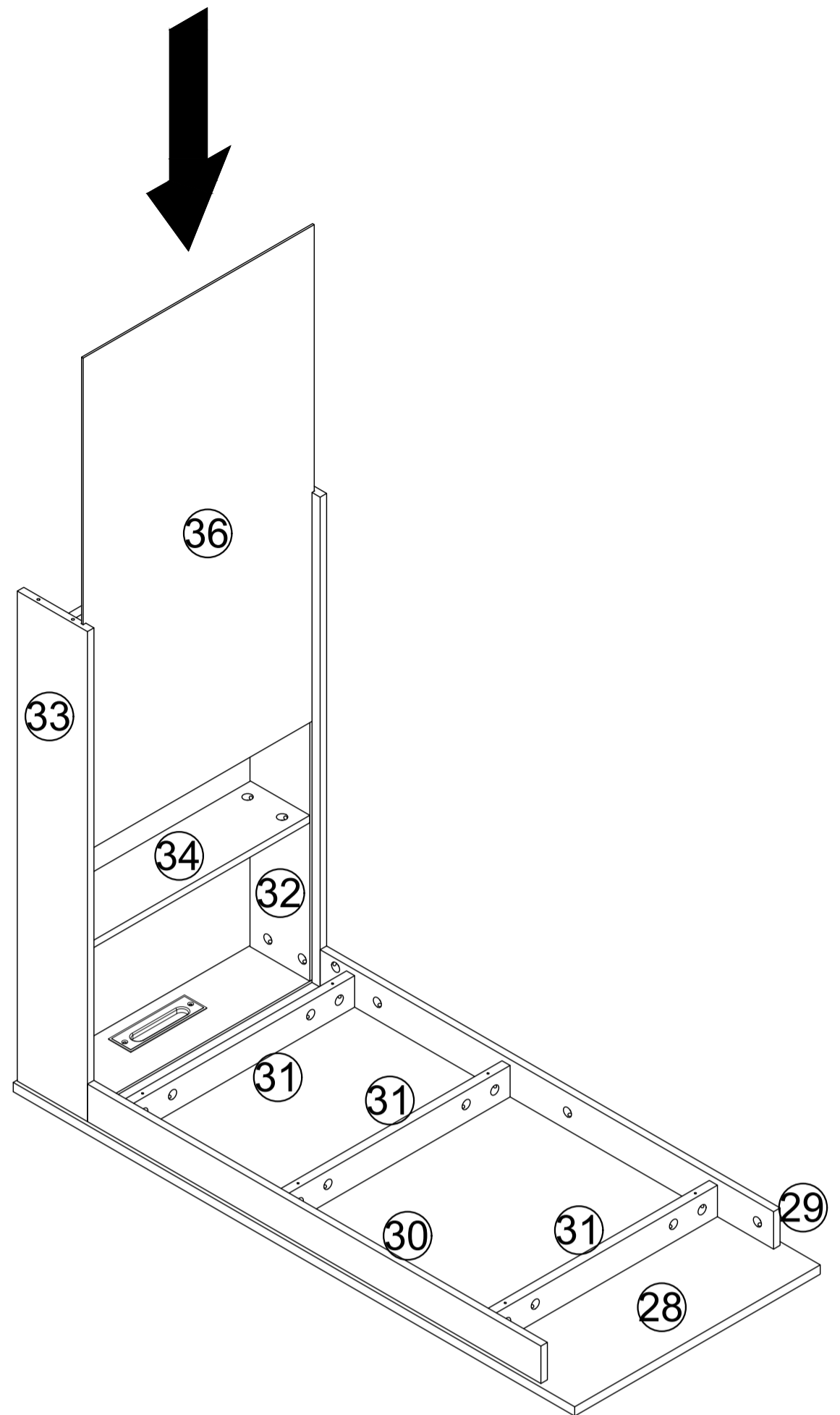
wrong

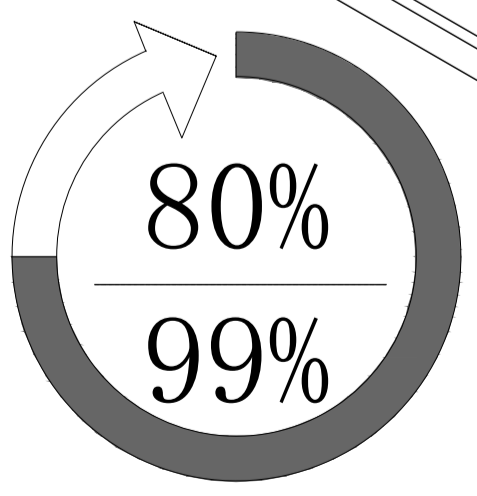
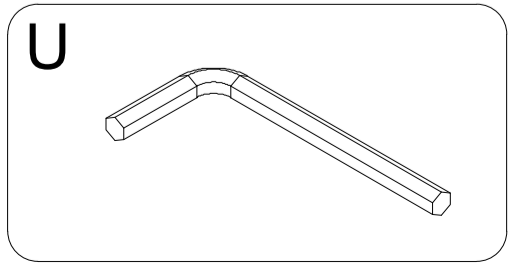
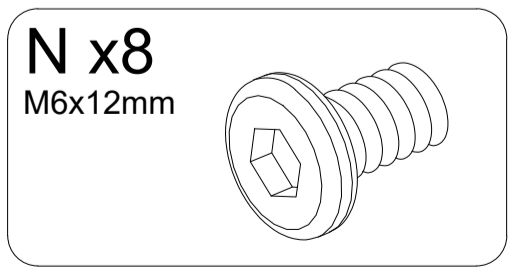
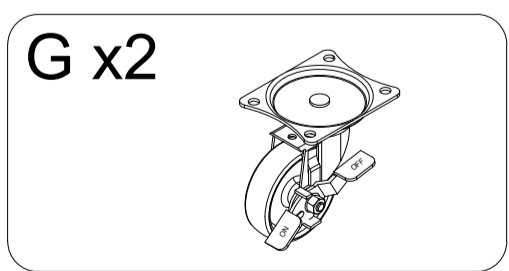
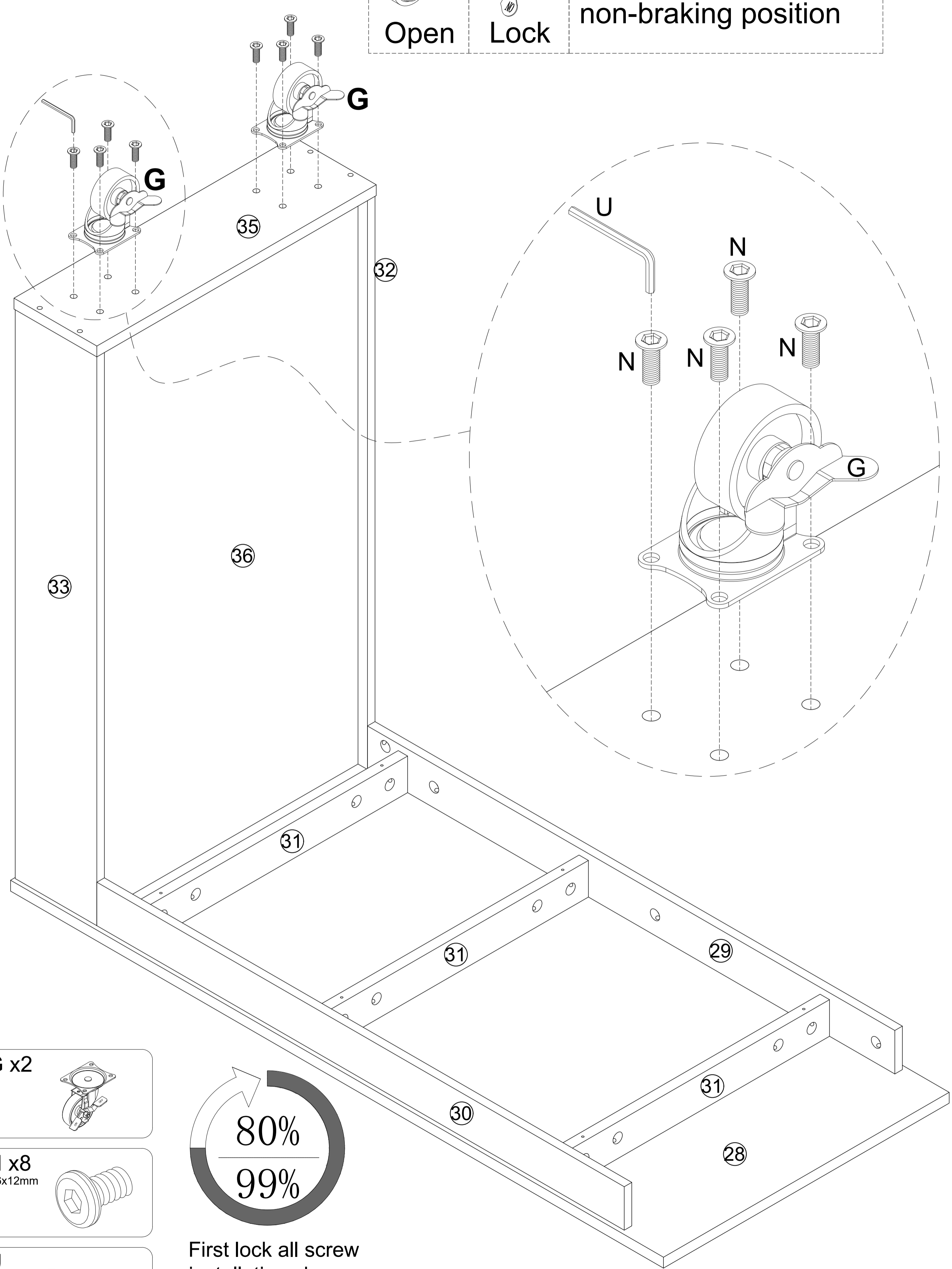
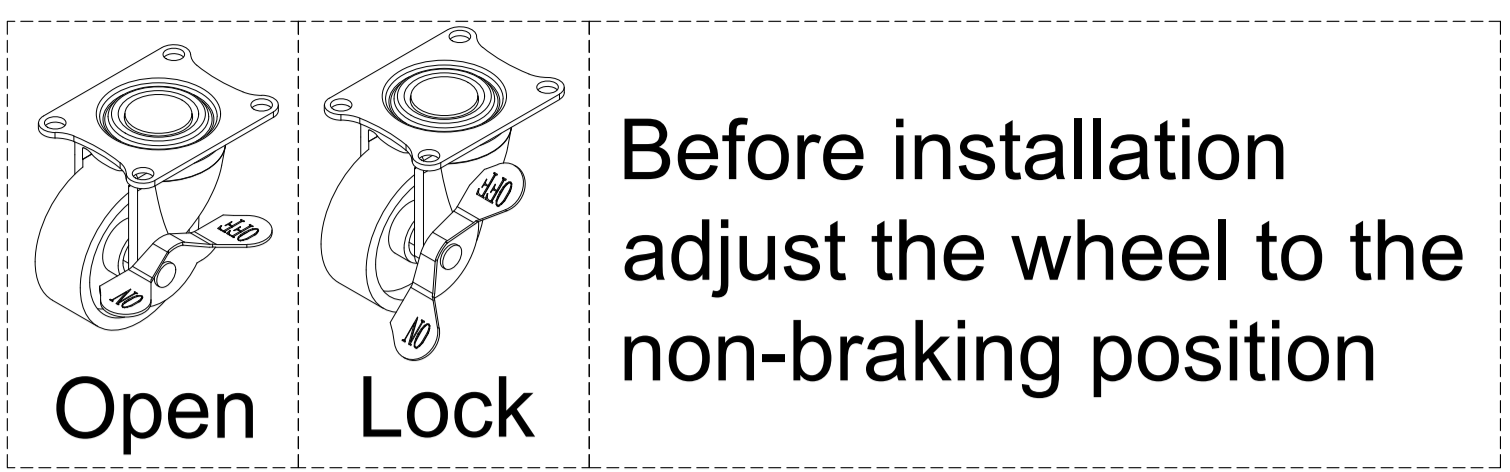


Friendly Reminder
Users can choose between vertical installation and flat installation as needed

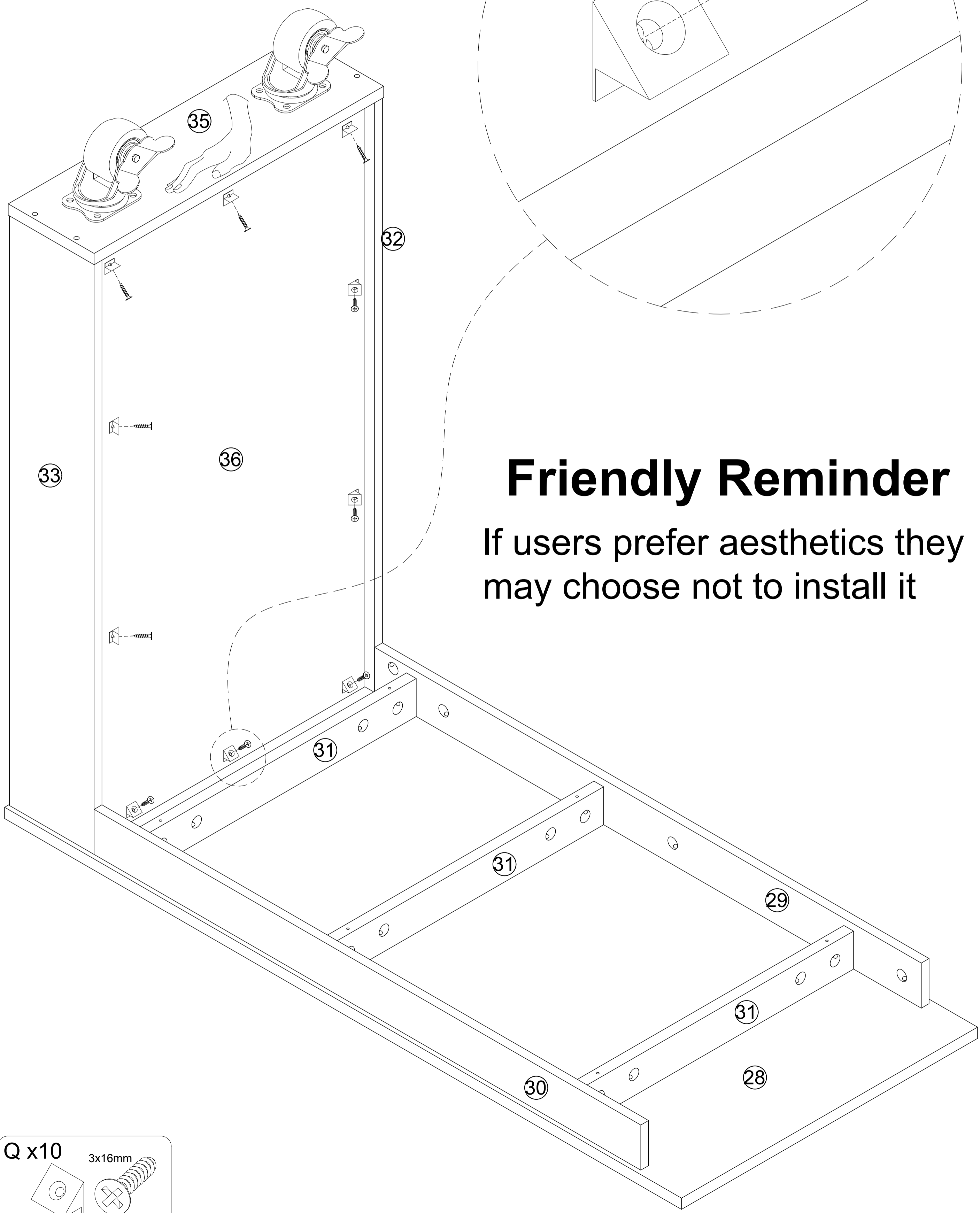
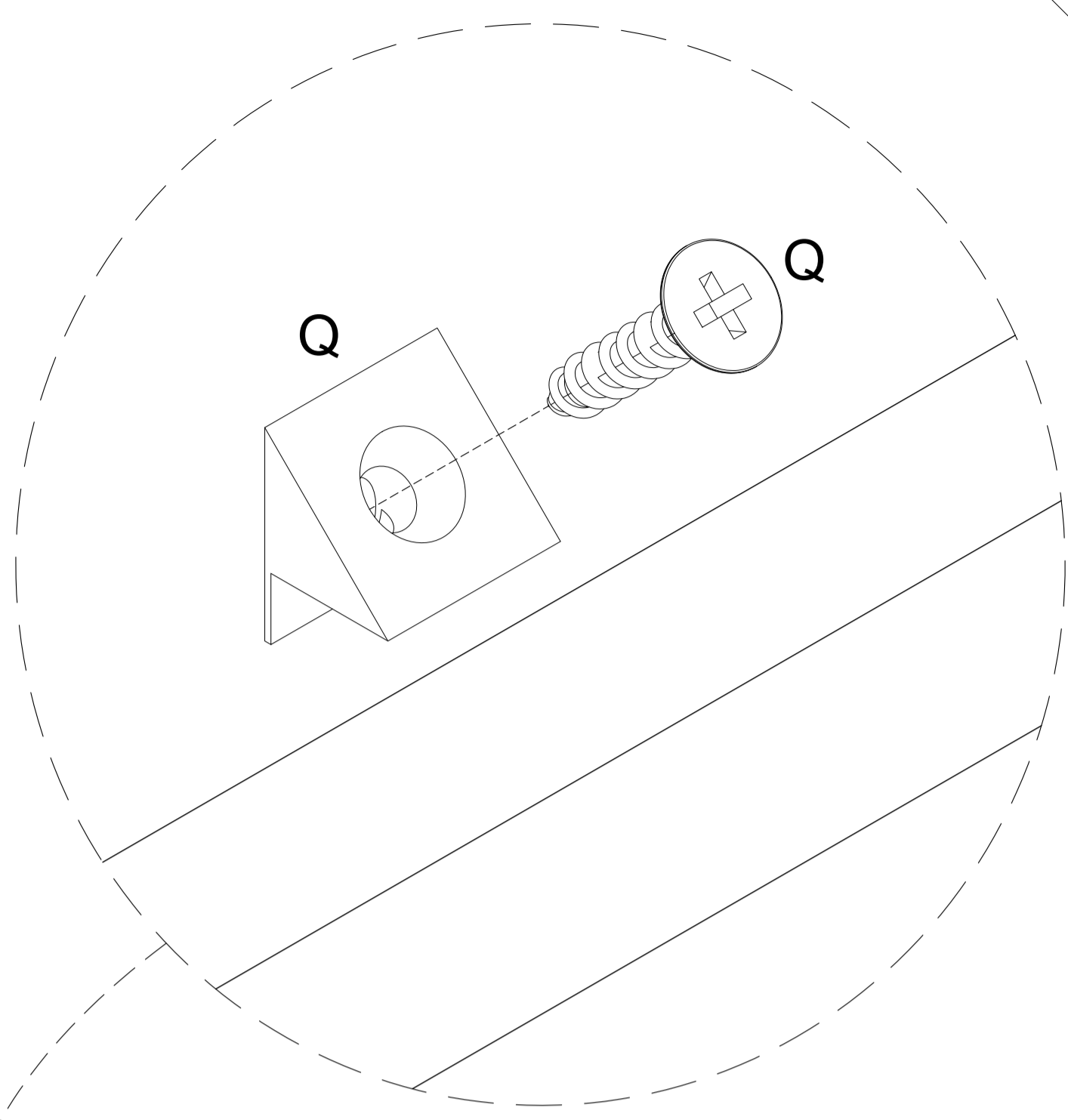
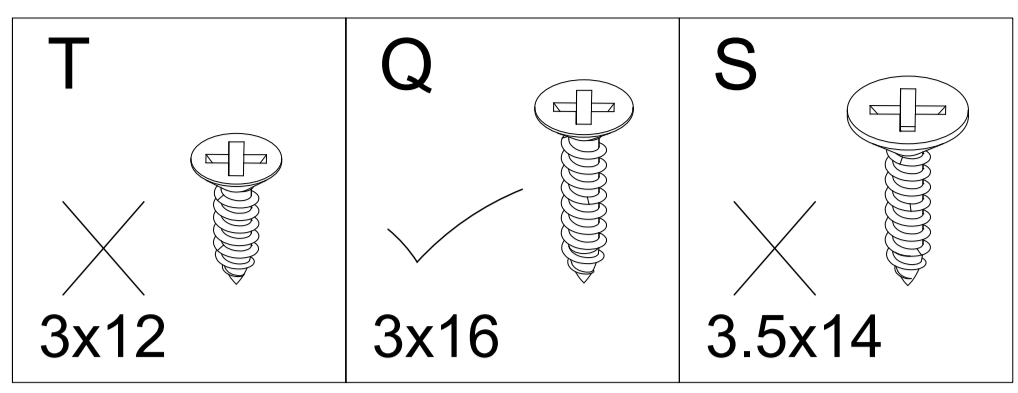


The thin plate needs to be fully inserted into the groove. If the insertion is not smooth, you can try pressing from the front or the back to make adjustments until the thin plate is fully inserted into the groove.

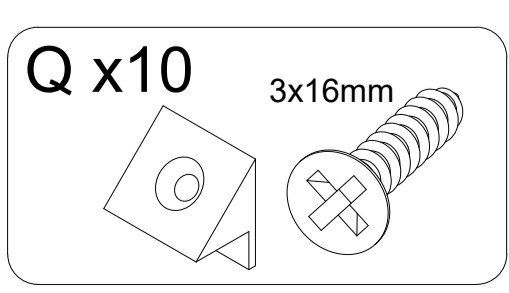


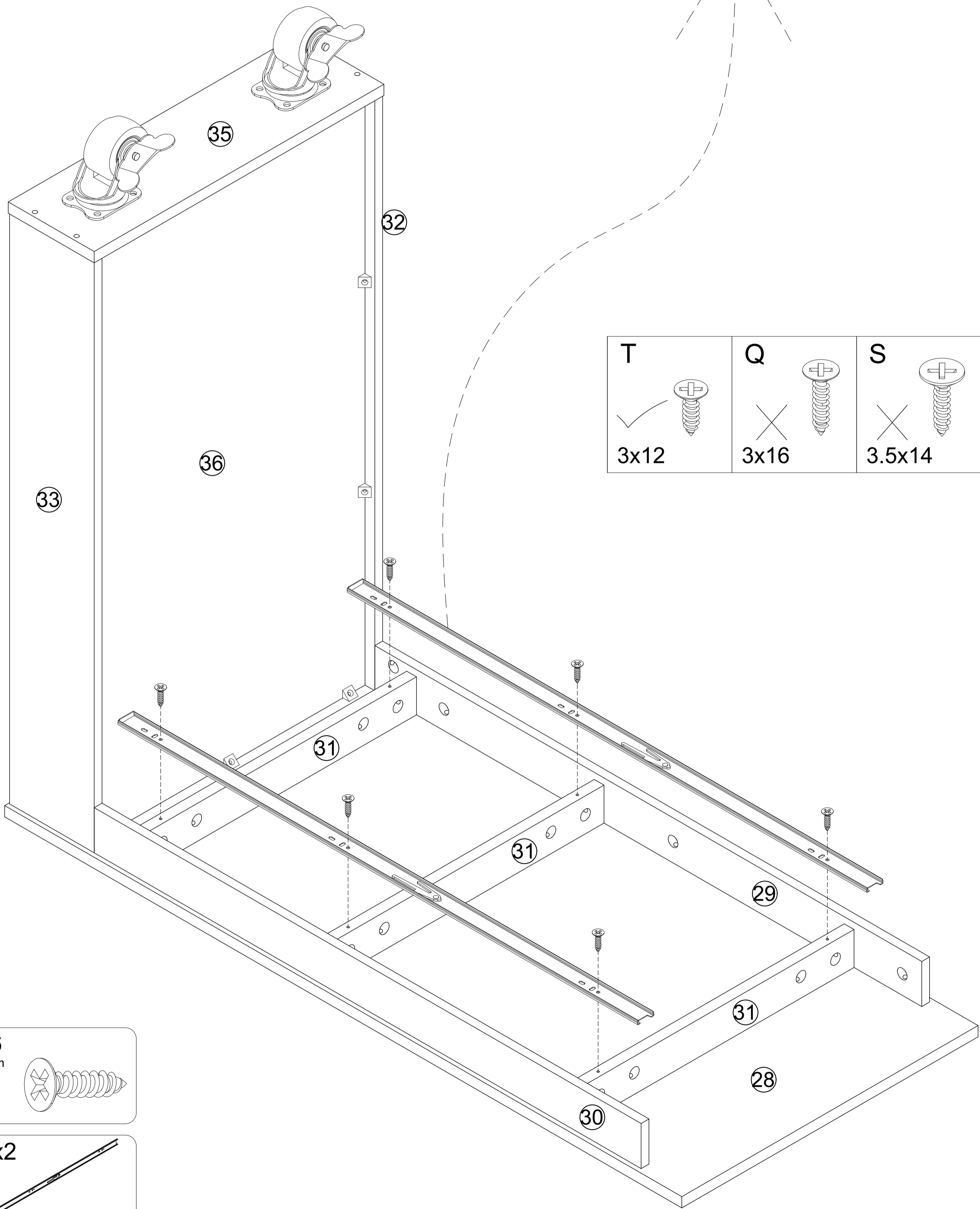
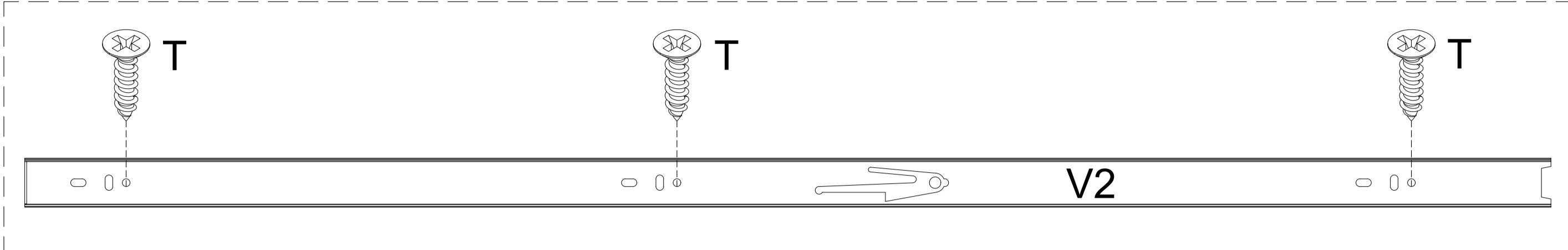


First lock all screw installations by 80%, then lock uniformly by 99%

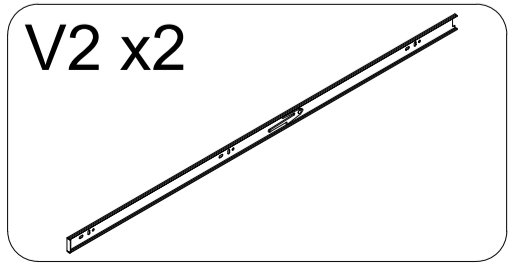
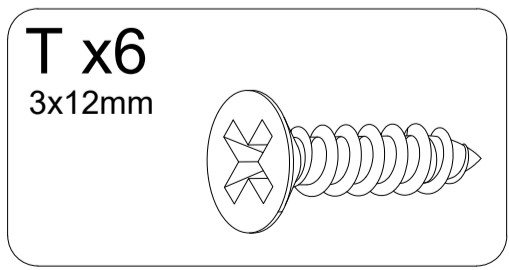


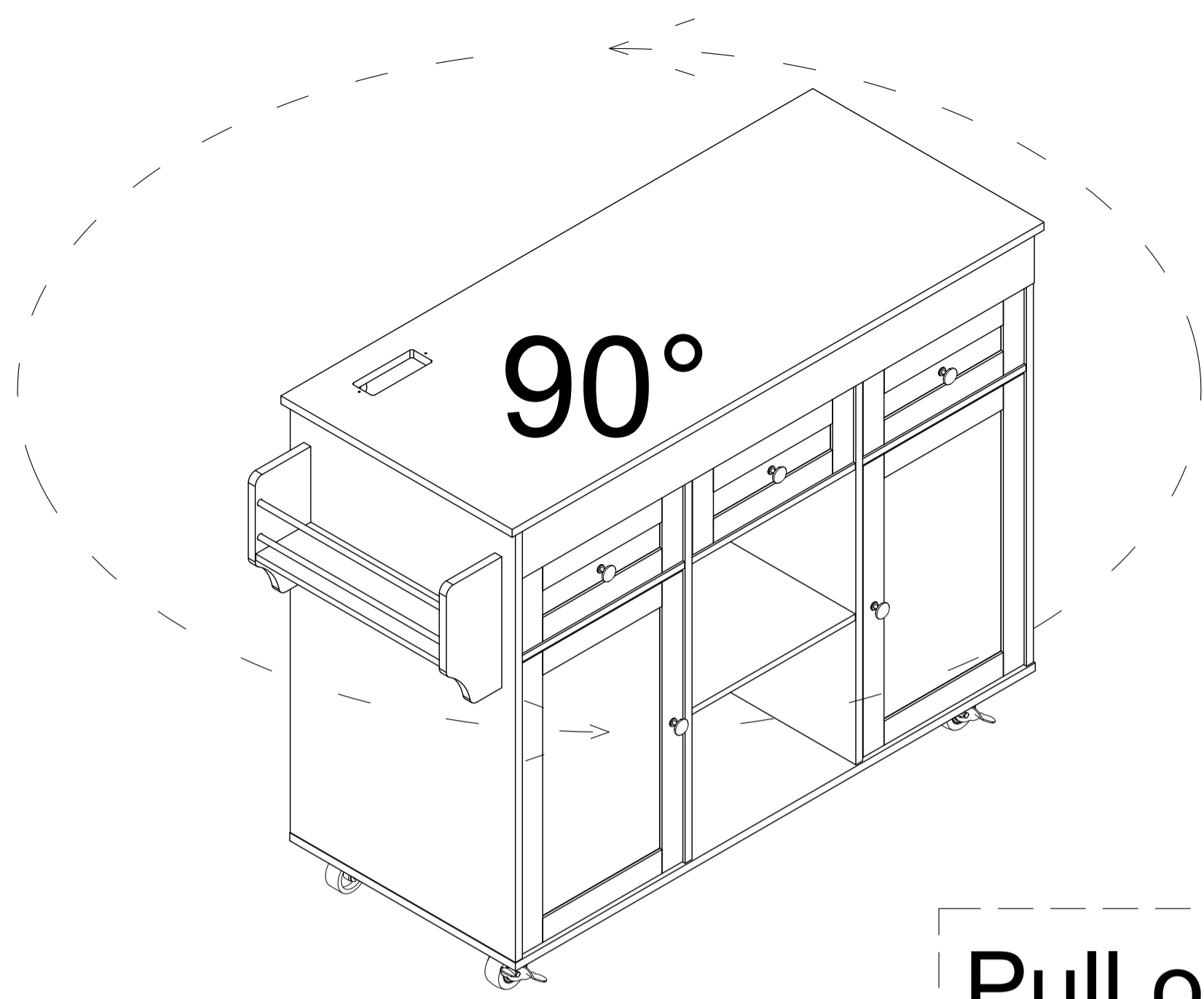
Friendly Reminder
 If users prefer aesthetics they may choose not to install it



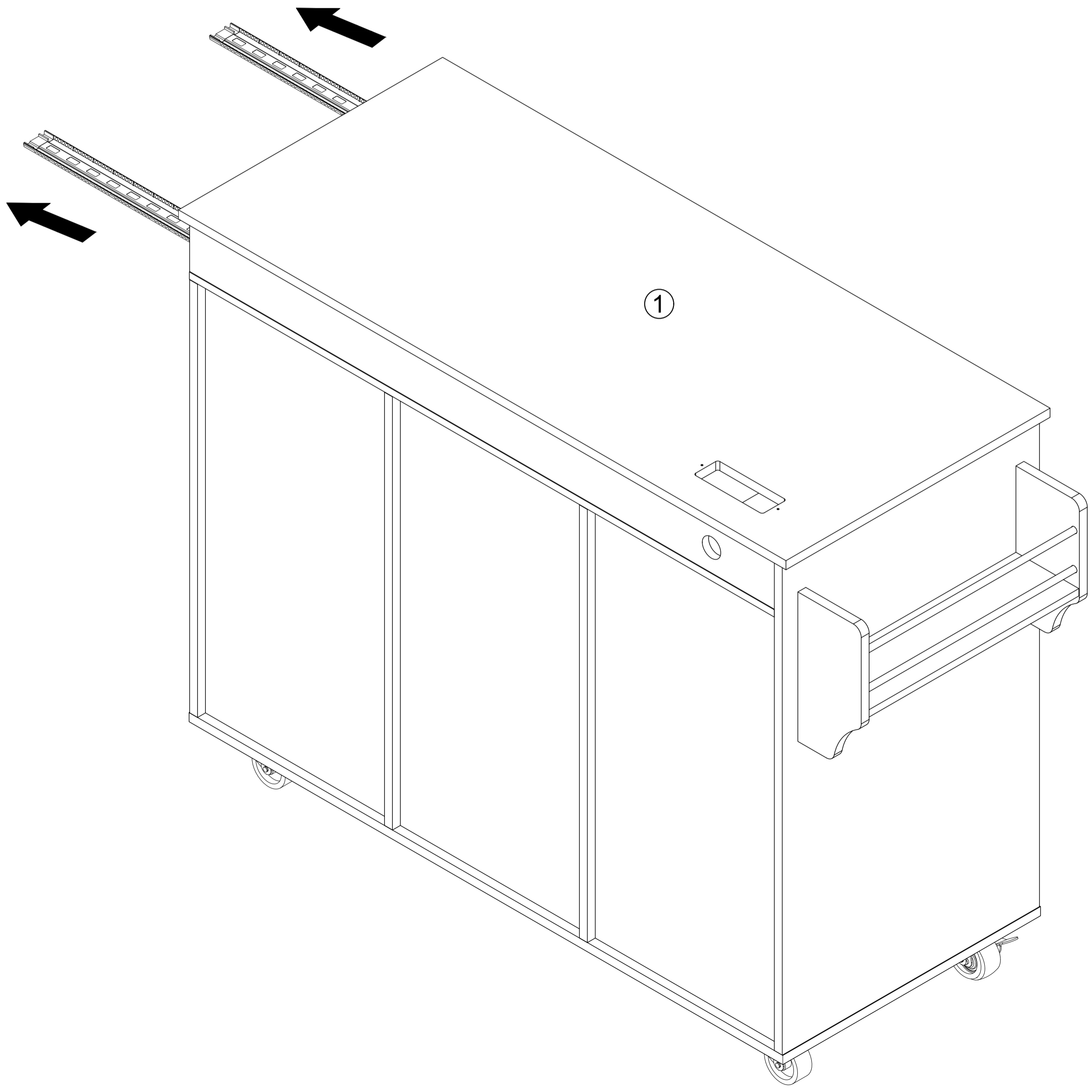


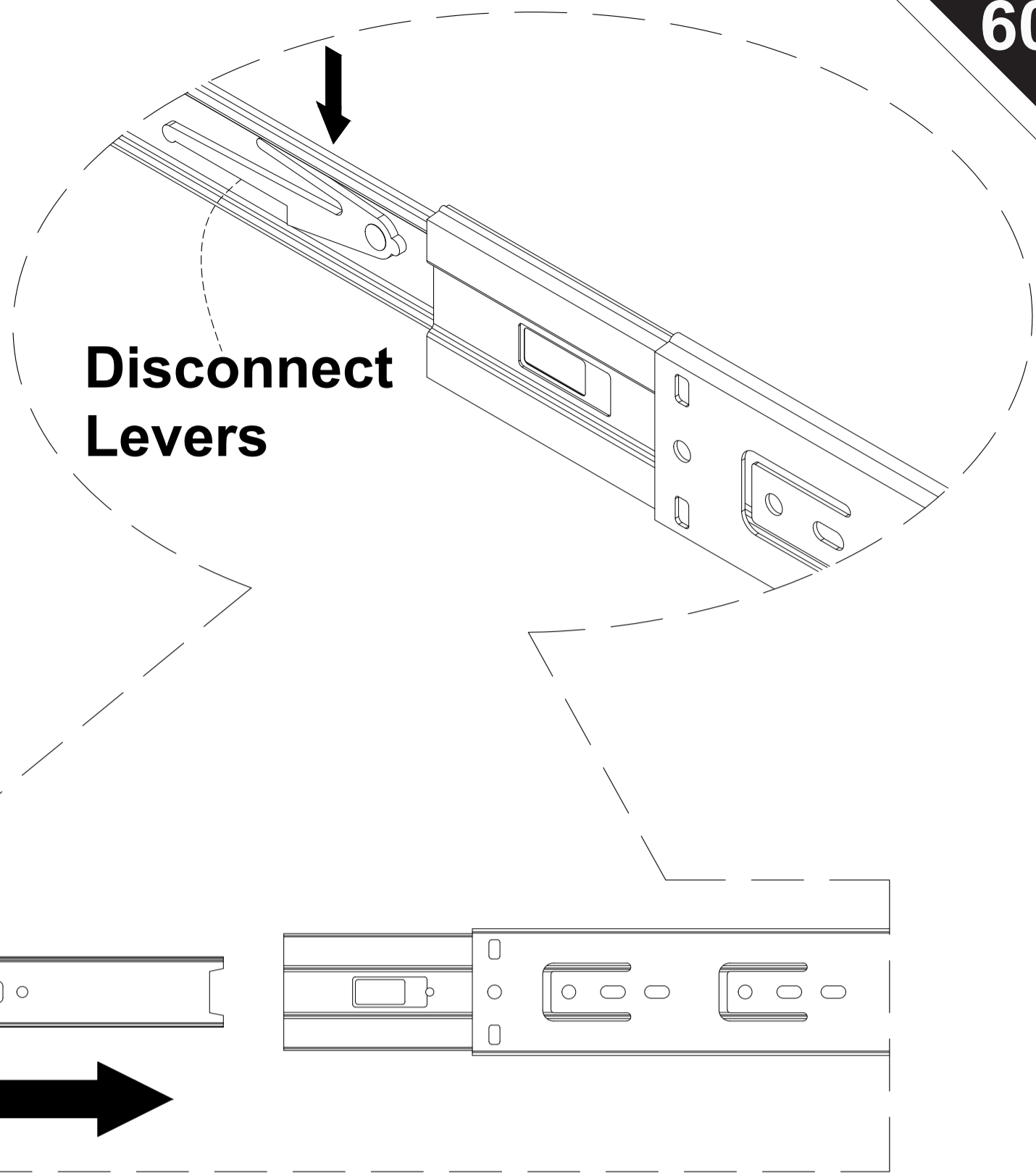
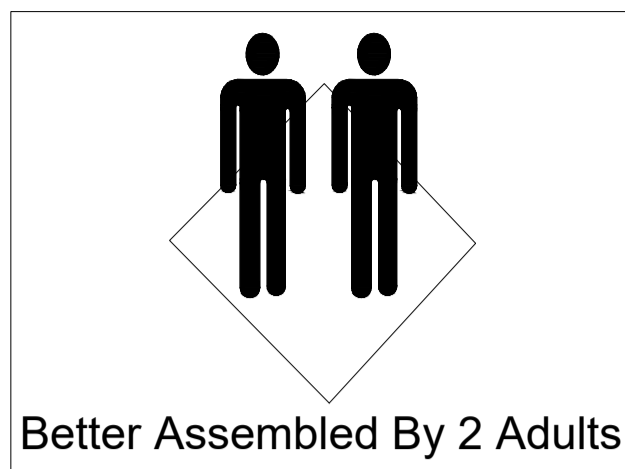
T	Q	S
3x12	3x16	3.5x14



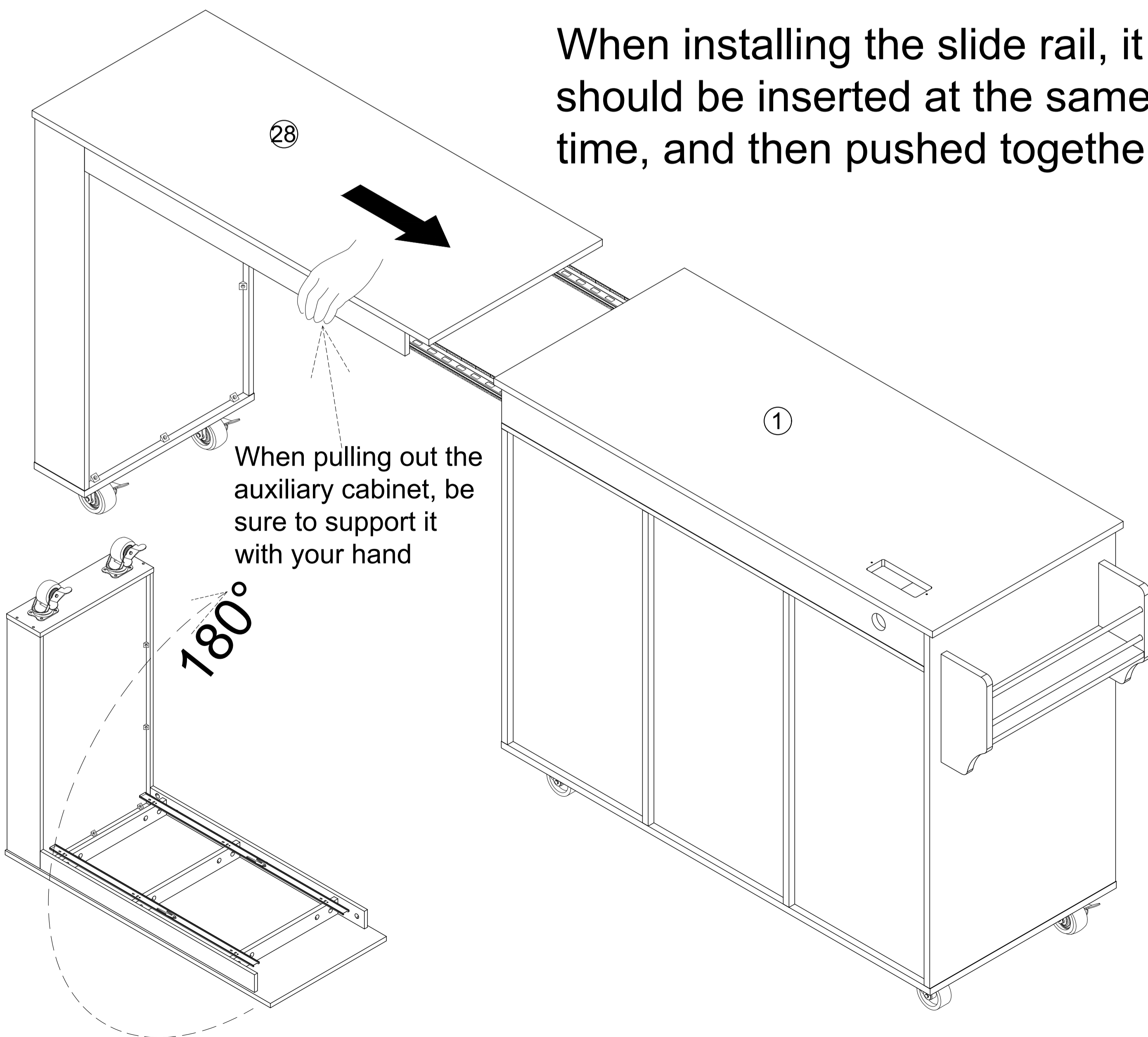


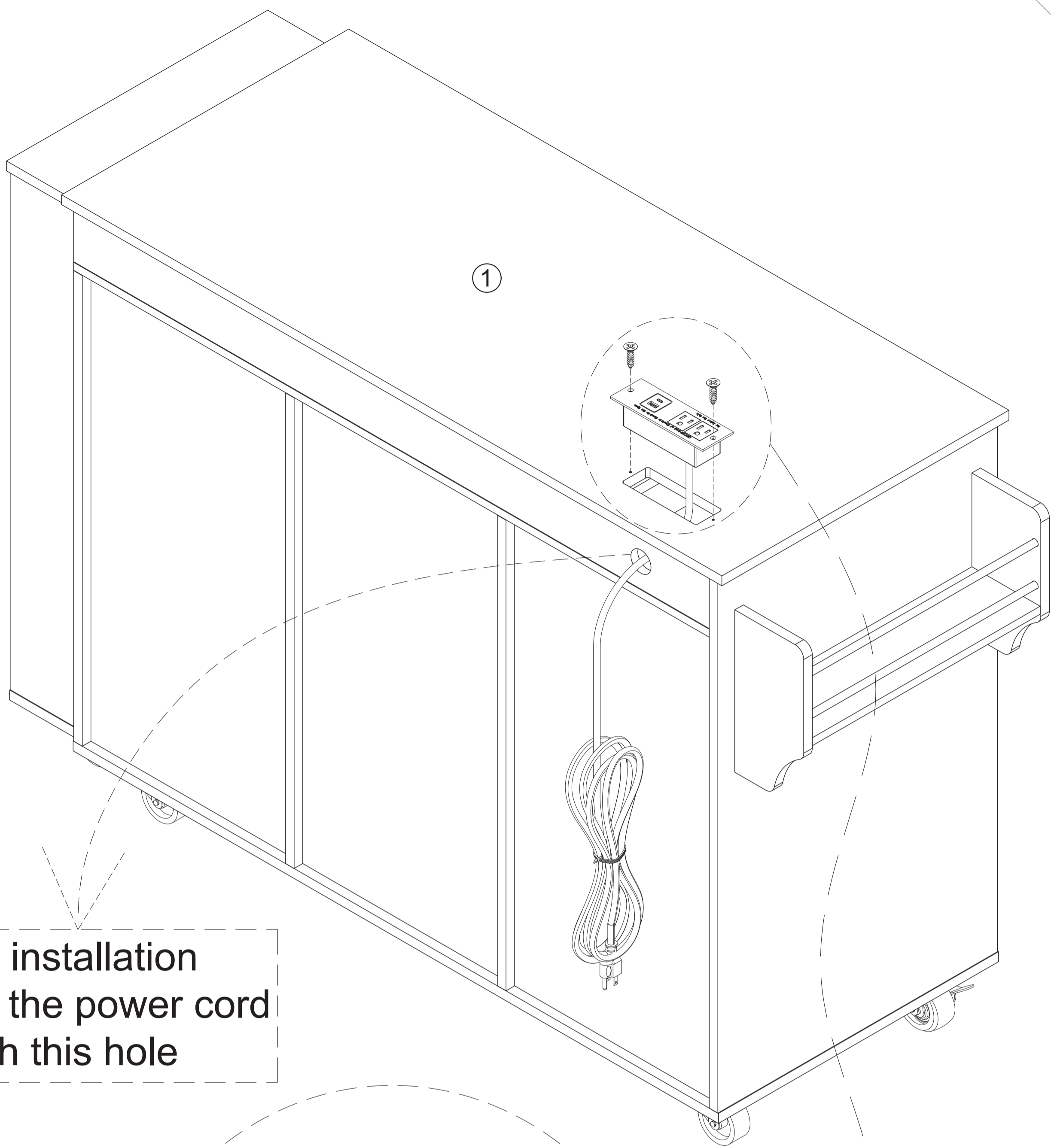
Pull out the slide rail as shown in the diagram



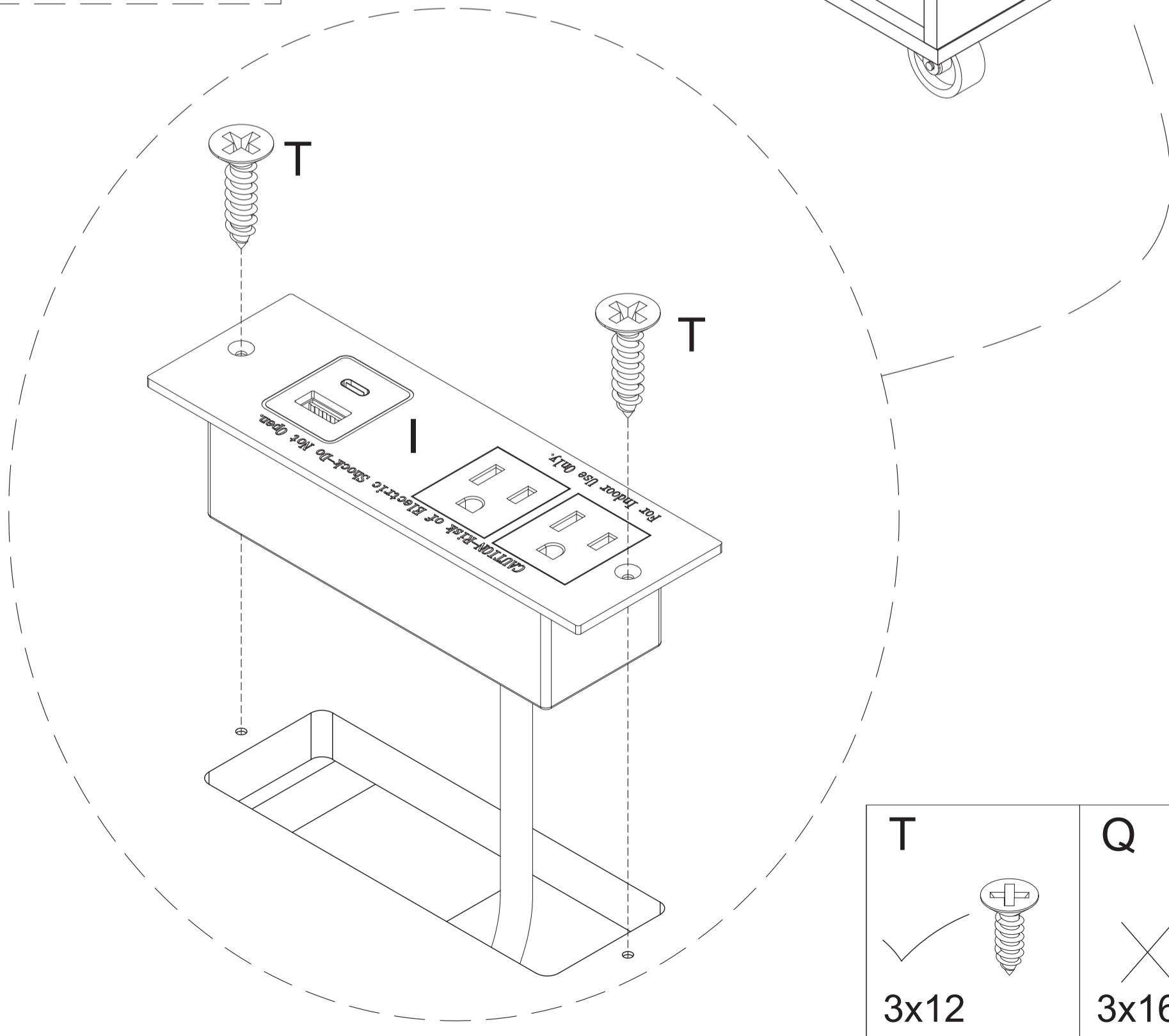


When installing the slide rail, it should be inserted at the same time, and then pushed together





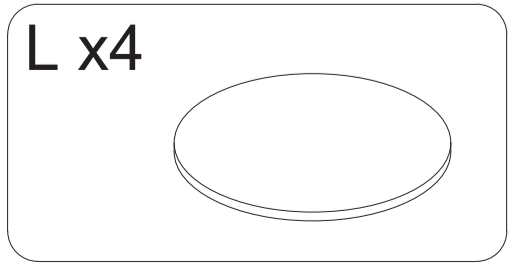
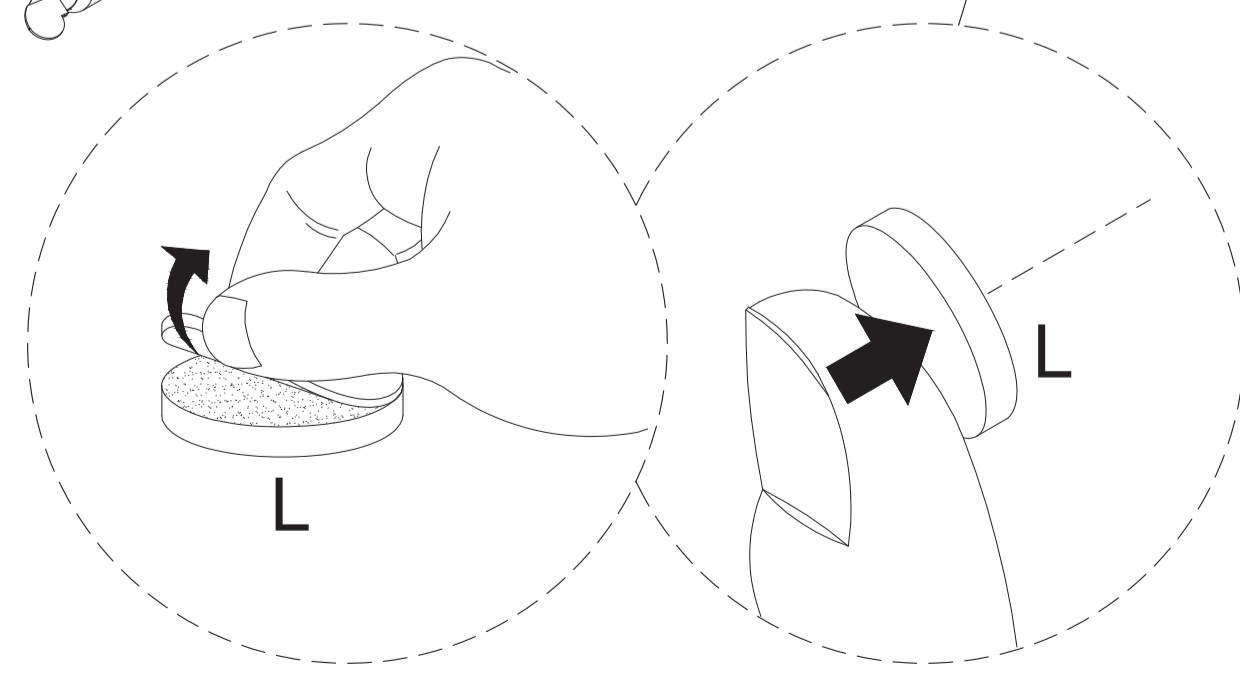
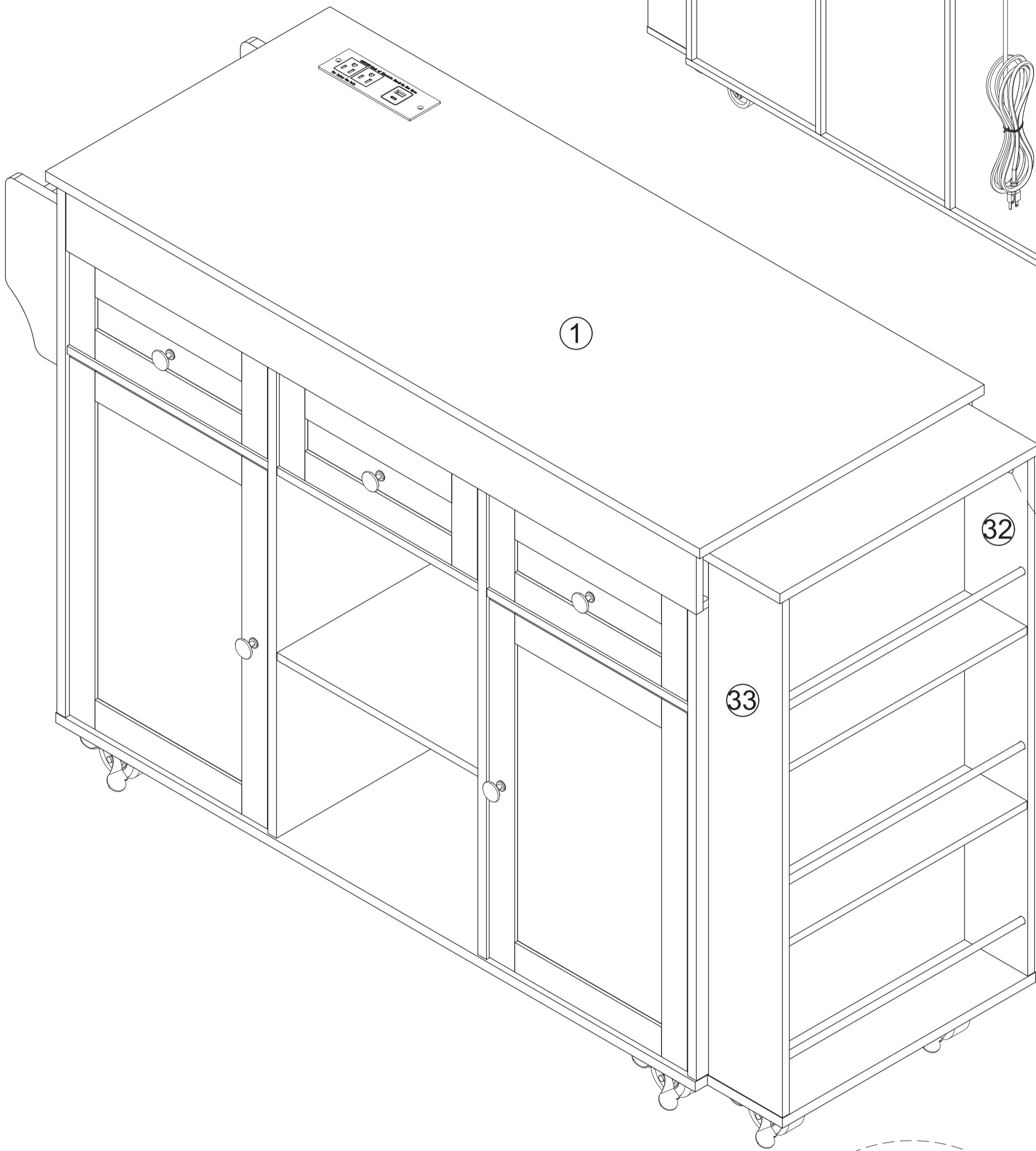
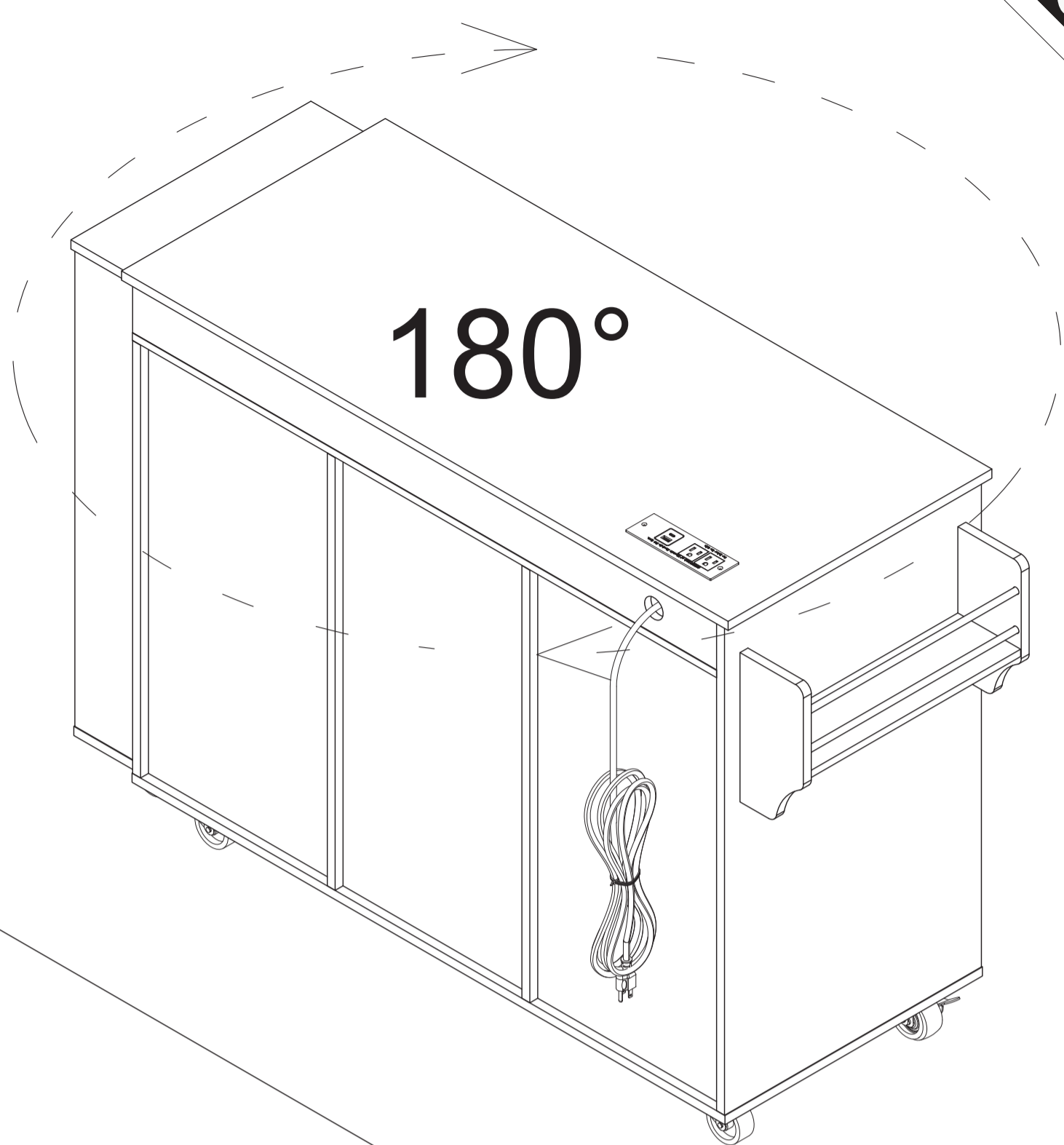
Before installation thread the power cord through this hole



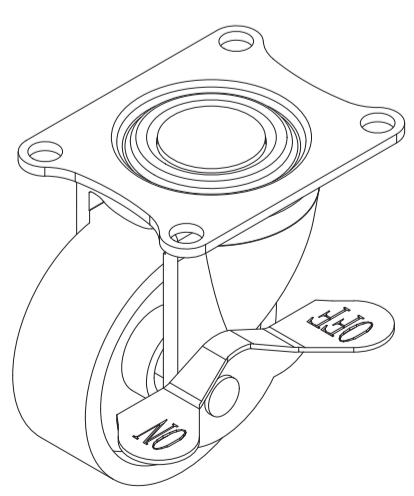
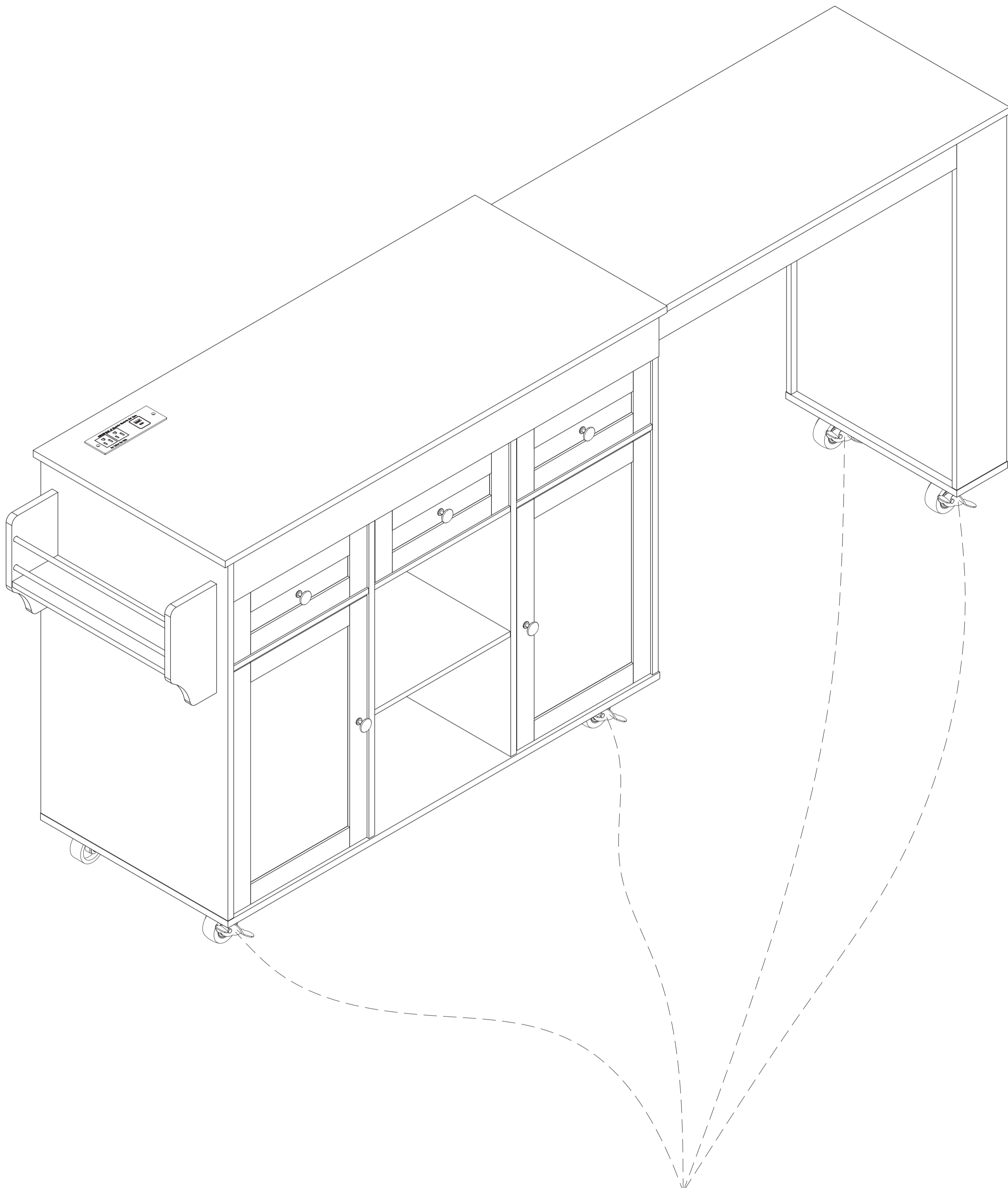
T x2
3x12mm

I x1

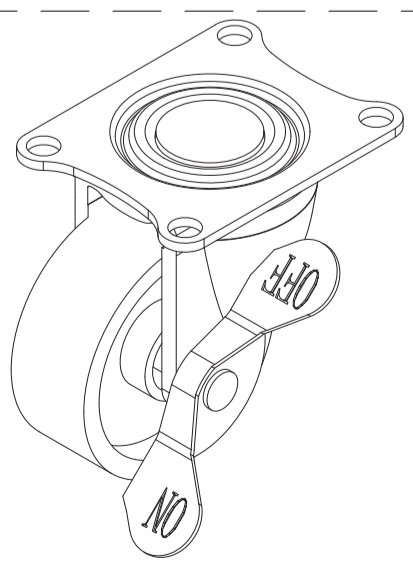
T	Q	S
3x12	3x16	3.5x14



Cover the visible hole with a cap



Open










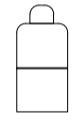

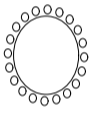







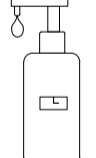



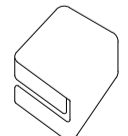
Lock

The table can be moved or secured by adjusting the wheel braking system

Assembly Instructions

Caution : You must read this before you proceed

Care & Maintenance

-   ● Not for commercial use. For residential use only.
-   ● Furniture may scratch floors. We recommend using furniture pads to protect your floors.
-   ● Do not put hot items directly on furniture surface.
-   ● Do not clean furniture with harsh cleansers or polish.
-   ● Do not place furniture under direct sunlight.
-   ● Do not place furniture near heating or cooling vents.
-   ● Do not write on furniture without a padded barrier to protect the surface.
-   ● Do not place furniture outside . For indoor use only.
-   ● Stains may be removed with mild soap solution and damp cloth.
-   ● Children should not climb or jump on the furniture.
-   ● Dust and pick-up spills using a clean, non-colored, lint-free cloth.