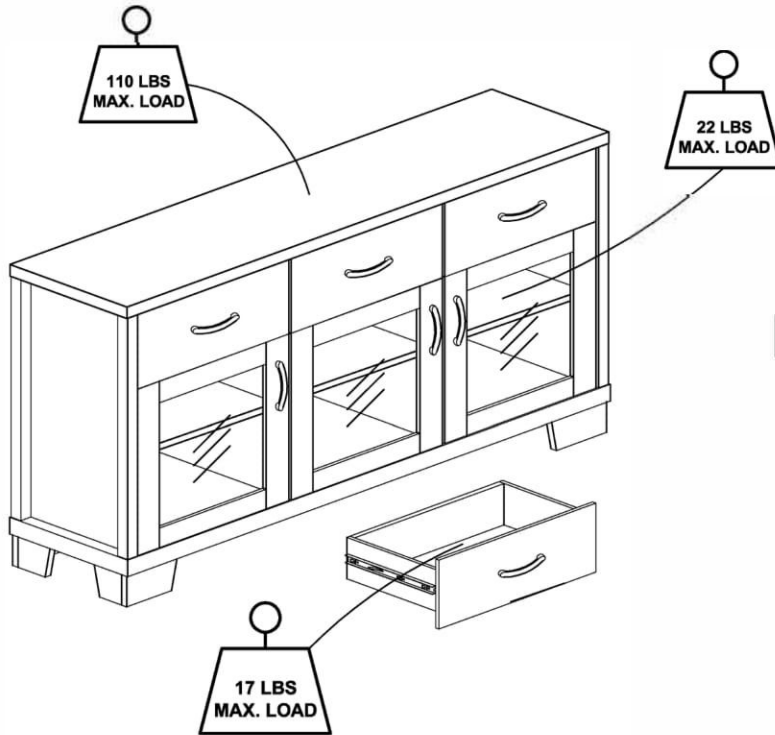
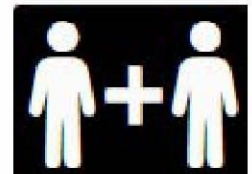


Thank you for your purchase!



BUFFET SIDEBOARD STORAGE CABINET



ASSEMBLY INSTRUCTIONS

Before You Begin: Phillips screwdriver required for assembly (Not Included).

Please identify all component parts and hardware pieces required before you begin. Carefully remove all of the components from the packaging and set aside for assembly. Assemble on a soft surface to prevent scratching during assembly.

Caution:

Tighten all components securely before use. Failure to do so may result in personal injury.

DO NOT use any sharp objects to open plastic wrapped components as damage to product or components may result.

Warning:

CHOKING HAZARD - Small Parts. Adult Assembly Required.

Injuries may result from tipping furniture. You must install Tipping Restraint Hardware with the unit to prevent the unit from tipping and causing any accidental injury, instability, death or damage. The tipping restraint is intended only as a safety measure, it is not a substitute for proper adult supervision.

The tipping restraint is not an earthquake restraint. If you wish to add the extra security of earthquake restraints, they must be purchased and installed separately.

Serious or fatal crushing injuries can occur from furniture tipping over. To prevent furniture from tipping over it must be permanently fixed to the wall. Fixing devices for the wall are not included since different wall materials require different types of fixing devices. Use fixing devices suitable for the walls in your home.

Note: Manufacturer assumes no liability for improper installation or excessive loads placed on screws or brackets.

Failure to detach this restraint before moving furniture may result in injury or damage. **DO NOT ALLOW CHILDREN TO CLIMB ON FURNITURE**



We pride ourselves on providing an excellent customer experience starting right here with your package and instructions. Everything you need should be right where you need it, so you can get to enjoying your new item ASAP. But despite our best efforts, sometimes "slips happen." If you need any support, from replacement parts to recommendations, please reach out to our wonderful customer support team



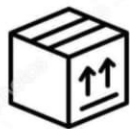
Quality &
Durability Tested



Packaged
with Care



Shipped from
our U.S. Facility



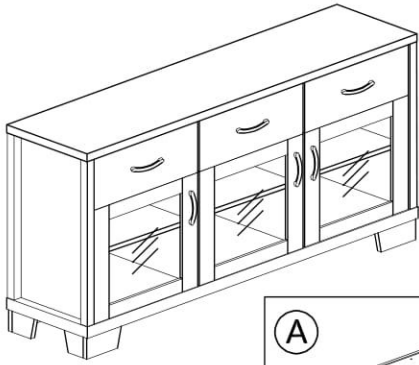
Designed
for Easy
Assembly


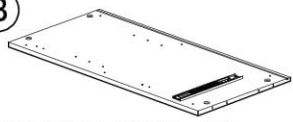
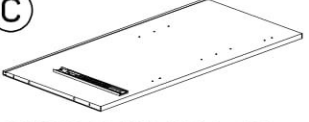
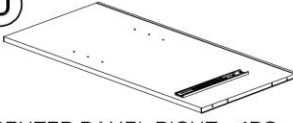
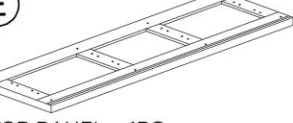



















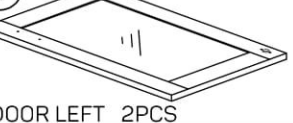
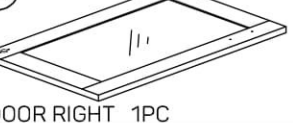



Ethically
Sourced




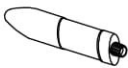






Read this manual before using this product. Failure to follow the instructions and safety precautions in this manual can result in serious injury or death. Keep this manual in a safe location for future reference.











PARTS LIST



 <p>A SIDE PANEL LEFT 1PC</p>	 <p>B SIDE PANEL RIGHT 1PC</p>	 <p>C CENTER PANEL LEFT 1PC</p>
 <p>D CENTER PANEL RIGHT 1PC</p>	 <p>E TOP PANEL 1PC</p>	 <p>F BOTTOM PANEL 1PC</p>
 <p>G ADJUSTABLE CENTER 1PC</p>	 <p>H ADJUSTABLE LEFT & RIGHT 2PCS</p>	 <p>I BACK PANEL LEFT & RIGHT 4PCS</p>
 <p>J BACK PANEL CENTER 2PCS</p>	 <p>K BOTTOM SUPPORT 2PCS</p>	 <p>L LEG FRONT A 2PCS</p>
 <p>M LEG FRONT B 2PCS</p>	 <p>N LEG SIDE A 2PCS</p>	 <p>O LEG SIDE B 2PCS</p>
 <p>P DRAWER FRONT LEFT 1PC</p>	 <p>Q DRAWER FRONT RIGHT 1PC</p>	 <p>R DRAWER FRONT CENTER 1PC</p>
 <p>S DRAWER SIDE PANEL LEFT 3PCS</p>	 <p>T DRAWER SIDE PANEL RIGHT 3PCS</p>	 <p>U DRAWER BACK PANEL LEFT & RIGHT 2PCS</p>
 <p>V DRAWER BACK PANEL CENTER 1PC</p>	 <p>W DRAWER BOTTOM LEFT & RIGHT 2PCS</p>	 <p>X DRAWER BOTTOM CENTER 1PC</p>
 <p>Y DOOR LEFT 2PCS</p>	 <p>Z DOOR RIGHT 1PC</p>	 <p>AA SIDE SUPPORT 4PCS</p>

HARDWARE LIST

ITEM	DESCRIPTION	QTY
①	0.59" FEMALE CAMLOCK 	28 pcs
②	MALE CAMLOCK 	28 pcs
③	0.24" x 1.18" WOOD DOWEL 	40 pcs
④	GLUE 	2 pcs
⑤	FLOOR GLIDE 	8 pcs
⑥	HANDLE 	6 pcs
⑦	0.16" x 0.79" MACHINE SCREW 	12 pcs
⑧	PLASTIC WEDGE 	24 pcs
⑨	REAR CONNECTOR 	12 pcs
⑩	SHELF PIN 	12 pcs

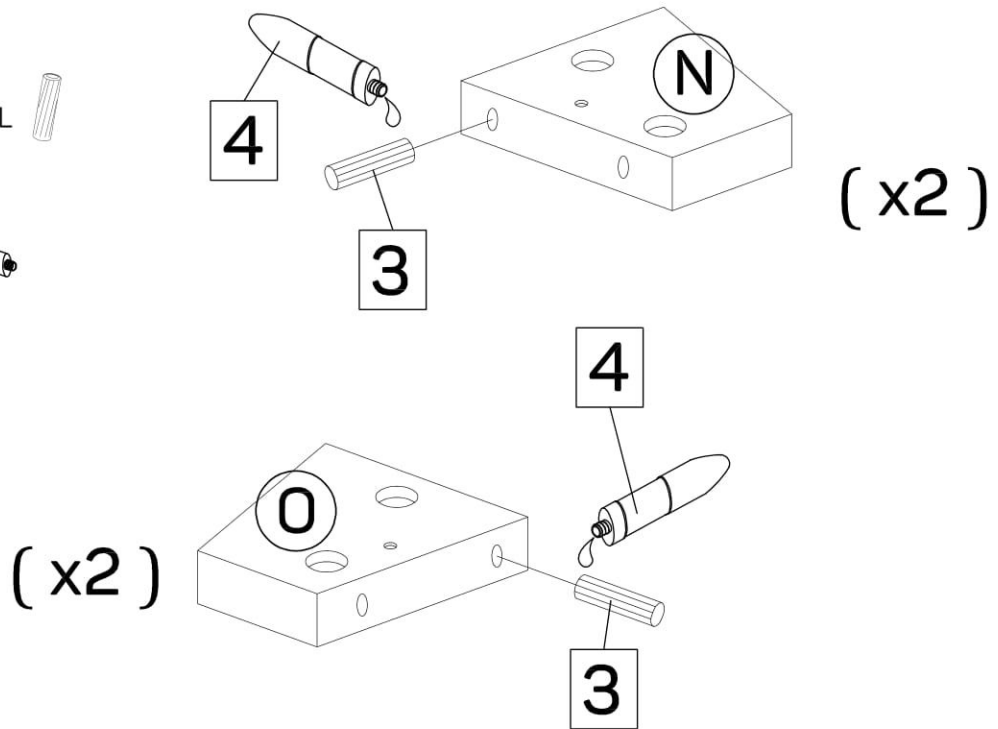
ITEM	DESCRIPTION	QTY
⑪	5/8 HINGES 	6 pcs
⑫	0.16" x 0.63" FLAT HEAD SCREW 	24 pcs
⑬	0.12" x 0.79" FLAT HEAD SCREW 	24 pcs
⑭	23.5" PVC H 	3 pcs
⑮	0.24" x 0.91" ADJUSTABLE FOOT 	4 pcs
⑯	0.19" x 1.96" CONFIRMAT SCREW 	4 pcs
⑰	0.14" x 0.98" FLAT HEAD SCREW 	12 pcs
⑱	0.67" STICKER COVER 	16 pcs
⑲	0.39" x 1.18" METAL L BRACKET 	8 pcs
⑳	0.14" x 0.47" FLAT HEAD SCREW 	16 pcs

INSTALLATION

STEP 1

③ 0.24" x 1.18"
WOOD DOWEL
4pcs

④ GLUE
1pc

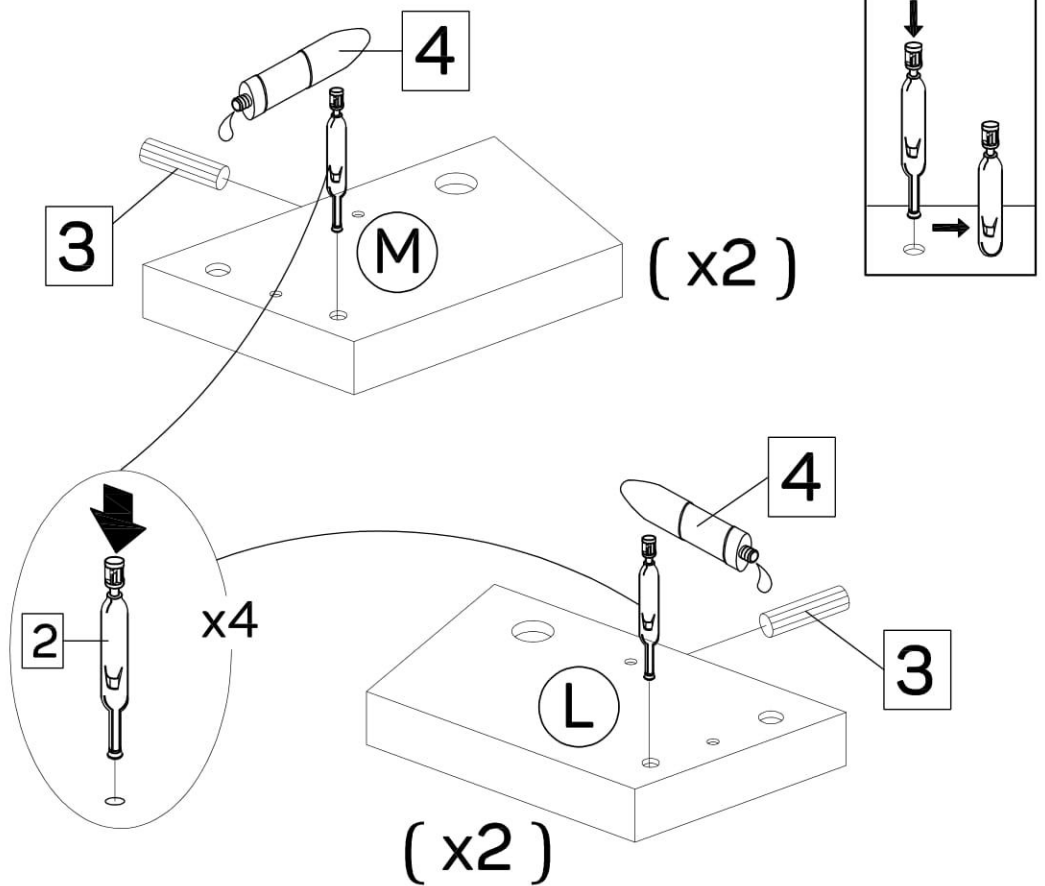


STEP 2

② MALE CAMLOCK
4pcs

③ 0.24" x 1.18"
WOOD DOWEL
4pcs

④ GLUE
1pc

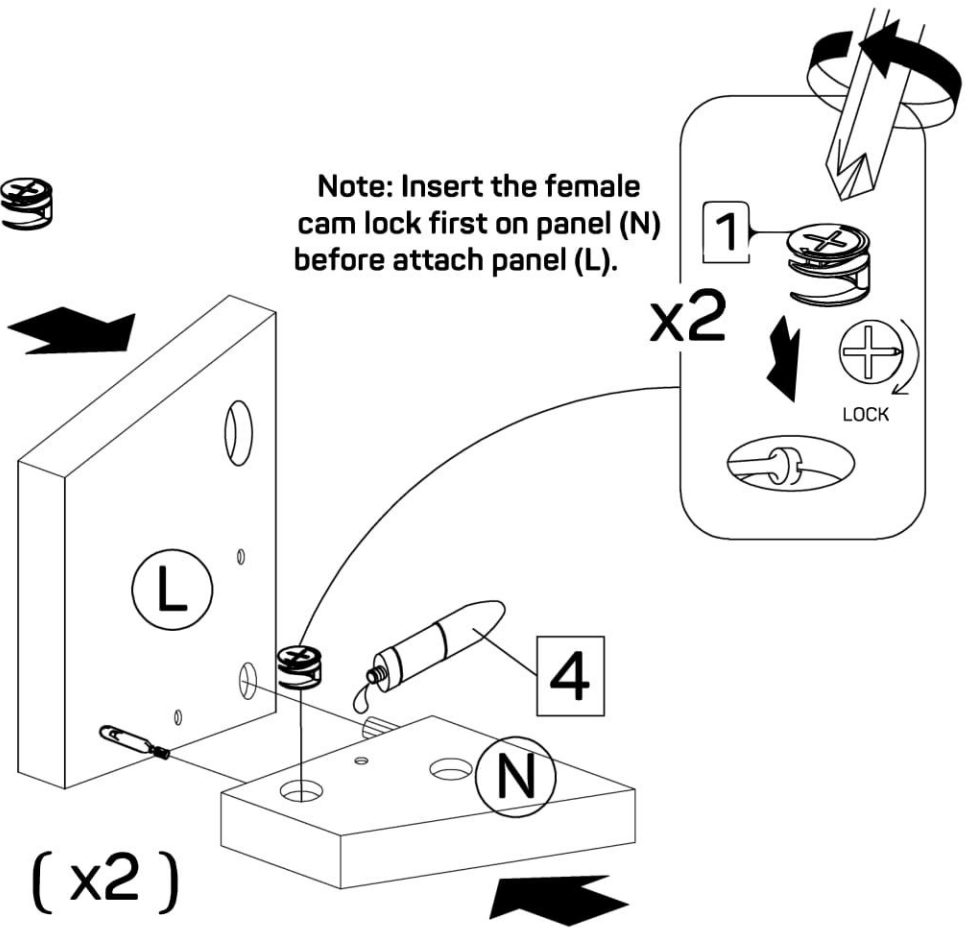


STEP 3

- ① 0.59" FEMALE CAMLOCK 2pcs

- ④ GLUE 1pc

Note: Insert the female cam lock first on panel (N) before attach panel (L).

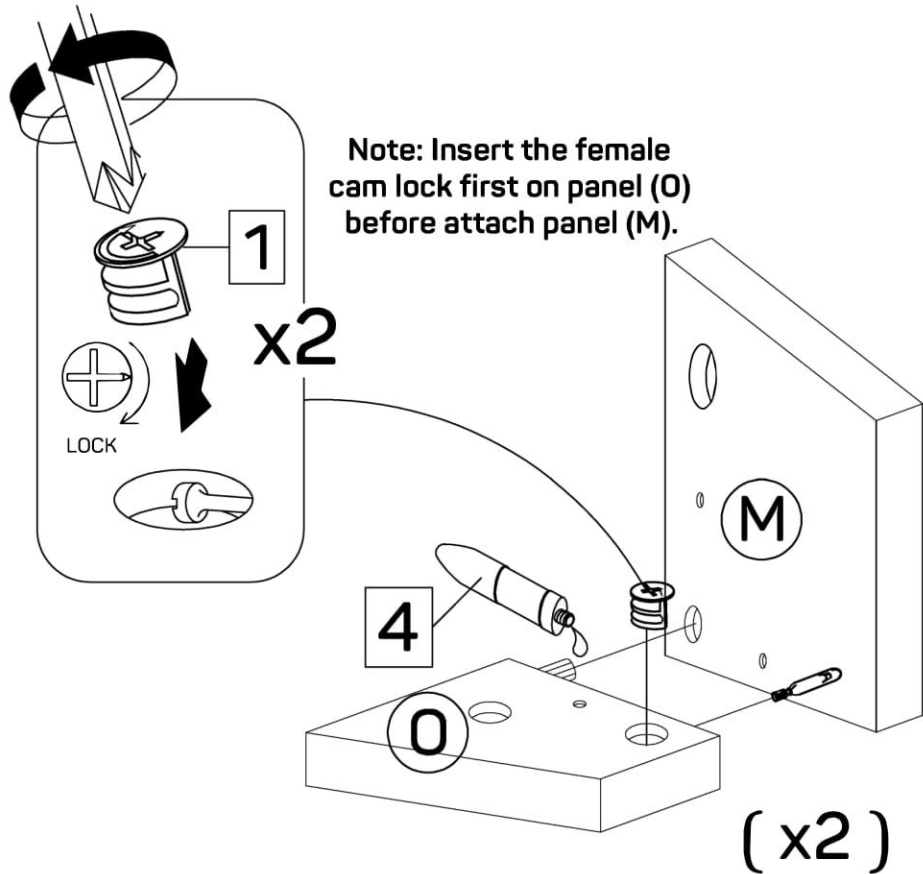


STEP 4

- ① 0.59" FEMALE CAMLOCK 2pcs

- ④ GLUE 1pc

Note: Insert the female cam lock first on panel (O) before attach panel (M).

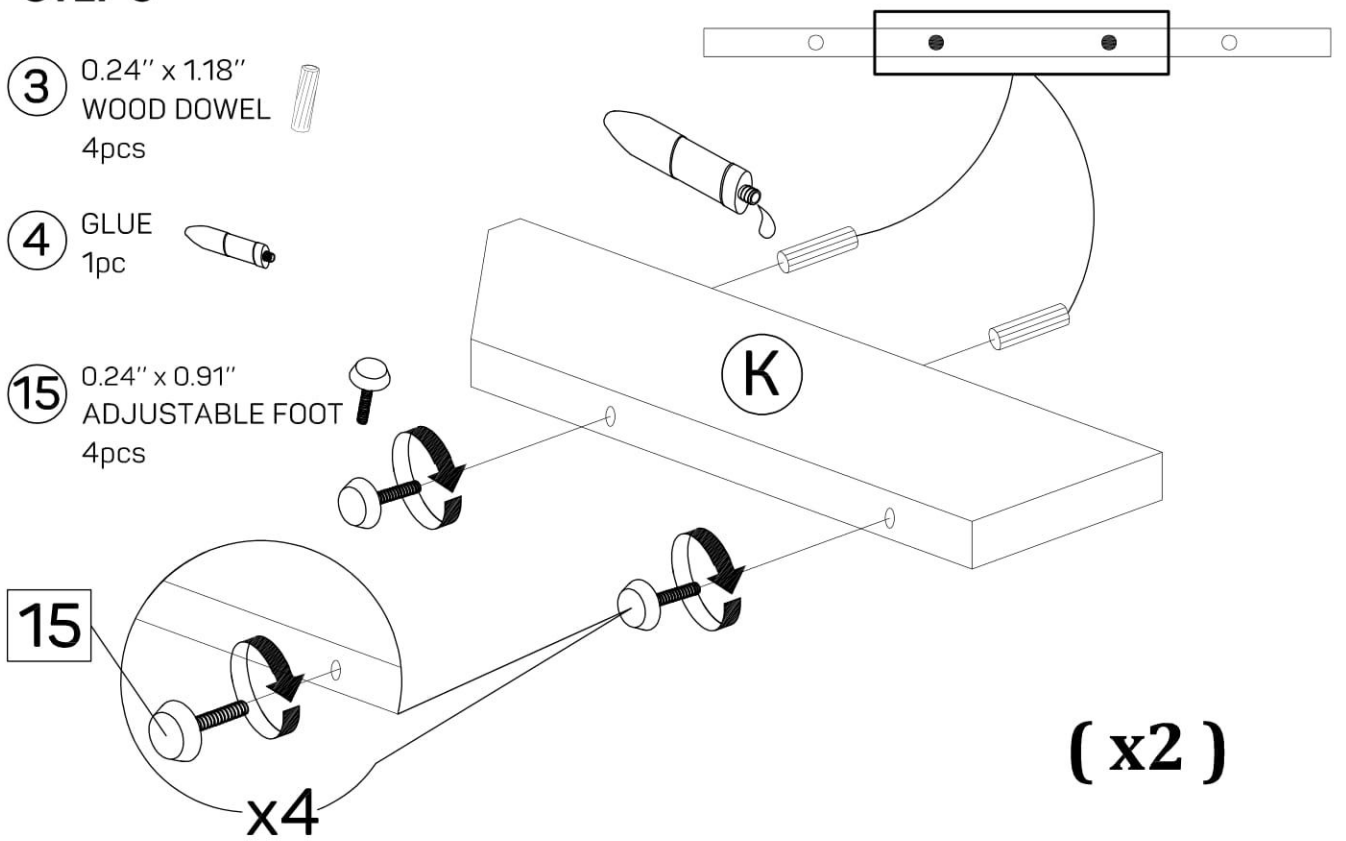


STEP 5

③ 0.24" x 1.18"
WOOD DOWEL
4pcs

④ GLUE
1pc

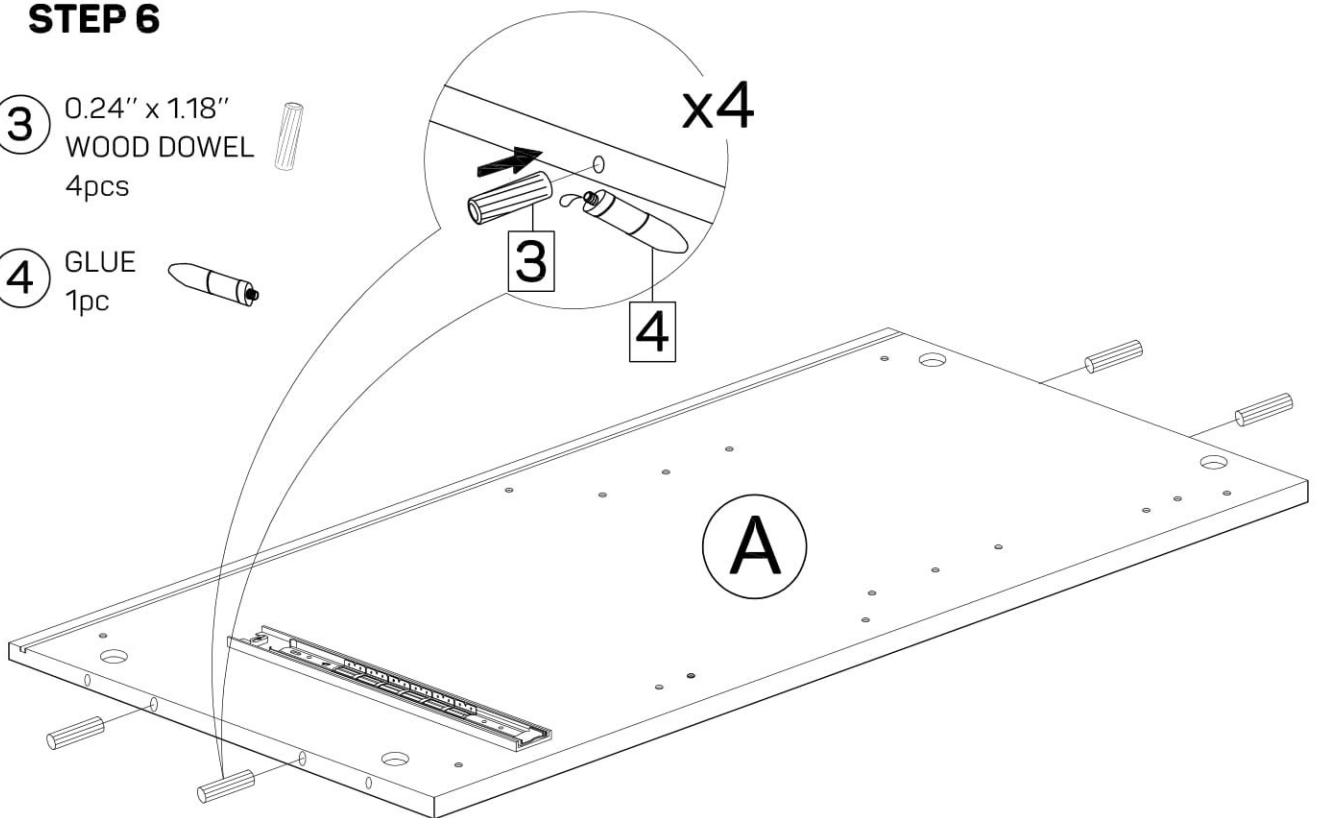
⑮ 0.24" x 0.91"
ADJUSTABLE FOOT
4pcs



STEP 6

③ 0.24" x 1.18"
WOOD DOWEL
4pcs

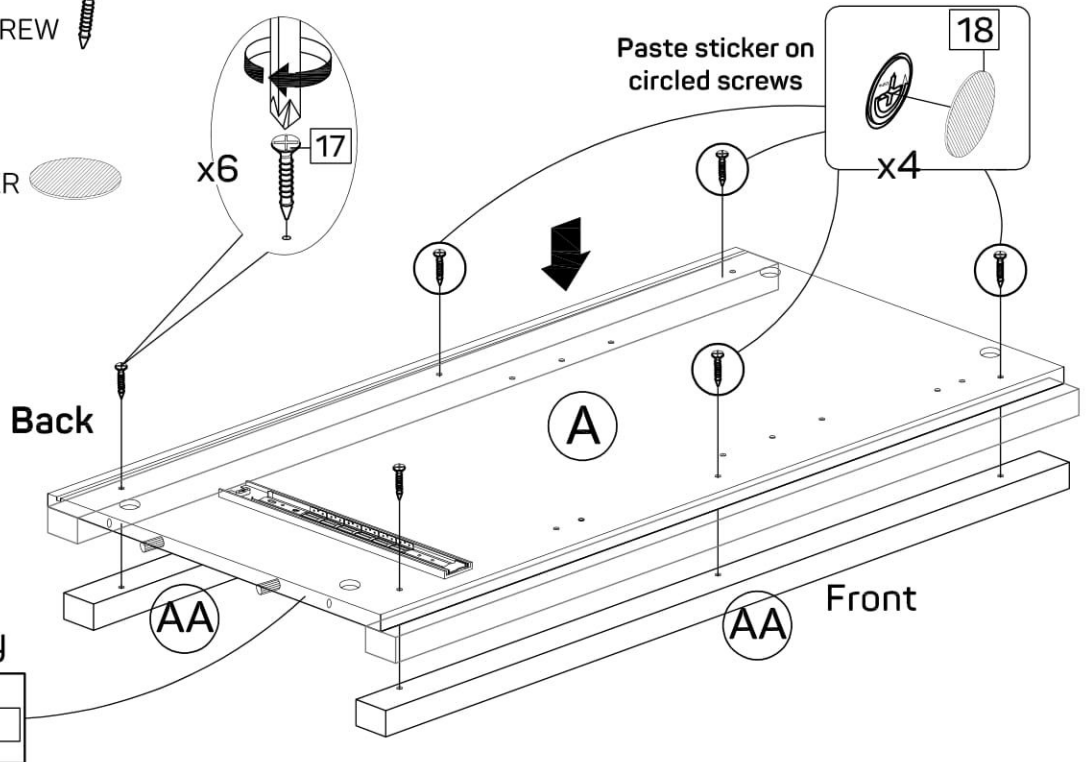
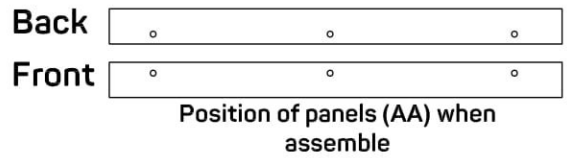
④ GLUE
1pc



STEP 7

①⑦ 0.14" x 0.98"
FLAT HEAD SCREW
6pcs

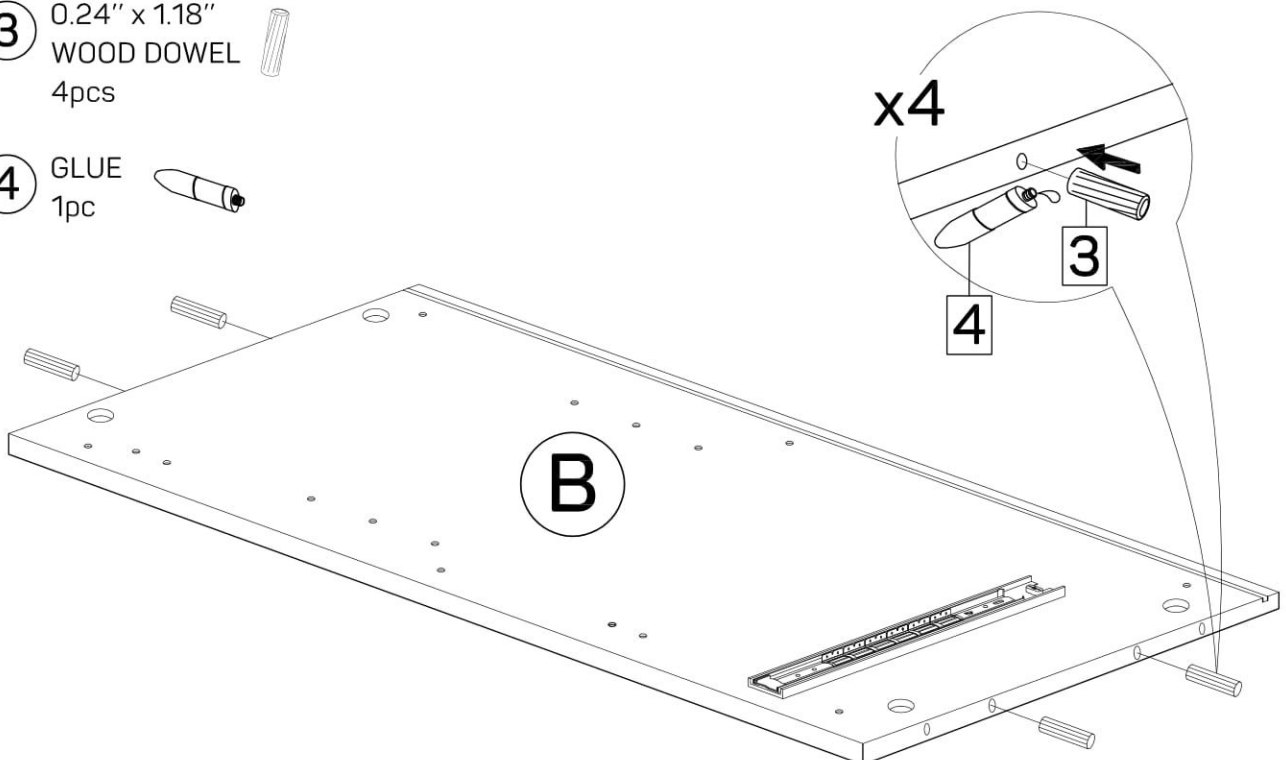
①⑧ 0.67"
STICKER COVER
4pcs



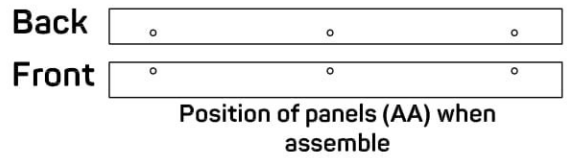
STEP 8

③ 0.24" x 1.18"
WOOD DOWEL
4pcs

④ GLUE
1pc

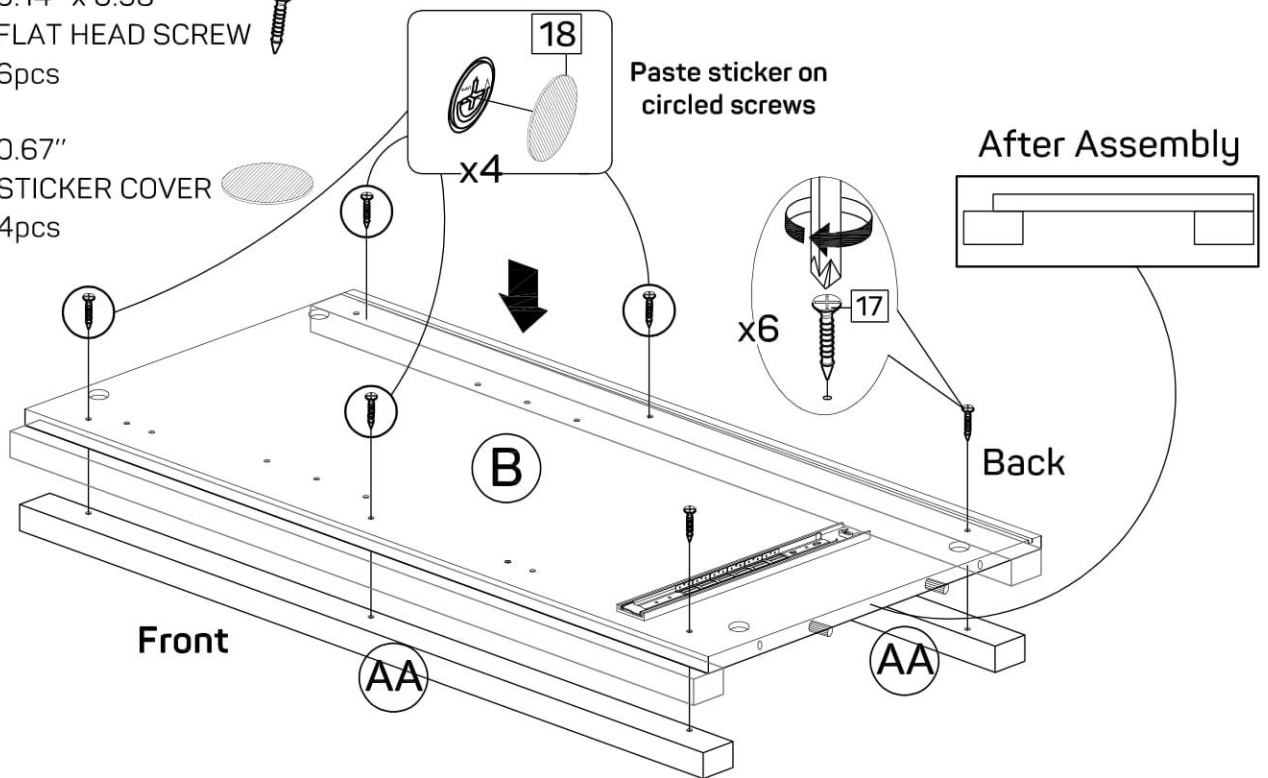


STEP 9



- ①⑦ 0.14" x 0.98" FLAT HEAD SCREW 6pcs

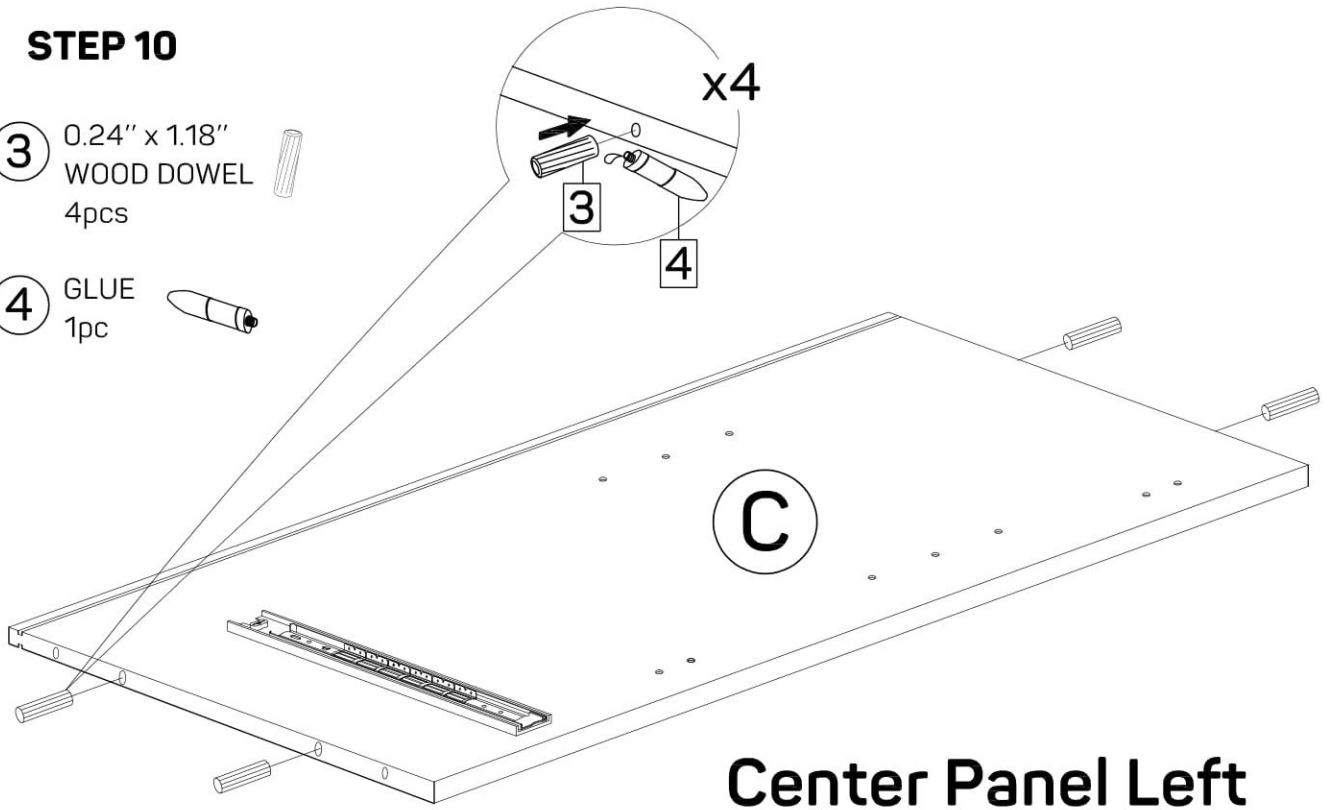
- ①⑧ 0.67" STICKER COVER 4pcs



STEP 10

- ③ 0.24" x 1.18" WOOD DOWEL 4pcs

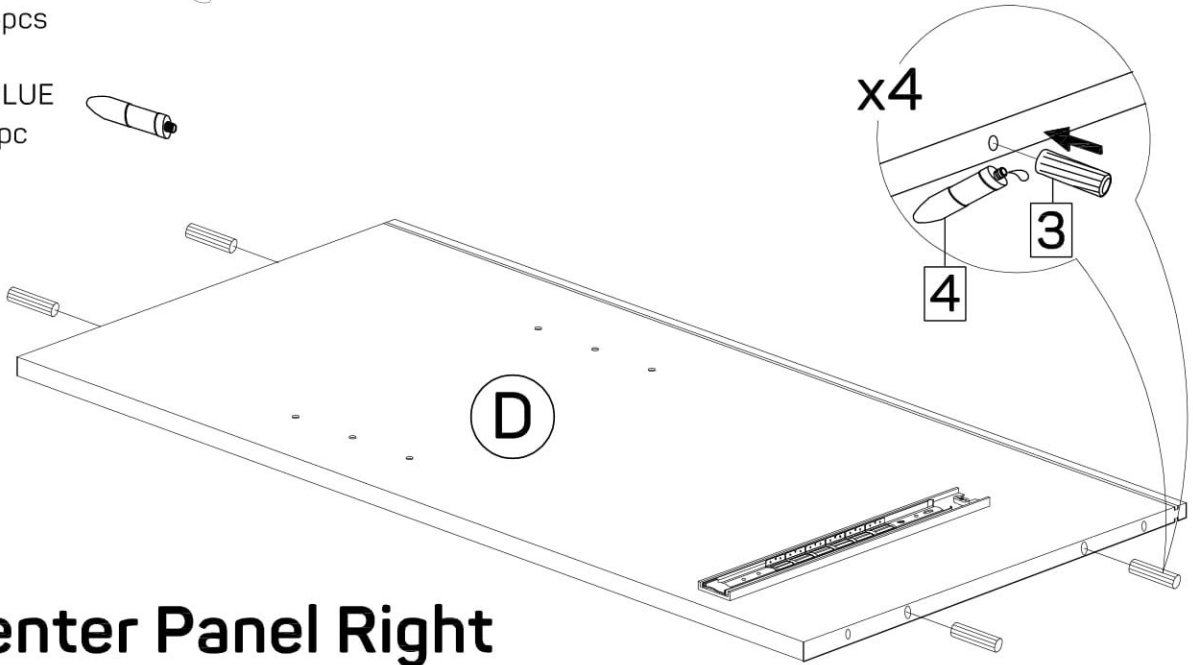
- ④ GLUE 1pc



STEP 11

- ③ 0.24" x 1.18" WOOD DOWEL 4pcs

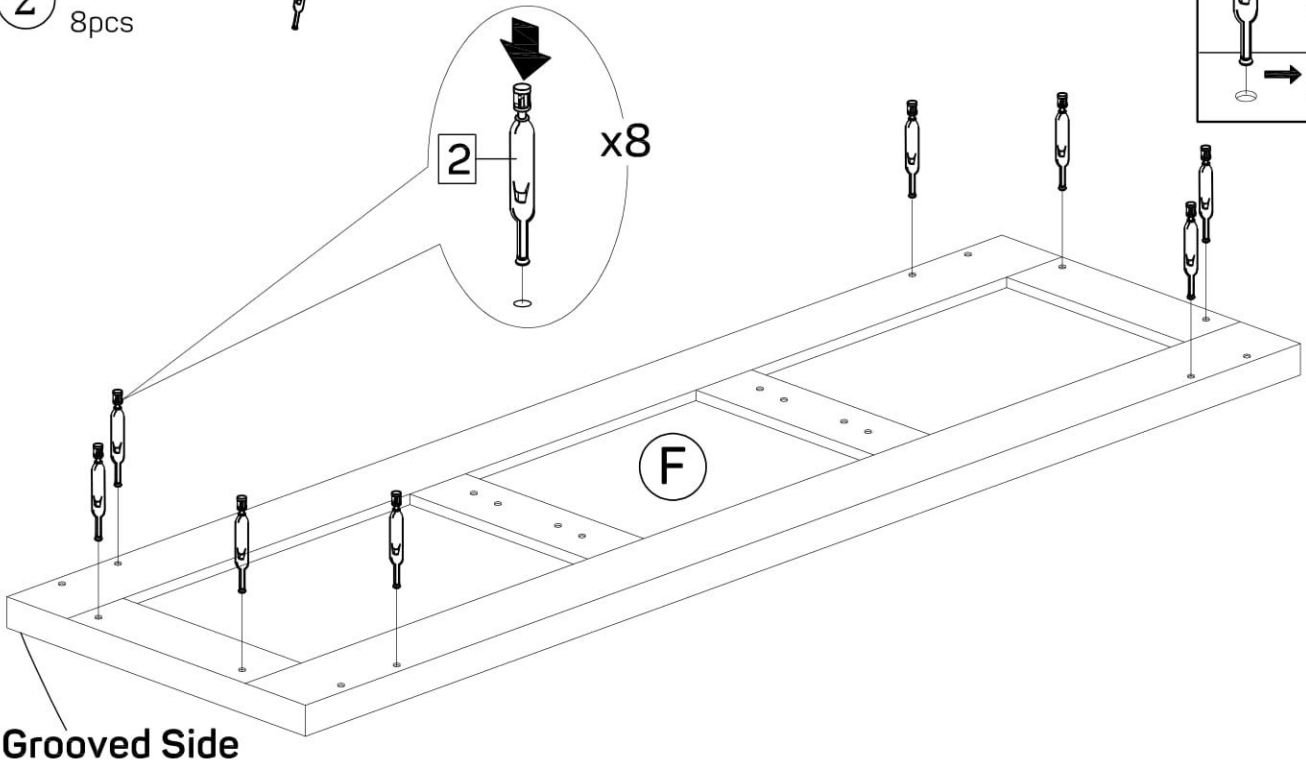
- ④ GLUE 1pc



Center Panel Right

STEP 12

- ② MALE CAMLOCK 8pcs

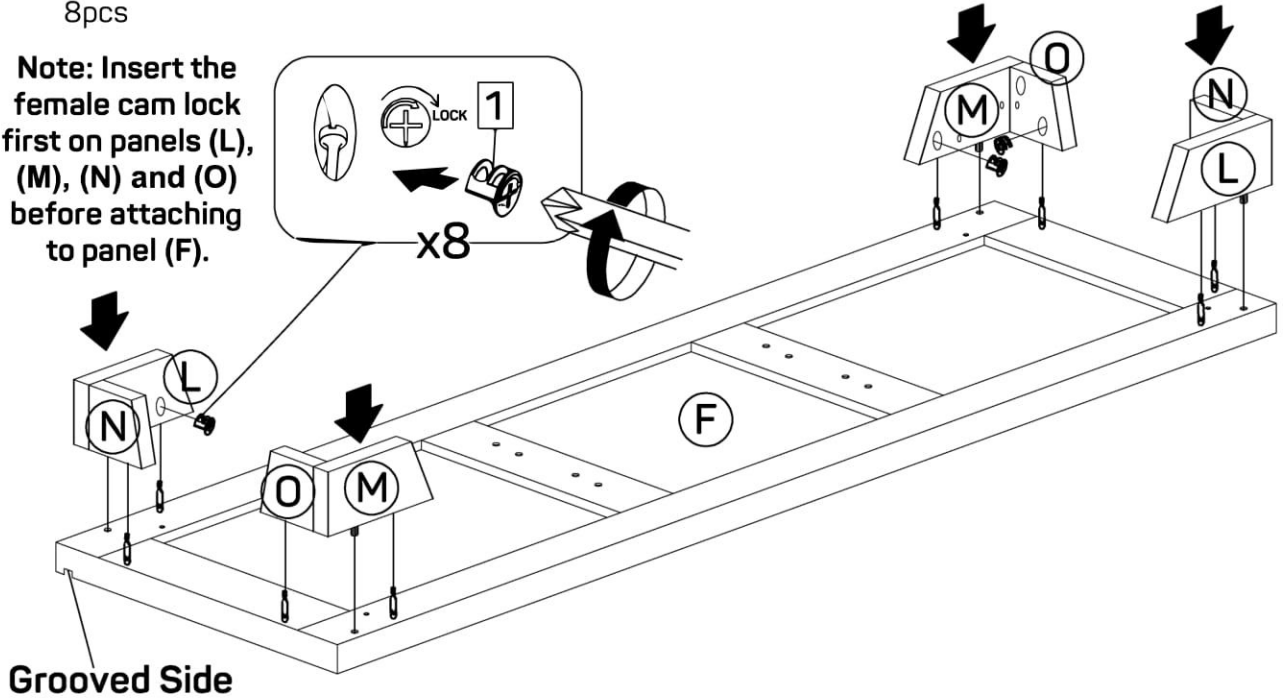


STEP 13

- ① 0.59" FEMALE CAMLOCK
8pcs

Note: Insert the female cam lock first on panels (L), (M), (N) and (O) before attaching to panel (F).

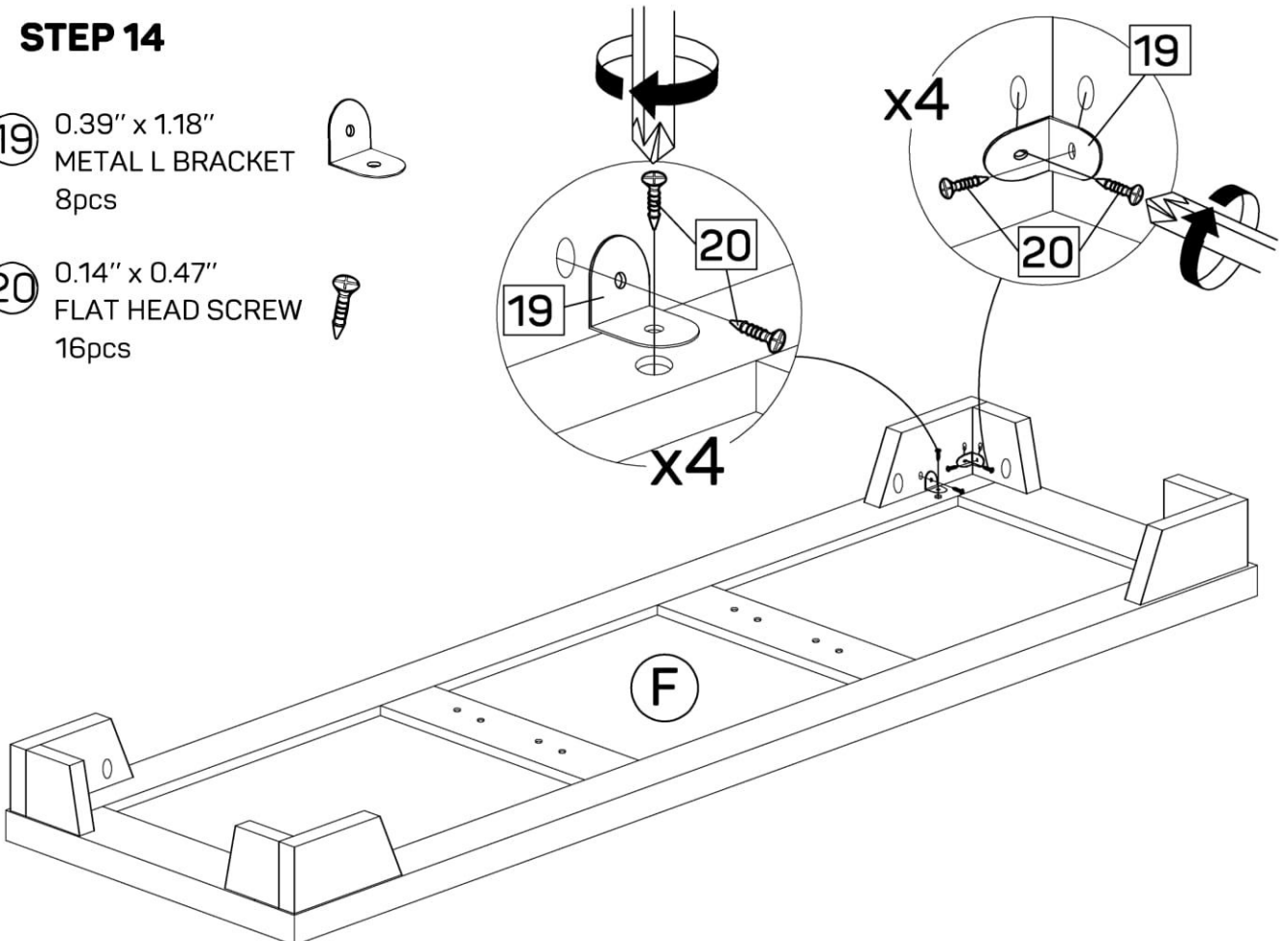
Arrow position on the cam lock is facing down



STEP 14

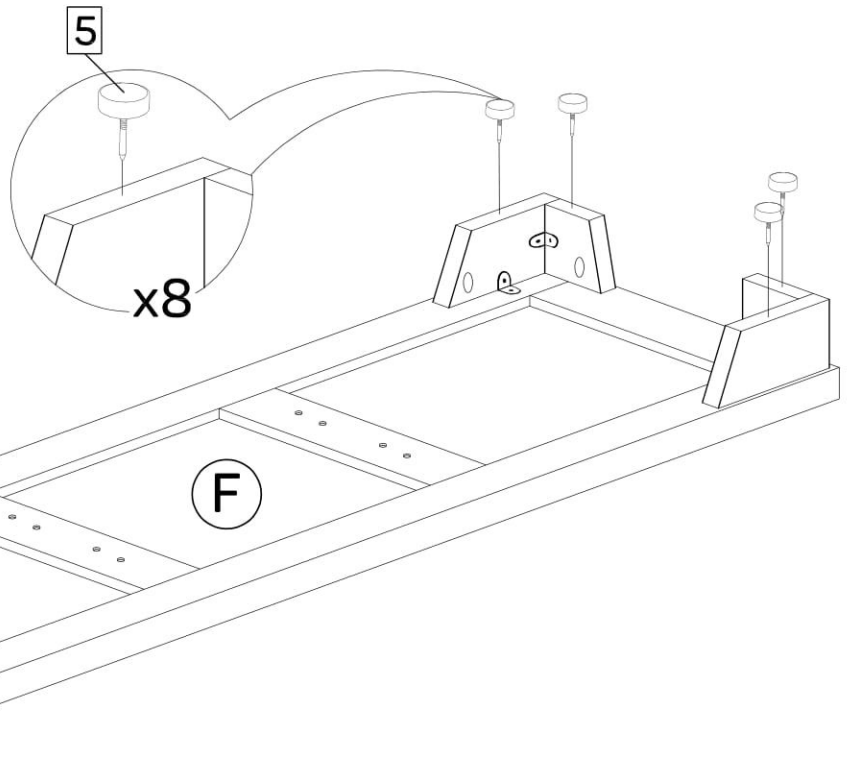
- ①⑨ 0.39" x 1.18" METAL L BRACKET
8pcs

- ②① 0.14" x 0.47" FLAT HEAD SCREW
16pcs



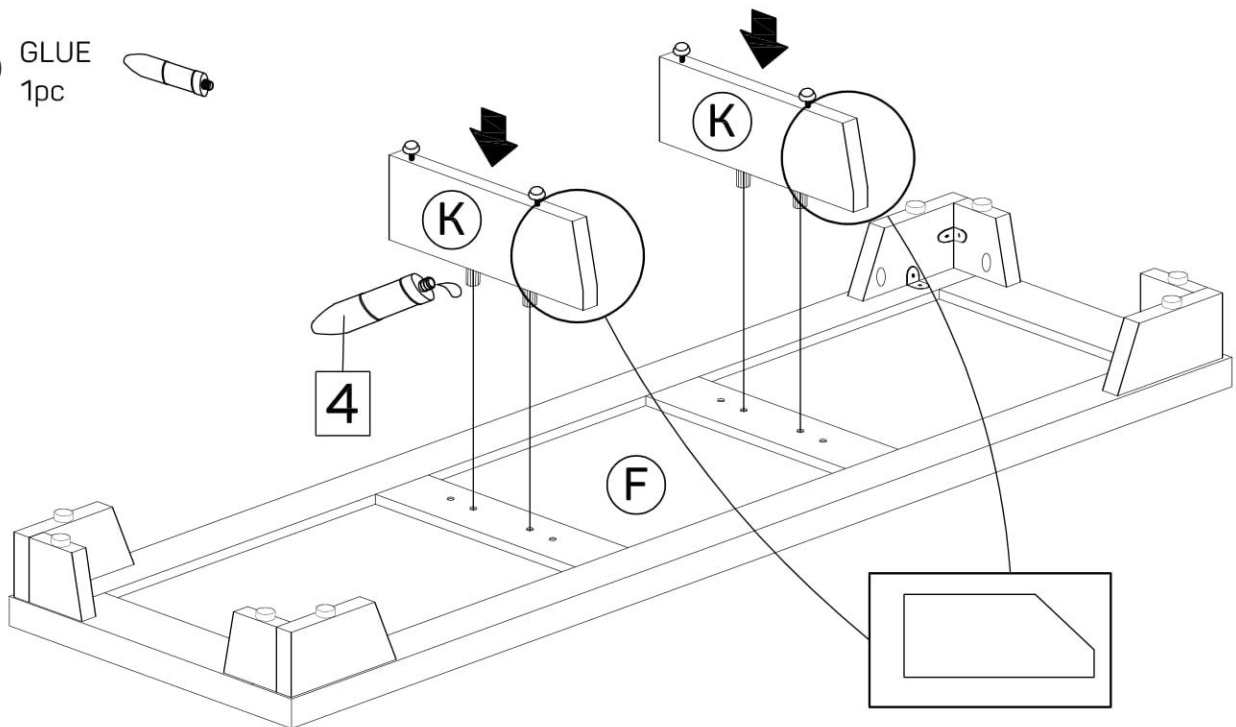
STEP 15

5 FLOOR GLIDE
8pcs



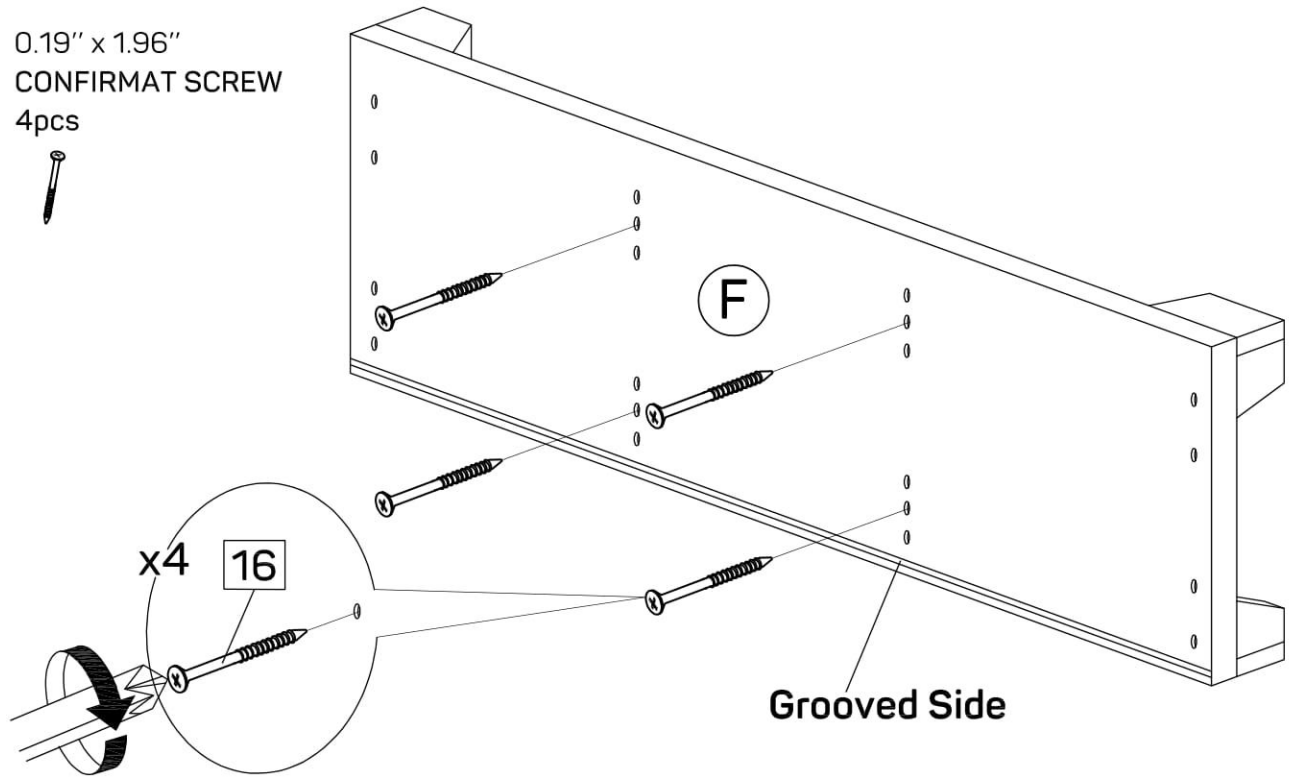
STEP 16

4 GLUE
1pc



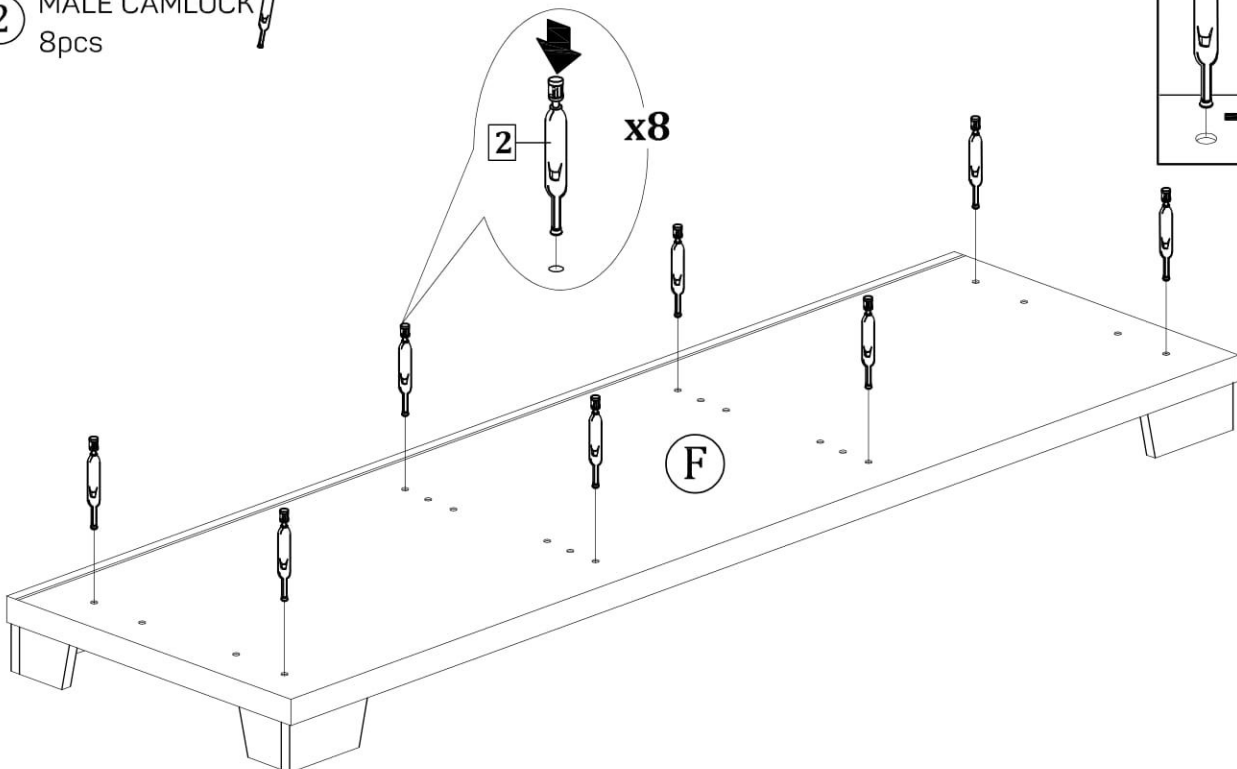
STEP 17

- ① 0.19" x 1.96"
CONFIRMAT SCREW
4pcs



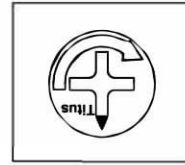
STEP 18

- ② MALE CAMLOCK
8pcs



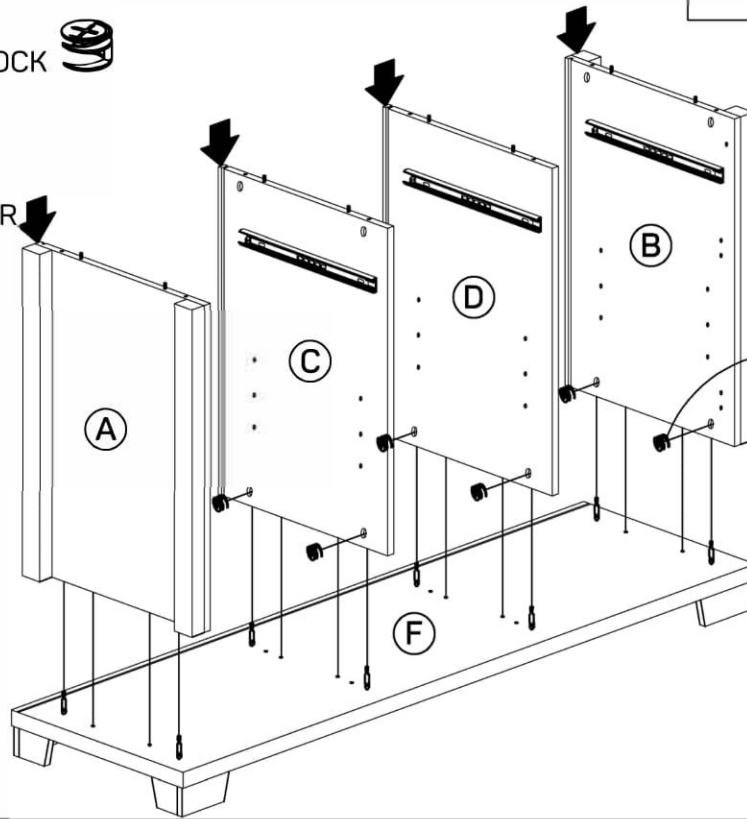
STEP 19

Arrow position on the cam
lock is facing panel (F)

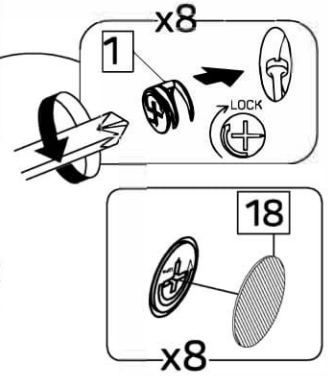


- ① 0.59"
FEMALE CAMLOCK 8pcs

- ⑱ 0.67"
STICKER COVER 8pcs

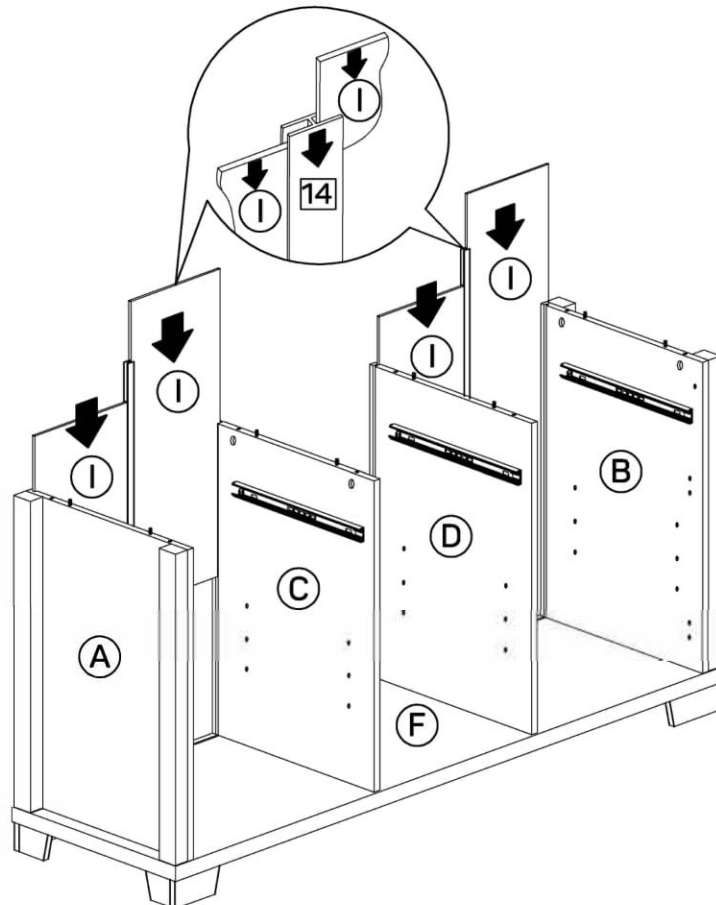


Note: Insert the female
cam lock first on panels
(A), (B), (C) and (D)
before attaching to
panel (F).



STEP 21

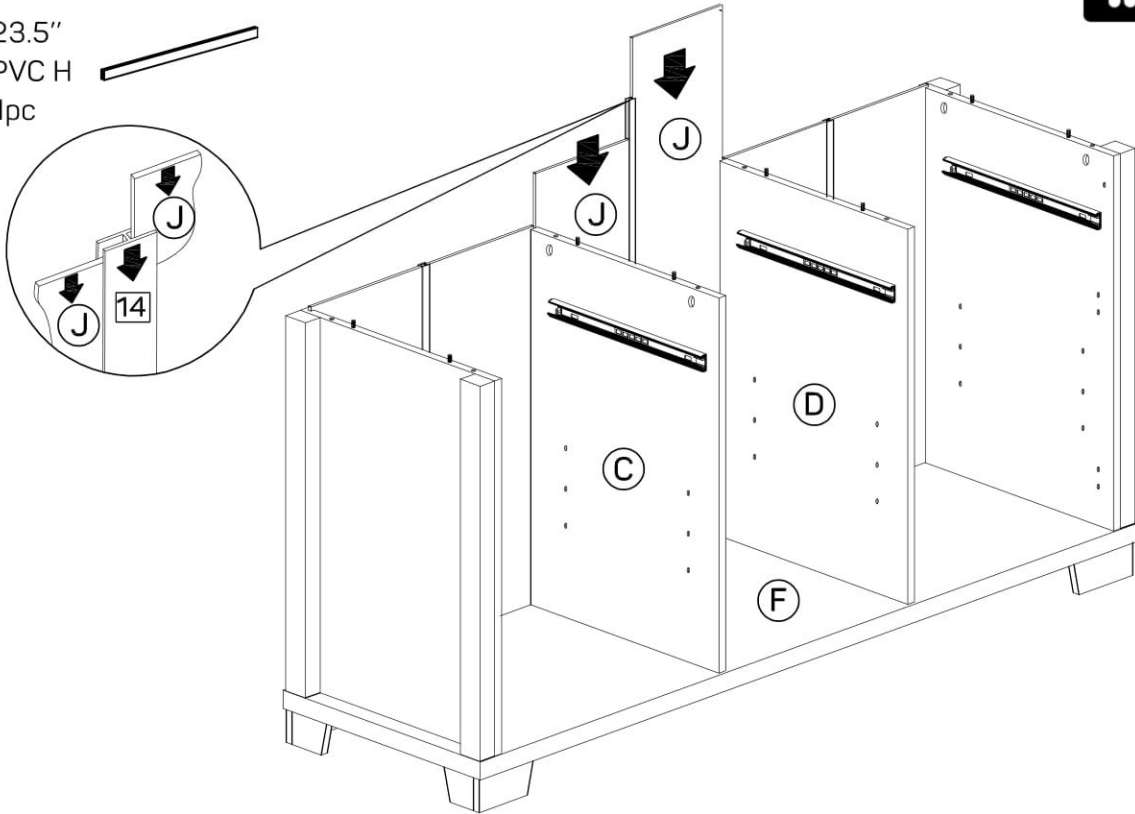
- ⑭ 23.5"
PVC H 2pcs



STEP 22

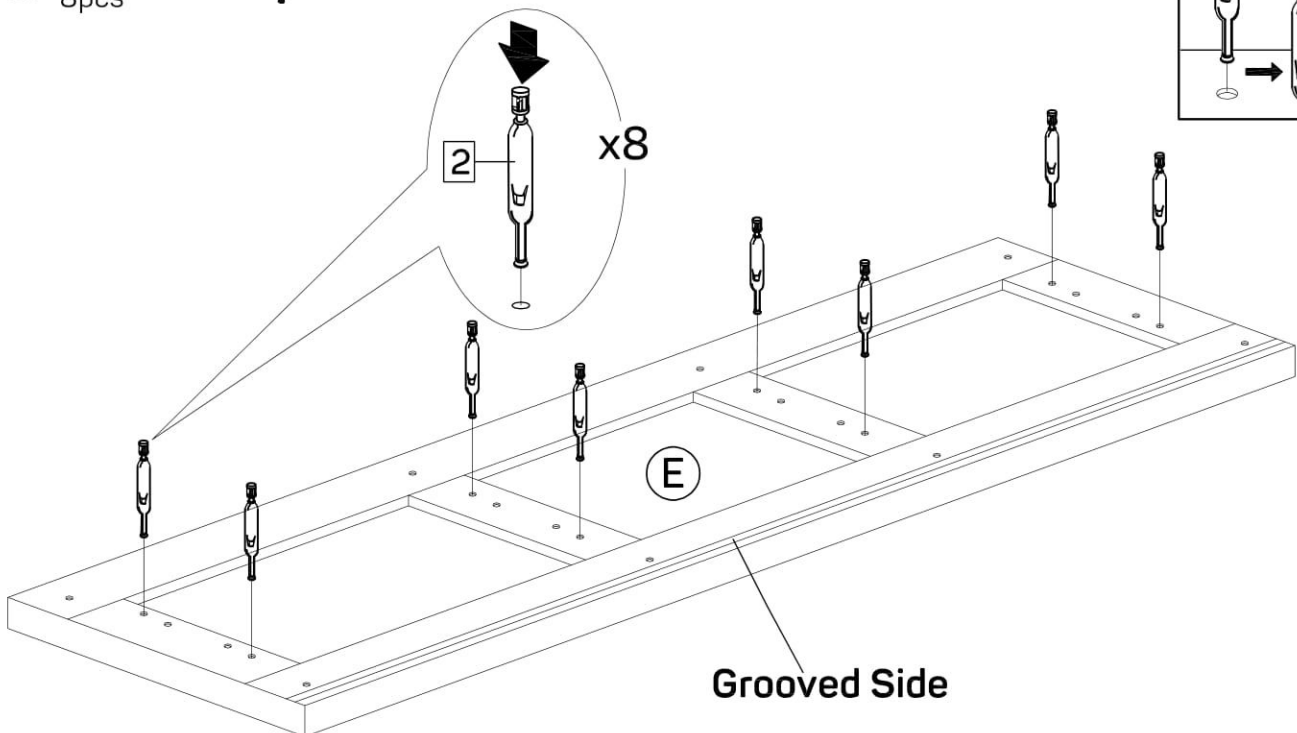
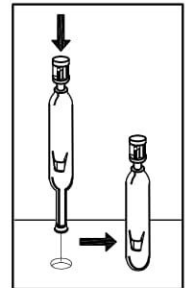


- ⑭ 23.5"
PVC H
1pc



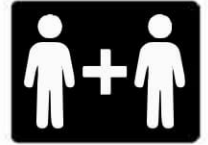
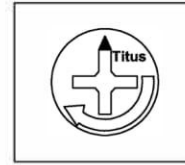
STEP 23

- ② MALE CAMLOCK
8pcs

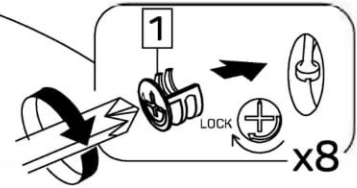
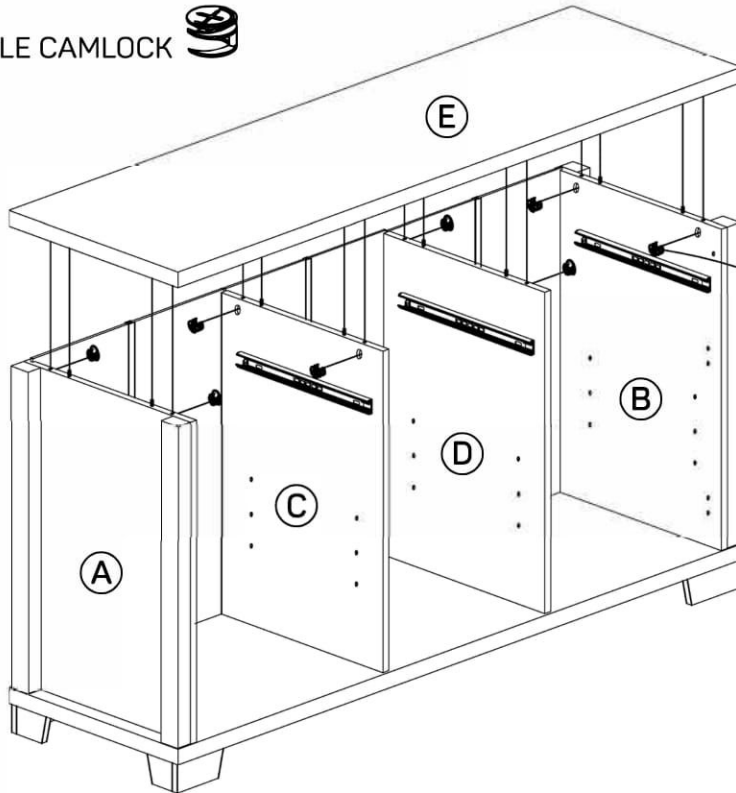


STEP 24

Arrow position on the cam lock is facing up



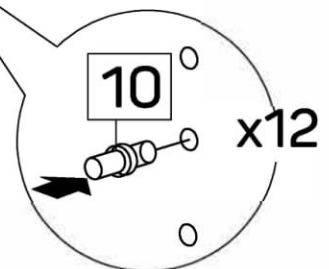
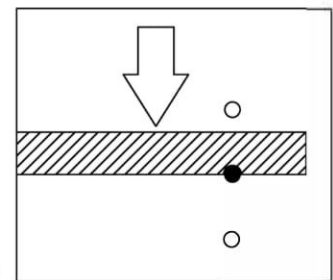
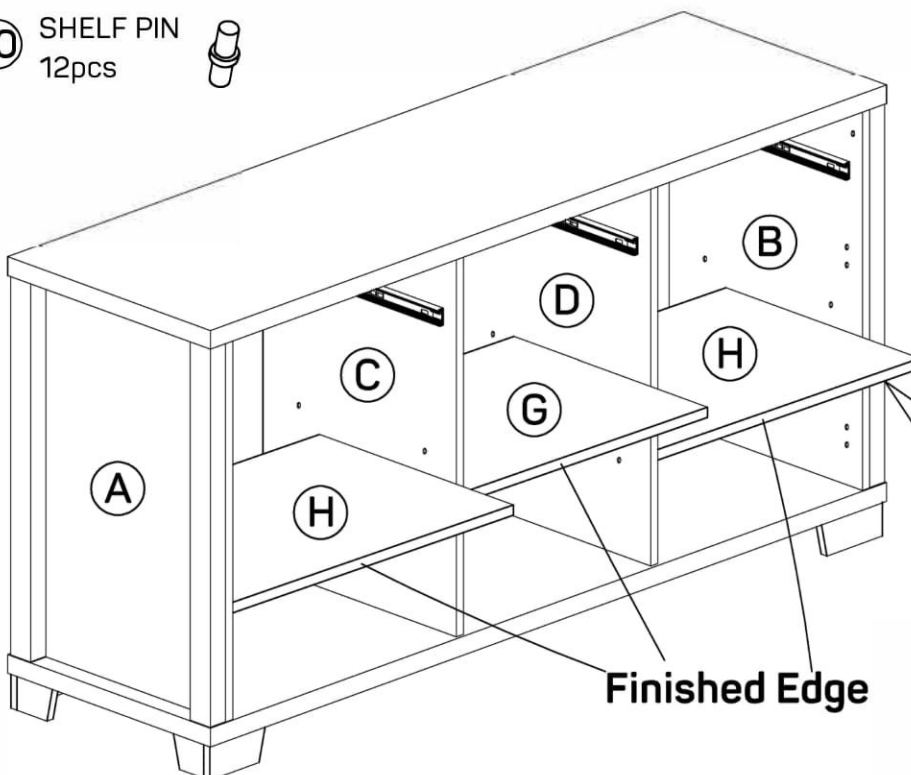
- ① 0.59" FEMALE CAMLOCK 
8pcs



Note: Insert the female cam locks first on panels (A), (B), (C) and (D) before attaching panel (E).

STEP 25

- ⑩ SHELF PIN 
12pcs



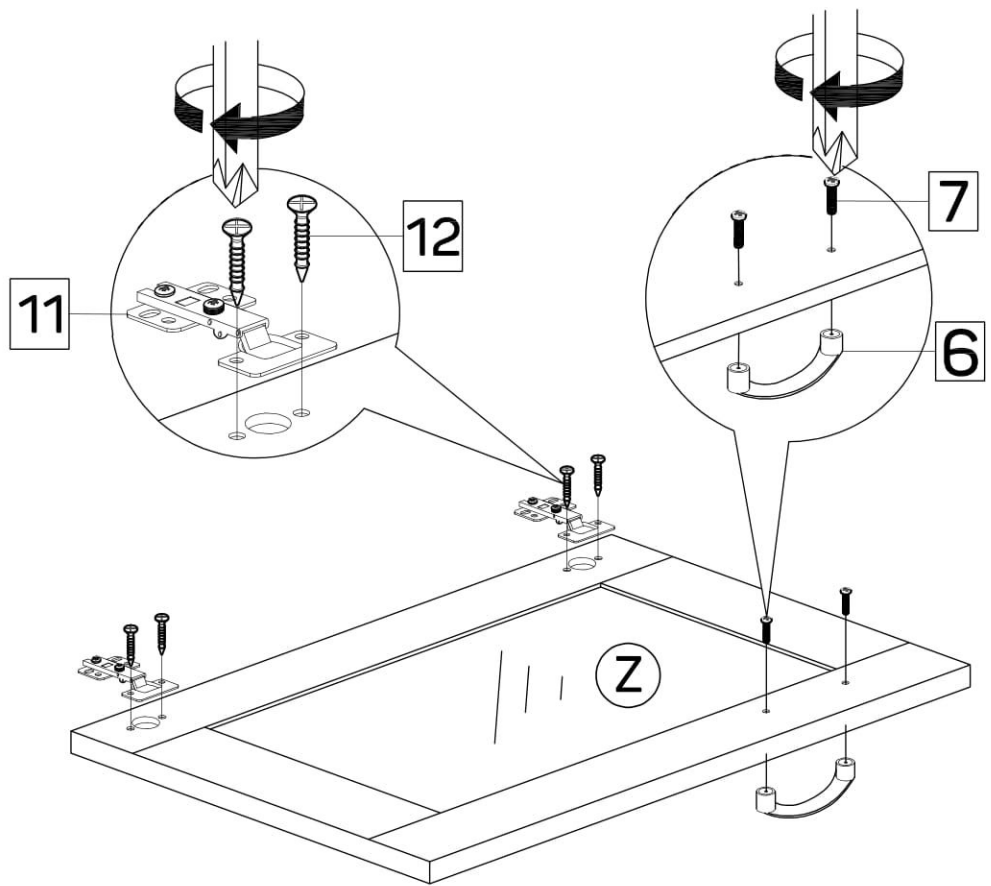
STEP 26

⑥ HANDLE
1pc

⑦ 0.16" x 0.79"
MACHINE SCREW
2pcs

⑪ 5/8
HINGES
2pcs

⑫ 0.16" x 0.63"
FLAT HEAD SCREW
4pcs



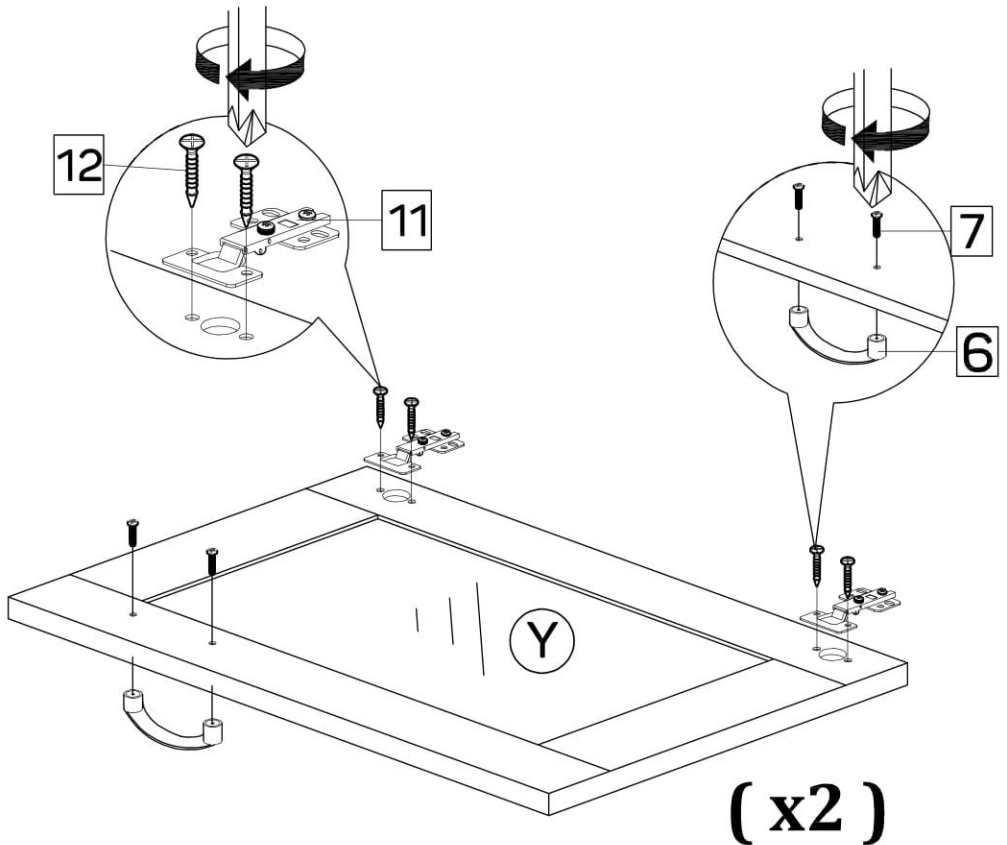
STEP 27

⑥ HANDLE
2pcs

⑦ 0.16" x 0.79"
MACHINE SCREW
4pcs

⑪ 5/8
HINGES
4pcs

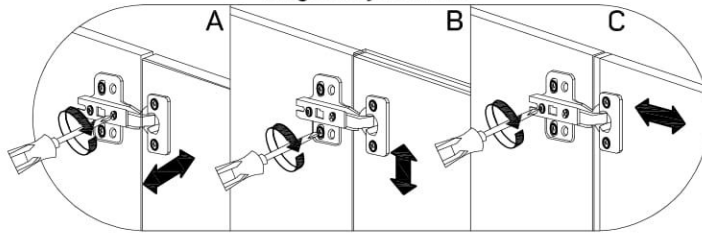
⑫ 0.16" x 0.63"
FLAT HEAD SCREW
8pcs



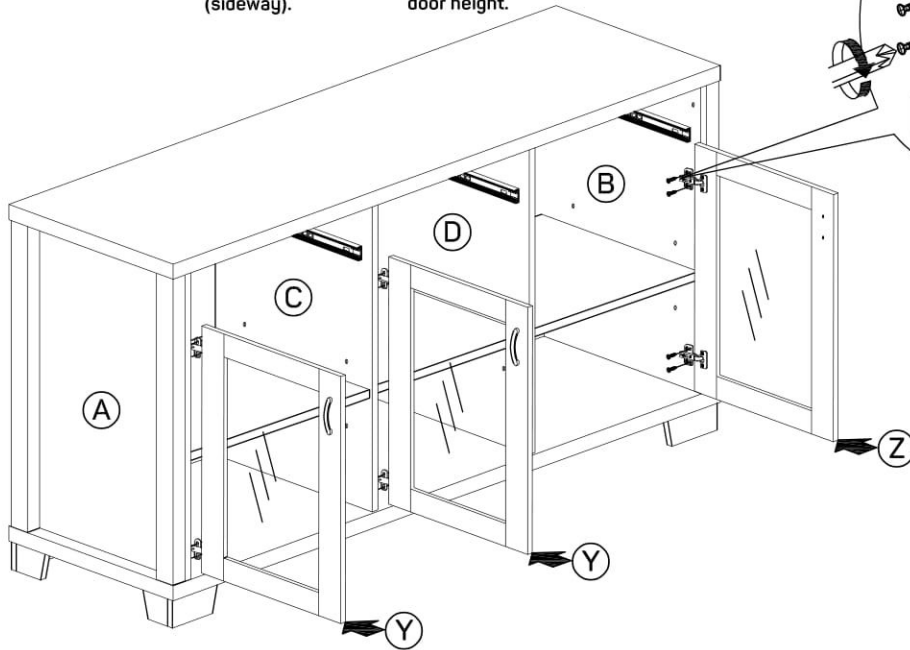
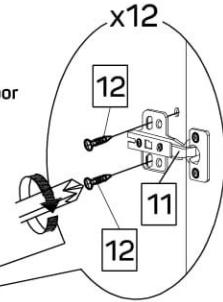
Hinges Adjustment

STEP 28

- 12 0.16" x 0.63"
FLAT HEAD SCREW
12pcs



- A. Turn front screw to adjust door overlay (sideway).
B. Rotate cam screw on mounting plate to adjust door height.
C. Turn rear screw for depth adjustment.

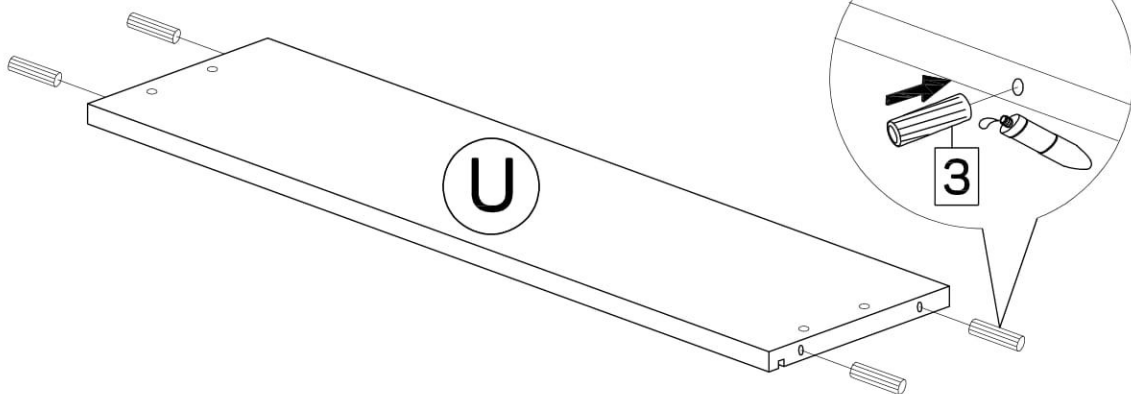


STEP 29

- 3 0.24" x 1.18"
WOOD DOWEL
8pcs



- 4 GLUE
1pc

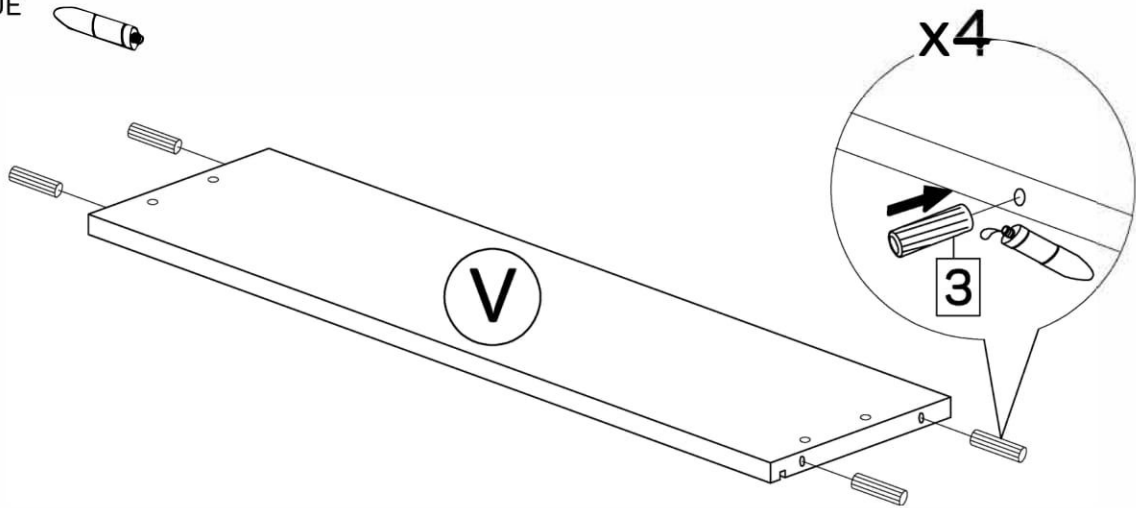


(x2)

STEP 30

- ③ 0.24" x 1.18" WOOD DOWEL
4pcs

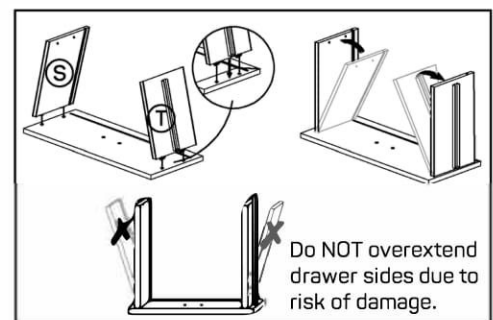
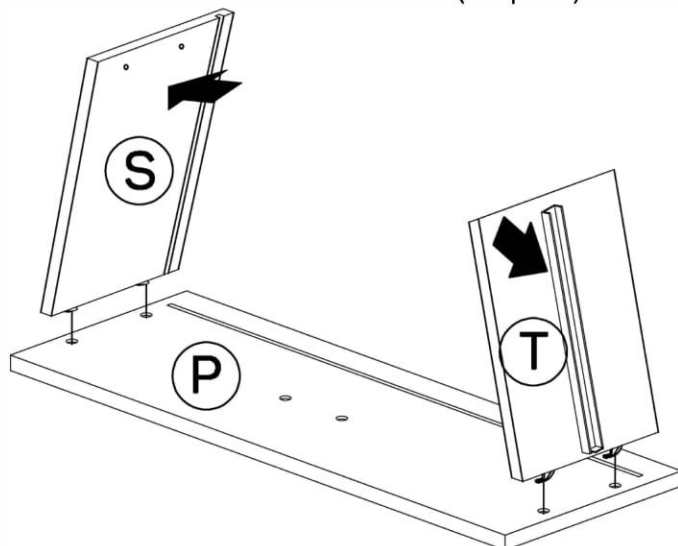
- ④ GLUE
1pc



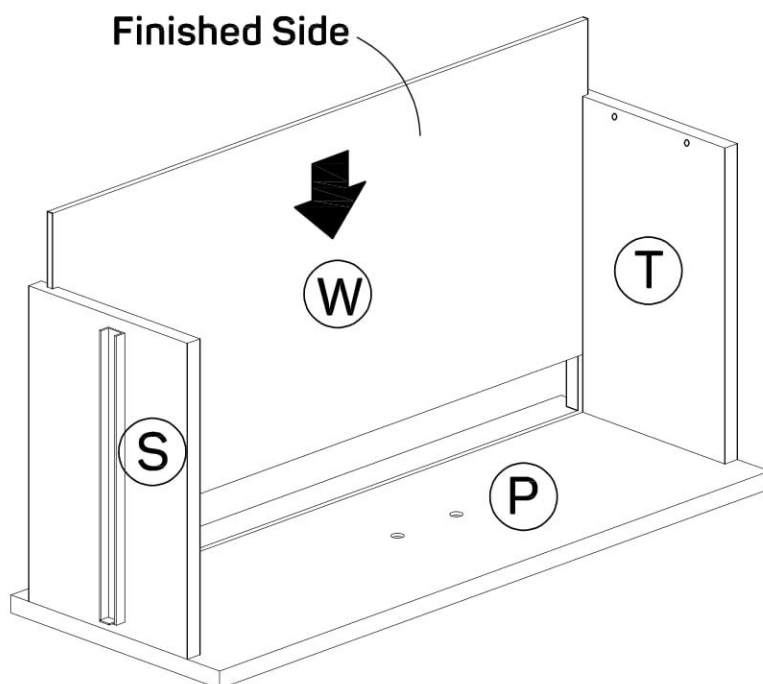
STEP 31

Insert the hooks of drawer side panels (T) and (S) into the drawer front left (P) holes at a 45° angle. While keeping slight downward pressure, adjust boards outwardly to full 90° angle.

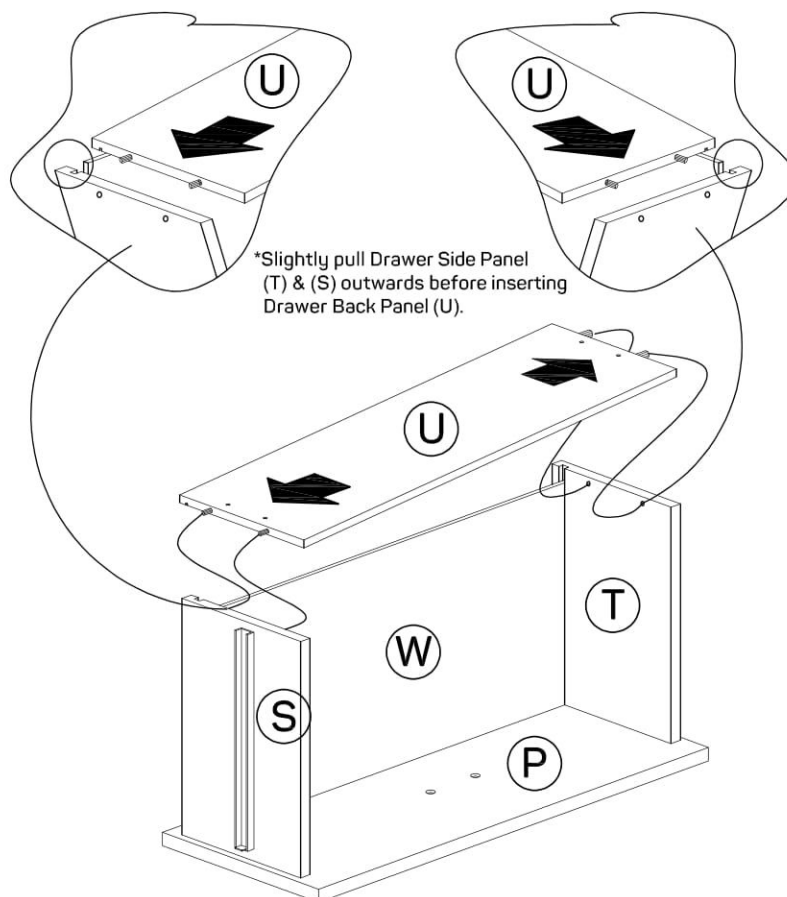
NOTE: The drawer sides will be slightly unstable until the drawer bottom is installed (step 32).



STEP 32

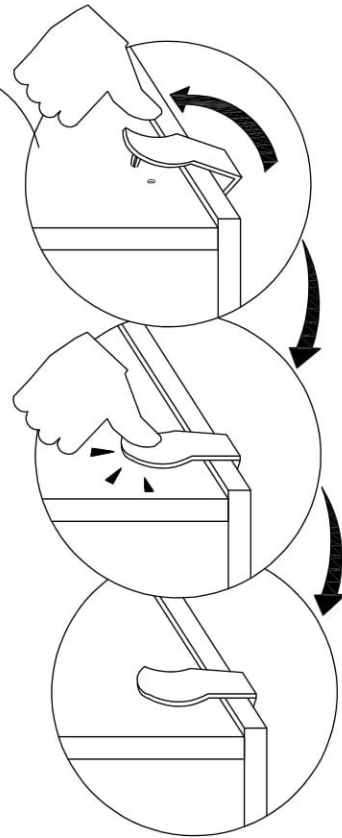
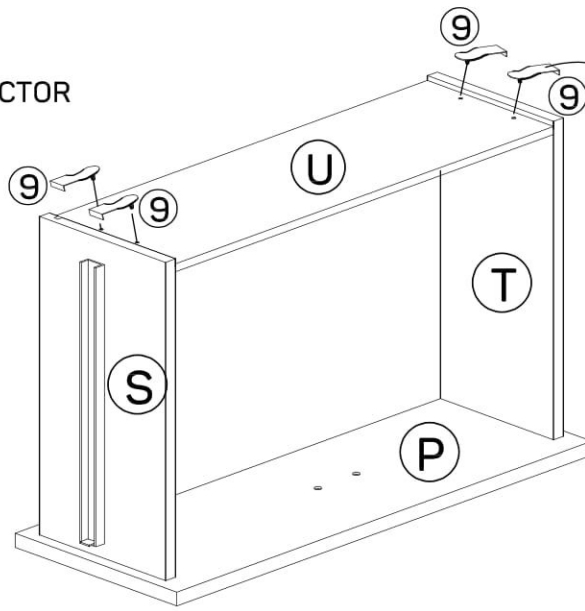


STEP 33



STEP 34

- ⑨ REAR CONNECTOR
4pcs

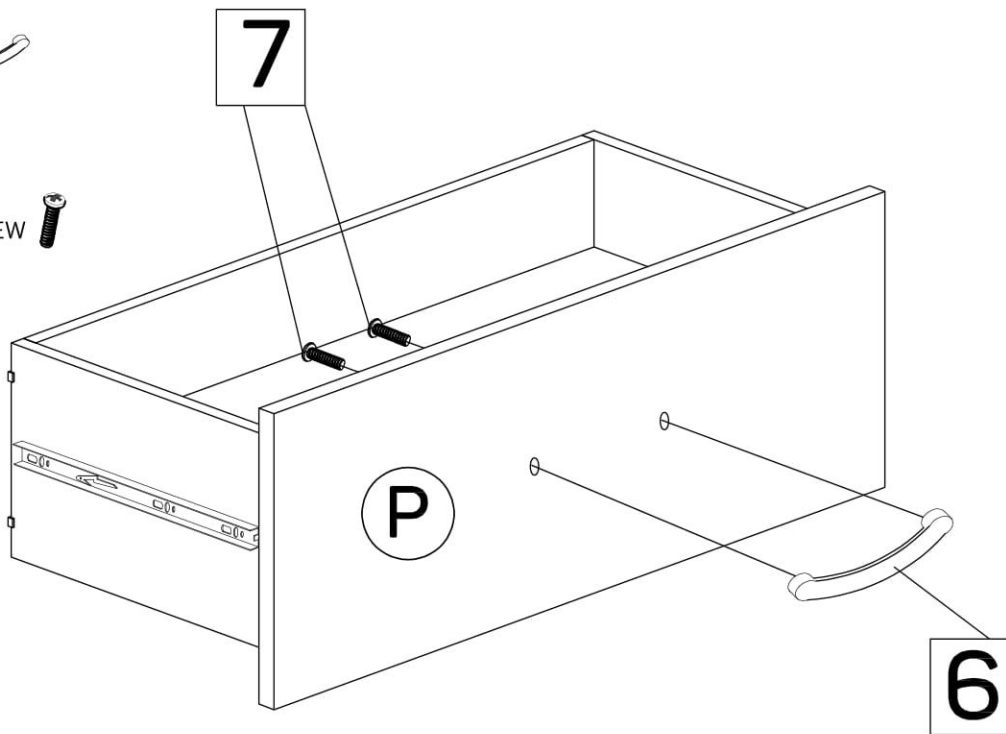


STEP 35

- ⑥ HANDLE
1pc



- ⑦ 0.16" x 0.79"
MACHINE SCREW
2pcs

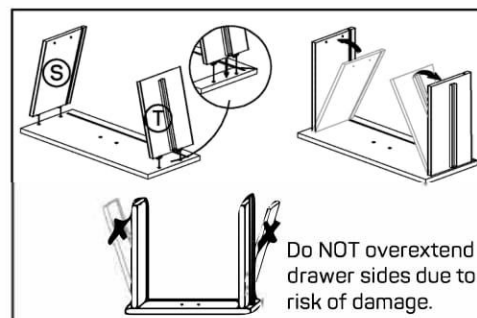
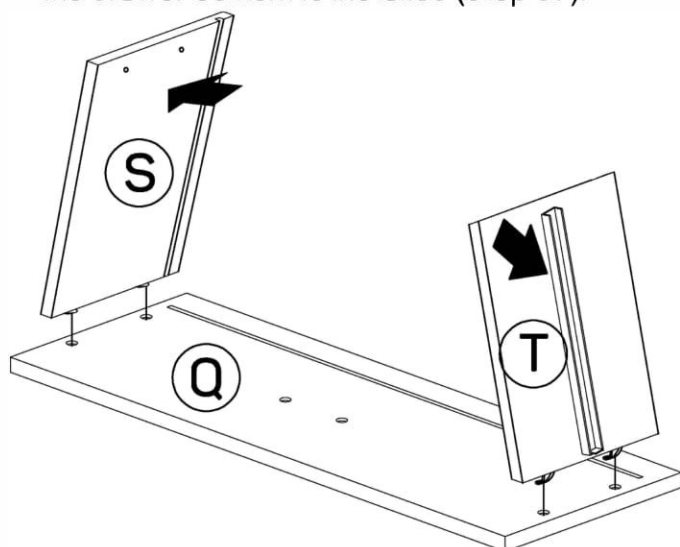


STEP 36

Insert the hooks of drawer side panels (T) and (S) into the drawer front right (Q) holes at a 45° angle. While keeping slight downward pressure, adjust boards outwardly to full 90° angle.

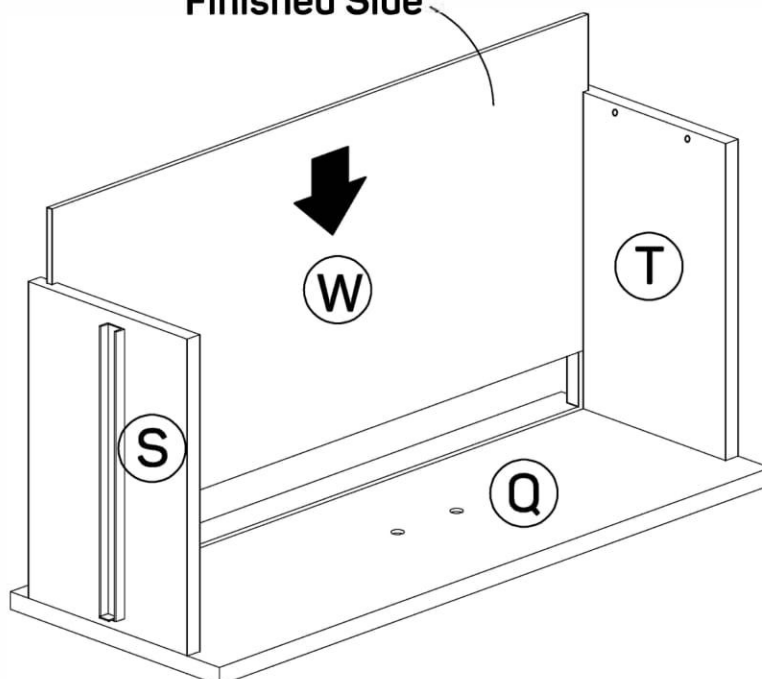


NOTE: The drawer sides will be slightly unstable until the drawer bottom is installed (step 37).

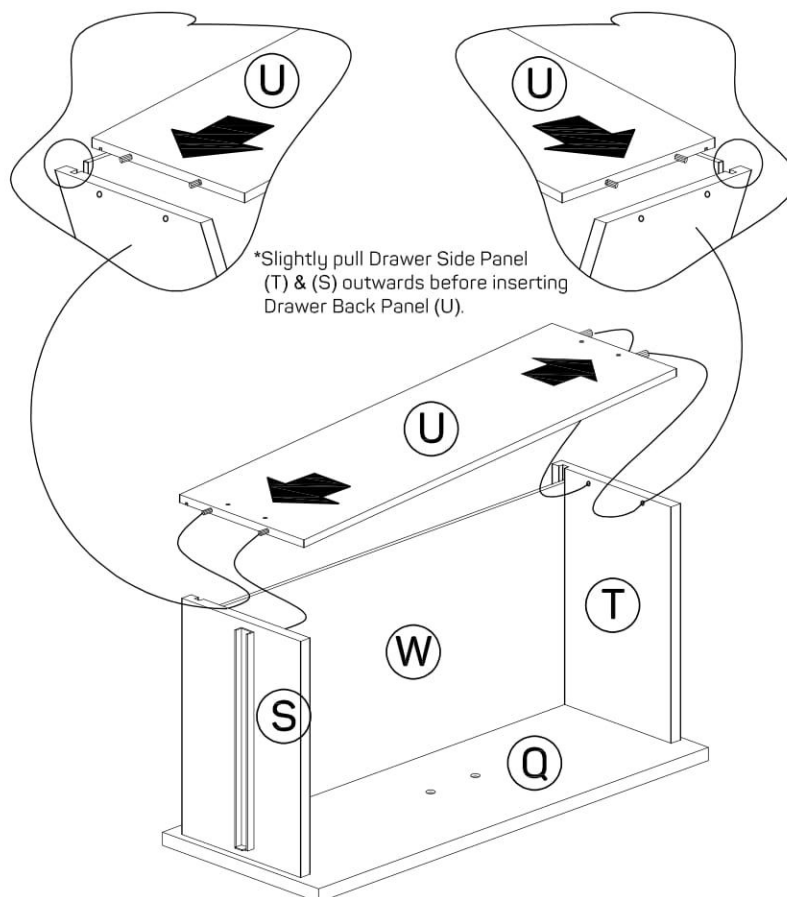


STEP 37

Finished Side

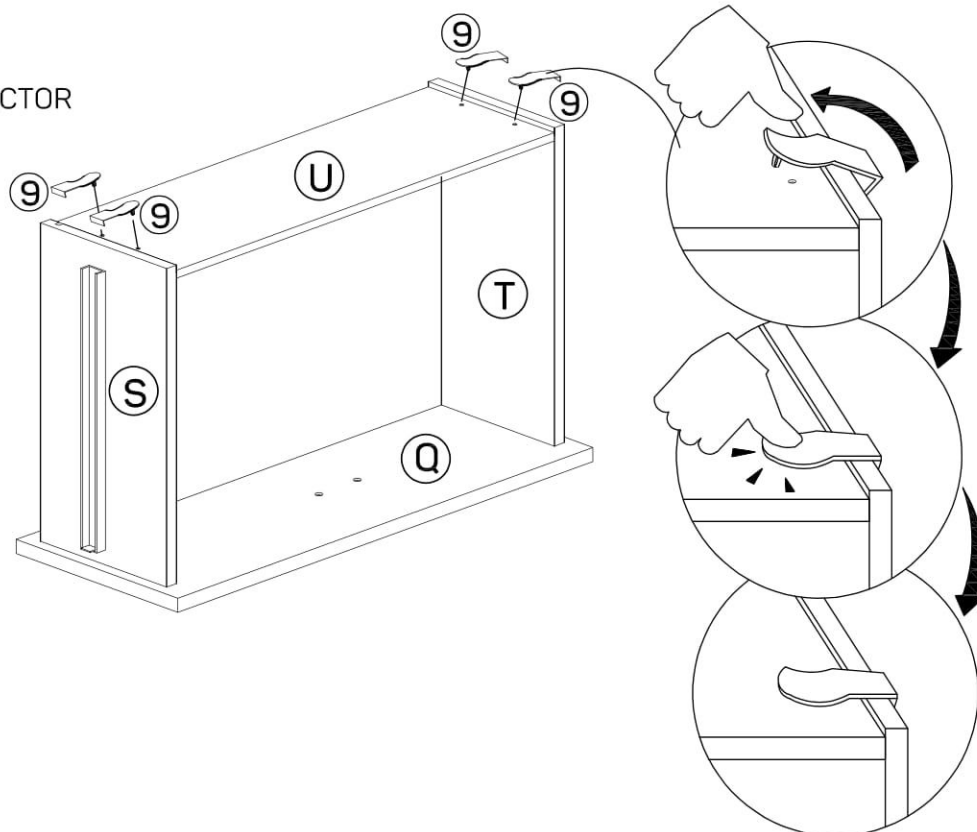


STEP 38



STEP 39

⑨ REAR CONNECTOR
4pcs

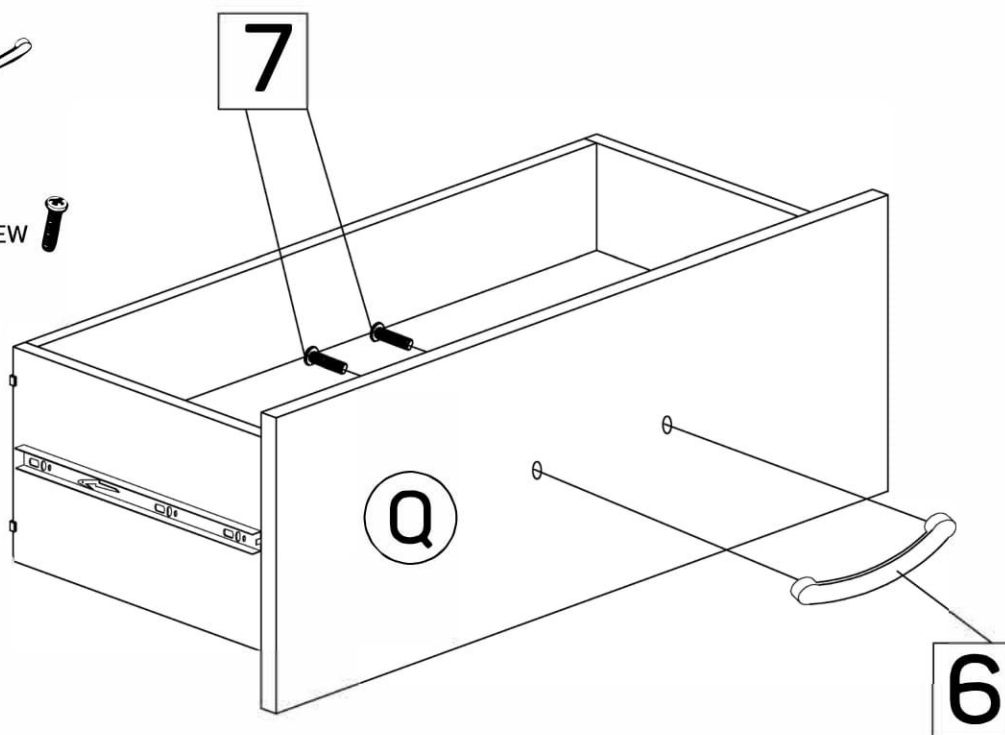


STEP 40

⑥ HANDLE
1pc



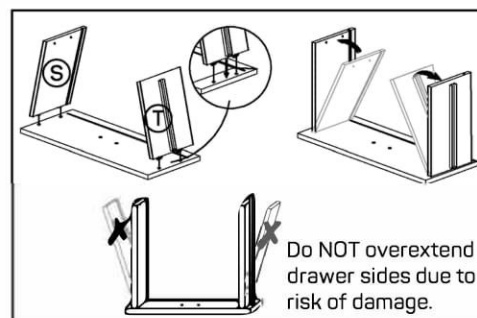
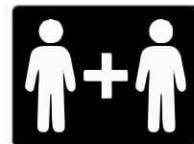
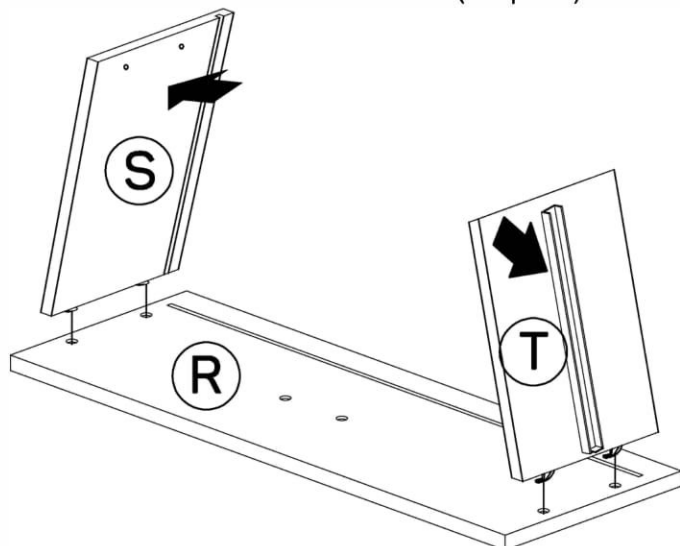
⑦ 0.16" x 0.79"
MACHINE SCREW
2pcs



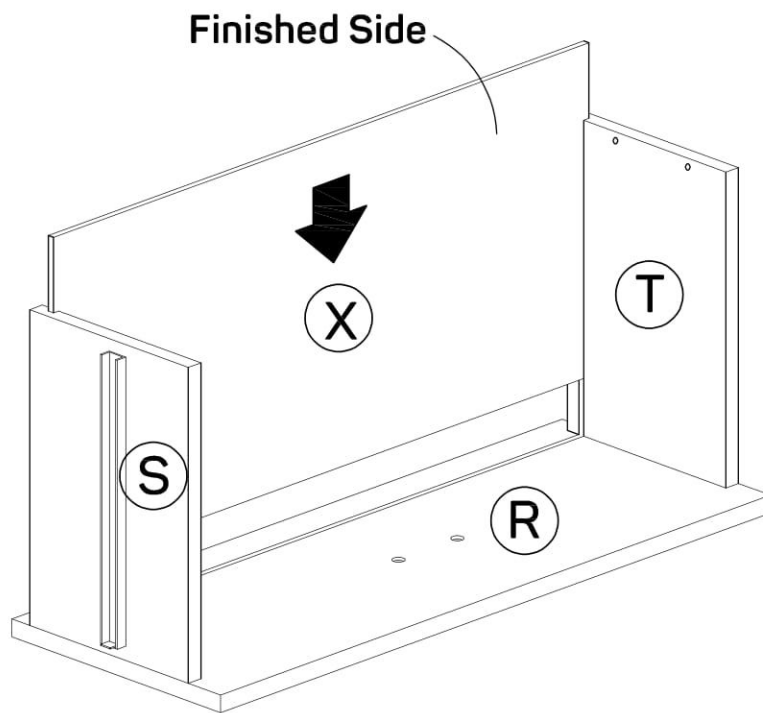
STEP 41

Insert the hooks of drawer side panels (T) and (S) into the drawer front center (R) holes at a 45° angle. While keeping slight downward pressure, adjust boards outwardly to full 90° angle.

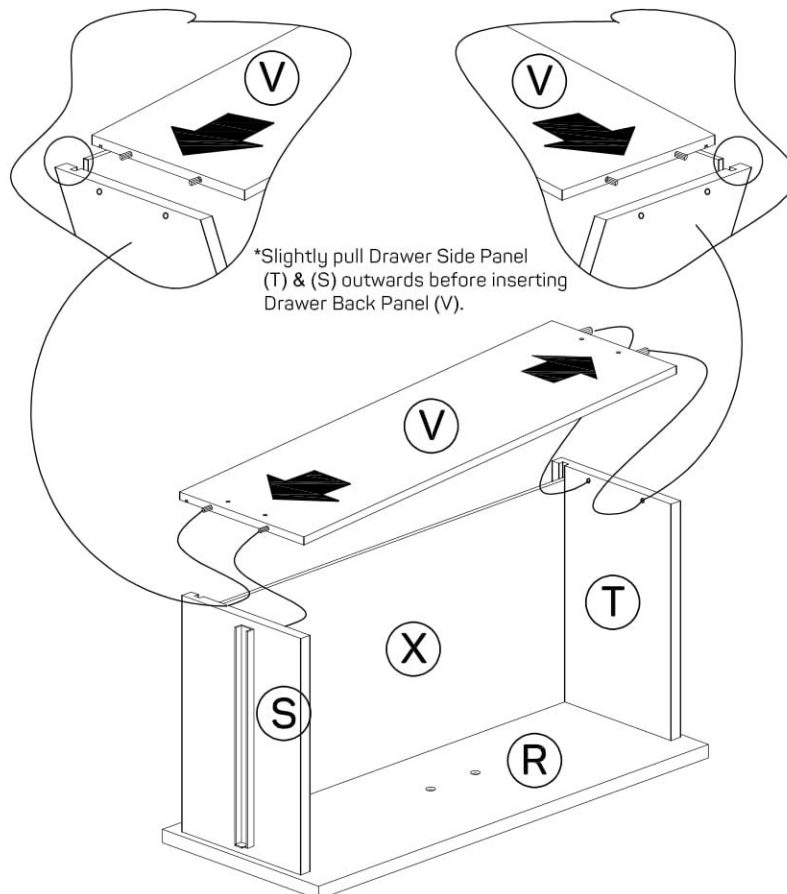
NOTE: The drawer sides will be slightly unstable until the drawer bottom is installed (step 42).



STEP 42

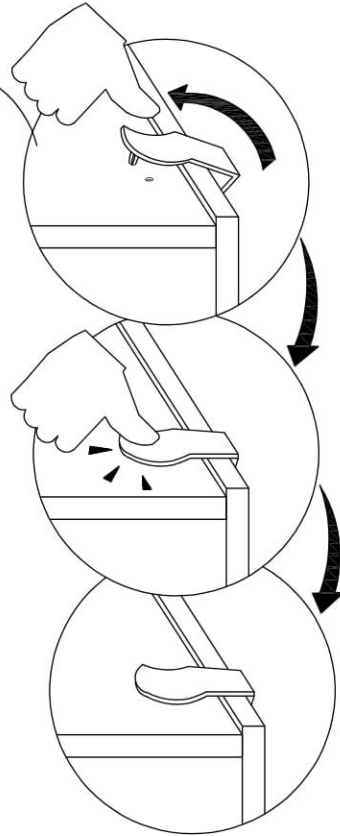
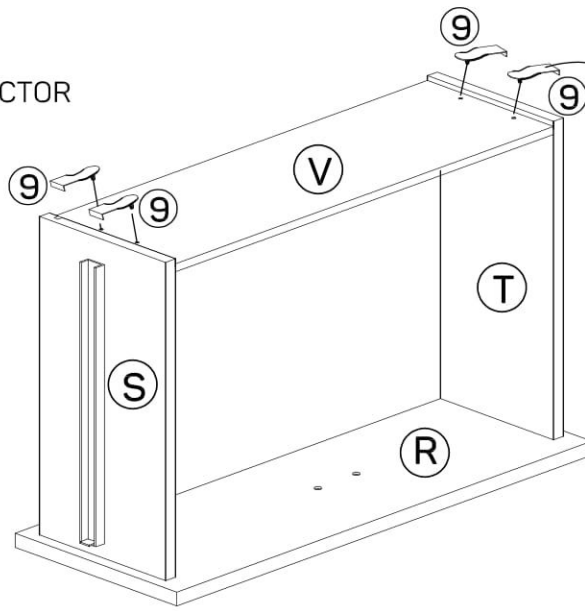


STEP 43



STEP 44

- ⑨ REAR CONNECTOR
4pcs

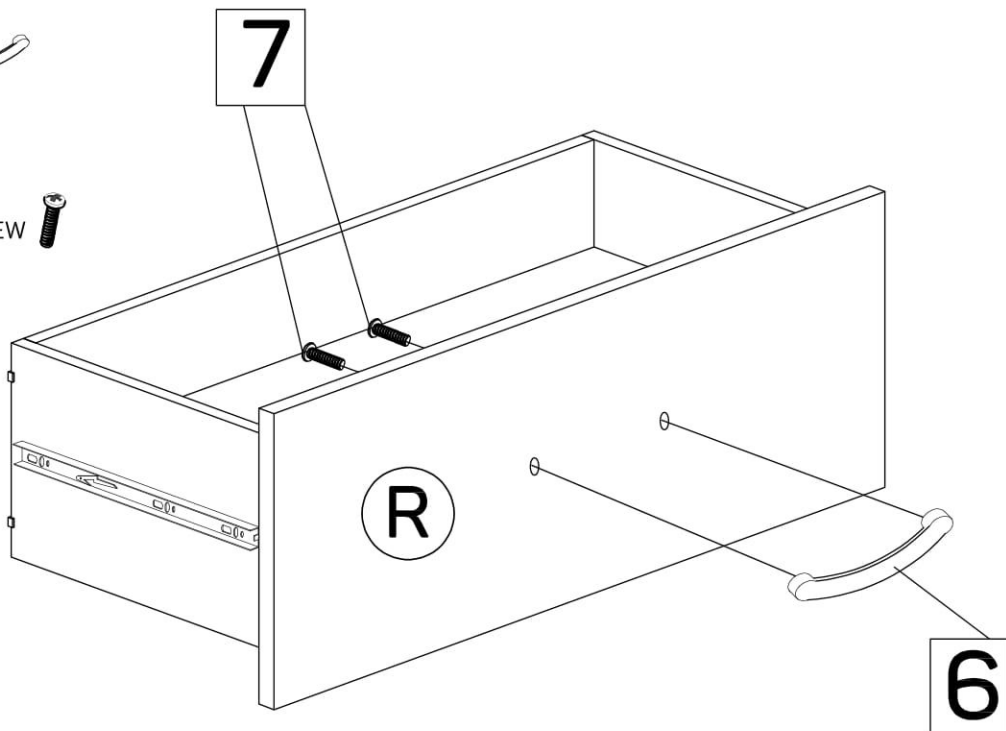


STEP 45

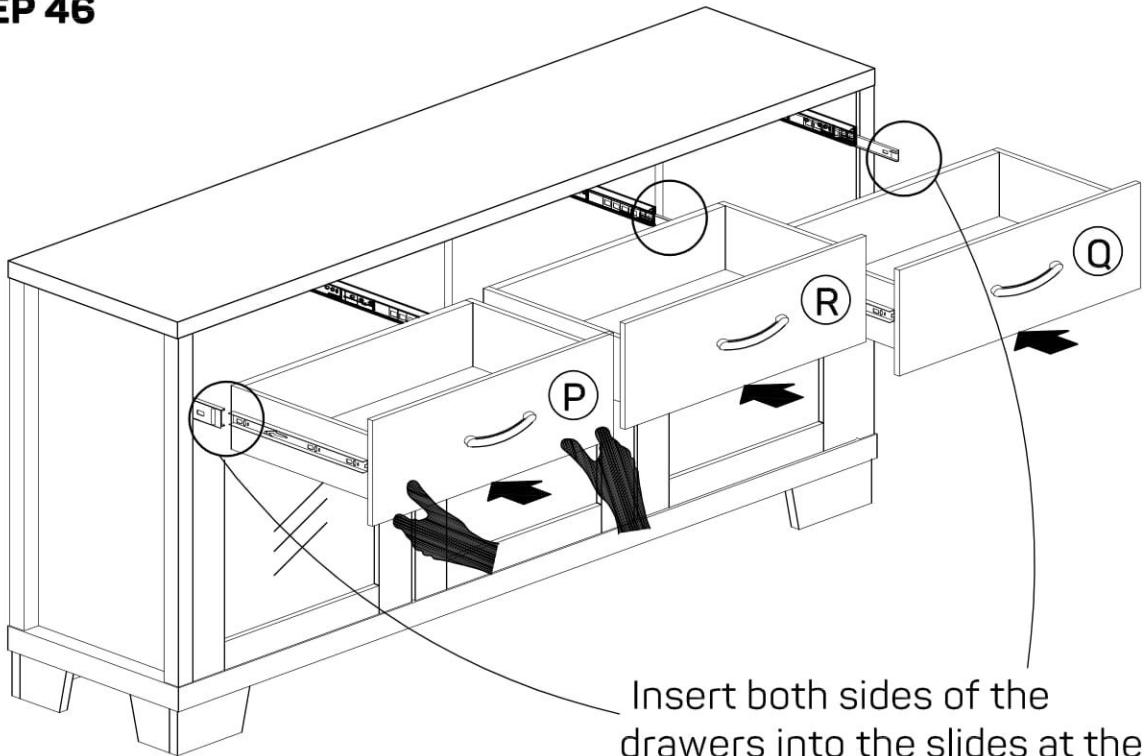
- ⑥ HANDLE
1pc



- ⑦ 0.16" x 0.79"
MACHINE SCREW
2pcs



STEP 46



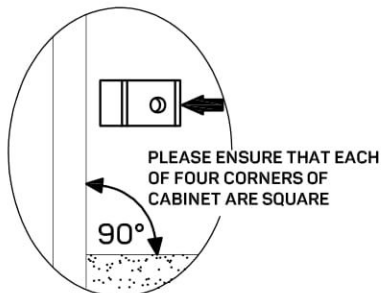
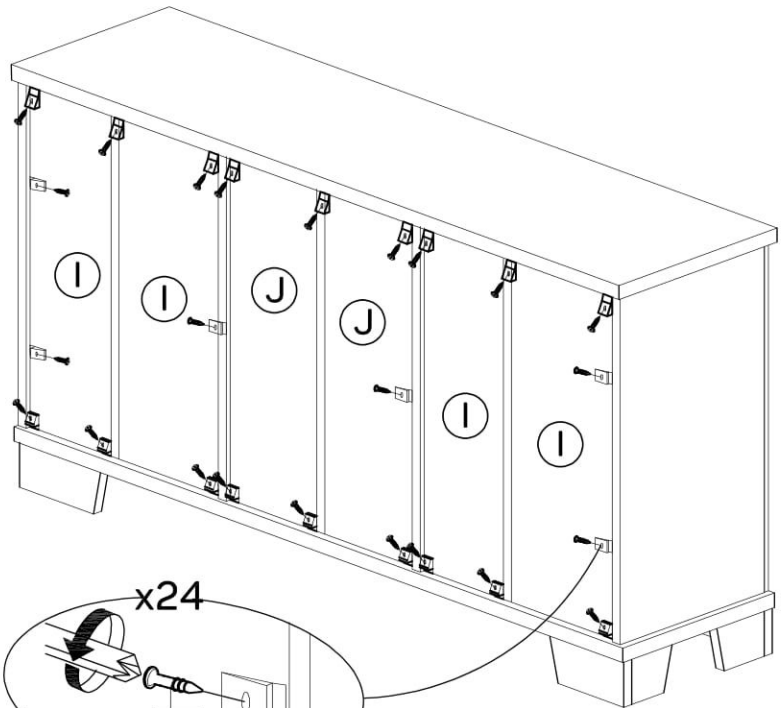
Insert both sides of the drawers into the slides at the same time

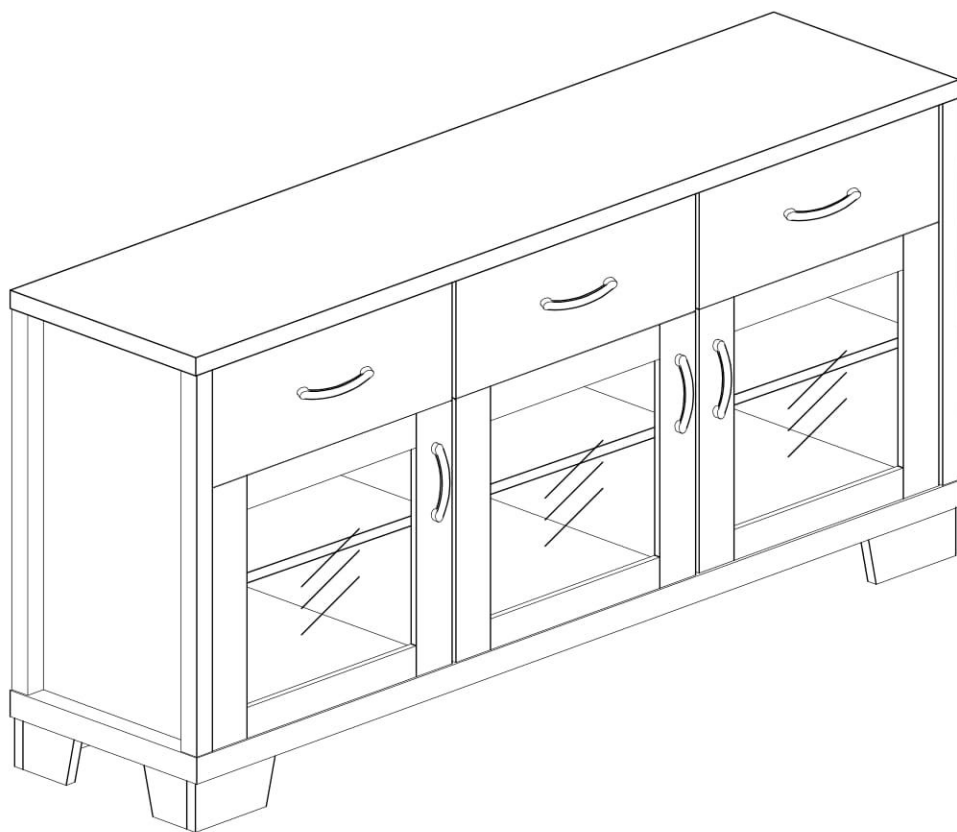
STEP 47

- 8 PLASTIC WEDGE
24pcs



- 13 0.12" x 0.79"
FLAT HEAD SCREW
24pcs





Quality and Safety Guidelines:

- Please follow the static and dynamic weight capacity limits provided on this item.
- Please use this item on a stable, level surface only. All legs, feet should contact the flooring surface when in use. Do not use this item if any instability is detected.
- Please install and use anti-tipping devices/wall anchor kits as instructed by the assembly instructions. Serious or fatal crushing injuries can occur from tipping furniture. The wall anchor kit is not a substitute for proper adult supervision. Use of the tip over restraints may only reduce, but not eliminate the risk of tip over.
- Never push, pull or drag this product.
- For maintenance instructions and replacement parts, please email us
- This item is intended as a sideboard. Do not climb, hang, stand or sit on this item. Do not place heavy objects on top of this product.
- The item is intended to be used indoors.
- Keep fingers and hands away from the hinge-line clearance and other door openings to prevent crushing and pinching.
- Please inspect this product regularly to make sure there are no damaged or worn parts. Also inspect to make sure all hardware is tightened correctly and securely.
- If any parts are damaged or worn, please stop using the product. Repair this product with manufacturer supplied parts only.
- For product longevity, product safety and product integrity, protect from wet and humid weather or other wet, humid or moist conditions and store indoors in a dry location.