

# User's Manual





# BEFORE INSTALLATION

This product has been inspected and debugged by the factory to the best condition. Please do not disassemble and assemble it yourself.



Before installing the product, please be sure to remove sundries and sludge from the water pipe to prevent sundries from blocking the product.



A. Make sure you have all necessary parts by checking the diagram and parts list.

B. Turn off the hot and cold water supply at the angle stops and turn on the old faucet to release any built up pressure. Remove existing faucet. Clean sink or countertop in preparation for new faucet.

C. Shut off angle stops.

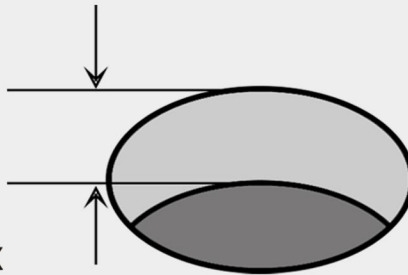
D. Pre-drilled hole size requirement: 1-3/8"(min)-1-1/2"(max)

Max countertop thickness without deck plate: 1-1/2"(1 hole install)

Max countertop thickness with deck plate: 1"(1, 2 or 3 hole install)

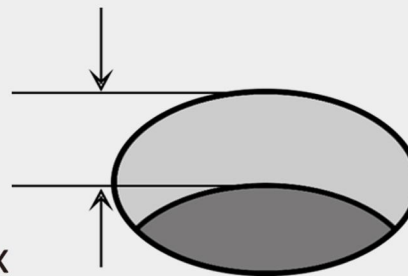
1/16" (1 mm) min  
1-1/2" (38 mm) max

φ 1-3/8" (35mm) min  
φ 1-1/2" (38 mm) max



1/16" (1 mm) min  
1" (25.4 mm) max

φ 1-3/8" (35mm) min  
φ 1-1/2" (38 mm) max



## Tools you will need:



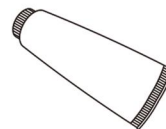
Adjustable Wrench



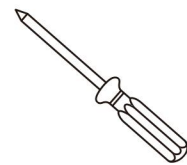
Safety Goggles



Bucket



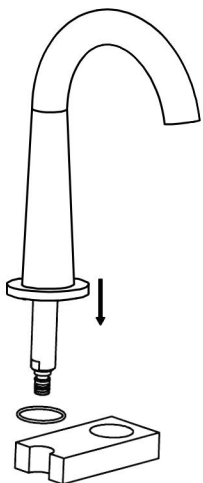
Silicone Sealant



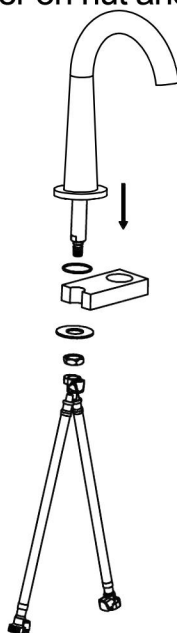
Phillips Screwdriver

# INSTALLATION STEPS

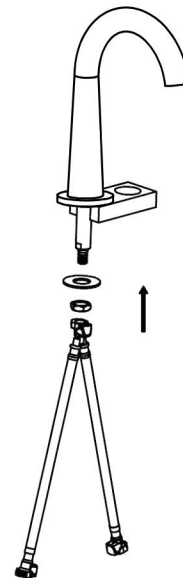
1. Slide the washer(O-ring) to faucet base. Insert the new faucet through sink.



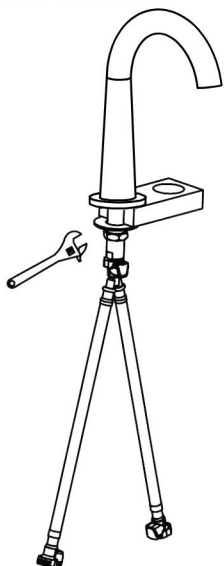
2. Prepare to install the underneath receiver. Install washer on nut and tee joint.



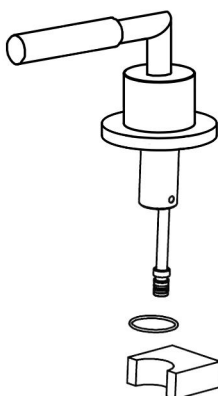
3. Insert rubber washer, then insert trident joint. Tighten trident and align with valve.



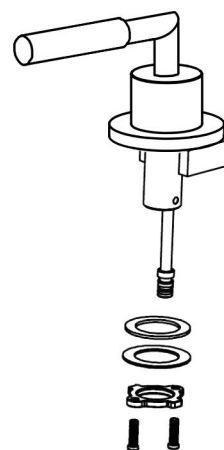
4. Tighten coupling nut and insert trident.



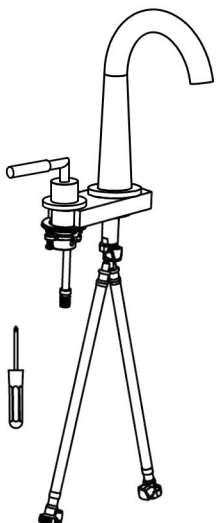
5. Insert hot and cold water handles through the hole.



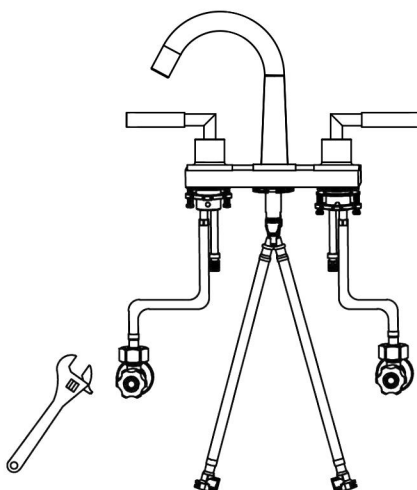
6. Put on fitting accessories in correct order.



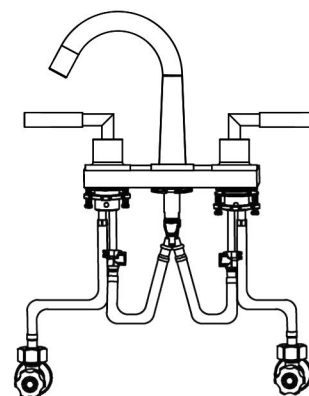
7. Tighten the handles.



8. Connect and tighten the hoses with hot and cold water supplies. Turn on Water supplies, turn the handle, flush the hot and cold water for 1 minute.



9. Connect and tighten the hoses.

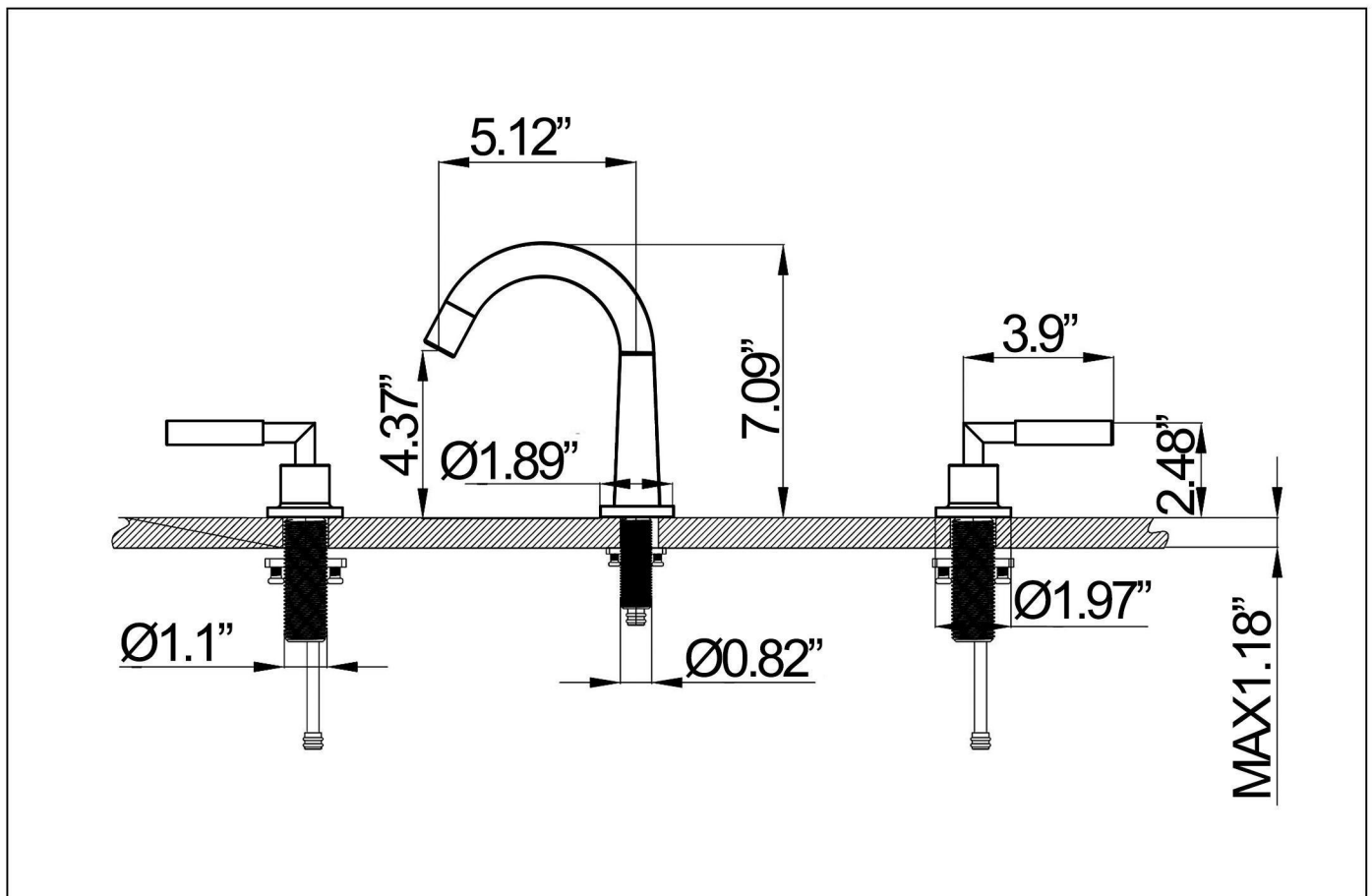


# INSTALLATION STEPS

Inspection installation results:

1. Check to make sure that all of the connection has been tightened. Make sure the handle in the closed position.
2. Open the drainage system and the main Water supply, check and repair the the leaking interface.

INSTALLATION DIMENSION



## CLEANING CARE

In order to keep the appearance of product clean, bright and good performance, please take care of the product as follows;

1. Rinse with water only and dry with soft cotton cloth;
2. Use mild liquid and colorless glass cleaner to remove surface dirt and scale film, or use polish without abrasive effect;
3. Do not use abrasive detergent, polish, emery cloth, paper towel or scraper, etc;
4. Do not use acid cleaner, or cleaner and soap with insoluble gran etc;
5. In the process of use, mud may accumulate in the bubbler and make the water flow show, The bubbler can be unscrewed, rinsed with water, and then installed back in place.



