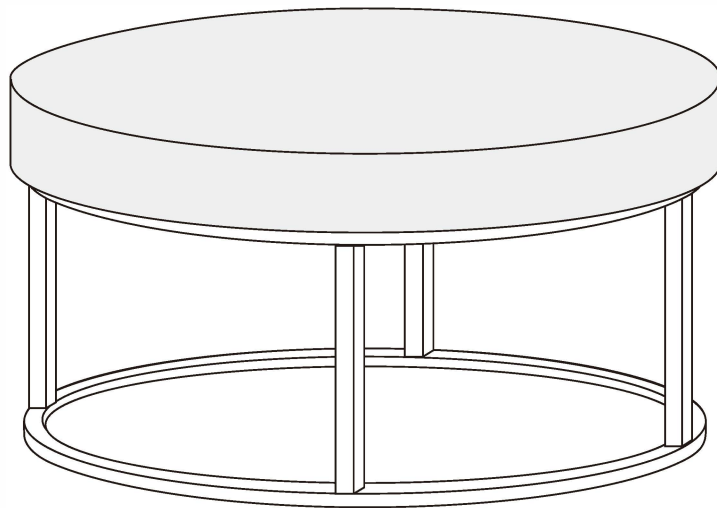


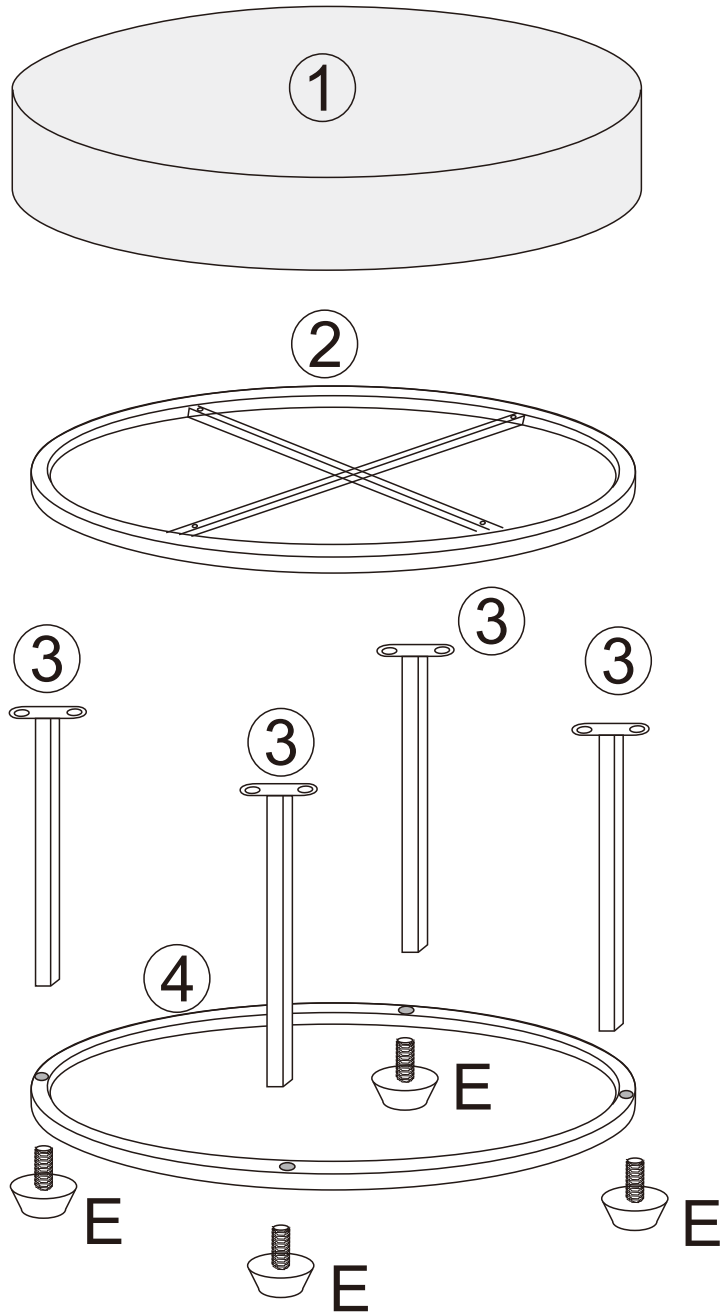
Assembly Instruction







ASSEMBLY TIPS:

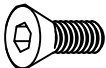
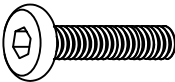

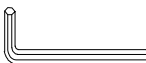

1. Remove hardware from box and sort by size.
2. Please check to see that all hardware and parts are present prior to start of assembly.
3. Please follow attached instructions in the same sequence as numbered to assure fast & easy assembly.

Parts List






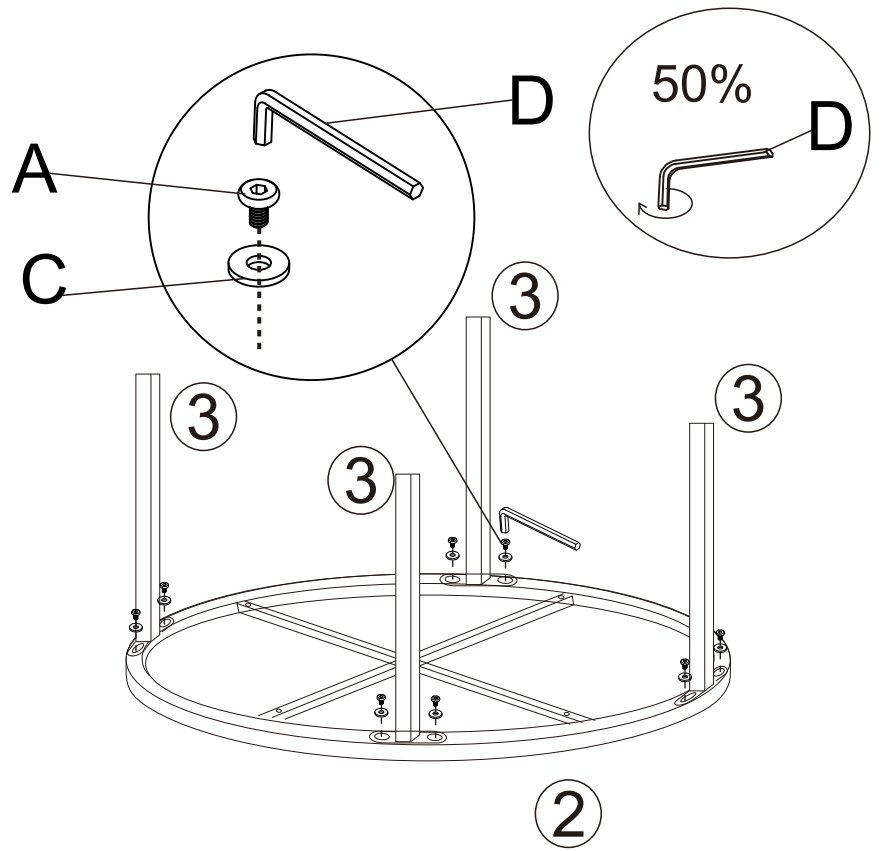
Parts List

Number	Name	Part	Qty
1	Cushion		x1PC
2	Upper shelf		x1PC
3	Leg		x4PCS
4	Footrest		x1PC




Number	Hardware	Part	Qty
A	M6x16mm		8+1PCS
B	M6x35mm		8+1PCS
C	M6x16mm		16+1PCS
D	M5		x1PC
E	Adjustable feet		4+1PCS

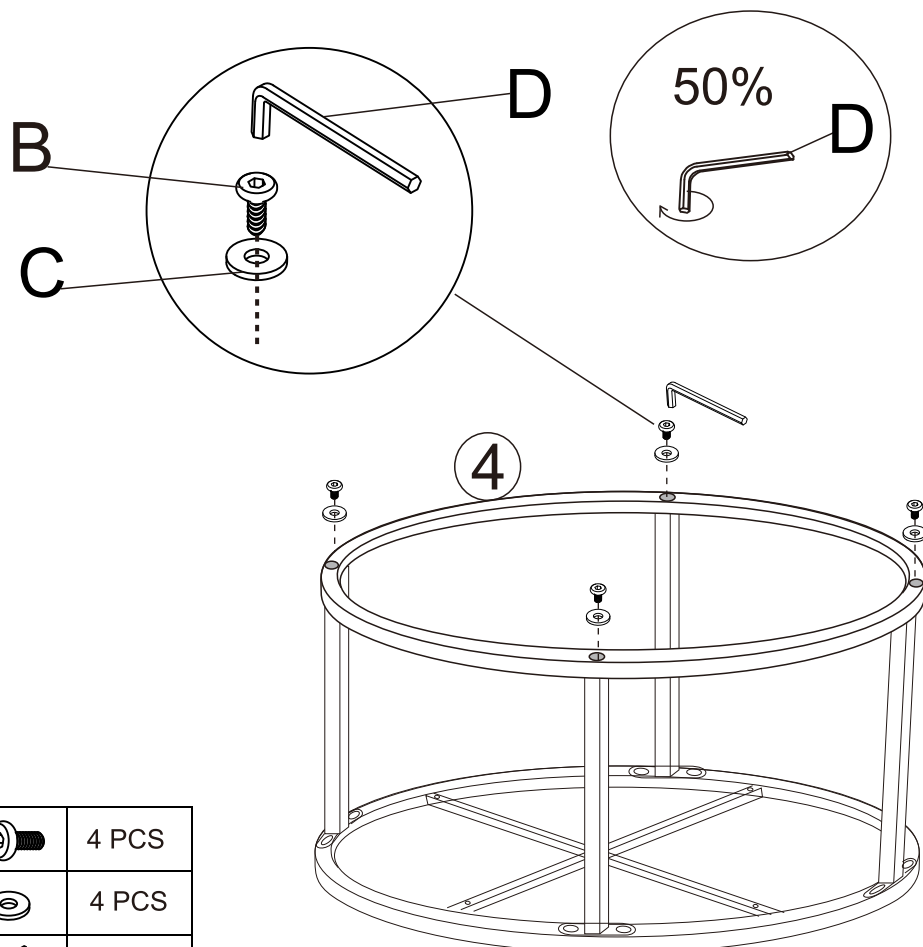
1

A	M6x16 mm		8PCS
C	M6x16 mm		8PCS
D	M5		1PC

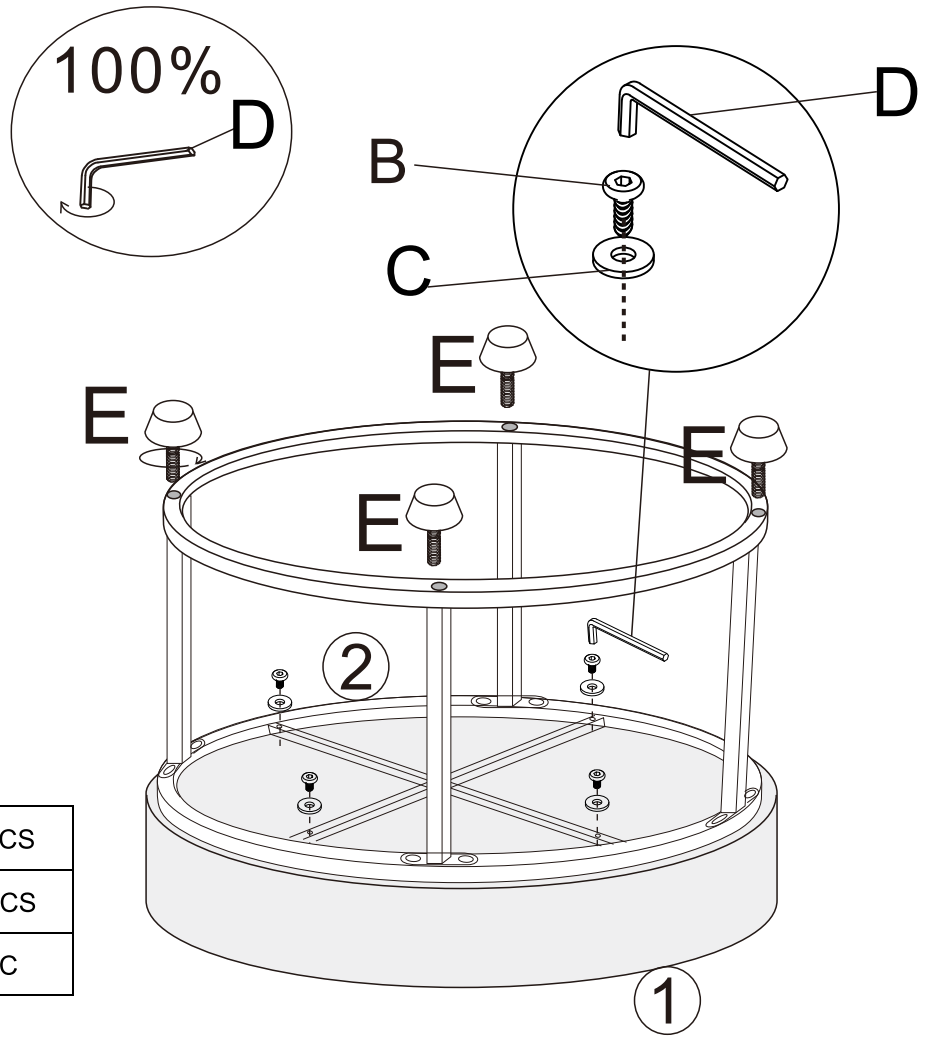





2

B	M6x35 mm		4 PCS
C	M6x16 mm		4 PCS
D	M5		1PC



3



B	M6x35mm		4PCS
C	M6x16mm		4PCS
D	M5		1PC

4

