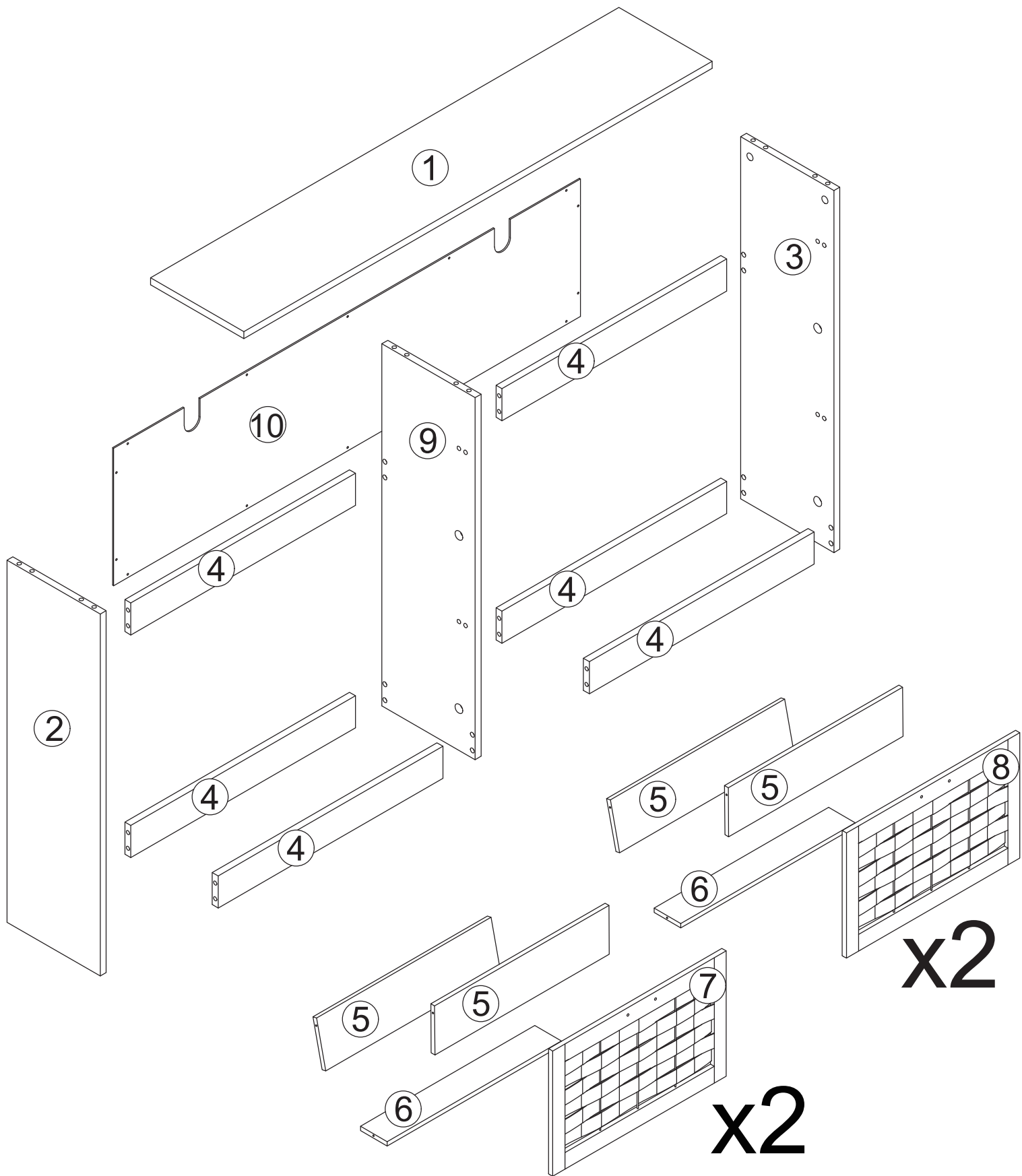
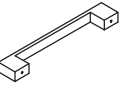






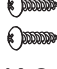


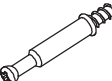






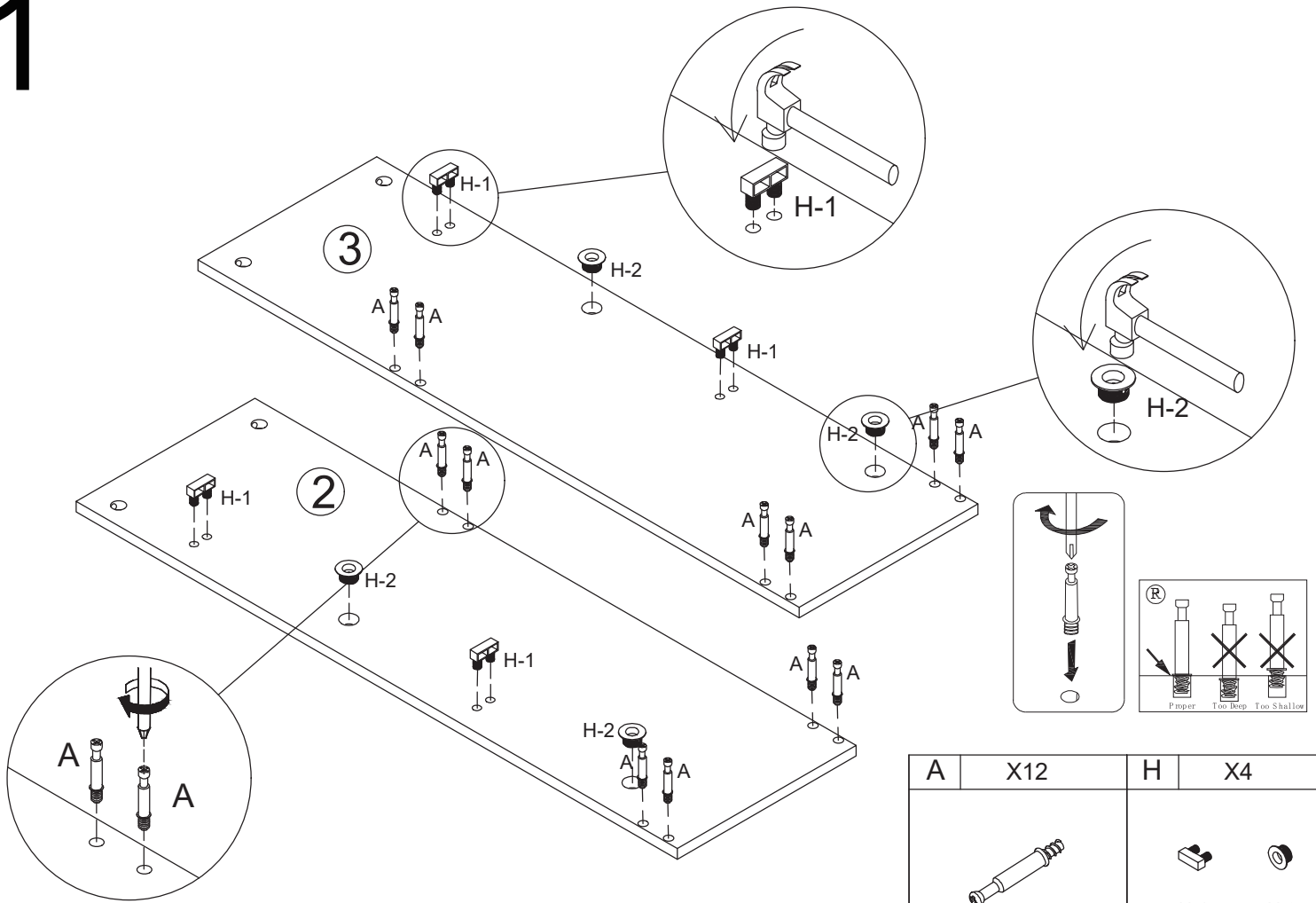


# Assembly Instruction

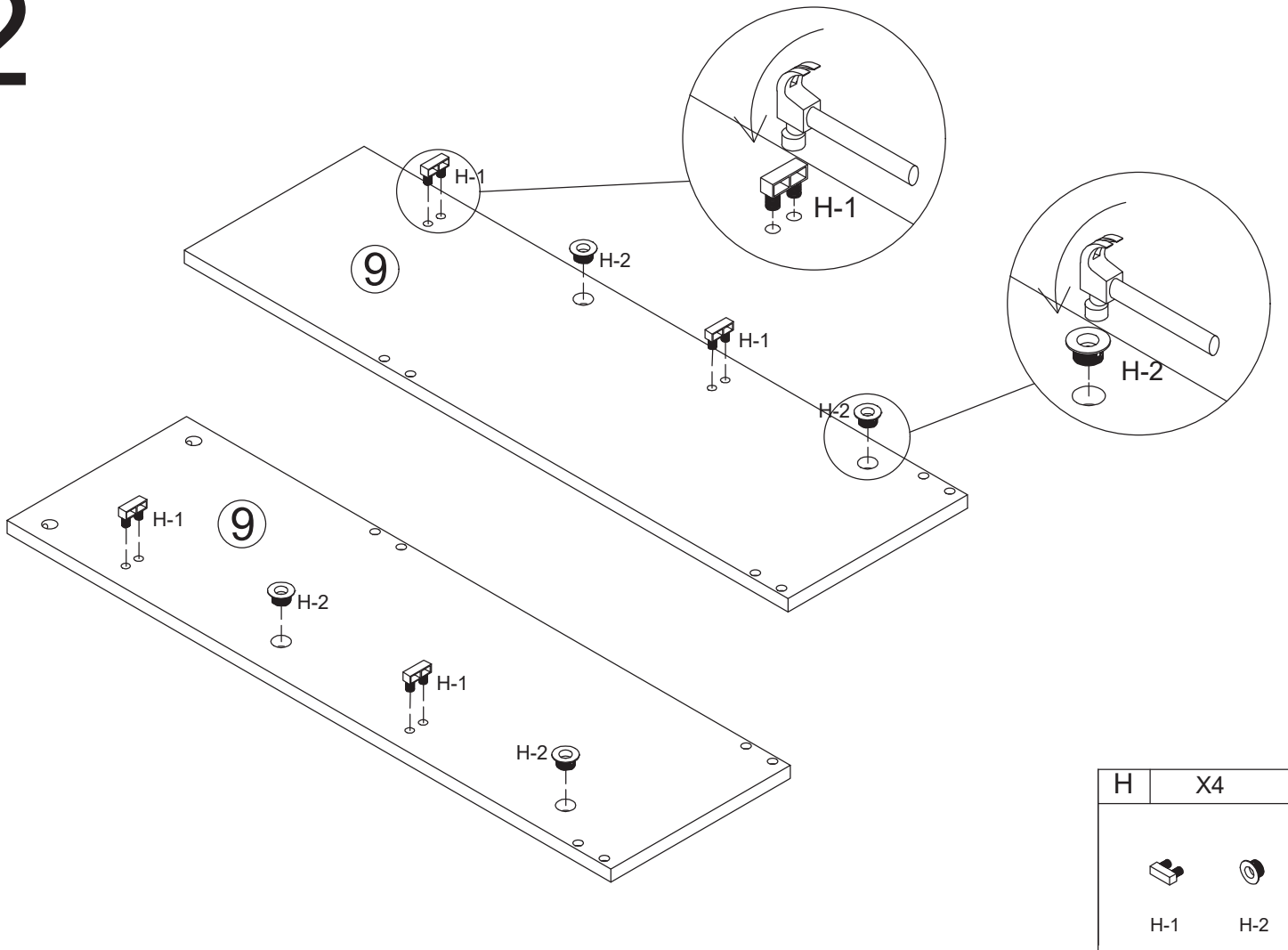


G	X4	H	X8	J	X14	K	X2	L	X4	R	X4
 G-1 Ø4x20mm	 G-2	 H-1	 H-2	 H-3	 Ø2.5x12mm	 K-1 Ø4x12mm	 K-2				
A	X30	B	X30	C	X6	D	X2	E	X48	F	X8
 Ø6x35mm	 Ø15x10mm	 Ø6x30mm	 D-1	 D-2	 Ø3.5x14mm	 Ø4x10mm					

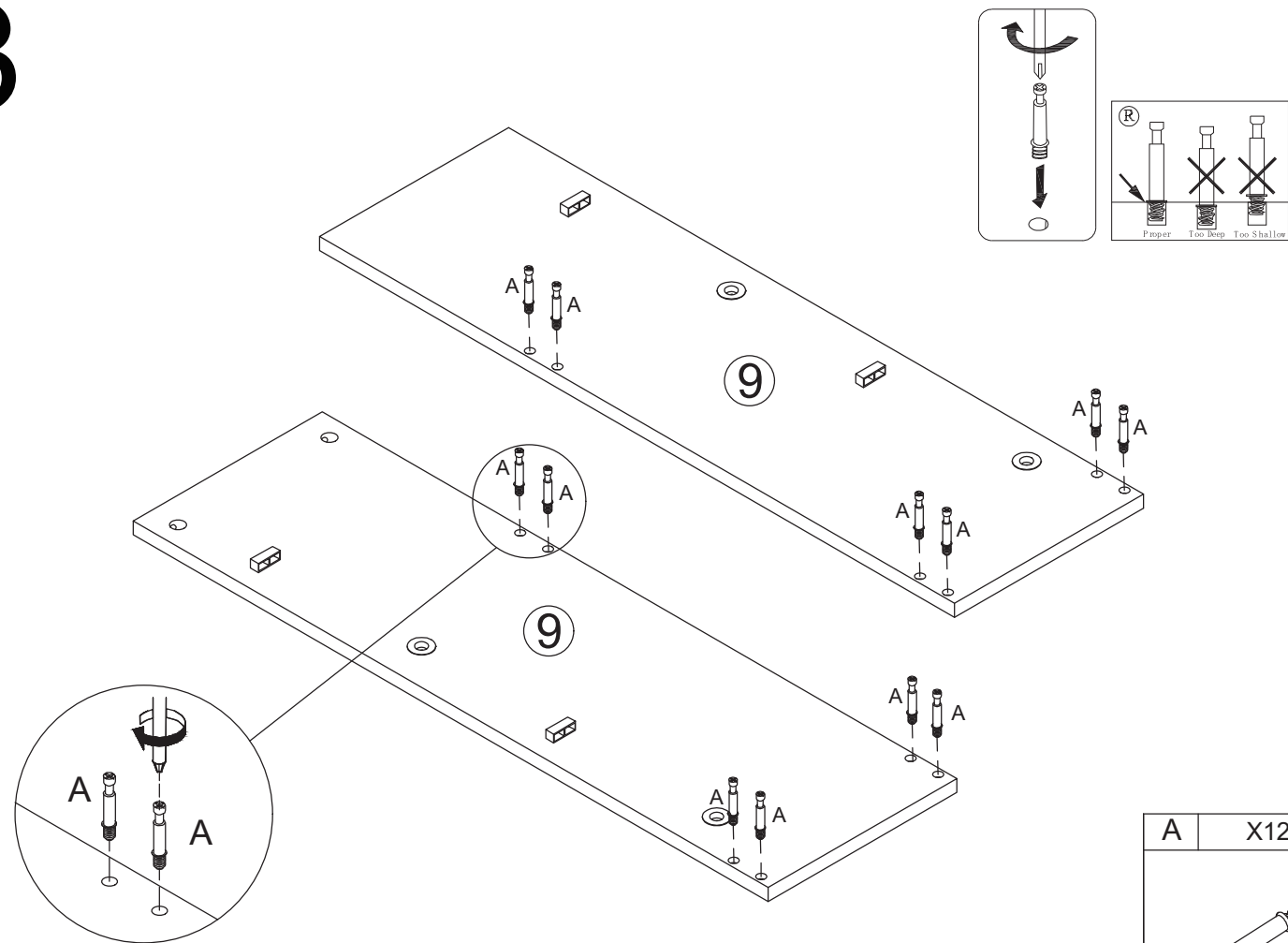
# 1



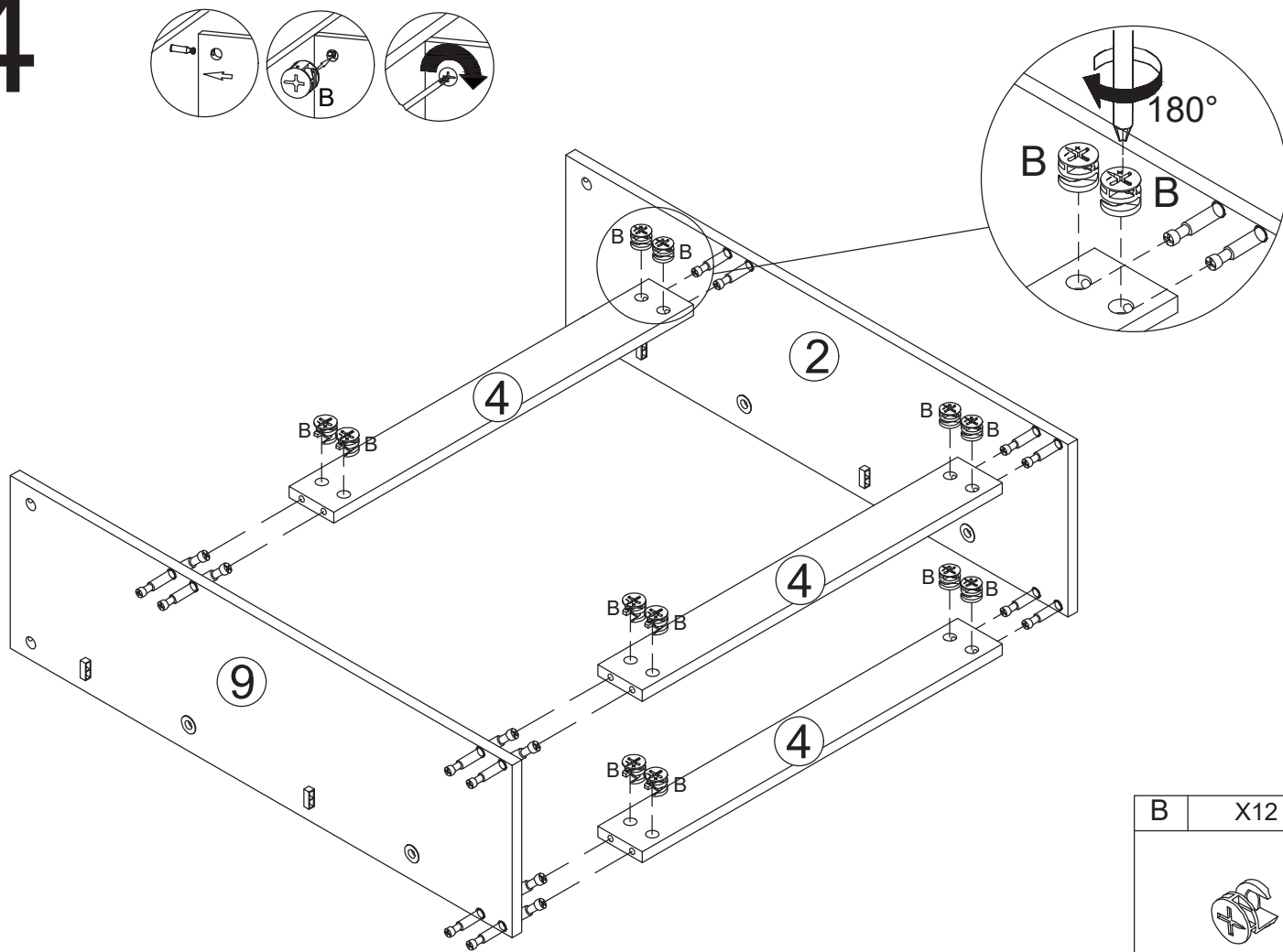
# 2



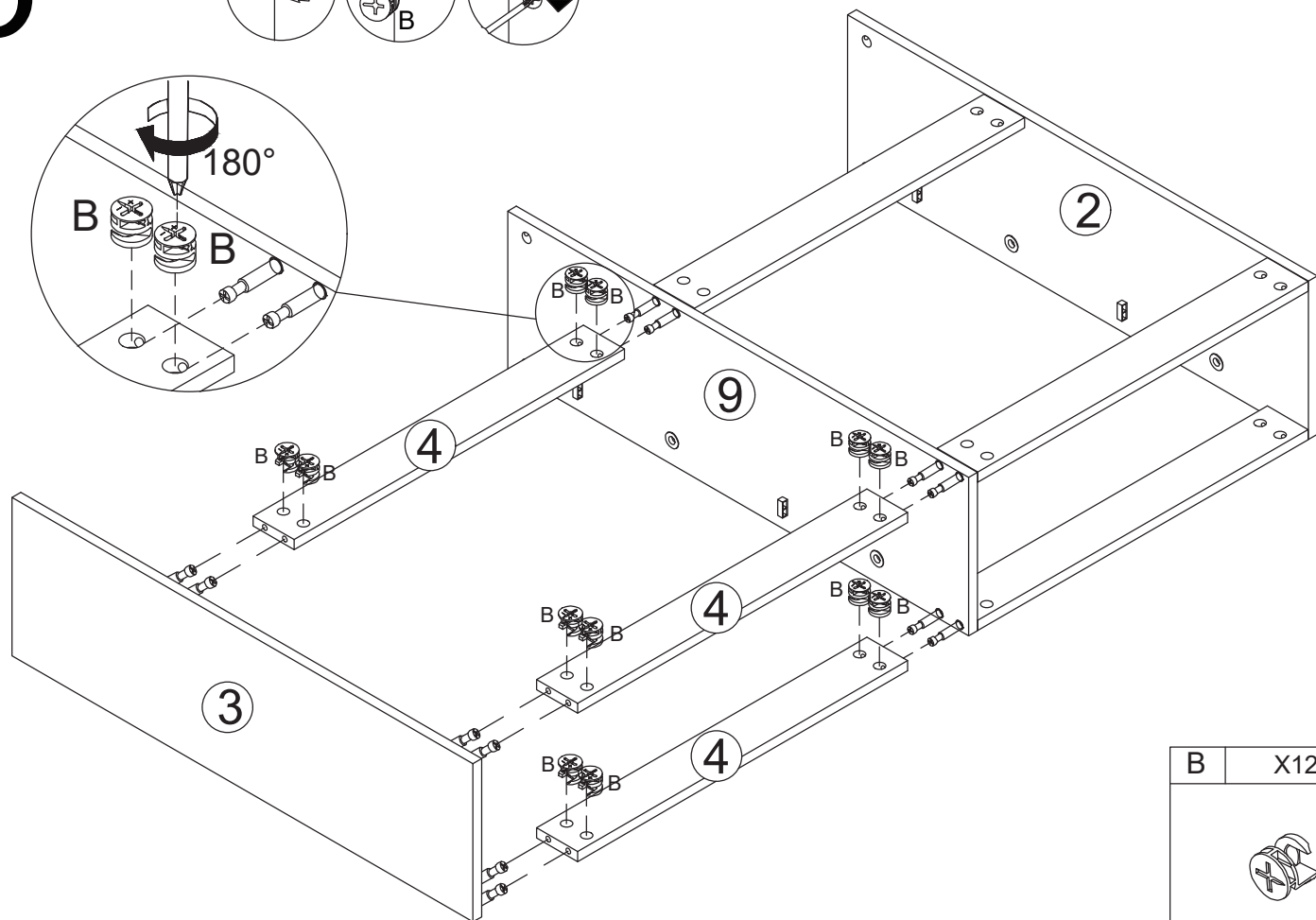
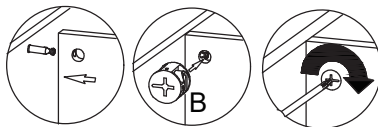
# 3




# 4

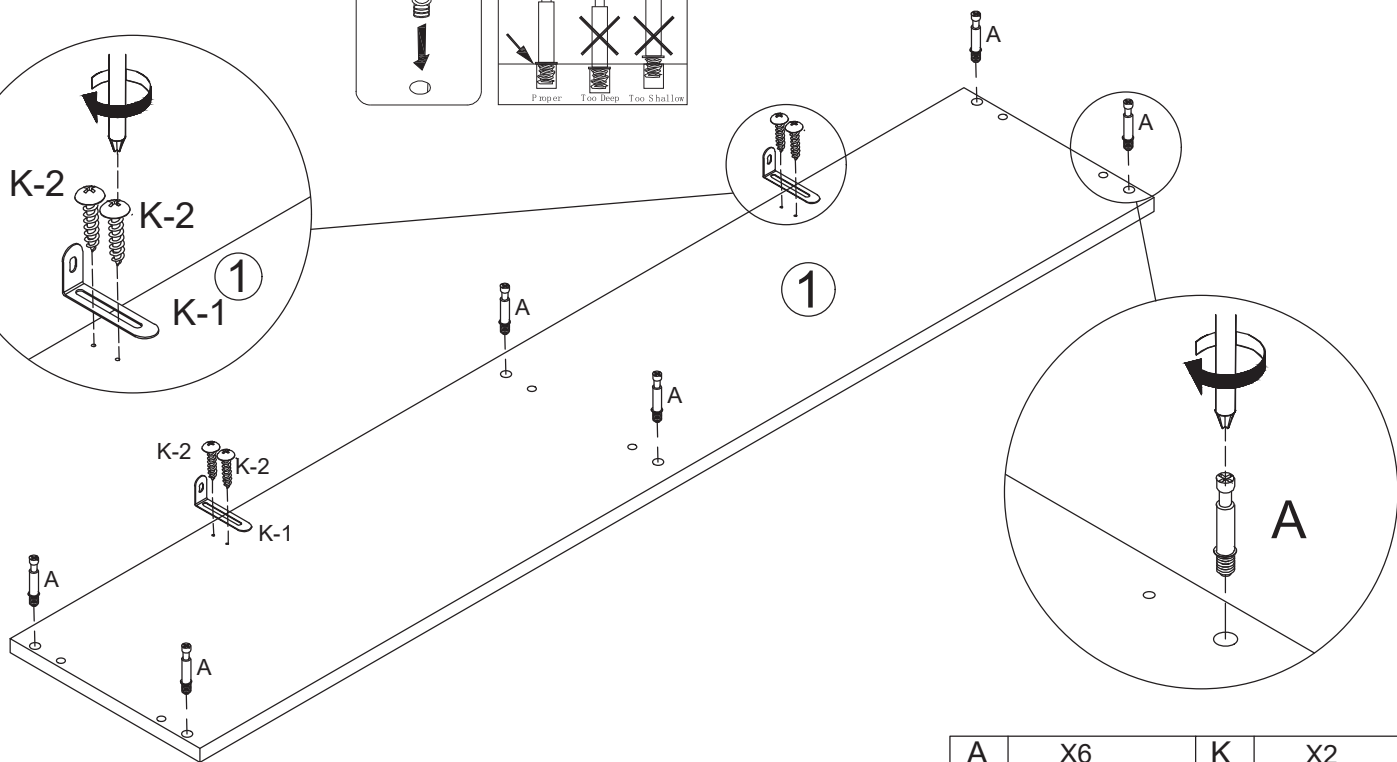
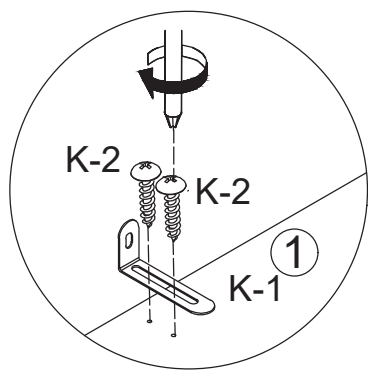
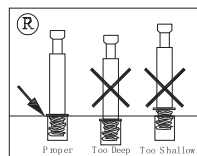
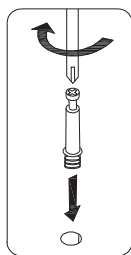


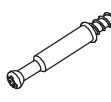


# 5



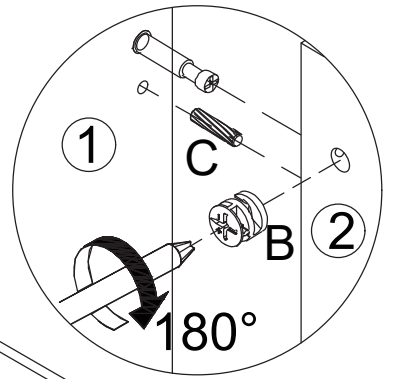
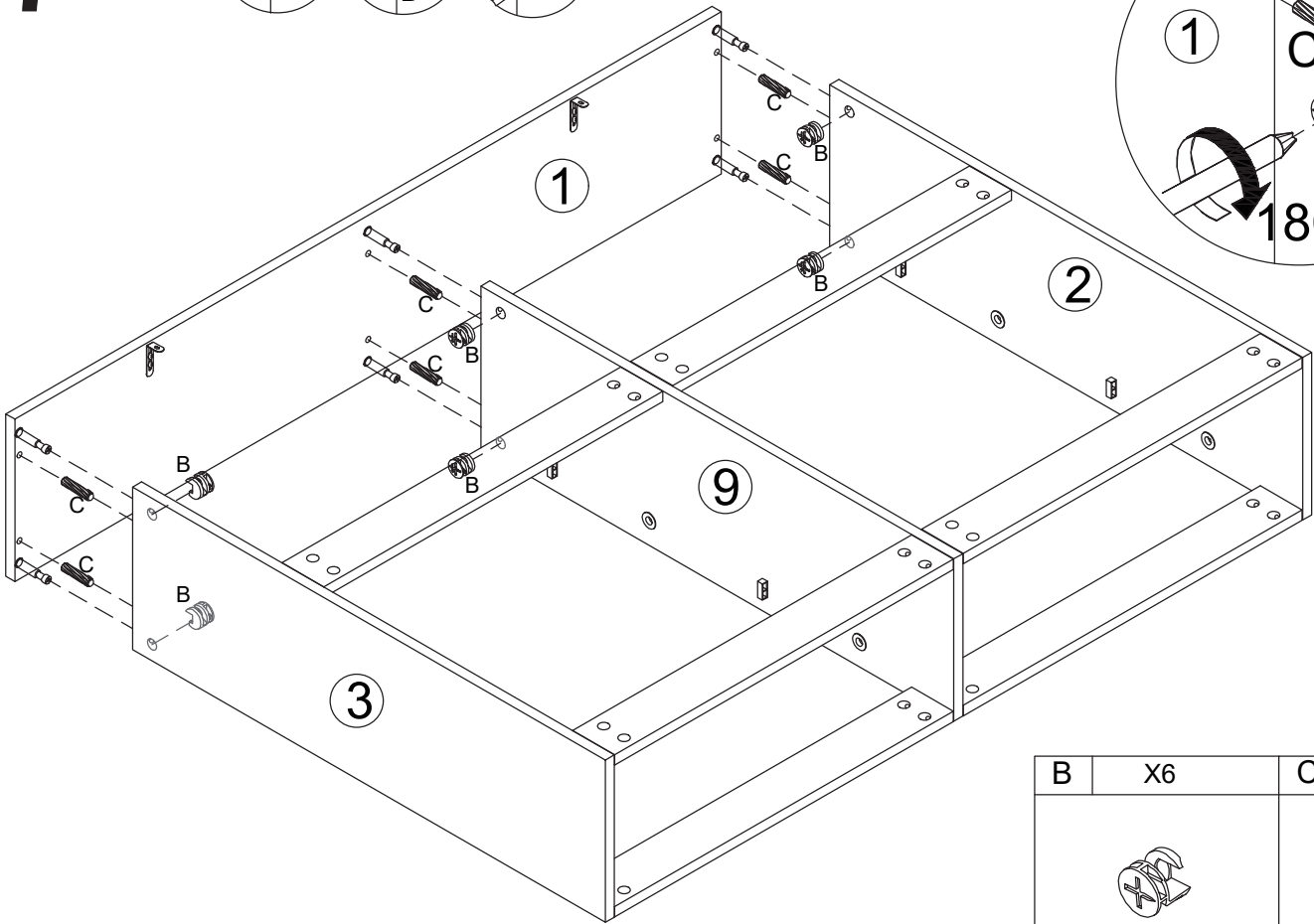
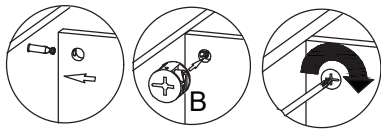
B	X12
	



# 6



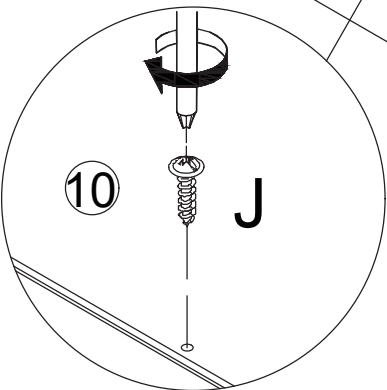
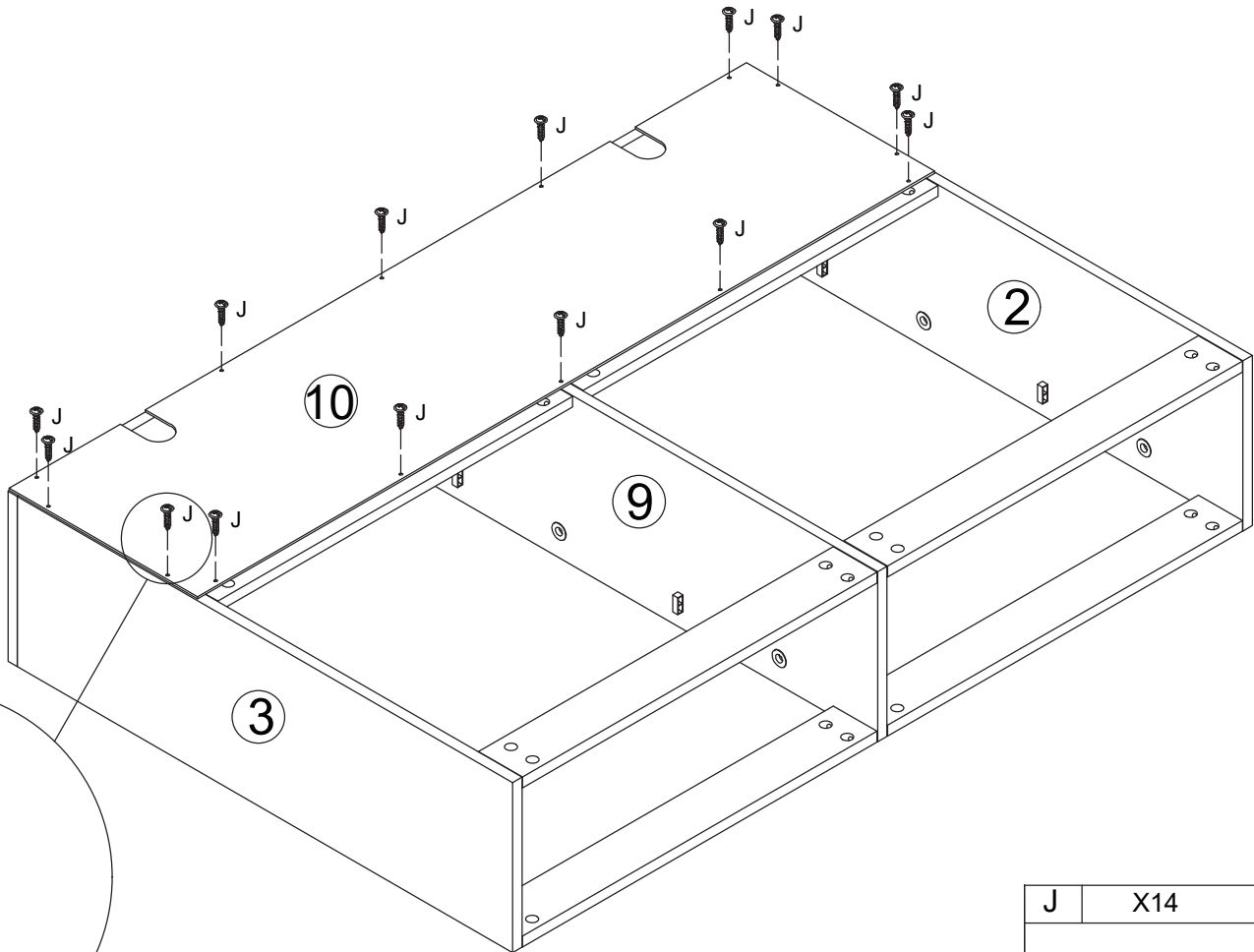
A	X6	K	X2
		 	
		K-1	K-2


# 7



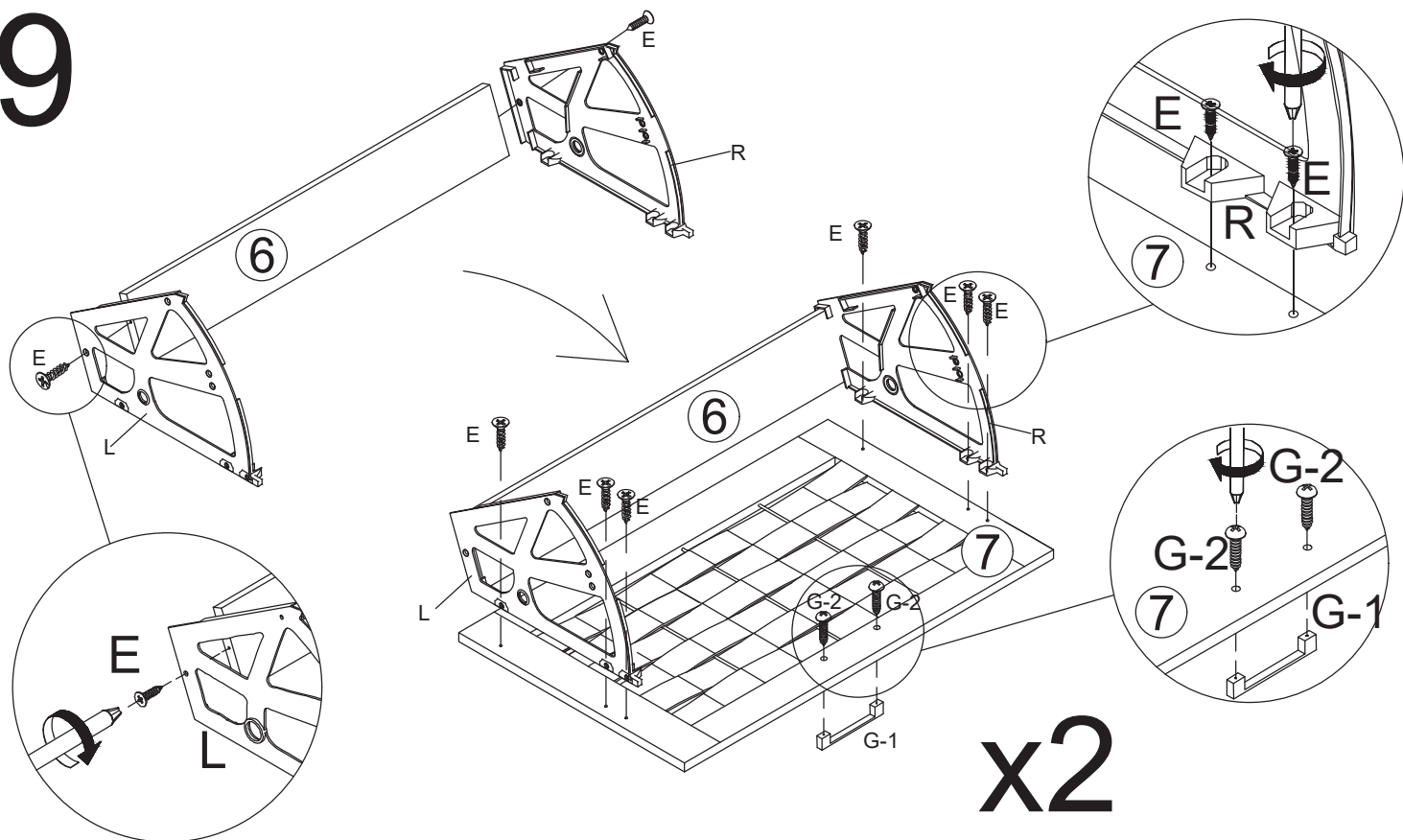
B	X6	C	X6
			


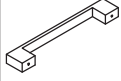



# 8



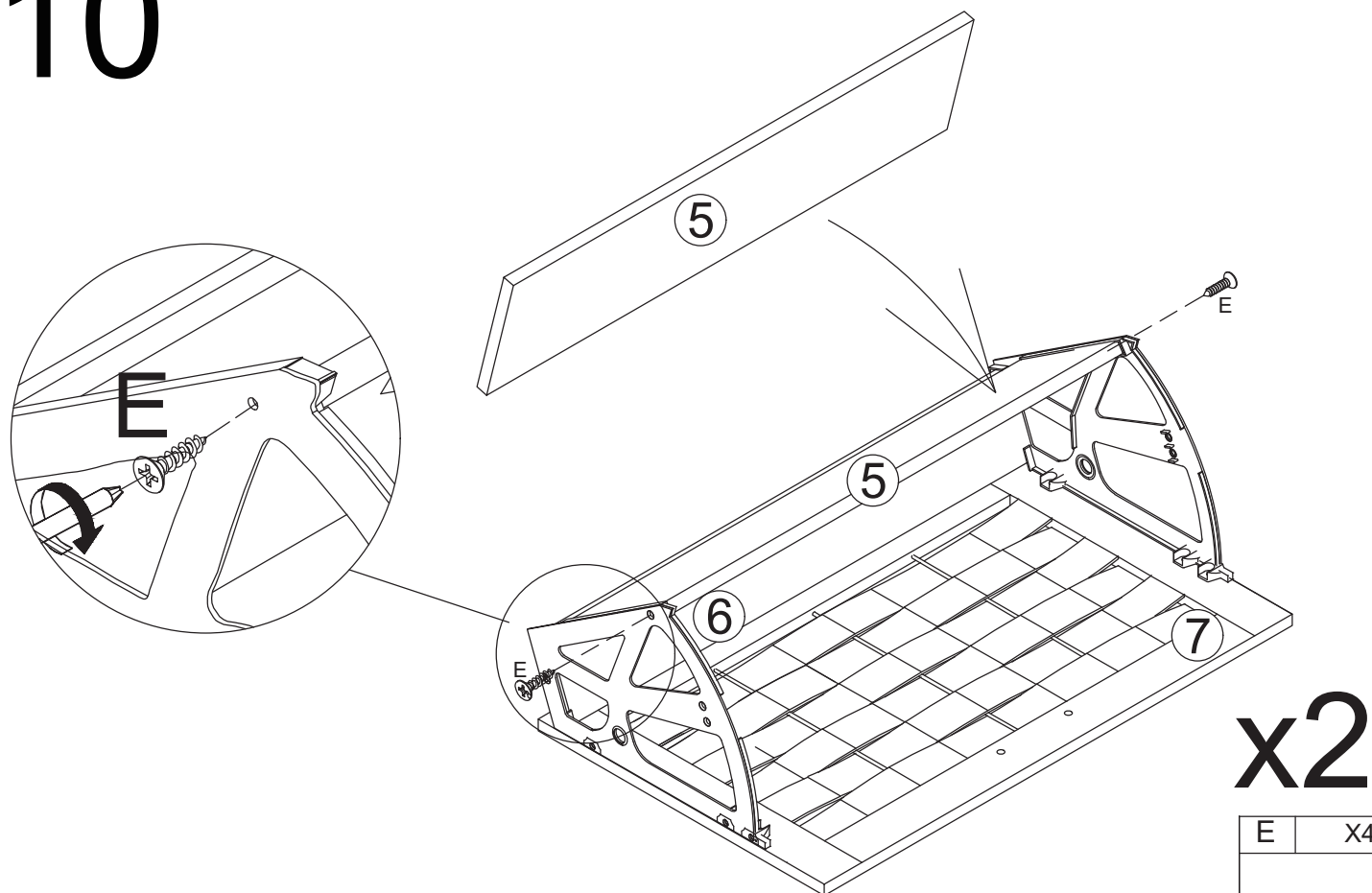
J	X14
	

# 9




E	X16	G	X2	L	X2	R	X2
		 G-1	 G-2				

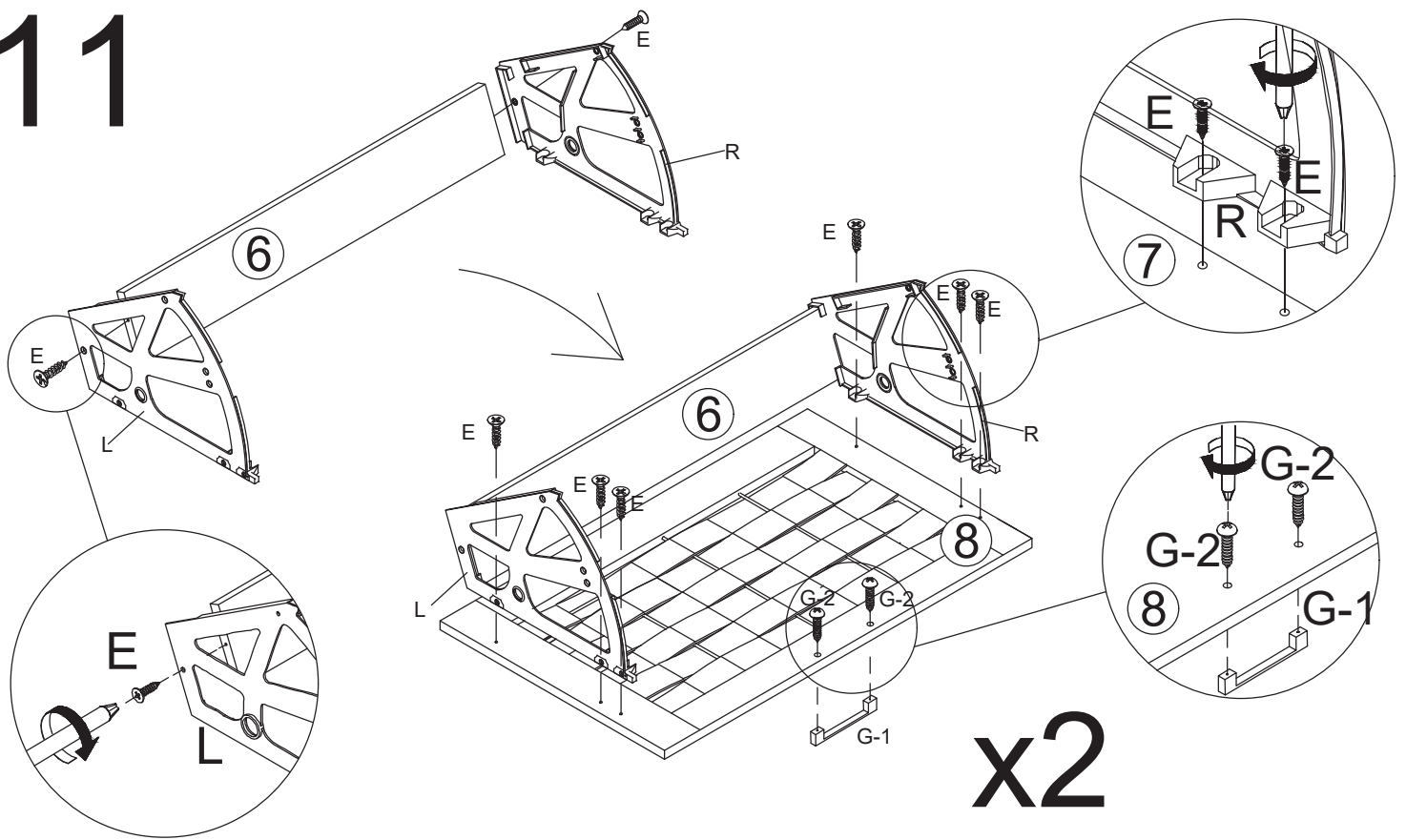
# 10



# x2

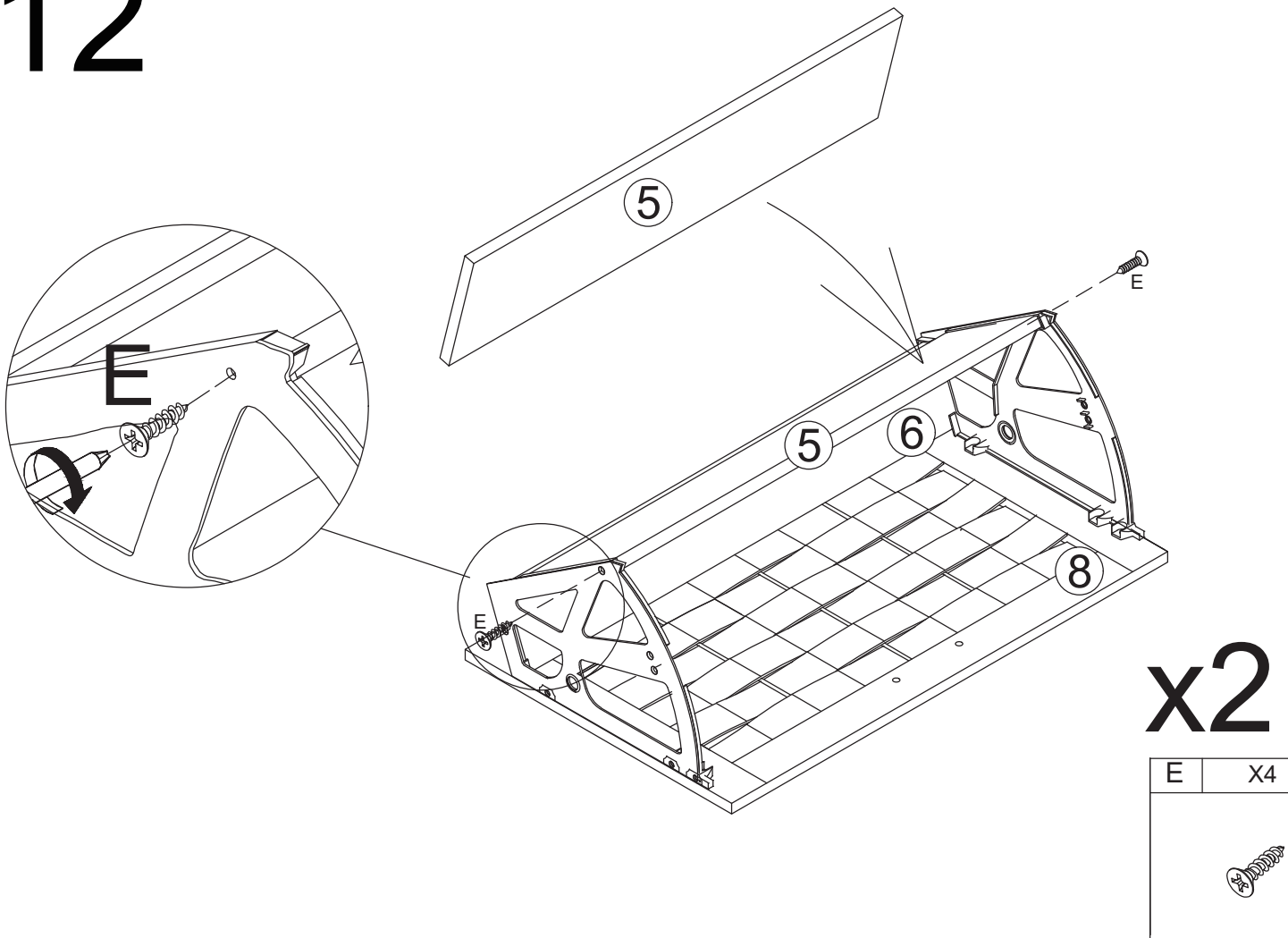
E	X4
	

# 11



E	X16	G	X2	L	X2	R	X2
		G-1	G-2				

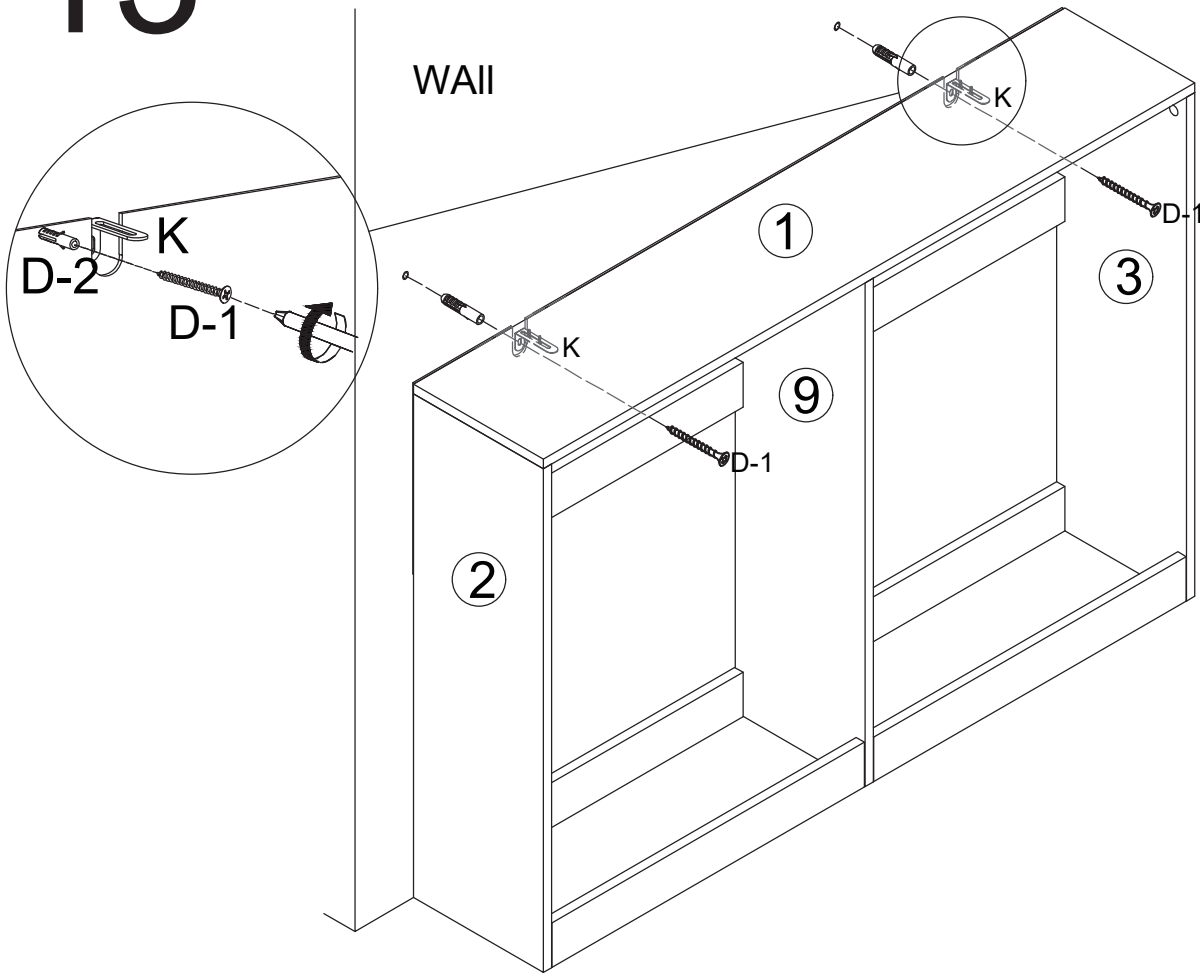
# 12



# x2

E	X4

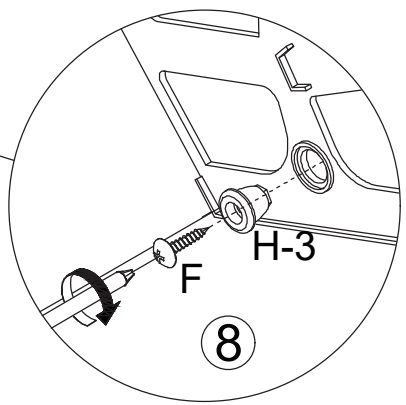
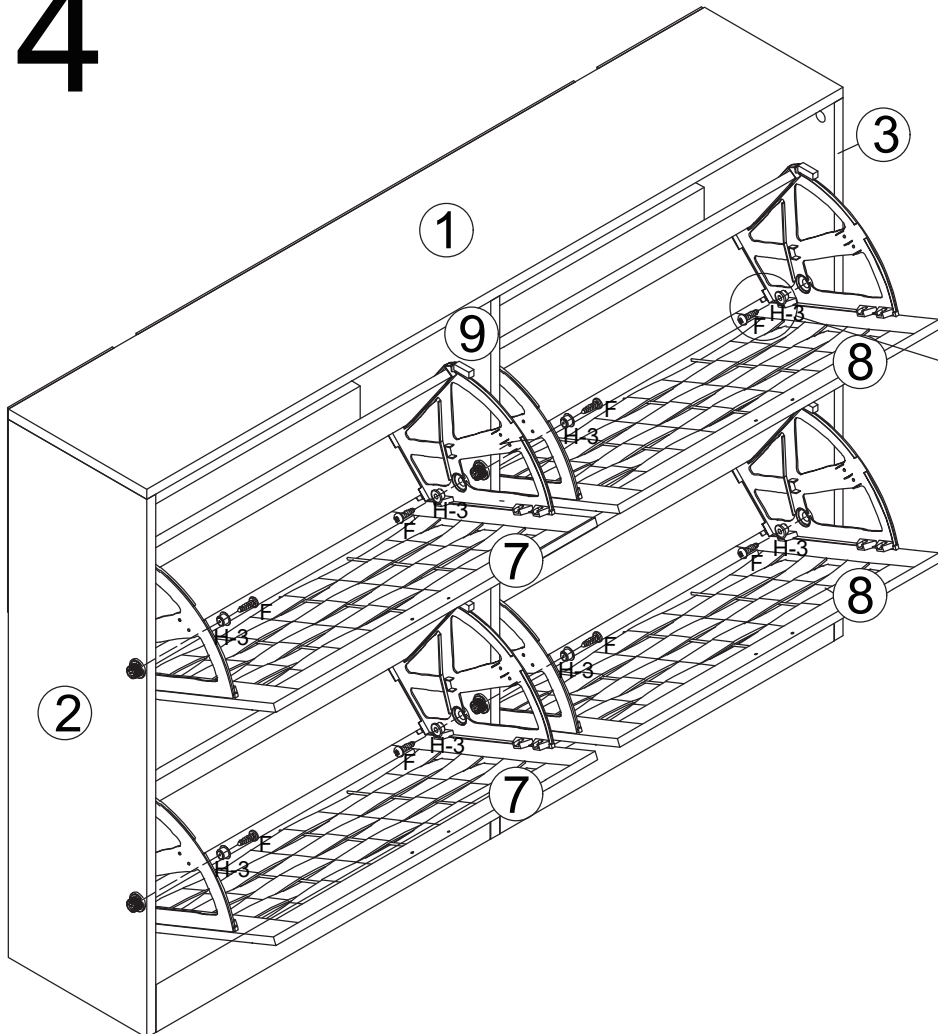
# 13



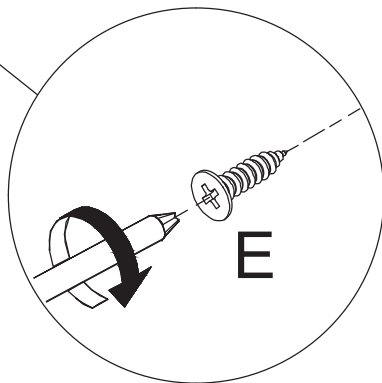
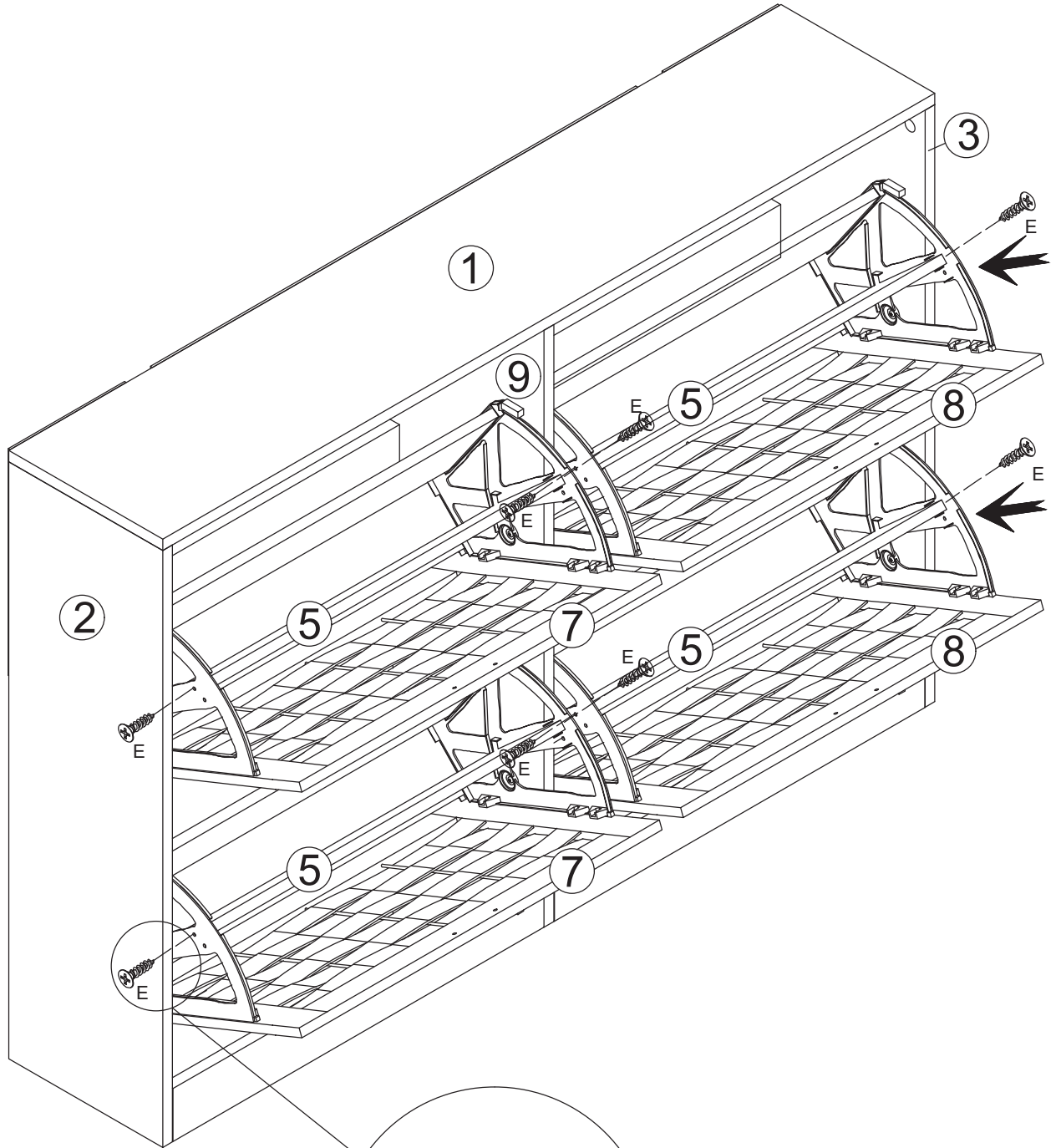
- 1.
- 2.
- 3.
- 4.

D	X2
D-1	D-2

# 14



F	X8	H	X8
		H-3	



E	X8