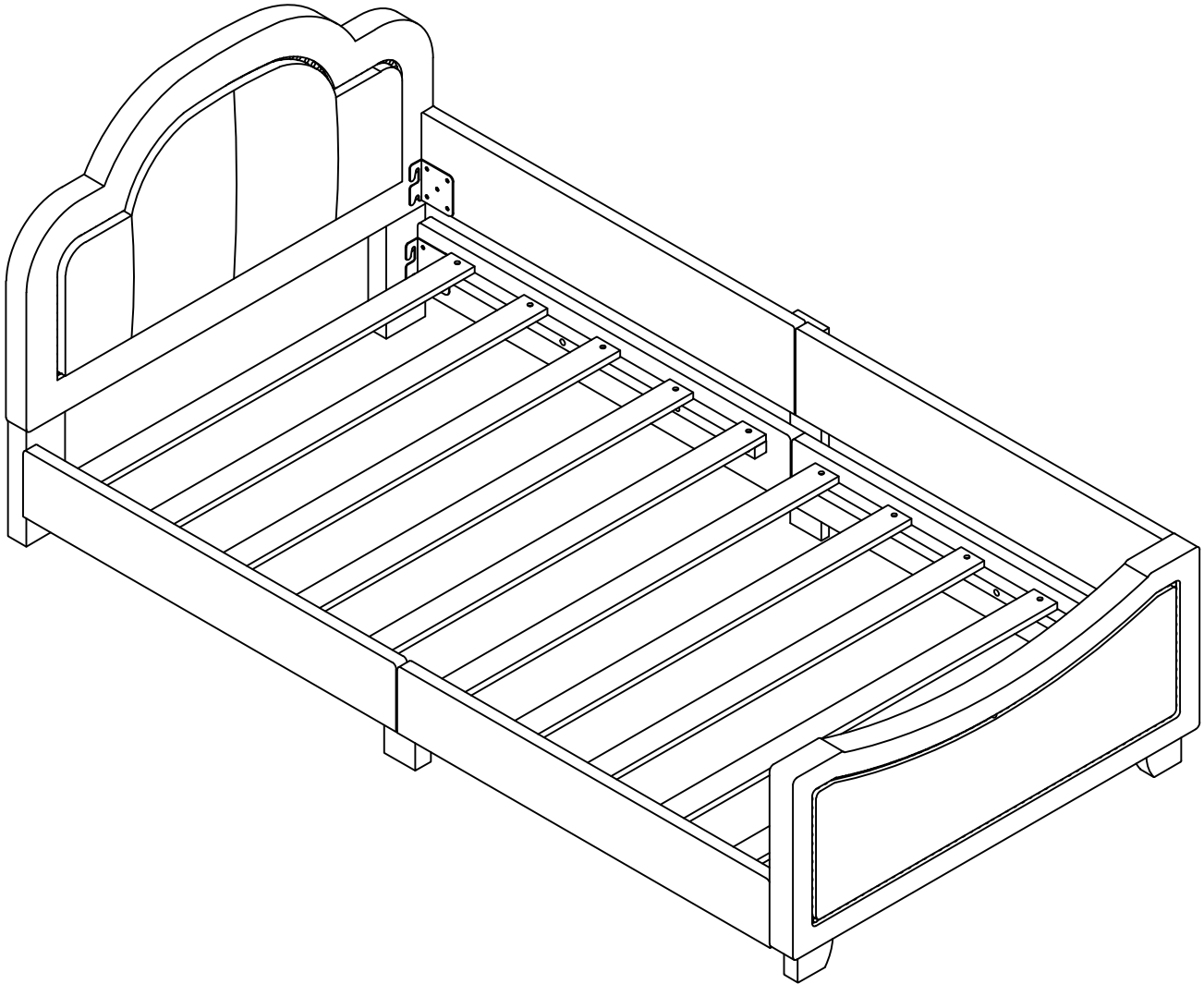


# ASSEMBLY INSTRUCTIONS



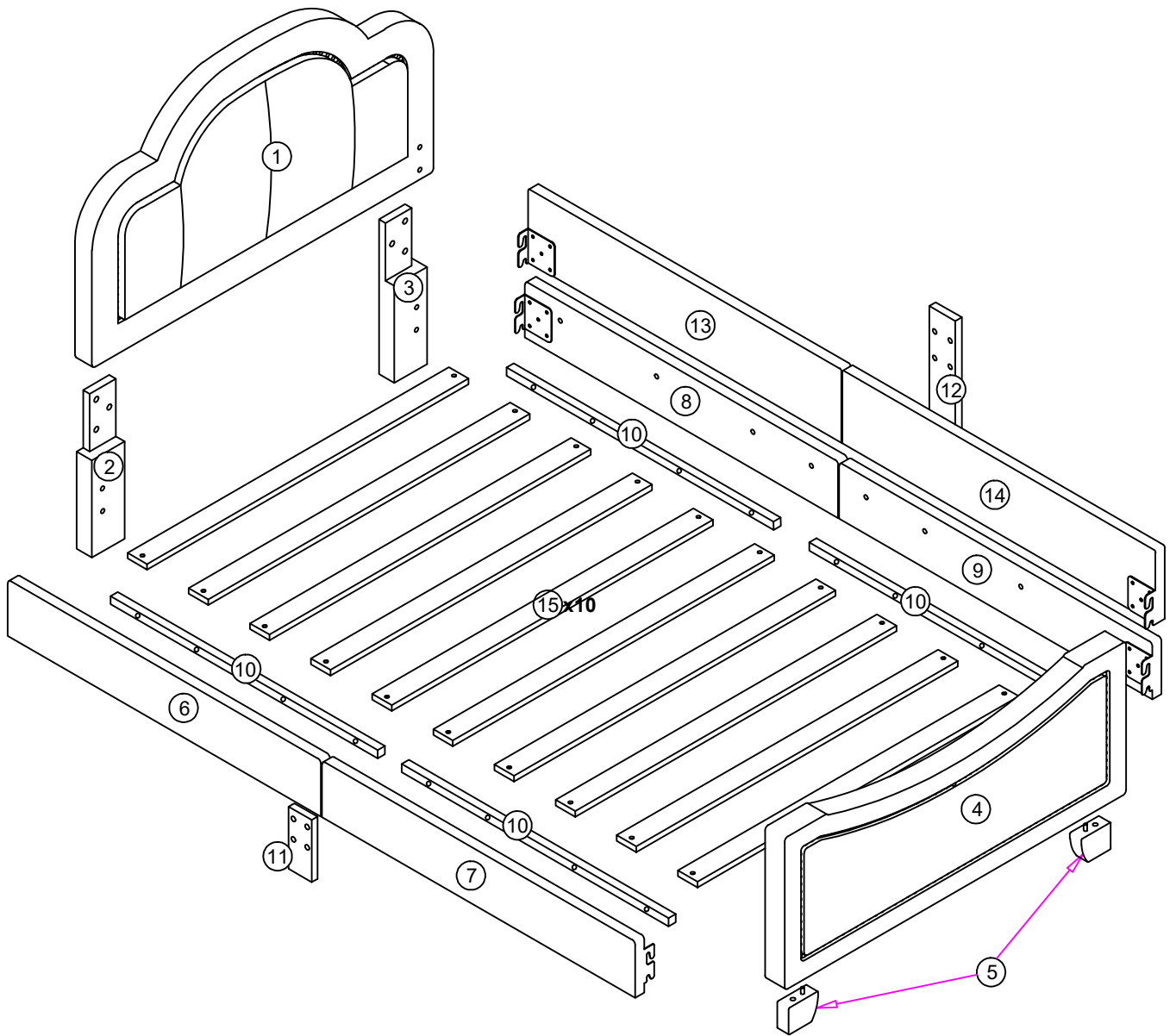
## IMPORTANT NOTE

**\*\*PLACE ALL PARTS ON A CLEAN AND SMOOTH SURFACE SUCH AS A RUG OR CARPET TO AVOID THE PARTS FROM BEING SCRATCHED**

**\*\* BEFORE YOU BEGIN , KINDY FOLLOW THE ASSEMBLY INSTRUCTIONS STEP BY STEP**

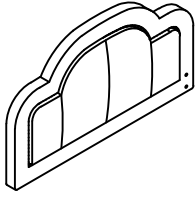

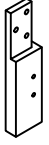
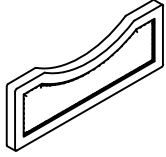

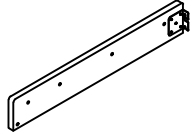
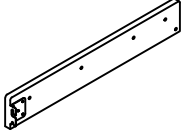
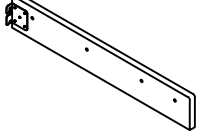
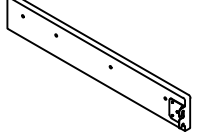
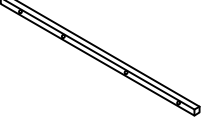

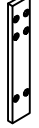
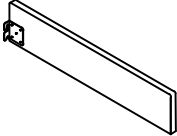
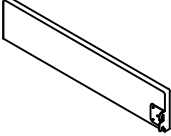
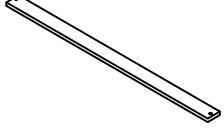
**\*\*DO NOT TIGHTEN ALL SCREWS AND BOLTS UNTIL THE BED IS FULLY SET-UP**

# ASSEMBLY INSTRUCTIONS



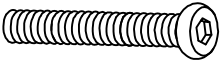
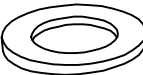
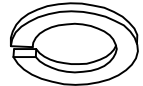

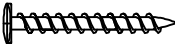


# ASSEMBLY INSTRUCTION

PART LIST IN: WF 314642

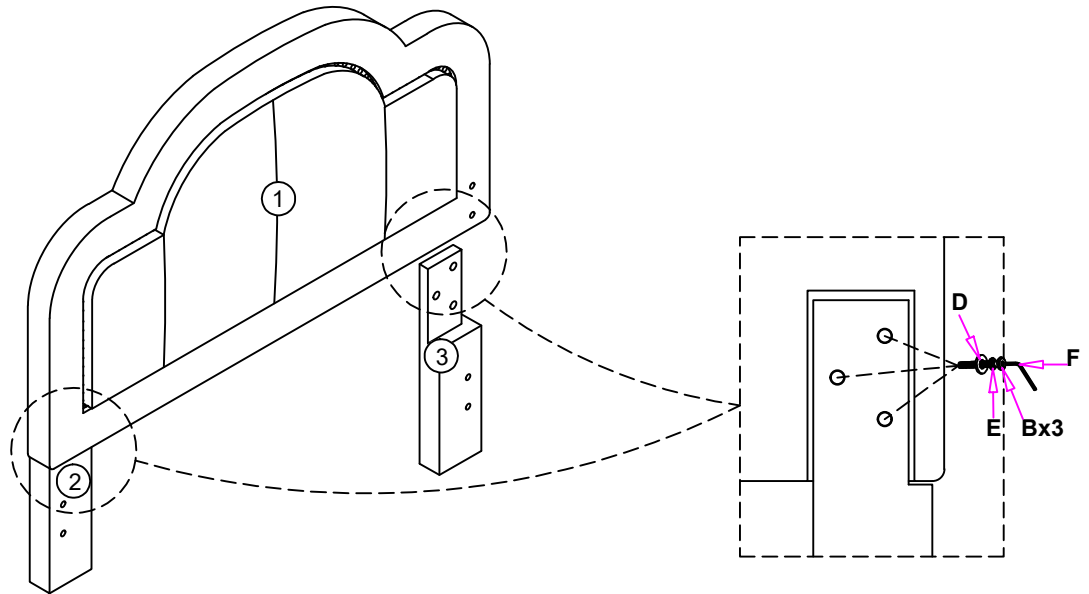
<p>1</p>  <p>Headboard Panel (1 pc)</p>	<p>2</p>  <p>Left Headboard Leg(1 pc)</p>	<p>3</p>  <p>Right Headboard Leg(1 pc)</p>
<p>4</p>  <p>Footboard Panel (1 pc)</p>	<p>5</p>  <p>Legs (2 pcs)</p>	<p>6</p>  <p>Side Rail (1pc)</p>
<p>7</p>  <p>Side Rail (1 pc)</p>	<p>8</p>  <p>Side Rail (1 pc)</p>	<p>9</p>  <p>Side Rail (1 pc)</p>
<p>10</p>  <p>Bed Support Bar (4 pcs)</p>	<p>11</p>  <p>Rail support legs (1pc)</p>	<p>12</p>  <p>Rail support legs (1pc)</p>
<p>13</p>  <p>Top Right Front Rail (1 pc)</p>	<p>14</p>  <p>Top Right Back Rail (1 pc)</p>	<p>15</p>  <p>Roll Slat (10 pcs) 985*60*15</p>





# ASSEMBLY INSTRUCTIONS

<p><b>A</b></p>  <p><b>Short Bolt (12pcs)</b> (5/16" X 25mm)</p>	<p><b>B</b></p>  <p><b>Long Bolt (16pcs)</b> (5/16" X 38mm)</p>	<p><b>C</b></p>  <p><b>Long Bolt (18pcs)</b> (5/16" X 50mm)</p>
<p><b>D</b></p>  <p><b>Flat Washer (46pcs)</b></p>	<p><b>E</b></p>  <p><b>Spring Washer (46pcs)</b></p>	<p><b>F</b></p>  <p><b>Allen Wrench (1pc)</b> (M4x75mmx32mm)</p>
<p><b>G</b></p>  <p><b>Flat Head Screw (20pcs)</b> (m4x30mm)</p>		

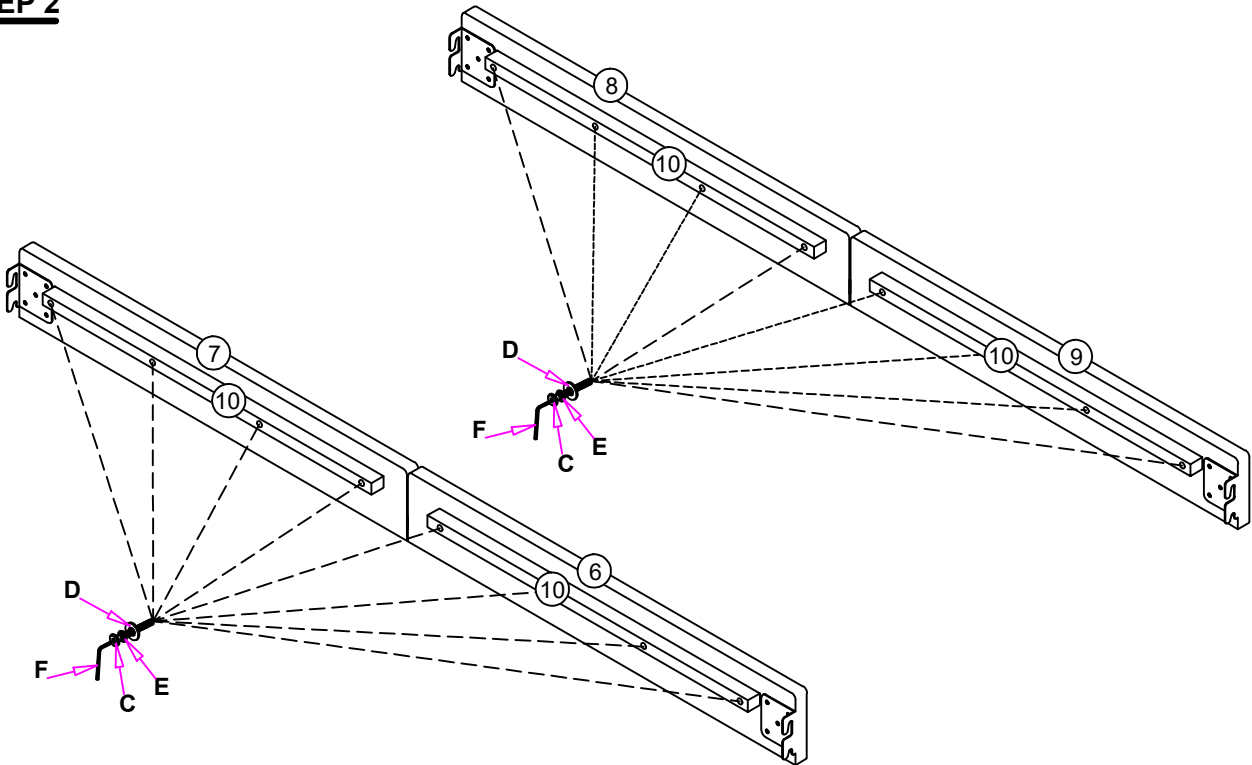
# ASSEMBLY INSTRUCTIONS





## STEP 1



B	<b>Bolt</b> (5/16" X38mm)		6pcs	E	<b>Spring Washer</b>		6pcs
F	<b>Allen Wrench</b> (M4x75mm x32mm)		1pc	D	<b>Flat Washer</b>		6pcs

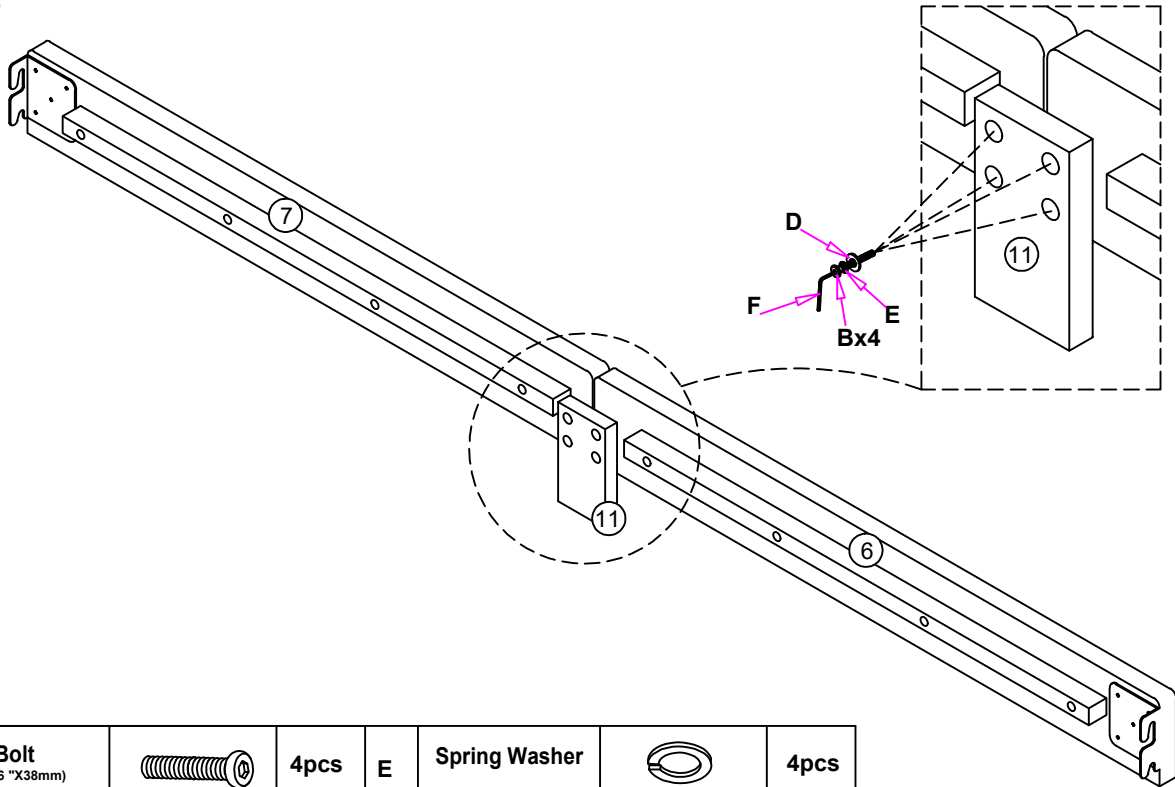
## STEP 2







C	<b>Bolt</b> (5/16" X50mm)		16pcs	E	<b>Spring Washer</b>		16pcs
F	<b>Allen Wrench</b> (M4x75mm x32mm)		1pc	D	<b>Flat Washer</b>		16pcs

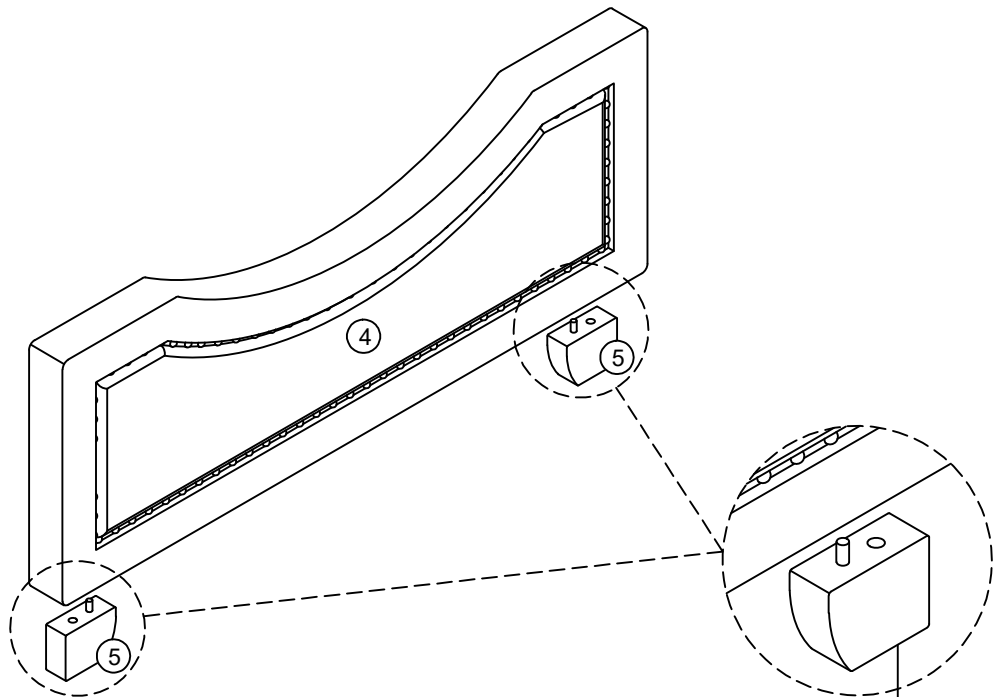
# ASSEMBLY INSTRUCTIONS





## STEP 3

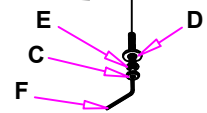


B	<b>Bolt</b> (5/16" X38mm)		4pcs	E	<b>Spring Washer</b>		4pcs
F	<b>Allen Wrench</b> (M4x75mm x32mm)		1pc	D	<b>Flat Washer</b>		4pcs

## STEP 4

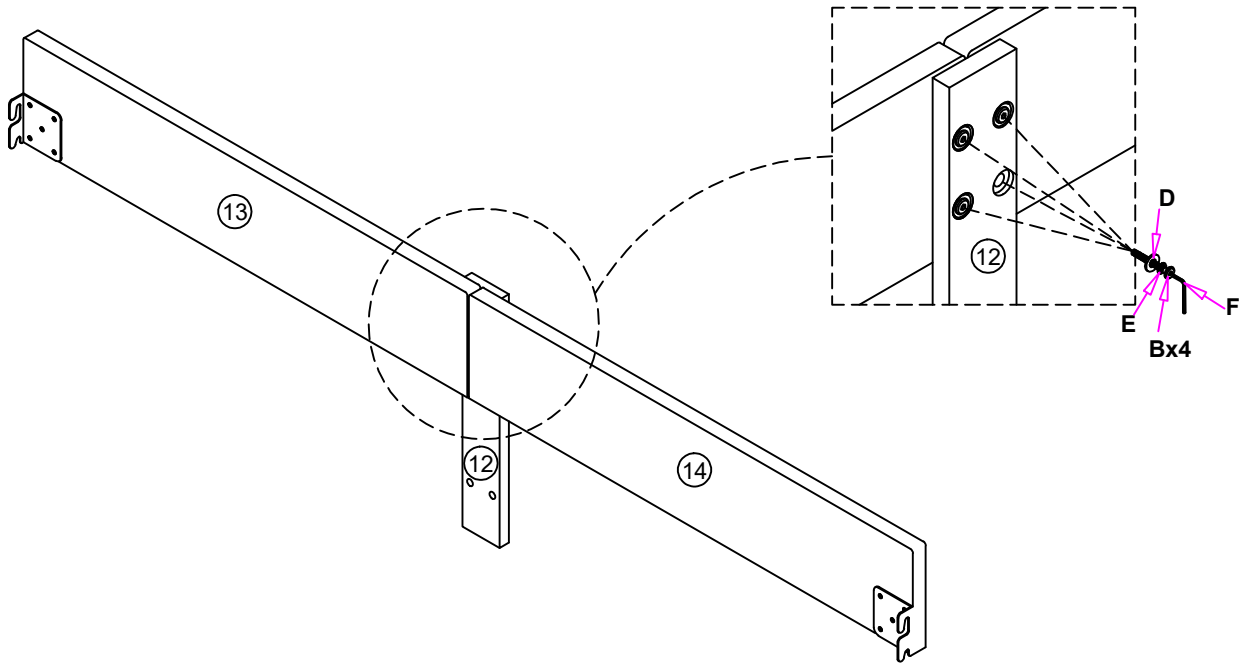






C	<b>Bolt</b> (5/16" X50mm)		2pcs	D	<b>Flat Washer</b>		2pcs
F	<b>Allen Wrench</b> (M4x75mm x32mm)		1pc	E	<b>Spring Washer</b>		2pcs



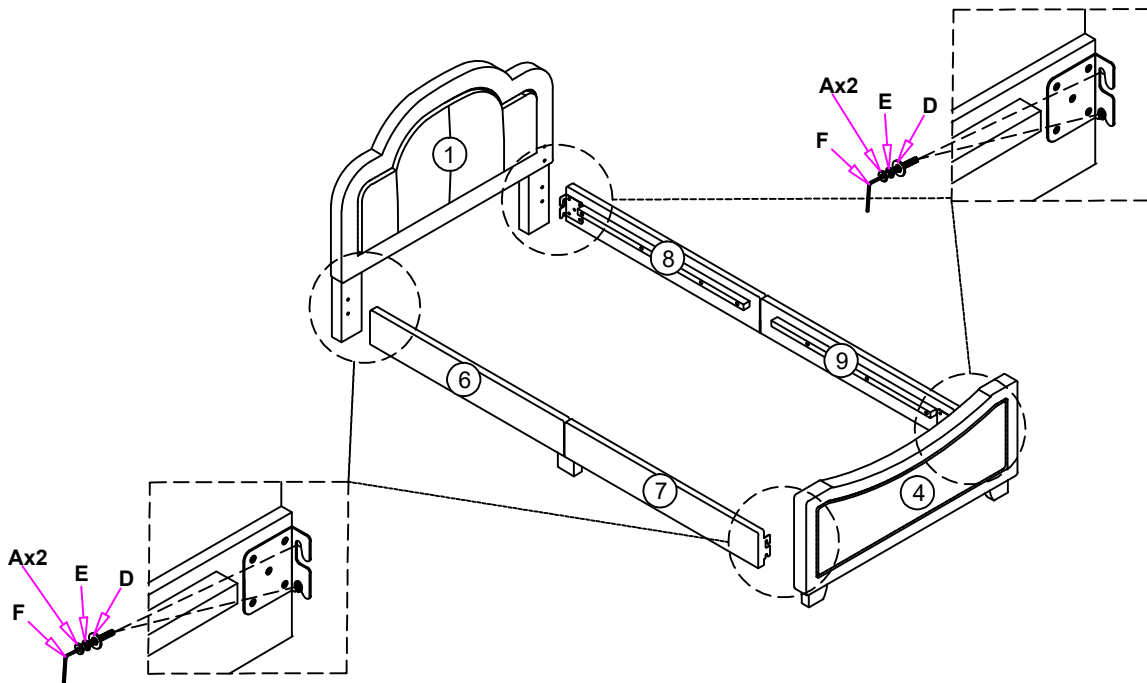
# ASSEMBLY INSTRUCTIONS





## STEP 5



B	<b>Bolt</b> (5/16 "X38mm)		4pcs	E	<b>Spring Washer</b>		4pcs
F	<b>Allen Wrench</b> (M4x75mm x32mm)		1pc	D	<b>Flat Washer</b>		4pcs

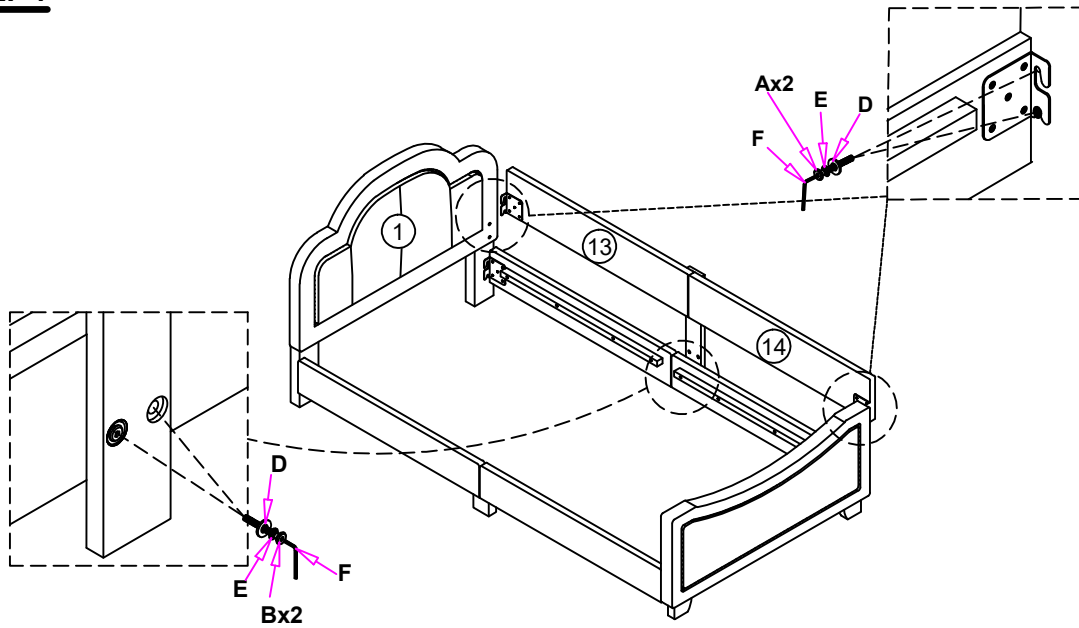
## STEP 6








A	<b>Bolt</b> (5/16 "X25mm)		8pcs	D	<b>Flat Washer</b>		8pcs
F	<b>Allen Wrench</b> (M4x75mm x32mm)		1pc	E	<b>Spring Washer</b>		8pcs

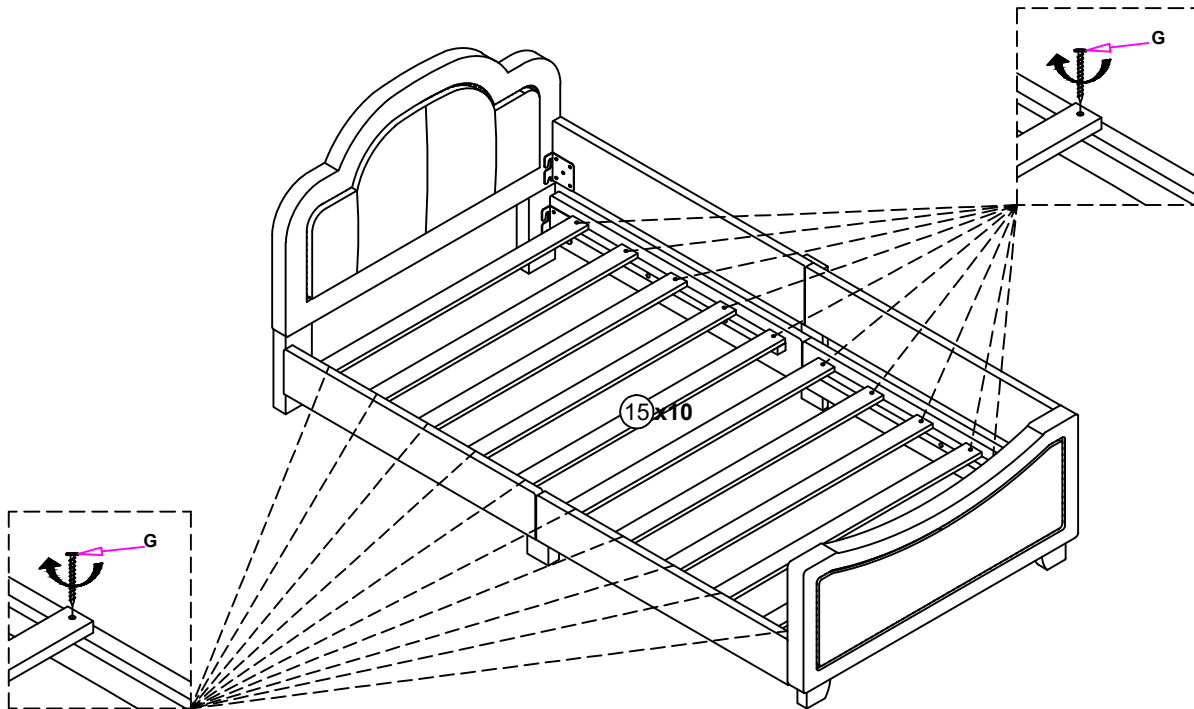
# ASSEMBLY INSTRUCTIONS

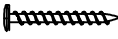
## STEP 7



A	<b>Bolt</b> (5/16" X25mm)		4pcs				
B	<b>Bolt</b> (5/16" X38mm)		2pcs	D	<b>Flat Washer</b>		6pcs
F	<b>Allen Wrench</b> (M4x75mm x32mm)		1pc	E	<b>Spring Washer</b>		6pcs

## STEP 8



G	<b>Flat Head Screw</b> (m4x30mm)		20pcs
---	-------------------------------------	---	-------

# ASSEMBLY INSTRUCTIONS

**STEP 9**  
**COMPLETE**

