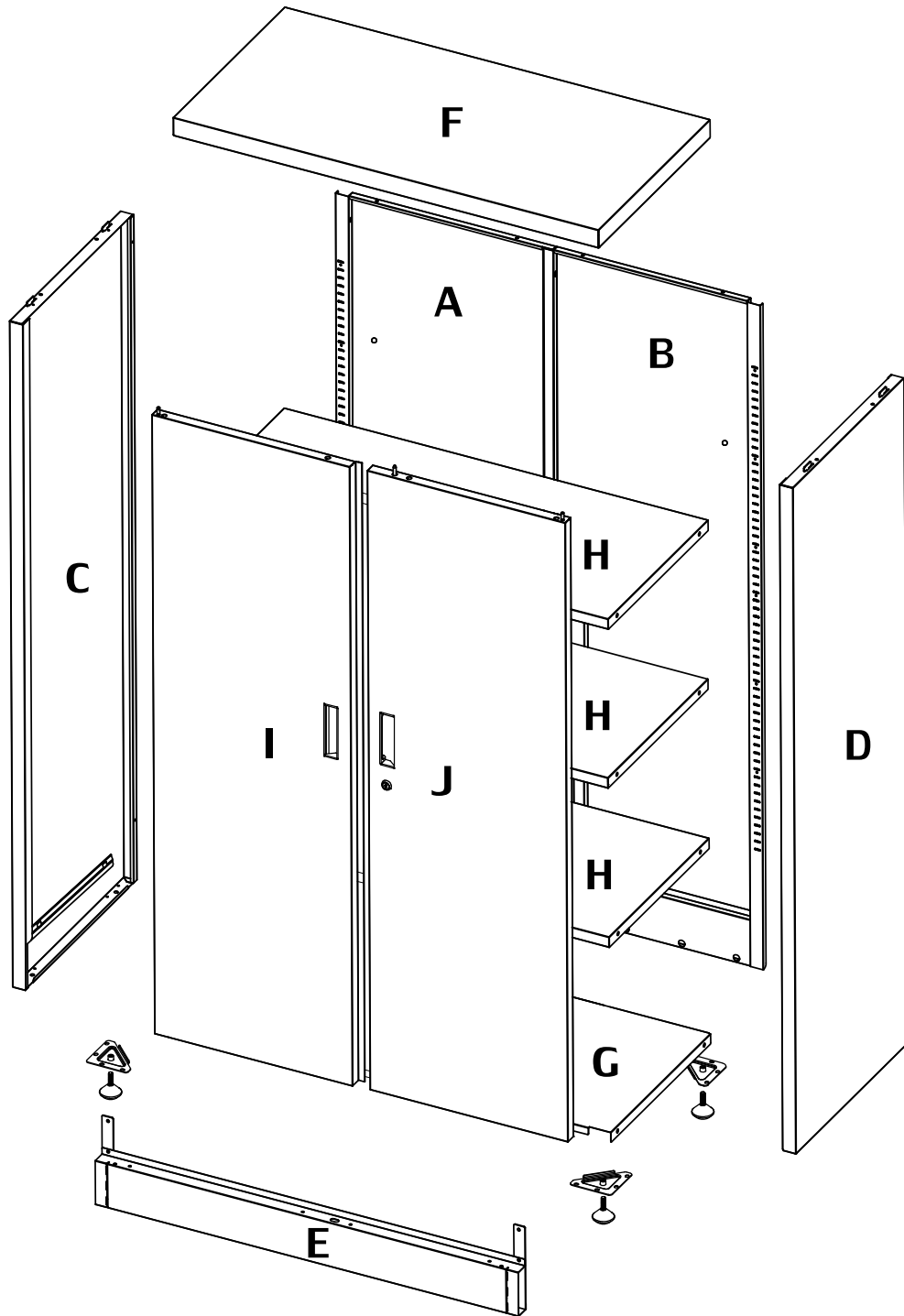


ASSEMBLY INSTRUCTIONS

Video: www.cbt79.com



MODEL: A3-1360T
Assembly Instructions (PDF)
Deutsch: www.cbt79.com/de
Français: www.cbt79.com/fr

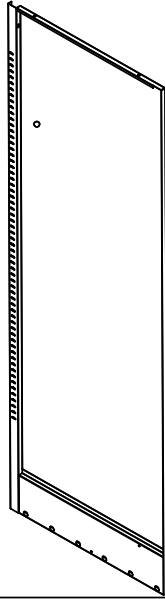
Assembly Video



www.cbt79.com

PARTS LIST

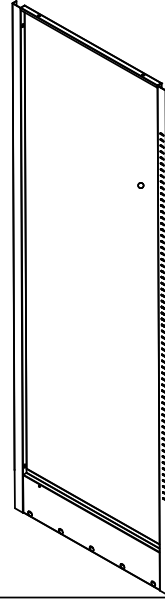
A



Back Panel - Left

×1

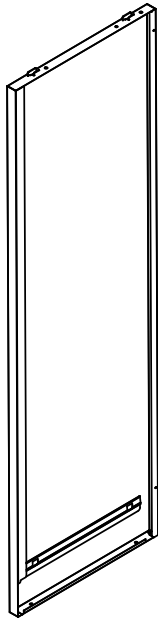
B



Back Panel - Right

×1

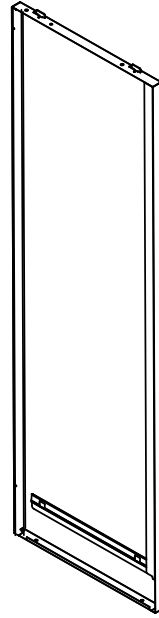
C



Side Panel - Left

×1

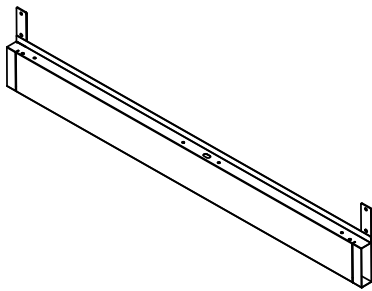
D



Side Panel - Right

×1

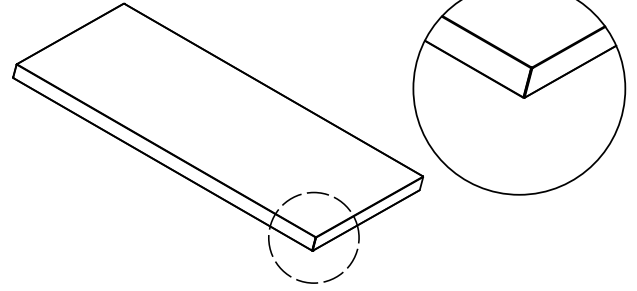
E



Bottom Beam

×1

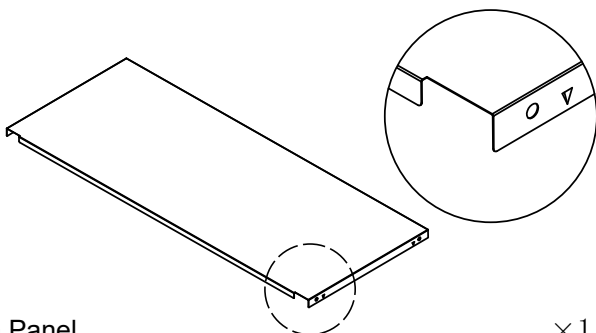
F



Top Panel

×1

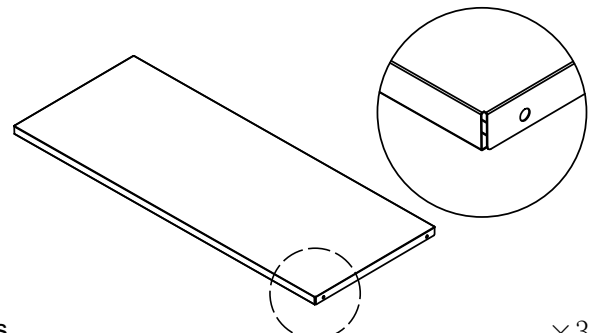
G



Bottom Panel

×1

H

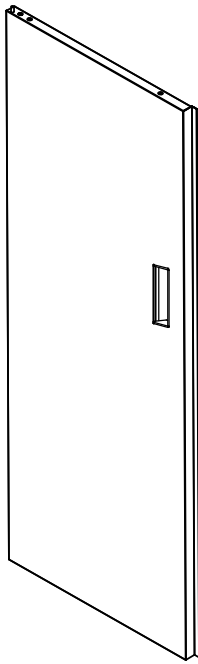


Shelves

×3

PARTS LIST

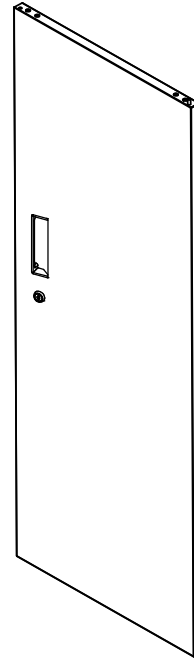
I



Left Door

× 1

J

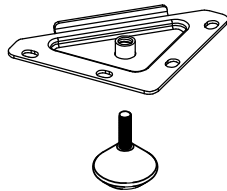


Right Door

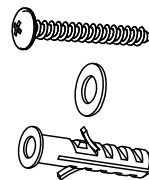
× 1



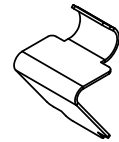
Screw × 38



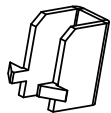
Adjustable Feet × 4



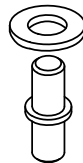
Anti-tip Kit × 2



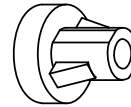
Shelf Support × 12



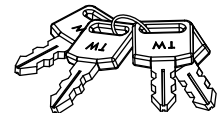
Shelf Clip × 12



Door Pin / Plastic Washer × 2



Magnetic Door Catch × 4

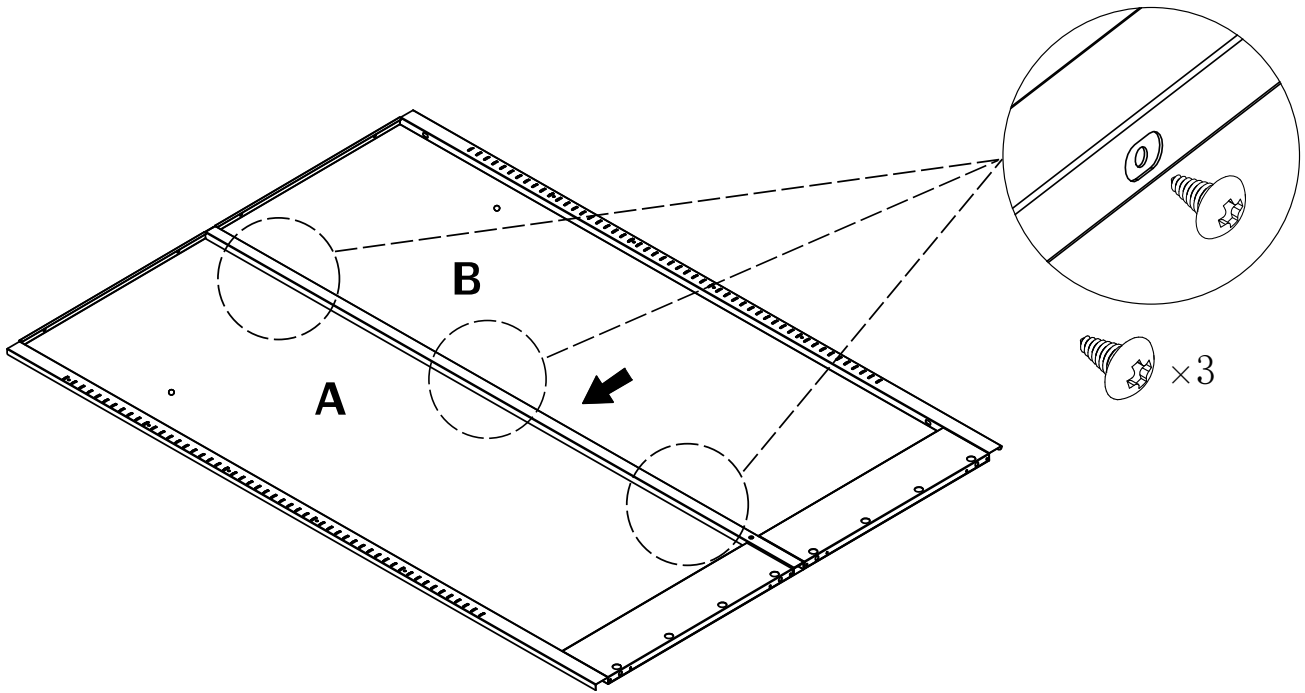


4 Keys

User Guide before Assembly:

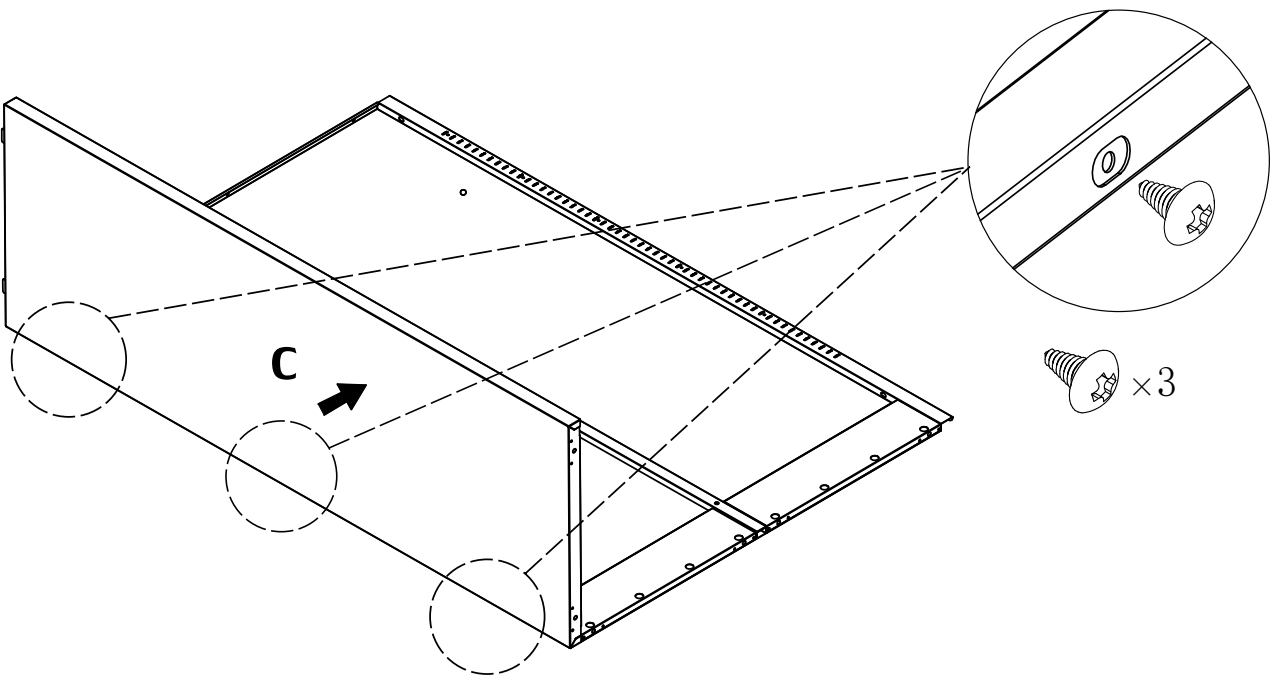
1. Please read the assembly instruction carefully and assemble the product accordingly, you can also follow the Assembly Video (www.cbt79.com) for a better understanding and quick assembly.
2. Please keep this manual and hand it over when you transfer the product.
3. The 2 metal corner brackets and 4 MDF boards surrounding the product inside are protective packaging only, they are not parts of the cabinet and are disposable.
4. Edges and corners may be sharp, use protective gloves to prevent personal injury when assembling.
5. To avoid the potential dangers of injury or suffocation, please keep all parts and packaging (film, plastic bags, foam, etc.) away from babies and children.
6. In order to ease the assembly, we have labeled the main panels (A, B, C, D) for easy identification, you should separate and identify the other parts firstly.
7. Do not place the parts directly onto the floor, use a cardboard sheet or a mat to place the parts, during the separation and assembly.
8. Use a phillips head screw driver to assemble the cabinet. Using a powered driver can speed up time required to assemble the cabinet.
9. To avoid damage to screws or holes, please do not over tighten the screws.
10. The cabinet is heavy and it is advised that you have two people to move, assemble, or install the cabinet to avoid personal injury or damage to the cabinet.

1



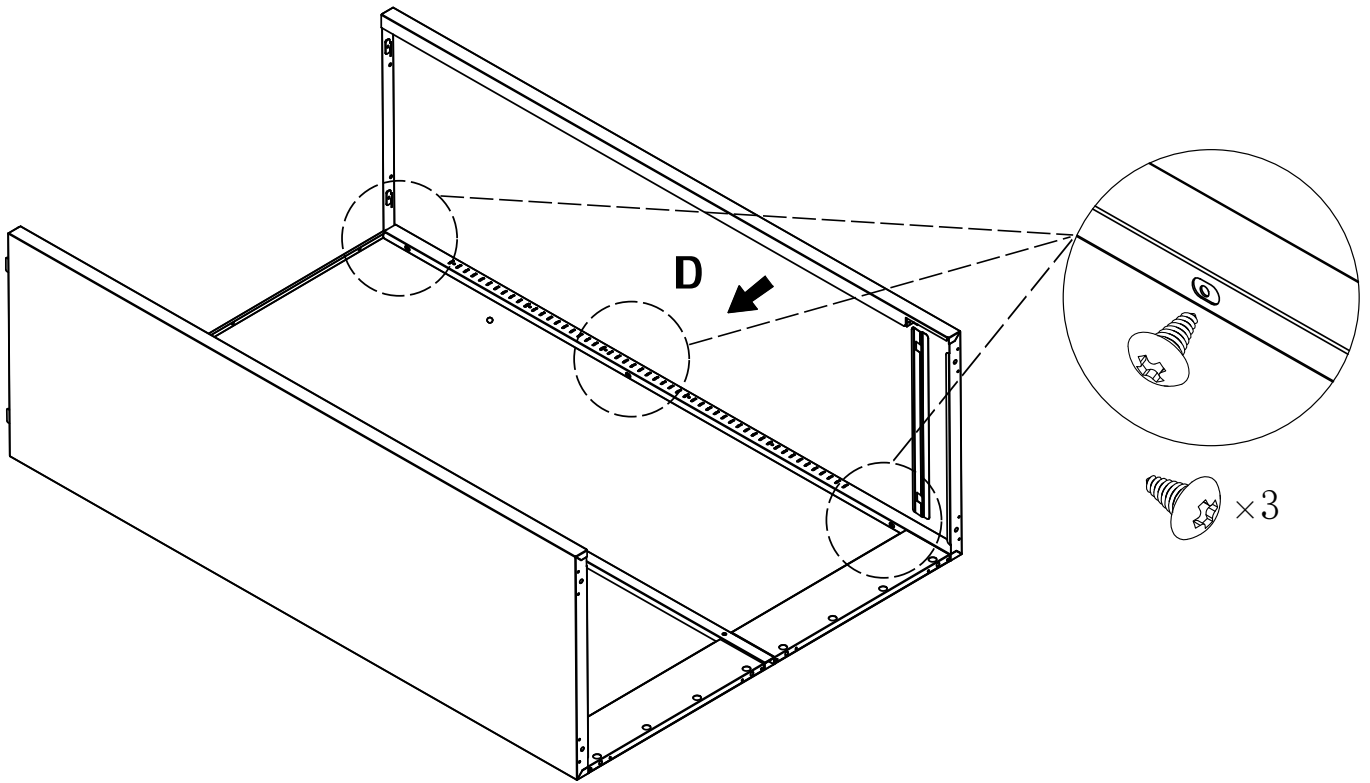
Overlap panel B frame over panel A frame
Align the holes, and assemble 2 panels with 3 screws

2



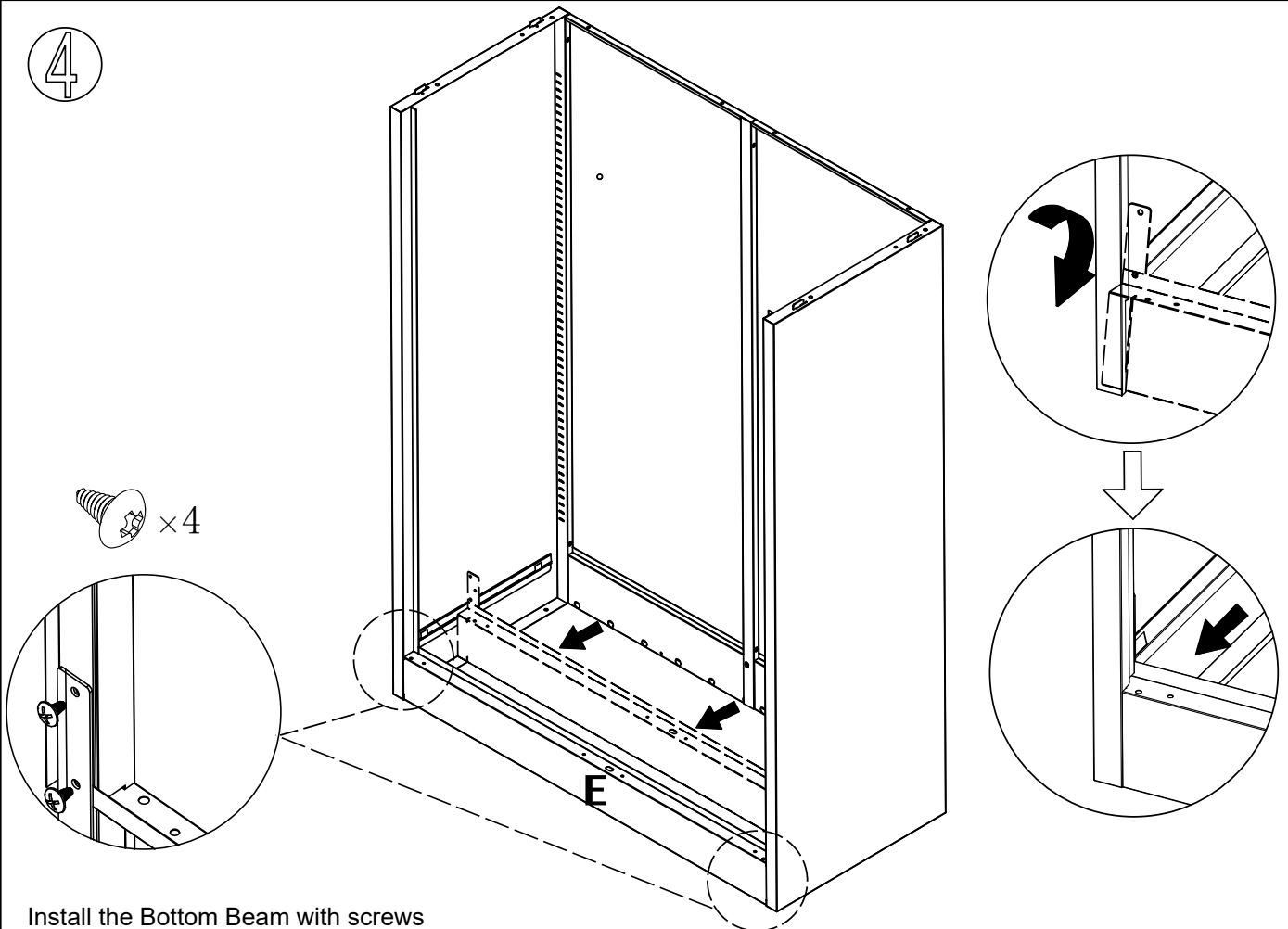
Overlap panel A frame over panel C frame
Align the holes, and assemble 2 panels with 3 screws

3



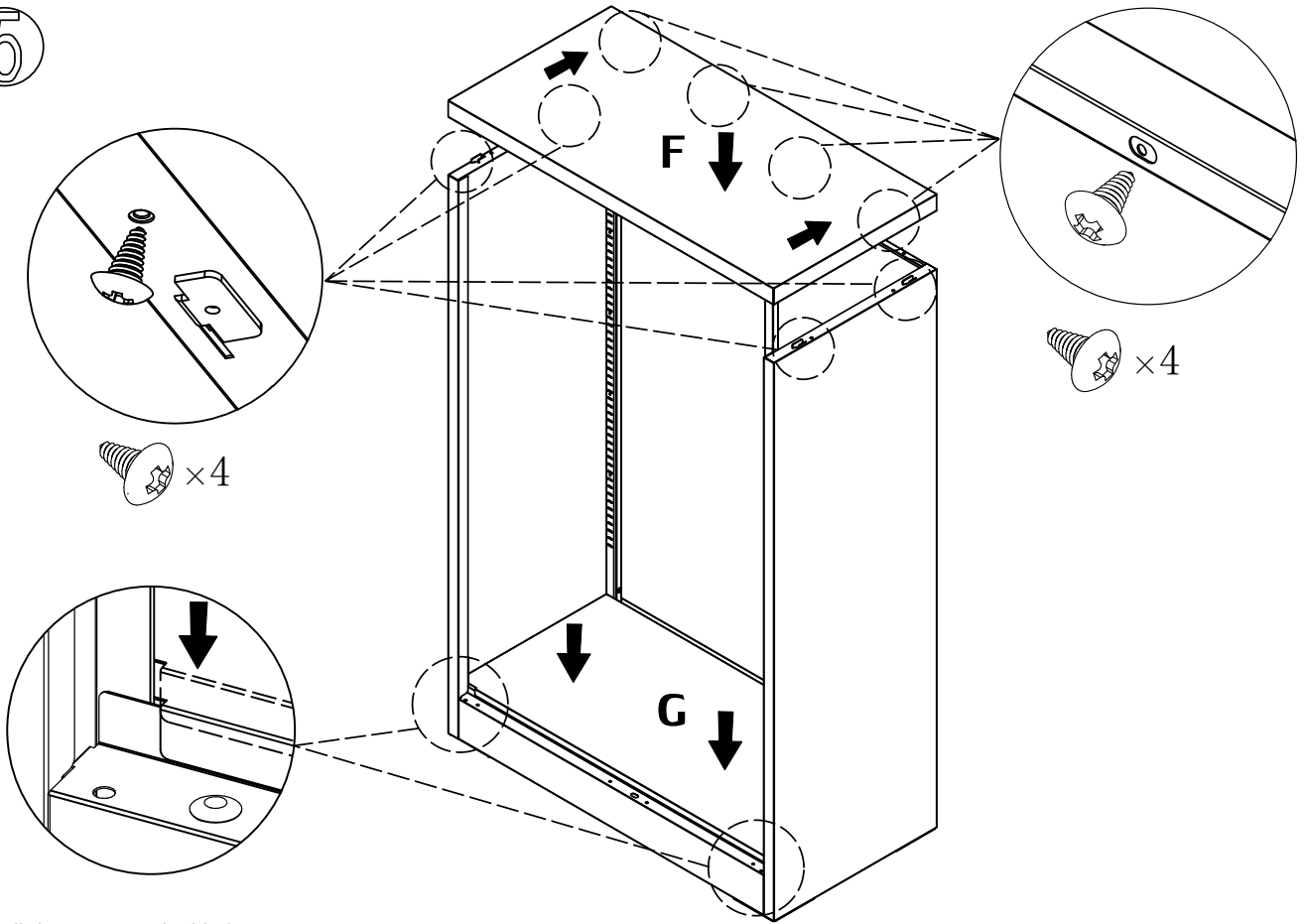
Overlap panel B frame over panel D frame
Align the holes, and assemble 2 panels with 3 screws

4



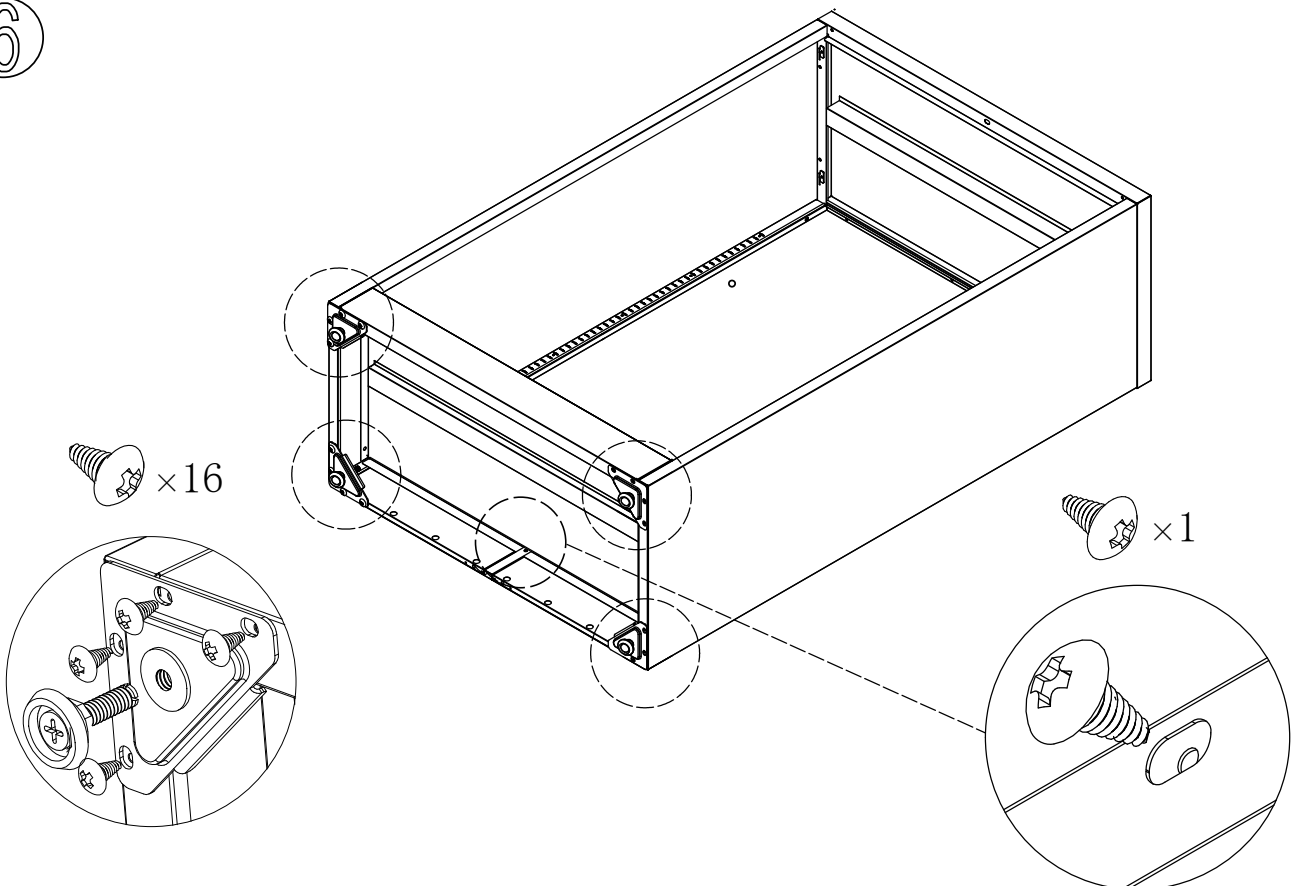
Install the Bottom Beam with screws

5



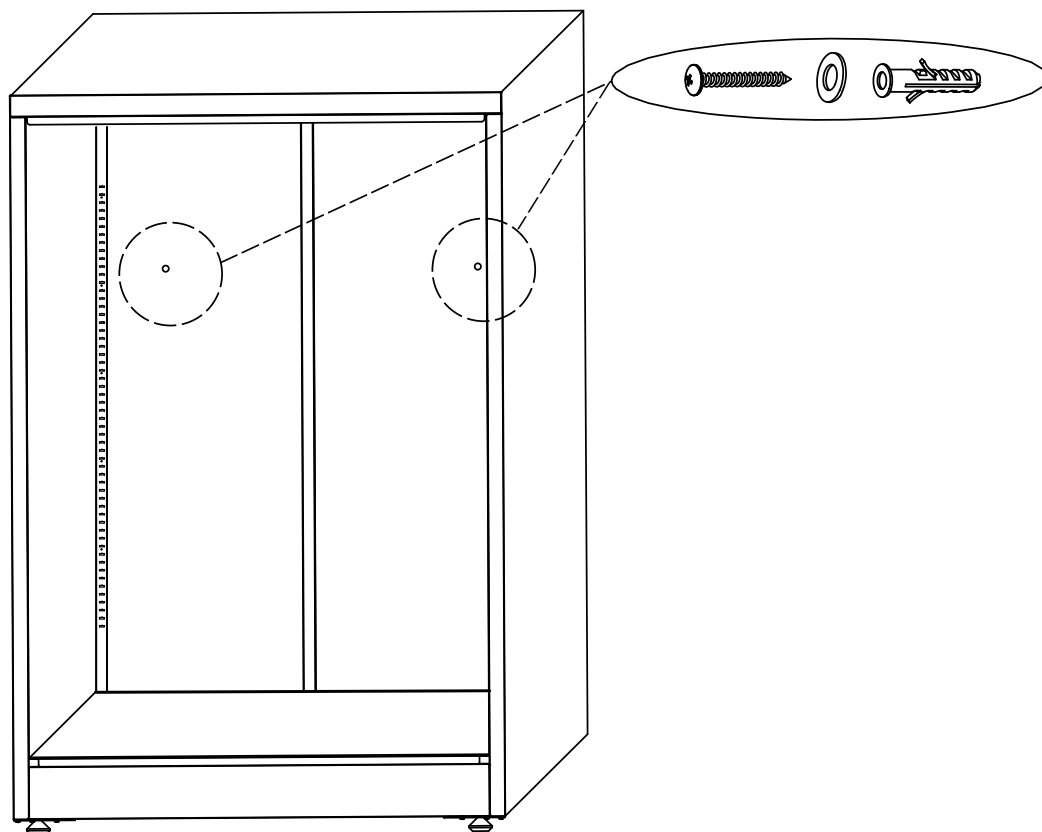
Install the top panel with 8 screws
Install the bottom panel by pressing it downward and lock it in position

6



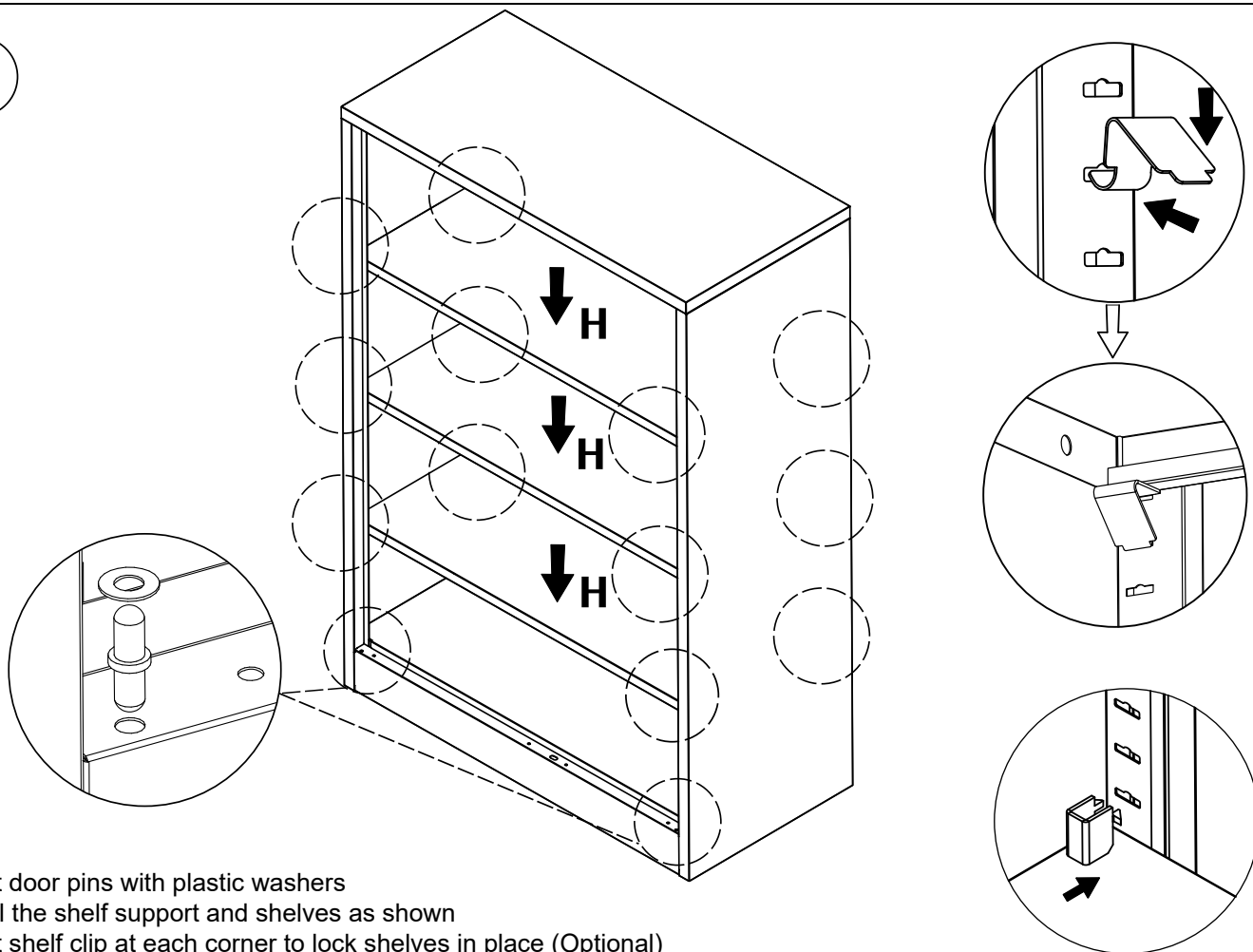
Install Corner Brackets and Adjustable Feet (Optional)
Fix the Bottom Panel in position with 1 screw

7



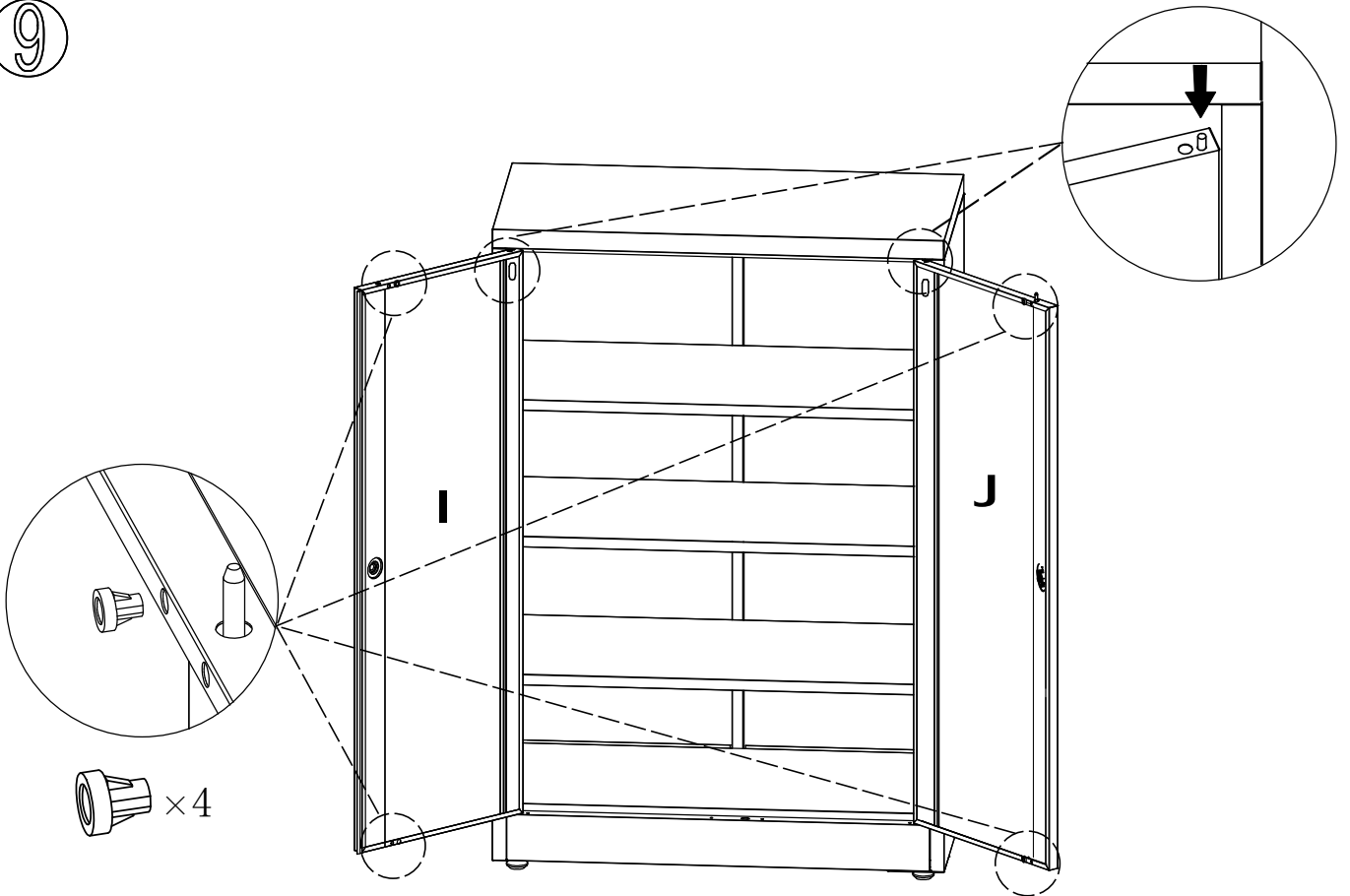
Fix the cabinet to wall with the anti-tip kit included to add security
Optional, floor standing

8

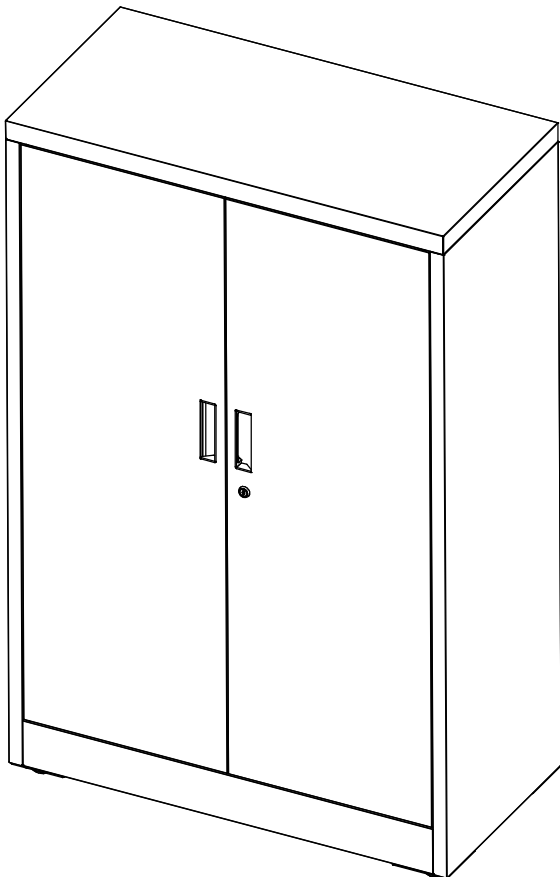


Insert door pins with plastic washers
Install the shelf support and shelves as shown
Insert shelf clip at each corner to lock shelves in place (Optional)

9



Install the 2 doors and 4 magnetic door catch



User Guide after Assembly:

1. The cabinet assembly is now completed. Make sure that all screws are tight.
2. There may be some extra screws and shelf support/clips left for backup use.
3. The cabinet must be level on the ground, or the doors may not operate correctly. Adjust the leg levelers if necessary.
4. Always place heavier items on the bottom shelf. Failure to do so may result in the unit tipping over, potentially causing injury.
5. It is advised to fix the cabinet to wall with the anti-tip kit included to avoid tipping over, which may causing injury.
6. It is forbidden to sit or stand on the product, or use it as a ladder or climbing tool.
7. Gently open and close the door to avoid pinching fingers.
8. Please wipe the cabinet with a soft towel to remove dust or stains, do not use abrasive cleaning tools.
9. Don't expose the product to direct sunlight or a humid environment to keep from aging the product surface.
10. Have a question or need help? For fastest service, please contact the customer service of the seller, from where you have purchased this product.