

SPECIFICATIONS:

INSTALLATION:	VESSEL		
INTERIOR DIMENSIONS:	16 3/8" W X 12 3/8" D X 4 5/8" H		
EXTERIOR DIMENSIONS:	18 3/4" W X 14 3/4" D X 6 3/4" H		
MATERIAL:	CONCRETE		
WEIGHT:	44 LBS		
OVERFLOW:	NO		
FINISHES:	TER - TERRACOTTA	MOS - MOSS	MAH - MATCHA
	SLT - SLATE	LIL - LILAC	AQA - AQUA
	CHL - CHARCOAL	CLY - CLAY	GAL - GALAXY
	SND - SAND	SUN - SUN	BRK - BRICK
			FOR - FOREST GREEN

CUT-OUT SIZE: Ø 8" (template available upon request)

FAUCET HOLE SIZE: N/A
DRAIN HOLE SIZE: Ø 1 5/8"



FEATURES:

- HANDCRAFTED CONCRETE SINK WITHOUT OVERFLOW
- ERGONOMIC BASIN SHAPE
- PROUDLY MADE IN THE USA
- SURFACE FINISH : MATTE SEALED
- SCRATCH RESISTANCE: MODERATE; AVOID ABRASIVE CLEANER
- EASY INSTALLATION
- ENSURES EFFICIENT WATER FLOW AND REDUCES SPLASH-BACK, ESPECIALLY USEFUL IN HIGH-USE ENVIRONMENTS

CODES + STANDARDS:

- MEETS AND EXCEEDS APPLICABLE NATIONAL CODES AND STANDARDS



compliant when installed to specific requirements of this regulation

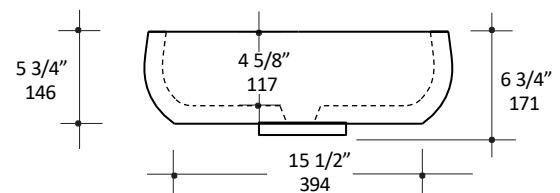
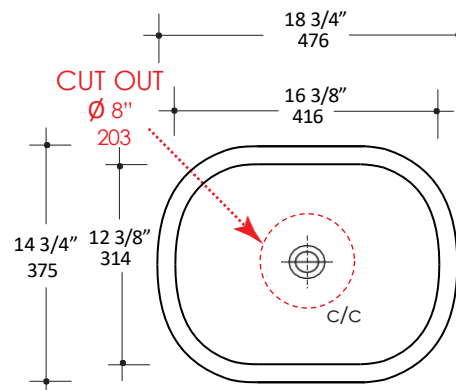
RECOMMENDED ITEMS:

- DRAIN OPTIONS:
- 7100-13
- 7100-15

CARE + MAINTENANCE:

DUE TO THE NATURE OF CONCRETE MATERIAL, PLEASE DO NOT OVERTIGHTEN THE DRAIN AND OTHER HARDWARE AS IT MAY CAUSE THE SINK TO CHIP OR CRACK

[Click Here](#) to find out more about proper care and maintenance of concrete



LACAVA reserves the right to revise any dimension or information on this sheet without notice. Dimensions are nominal and may vary within an industry accepted tolerance of 1/4". Cabinets with 'vanity top' sinks are made to the matching sink and dimensions may vary. LACAVA is not responsible for any cutouts, countertops, or furniture made without the actual product or template. Differences in color, appearance, and texture are inherent in all concrete pieces and should be expected. Variances in these qualities are not deemed manufacturing defects and will not be accepted as valid reasons for return or exchanges. Plumbing specifications are only a guideline and may need alteration based on application.

Unique Nature of Concrete



Our handcrafted concrete sinks celebrate their natural, unique character, featuring variations in color, texture, pores, lines, seams, and small surface holes caused by trapped air during casting - all of which are inherent and do not compromise durability. Made from traditional mixes of gravel, crushed stone, sand, and cement, each piece is individually crafted, resulting in one-of-a-kind products with organic, stone-like qualities and a rich patina, emphasizing the beauty of natural imperfections. These features, including visible aggregates, subtle cracks, and color and texture variations due to the mixing process and curing, are natural to concrete, highlighting its authentic and artisanal nature. Please consider your comfort level with these distinctive characteristics before placing an order, as each sink will be unique in nature and slightly different from the photography shown on our website.

