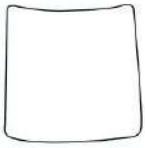

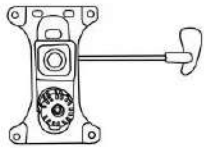



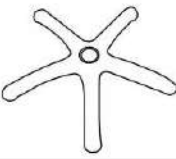


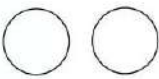








# INSTALLATION STEP DIAGRAM

<b>G</b> BACK 	<b>H</b> SEAT 	<b>I</b> MECHANISM 	<b>J</b> CASTER  <b>5pcs</b>	<b>h</b> WRENCH  <b>1pcs</b>	<b>K</b> GAS LIFT 	<b>L</b> BASE 	
<b>M</b> ARMRESTS  <b>2pcs</b>		<b>k</b> COVER 	<b>f</b>  <b>4 pcs</b> 6x20mm	<b>s</b>   <b>6 pcs</b> 6x20mm			
				<b>y</b>   <b>2 pcs</b> 6x15mm	<b>f</b>  <b>4 pcs</b> 6x20mm		

