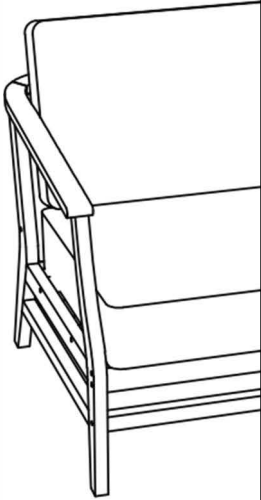


# Owner Manual



# WARRANTY

We strive to offer high quality product and we also try our best to satisfy each customer that order from us, no matter on products or services as needed. Each customer receives a record of their order, such as the order number or item receipt. For any items that are out of warranty period, you may still be able to purchase the replacement parts from our company if they are available.



# MAINTENANCE AND WARNING

Please read the manual thoroughly  
before you start installing.

Please keep the product away from  
sharp object.

Packaging and small parts may have  
chocking hazard, please keep them away  
from children and pets.

Please clean the product according to each  
clean code, check the product description  
for more information.

Please keep the product away from  
fire.

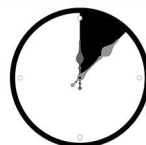
If you have any other questions, please  
contact us, we will be glad to help you out.

If the product is placed under direct  
sunlight, the pattern or color might fade  
away overtime.

Check the product periodically to make  
sure everything is secured and tightened.

Always use proper tools for installation.

Do not jump on the product.



Around 35 min

# PRODUCT DESCRIPTION

Crafted from durable solid teak wood for excellent weather resistance and long-lasting strength.

Waterproof cotton-blend fabric upholstery resists rain, UV rays, and stains, making it ideal for outdoor spaces.

Spacious seating area with a gracefully curved backrest ensures superior ergonomic comfort.

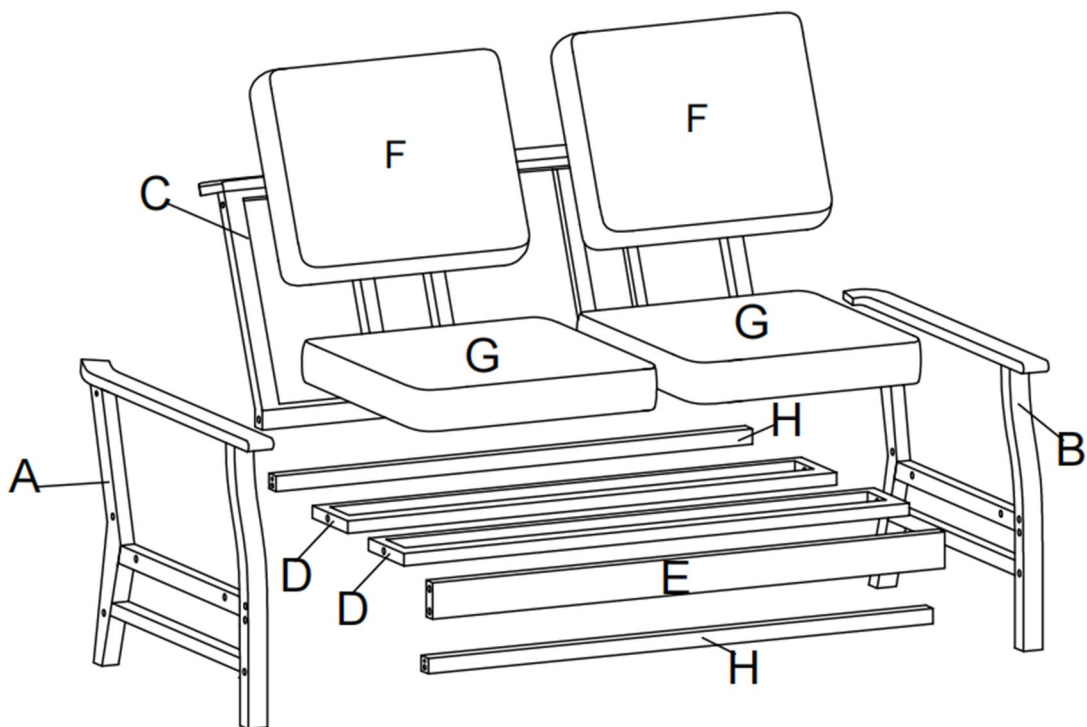
Thick cushions filled with plush foam and soft synthetic fibers offer outstanding relaxation and support.

Sculptural openwork armrests with rich wood grain provide a modern, refined look that complements outdoor décor.

# EXPLODED VIEW

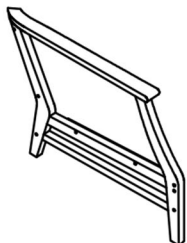


The product's left and right are determined by sitting posture



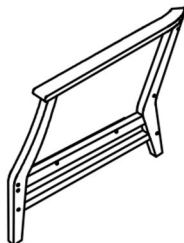
# PARTS

Ax1



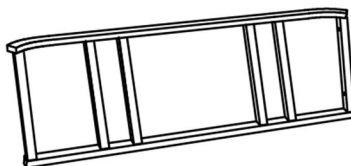
Right arm

Bx1



Left arm

Cx1



Backrest

Dx2



Seat frame

Ex1



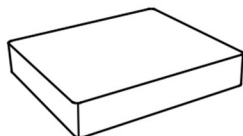
Seat rail

Fx2



Back cushion

Gx2



Seat cushion

Hx2



Rail bar

# HARDWARE

## TOOL LIST

NOTE: Designated with (★) We provide additional spare parts in the hardware package

①\*4



M6\*40mm  
Bolts

②\*12



★M6\*50mm  
Bolts

③\*1



Allen key

④\*4



Vertical nut

⑤\*16



★ Black hole  
cover

⑥\*16



★ Ø6\*14mm  
Flat washer

⑦\*4

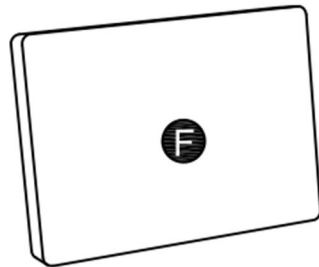
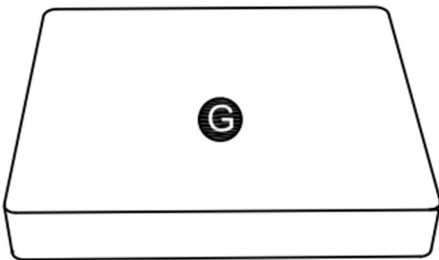
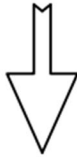
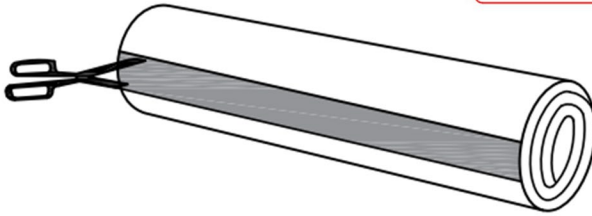
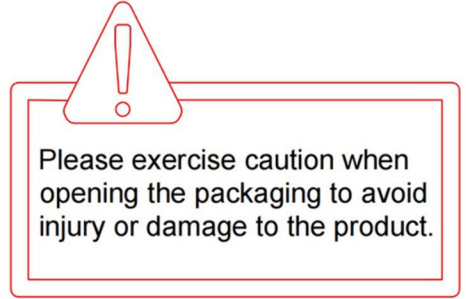


Wooden dowel

Please make sure all hardware & packing material fitting the list. Especially some small accessories may be missing during transportation. Please contact us if you have any question.

# step 1

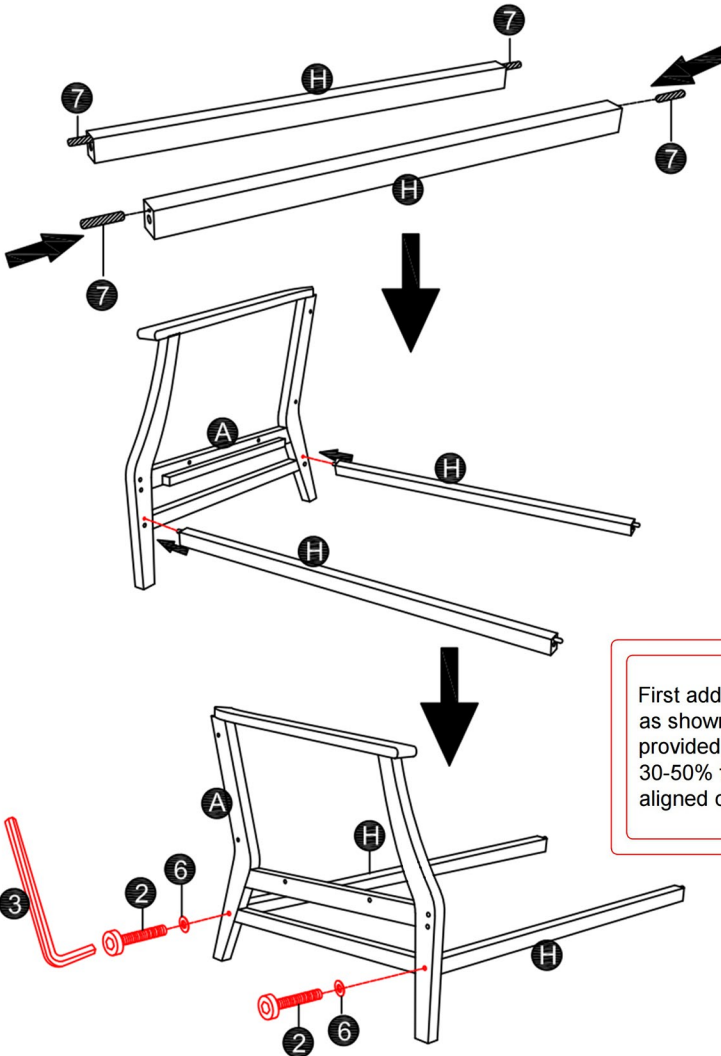
After taking out the cushions (F&G) from the air compression bags, please allow them to recover for a period of time. It may take up to **48** hours to fully recover. You can gently slap them to speed up the process.



X2

# step 2

Insert the wooden dowels (7) into each end of the rail bar (H) as shown, then align with the pre-drilled holes on the armrest. Use the allen wrench (3) provided to tighten the bolts (2) and washers (6) from the other side of the armrest.

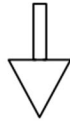
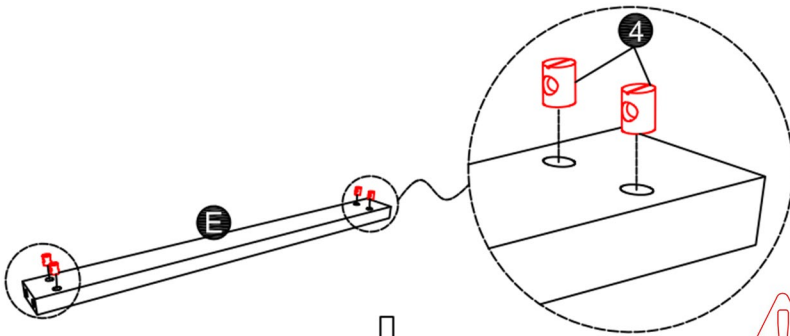



⚠  
First add one flat washer on each bolt as shown, use the allen wrench provided to tighten all the bolts by 30-50% first, make sure that all bolts are aligned correctly before fully tightening.

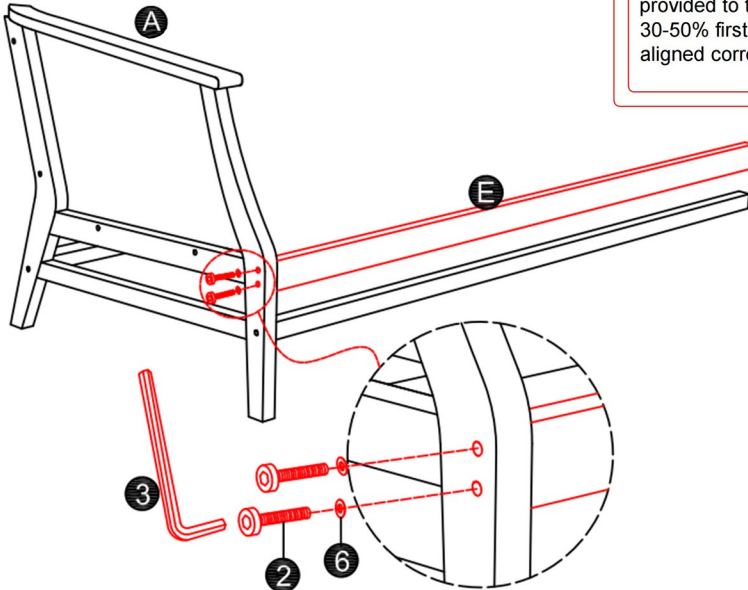
# step 3

Place the nuts (4) into the designated holes on the Seat Rail (E) as shown, make sure the holes on the nuts (4) are aligned with the holes on both sides of the Seat Rail.

Attach the Seat Rail (E) to the Right Armrest (A), use the allen wrench (3) provided to tighten the bolts (2) and washers (6) .



  
First add one flat washer on each bolt as shown, use the allen wrench provided to tighten all the bolts by 30-50% first, make sure that all bolts are aligned correctly before fully tightening.

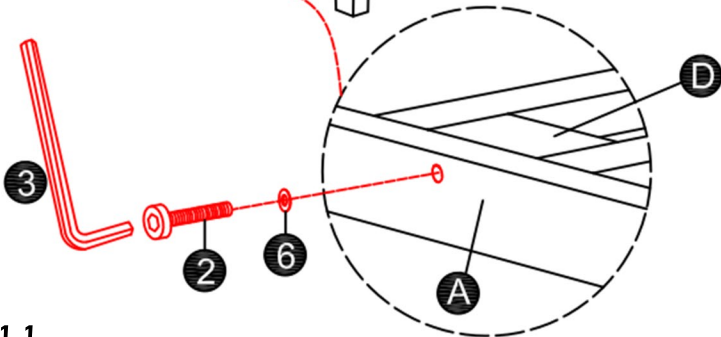
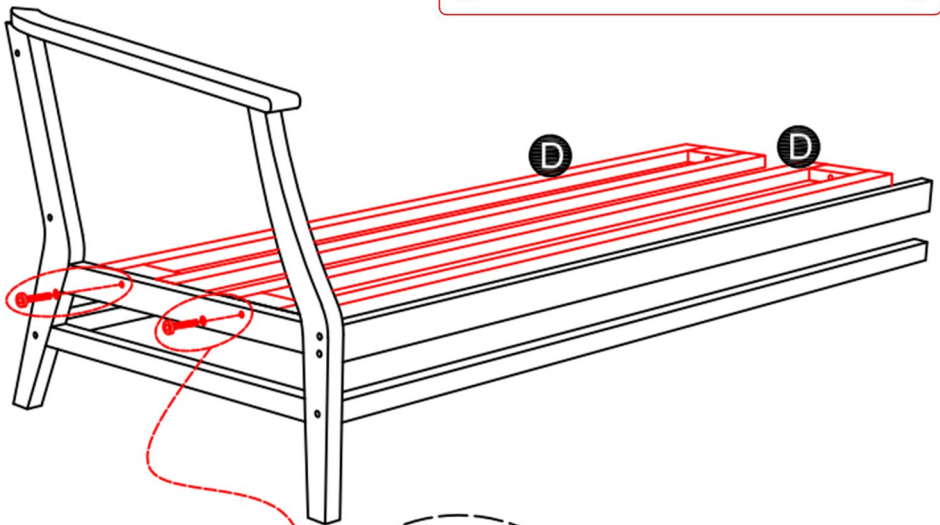


# step 4

Attach the Seat frame (D) to the Right Armrest (A), use the allen wrench (3) provided to tighten the bolts(1) and washers(6).

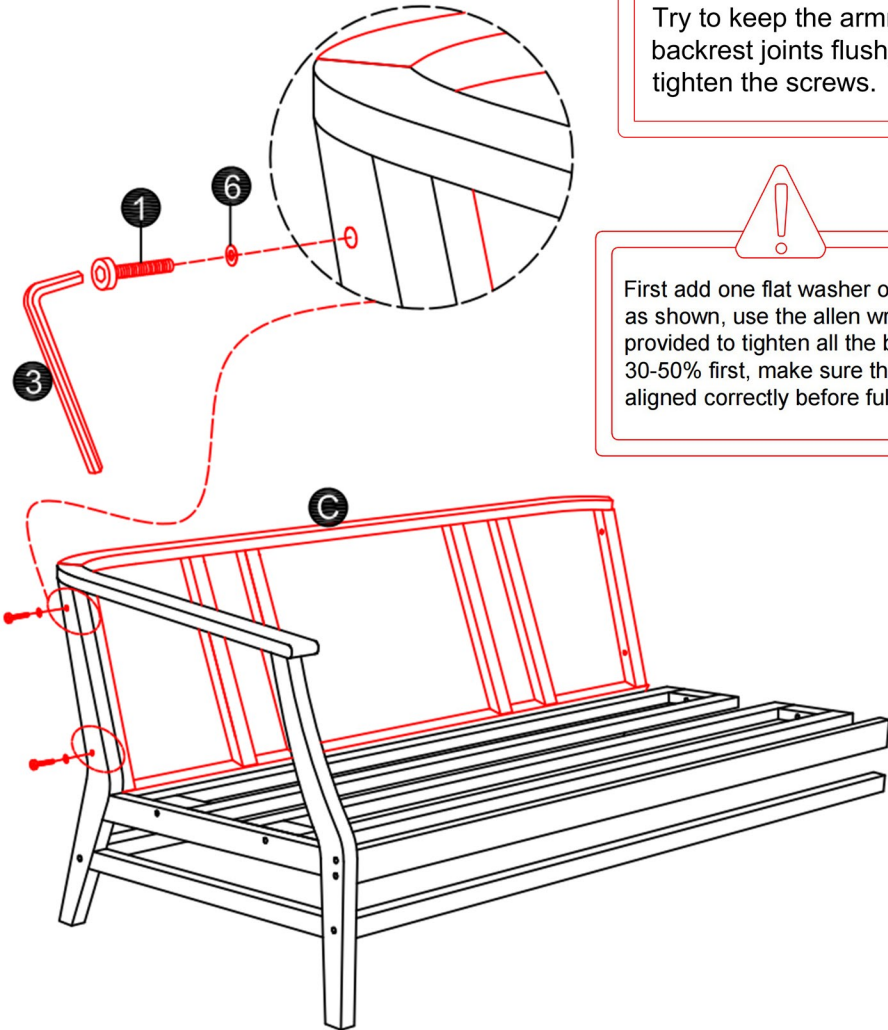


First add one flat washer on each bolt as shown, use the allen wrench provided to tighten all the bolts by 30-50% first, make sure that all bolts are aligned correctly before fully tightening.



# step 5

Connect the Backrest (C) to the Right Armrest (A) as shown, then use the allen wrench provided (3) to tighten the bolts (1) and washer (6) .



Try to keep the armrest and backrest joints flush, and then tighten the screws.

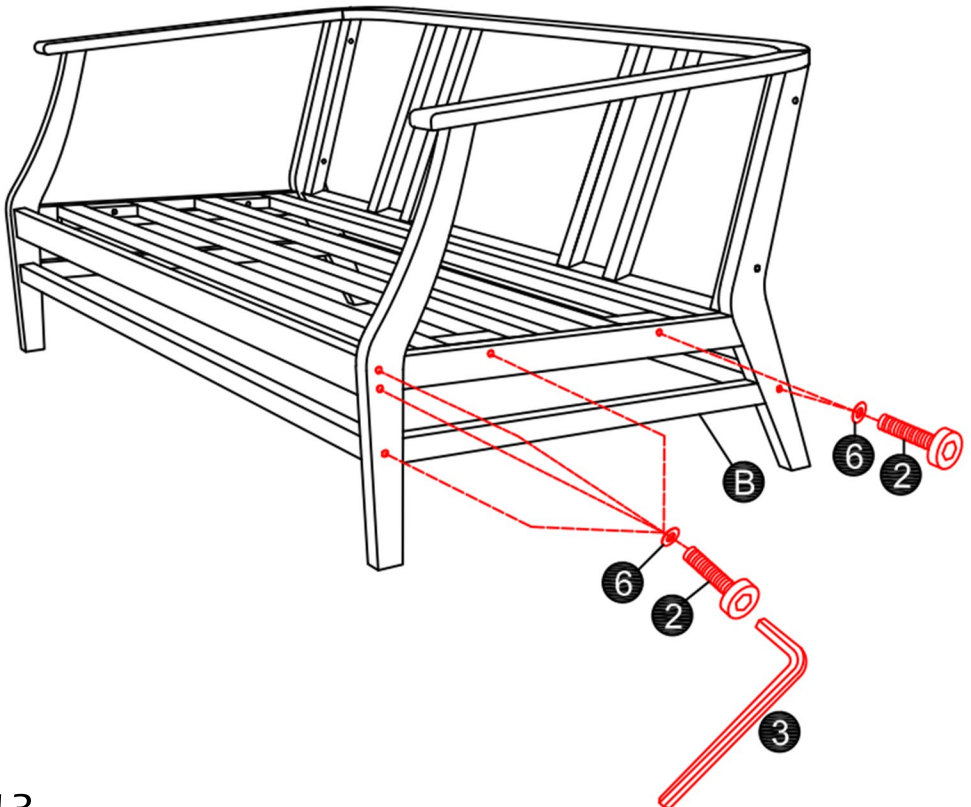
First add one flat washer on each bolt as shown, use the allen wrench provided to tighten all the bolts by 30-50% first, make sure that all bolts are aligned correctly before fully tightening.

# step 6

Install the Left Armrest (B) using the same method from previous step.



First add one flat washer on each bolt as shown, use the allen wrench provided to tighten all the bolts by 30-50% first, make sure that all bolts are aligned correctly before fully tightening.

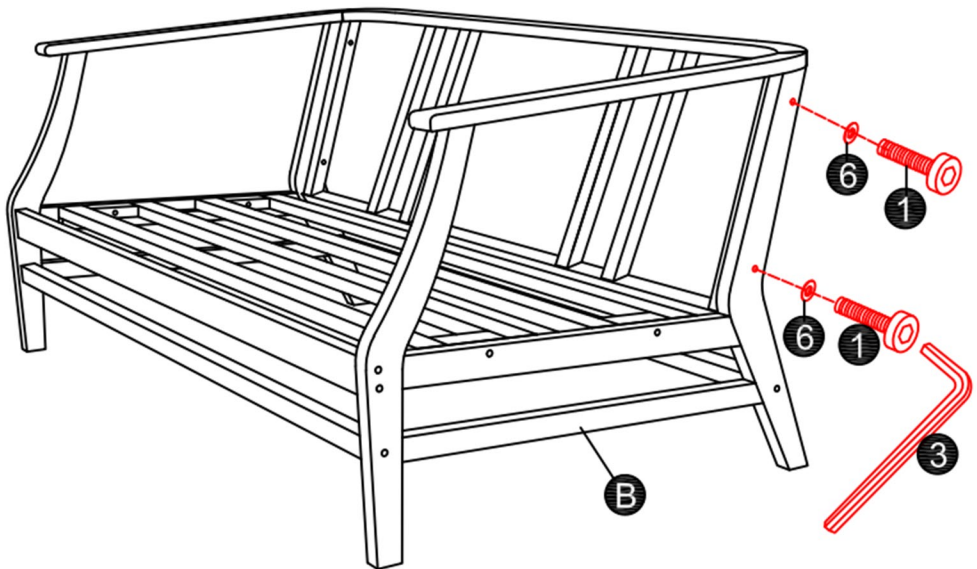


# step 7

Connect the Left Armrest (B) to Backrest (C) as shown, then use the allen wrench provided (3) to tighten the bolts (1) and washer (6) .

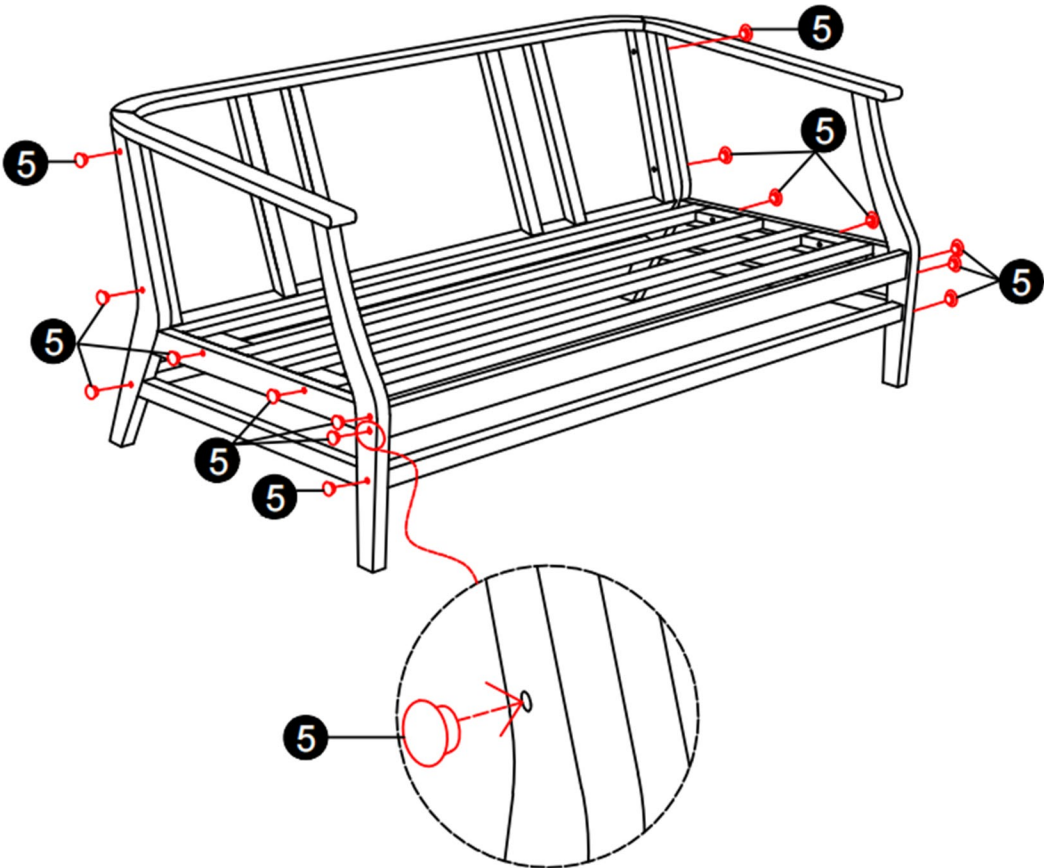


First add one flat washer on each bolt as shown, use the allen wrench provided to tighten all the bolts by 30-50% first, make sure that all bolts are aligned correctly before fully tightening.



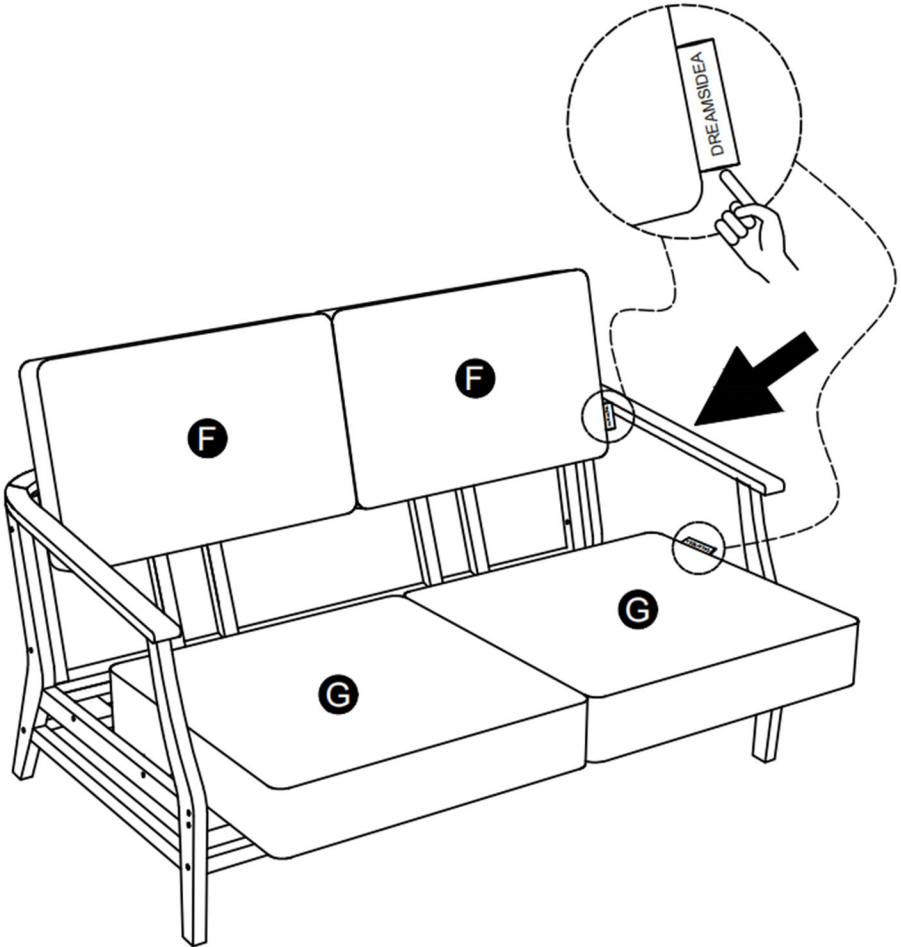
# step 8

Cover all the bolt holes on both legs with the Plastic Caps (5) as shown.



# step 9

Place the Back Cushion (F) and Seat Cushion (G) on the chair.



# step 10

Congratulations! You have finished the assembly, thank you again for choosing our product! Please enjoy!

