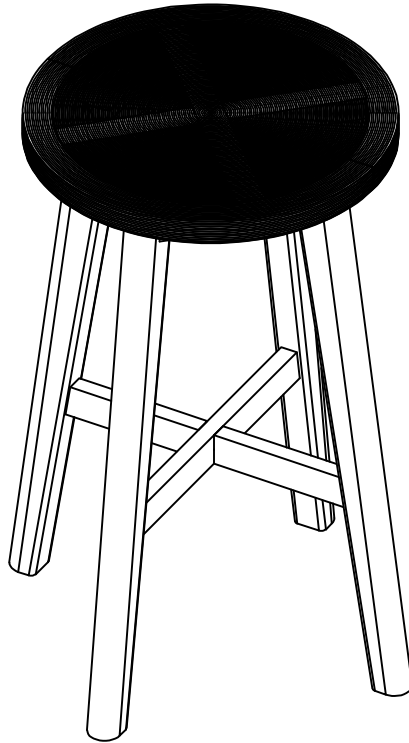


# Installation & Assembly

Side Chair

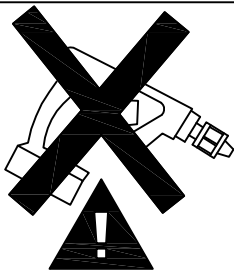
Stool

15"Lx15"Wx24"H

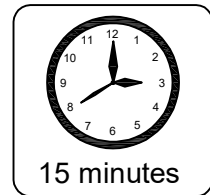
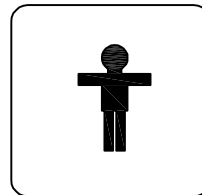


## REPLACEMENT PARTS

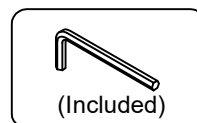
Please do not contact the company purchased from as we can help you faster.



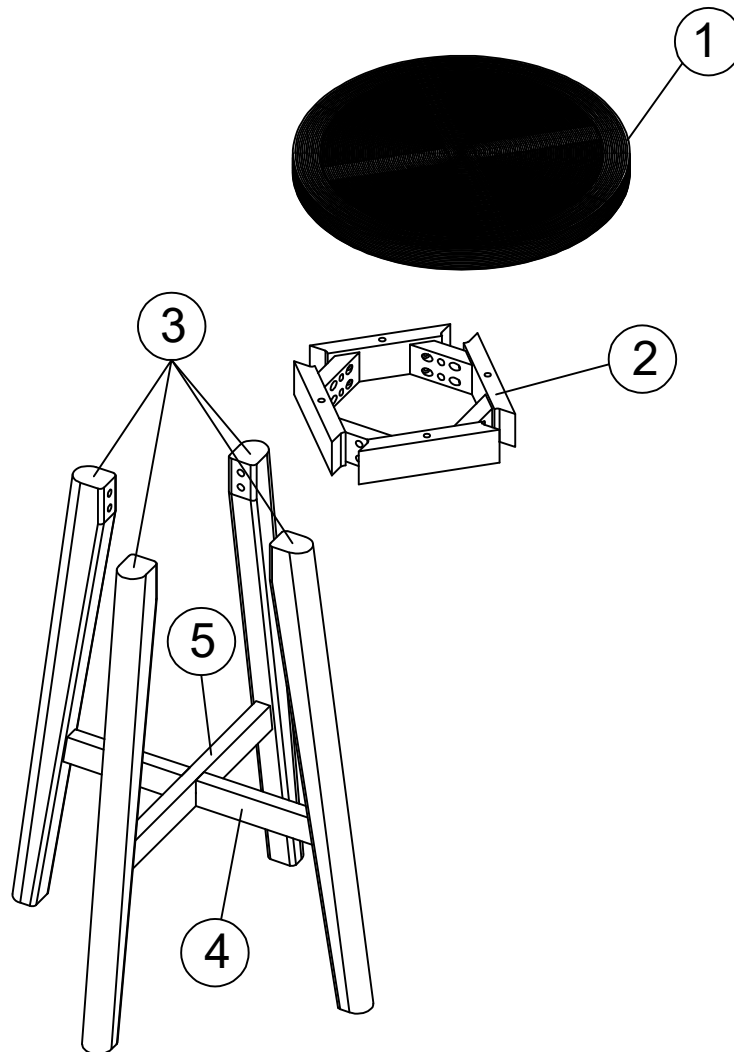
- . Use of power tool to assemble this product will invalidate any claim and damage this product making it unsafe !!!
- . Please assemble on a clean soft surface to avoid damage.




## Tools Required



# Part list - Calais Stool




Identifying the hardware-Identify the hardware using the illustrations below

**A**  **12**  
M6\*45mm Bolt

**B**  **04**  
M6\*55 Bolt

**C**  **01**  
M6\*25 Bolt

**D**  **12**  
M6 Washer

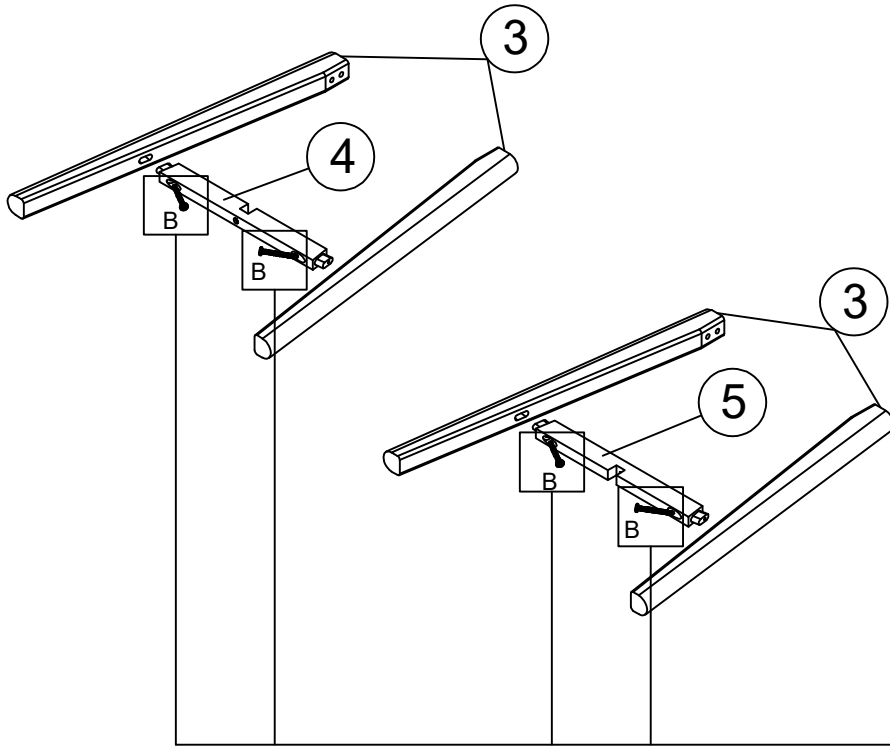
**E**  **12**  
Spring Washer

**F**  **01**  
Allen Key

# Step 01

B  04  
M6\*55mm Bolt

F  01  
Allen Key

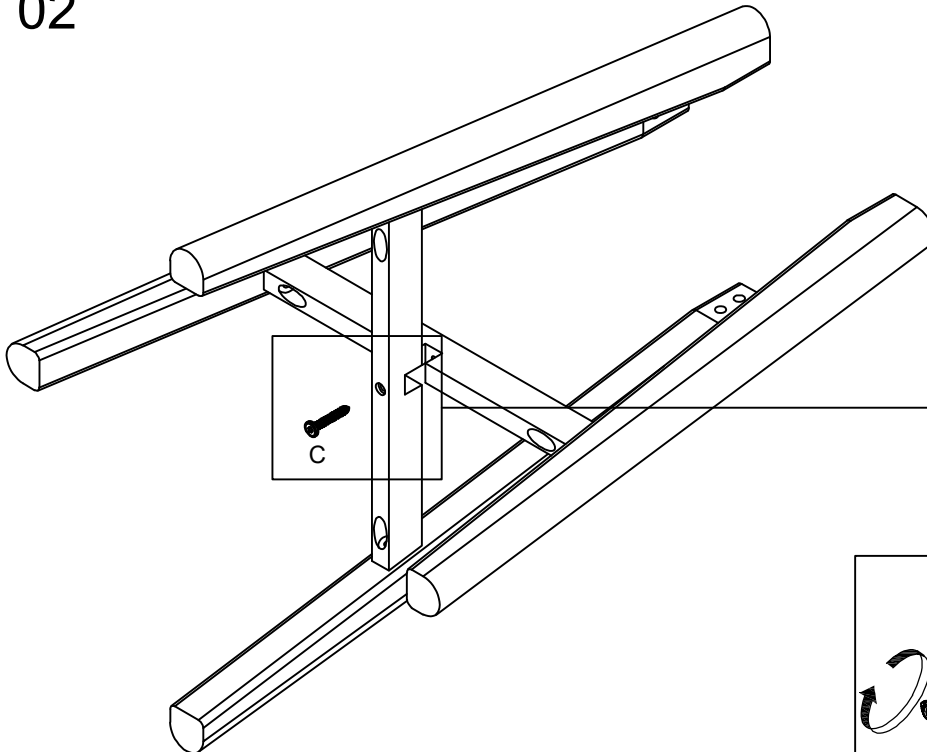


Note: Don't tighten bolts until completely assembly!

# Step 02

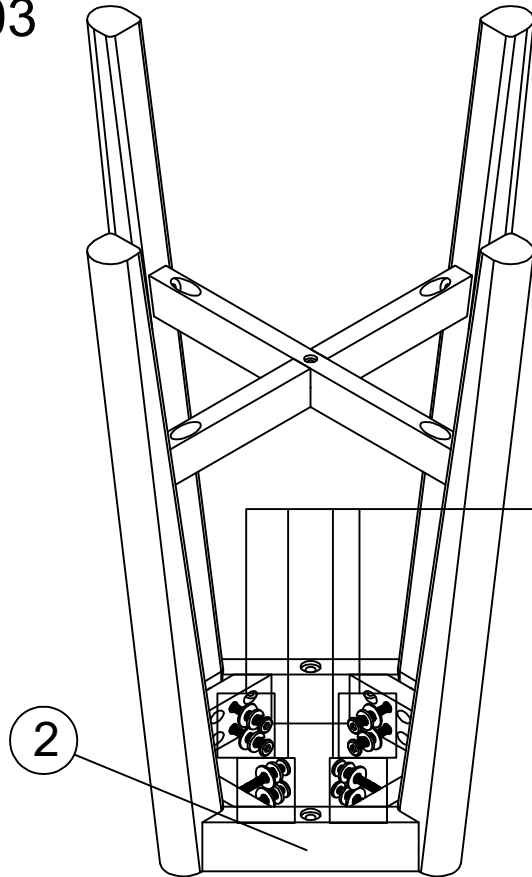
C  01  
M6\*25mm Bolt





F  01  
Allen Key

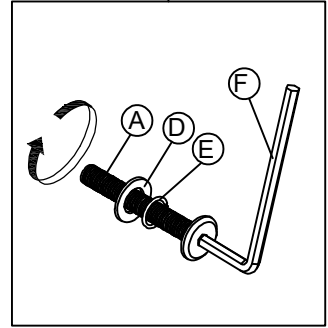


Note: Tighten bolts firmly at this time

# Step 03

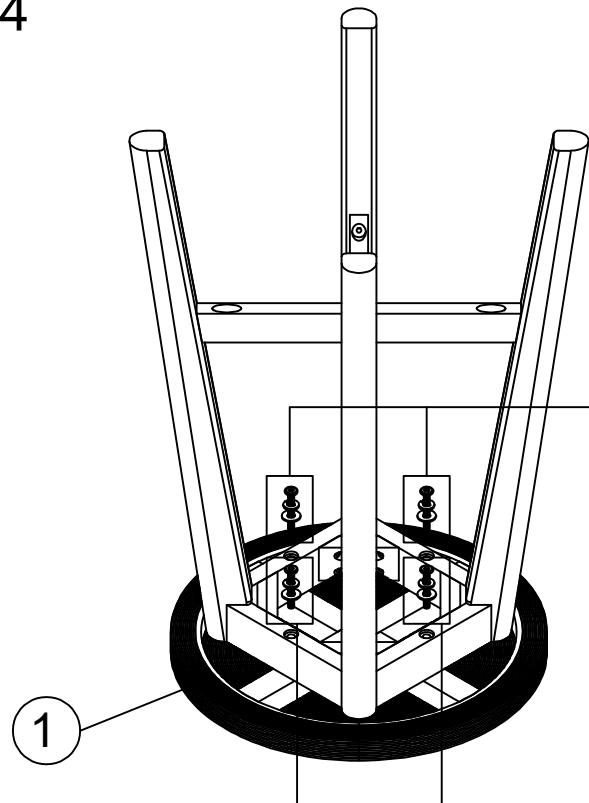






- A  08  
M6\*45mm Bolt
- D  08  
M6 Washer
- E  08  
Spring Washer
- F  01  
Allen Key

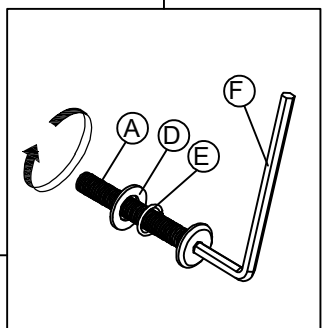


Note: Don't tighten bolts until completely assembly!

# Step 04



- A  04  
M6\*45mm Bolt
- D  04  
M6 Washer
- E  04  
Spring Washer
- F  01  
Allen Key



Note: Tighten bolts firmly at this time