

ASSEMBLY INSTRUCTIONS

Before you commence the assembly process, we recommend that you read these instructions thoroughly beforehand to familiarise yourself with the assembly process and to also check that you have the correct components. If for any reason you need assistance, you can find our contact details on the final page of these instructions.


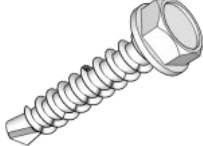
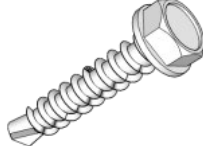
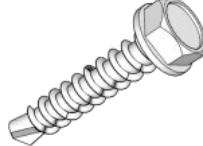
We strongly recommend that any assembly is carried out on an open flat, level surface if possible and with sufficient space. You will also require the assistance of at least 2 adults to complete assembly safely.

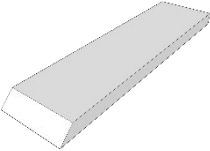
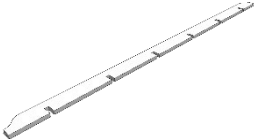
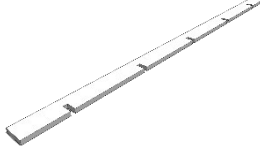
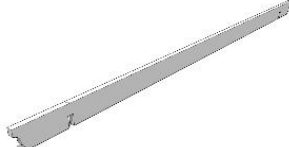
If for any reason you don't feel confident in completing this project, we would recommend consulting a qualified professional to undertake the work.

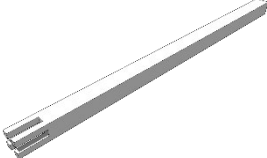
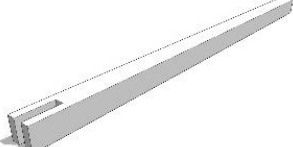
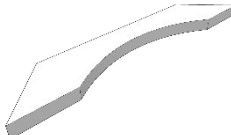
Tools required:

10mm socket, No2 Pozidriv screwdriver (or electric driver), step ladder or platform.



65mm woodscrews	100mm coachscrews	120mm coachscrews	200mm coachscrews
			

Cladding	Runners – One piece – Sculpted ends	Runners – Split – One square end*	Rafters
			

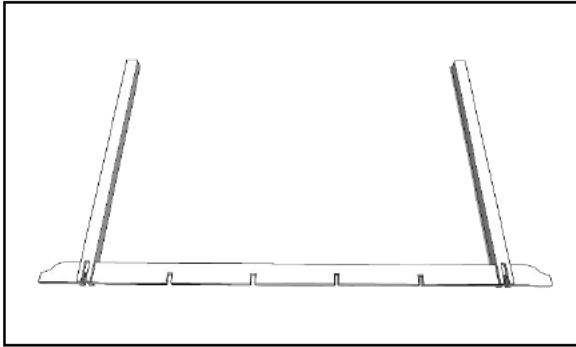
Double Slotted Posts	Single Slotted Posts (6 post versions only)	Braces	
			

*The assembly steps that follow are divided into 2 sections. The first section (Page 3) covers the assembly of a **one piece runner** pergola, the second section (Page 6) a **split runner post pergola**.

6 post pergolas 4.2 and 4.8M in length are **one piece runner**. All pergolas 5.4M in length and above are **split runner**.

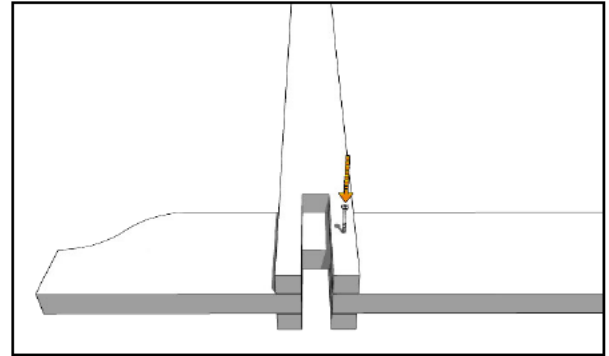
ONE PIECE RUNNER VERSION

Step 1



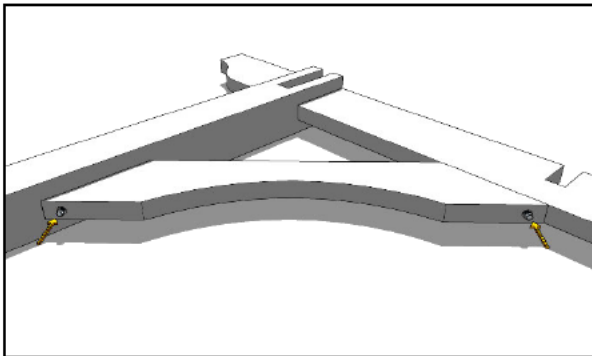
Lay one of the runners on a flat, level surface and then, using the end slots on the runner as a guide, slide the Double slotted posts on to it as shown.

Step 2



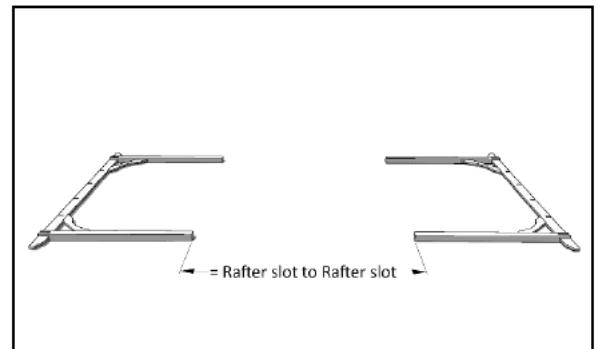
Make sure the post is correctly aligned and square to the runner before securing into place with a 65mm woodscrew. Repeat this process for the other end of the runner.

Step 3



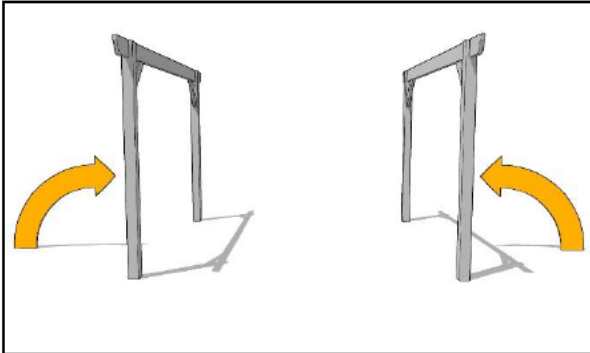
Add the braces, butting their angled faces against the post and underside of the runner and aligning it centrally against the post before fixing into place with a 100mm coachscrew through each end.

Step 4



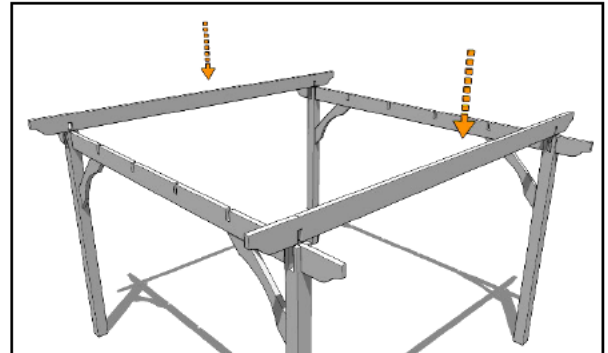
Now arrange the 2 "goalpost" structures you have built so that they are in (or as close to) their final location, with the bottoms of the posts facing each other and spaced around the same distance apart as the slots in the rafters (see image above).

Step 5



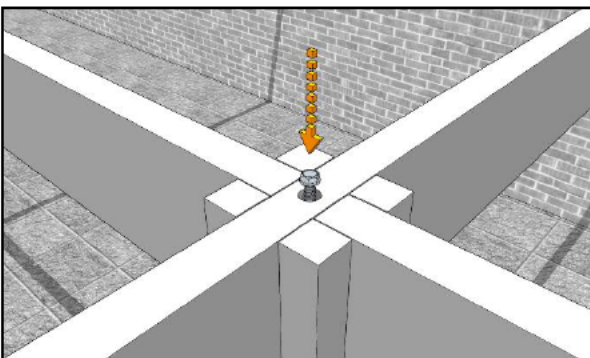
Get your assistants to carefully raise both of the "goalposts" into the vertical as shown....

Step 6



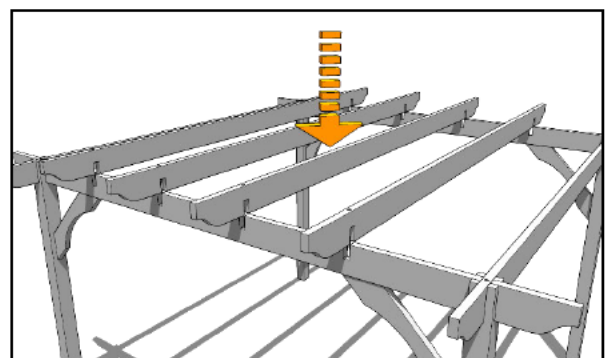
Drop the 2 outer rafters into place, making sure they are slotted fully into the posts.

Step 7



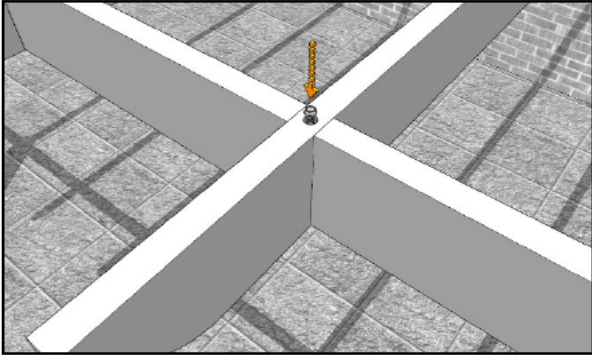
Check everything looks square and fully slotted in place before securing with a 200mm coachscrew driven down through the rafter and runner into each post.

Step 8



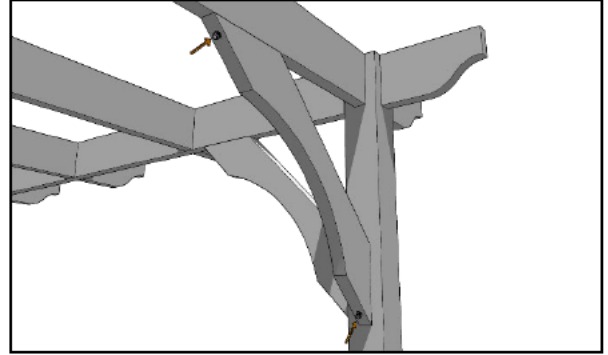
Drop the remaining rafters into their slots...

Step 9



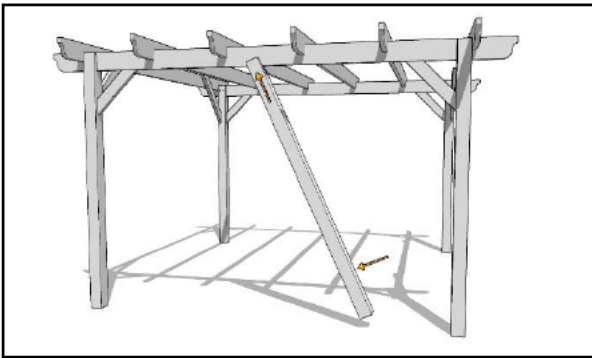
...and secure with a 120mm coachscrew at each end.

Step 10



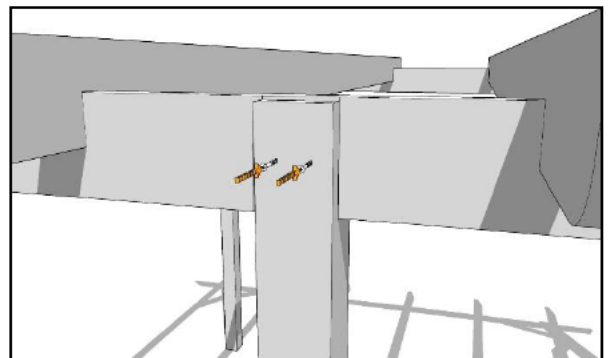
Add the remaining braces to the corner posts, fixing them as before with a 100mm coachscrew at each end.

Step 11



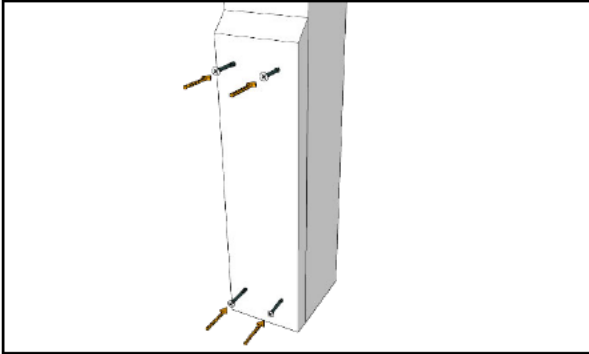
If you have a 6 post version add the extra posts by sliding them into position as shown, centred between the 2 central rafters...

Step 12



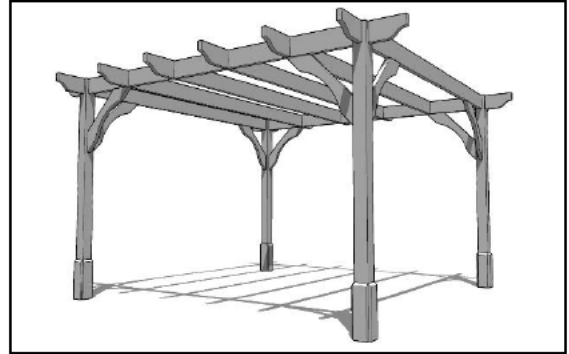
...before fixing to the runner with a pair of 65mm woodscrews.

Step 13



To attach cladding panels simply align as shown at the base of the post before screwing into place using 4 x 65mm woodscrews through the pre-drilled holes per panel. Repeat for each face of the post.

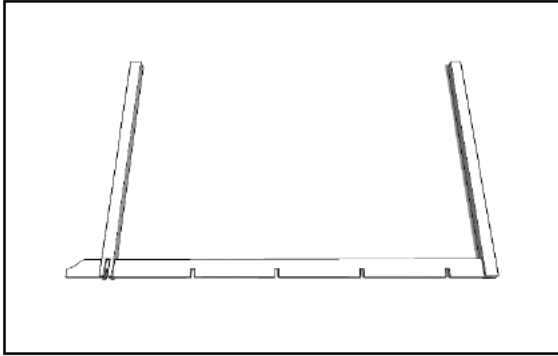
Step 14



Your pergola is now complete.

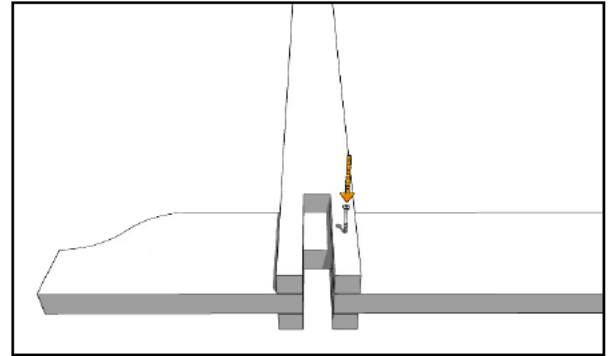
SPLIT RUNNER VERSION

Step 15



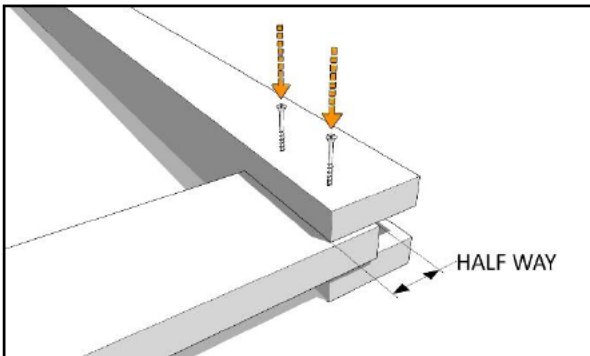
Lay one of the runners on a flat, level surface and then, using the end slot on the runner as a guide, slide the Double slotted post on to it as shown and a single slotted post over the other end.

Step 16



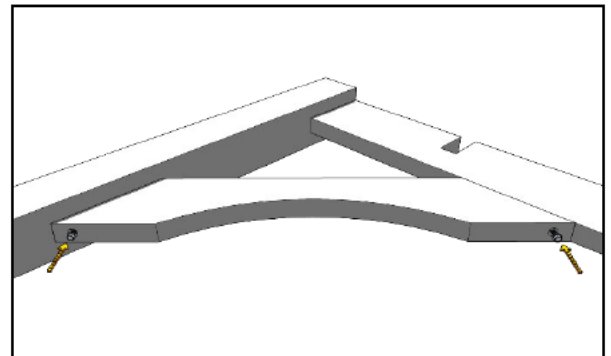
Make sure the Double slotted post is correctly aligned and square to the runner before securing into place with a 65mm woodscrew.

Step 17



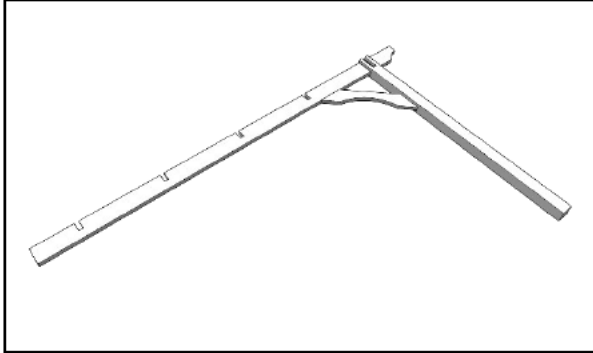
Align the Single slotted post at the other end of the runner as shown, so that the end of the runner fills half of the slot and the post is perpendicular to the runner. Fix in place with a pair of 65mm woodscrews.

Step 18



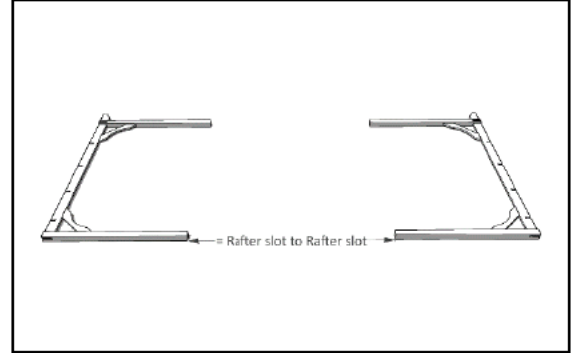
Add the braces, butting their angled faces against the post and underside of the runner and aligning it centrally against the post before fixing into place with a 100mm coachscrew through each end. Repeat Steps 15-18 and so you have a mirror copy of the "Goalpost" already assembled.

Step 17



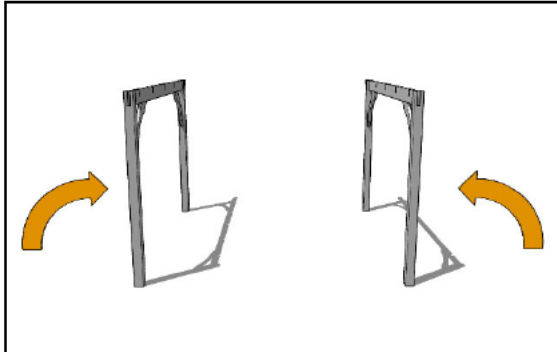
Using the remaining Runners, Double slotted posts and Braces, construct a pair of single post, partial "Goalposts" using the same methods outlined in Steps 15-18.

Step 18



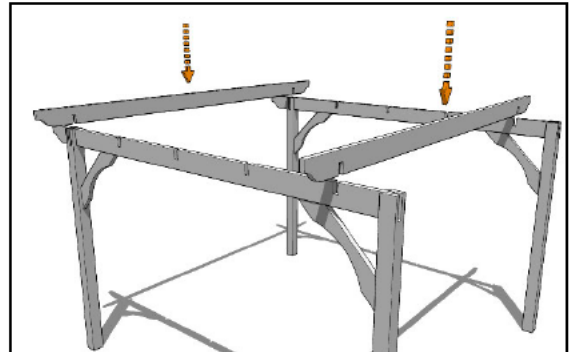
Arrange the 2 complete "goalpost" structures first assembled in steps 15-18 so that they are in (or as close to) their final location, as a mirror pair with the bottoms of the posts facing each other and spaced around the same distance apart as the slots in the rafters (see image above).

Step 19



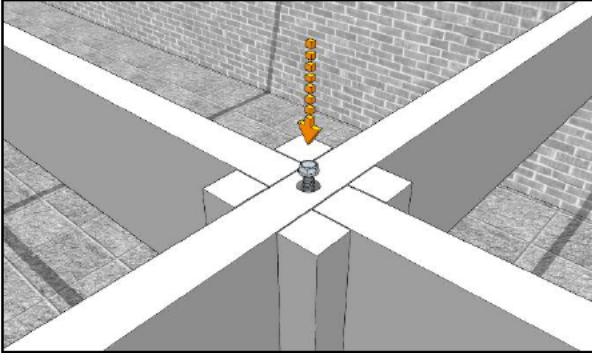
Get your assistants to carefully raise both of the "goalposts" into the vertical as shown...

Step 20



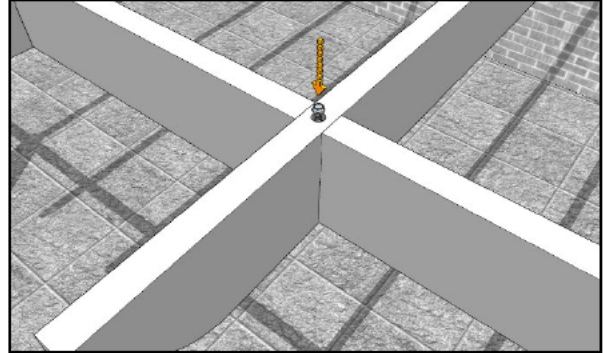
Drop one outer rafter into the post slots and one intermediate rafter into place at the other end of the structure.

Step 21



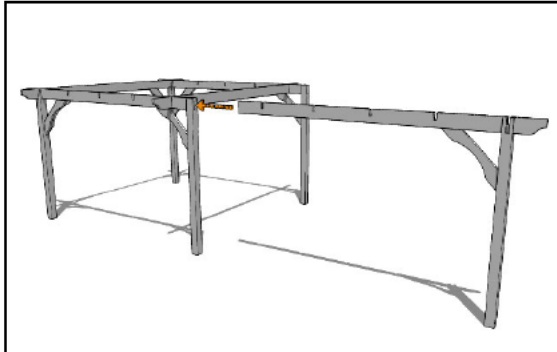
Check everything looks square and fully slotted in place before securing the outer rafter with a 200mm coachscrew driven down through the rafter and runner into the post at each end.

Step 22



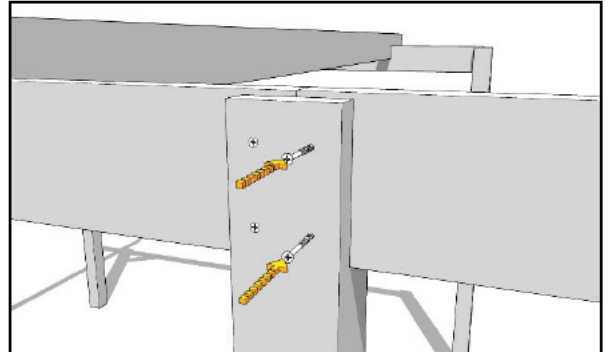
Secure the intermediate rafter with a 120mm coachscrew driven down through the rafter into runner at each end.

Step 23



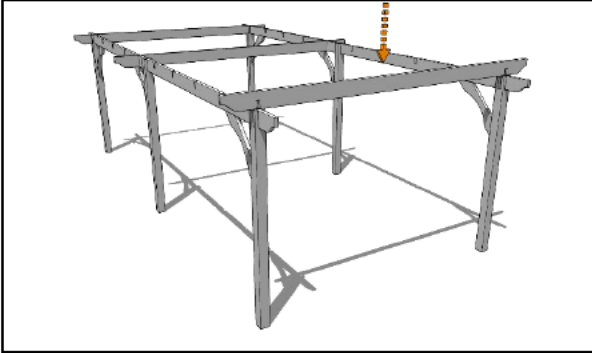
Manoeuvre a partial "goalpost" assembly from Step 17 into place so that the runner end fully locates in the centre post slot....

Step 24



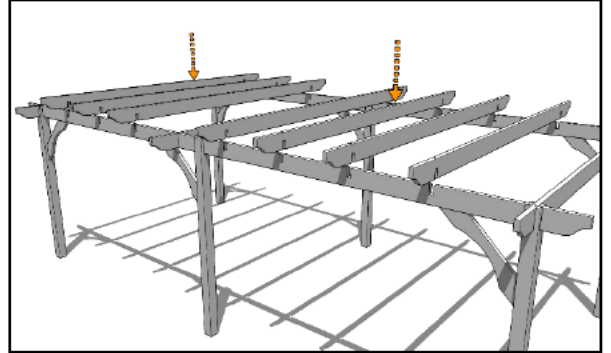
...and secure in place with 2 of the 65mm woodscrews.

Step 25



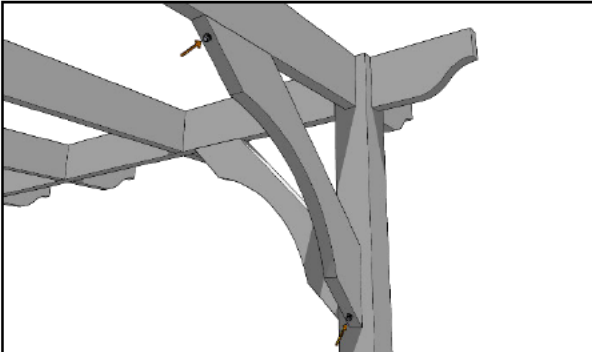
Add the second partial goalpost to the other side of the structure and drop a rafter into the post slots securing it into place with the remaining 2 x 200mm coachscrews, as you did in Step 21.

Step 26



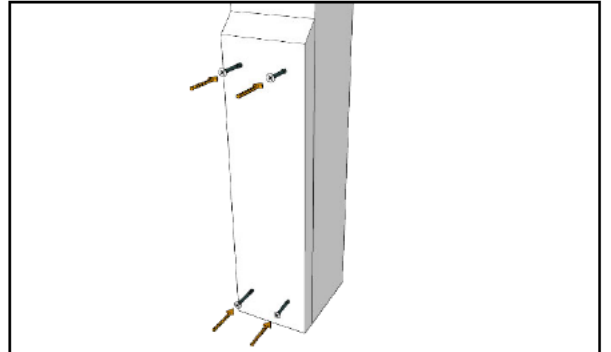
Drop the remaining rafters into their slots and secure with a 120mm coachscrew at each end.

Step 25



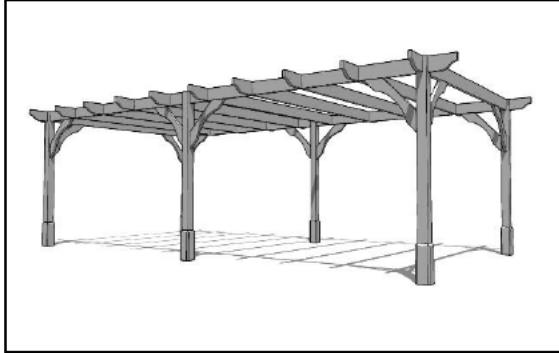
Add the remaining braces to the corner posts and centre post, fixing them as before with a 100mm coachscrew at each end.

Step 26



To attach cladding panels simply align as shown at the base of the post before screwing into place using 4 x 65mm woodscrews through the pre-drilled holes per panel. Repeat for each face of the post.

Step 27



Your pergola is now complete.

WE HOPE THAT YOU FOUND YOUR PRODUCT QUICK AND EASY TO ASSEMBLE BUT IF NOT AND YOU REQUIRE ANY FURTHER ASSISTANCE OR HAVE ANY QUESTIONS YOU CAN CONTACT US

Rutland County Garden Furniture Ltd, Ashbourne House, 2 Dovecote Meadows,
Aslackby, Sleaford, Lincs, NG34 0HZ.
Company No: 7670072 VAT No: 151744027