

NOTICE

*Please make sure that you have all parts indicated and they are in good condition before you begin assembly of this item. Refer to part list and hardware list below for guidance.

*This item should be assembled on a soft surface to prevent scratching the finish during assembly.

*This item may require periodic tightening.

*If you are having difficulty, our friendly Customer Care team is always here to help.

PREPARATION

* Before beginning assembly of product, make sure all parts are present. Compare parts with part contents list and hardware contents list.




* If any parts is missing or damaged, do not attempt to assemble the product.

*Estimated Assembly Time: 3 minutes.

CARE AND MAINTENANCE

Blot up spills immediately, use coasters on table tops under beverages. Use trivets or mats under hot dishes or cookware. Clean with warm water and dry surface immediately after cleaning. Do not use cleaners that contain acid such as bathroom cleaners, grout cleaner, and tile cleaners. Do not use abrasive cleaners in either dry or liquid forms.

Part List and Hardware List

PIECE	DESCRIPTION	PICTURE	QTY	CARTON CALL
A	Stainless Steel Frame		1X	1 of 2
B	Glass Table Top		1X	2 of 2
C	Suction Cup		6X	1 of 2

Owner Manual

DIMENSIONS: 53.94"RX29.13"H



WARNING



WEIGHT CAPACITY: 200 LBS

WARNING: DO NOT STAND ON TABLE

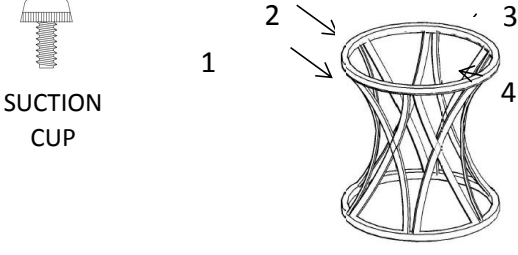
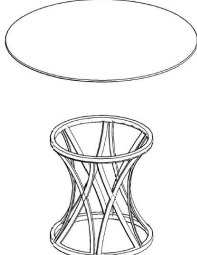

PREPARATION

*Before beginning assembly of product, make sure all parts are present. Compare parts with package contents list and hardware contents list.

*If any part is missing or damaged, do not attempt to assemble the product.

*Estimated Assembly Time: 3 minutes.

*If you are having difficulty,our friendly Customer Care team is always here to help.

 <p>SUCTION CUP</p>		
<p>STEP1 PLACE THE 4 PIECES OF SUCTION CUPS(C) ONTO THE STAINLESS STEEL FRAME(A) AS SHOWN</p>	<p>STEP2 CAREFULLY PLACE THE GLASS TABLE TOP(B) ONTO THE STAINLESS STEEL FRAME(A)</p>	<p>STEP3 CHECK FOR STABILITY. YOUR TABLE IS NOW READY FOR USE</p>