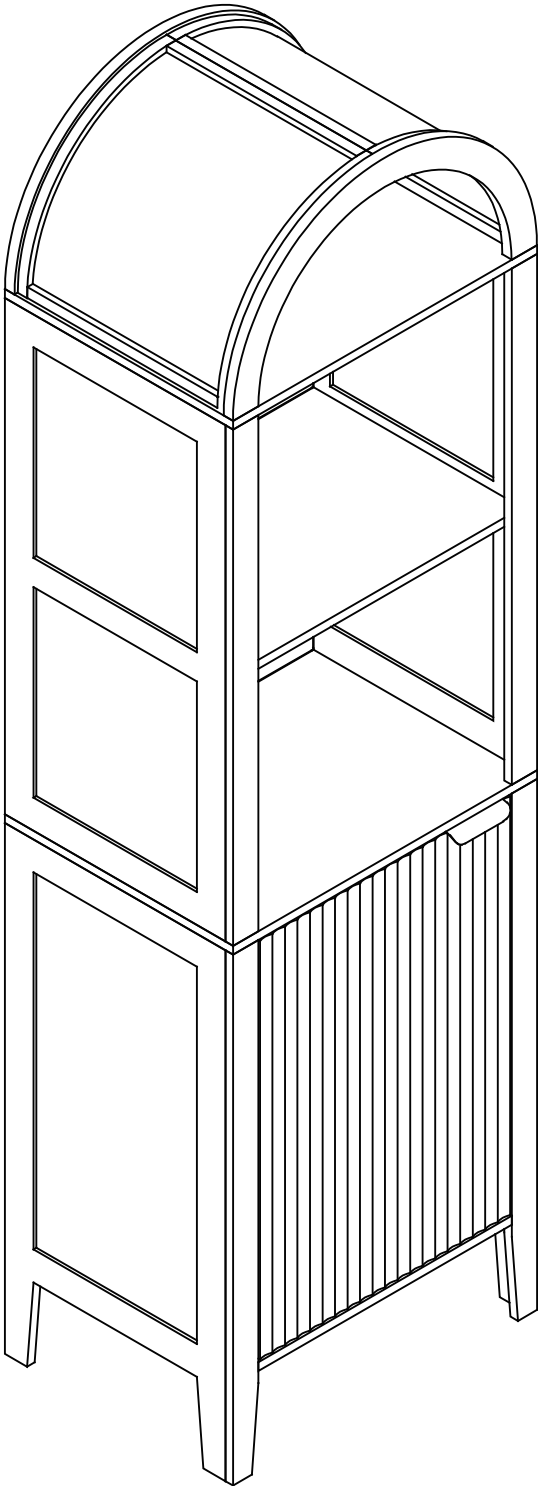


# Bookshelf

ASSEMBLY INSTRUCTIONS



## General Guidelines

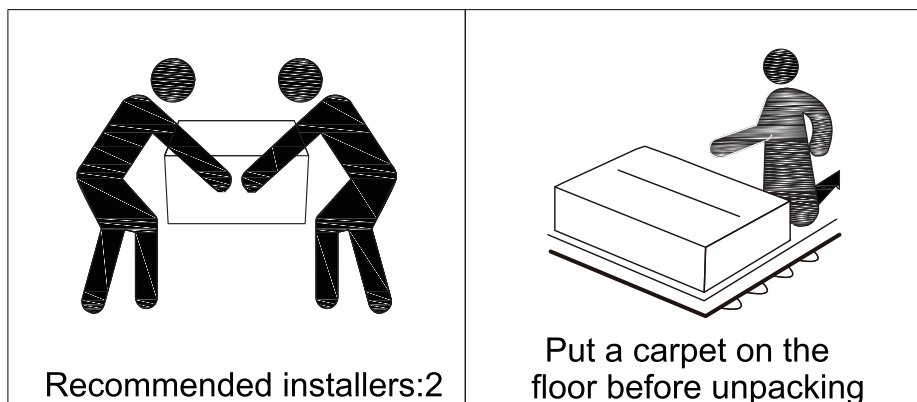
- \* Please read the following instruction carefully and use the product accordingly.
- \* Please keep this manual and hand it over when you transfer the product.
- \* This summary may not include every detail of all variations and considered steps. Please contact us when further information and help are needed.

## Notes

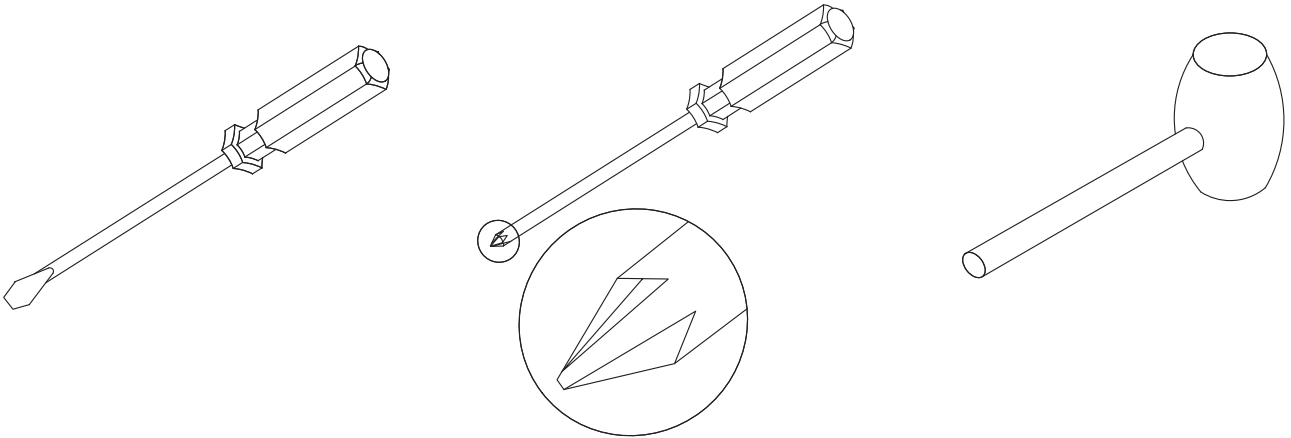
- \* The product is intended for indoor use only. The product must be assembled and used in accordance with the provisions of the manual. Personal injury and/or damage to product may occur if products are used outside of their intended purposes and/or if products have been changed/modified from their original design. The seller does not assume any responsibility or liability with respect to any injury/damage caused by incorrect assembly or improper use.
- \* If there are any defective or missing parts after unpacking, please cease assembly immediately and contact us.
- \* Please wear gloves during the assembly and/or disassembly process to avoid scratches from any sharp edges..
- \* Please place this item on level, solid ground during use.
- \* Avoid long-term exposure to humid environments to prevent mildew.
- \* Keep the product away from fire sources and high temperatures. Do not expose the product to direct sunlight.
- \* Do not place any hot objects on the surface of the product.
- \* **Do not fully tighten the screws during initial assembly. Fully tighten screws only once all pieces which are correctly assembled**

## Warnings

- \* Children are not allowed to assemble the product. During assembly, keep all any small parts out of the reach of children as they may be fatal if swallowed or inhaled.
- \* Children are forbidden to climb or play on the product to avoid serious bodily injury caused by the toppling.
- \* Keep plastic packing bags out of reach of children to avoid any potential danger, such as suffocation.
- \* The product should be attached to the wall with the included anti-tipping kit to prevent personal injury caused by accidentally tipping over.



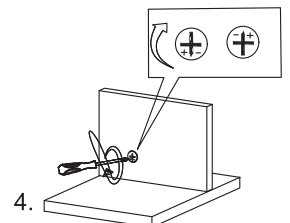
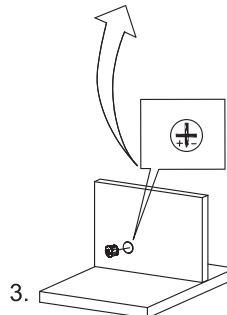
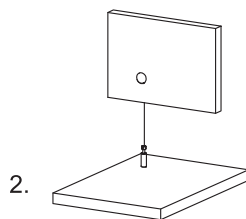
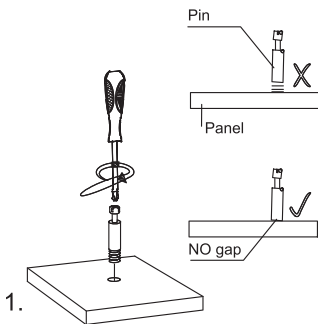
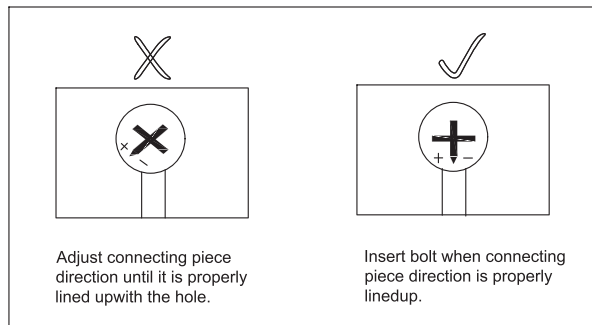
## ASSEMBLY TOOLS REQUIRED (NOT INCLUDED)



Bolt



Connecting piece



# Hardware Provided

A



X 34+2

B



X 34+2

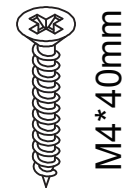
C



M6\*30mm

X 22+2

D



M4\*40mm

X 9

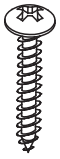
E



M3.5\*12mm

X 2

F



X 8

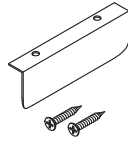
G



M6\*20mm

X 4

H



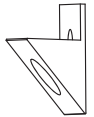
X 1

I



X 2

J



X 16+1

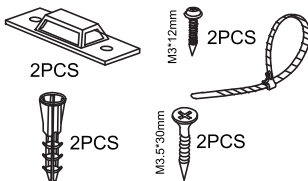
K



M3\*16mm

X 18+1

L



2PCS

2PCS

M3\*12mm

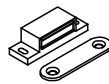
2PCS

M3.5\*30mm

2PCS

X 2

M



X 1

N



X 4

O



M6\*50mm

X 4

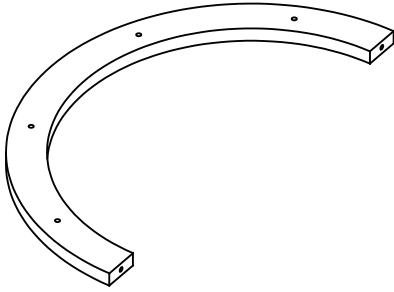
P



X 22

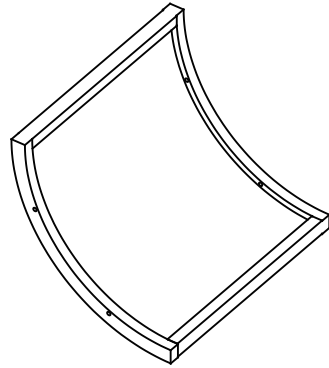
# Parts Identification

1



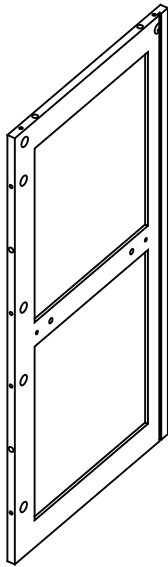
x1

2

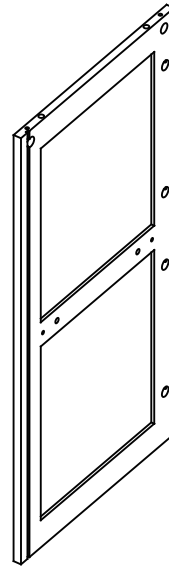


x2

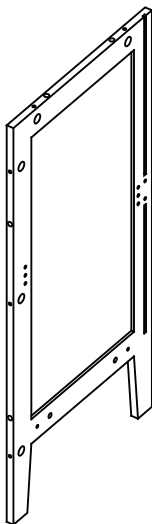
3



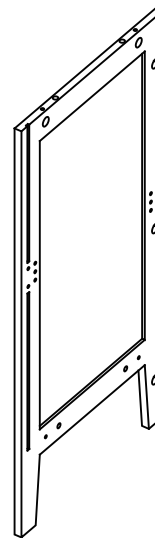
4



5

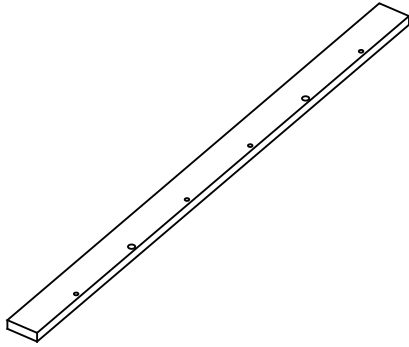


6



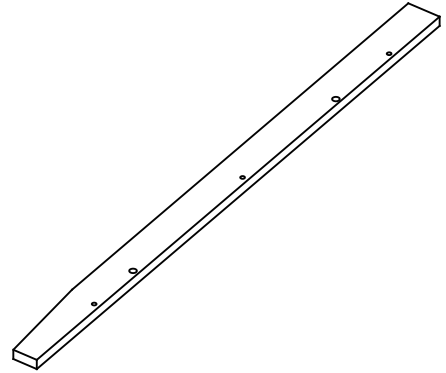
# Parts Identification

7



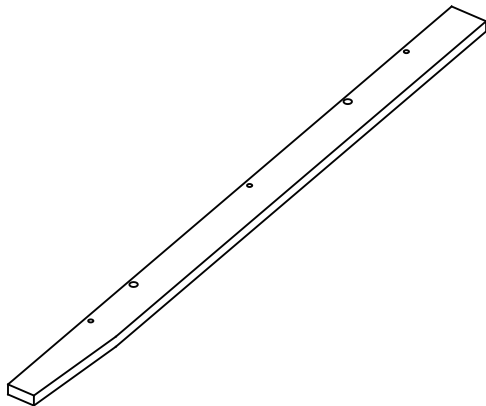
x2

8



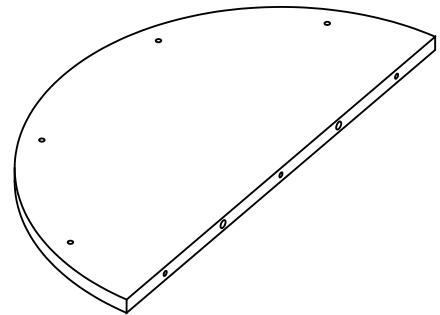
x1

9



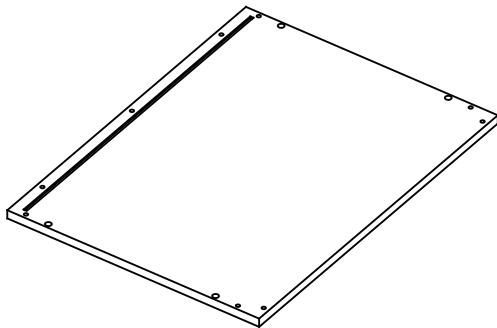
x1

10



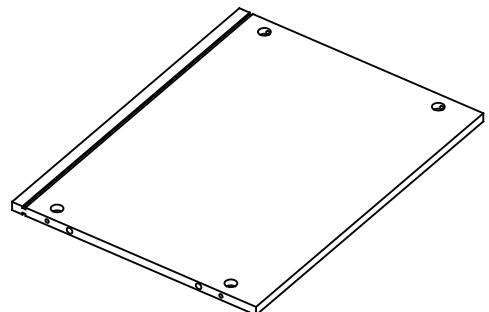
x1

11



x1

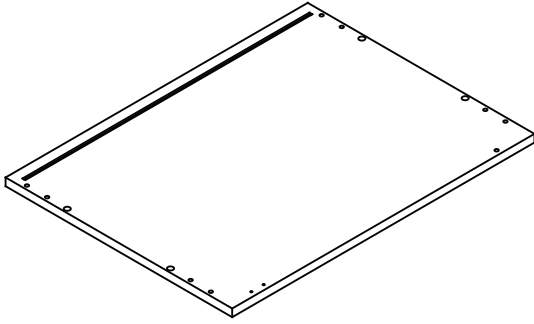
12



x1

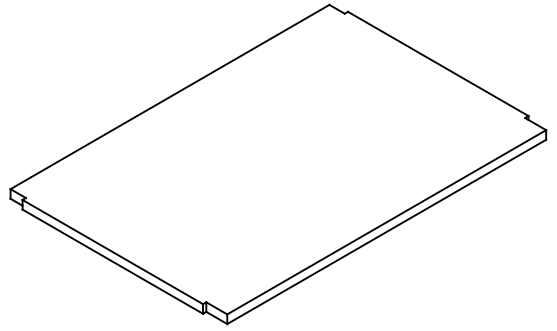
# Parts Identification

13



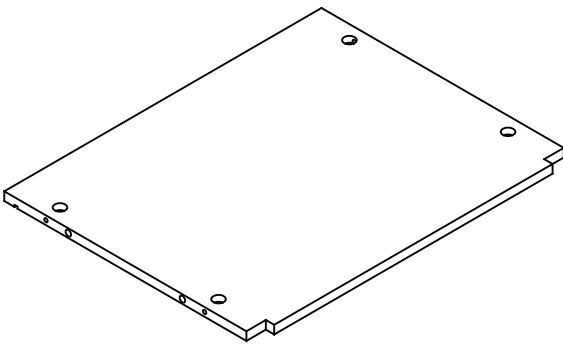
x1

14



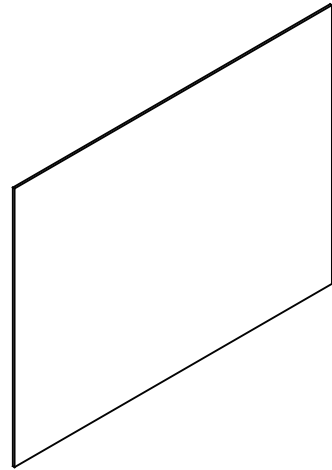
x1

15



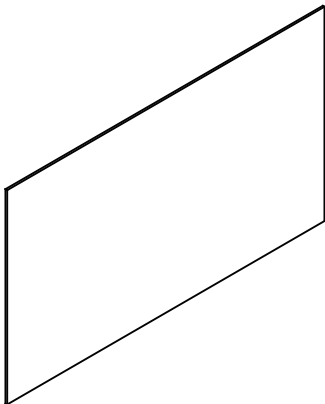
x1

16



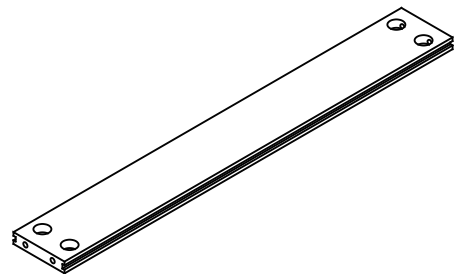
x2

17



x2

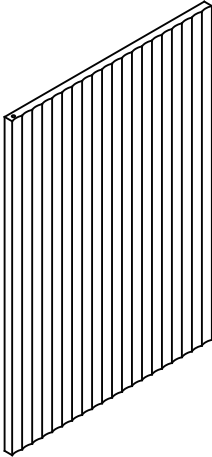
18



x1

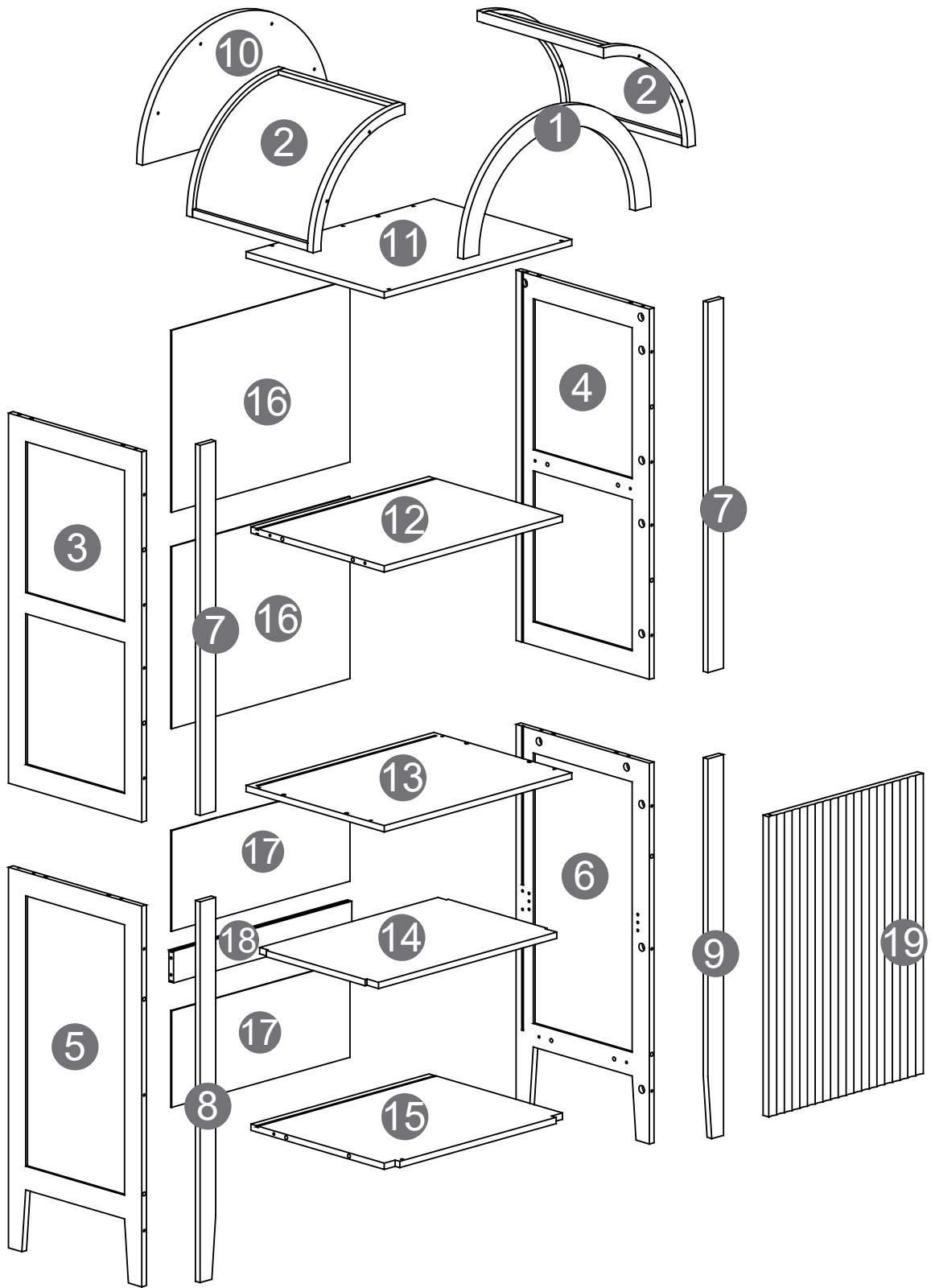
# Parts Identification

19

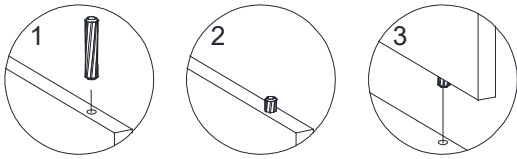
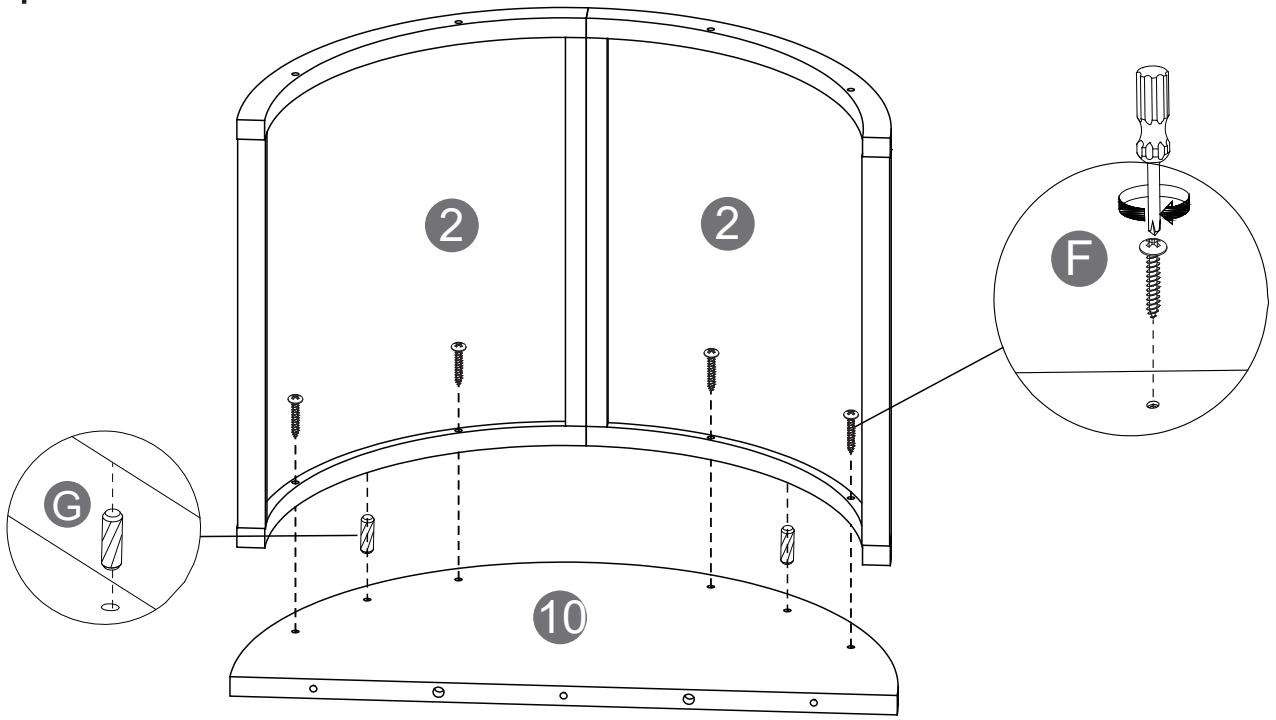



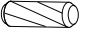
x1

# Exploded View

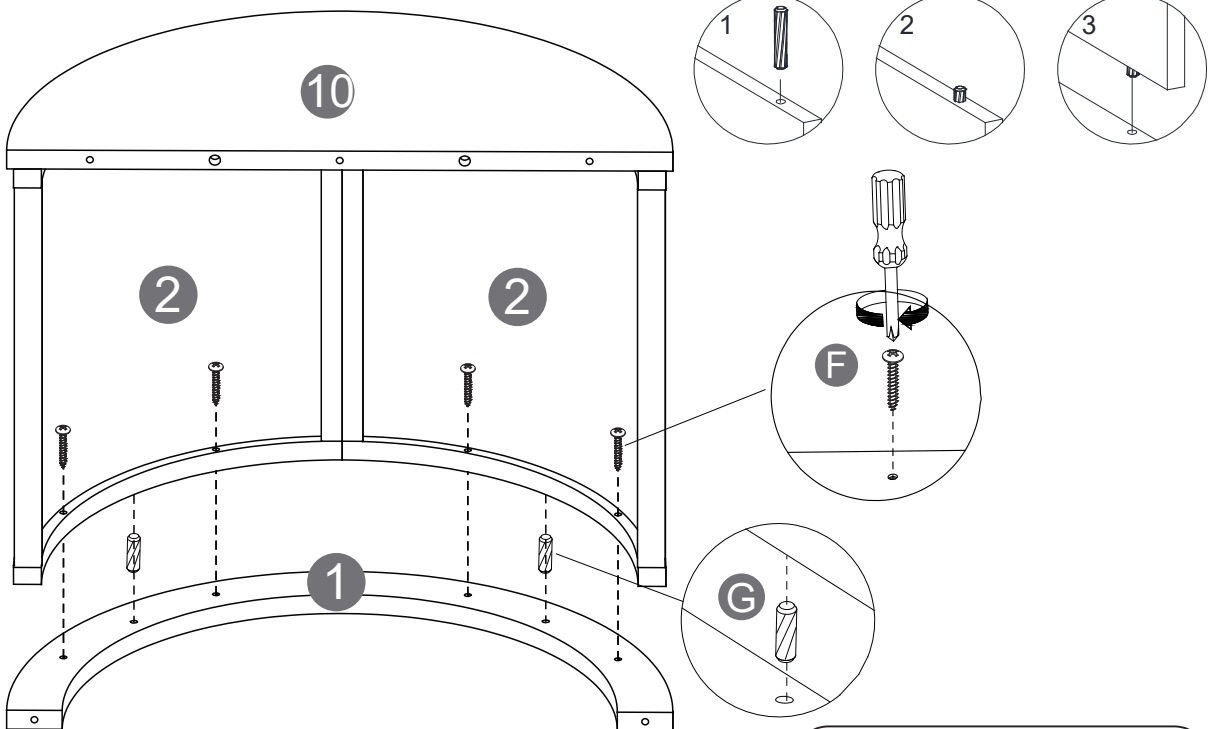




# Step 1



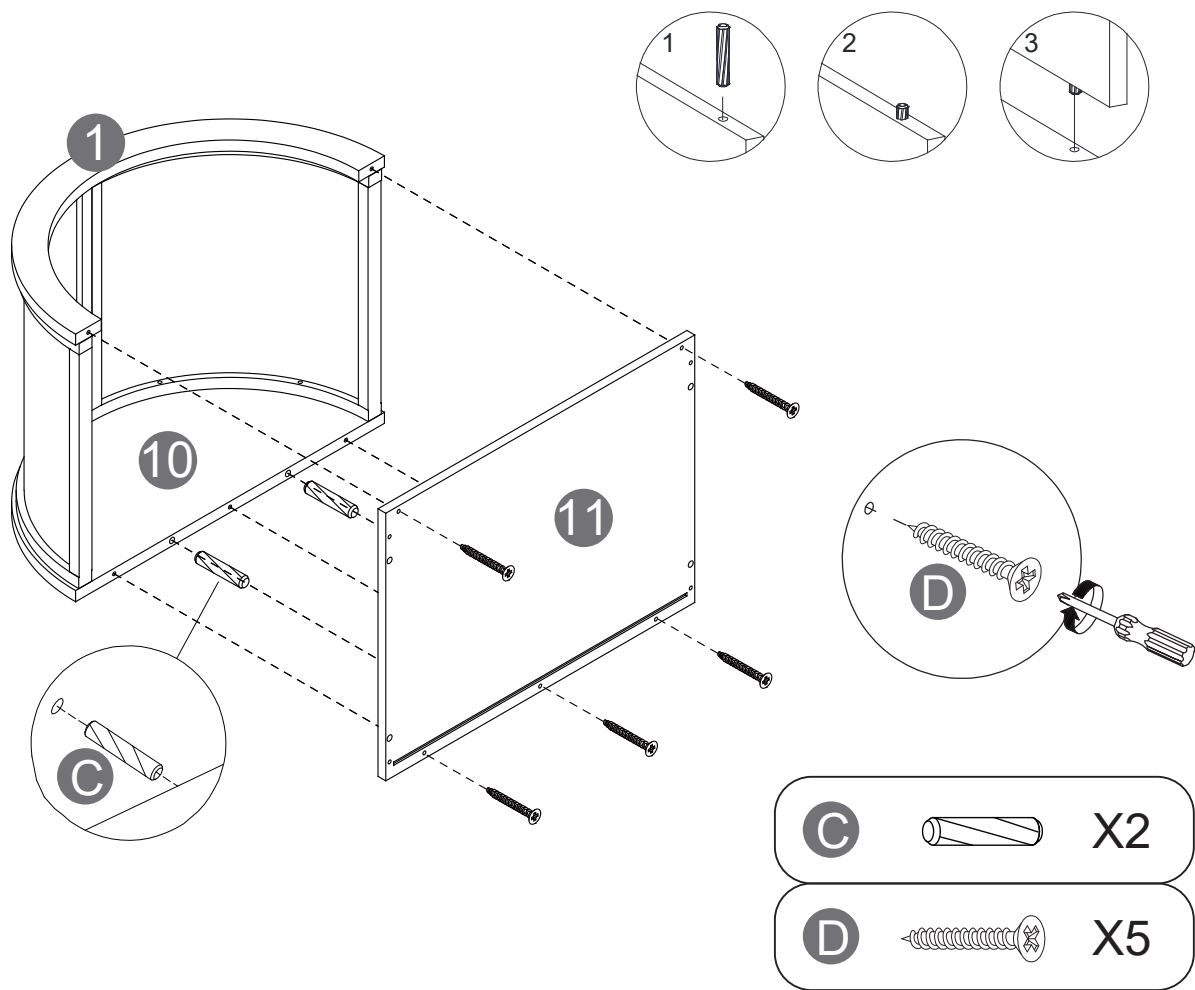
<b>F</b>		<b>X4</b>
<b>G</b>		<b>X2</b>

# Step 2

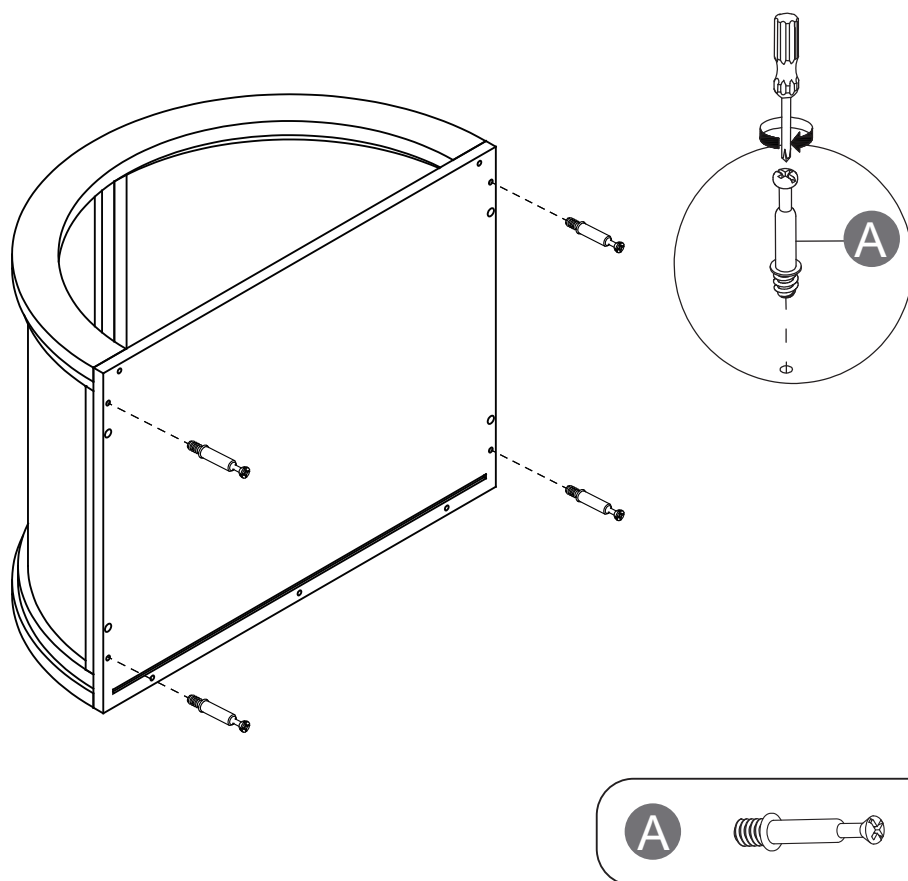


<b>F</b>		<b>X4</b>
<b>G</b>		<b>X2</b>

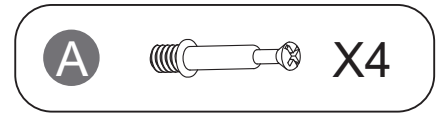
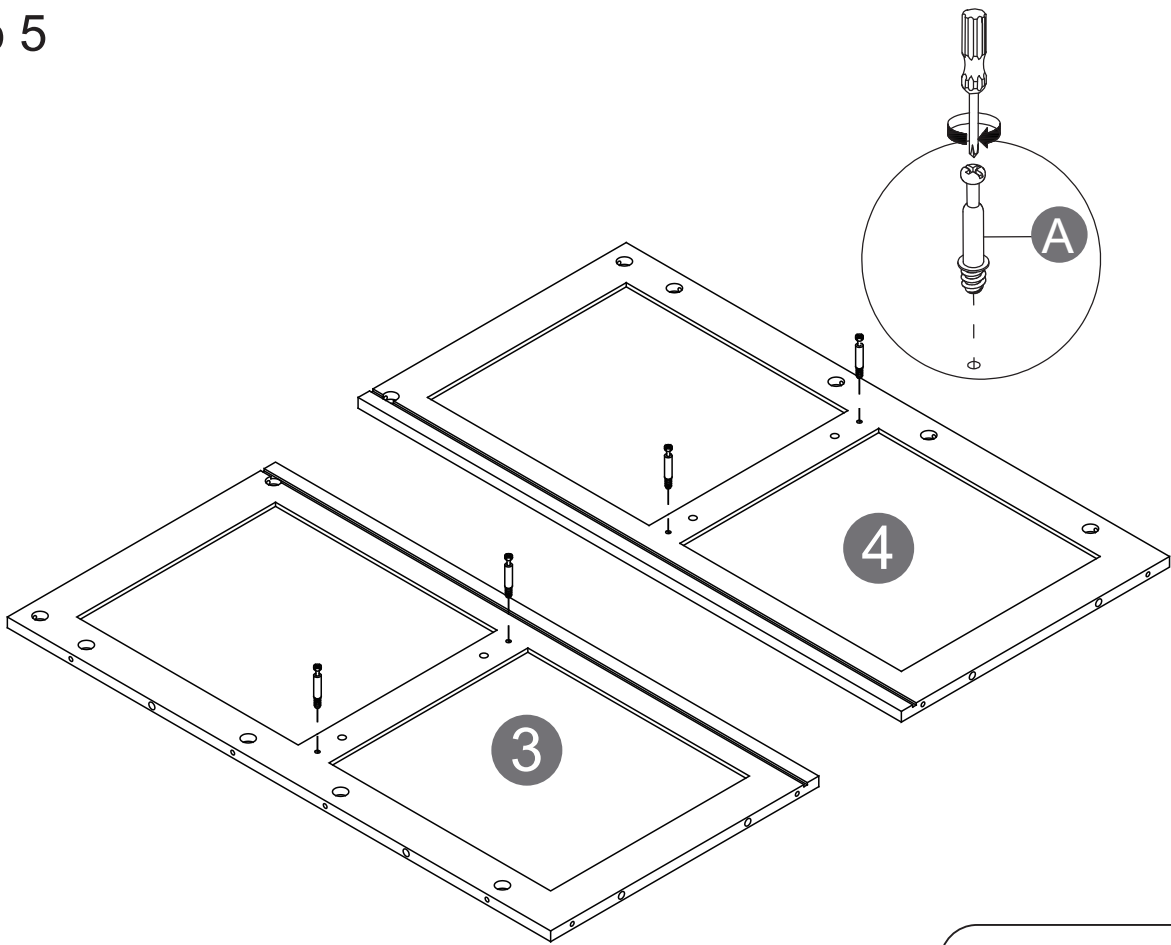
# Step 3



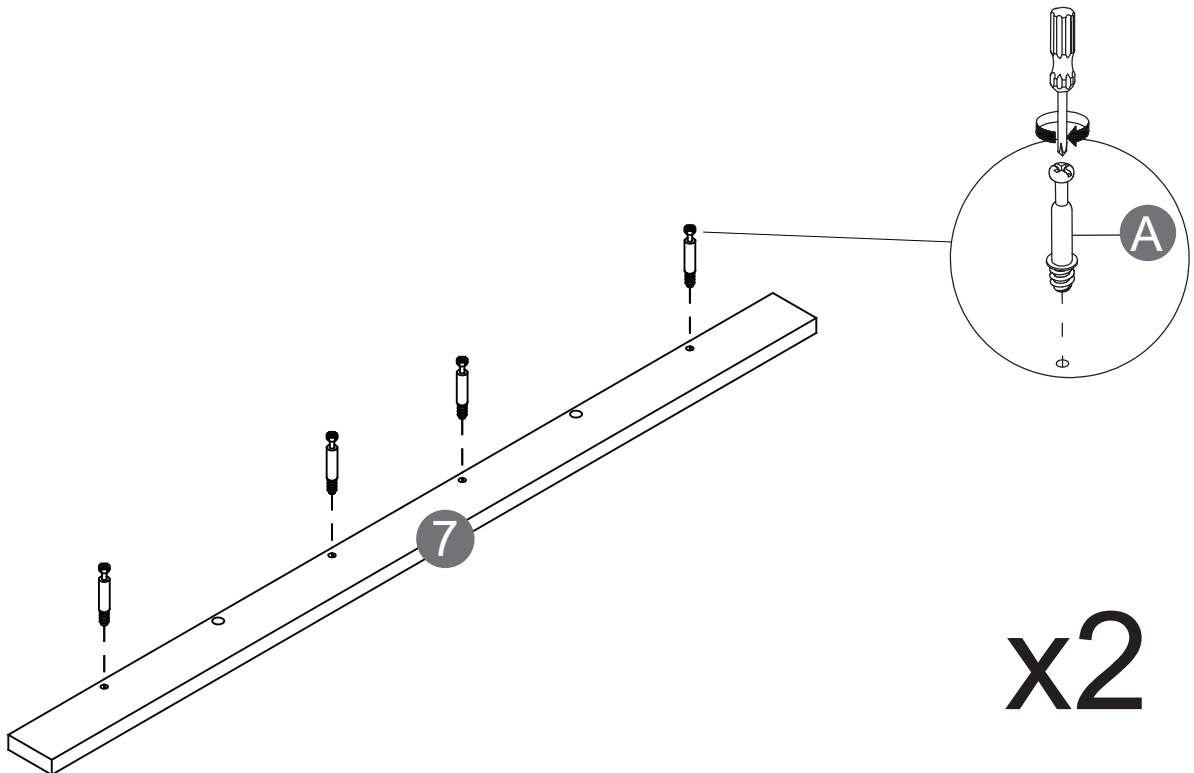
# Step 4



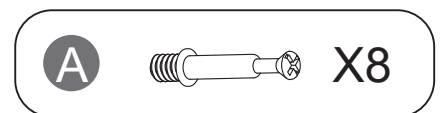
# Step 5



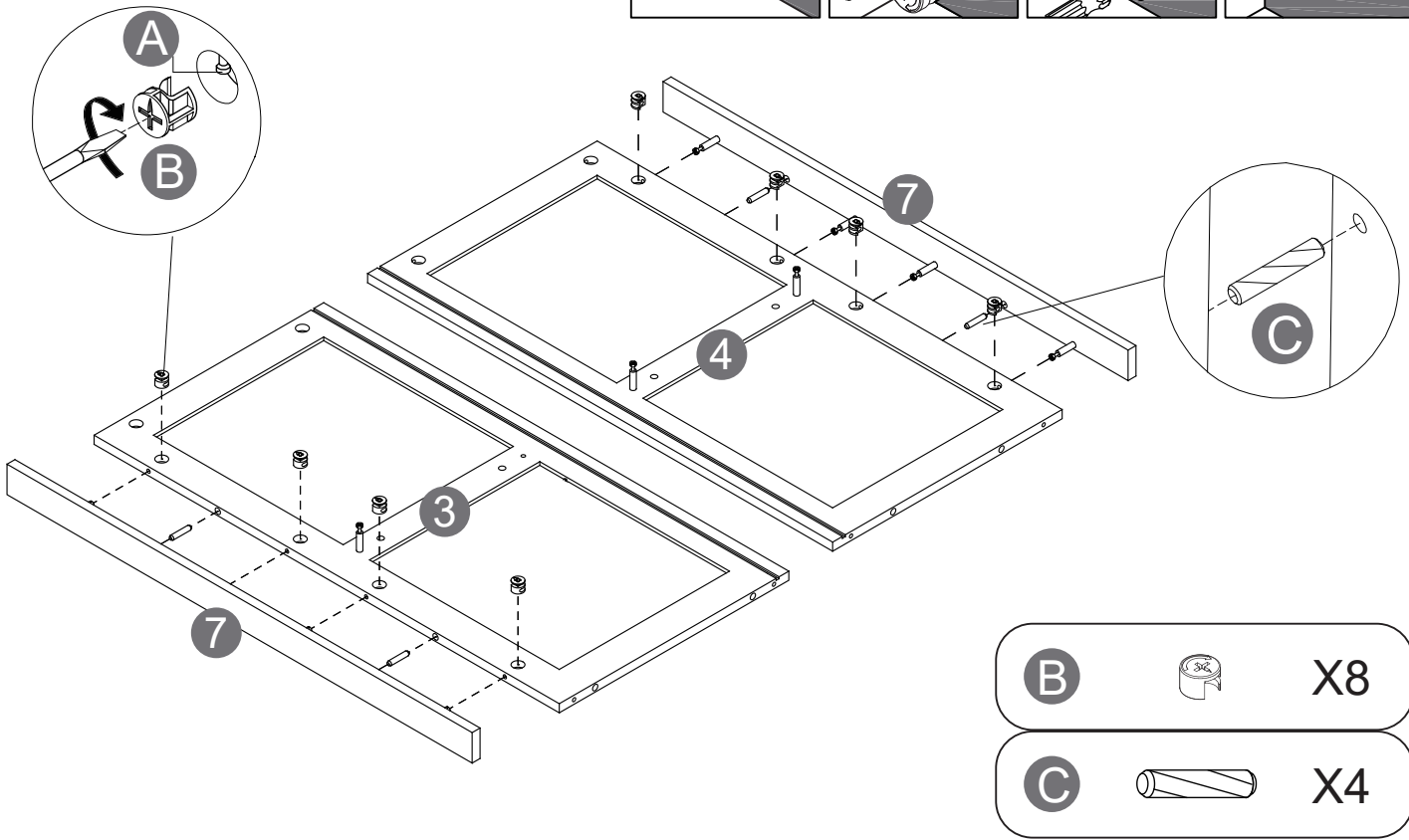
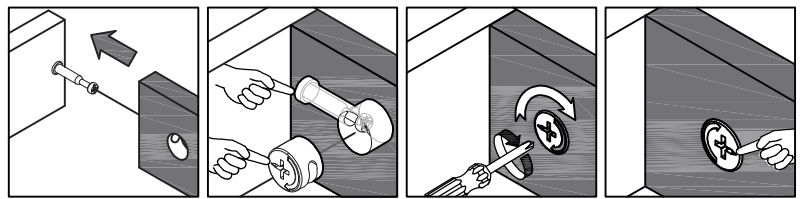
# Step 6



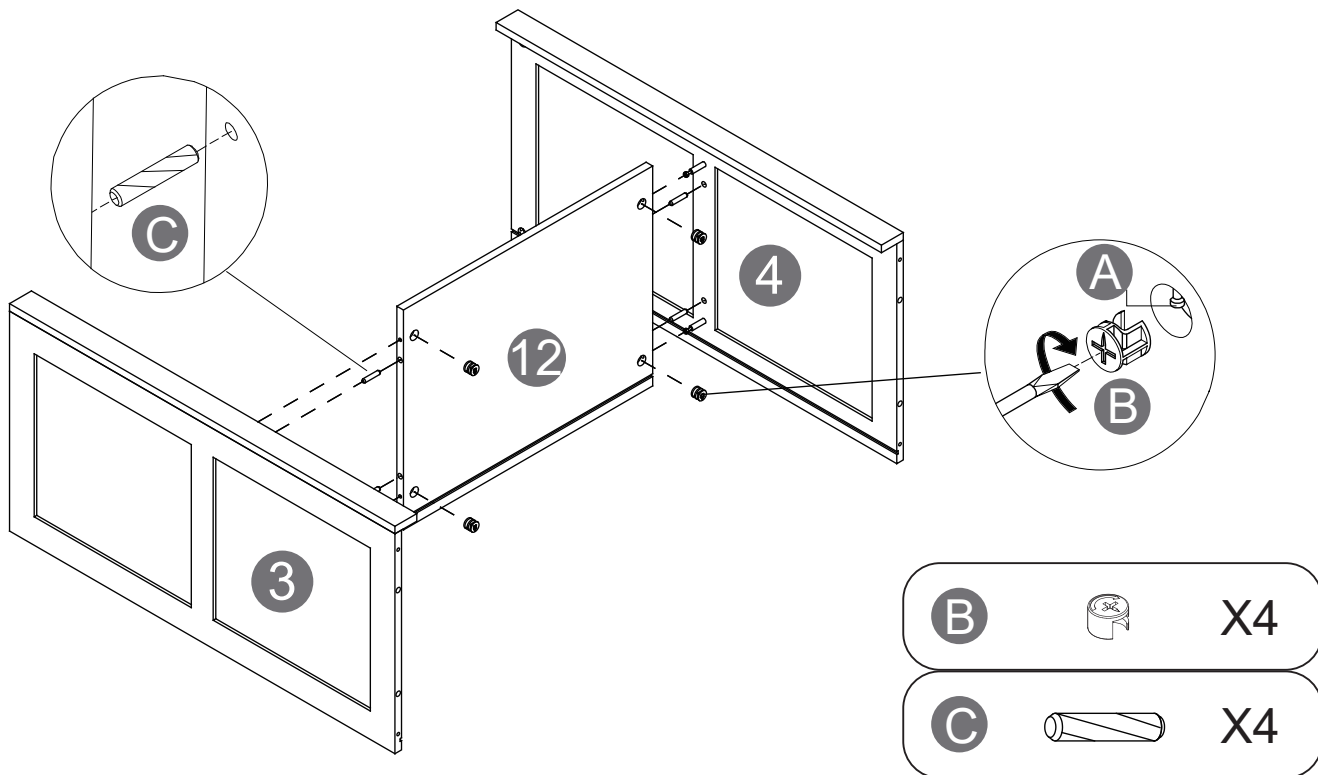
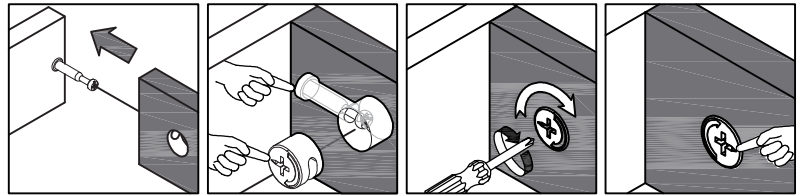
x2



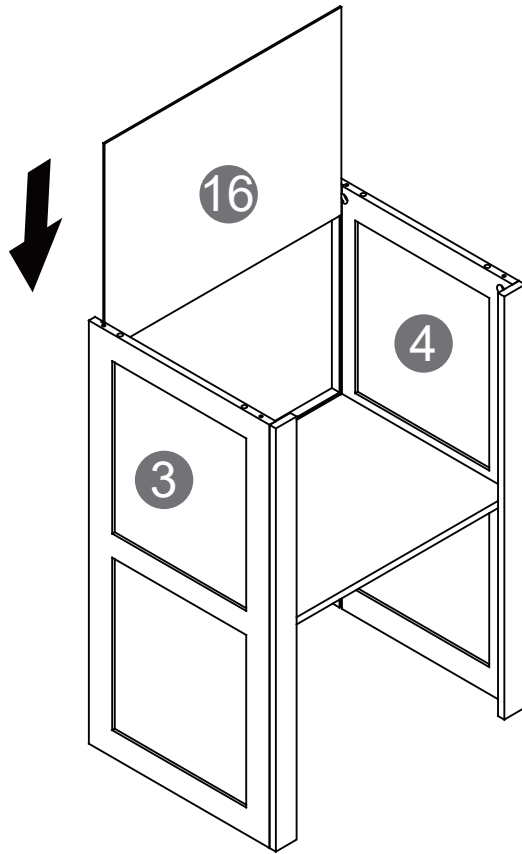
# Step 7



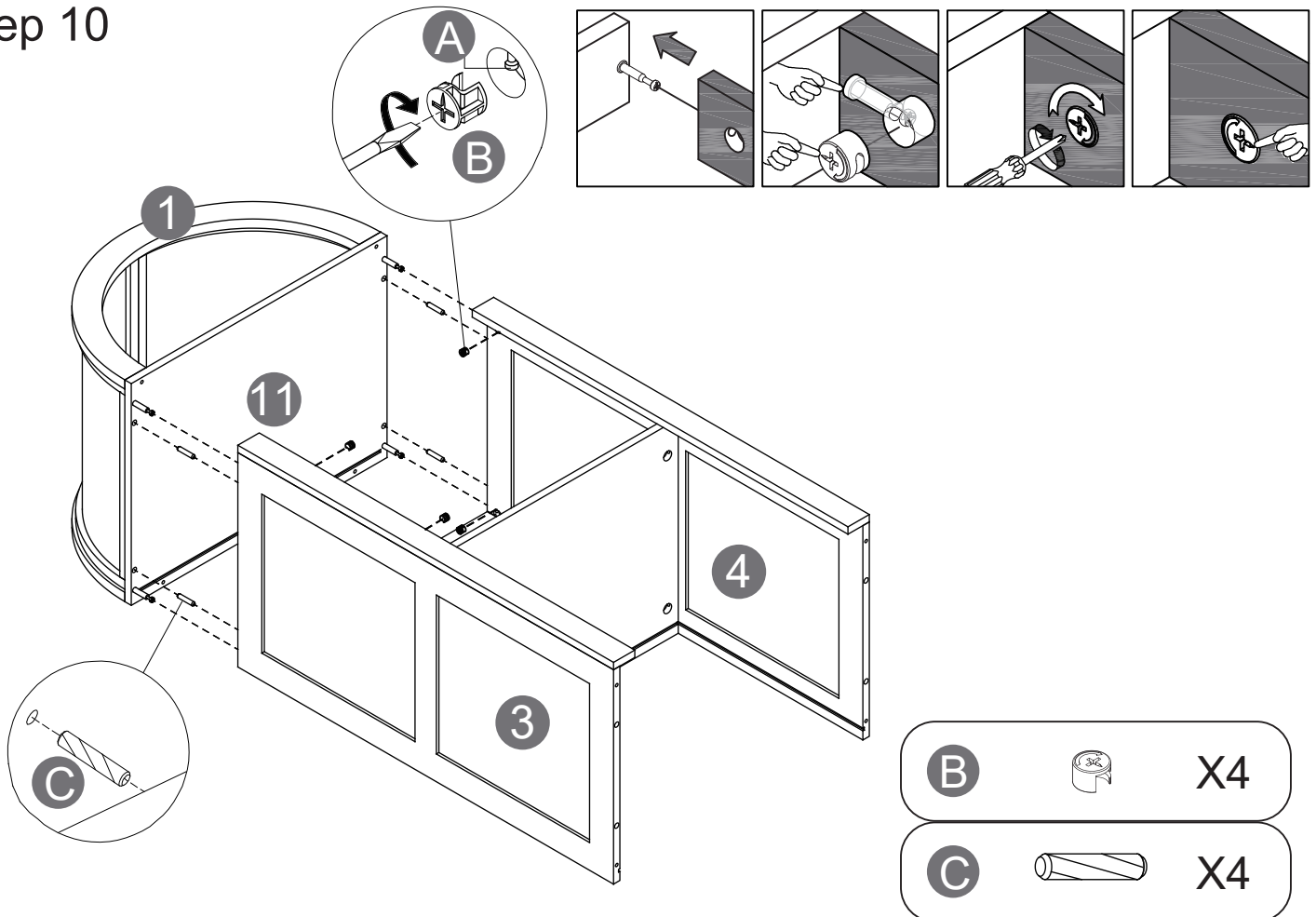
# Step 8



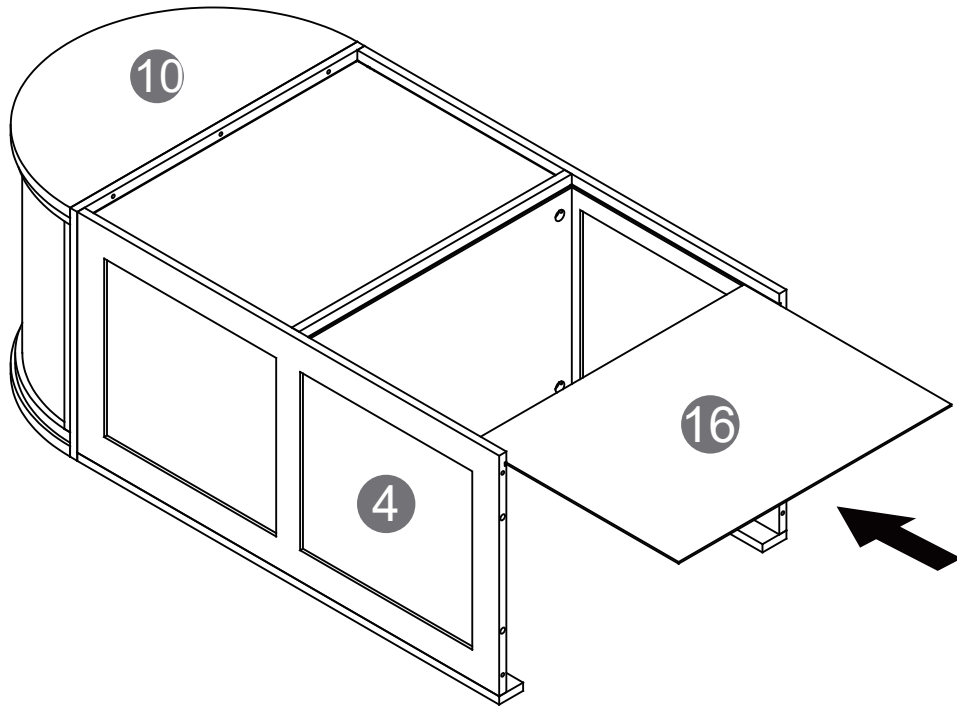
# Step 9



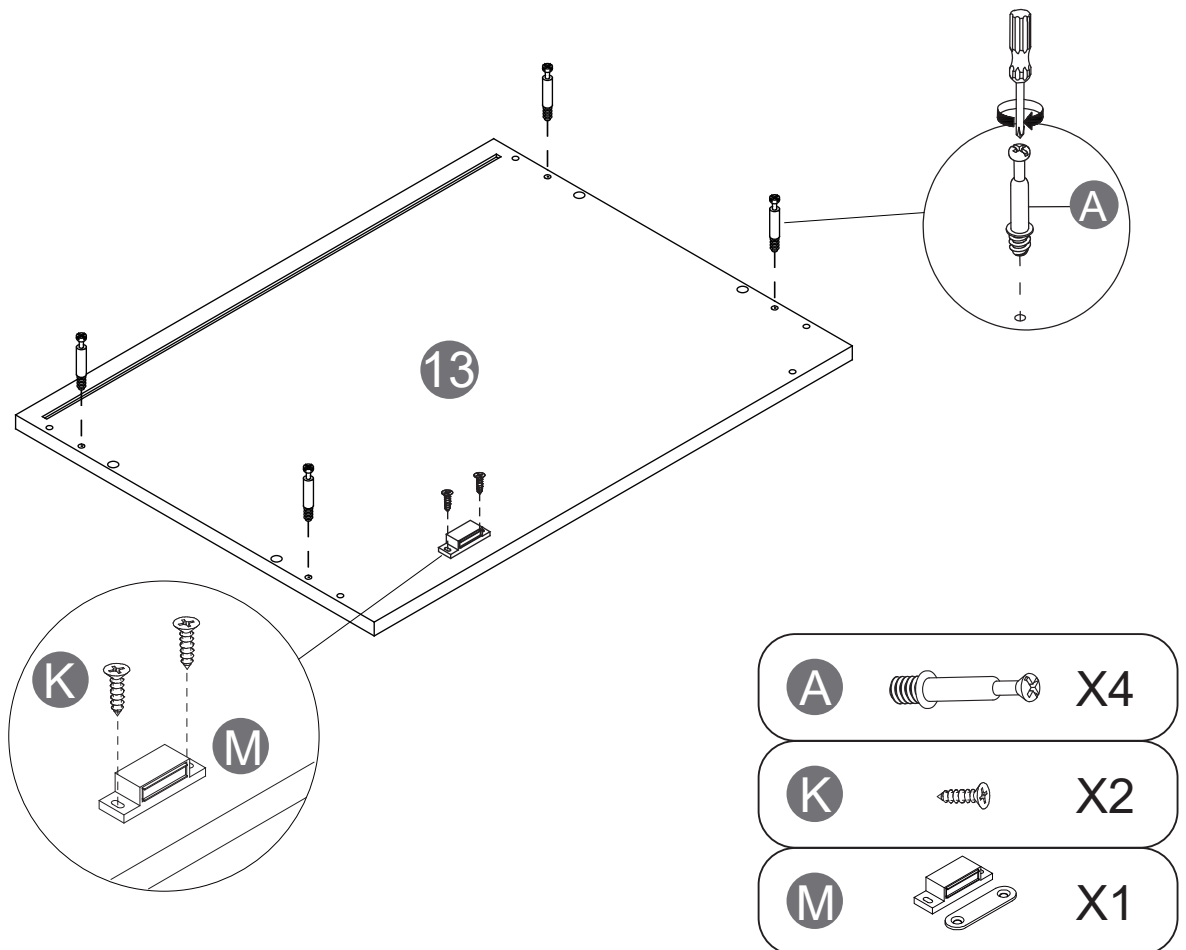
# Step 10



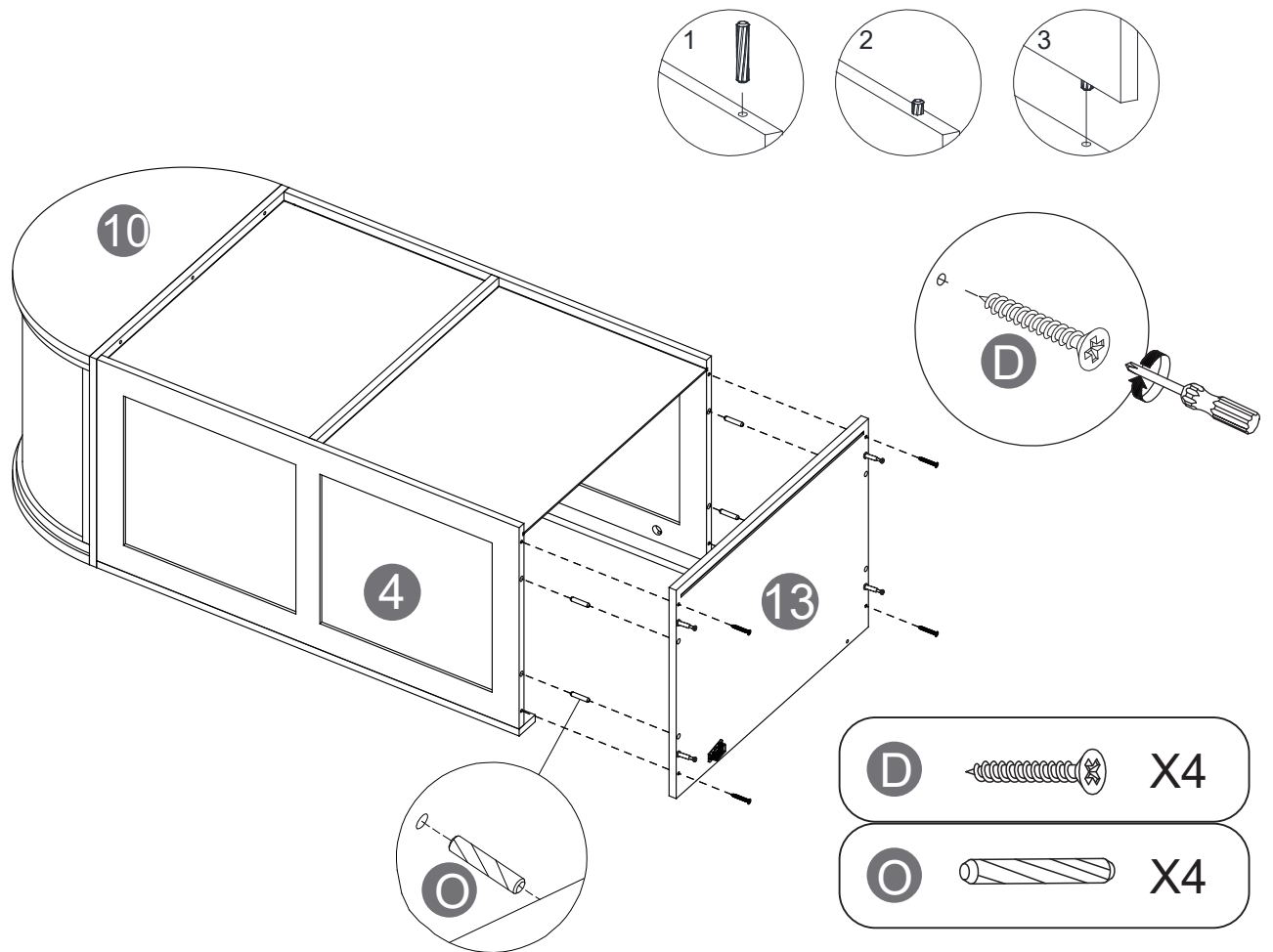
# Step 11



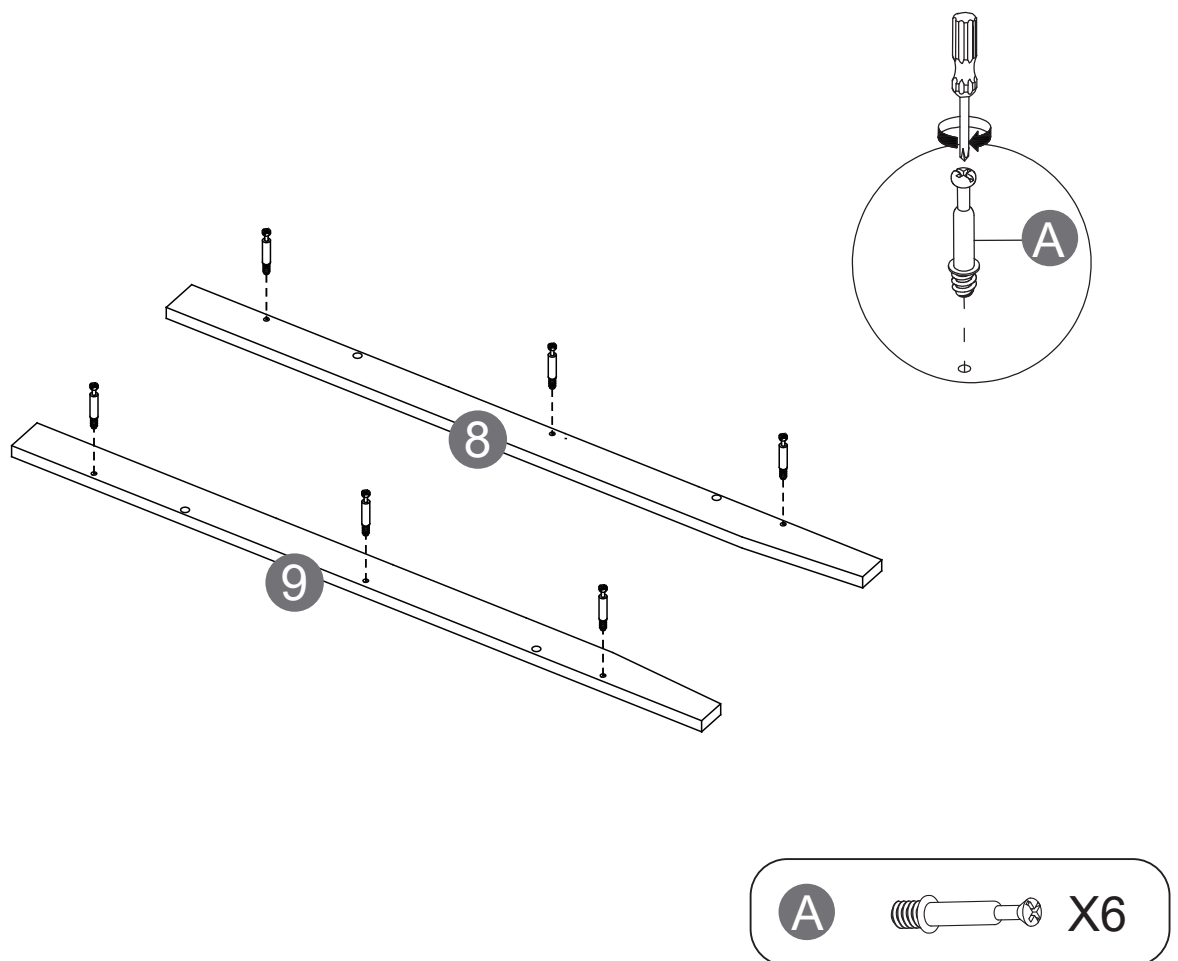
# Step 12



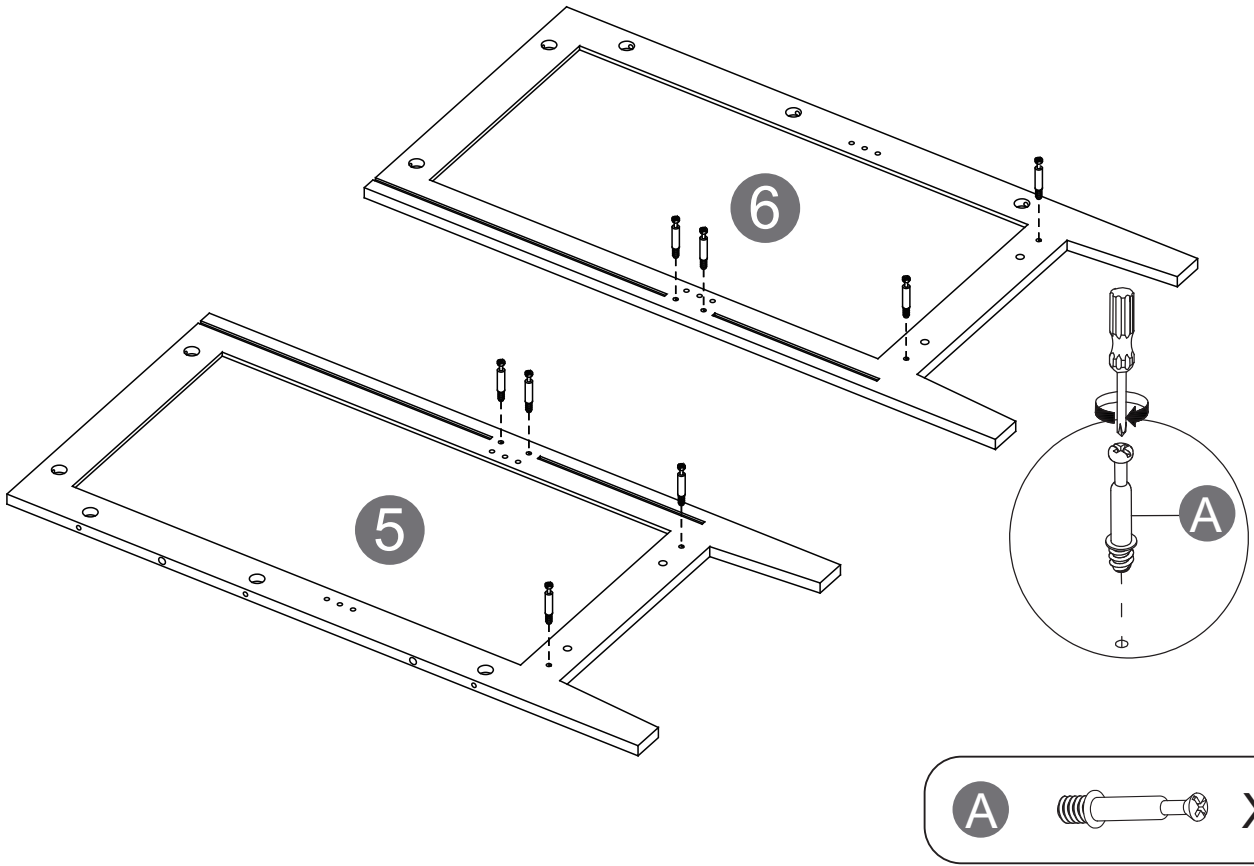
# Step 13



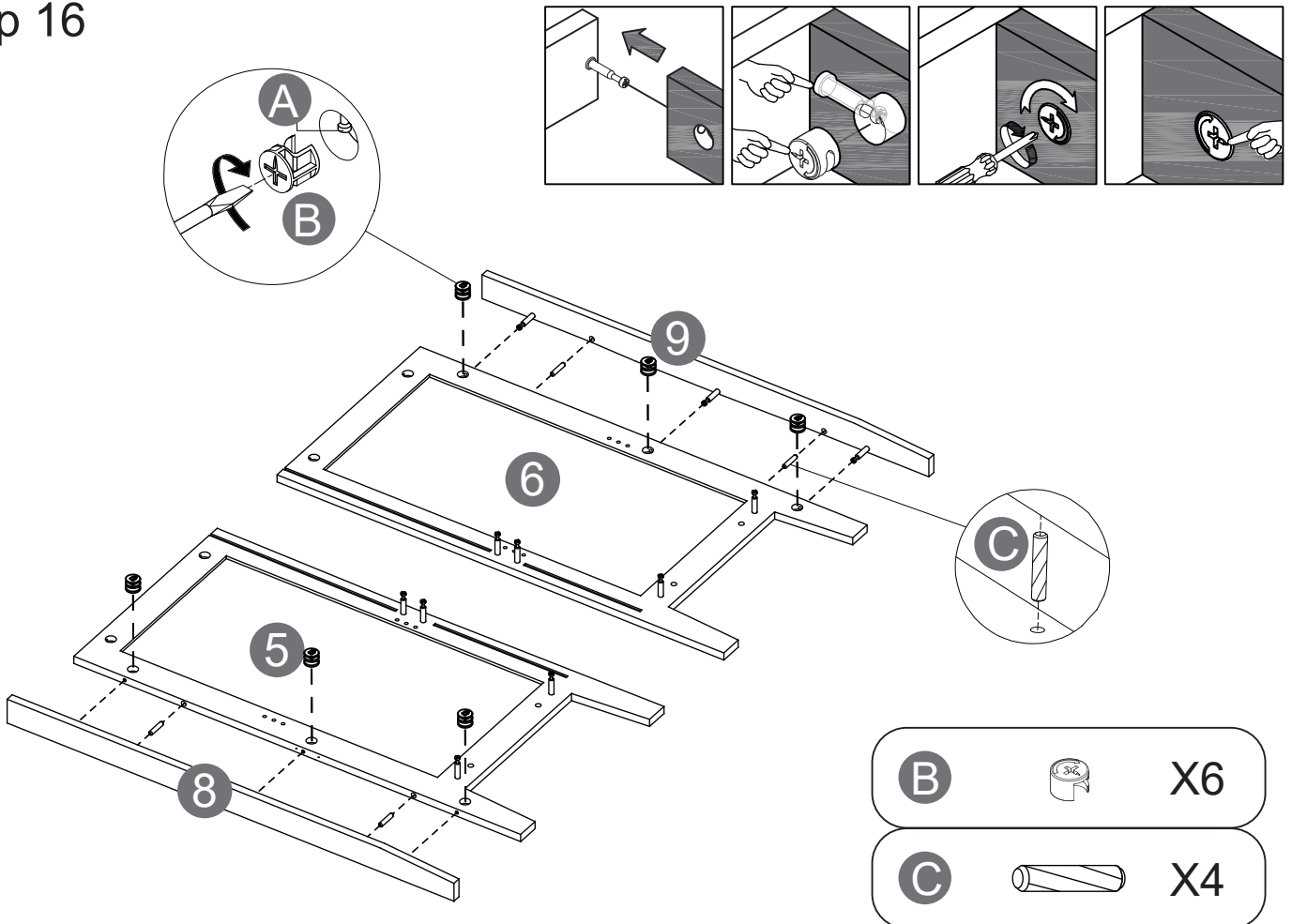
# Step 14



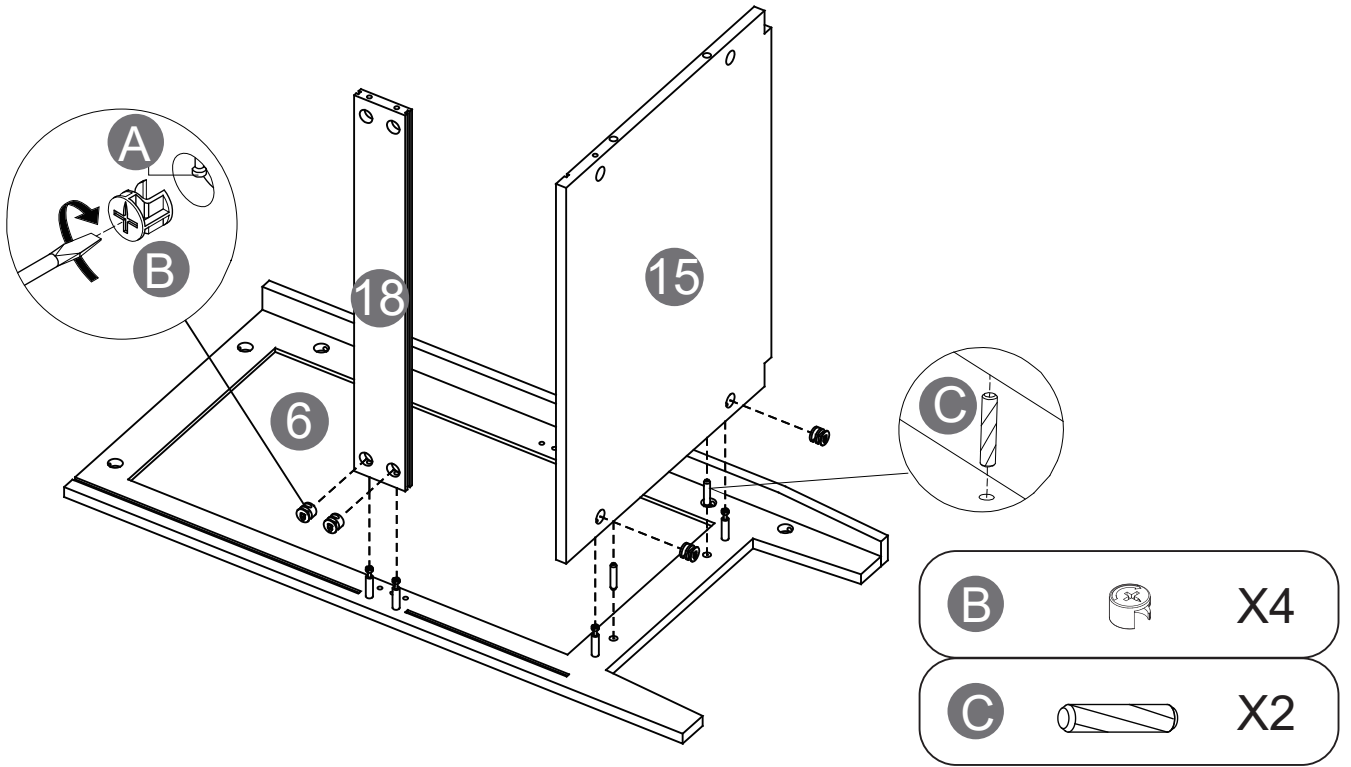
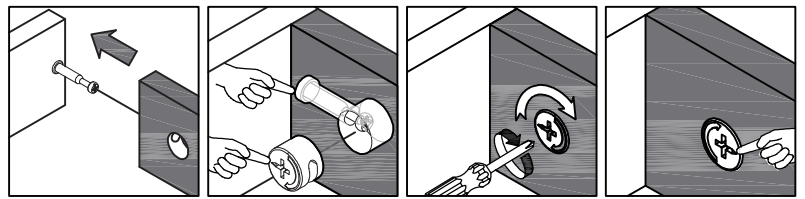
# Step 15



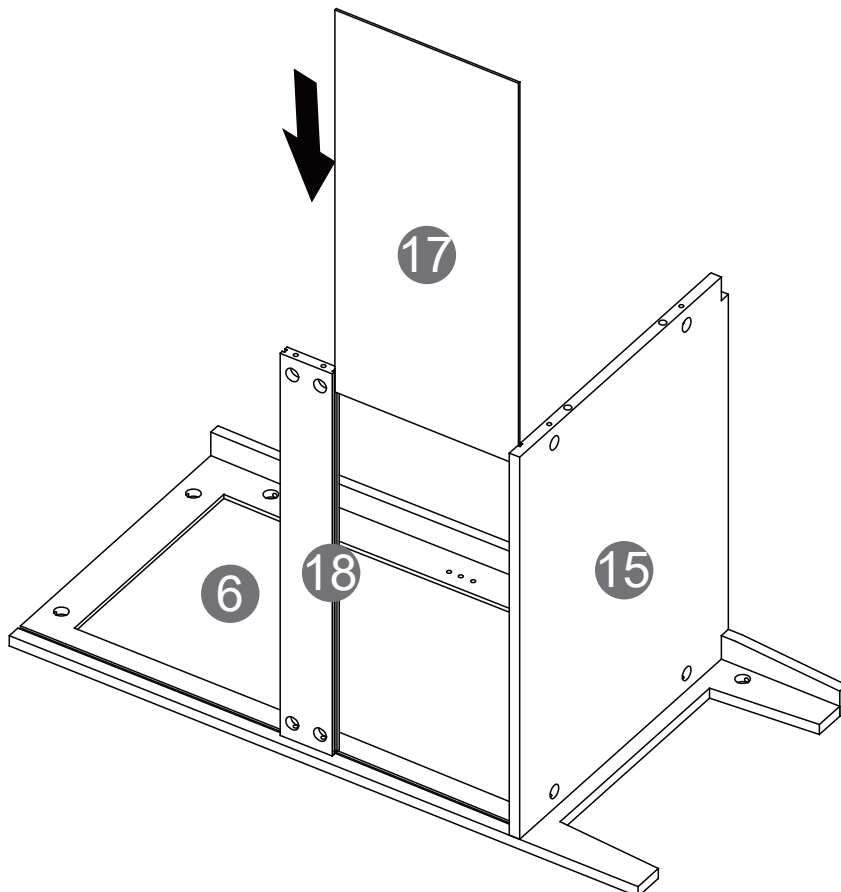
# Step 16



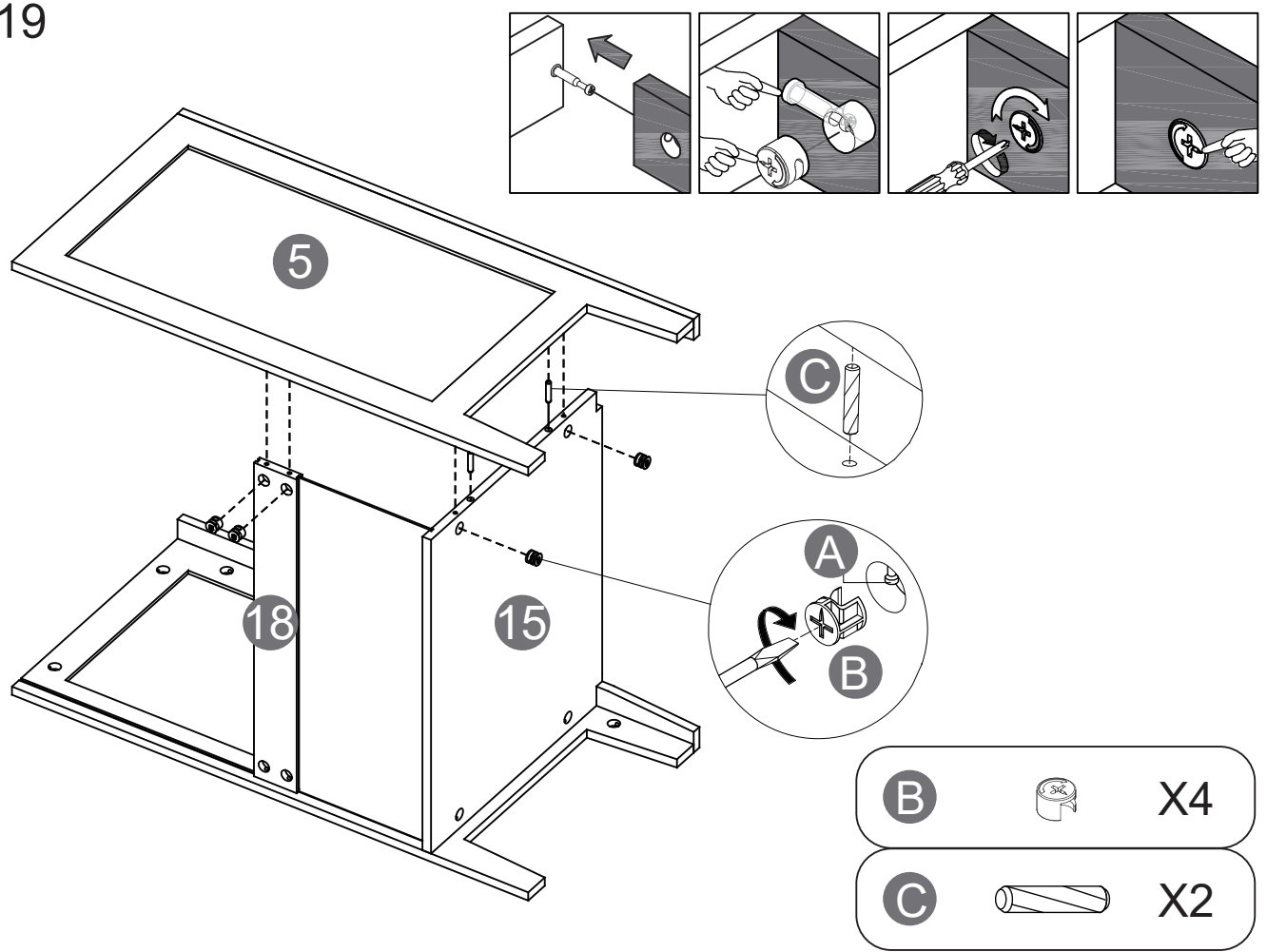
# Step 17



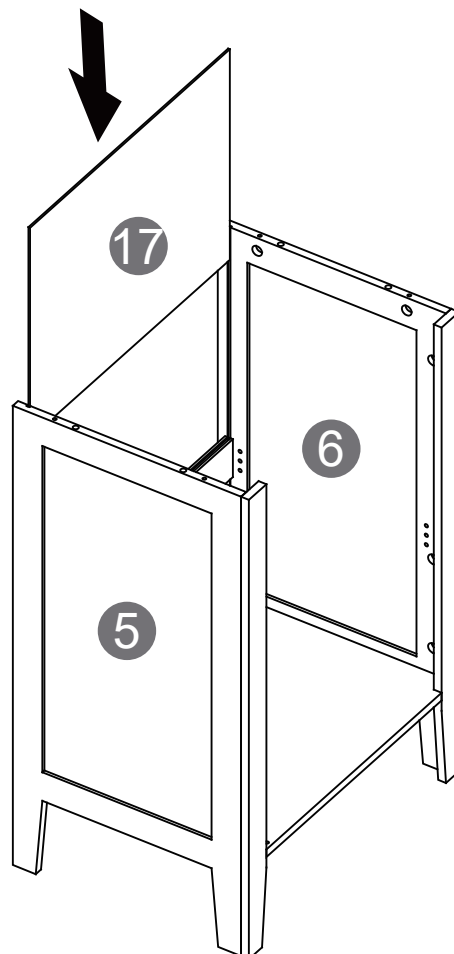
# Step 18



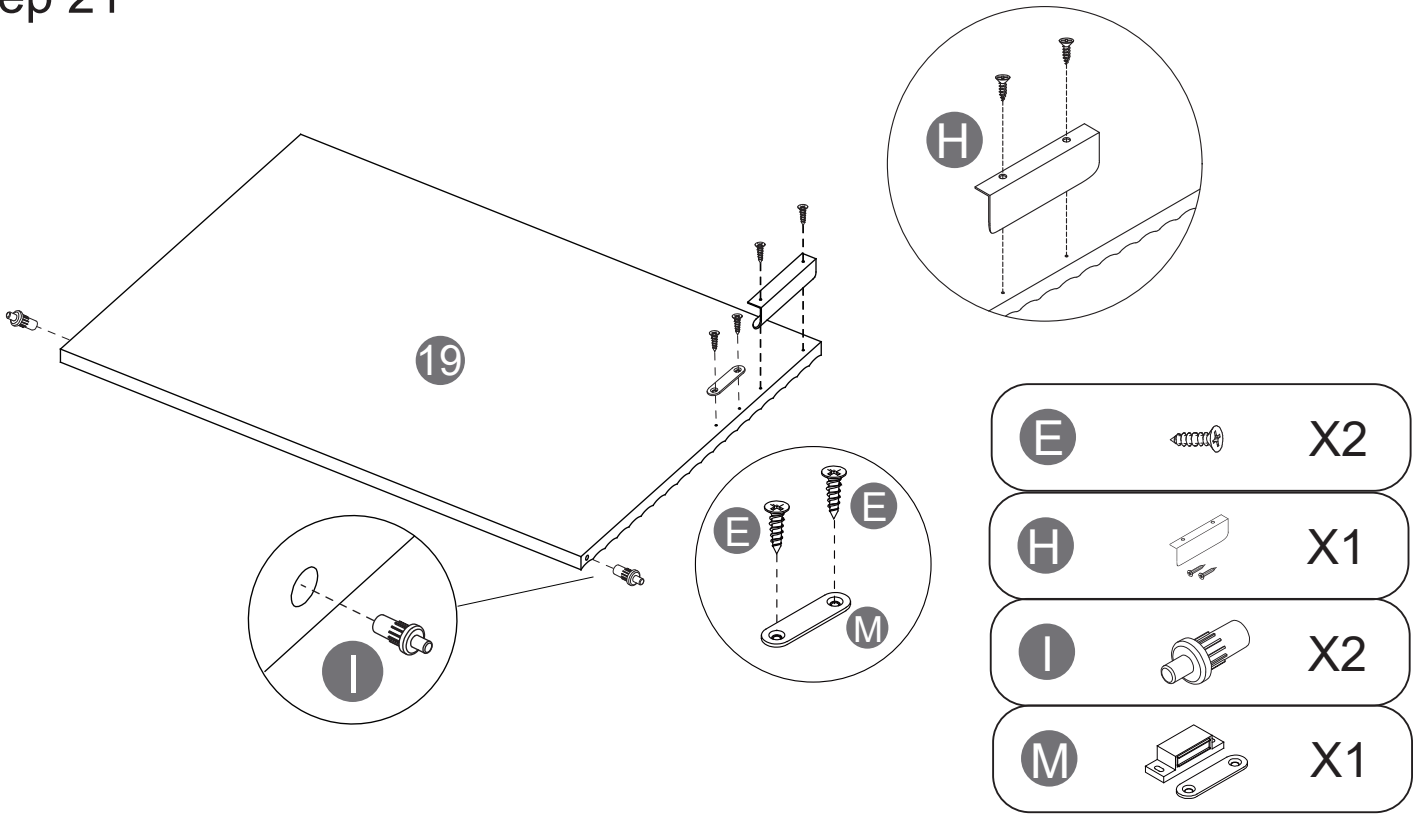
# Step 19



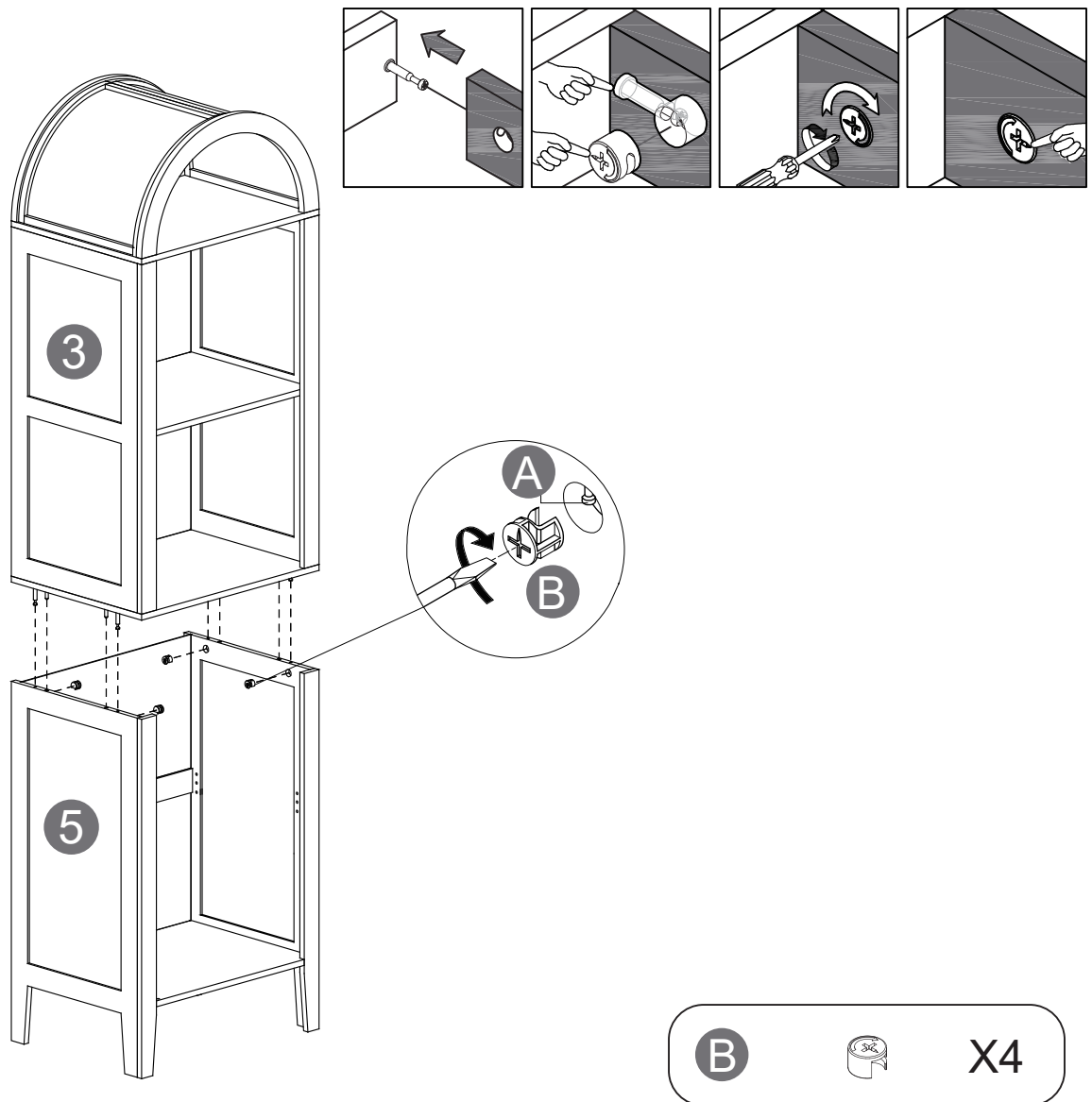
# Step 20



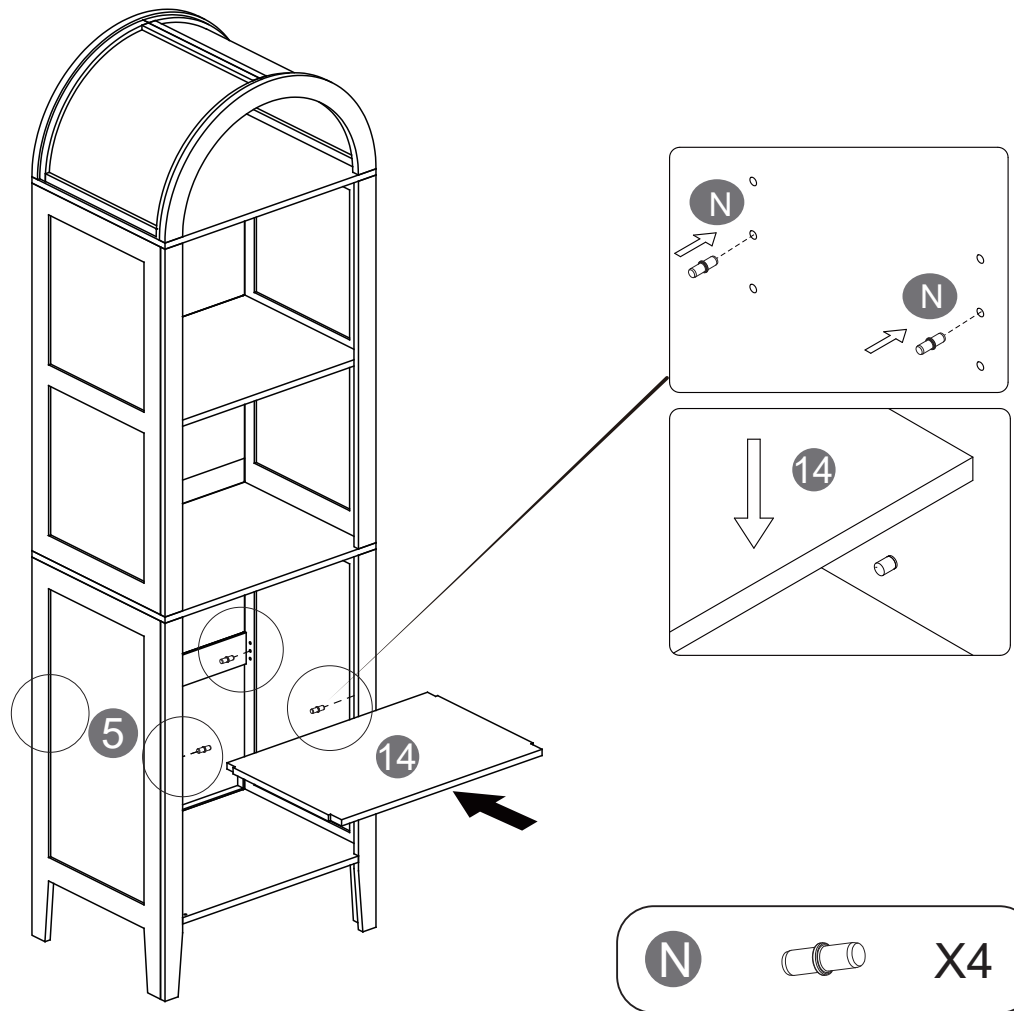
# Step 21



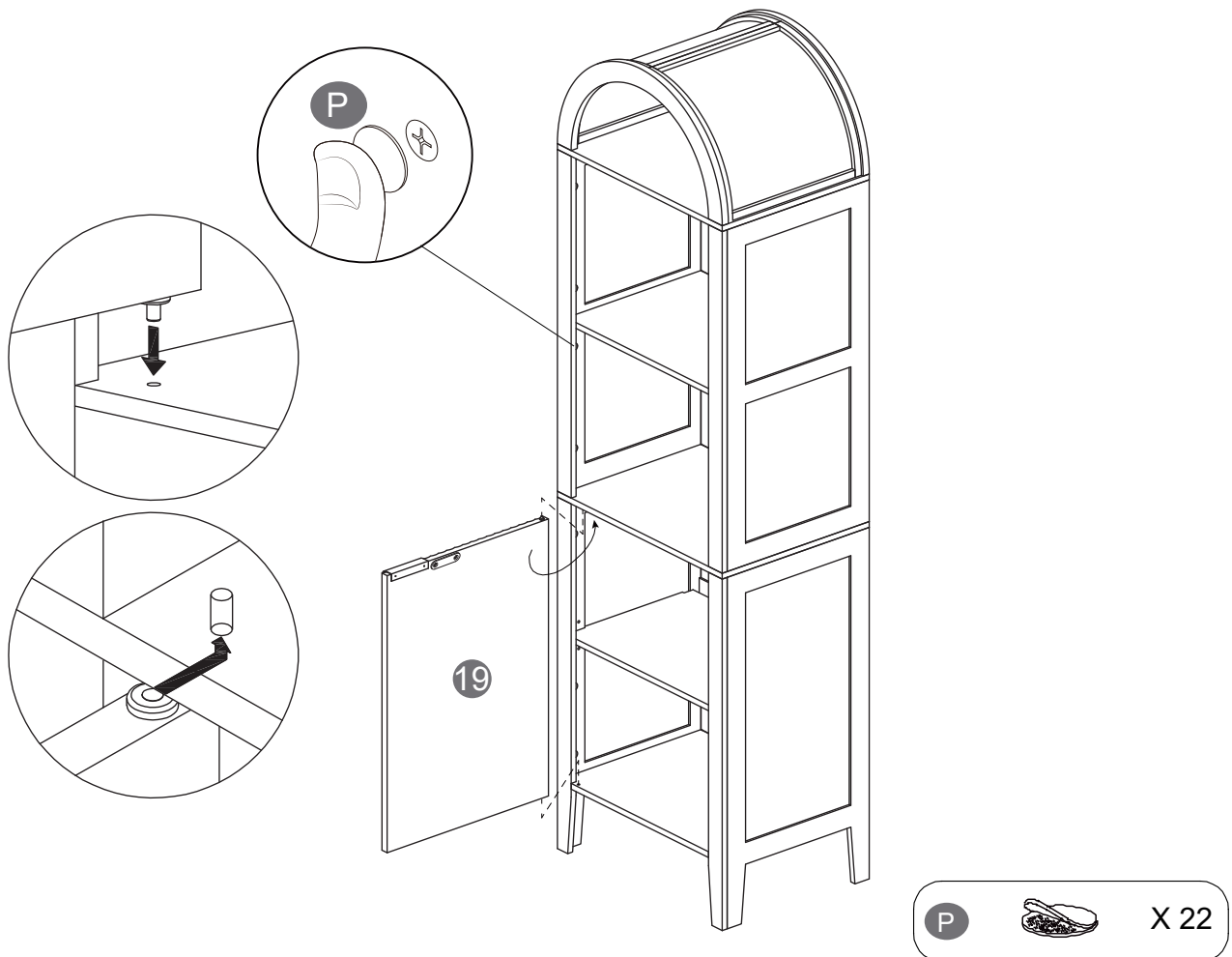
# Step 22



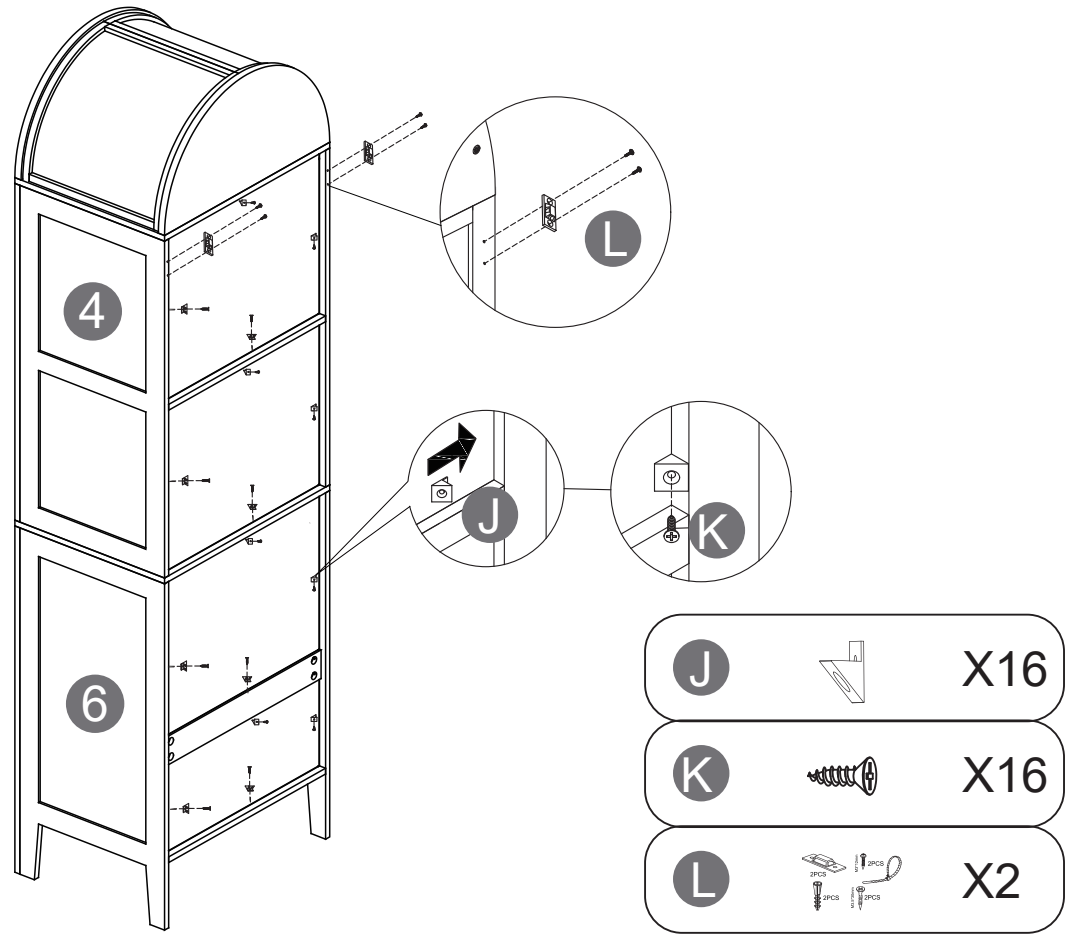
# Step 23




# Step 24

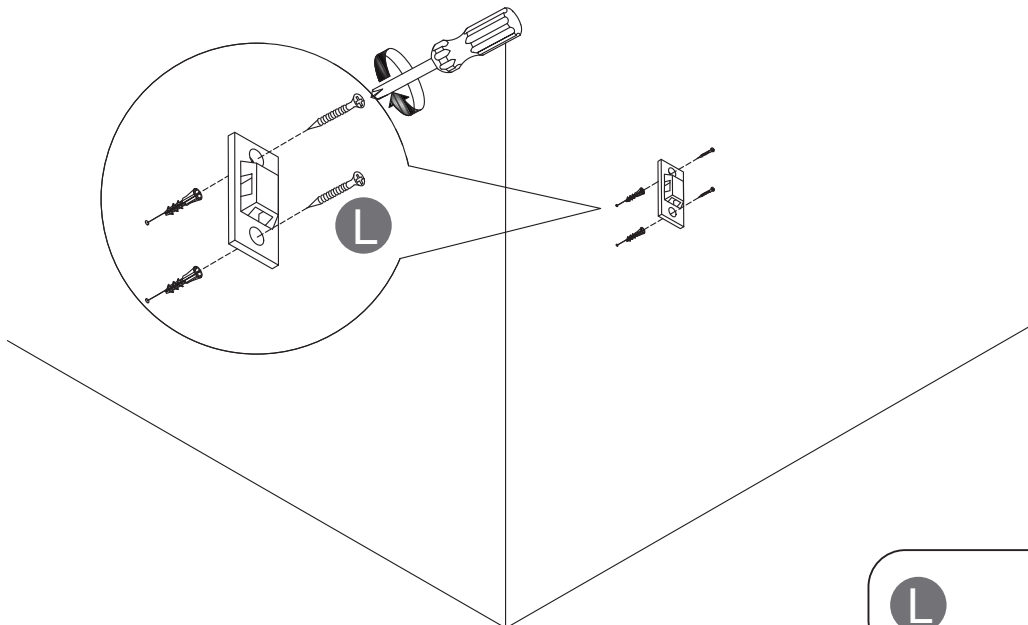


# Step 25

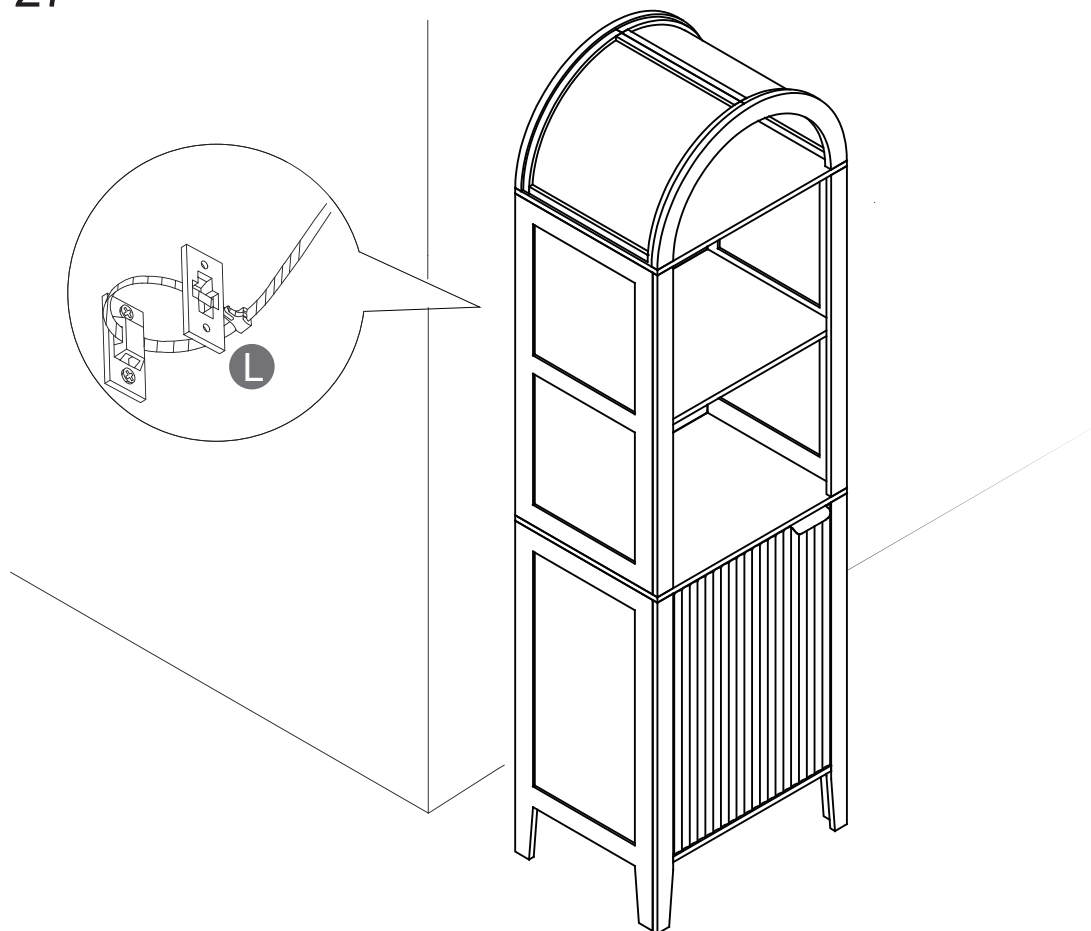


# Step 26

 suggest you have to secure the anti-tip accessories to the wall to prevent tipping, injury, and property damage.



## Step 27



## Step 28

