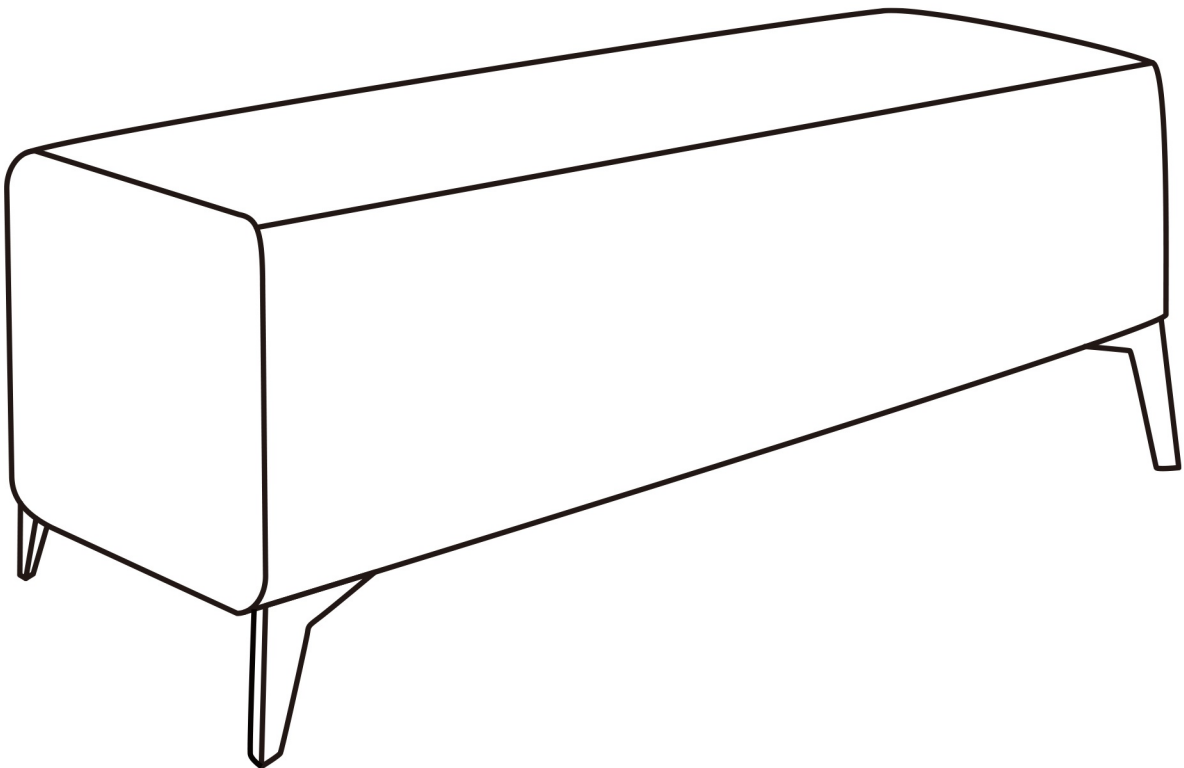


BENCH

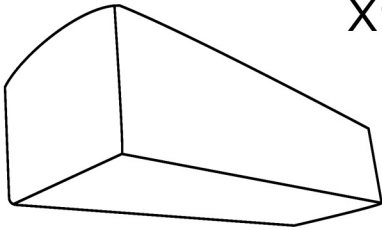


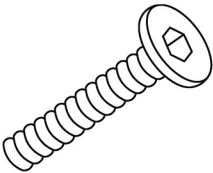



WARRANTY

- All warranties are to the original purchaser
- We will replace the defective parts or send replacement item provided that the warranty parts have not been subjected to misuse, abuse or improper service by the consumer, for example, damaged wire arising in consequence of negligence or improper operation.
- All of chairs come with a 30-day return/replace policy. During this time, we will cover the shipping cost of return and replacement for defective and damaged item, through provide pre-paid return label or pick up service for customer's convenience.

NOTE: Parts #B, #C, #D, #E are in part #A.

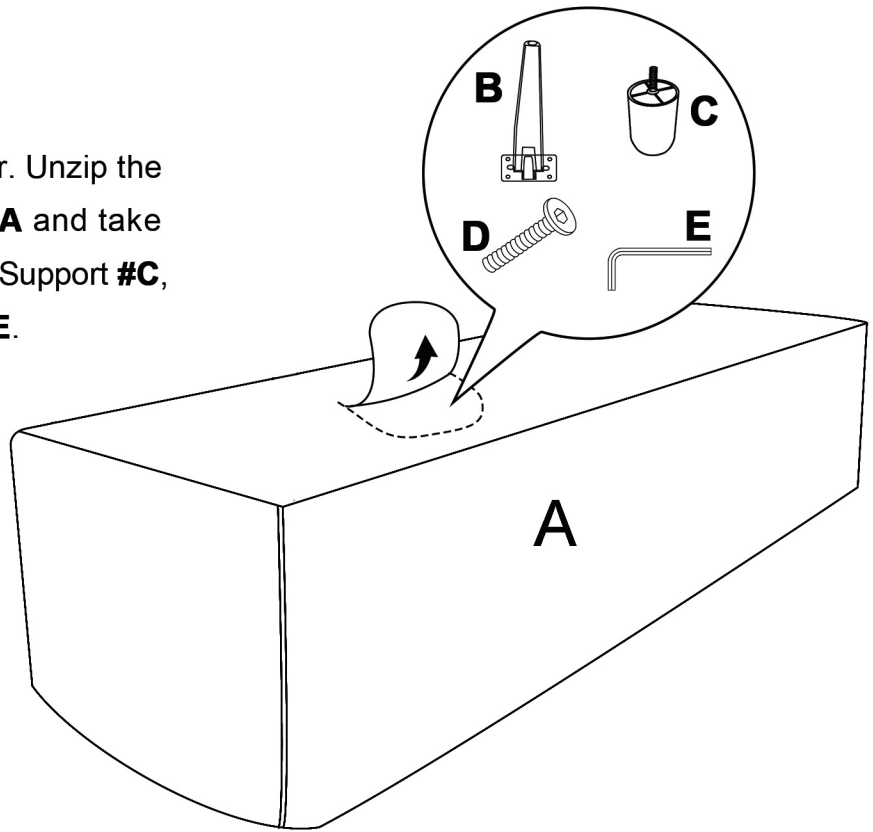
PARTS LIST

<p>A</p>  <p>X1</p> <p>Seat Cushion</p>	<p>B</p>  <p>X4</p> <p>Bench Legs</p>	<p>C</p>  <p>X1</p> <p>Bench Support</p>
<p>D</p>  <p>X8</p> <p>Screw M6x25mm</p>	<p>E</p>  <p>X1</p> <p>Allen Wrench</p>	

Super simple assembly, just a few minutes!

Step 1

Turn the Seat Cushion **#A** over. Unzip the bottom of the Seat Cushion **#A** and take out the Bench Legs **#B**, Bench Support **#C**, Screw **#D** and Allen Wrench **#E**.



Step 2

Tighten the Screws **#D** with Allen Wrench **#E** to fix the Bench Legs **#B**. Twist the Bench Support **#C** on the Seat Cushion **#A**.

