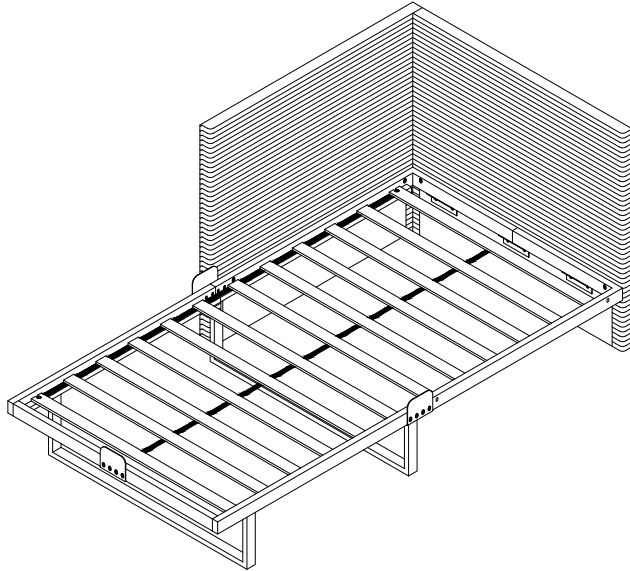
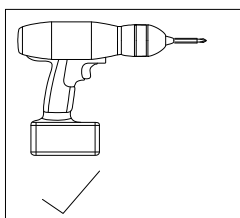


ASSEMBLY INSTRUCTION

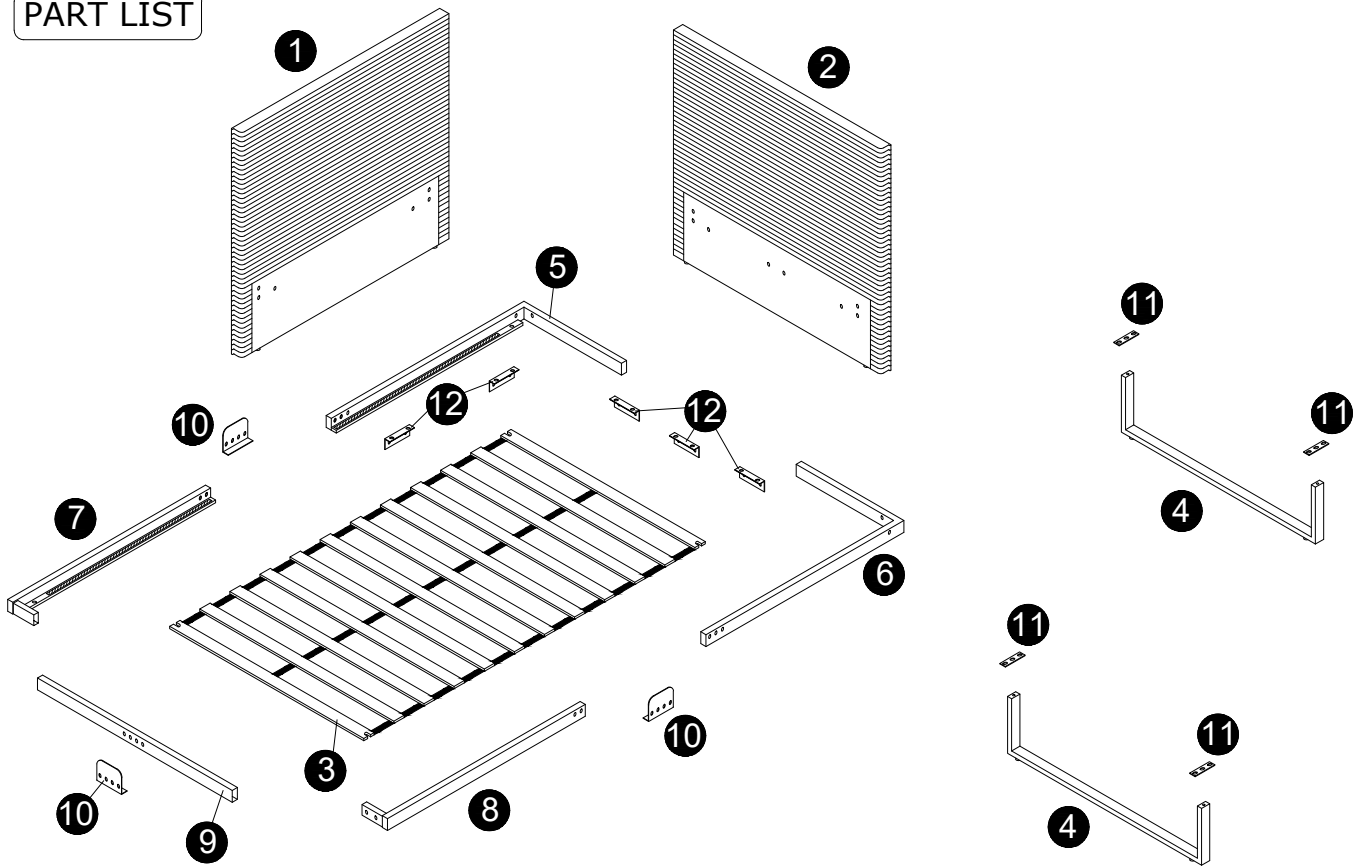


IMPORTANT NOTE

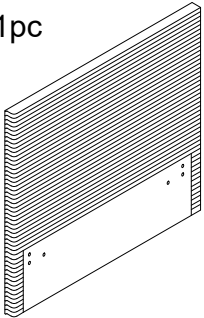
1. FOR THE PROTECTION OF YOUR FURNITURE, PLACE ALL PARTS ON A CLEAN AND SMOOTH SURFACE TO PREVENT ANY DAMAGE.
2. DO NOT USE POWER TOOLS TO ASSEMBLE THE BED.
3. PLEASE PERIODICALLY CHECK ALL FITTINGS AND RE-TIGHTEN AS NECESSARY.
4. DO NOT USE THE BED UNLESS ALL BOLTS AND SCREWS ARE FIRMLY SECURED.
5. NEED PARTS OR ASSISTANCE? EMAIL US
6. YOU CAN ASSEMBLE IT WITH OUR PACKAGING TOOLS



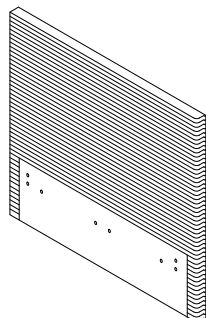
PART LIST



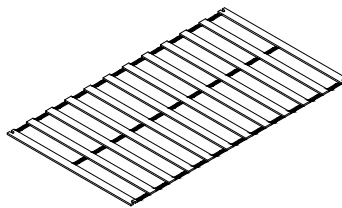
1 x 1pc



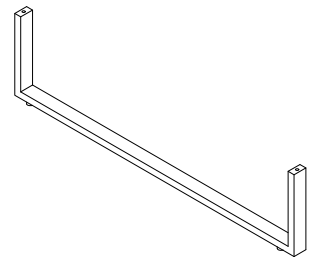
2 x 1pc



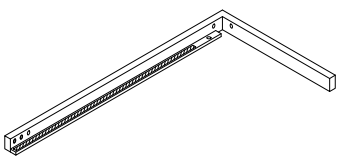
3 x 1pc



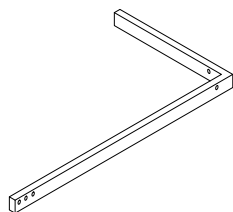
4 x 2pcs



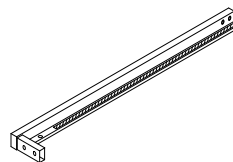
5 x 1pc



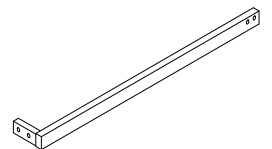
6 x 1pc



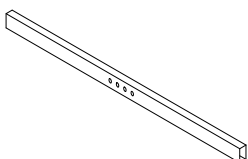
7 x 1pc



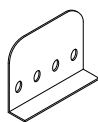
8 x 1pc



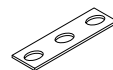
9 x 1pc



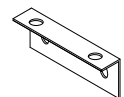
10 x 3pcs



11 x 4pcs



12 x 5pcs



HARDWARE LIST



H1 M5 x 1pc



H2 M8x20mm x 12pcs



H3 M8x25mm x 36pcs



H4 M8x45mm x 8pcs



H5 M8 x 24pcs

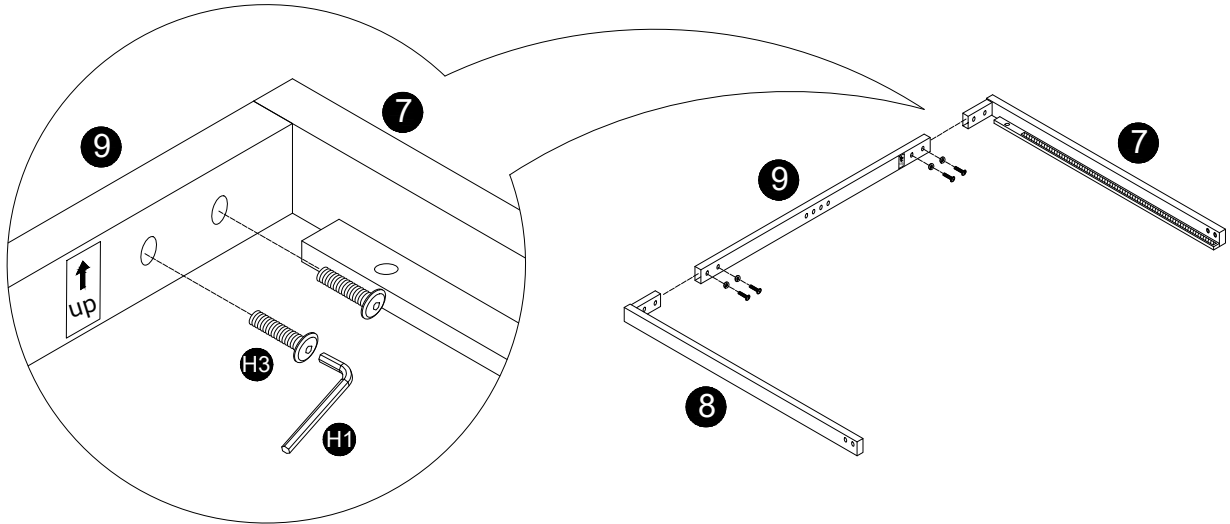


H6 M8x17mm x 40pcs

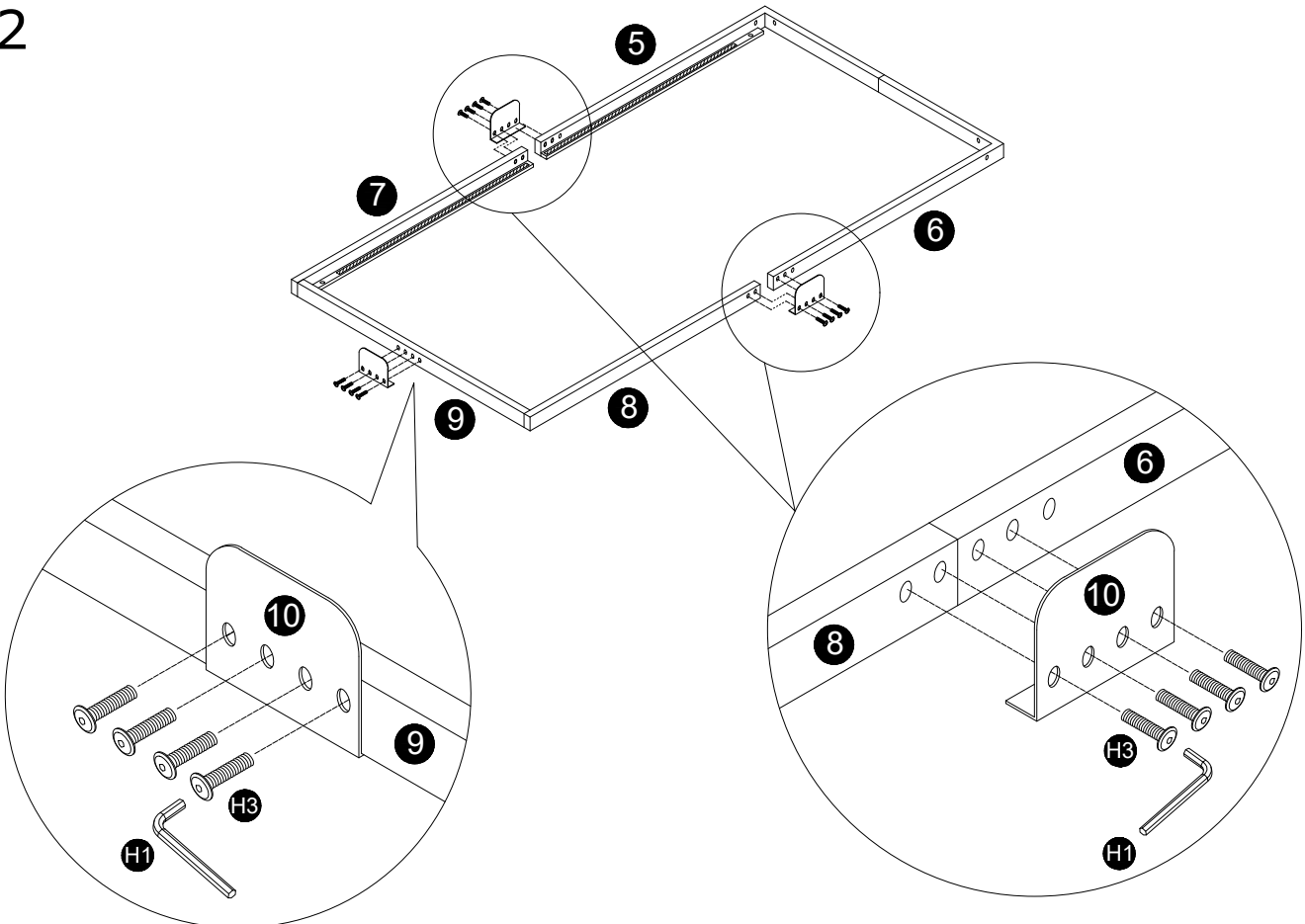


H7 x 2pcs

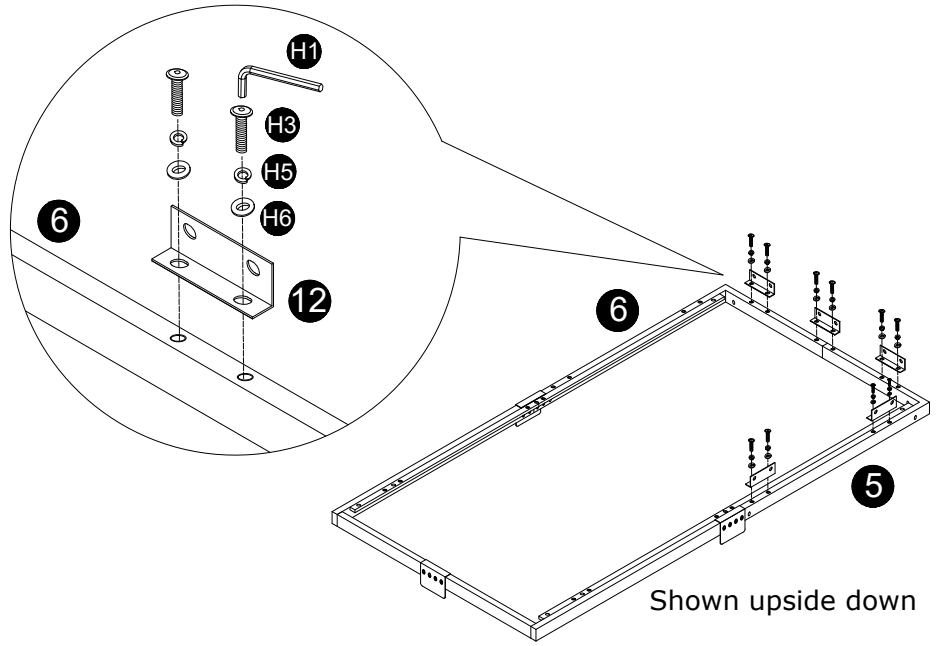
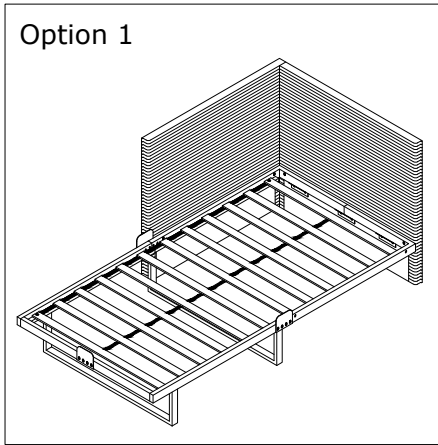
1



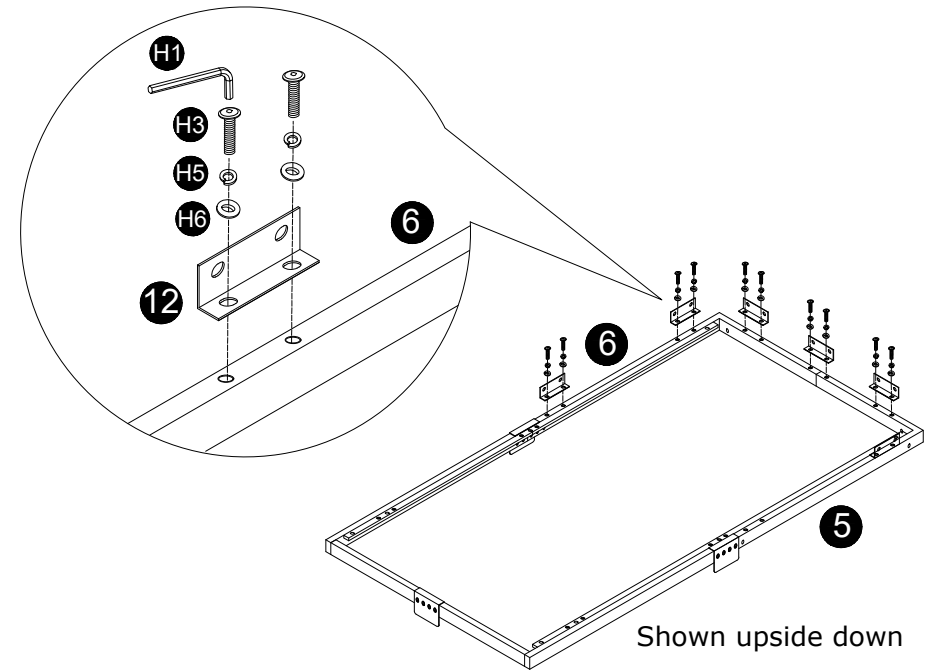
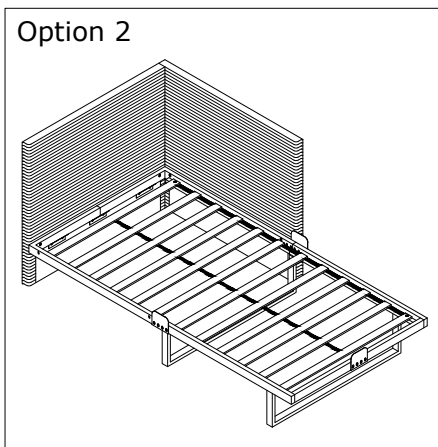
2



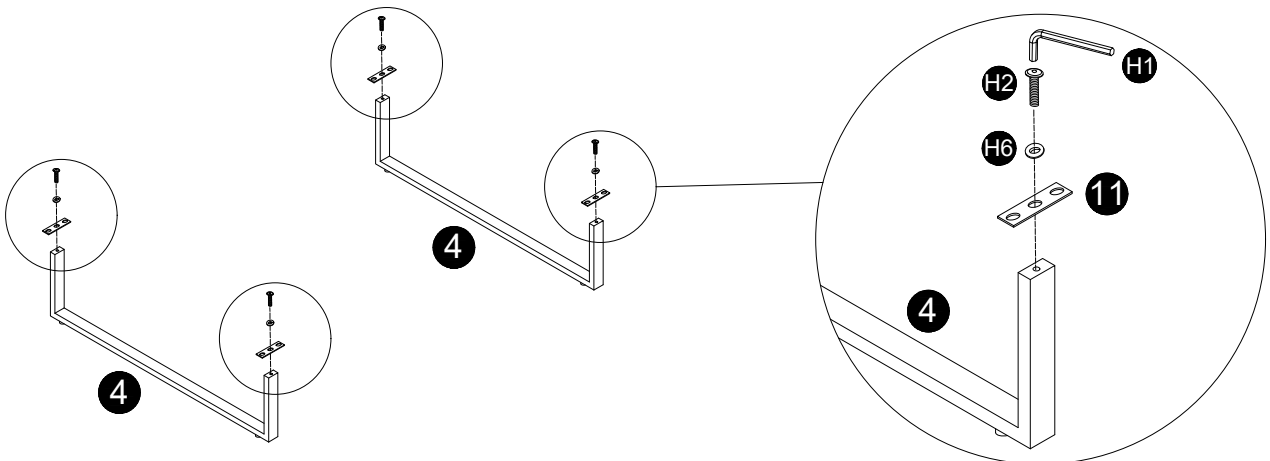
3a



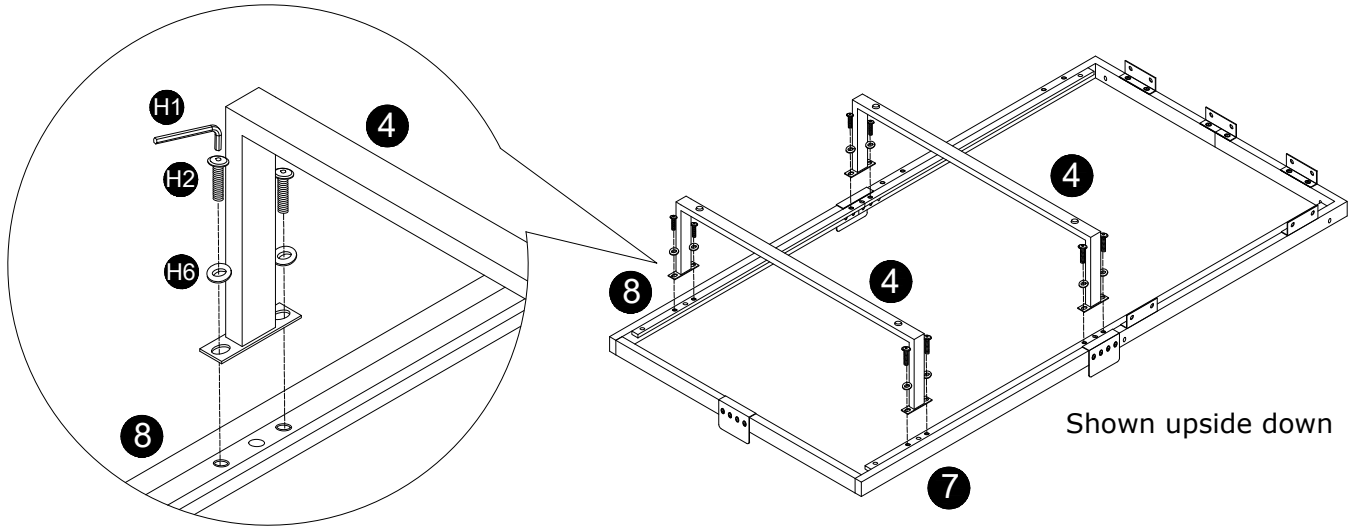
3b



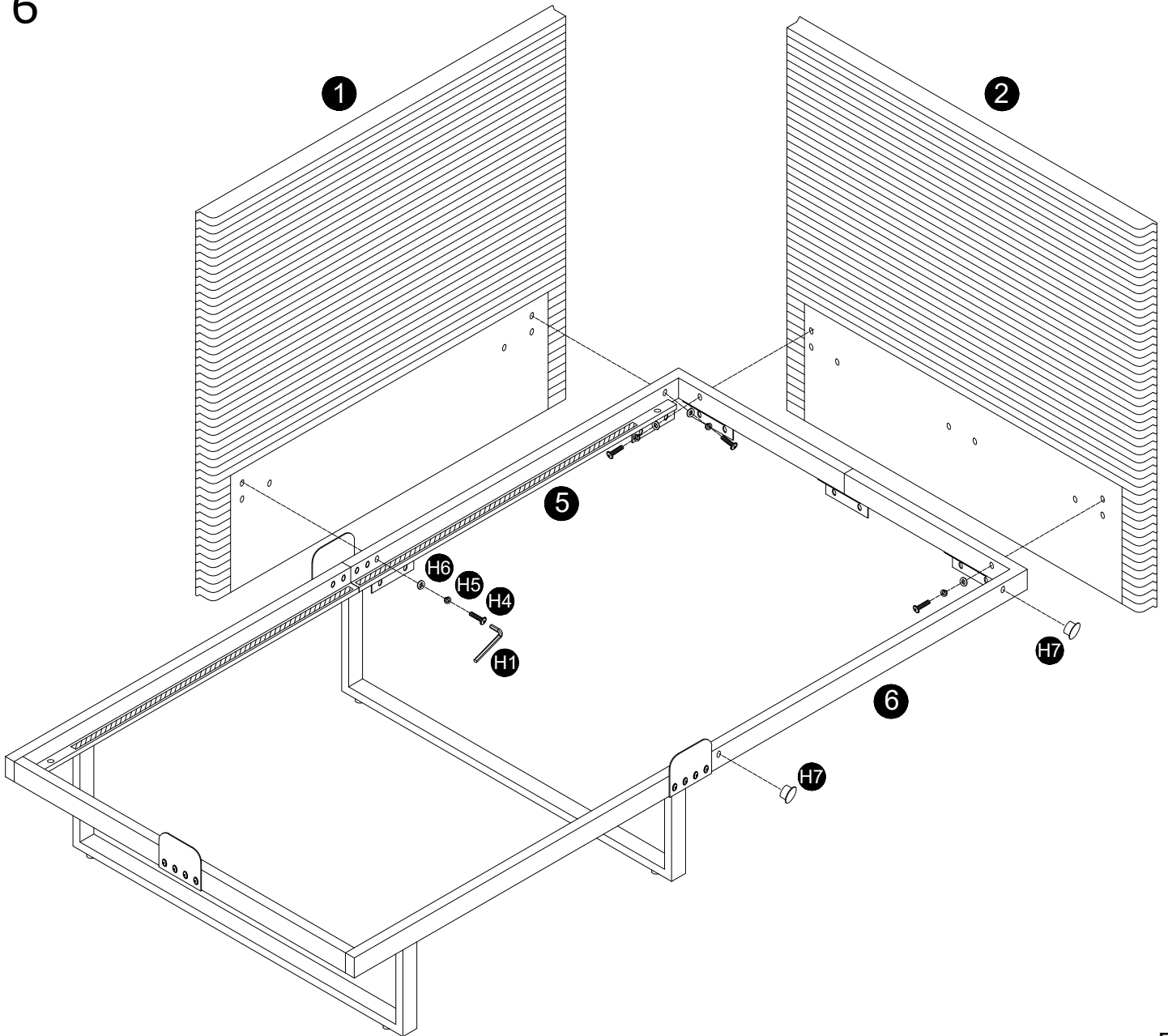
4



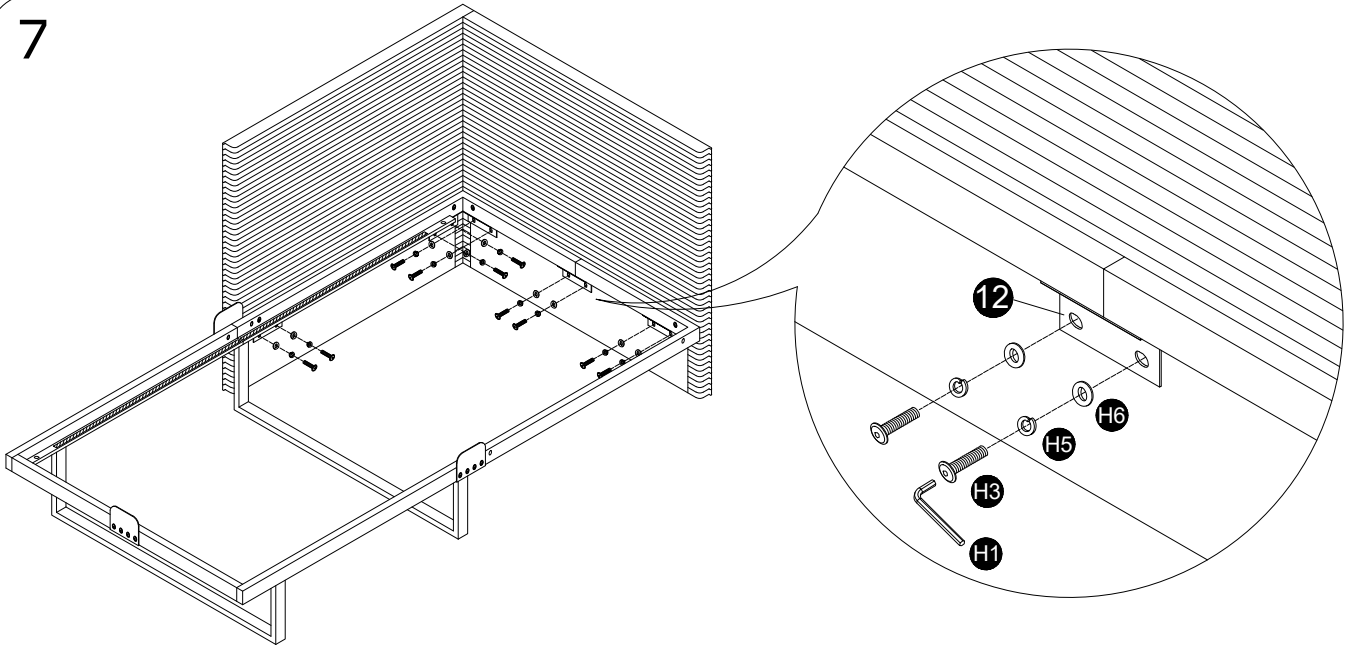
5



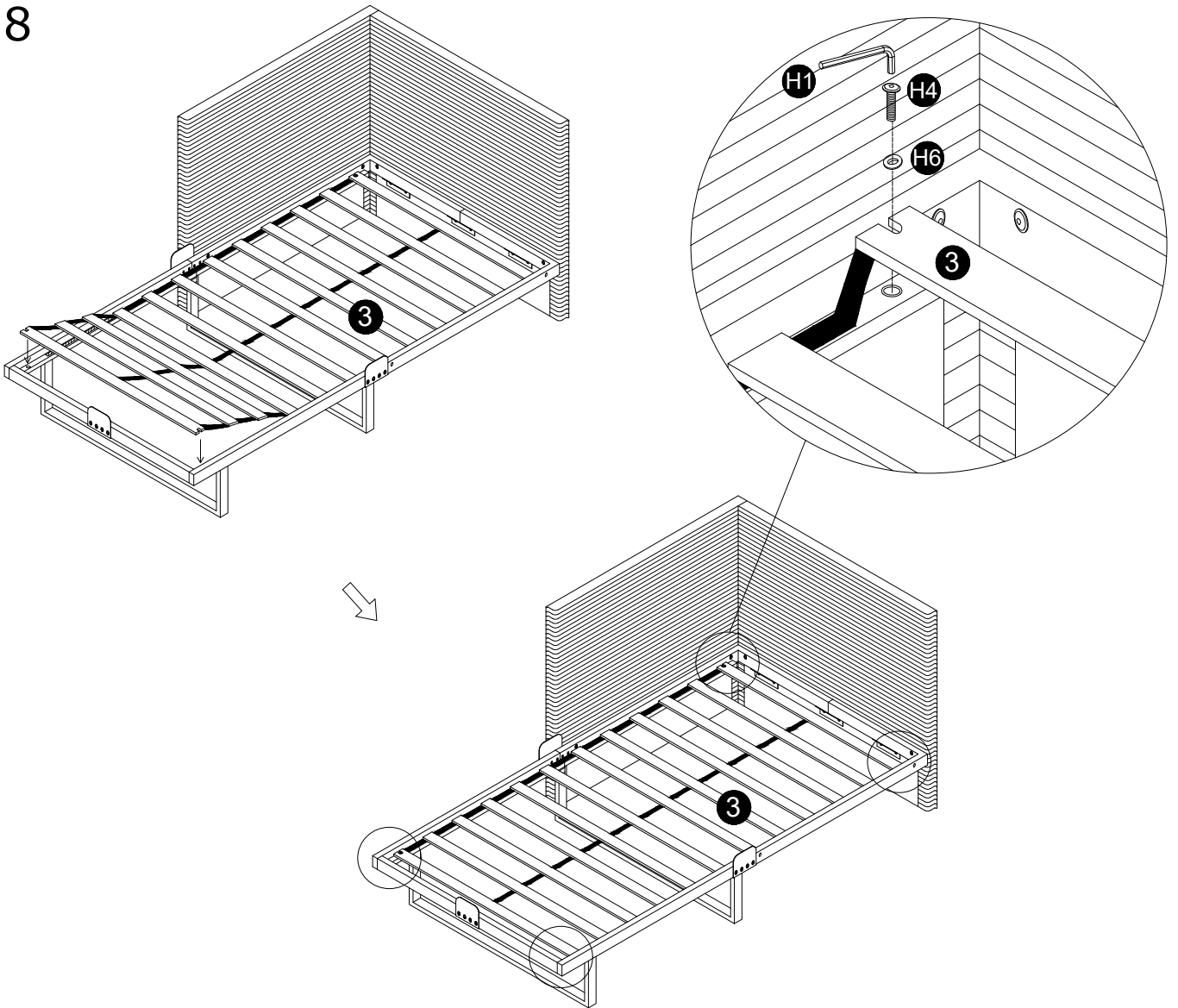
6



7



8



Job Complete !

In the interest of our environment please dispose of all packaging thoughtfully.