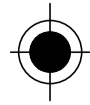
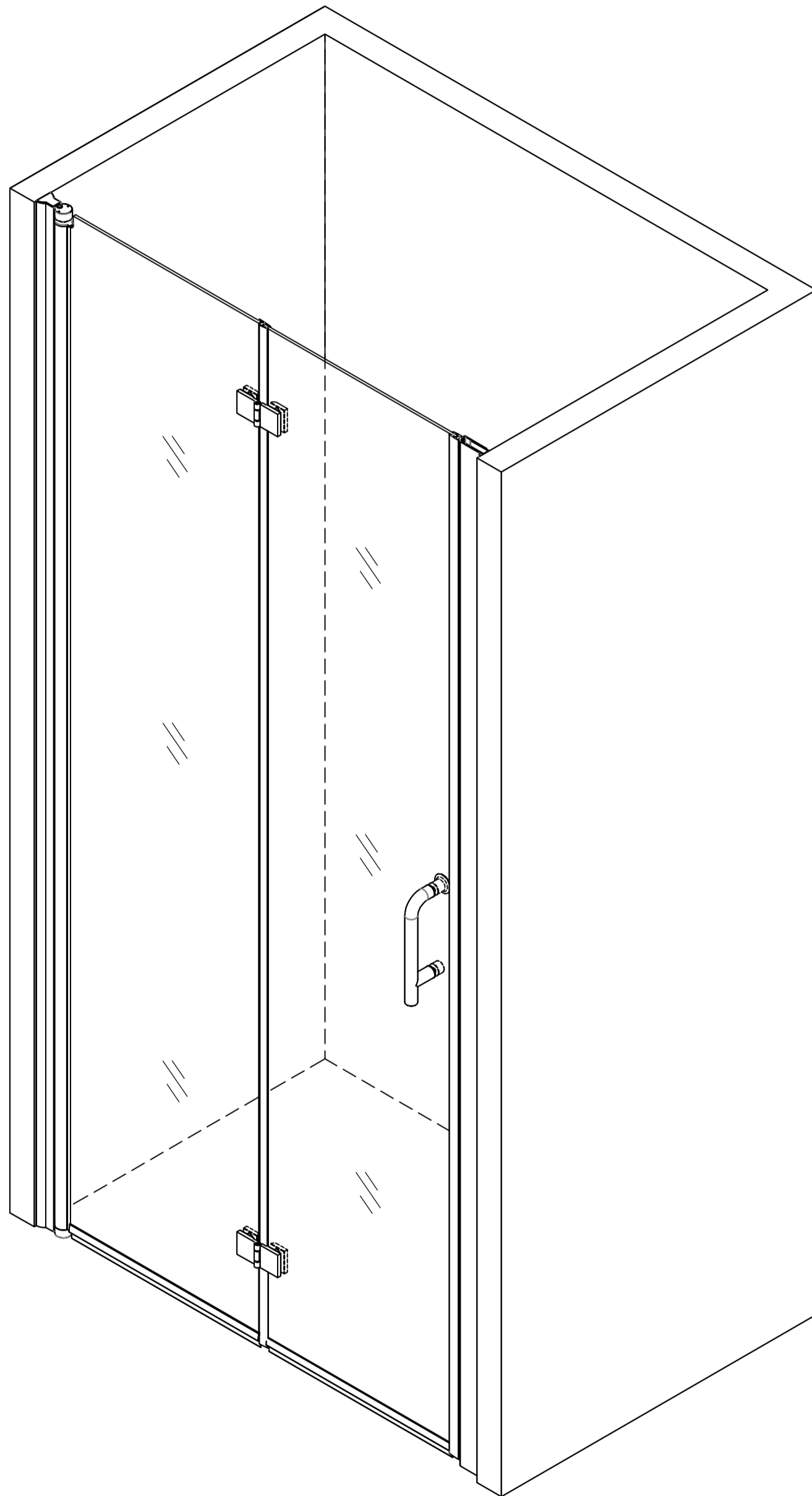
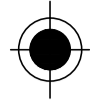
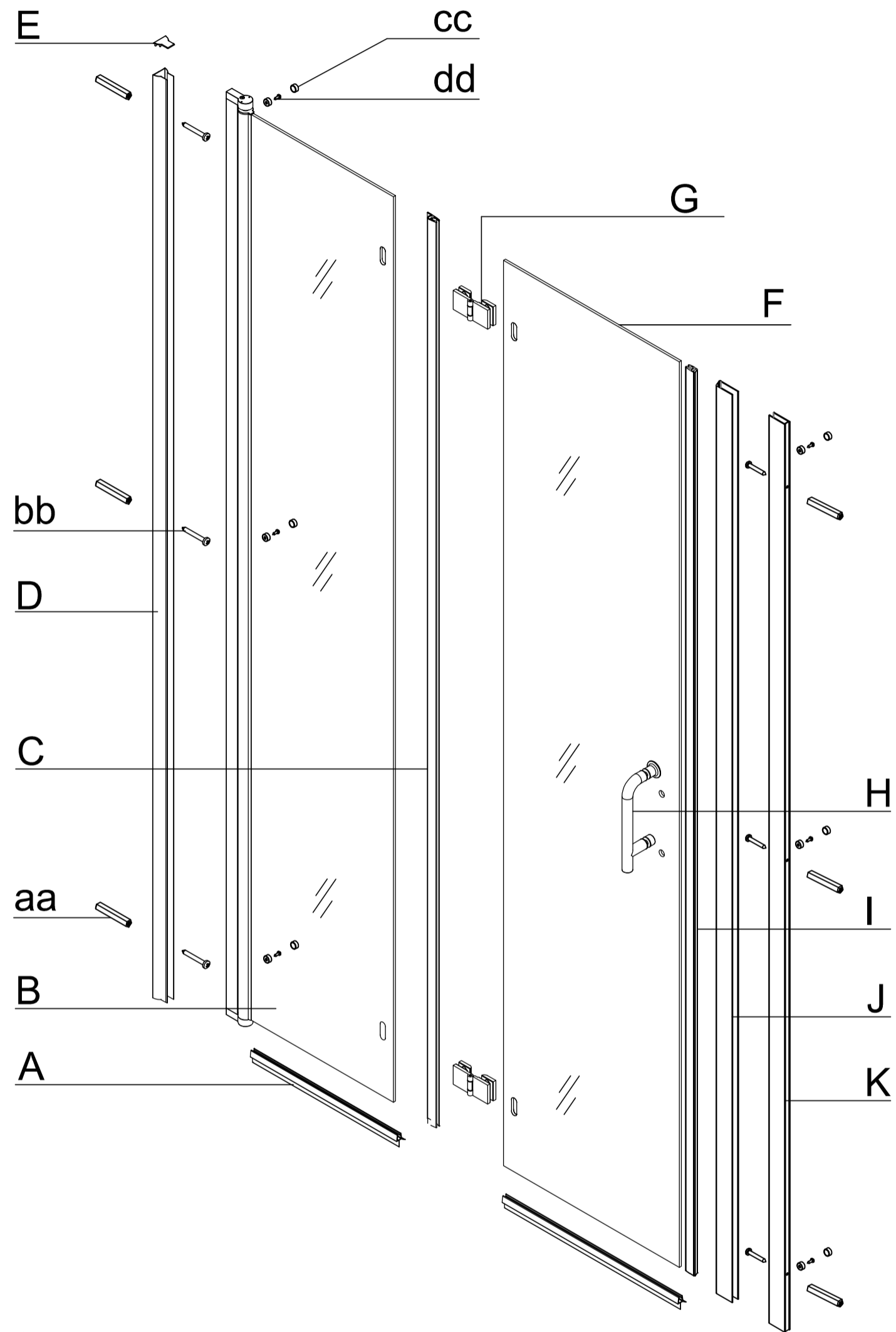


Shower Door Installation Instructions



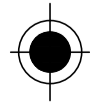


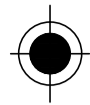
PACKAGE CONTENT



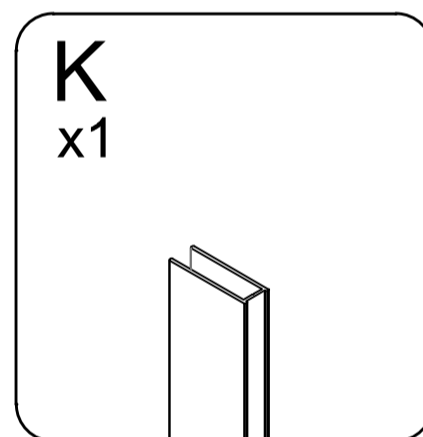
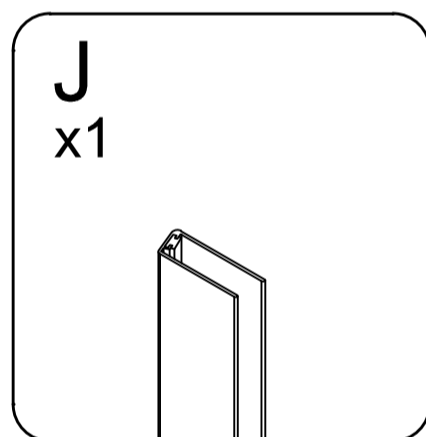
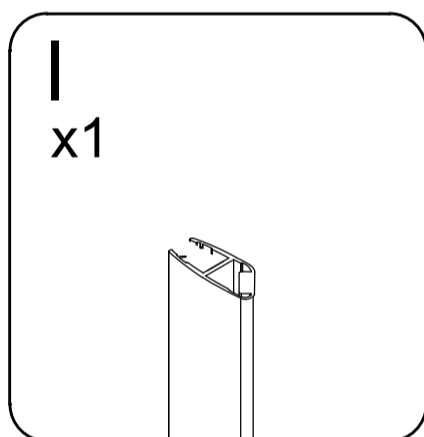
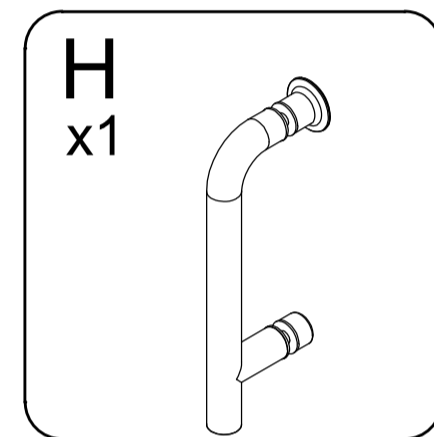
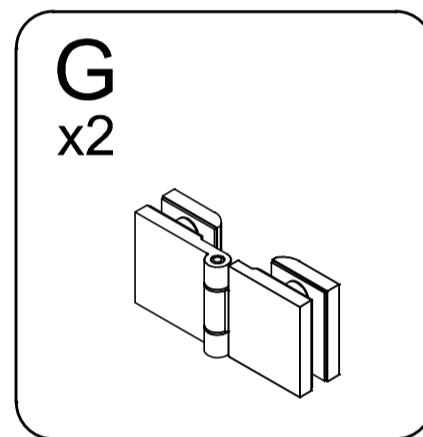
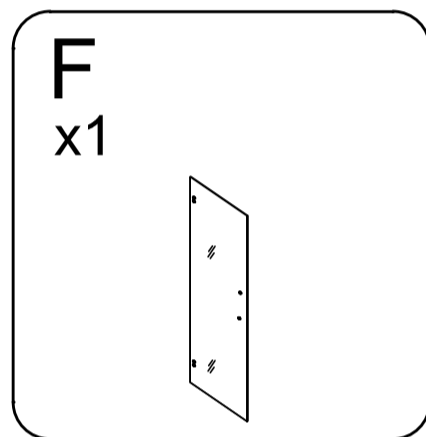
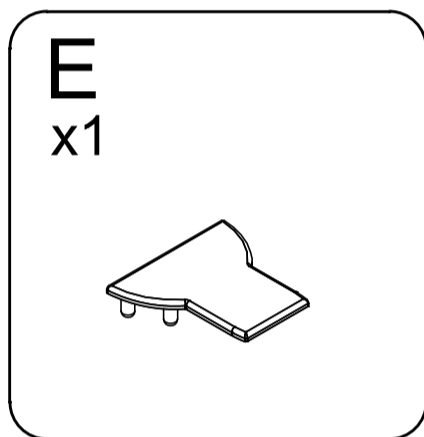
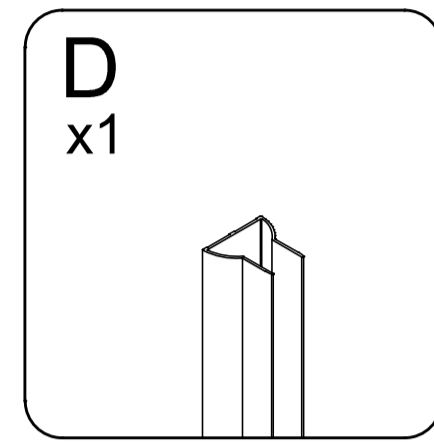
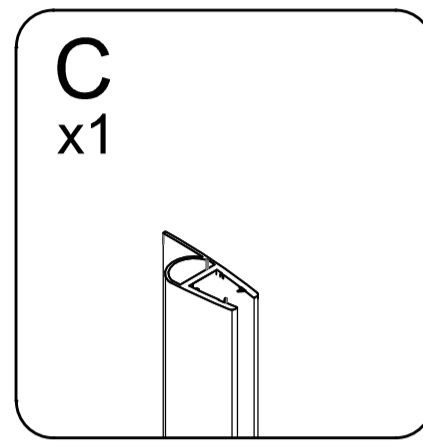
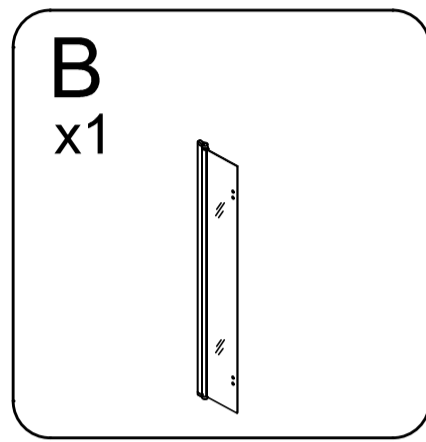
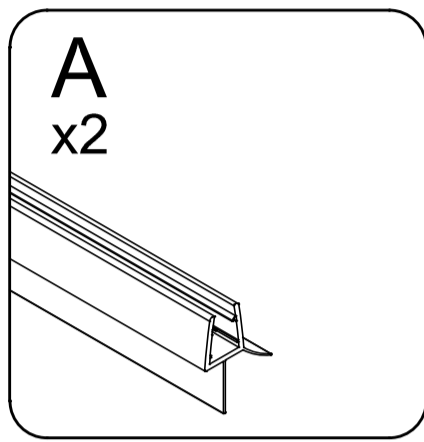
PACKAGE CONTENT

PART#	DESCRIPTION	QTY	PART#	DESCRIPTION	QTY
A	Bottom Gasket	2	G	Hinge	2
B	Door panel-1	1	H	Handle	1
C	Vertical Gasket	1	I	Magnetic strip	1
D	Wall Jamb	1	J	Magnetic Seal Aluminum	1
E	Top Cover Cap	1	K	Magnetic Seal Wall Jamb	1
F	Door panel-2	1			

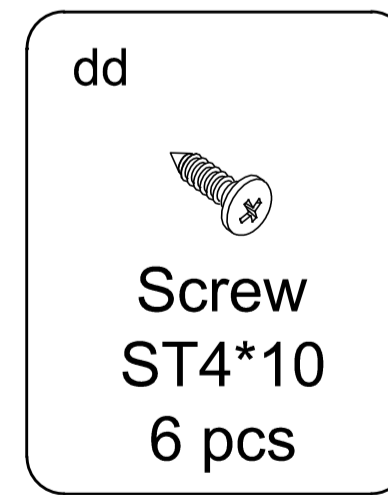
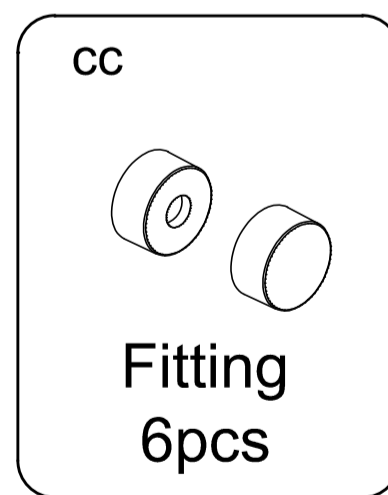
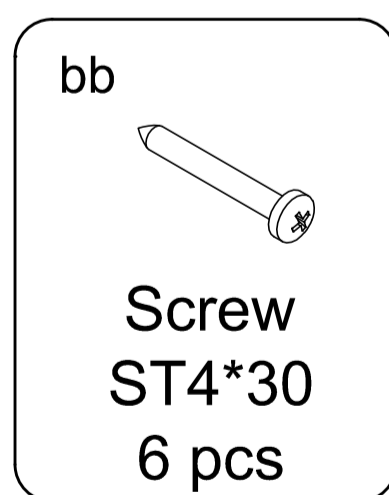
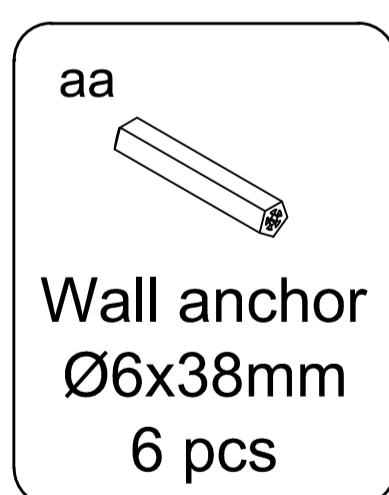




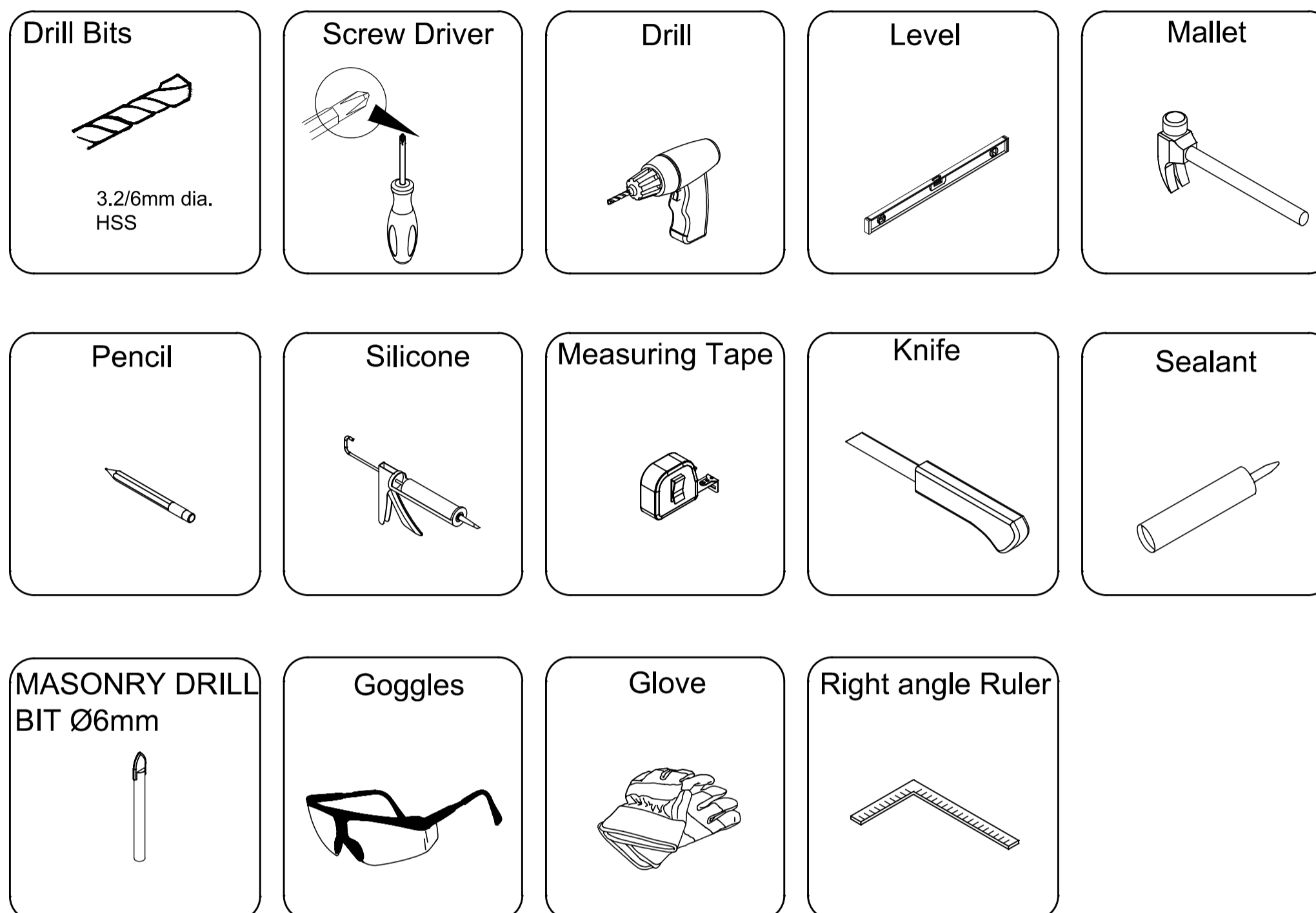
PACKAGE CONTENT



HARDWARE CONTENT



TOOLS REQUIRED



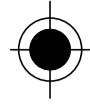
SAFETY INFORMATION

CAUTION

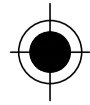
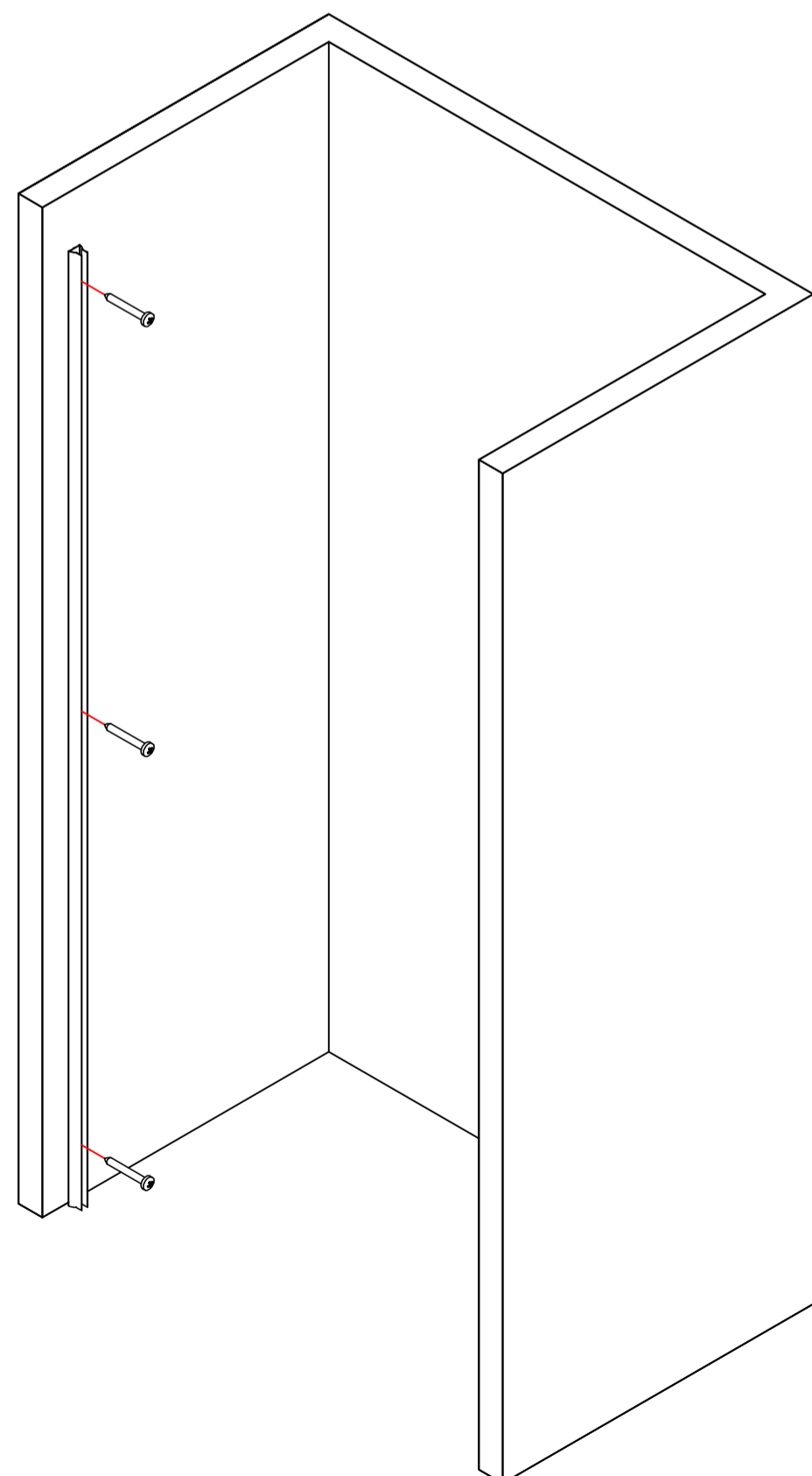
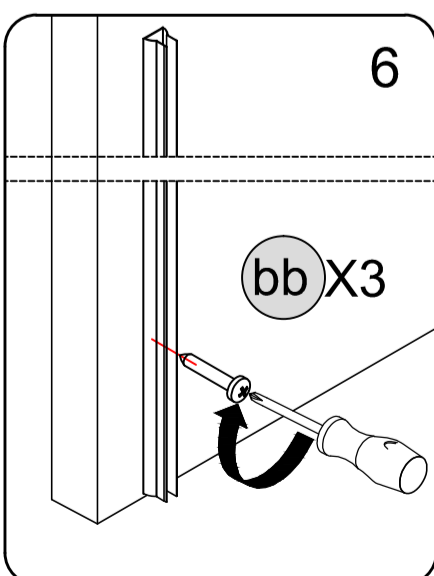
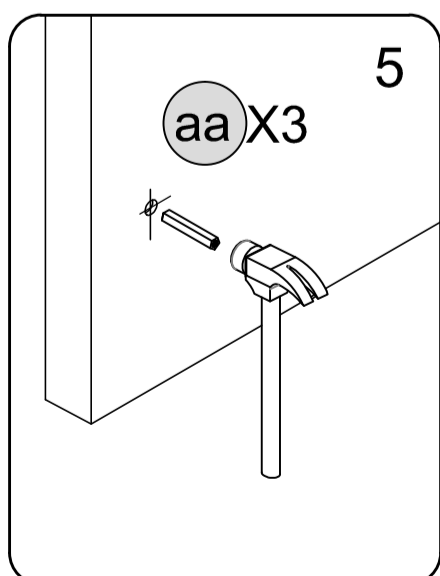
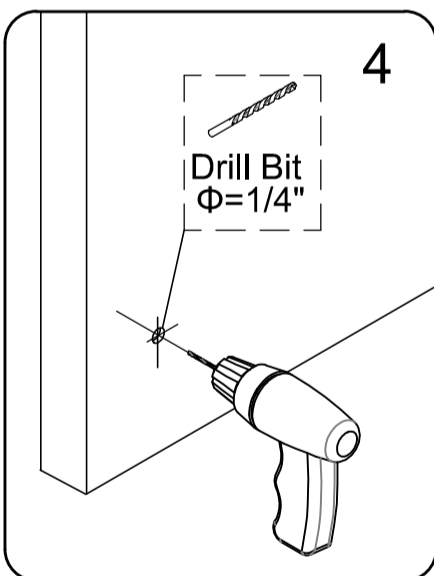
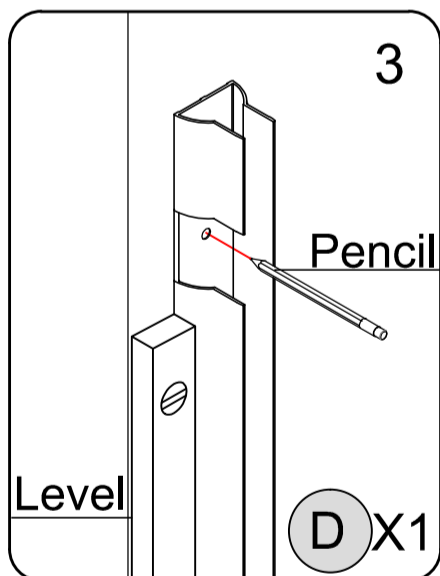
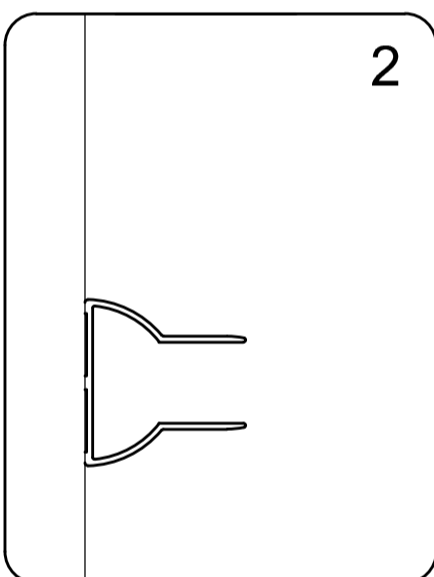
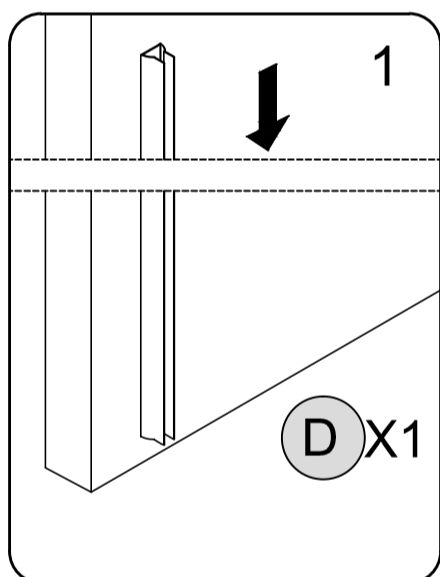
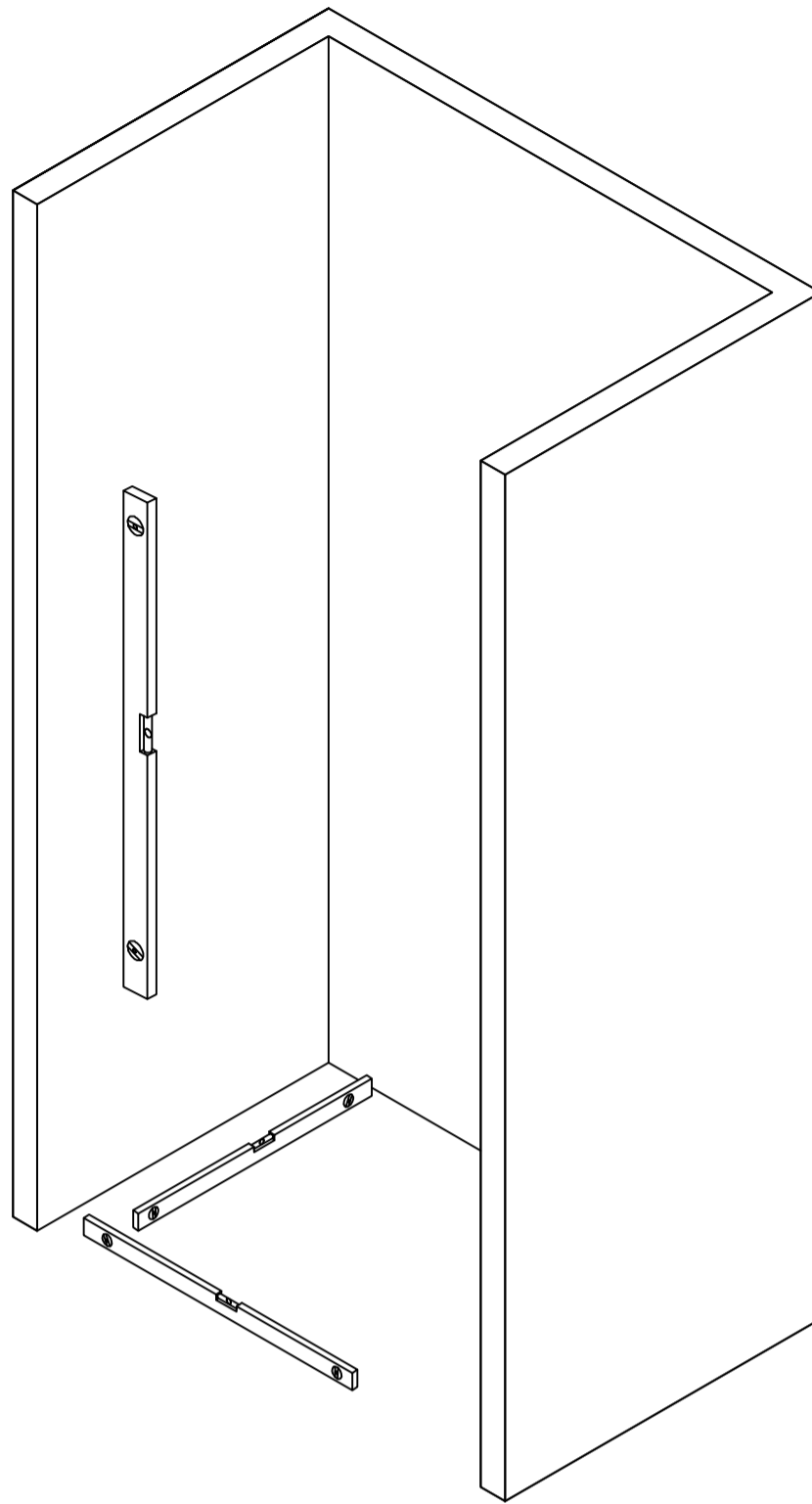
Please carefully read the following important safety information before handling or installing this shower. There is a risk of serious injury while handling this product. To minimize these risks, please note:

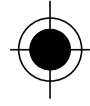
- Always wear safety glasses and gloves while handling.
- Always read and follow all the steps in the installation instructions.
- Inspect all contents and glass for damage before installation.
- Extreme caution should be taken while handling the glass during installation as the tempered glass may shatter if in contact with a hard surface.
- Handle the tempered glass with caution! Improperly handling the glass can cause it to break suddenly in small pieces (never in pointed fragments).
- Always take all precautions not to touch the tempered glass with any tools during the installation, or after installed.
- Do not cut or modify the tempered glass as it will shatter if cut.
- Carefully remove product from packaging and keep packaging until installation is complete.
- Inspect all parts for damage; if there is damage to the unit prior to installation, please contact customer service at the number provided in this guide.
- Install the shower on a floor that is level and able to accommodate the weight of the unit and an occupant.
- Consult local building codes and compliance standards prior to installation and ensure conformity.
- After installation, and from time to time, check the glass for fit and finish to ensure that nothing has come loose since installation.
- Keep this installation manual for future reference.

NOTE: Heavy product ! You will need at least two people to install this unit properly.

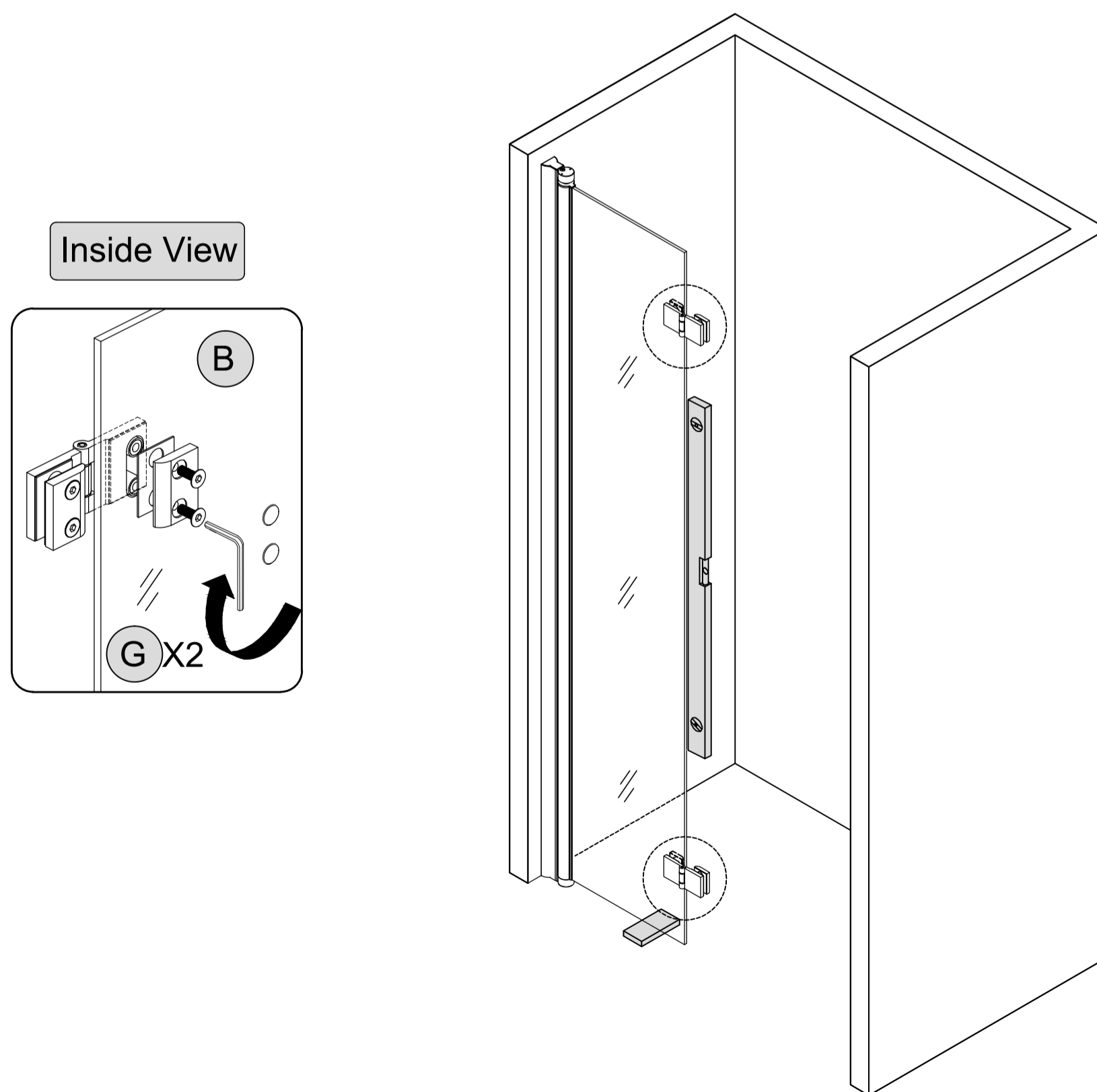
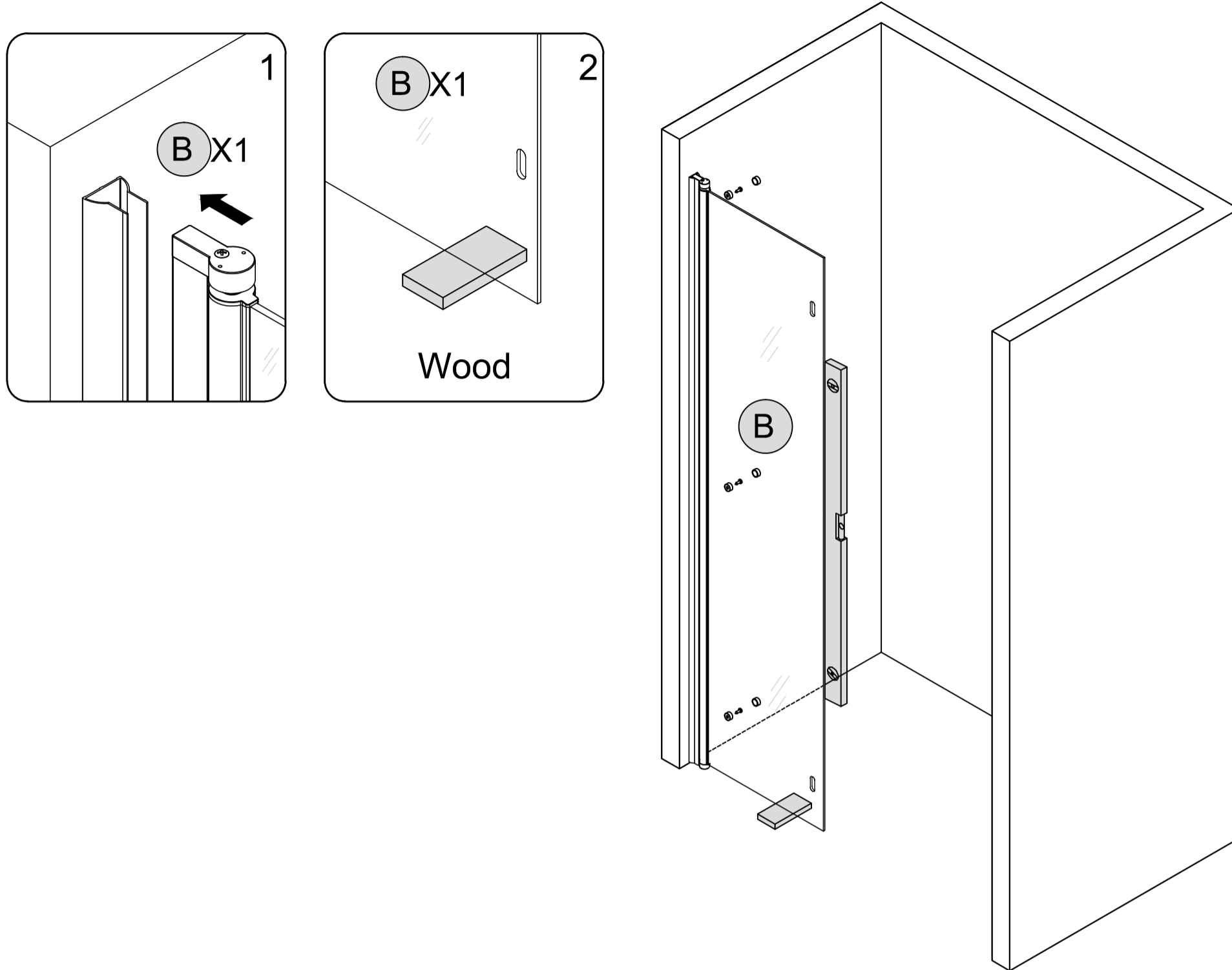


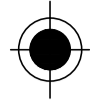
LEVEL & WALL JAMB INSTALLATION





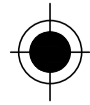
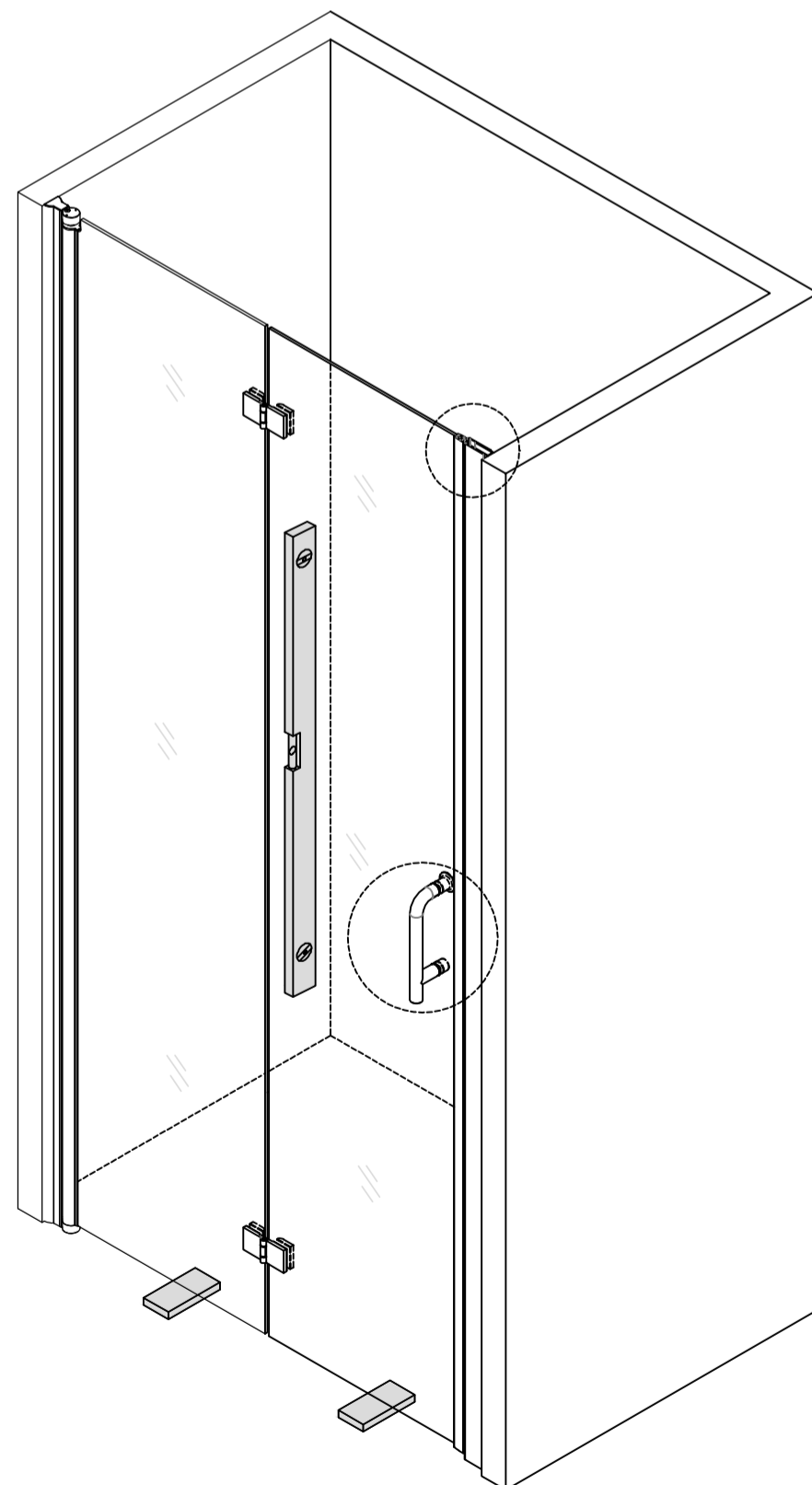
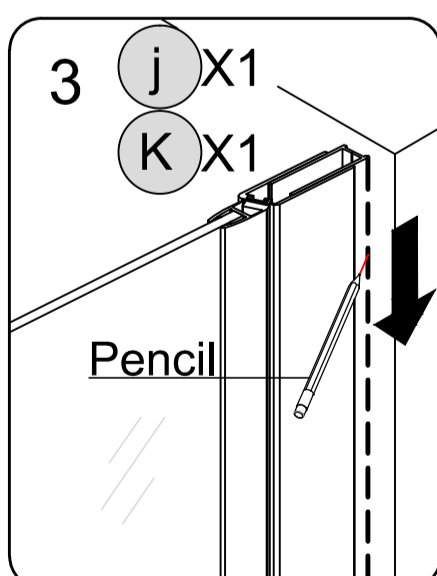
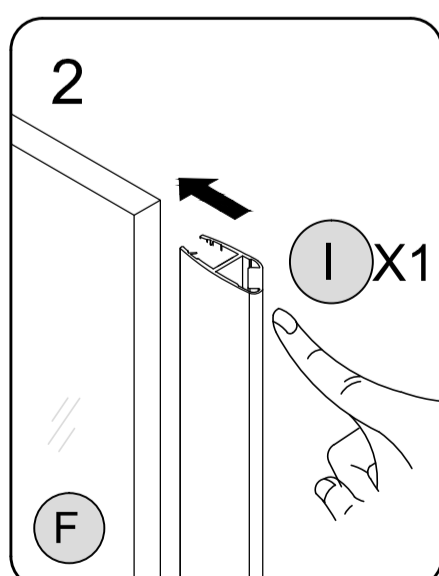
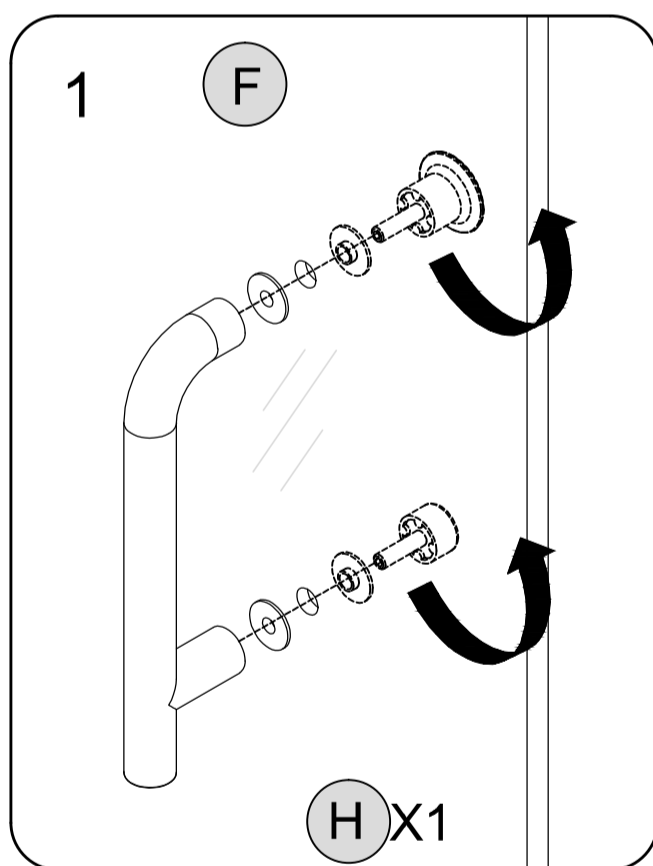
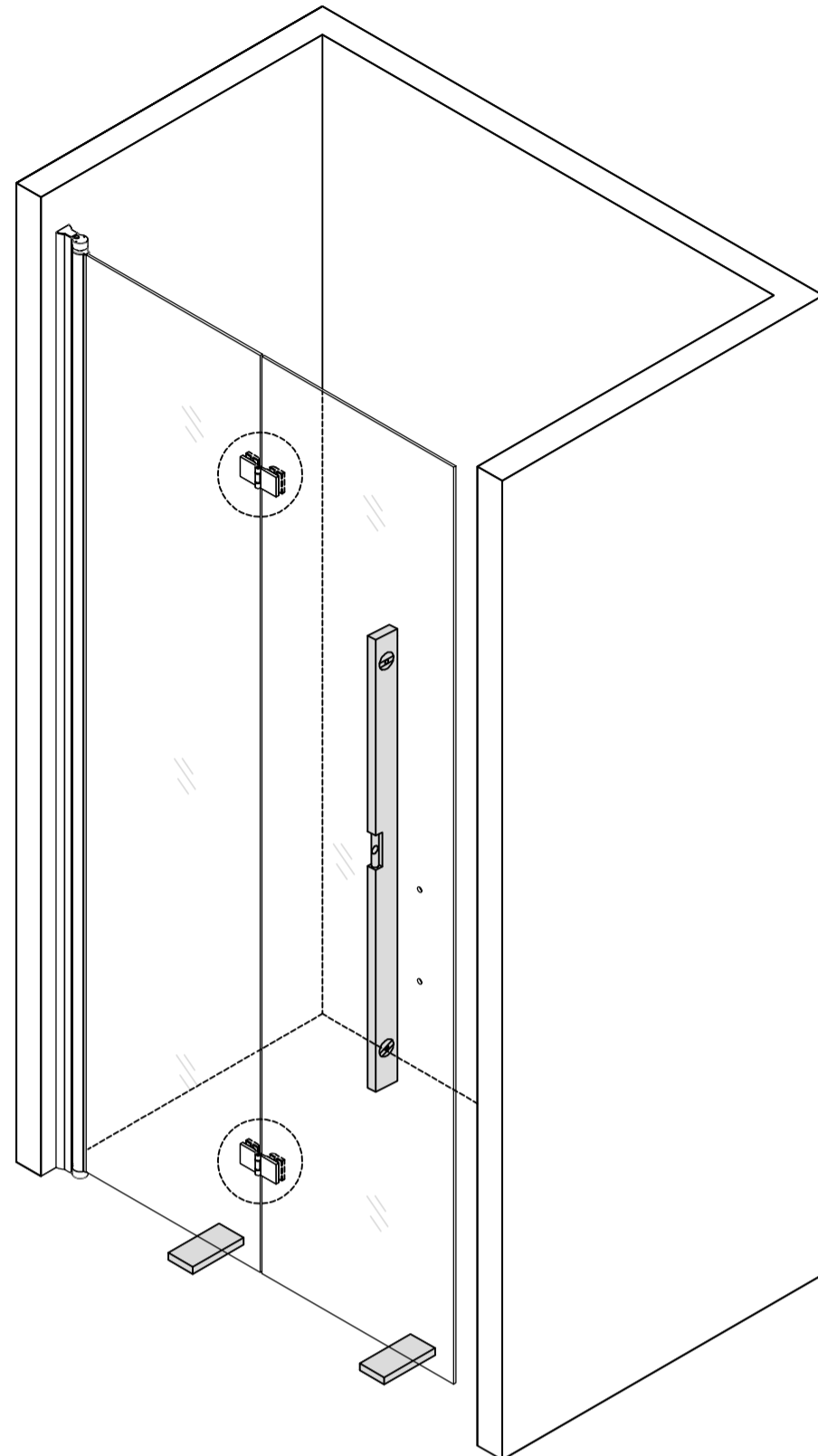
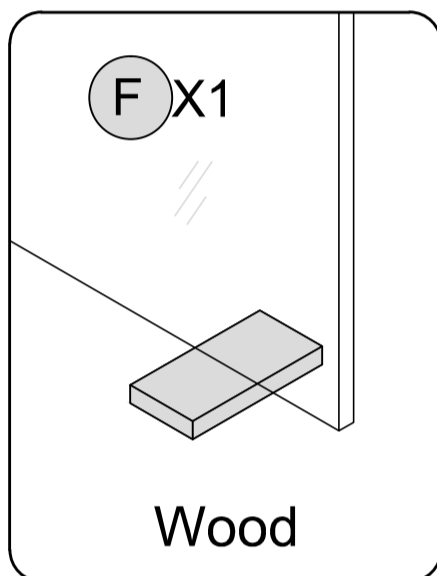
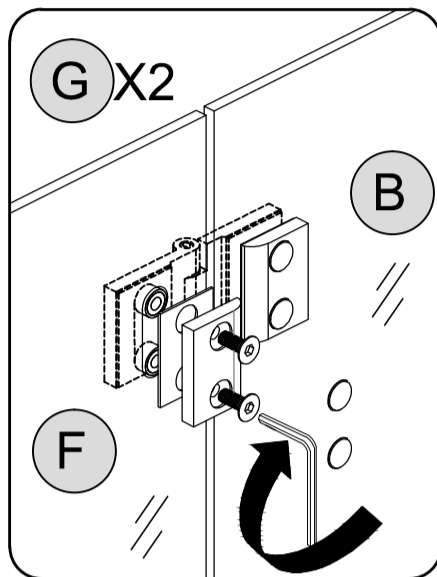
DOOR PANEL-1 & HINGE INSTALLATION

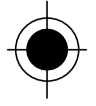




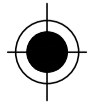
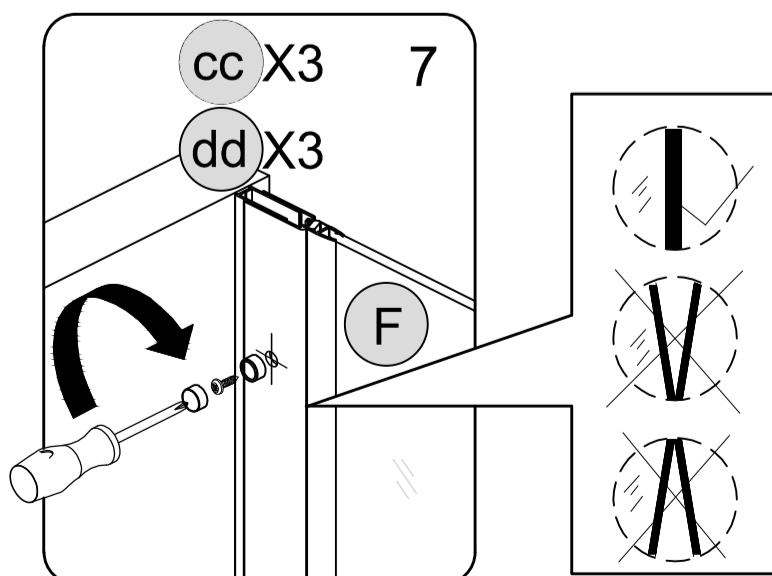
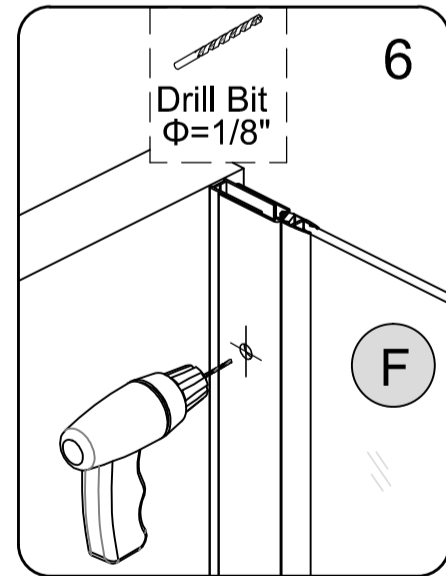
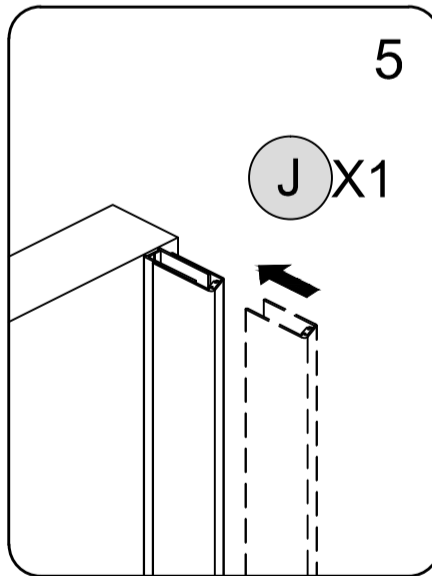
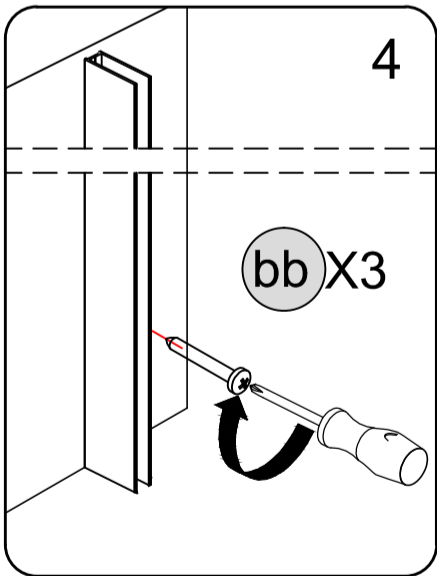
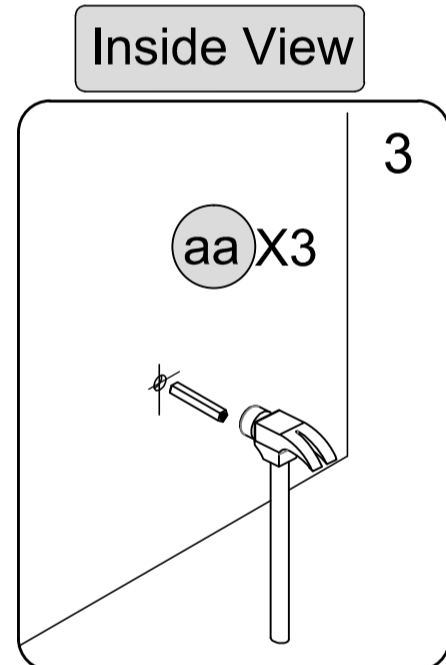
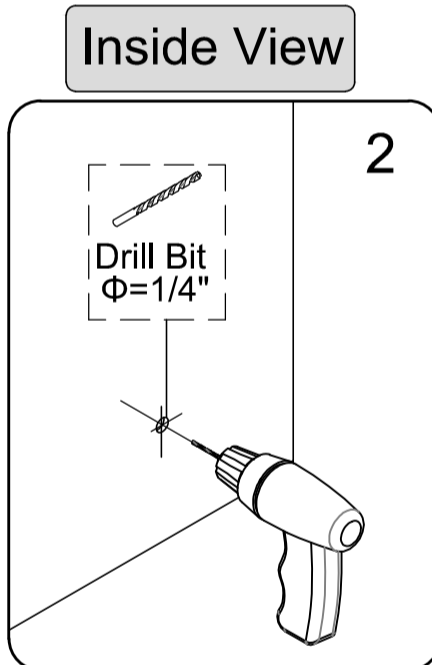
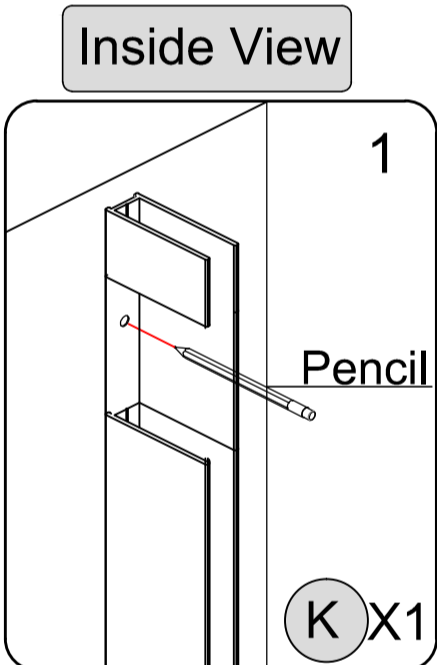
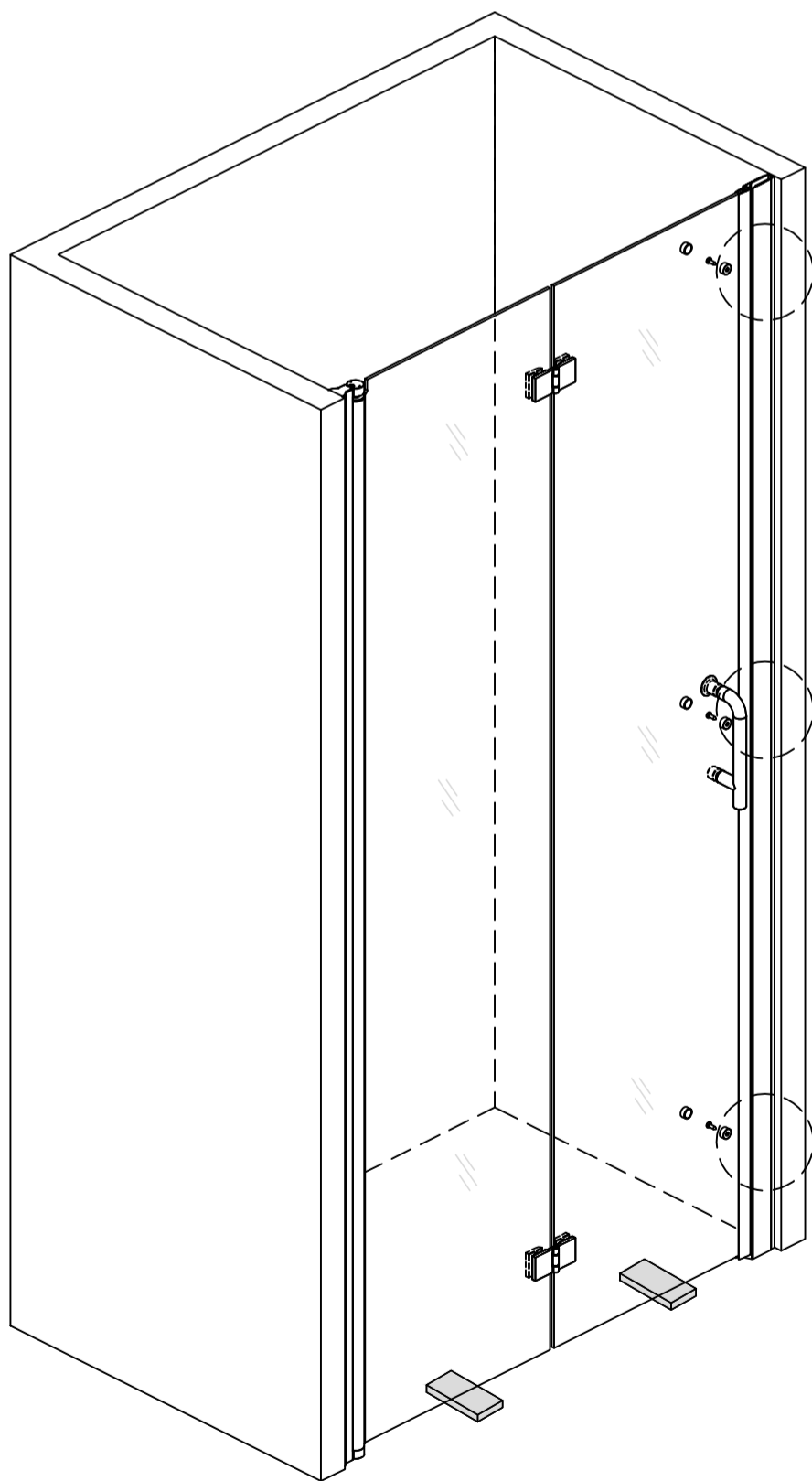
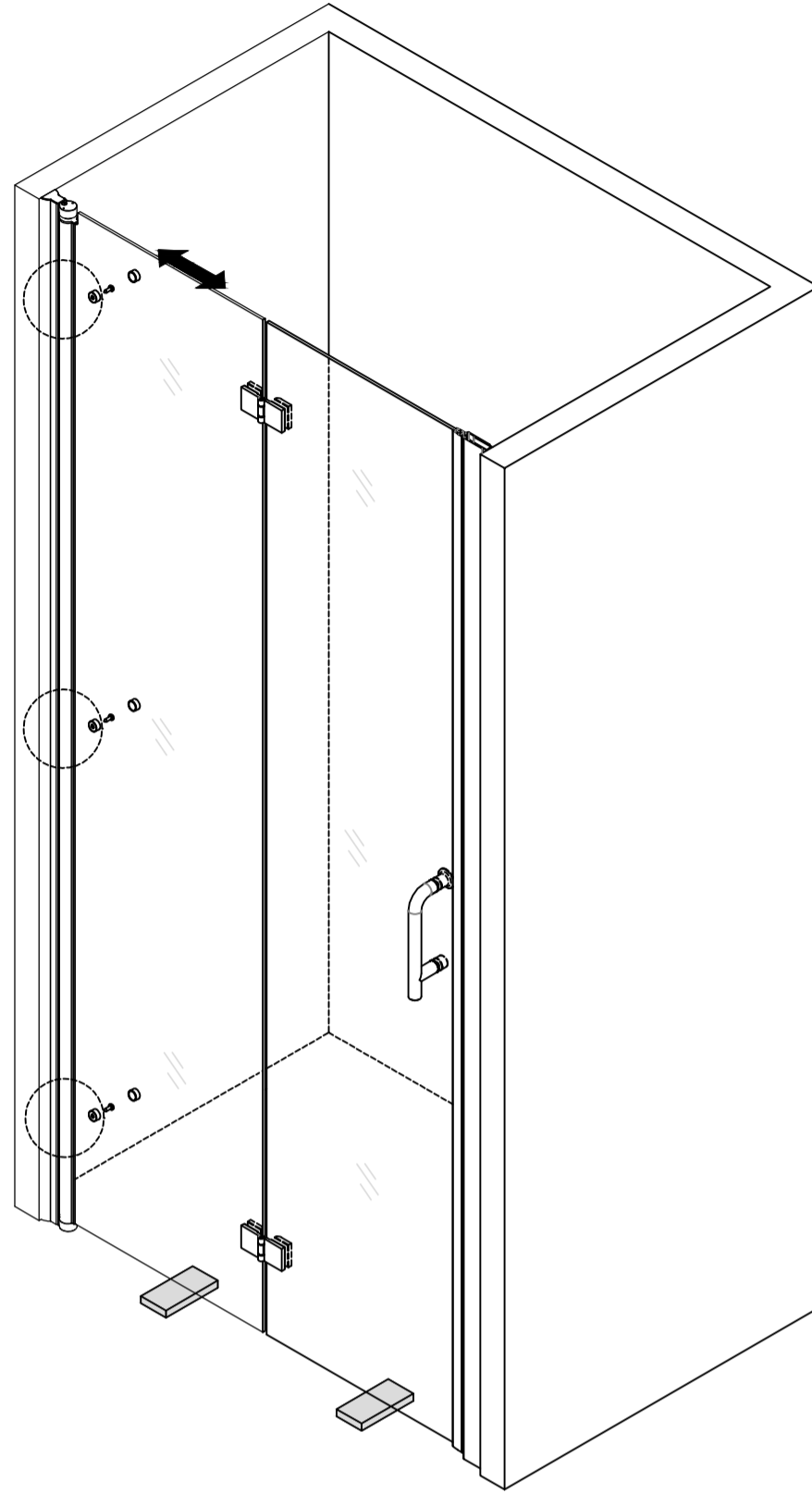
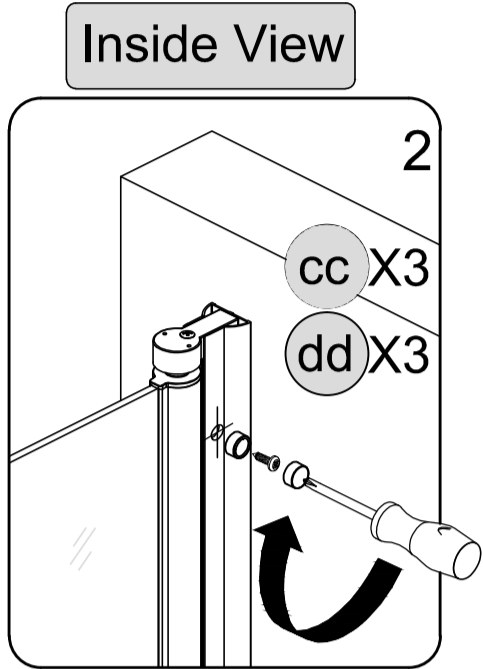
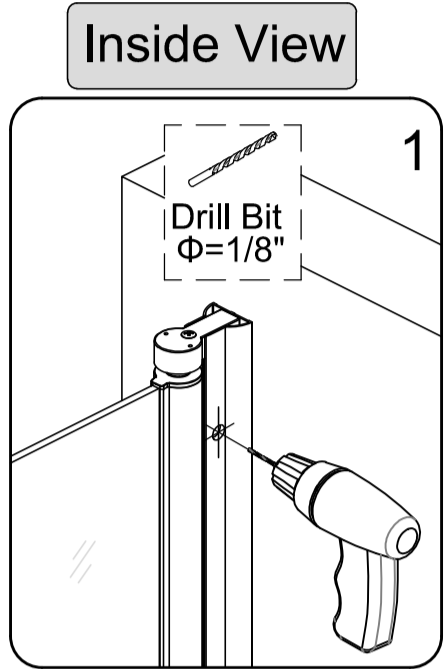
DOOR PANEL-2 & HANDLE INSTALLATION

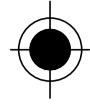
Inside View



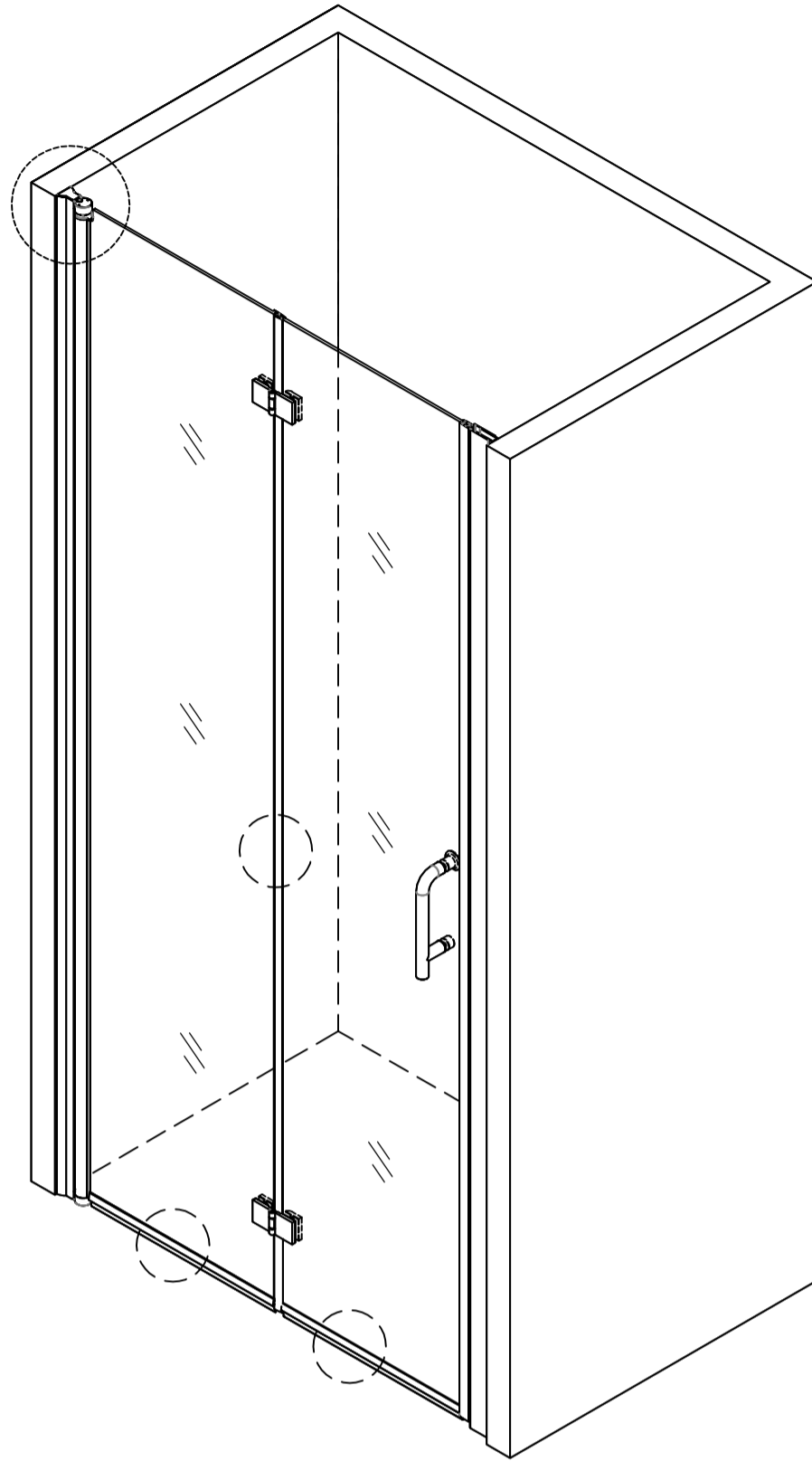
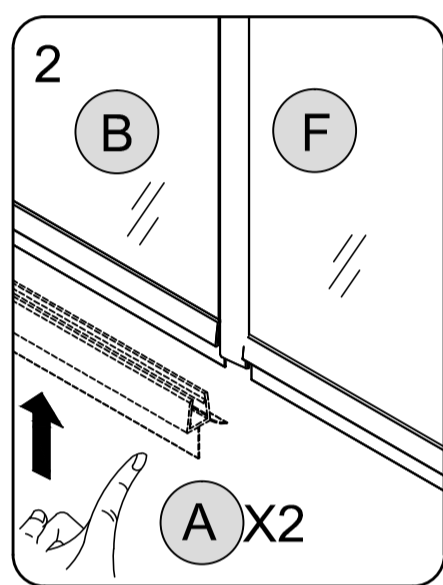
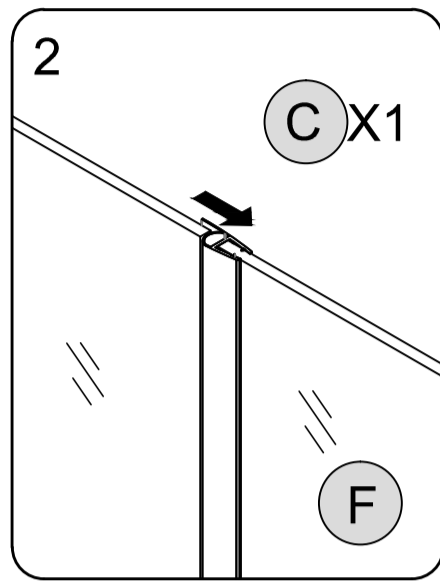
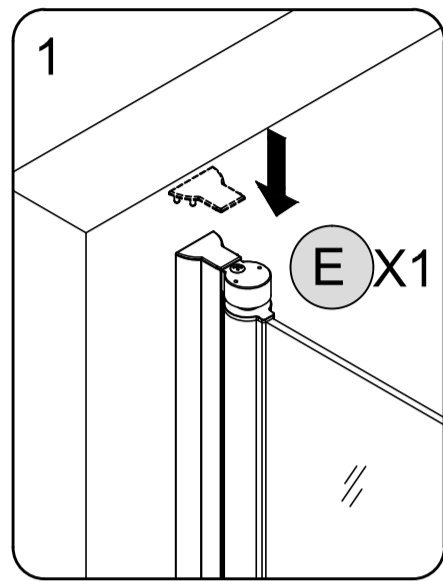


MAGNETIC STRIP INSTALLATION





TOP COVER CAP & GASKET INSTALLATION



SEALING

Ensure that the Shower door closes tightly and opens smoothly.
Apply a good quality silicone sealant along the wall Jamb(D)&(K) .
 Allow 24 hours for silicone to dry before use.



! Apply Silicone Sealant, (not supplied).

