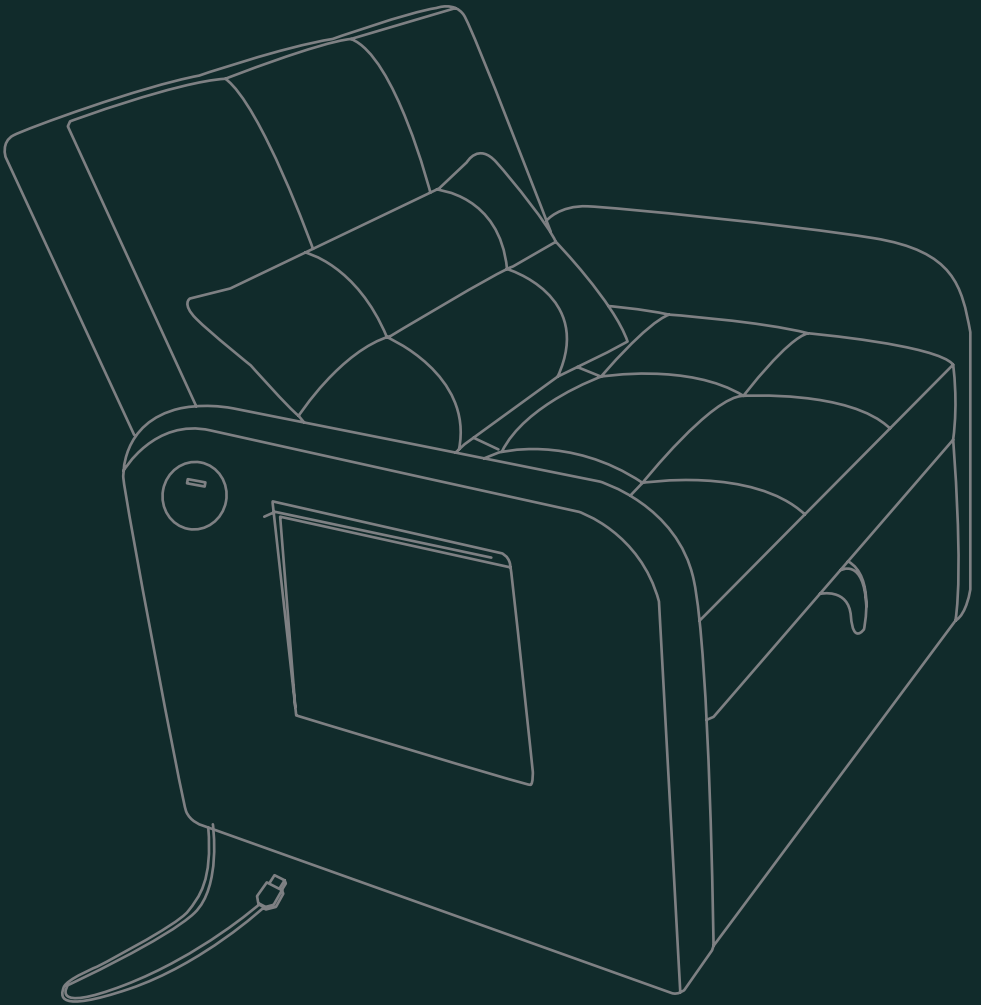


INSTRUCTION MANUAL



WARNING

 **Please read the instructions carefully and follow the assembly steps.**

To ensure proper assembly, please follow all steps and use all parts provided. Not following this warning may result in serious injury to you or others.

To prevent misalignments, keep the screws loose and do not tighten them until they are all in their correct positions.

Avoid overtightening or forcing the screws, as this could cause them to break, strip, or damage the threads of the holes.

Using the wrong size of screws for a particular part could cause damage to the screw or the part.

Please lubricate all moving parts regularly and tighten all bolts and screws every 6 months, or as needed.

SAFETY INFORMATION

WEIGHT CAPACITY FOR SEATING: 300LBS



Sit in the center of the chair with your back against the backrest



Do not sit at the front edge of the chair



Do not stand on the chair



Do not use the chair with more than one person



Do not push the chair around when a person is sitting in it



Do not push down on the backrest when a person is reclined



Do not place all your weight on the backrest only

ASSEMBLY PARTS AND TOOL

 **BEFORE YOU GET STARTED, A FEW POINTERS:**

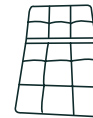


Having a friend to help makes assembly extra-easy



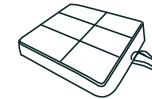
Please use the included wrench instead of an **ELECTRIC HAND DRILL** in case of damage to the product.

A



Cushion *1

B



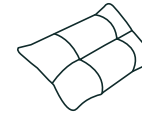
Expandable Padding *1

C



Armrest *2

D



Pillow *1

E



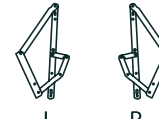
Rear Board *1

F



Front Board *1

G



Moveable Support *2

H



Bracket *2

I



Rung *2

J



Leg *4

K



Corner Iron *4

M



Connection Iron *2

N



Bolts M6x20mm *38

O



Bolts M6x40mm *4

P



Large Connection Iron *2

Q



Wrench *1

S



Plastic Spacer *4



Include Charging Plug

ASSEMBLY INSTRUCTIONS

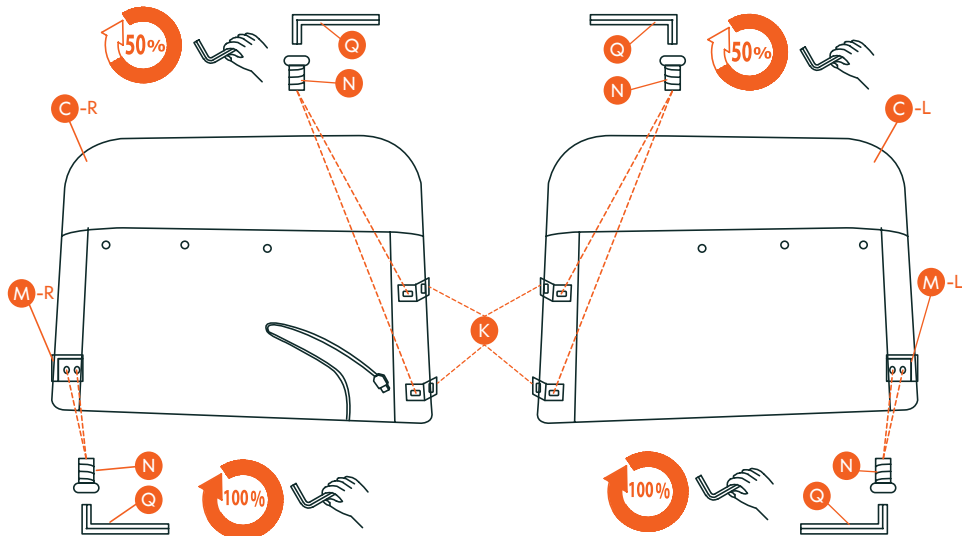
Tips: All accessories(A-S) will be labeled.

Step 1

Attach One Connection Iron M-R to the left side of Right Armrest C, and attach Two Corner Iron K to the right side of Right Armrest C, using Four M6x20mm Bolts N, tighten to 50% by Wrench Q. Finally, tighten to 100%.

Use the same step to finish the installation of Left Armrest C.

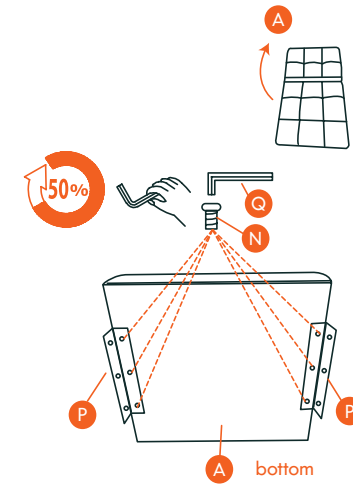
Note: Armrest C and Connection Iron M are marked with Letter "L" (left) or "R" (right) to show which sides they should be placed on.



ASSEMBLY INSTRUCTIONS

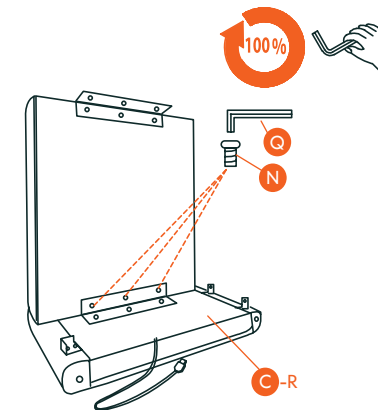
Step 2

Attach Two Large Connection Iron P to Cushion A, using Six M6x20mm Bolts N, tighten to 50% by Wrench Q.



Step 3

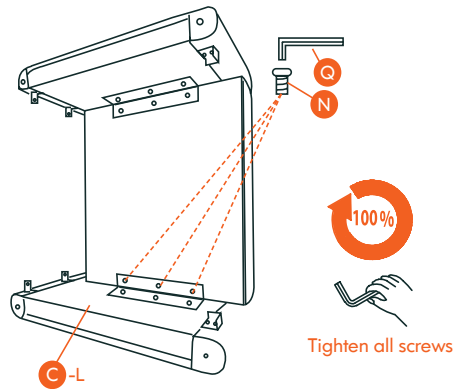
Cushion A is connected to Right Armrest C by Large Connection Iron P, align their screw holes, using Three M6x20mm Bolts N, then tighten all Bolts to 100% by Wrench Q.



ASSEMBLY INSTRUCTIONS

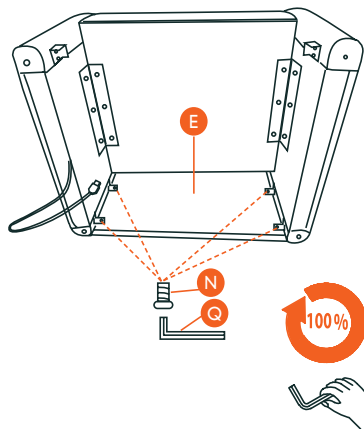
Step 4

Do the same way as Step 3 to finish the connection of Cushion A and Left Armrest C. Then the seat frame can be got.



Step 5

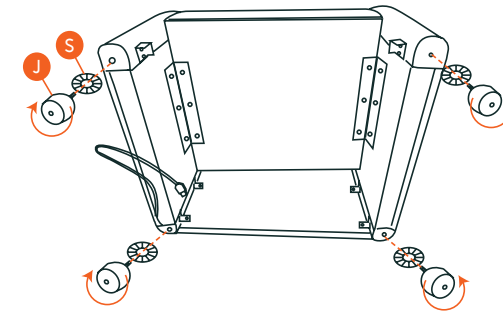
Attach Rear Board E to the two Armrest by Connecting Iron K, align their screw holes, using Four M6x20mm Bolts N, tighten by Wrench Q.



ASSEMBLY INSTRUCTIONS

Step 6

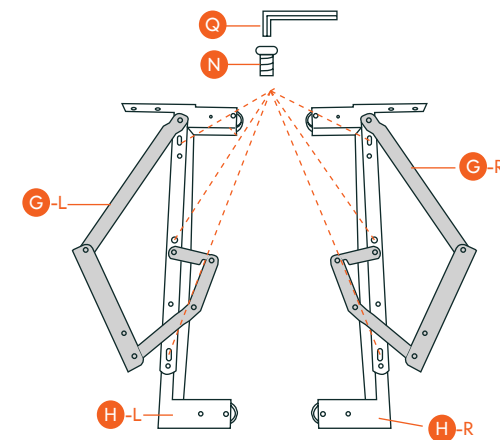
Put Four Plastic Spacer S on Leg J respectively, then attach Four Leg J to the seat frame by tighten. The chair body can be got.



Step 7

Attach the Right Moveable Support G to the Right Bracket H, using Three M6x20mm Bolts N, tighten by Wrench Q.
Use the same step to finish the installation of the Left Moveable Support G and the Left Bracket H.

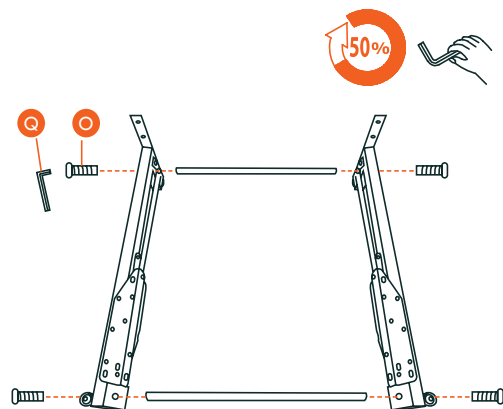
Noted: Moveable Support G and Bracket H are marked with Letter "L" (left) or "R" (right) to show which sides they should be placed on.



ASSEMBLY INSTRUCTIONS

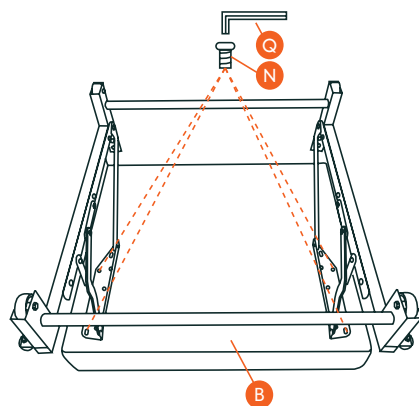
Step 8

Attach Two Rung I to finished iron frame, using Four M6x40mm Bolts O, tighten to 50% by Wrench Q. Then the iron frame base can be got.



Step 9

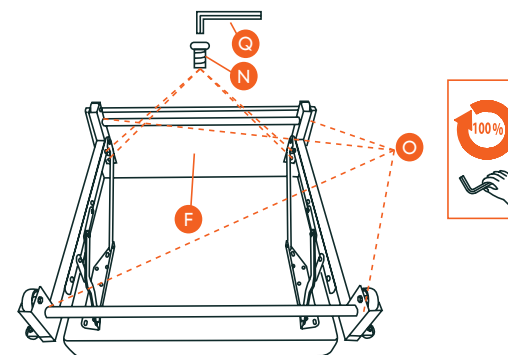
Put Expandable Padding B upside down on the ground, then attach the iron frame base to Expandable Padding B, using Four M6x20mm Bolts N, tighten by Wrench Q.



ASSEMBLY INSTRUCTIONS

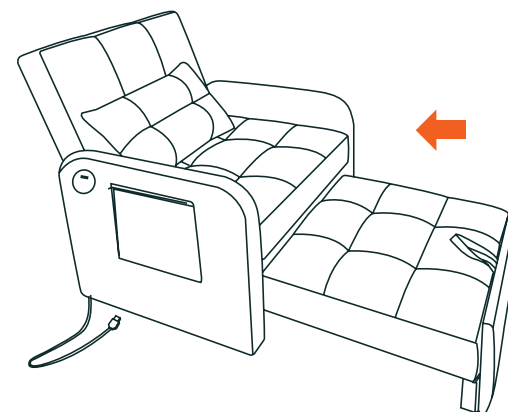
Step 10

Attach Front Board F to Bracket H, align their screw holes, using Four M6x20mm Bolts N, tighten by Wrench Q. Finally, tighten Four M6x40mm Bolts O to 100% by Wrench Q. The padding base can be got.



Step 11

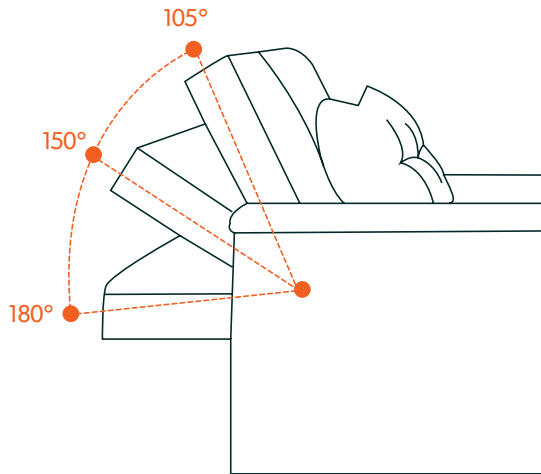
Push the finished padding base into the finished chair body, finally put Pillow D onto the chair. Now your multifunctional chair is successfully assembled.



PRODUCT DETAILS

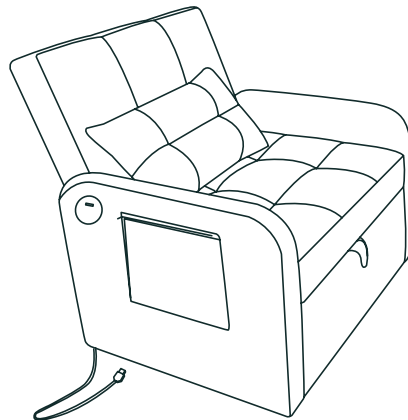
1. 3 Levels Adjustable Backrest:

The backrest can be adjusted to 105°-180°. Push-pull design, the backrest easily adjusts the angle.



2. Convert into Chair:

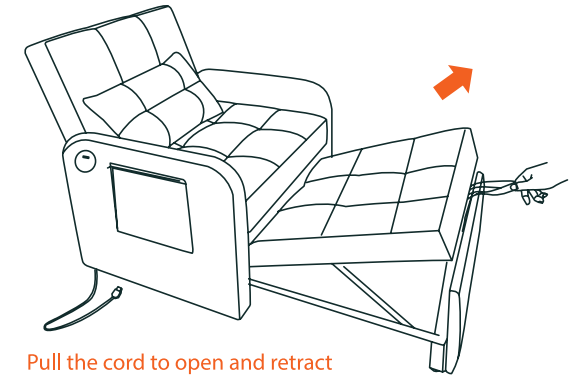
After assembled, a sofa chair will be got.



PRODUCT DETAILS

3. Convert into Recliner:

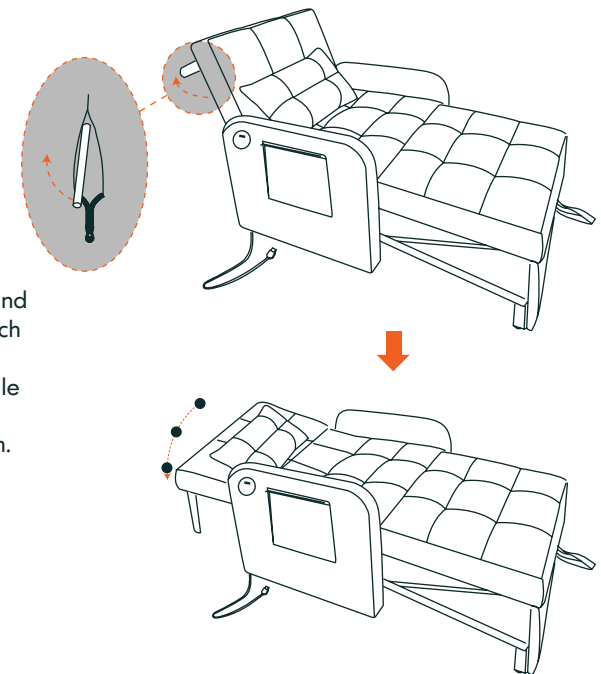
Pull out Expandable Padding, pull up and adjust it to the same level as the seat cushion, simply push and pull backrest to adjust the backrest angle.



Pull the cord to open and retract

4. Convert into Bed :

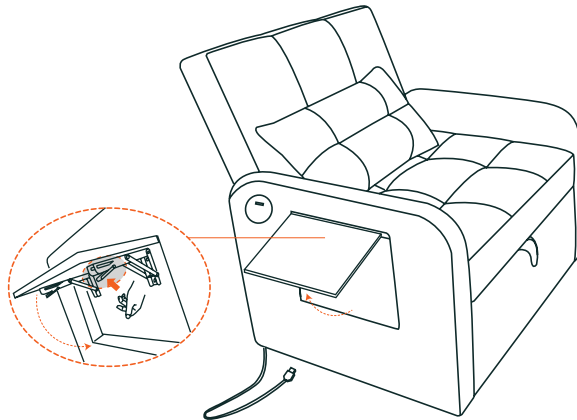
There are two zippers on the left and right side behind the backrest, which have the support legs used in bed form to provide strong support while you sleep. To adjust the backrest, simply push it inward to the bottom.



PRODUCT DETAILS

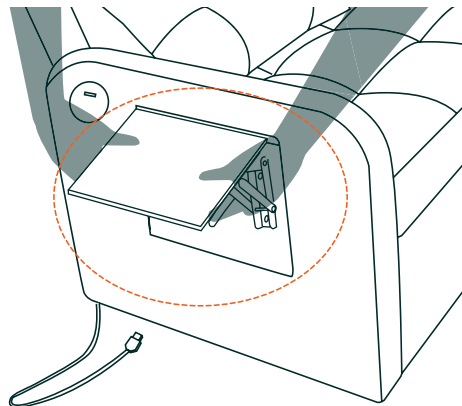
5. Wing Table-Unfolded:

Lift it straight up with hand simply.



6. Wing Table-Folded:

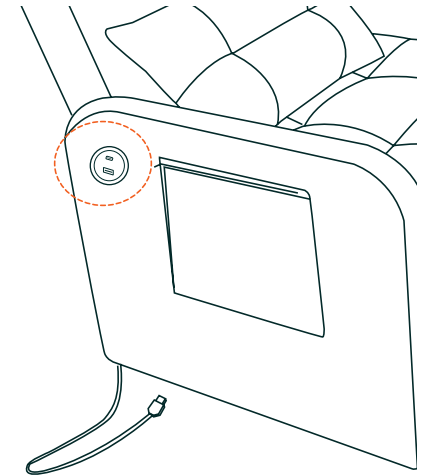
Squeeze the two small levers under the table with both hands to reach the folded state.



PRODUCT DETAILS

7. USB Interface:

The right armrest has two types of USB ports charging function, which can realize the power supply of devices conveniently.



LIMITED WARRANTY

Promises to repair or replace any chair that is found to be defective in material or workmanship within one year from the date of original purchase so long as you, the original purchaser, still owns it. This is your sole and exclusive remedy. This warranty is subject to the provisions below.

EXCLUSIONS

This warranty does not apply and no other warranty applies to:

- Normal wear and tear, which are to be expected over the course of ownership.
- Misuse, abuse, or excessive use of the product.
- Modifications or attachments to the product that are not approved.
- Products that were not installed, used, or maintained in accordance with product instructions and warnings.
- Products used for rental purposes or unauthorized retail activities.

Seating Usage: Normal use for seating is identified as the equivalent of a single shift, forty- (40) hour workweek. To the extent that a seating product is used in a manner exceeding this, the applicable warranty period will be reduced in a pro-rata manner.

RETURN POLICY

We adopt a 30-day return policy which means that all products purchased on this website may be returned to us within the timeframe. You need to contact us within 30 days after the product(s) came into your possession and the product(s) must be returned to us without any undue delays.

Returned products must be returned in the same condition as they were sent and they must be sent in their original packaging.

If the product is not faulty, (i.e. if you changed your mind or if you are unhappy with the product for some other reason), the cost of shipping will fall on you. And it is your responsibility that the package arrives safely to us so we recommend that you use a courier service where it is possible to track the shipment.

LIMITED WARRANTY

If the product is faulty when you receive it, please contact us and we will help you out.

We reserve the right to give a partial refund in cases when the product(s) is not in an unused condition, is damaged or has missing parts, not due to our error.

HOW RETURNS WORK

To request a return, please fill out the contact form on our website and attach a copy of your invoice as proof of purchase and the reason for your return in the message.

Then we will provide the return address for the product as soon as possible.

Once the returned product has been received by us and inspections have been completed, a specific disposition will be provided to you.

In addition, if the return is approved, the refund amount will be automatically credited to your original payment method.