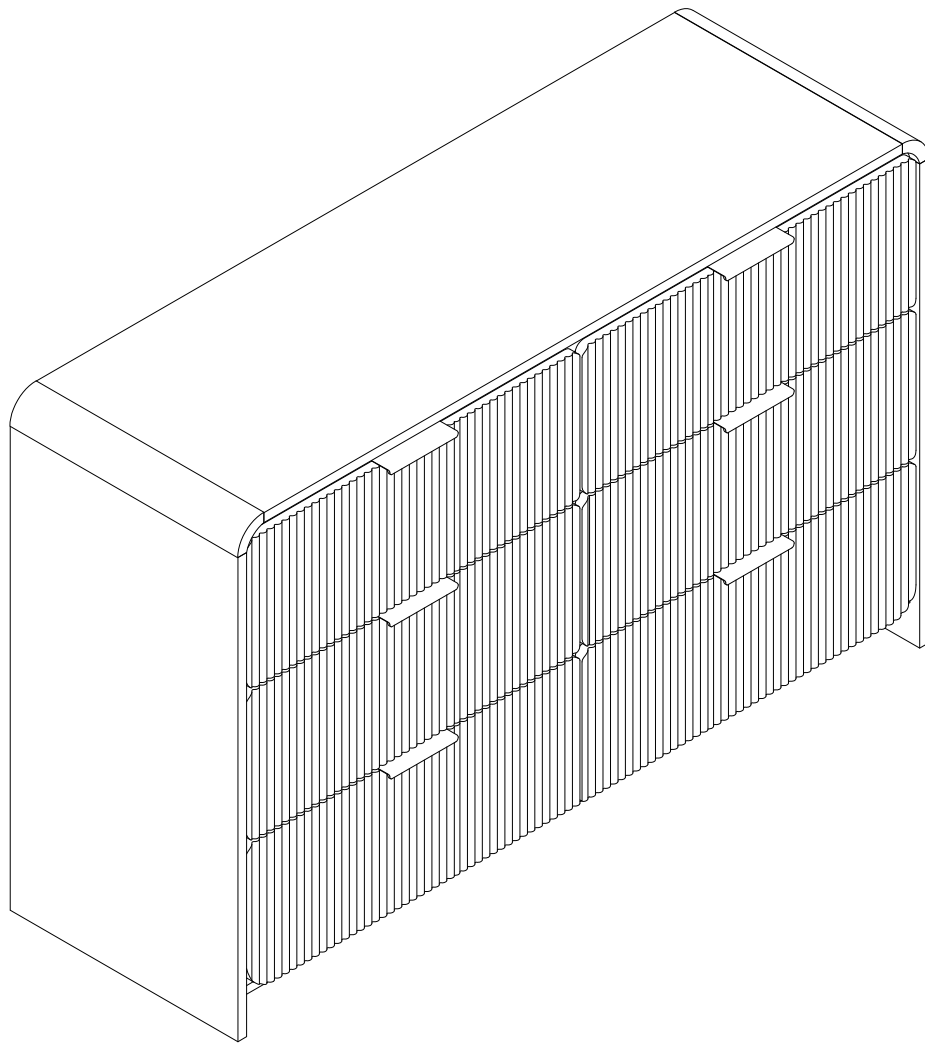


# Assembly Instructions

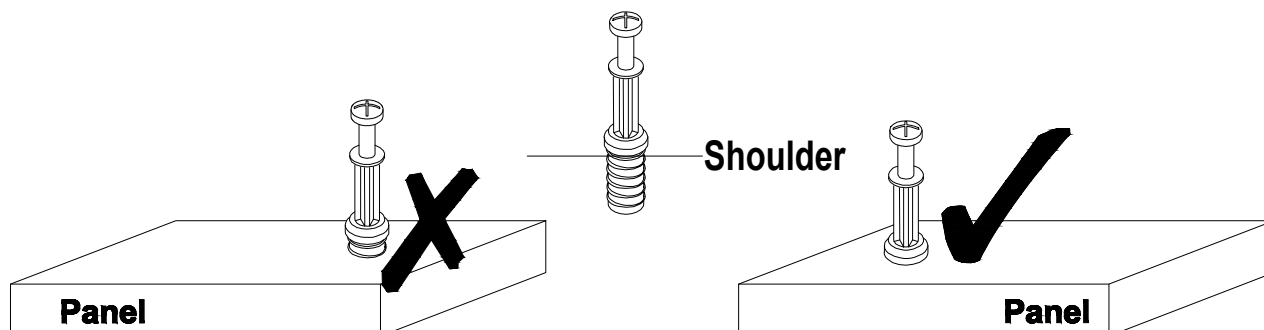


# Before Assembly

## Tips Before Your Start:

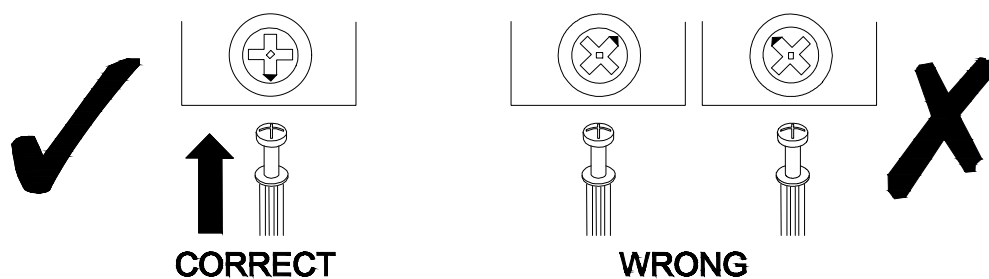
- Remove all wrapping material, including staples & packing straps before you start to assemble.
- DO NOT tighten all screws and bolts until the assembly is completely assembled.
- Keep all hardware parts out of reach of children.

## QUICKFIT



Tighten quickfit until shoulder is flush with panel. Do not overtighten or undertighten.

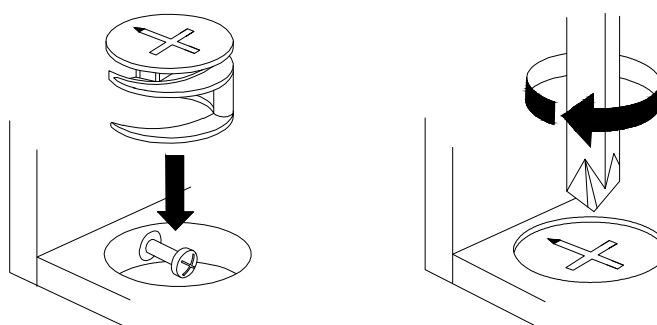
## CAM LOCK



When fitting a cam lock, ensure the starting position is correct before inserting the connecting QUI CKFIT

Quickfit head should be in the centre of the cam lock when the two panels are joined.

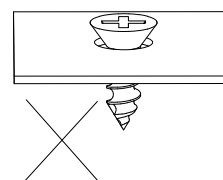
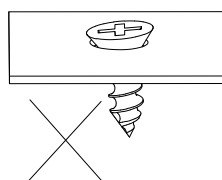
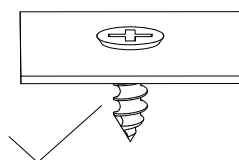
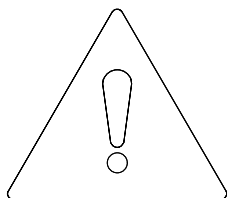
Cam lock should be inserted before quickfit.



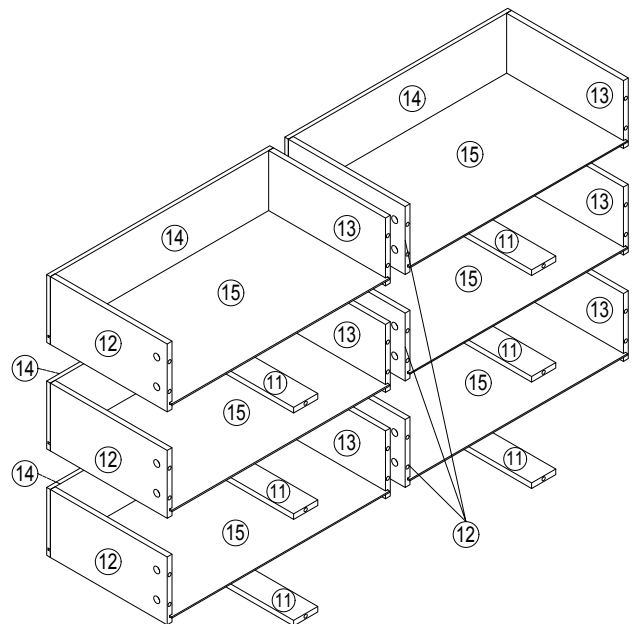
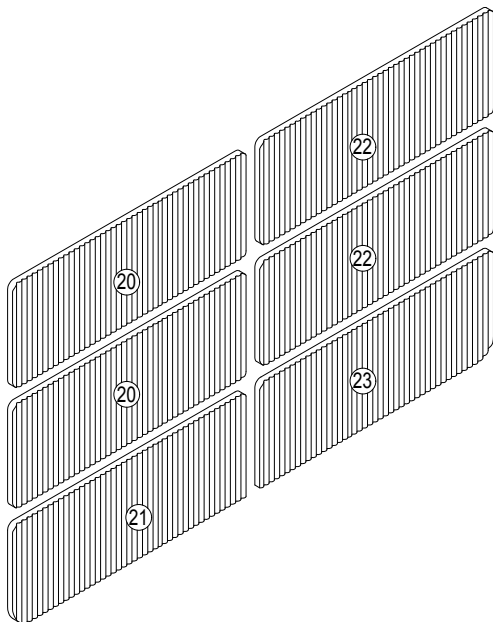
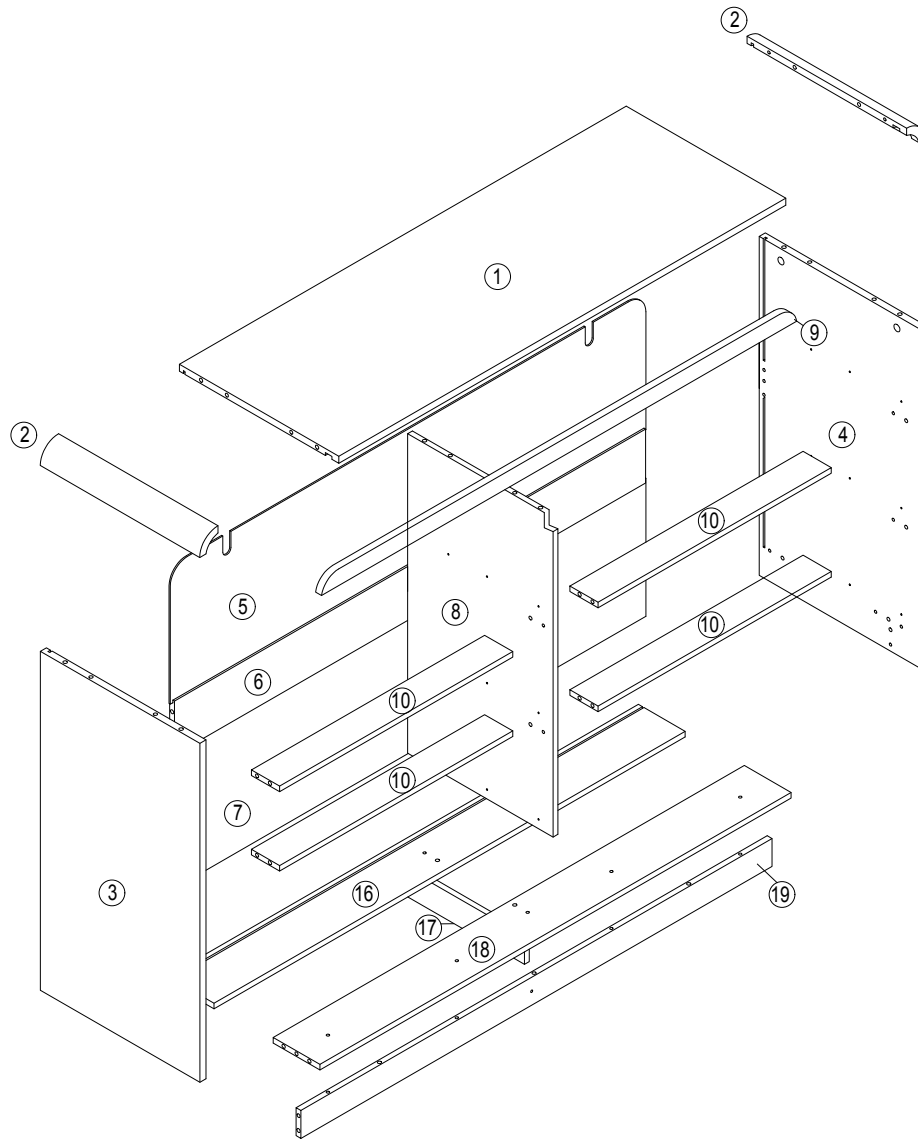
Turn cam lock clockwise to tighten.

**SAFETY TIPS:**Static charge may cause dust on foam - clean with a dry or damp cloth.Small foam strands may be present - handle gently and dispose of properly.Do not bur or incinerate. Check local recycling guidelines.

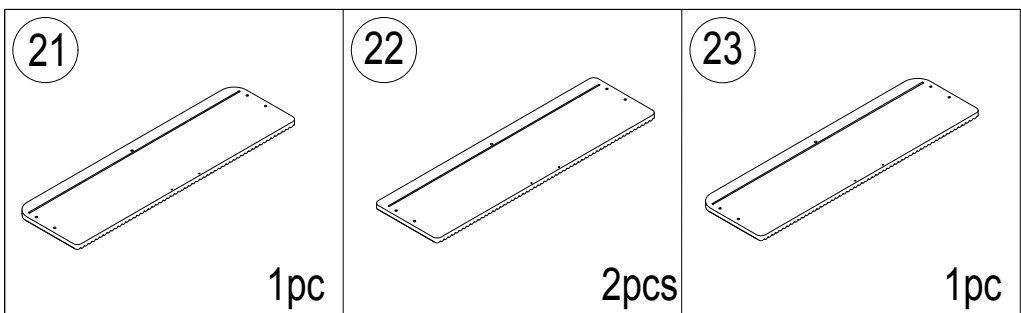
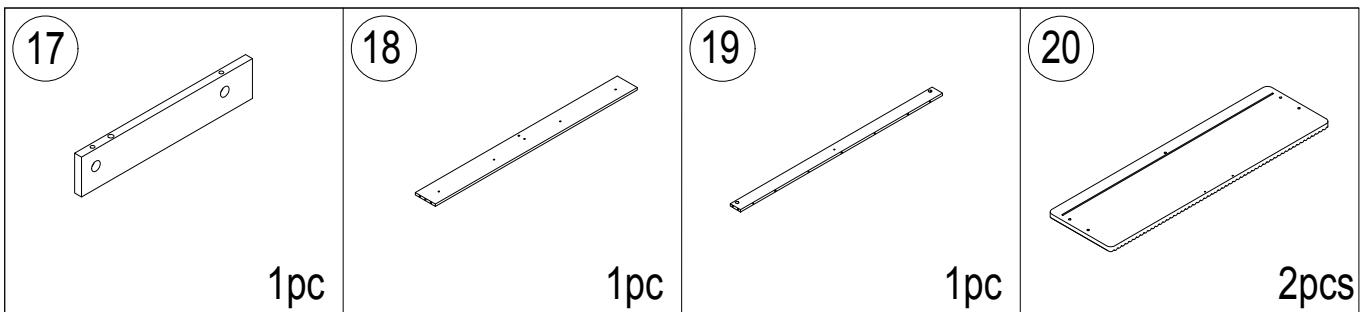
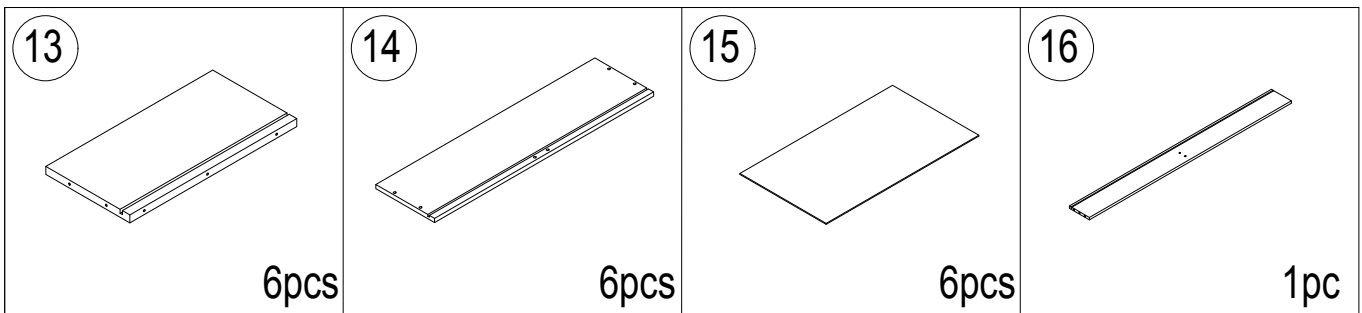
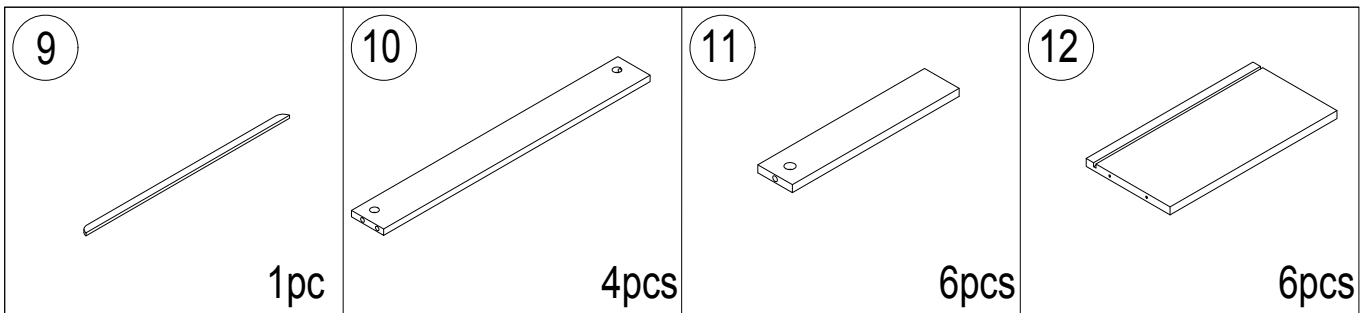
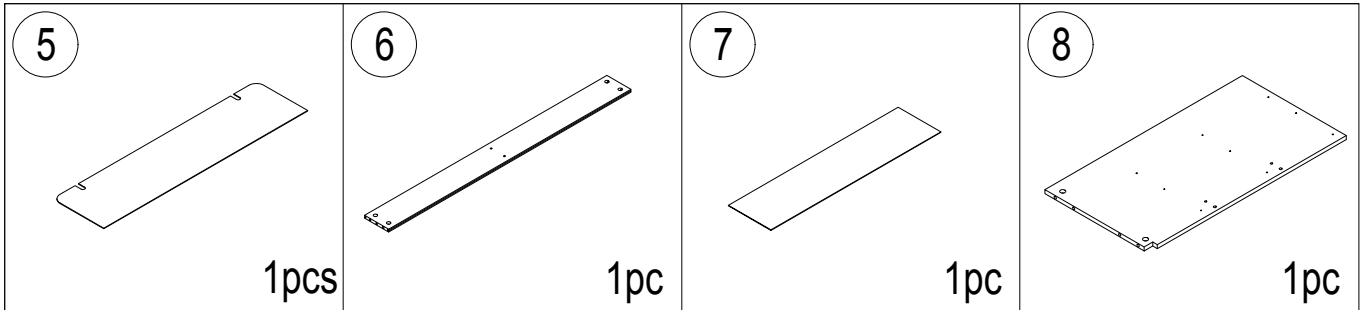
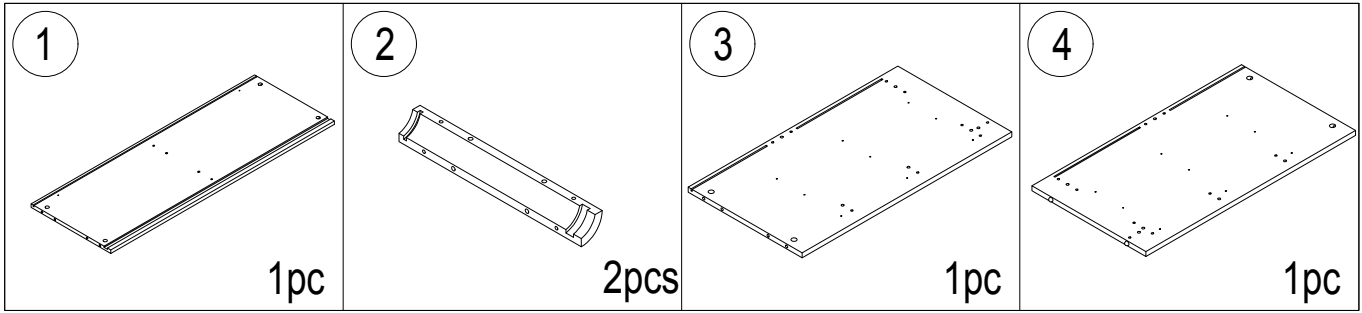
**Please kindly note the following points when you assemble the sliders of the drawers**



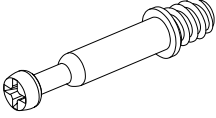


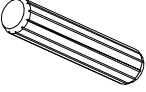
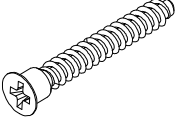
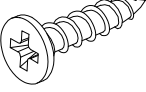
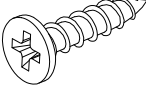
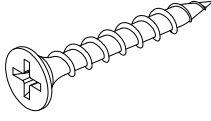
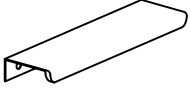
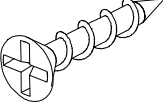
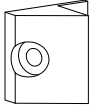
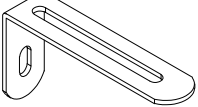
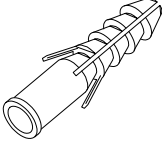
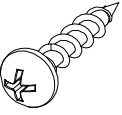
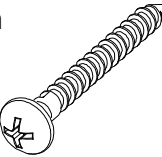
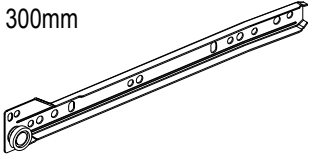
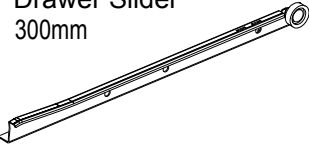
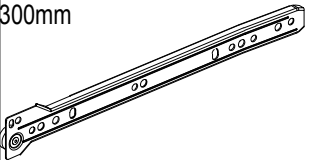
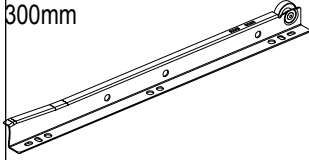
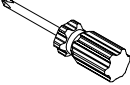
# Product structure



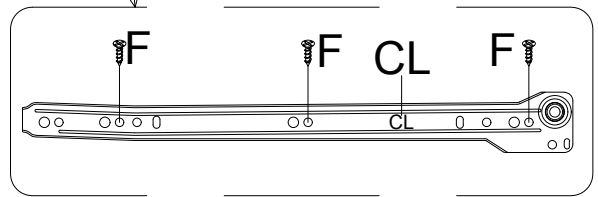
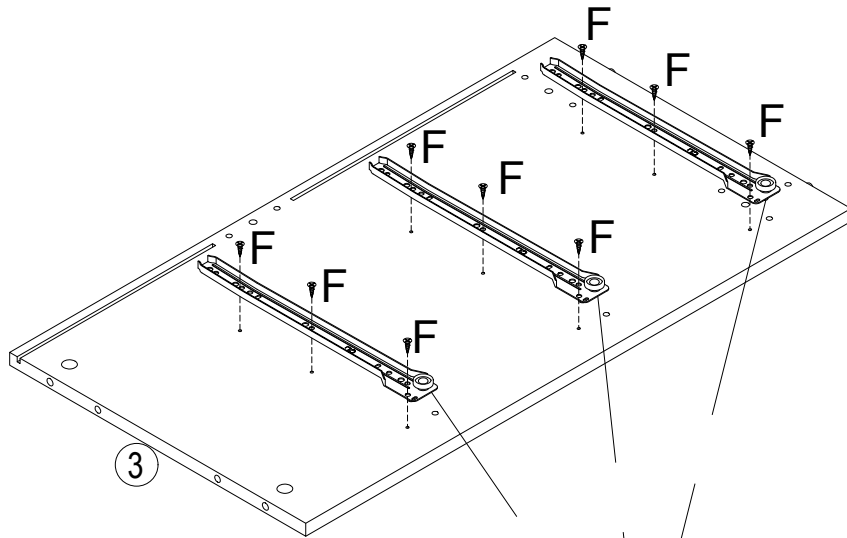
# Parts-List



# Hardware List

|   |  |  |   |
|---|--|--|---|
| <p><b>No. A</b><br/>Quantity: 64+2 PCS<br/>Cam Bolt<br/>ø6x33.5mm</p>        | <p><b>No. B</b><br/>Quantity: 64+2 PCS<br/>Cam<br/>ø15x9.5mm</p>        | <p><b>No. C</b><br/>Quantity: 64+2 PCS<br/>Sticker<br/>ø20mm</p>             | <p><b>No. D</b><br/>Quantity: 32+2 PCS<br/>Dowel<br/>ø6x30mm</p>                             |
| <p><b>No. E</b><br/>Quantity: 9 PCS<br/>Screw<br/>ø5x48mm</p>                | <p><b>No. F</b><br/>Quantity: 72+2 PCS<br/>Screw<br/>ø3.5x12mm</p>      | <p><b>No. G</b><br/>Quantity: 12 PCS<br/>Screw<br/>ø3.5x12mm</p>             | <p><b>No. H</b><br/>Quantity: 36+2 PCS<br/>Screw<br/>ø4x30mm</p>                             |
| <p><b>No. I</b><br/>Quantity: 6 PCS<br/>Screw<br/>L120mm</p>               | <p><b>No. J</b><br/>Quantity: 19+1 PCS<br/>Screw<br/>ø3x16mm</p>      | <p><b>No. K</b><br/>Quantity: 19+1 PCS<br/>Back Buckle<br/>15x15x10mm</p>  | <p><b>No. L</b><br/>Quantity: 2 PCS<br/>L-Shaped anti tipping iron bar<br/>76x15x30mm</p>  |
| <p><b>No. M</b><br/>Quantity: 2 PCS<br/>Plastic Expansion<br/>ø8x40mm</p>  | <p><b>No. N</b><br/>Quantity: 2 PCS<br/>Screw<br/>ø4x12mm</p>         | <p><b>No. O</b><br/>Quantity: 2 PCS<br/>Screw<br/>ø4x38mm</p>              | <p><b>No. CL</b><br/>Quantity: 6 PCS<br/>Drawer Slider<br/>300mm</p>                       |
| <p><b>No. DR</b><br/>Quantity: 6 PCS<br/>Drawer Slider<br/>300mm</p>       | <p><b>No. CR</b><br/>Quantity: 6 PCS<br/>Drawer Slider<br/>300mm</p>  | <p><b>No. DL</b><br/>Quantity: 6 PCS<br/>Drawer Slider<br/>300mm</p>       | <p><b>No. R</b><br/>Quantity: 1 PC<br/>Screwdriver<br/>L=150mm</p>                         |

# STEP 1

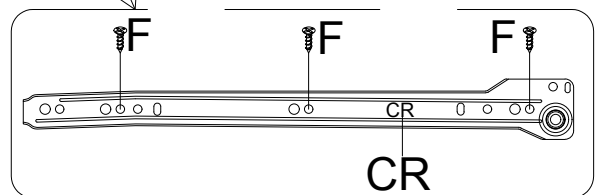
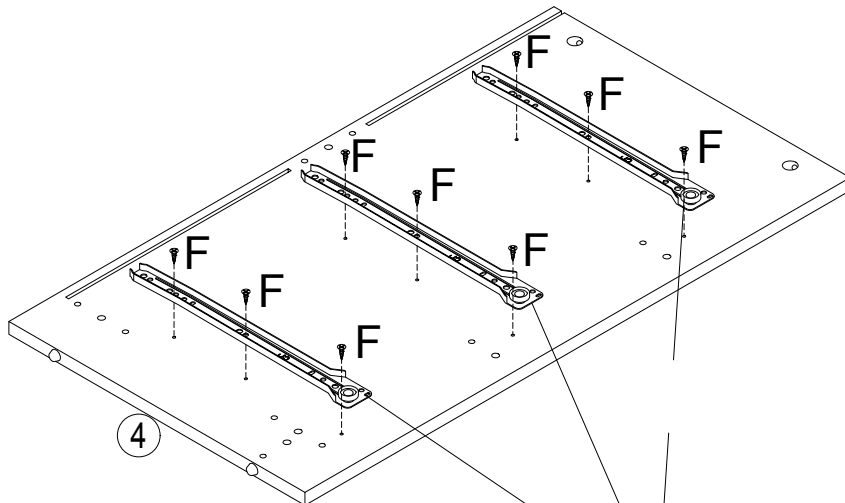


CL\*3PCS



F\*9PCS

# STEP 2

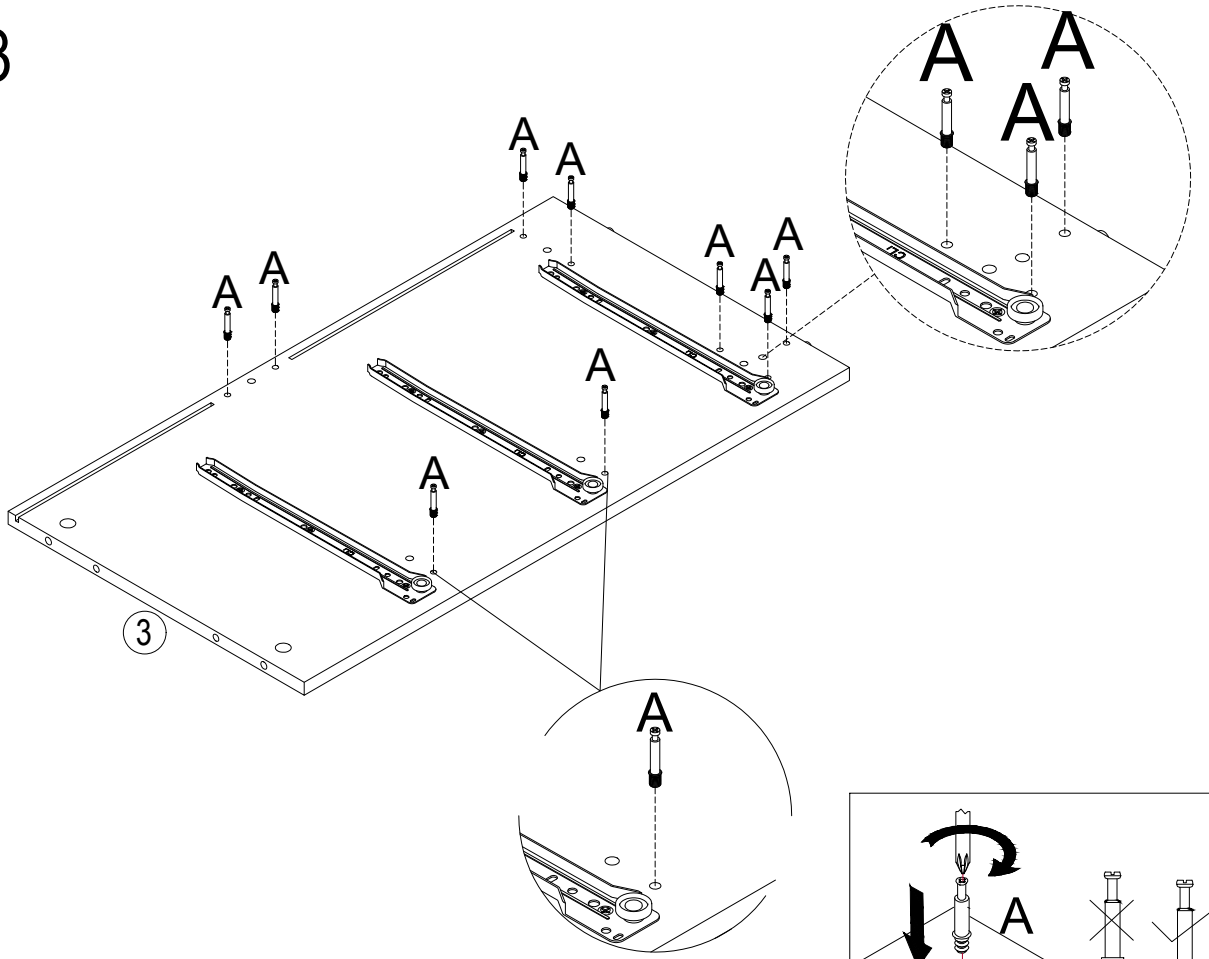


CR\*3PCS



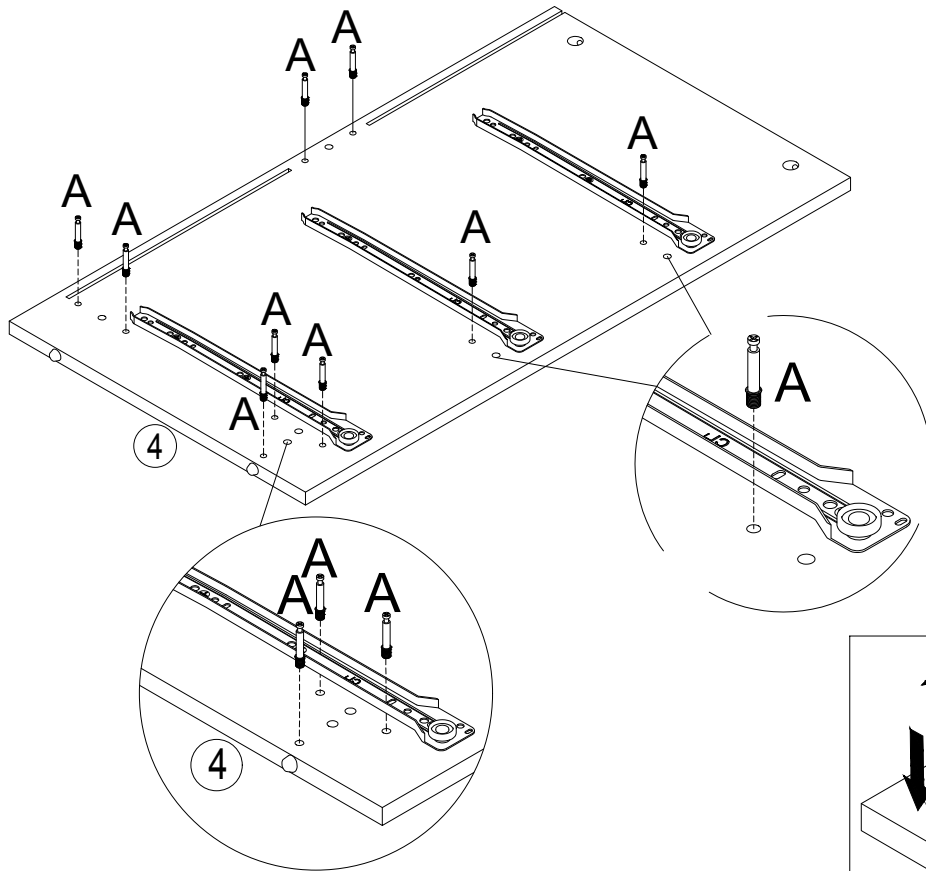
F\*9PCS

# STEP 3



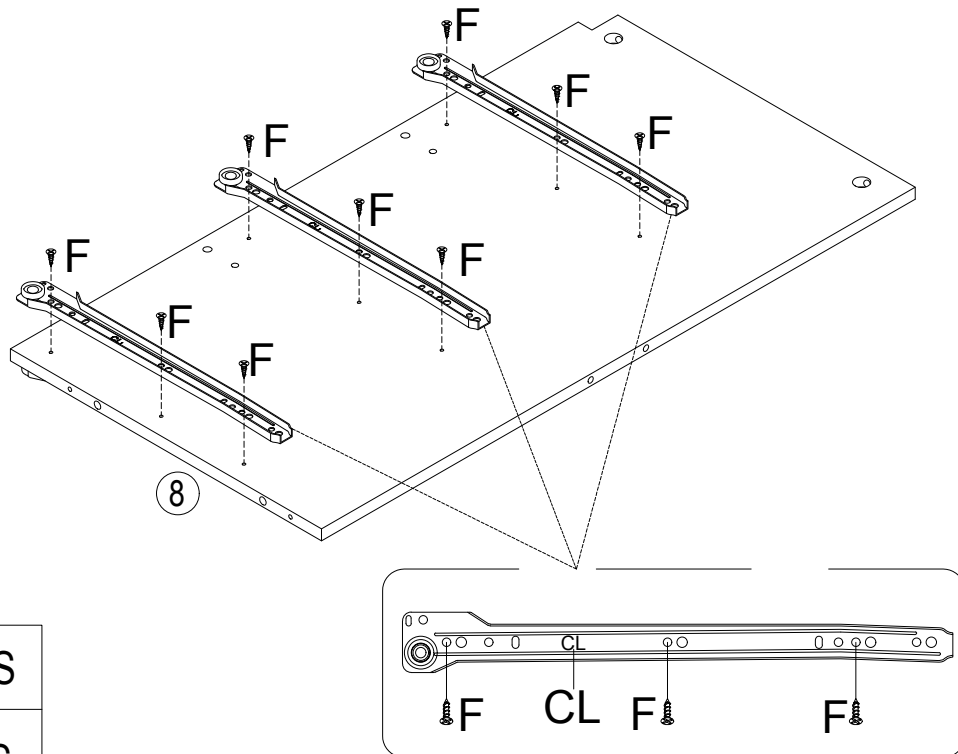
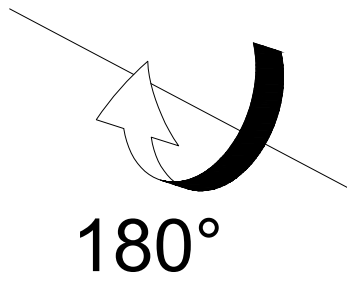
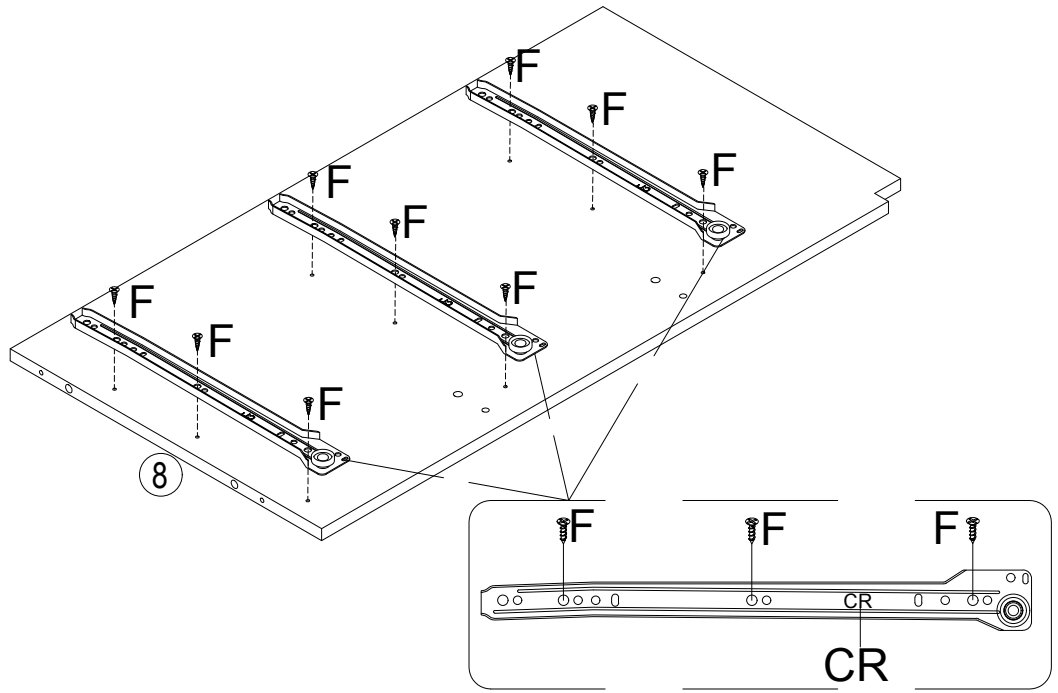
A\*9PCS



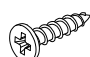
# STEP 4



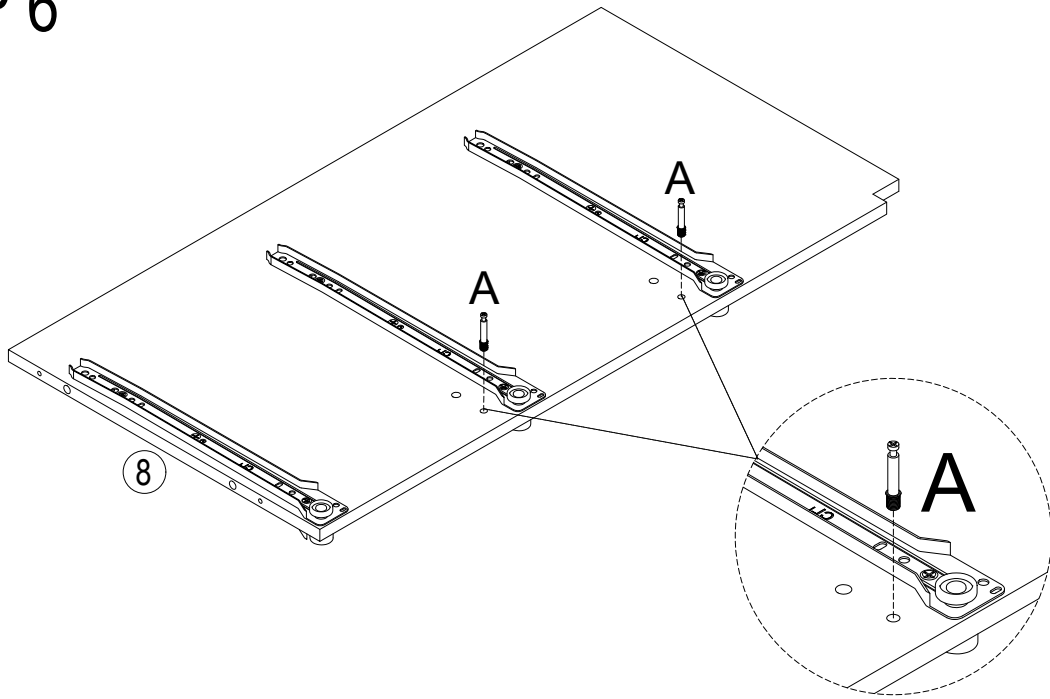
A\*9PCS

# STEP 5

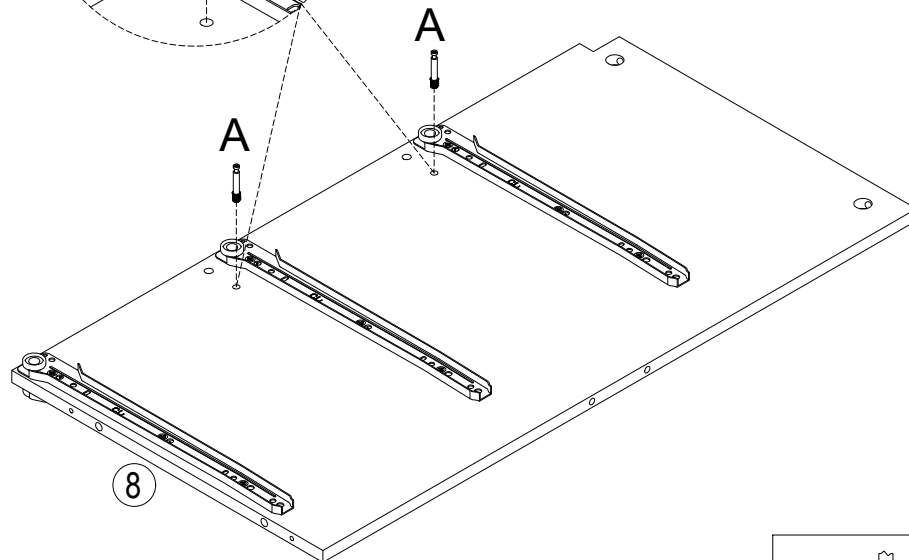
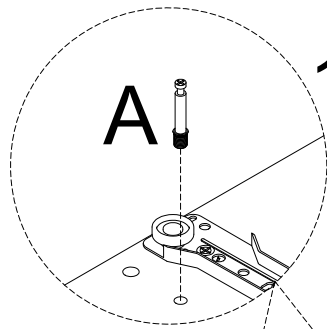
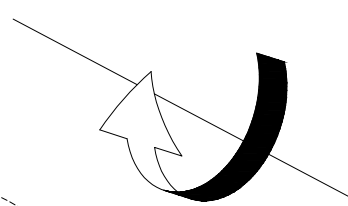
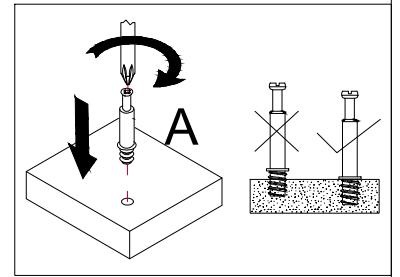


|  |         |
|--|---------|
|  | CR*3PCS |
|  | CL*3PCS |
|  | F*18PCS |

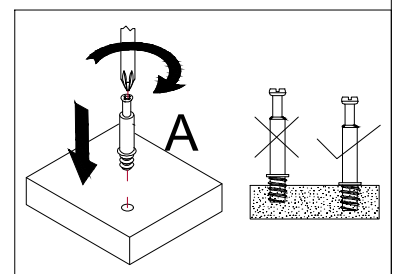
# STEP 6



8

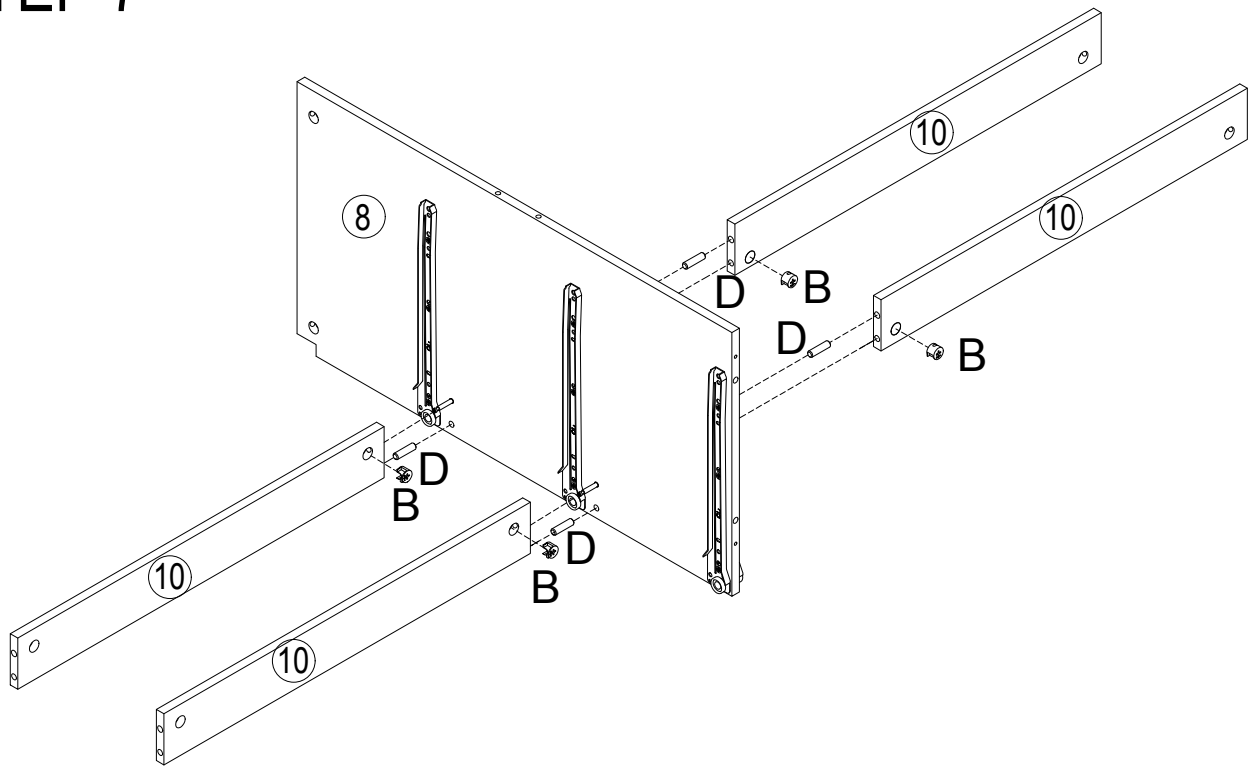



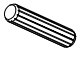
8

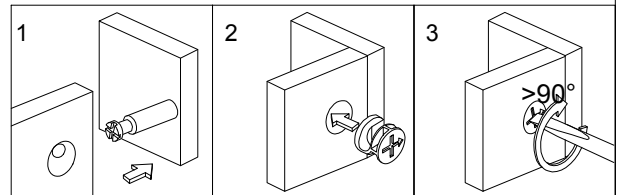


A\*4PCS

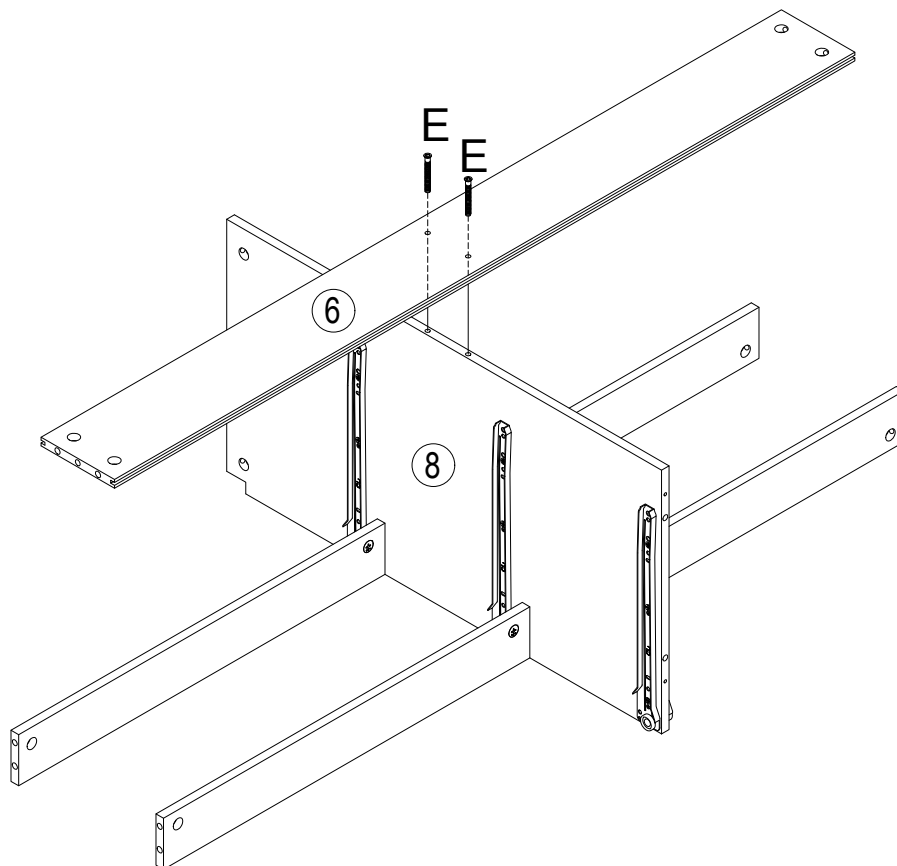
# STEP 7




|   |        |
|---|--------|
|   | B*4PCS |
|  | D*4PCS |

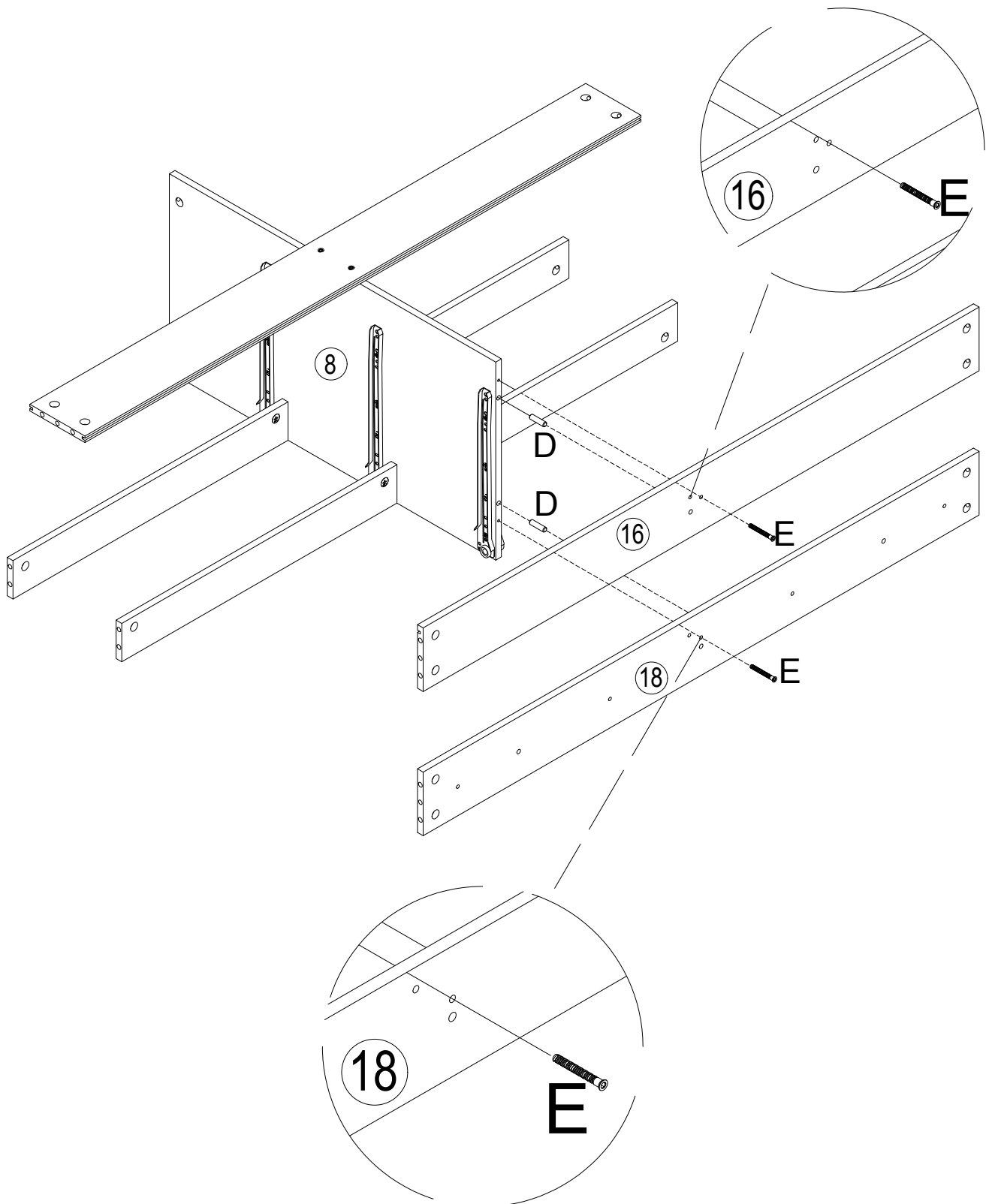


# STEP 8



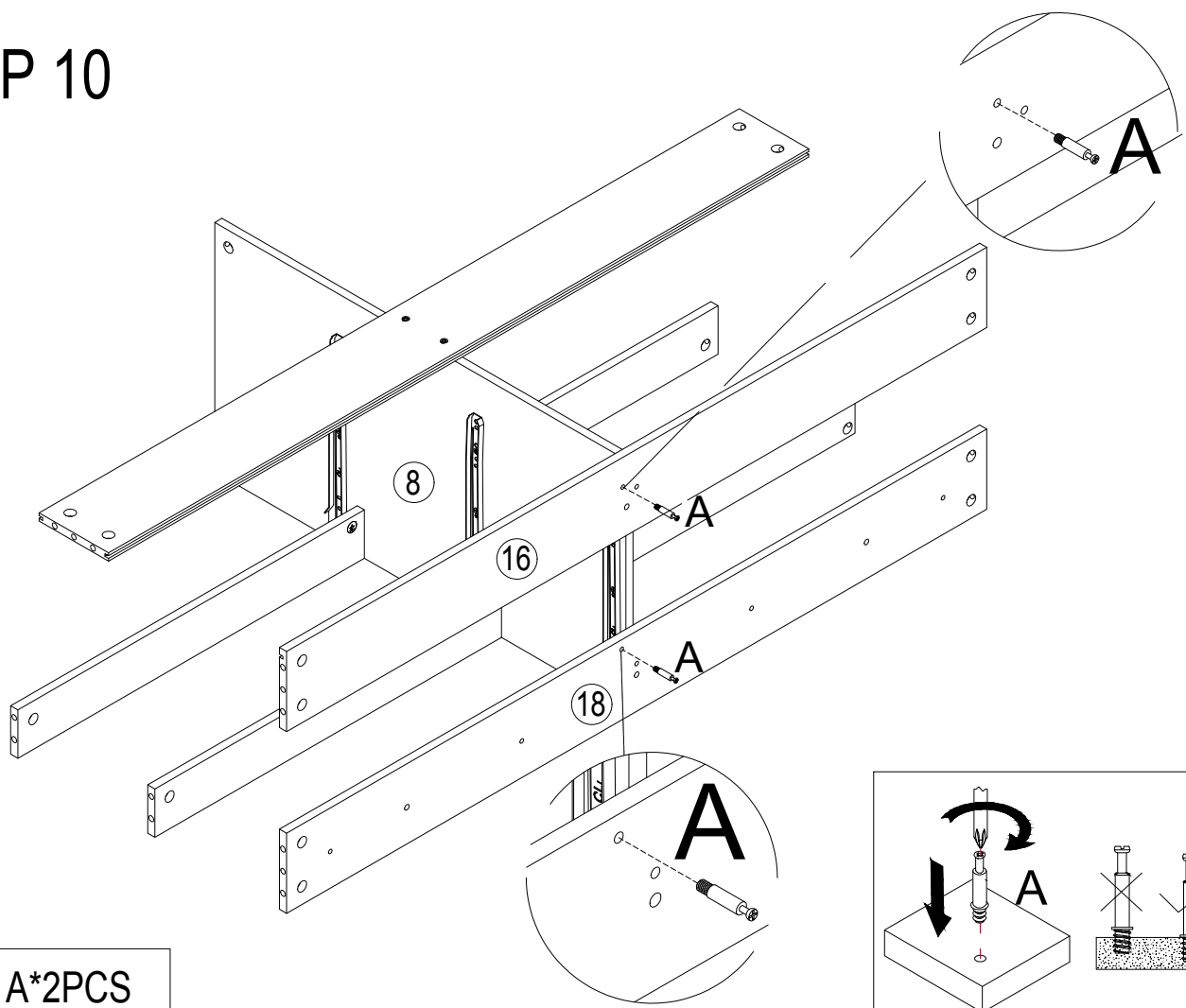
|   |        |
|---|--------|
|  | E*2PCS |
|---|--------|

# STEP 9



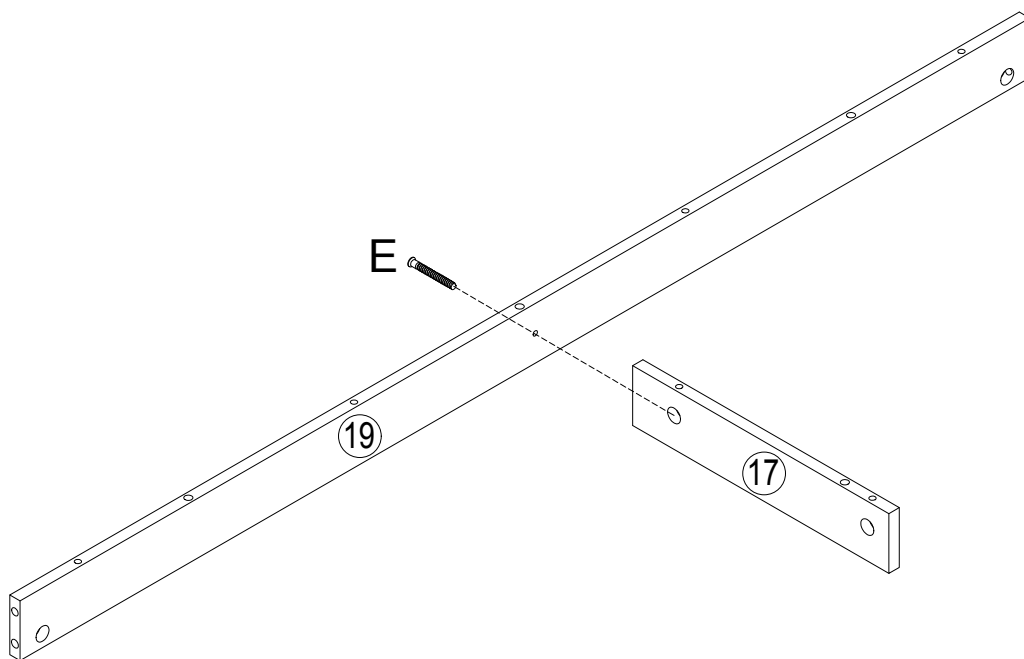
|   |        |
|---|--------|
|  | E*2PCS |
|  | D*2PCS |

# STEP 10



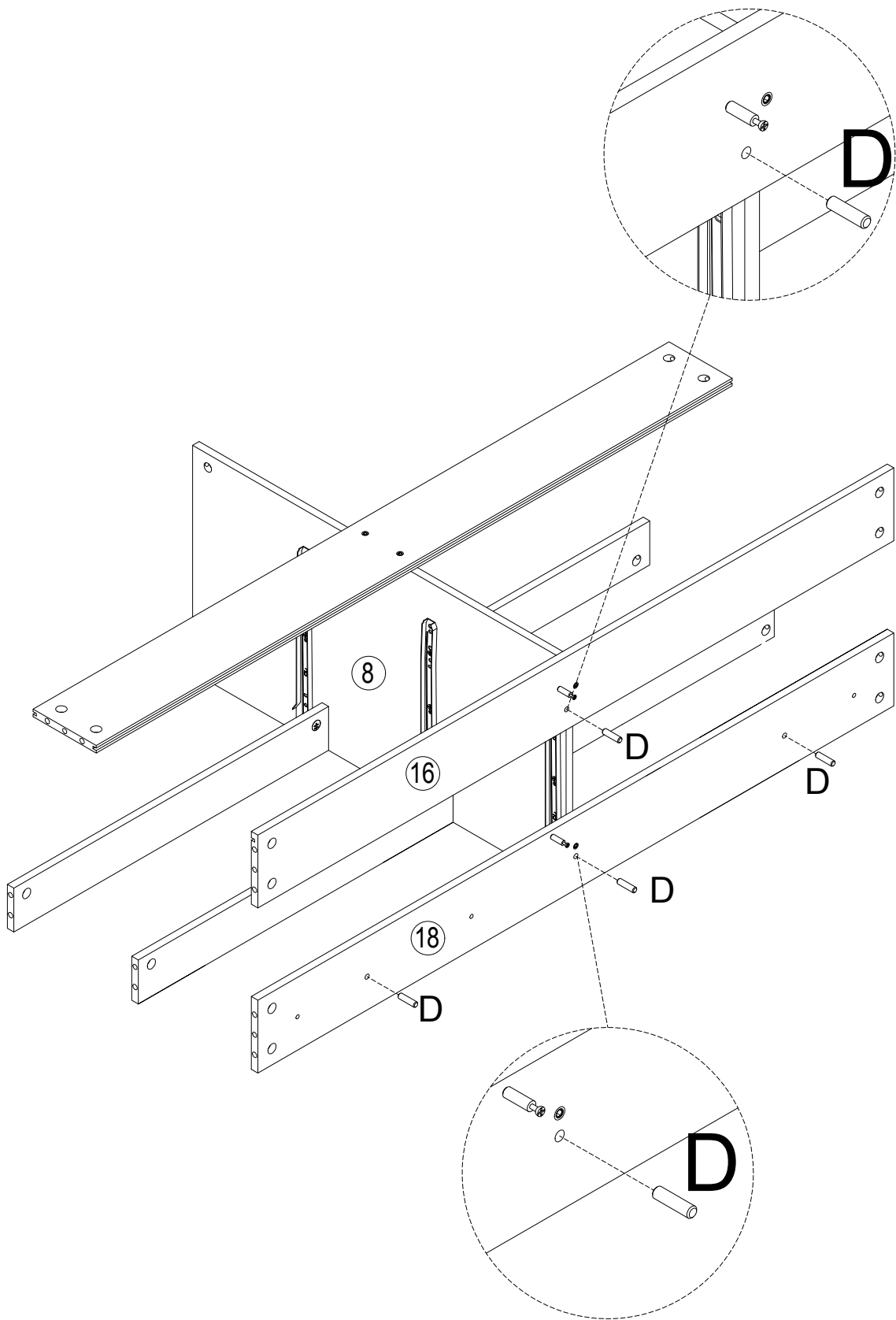
A\*2PCS

# STEP 11



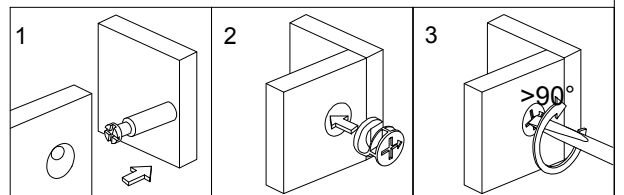
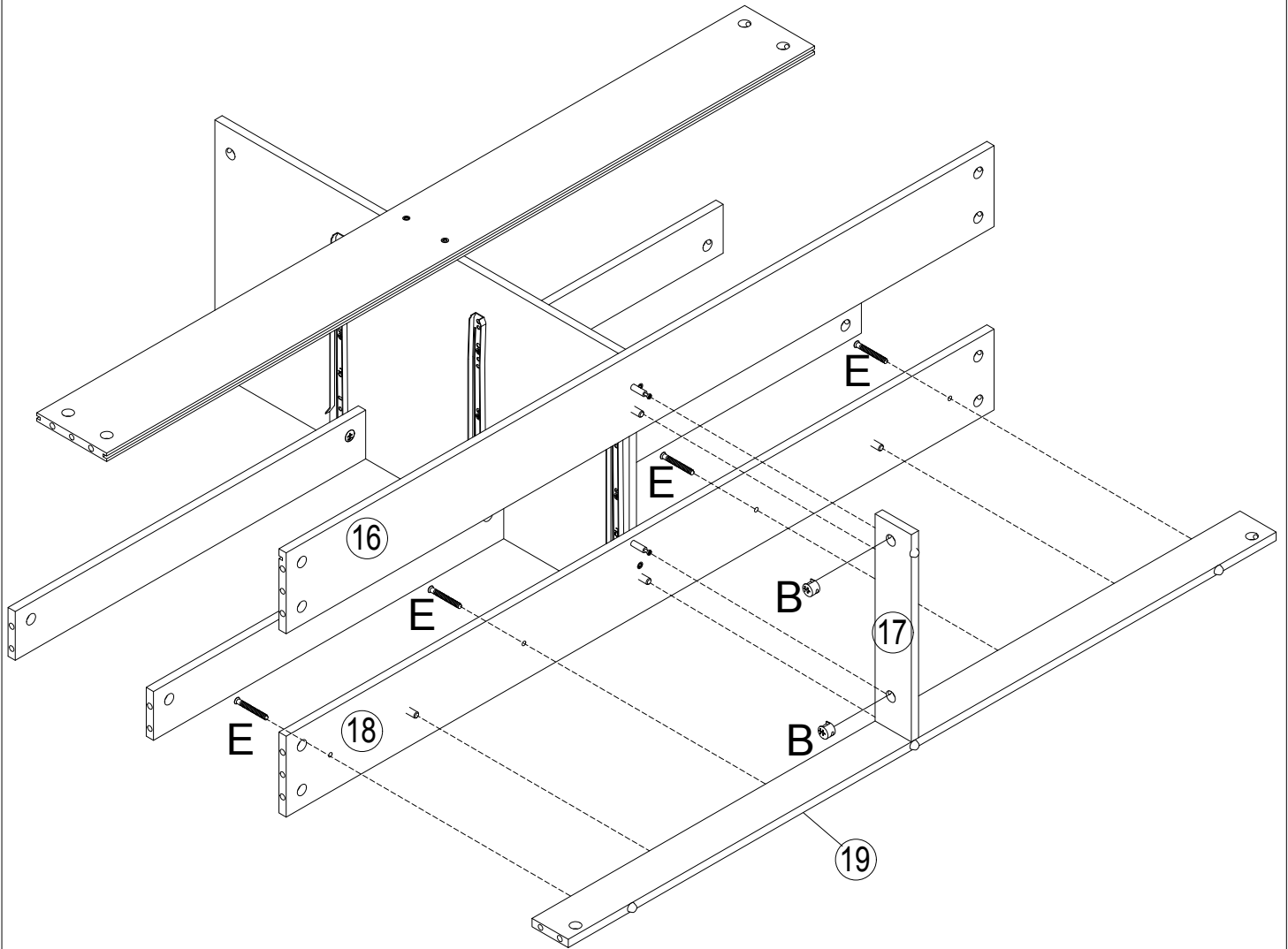
E\*1PC

# STEP 12



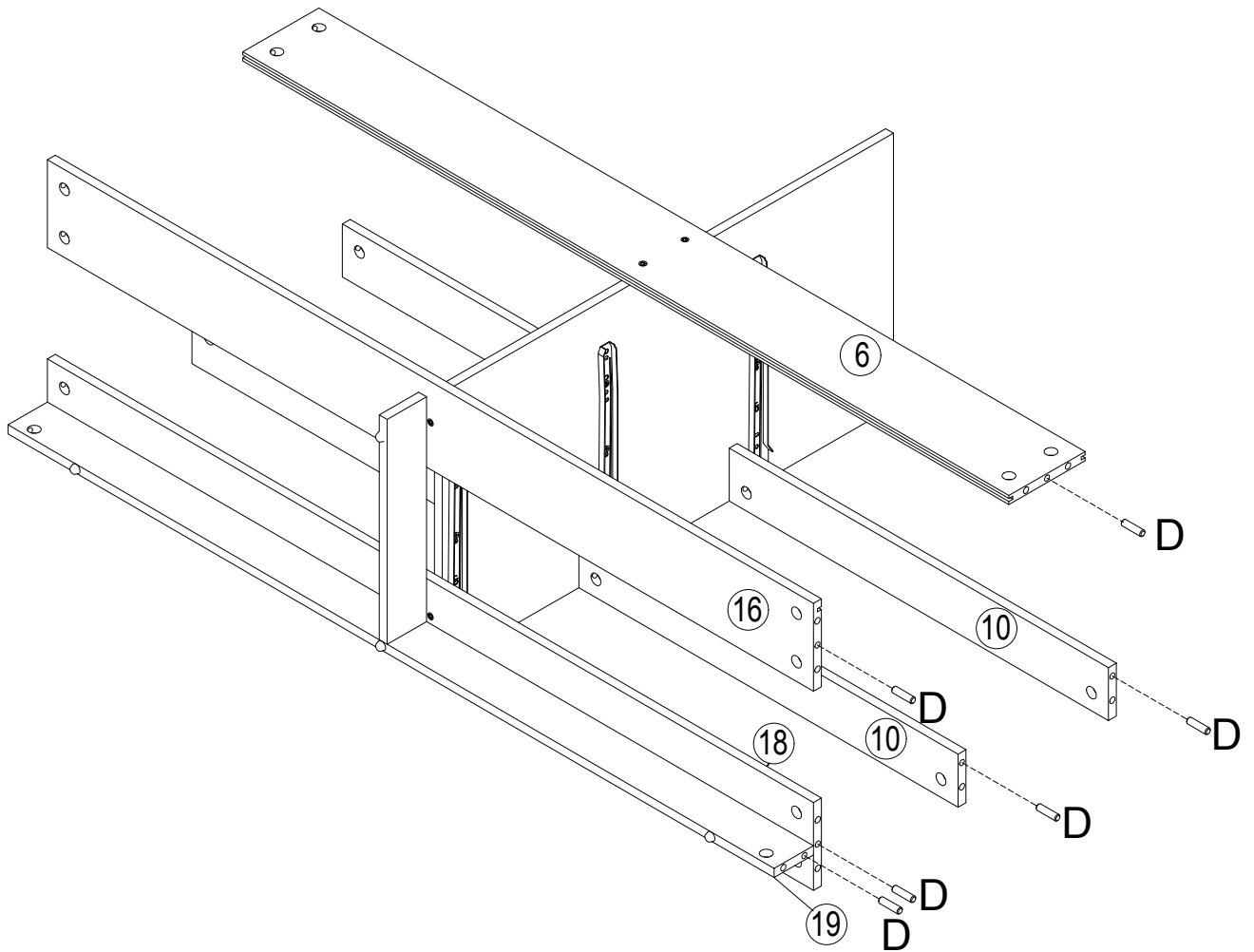
D\*4PCS

# STEP 13



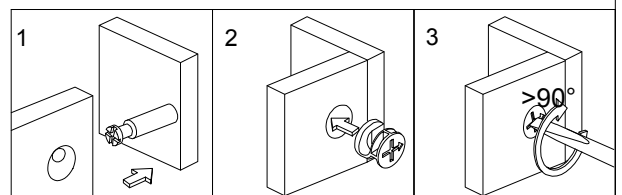
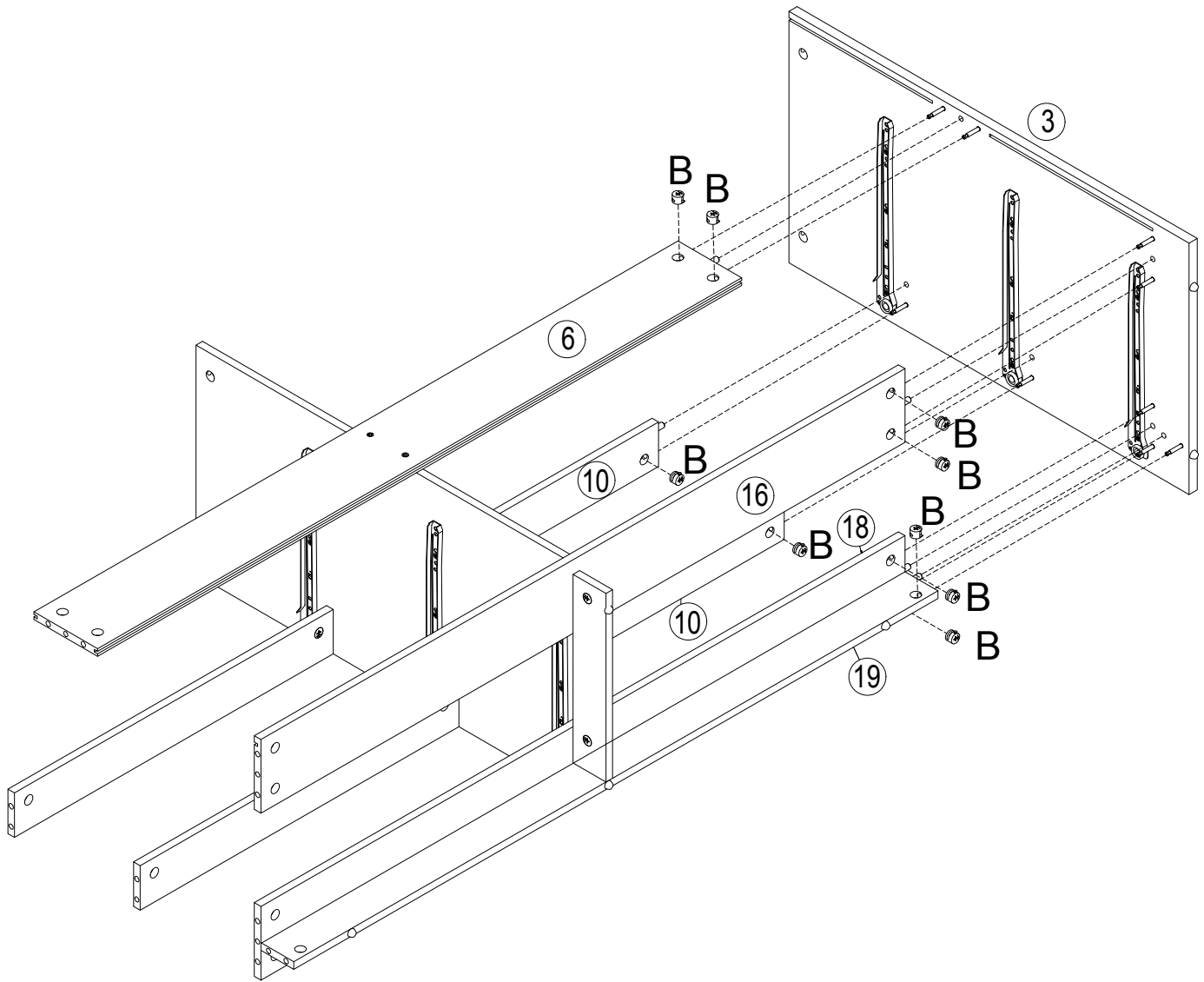
|  |        |
|--|--------|
|  | B*2PCS |
|  | E*4PCS |

# STEP 14



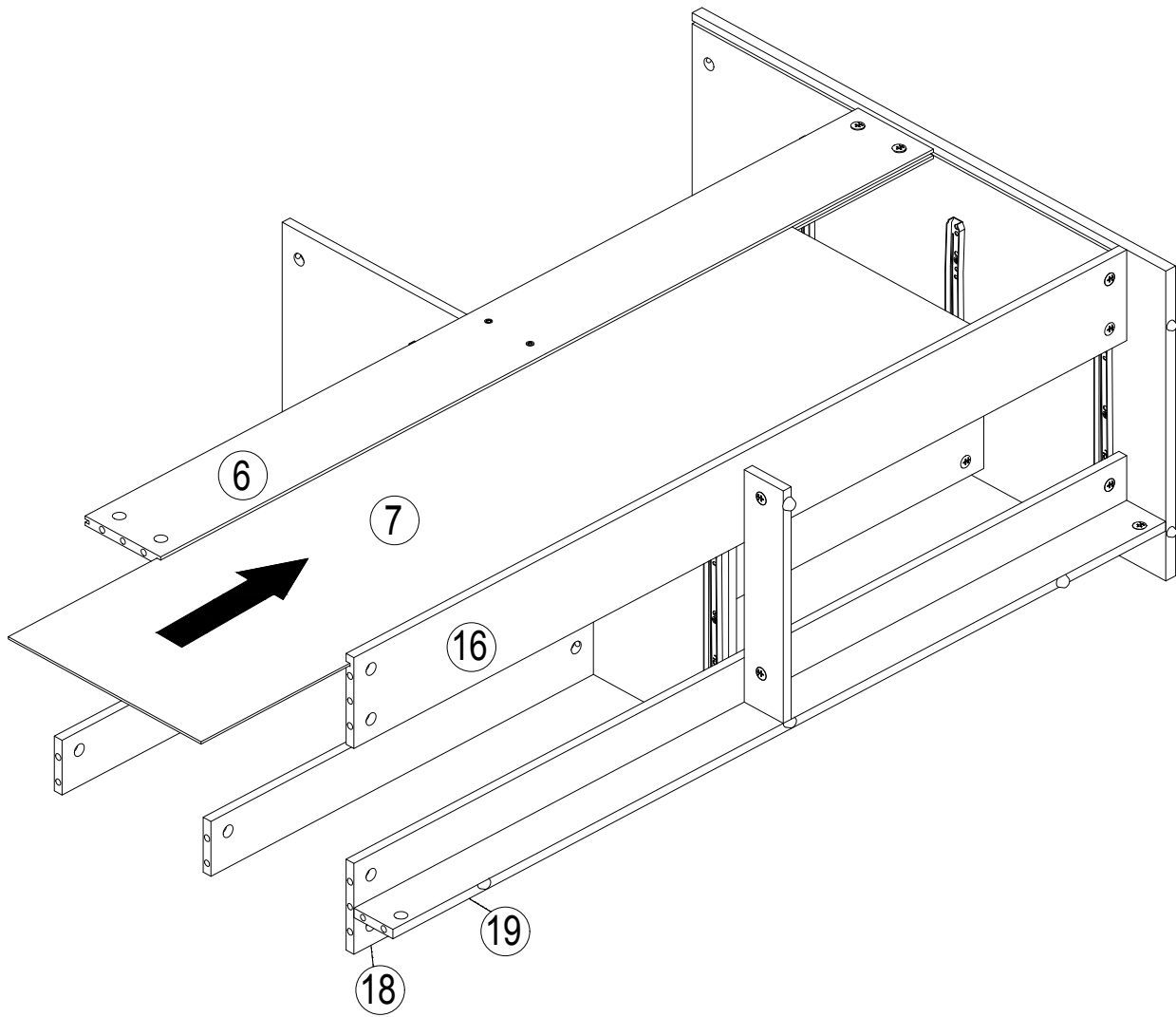
D\*6PCS

# STEP 15

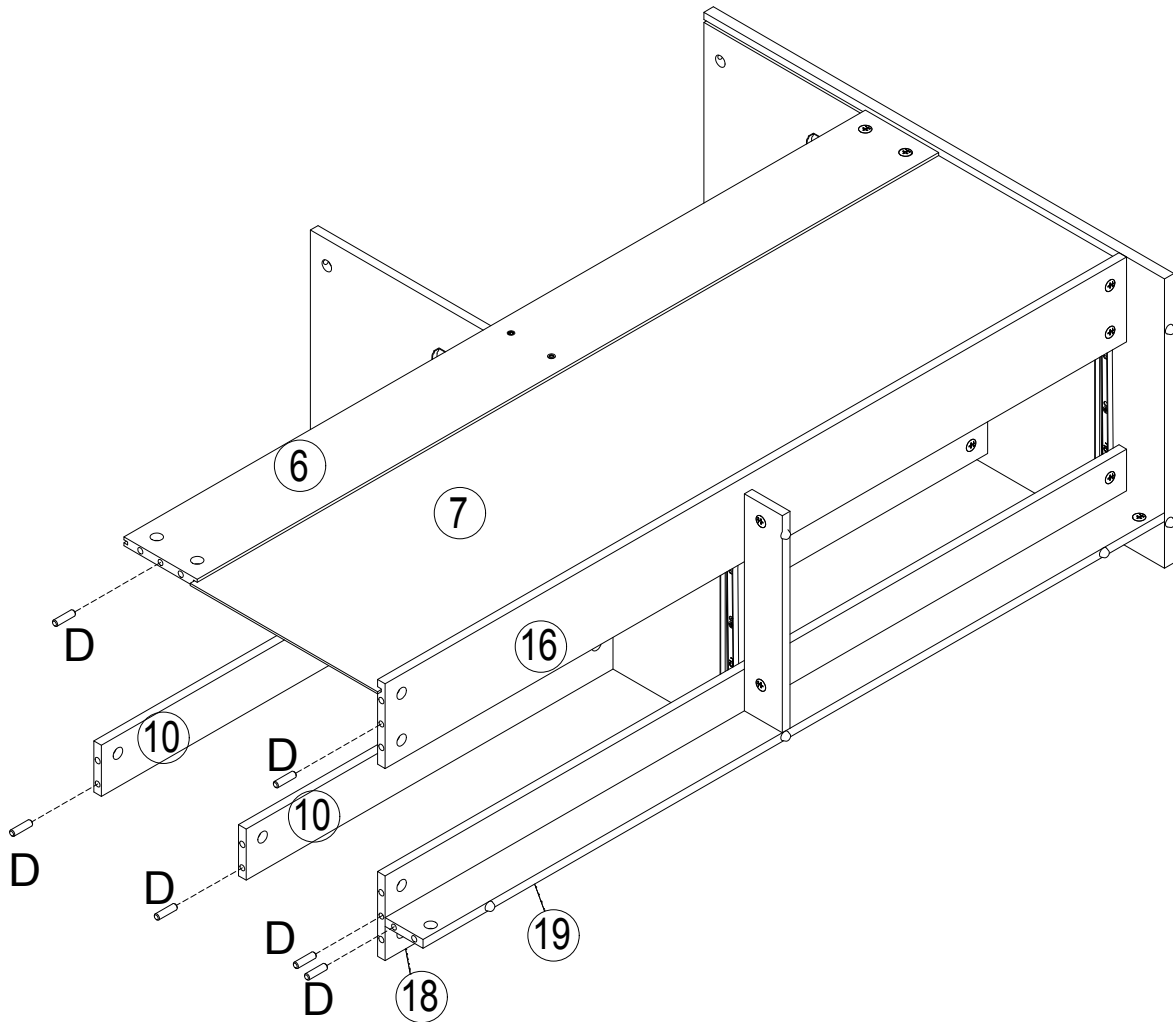


B\*9PCS

# STEP 16

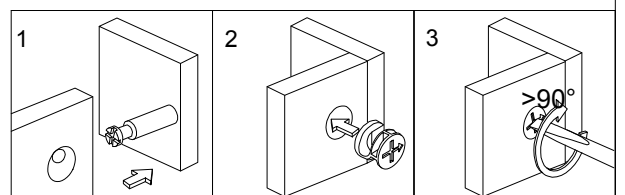
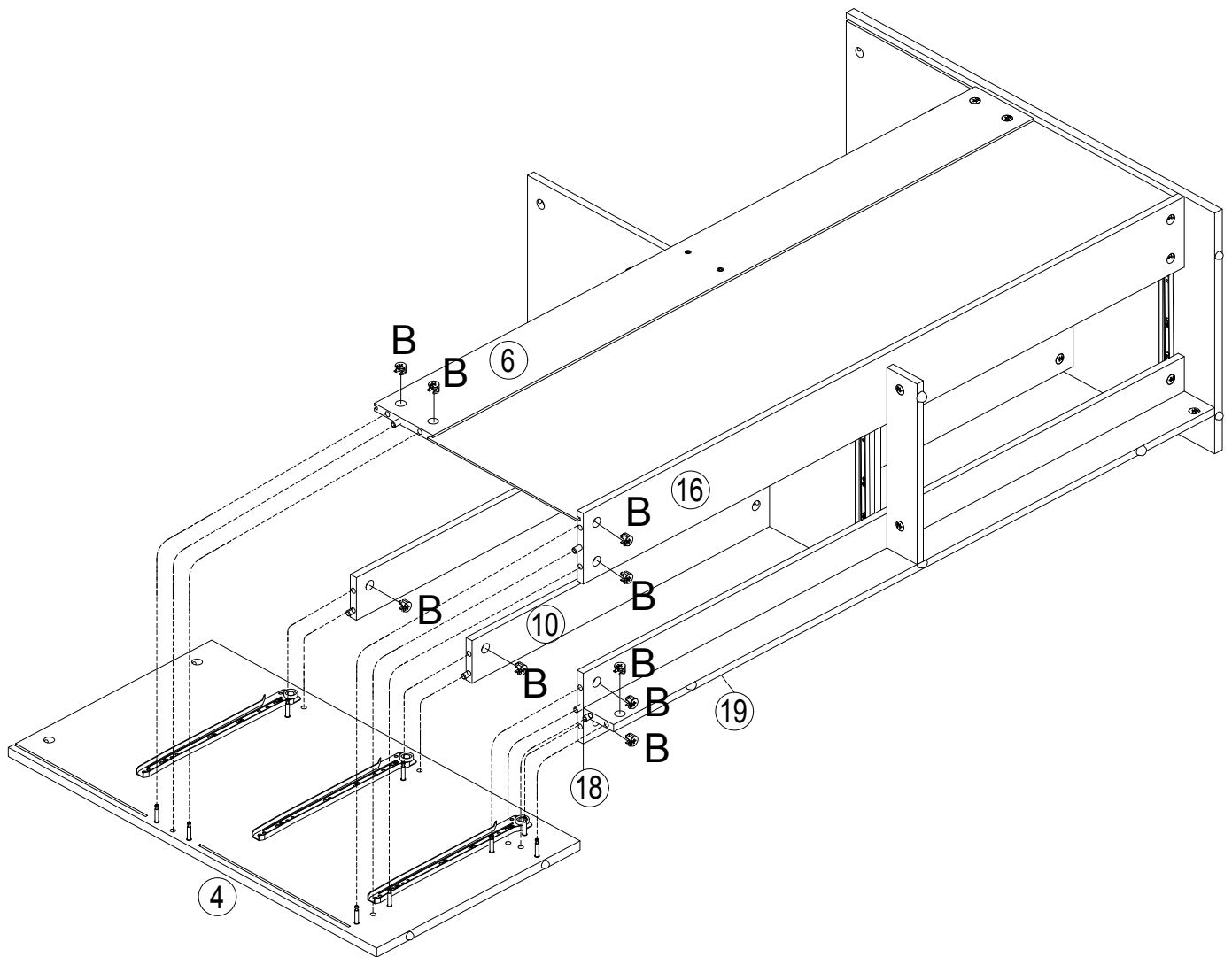


# STEP 17



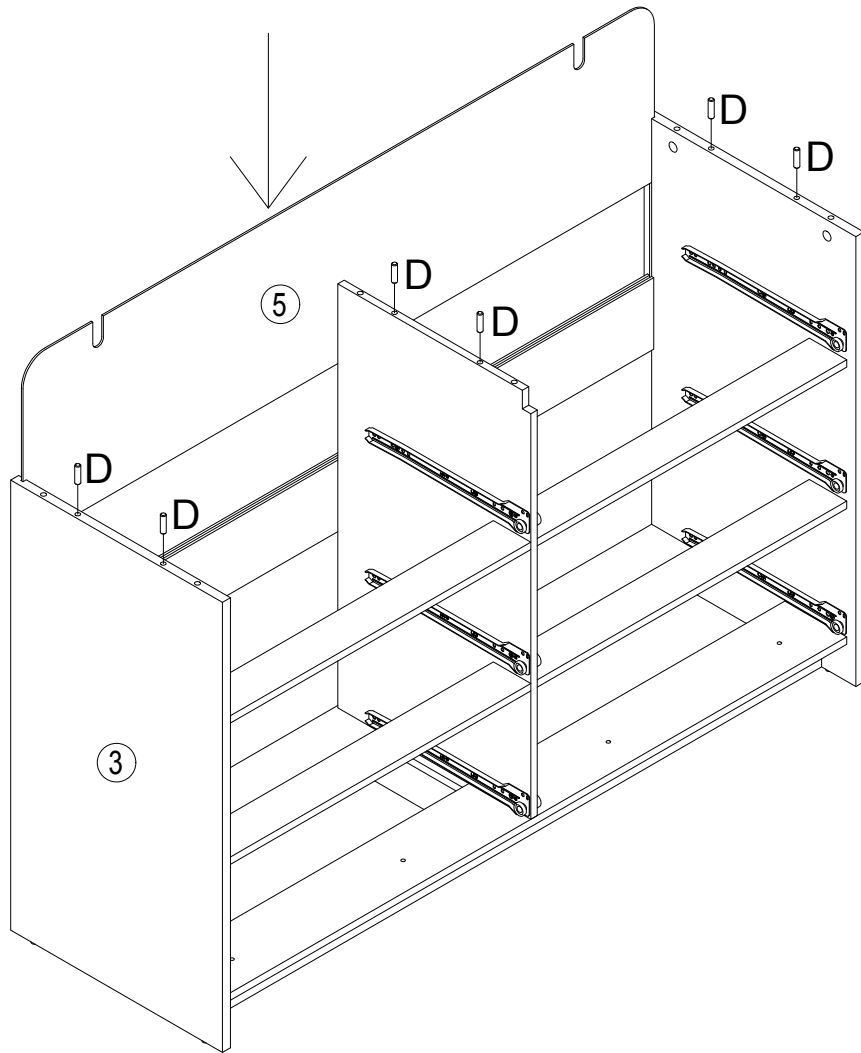
D\*6PCS

# STEP 18



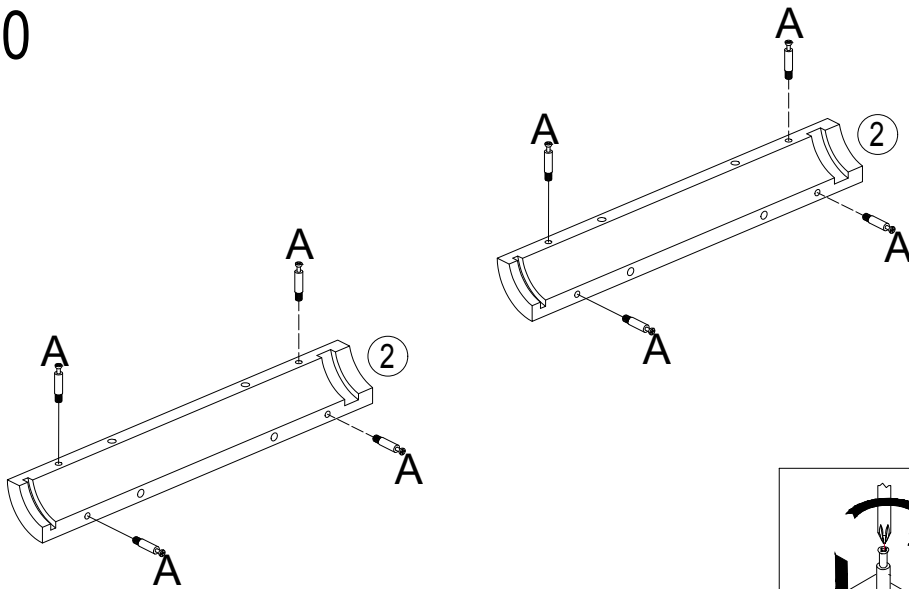
B\*9PCS

# STEP 19



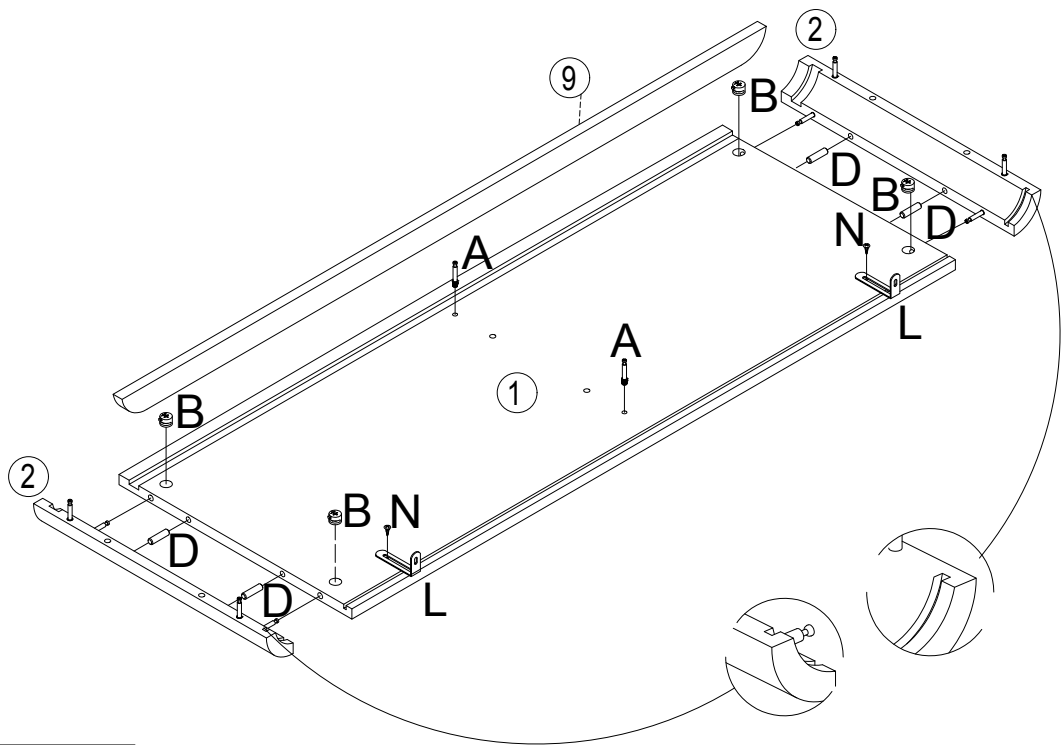
D\*6PCS

# STEP 20



A\*8PCS

# STEP 21



A\*2PCS



B\*4PCS



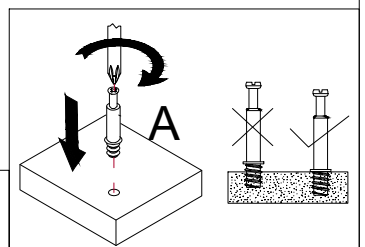
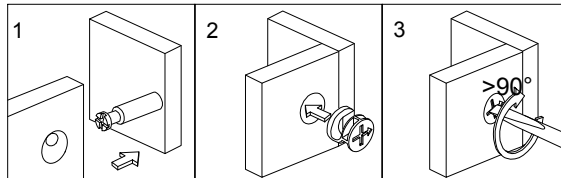
D\*4PCS



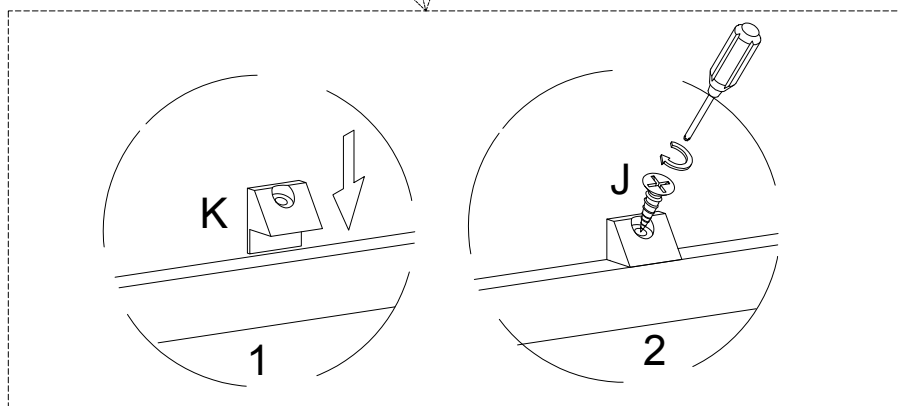
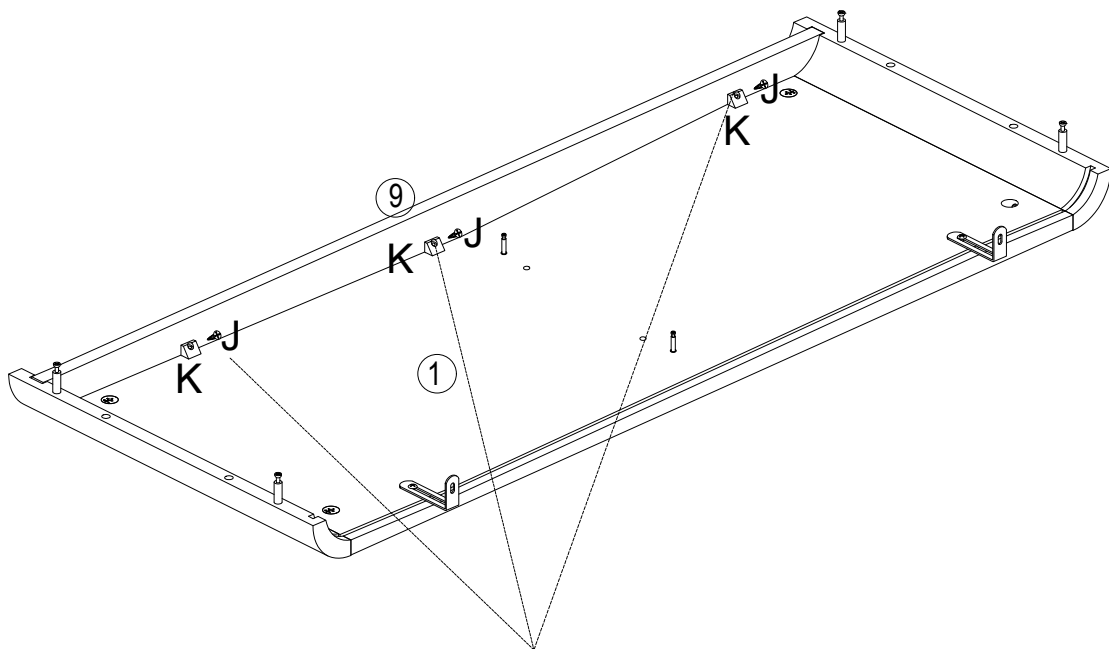
L\*2PCS



N\*2PCS



# STEP 22



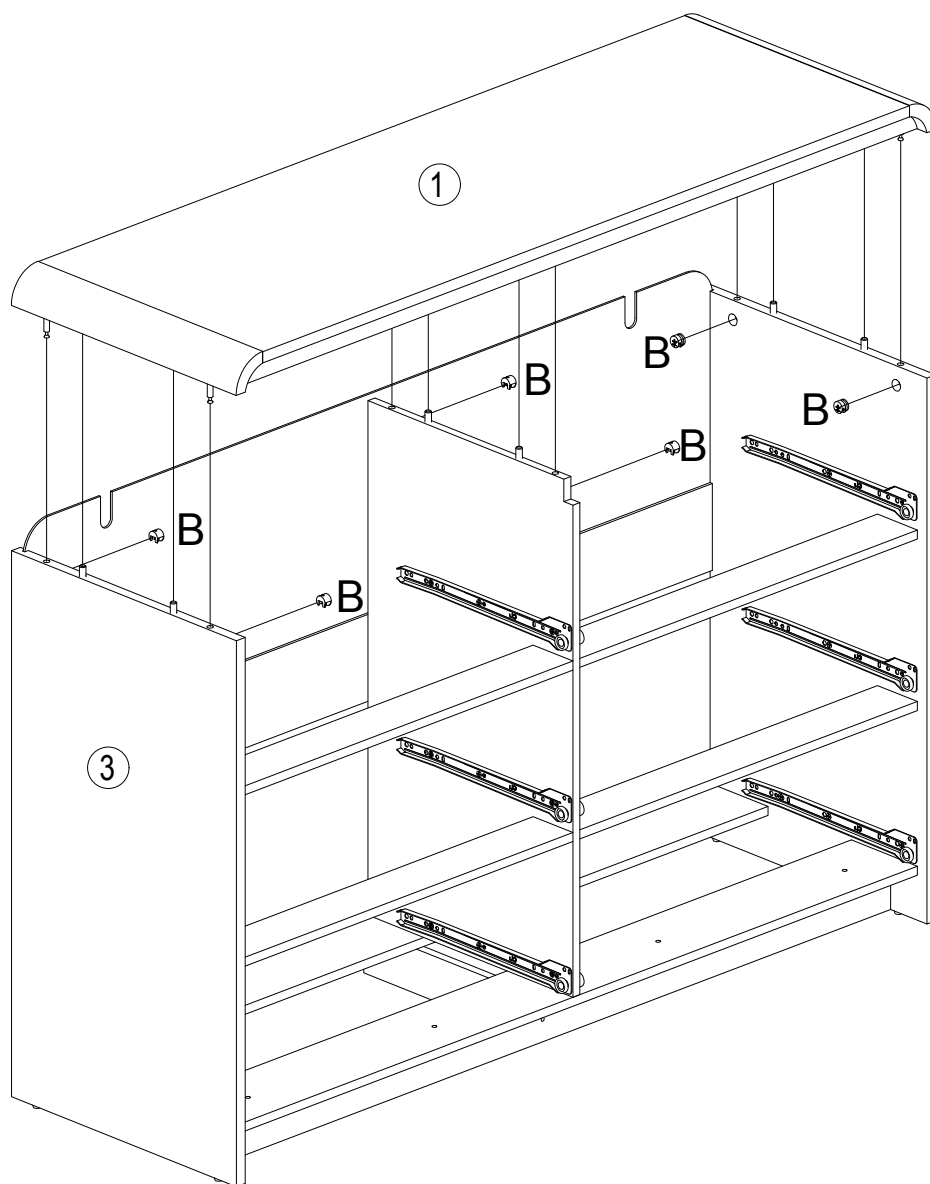
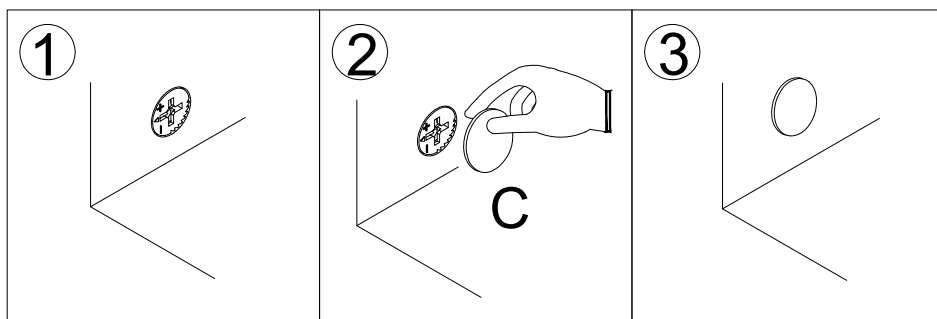
J\*3PCS





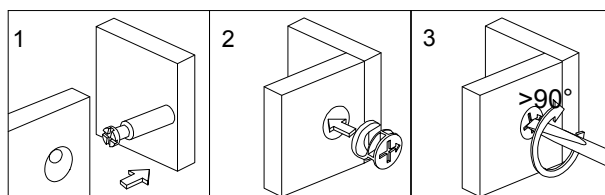
K\*3PCS

# STEP 23

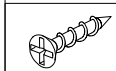
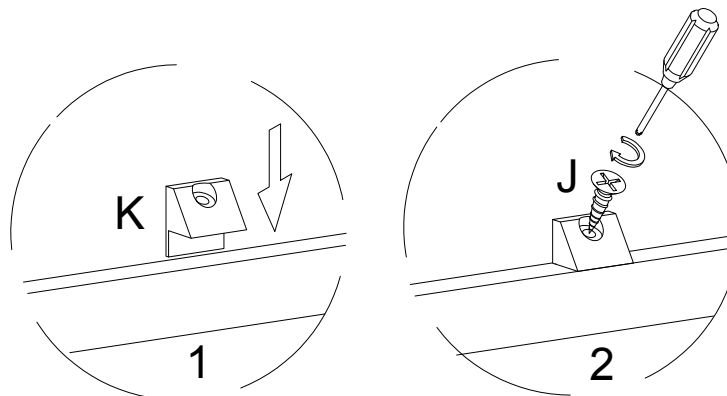
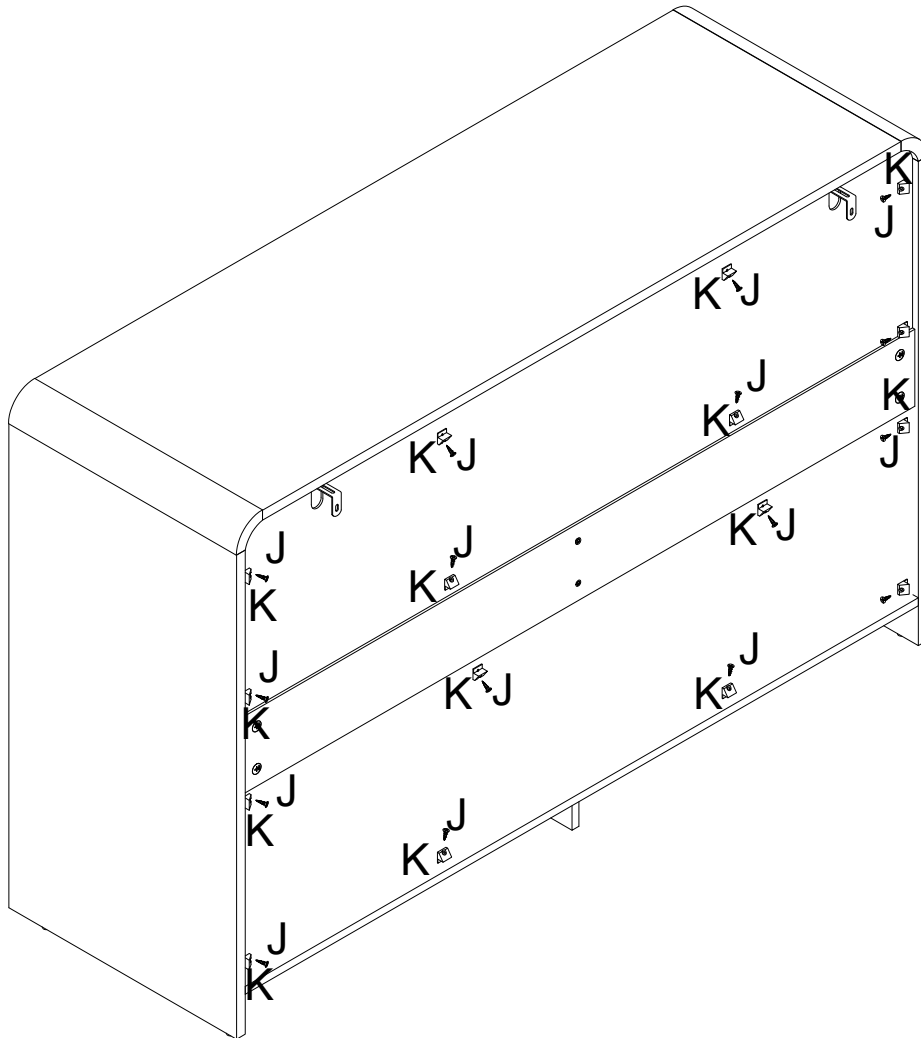
Cover the visible



|   |         |
|---|---------|
|  | B*6PCS  |
|  | C*34PCS |



# STEP 24



J\*16PCS

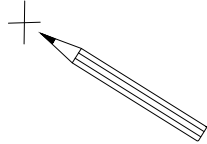


K\*16PCS

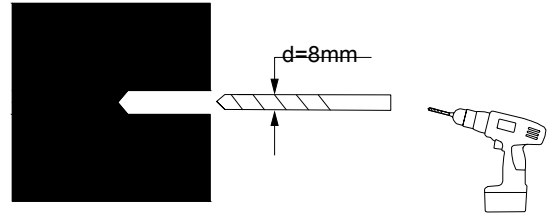
# STEP 25

## Method 1: For solid or concrete wall.

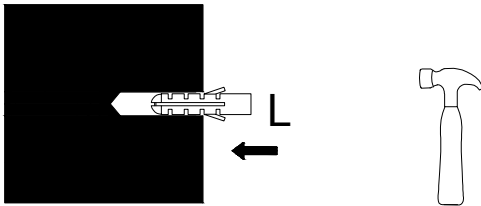
- ① 1. Choose your desired location on the wall. Have your friend hold the product in place and use a pencil to mark where the anchor will go.



- ② 2. Pre-drill holes on the wall with a drill bit that is larger than the diameter of the wall anchors.

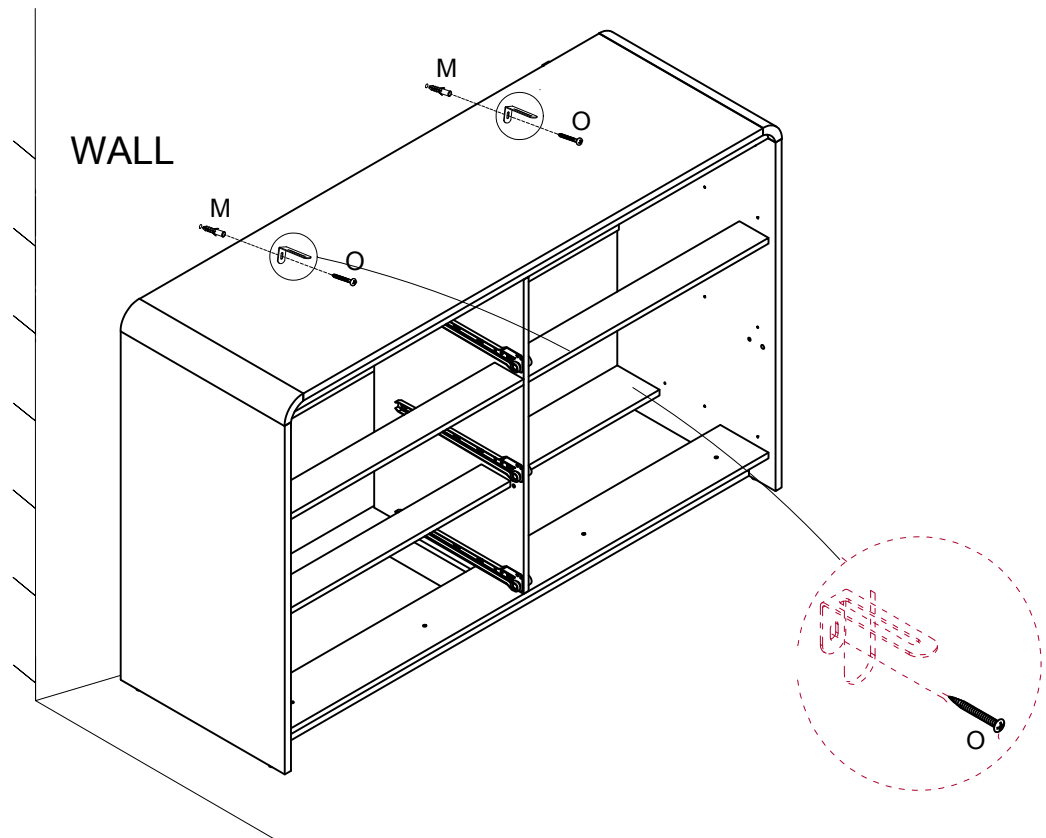
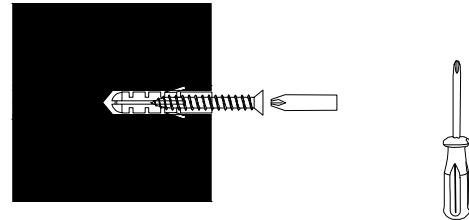


- ③ 3. Gently insert the wall anchor into the pre-drilled hole.



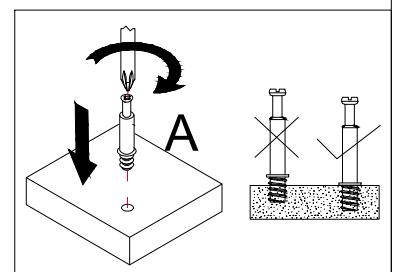
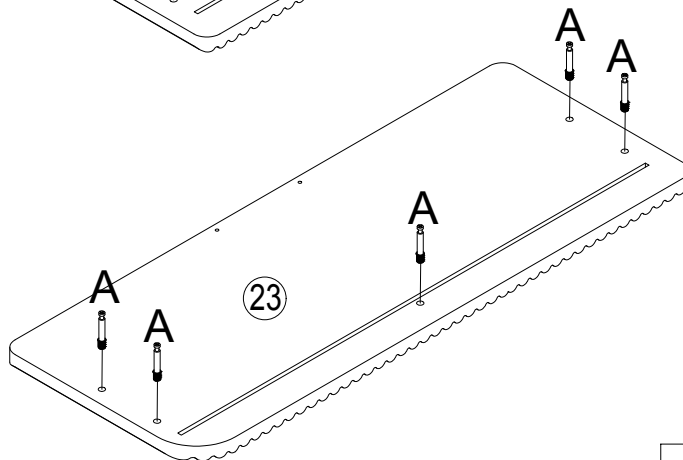
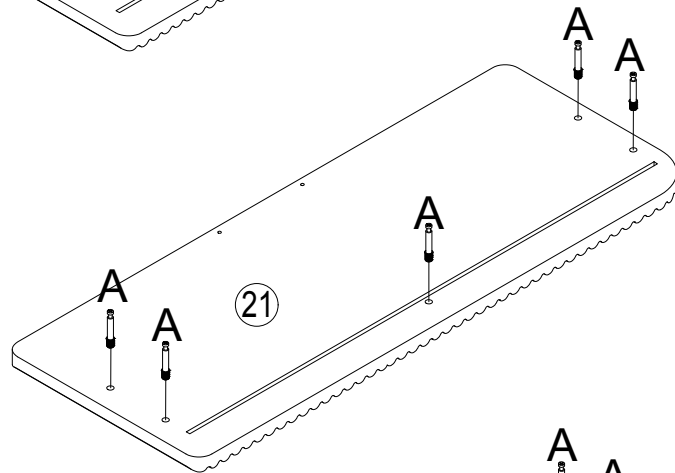
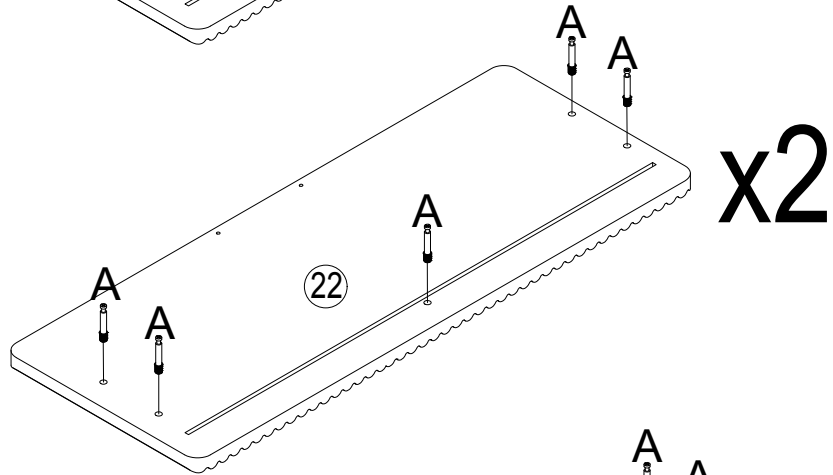
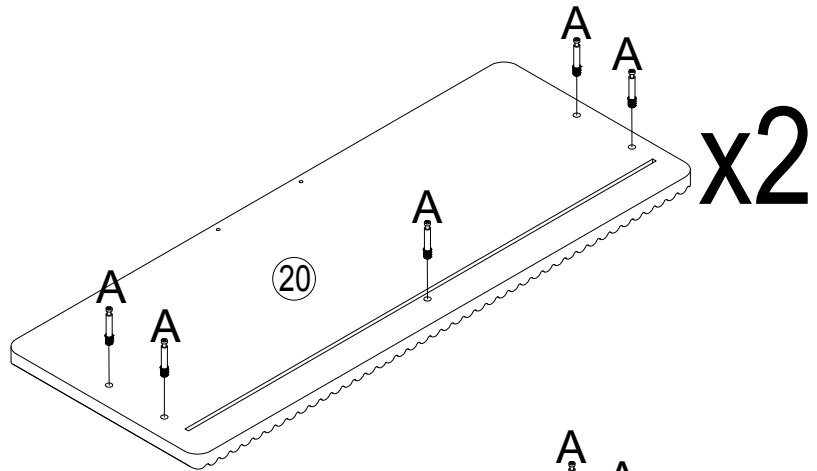
M\*2PCS

- ④ 4. Insert the screws into the wall anchor with a screwdriver to complete the installation.



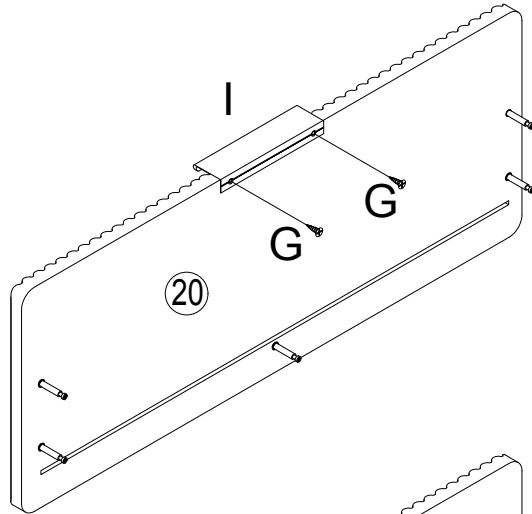
O\*2PCS

# STEP 26

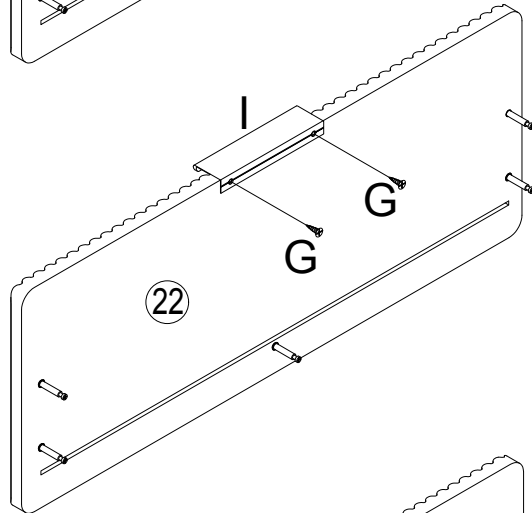


A\*30PCS

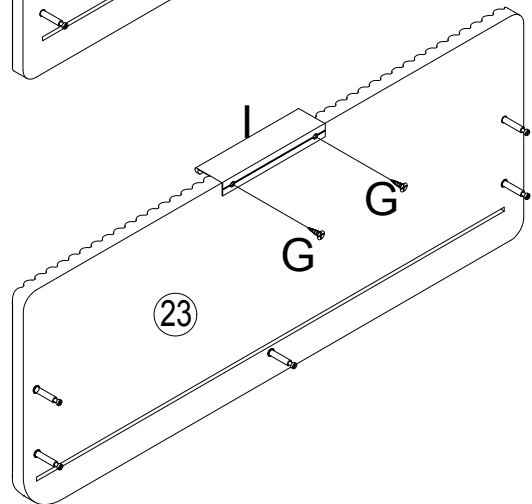
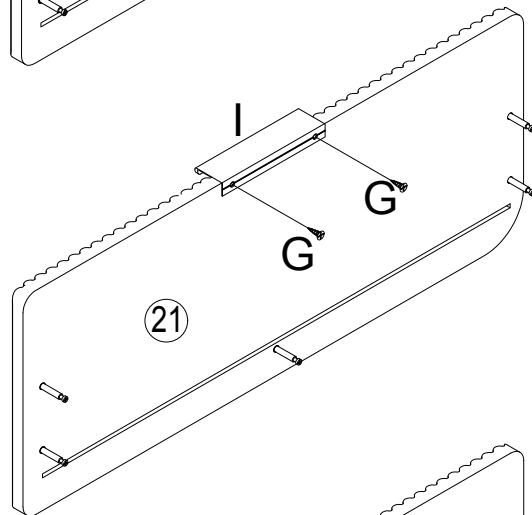
# STEP 27


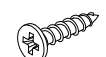


x2

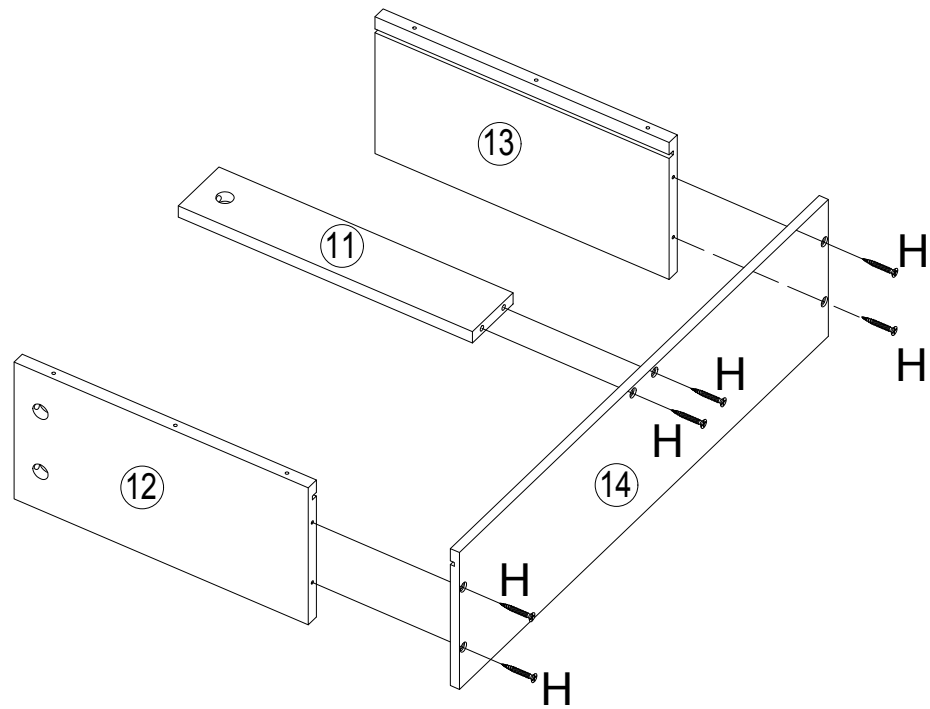


x2



|  |         |
|--|---------|
|  | I*6PCS  |
|  | G*12PCS |

# STEP 28

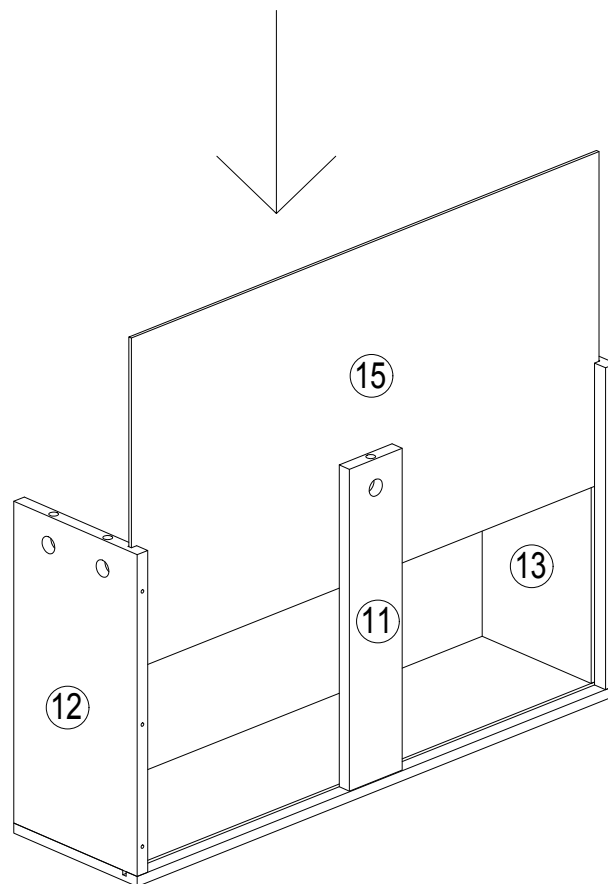


x6



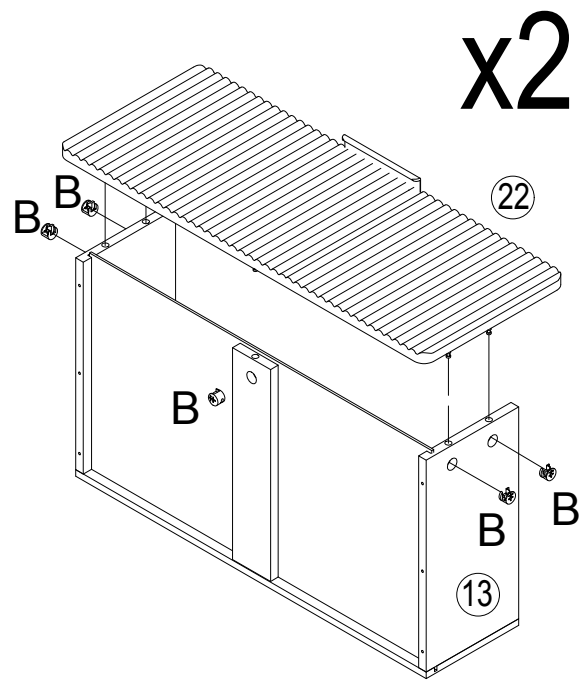
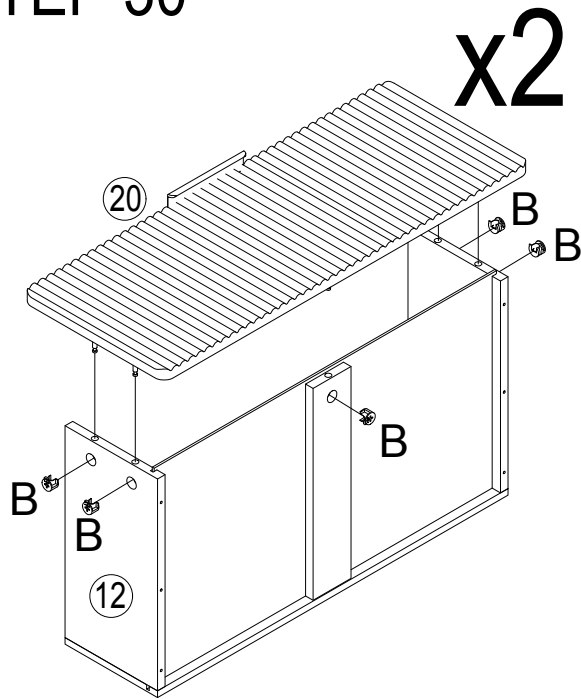
H\*36PCS

# STEP 29

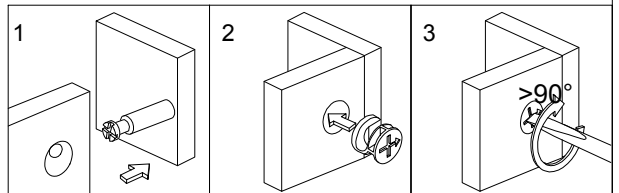


x6

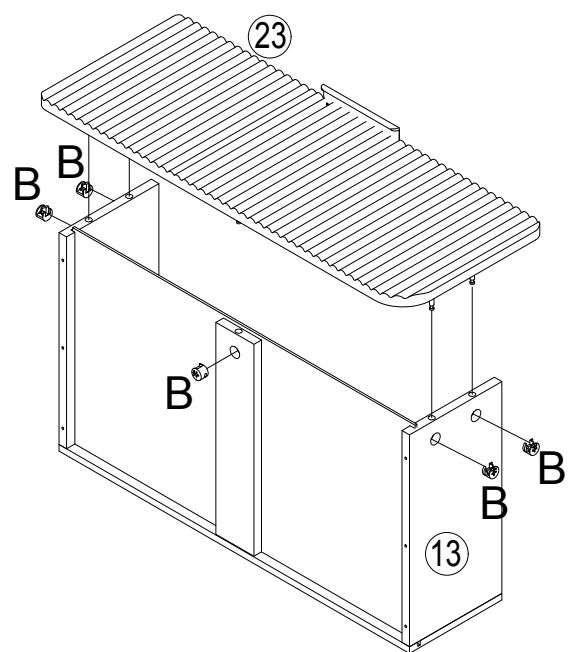
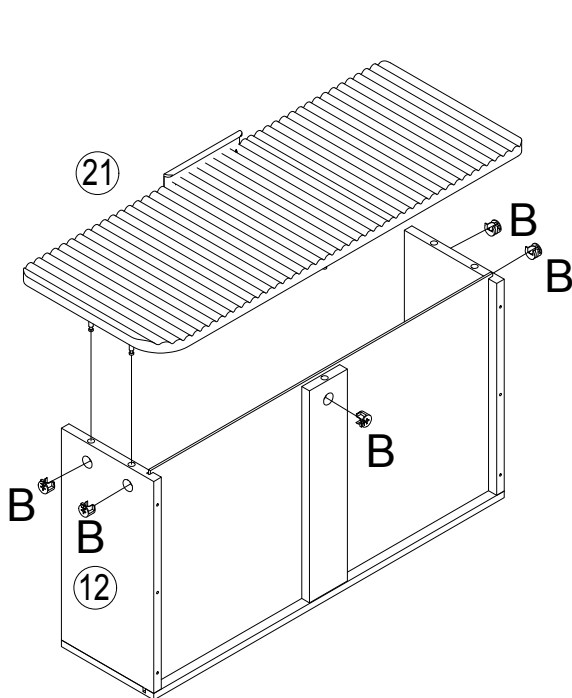
# STEP 30



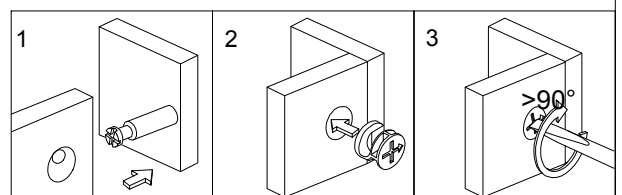
B\*20PCS



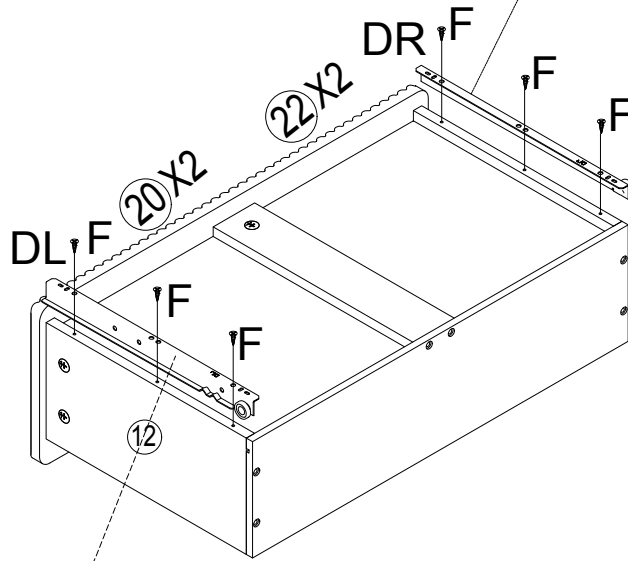
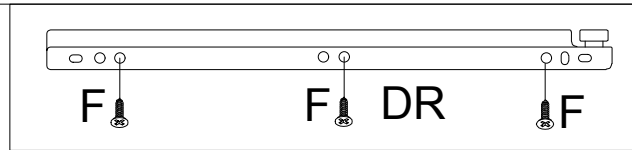
# STEP 31



B\*10PCS



# STEP 32



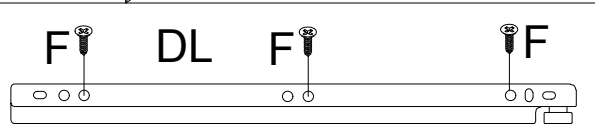
DL\*4PCS



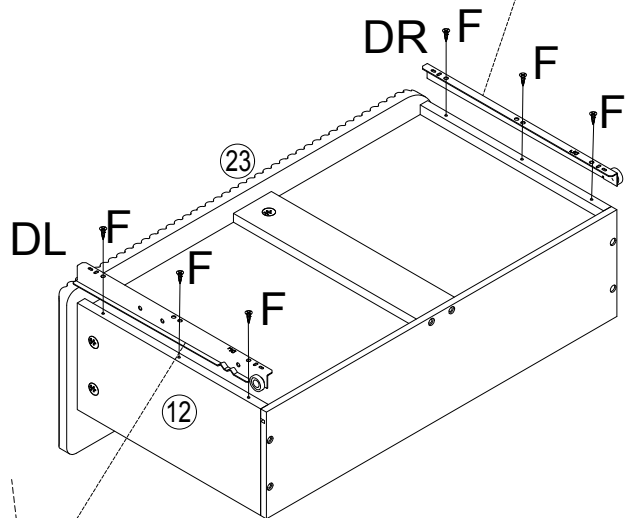
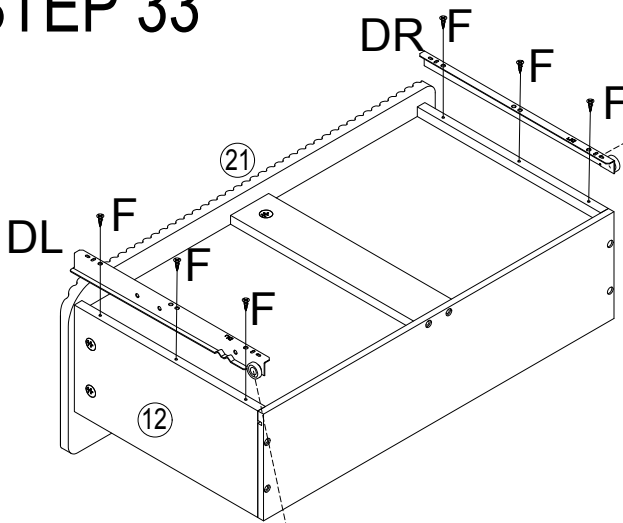
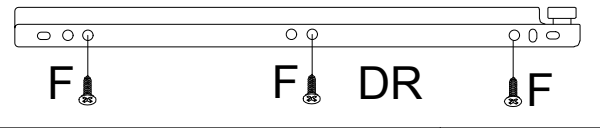
DR\*4PCS



F\*24PCS



# STEP 33



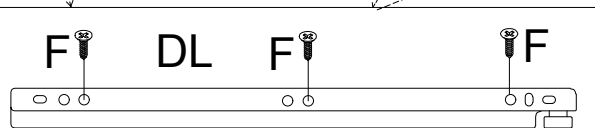
DL\*2PCS



DR\*2PCS

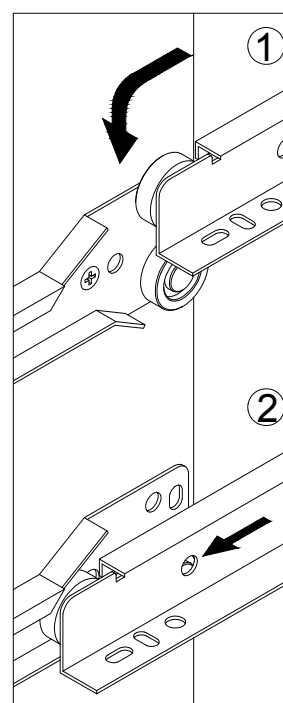
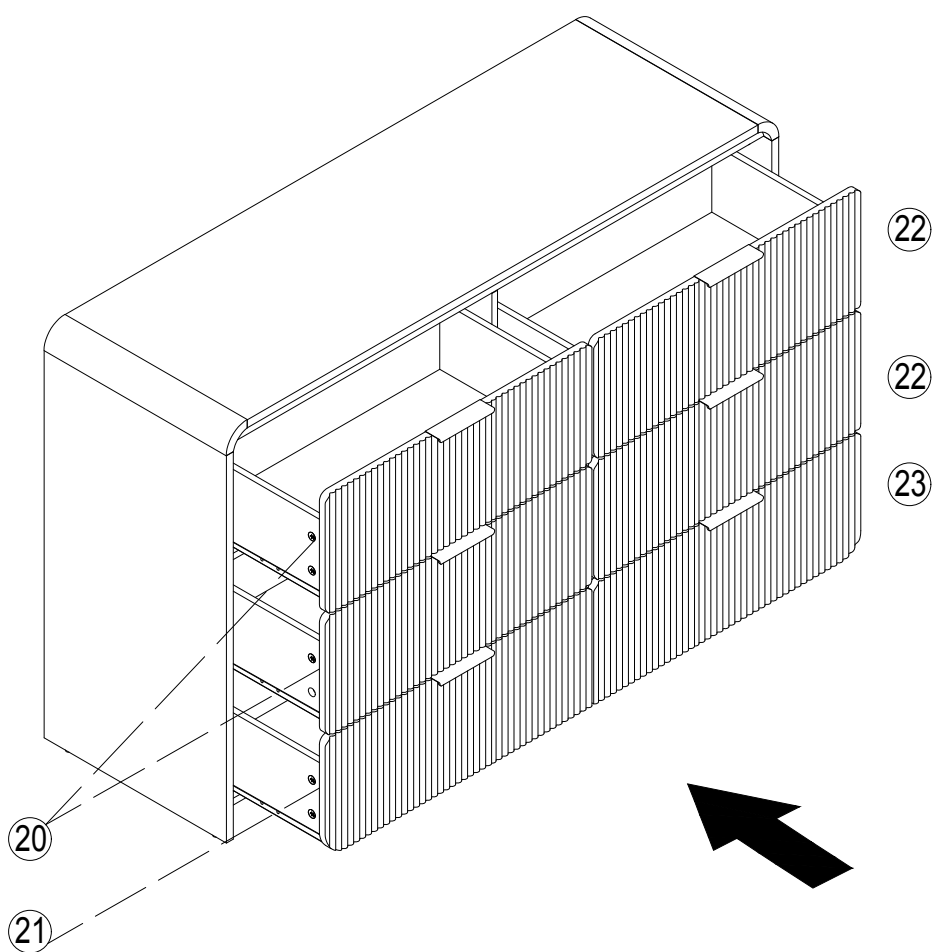
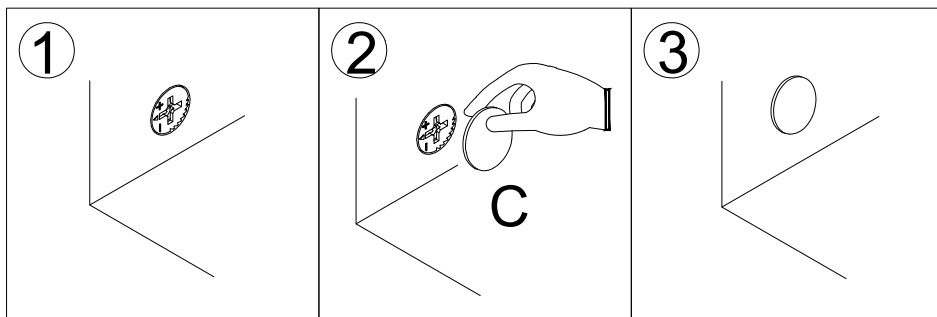


F\*12PCS



# STEP 34

Cover the visible



C\*30PCS