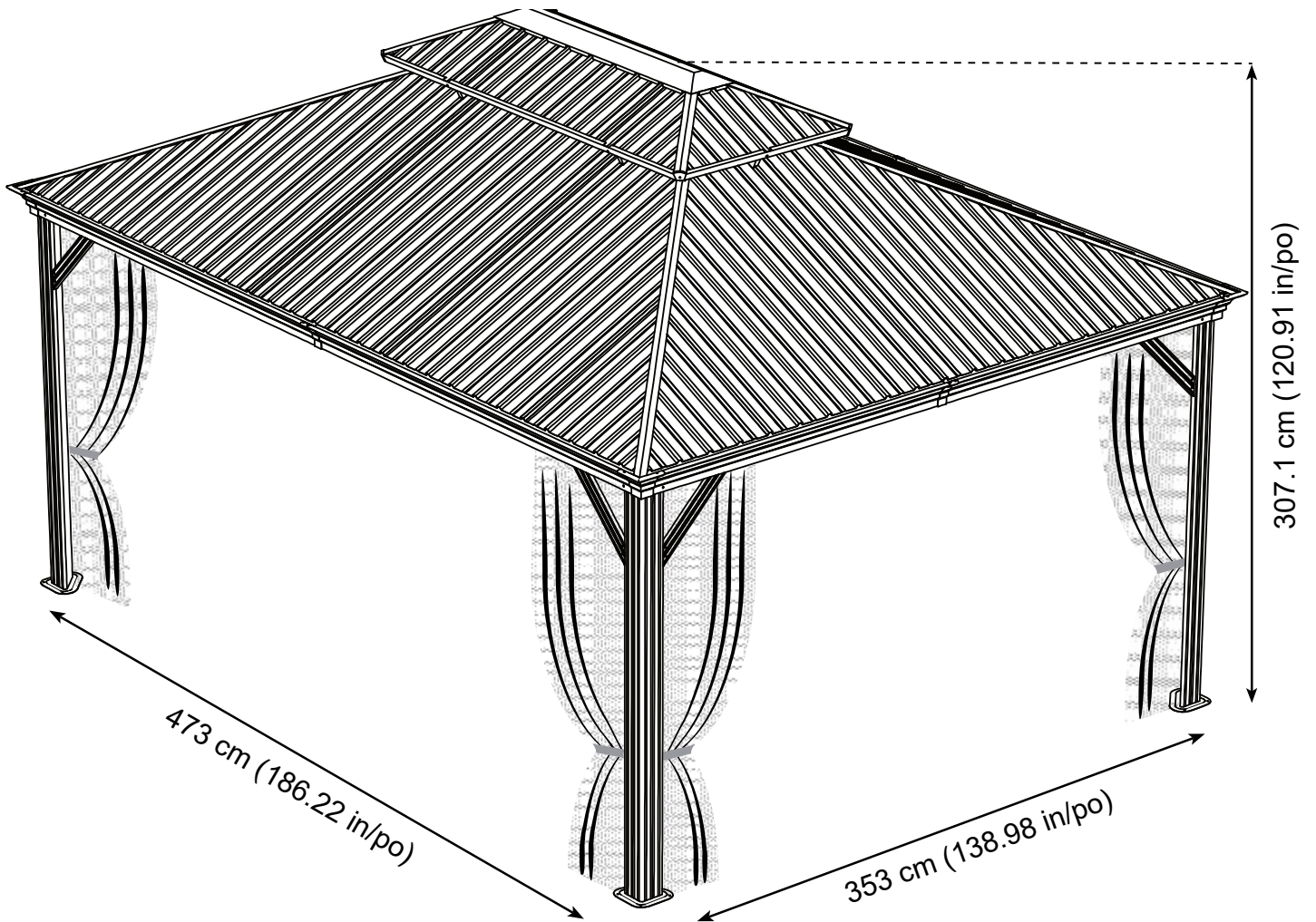


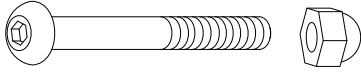
HARDTOP GAZEBO-TA58-12x16ft

XDPC13

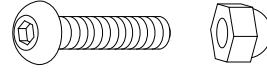




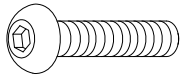
S X 18 (+2)



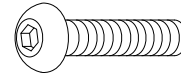
T X 90 (+9)



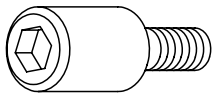
U X 19 (+2)



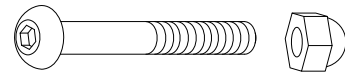
V X 266 (+10)



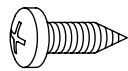
X X 16 (+2)



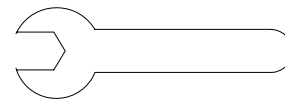
X1 X 4 (+2)



Y X 24 (+5)



W2 X 1

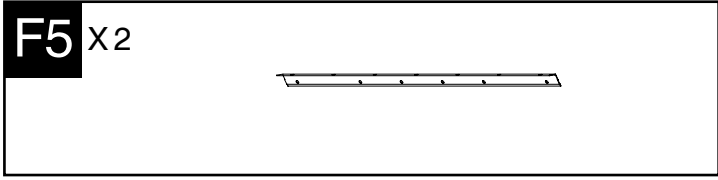
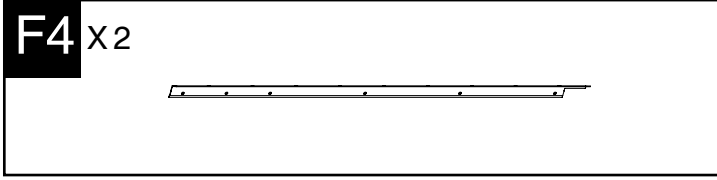
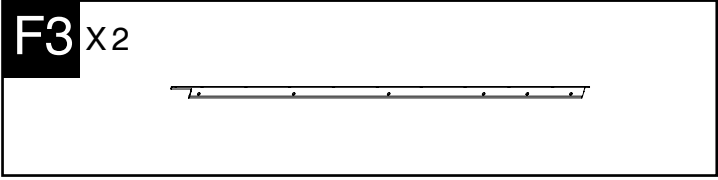
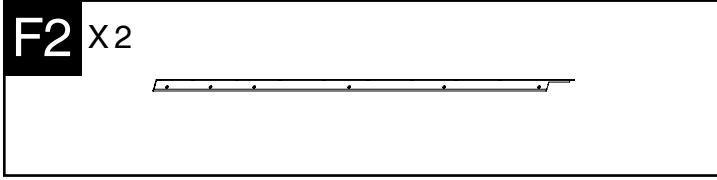
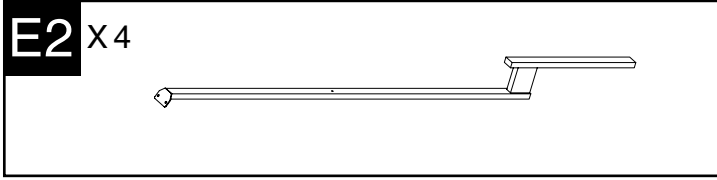
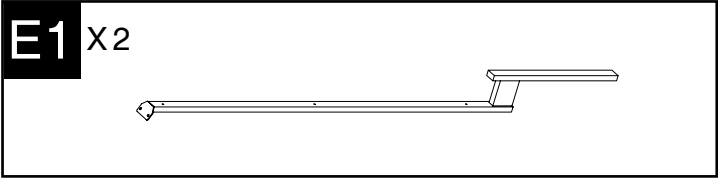
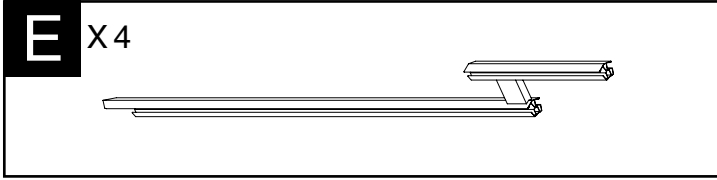
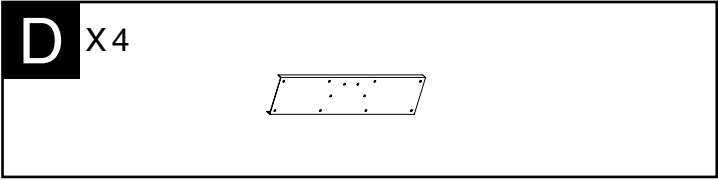
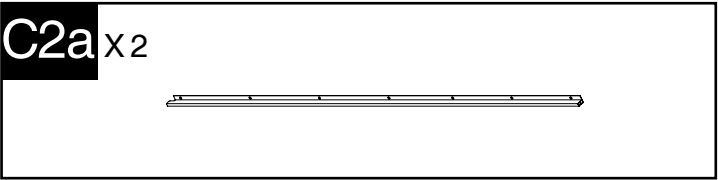
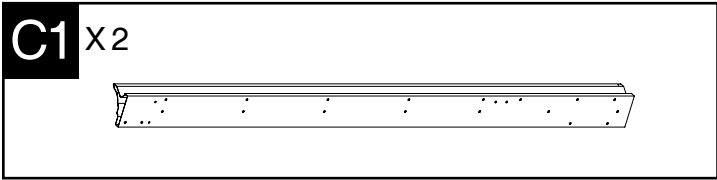
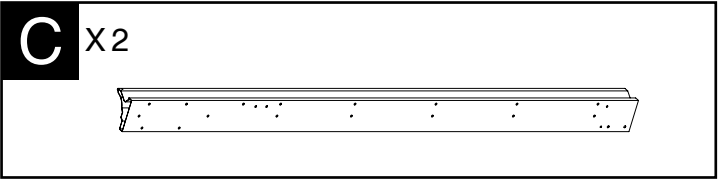
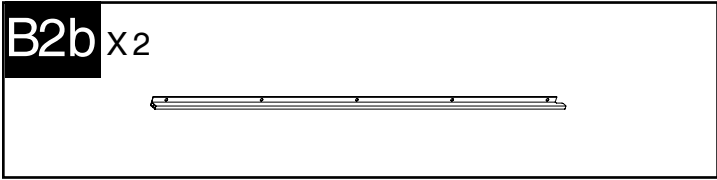
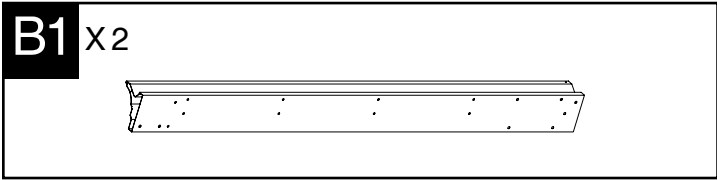
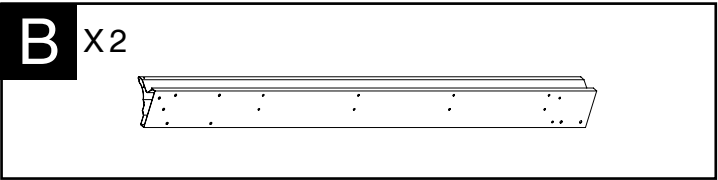
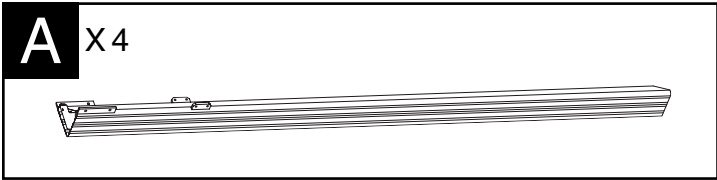


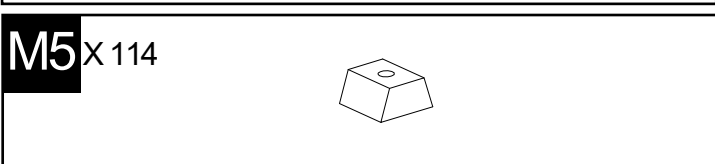
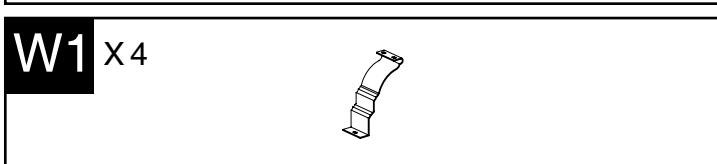
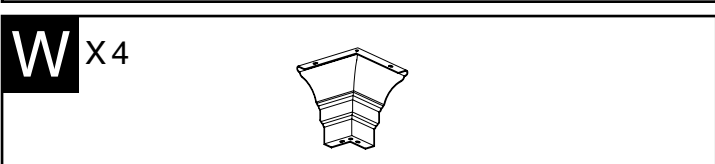
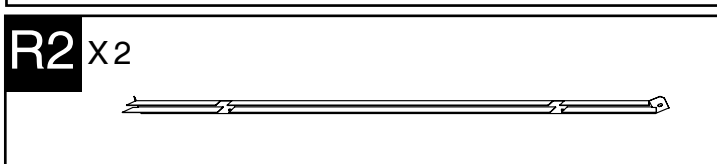
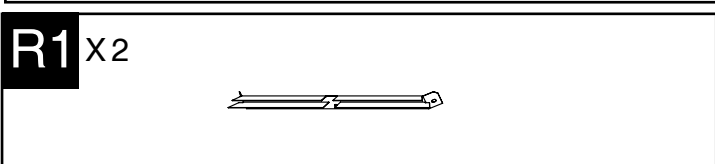
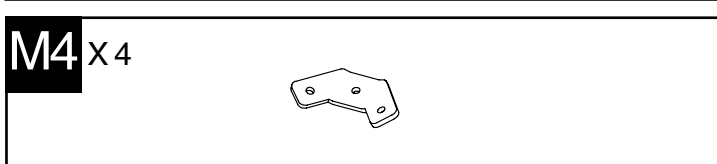
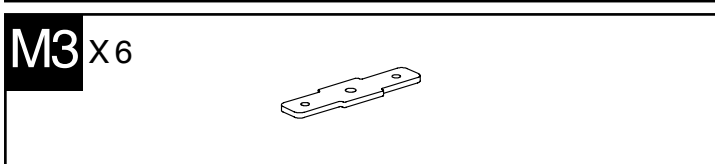
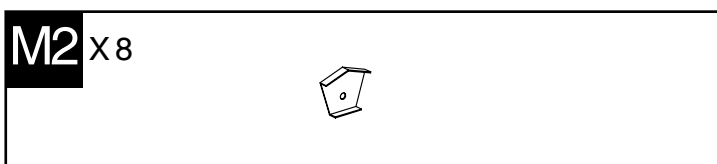
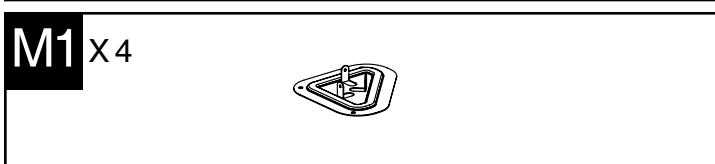
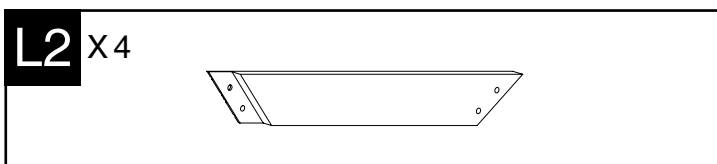
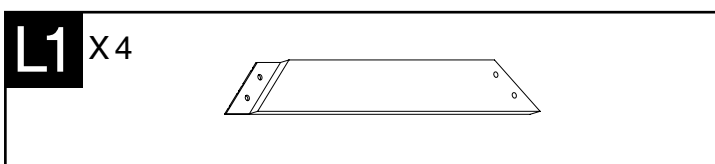
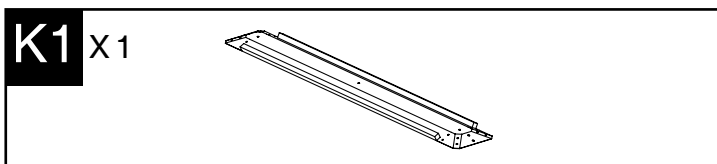
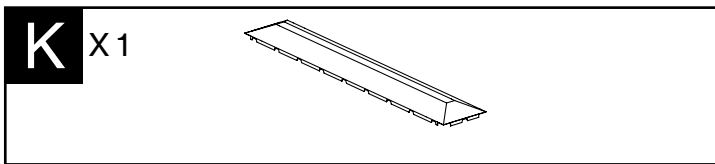
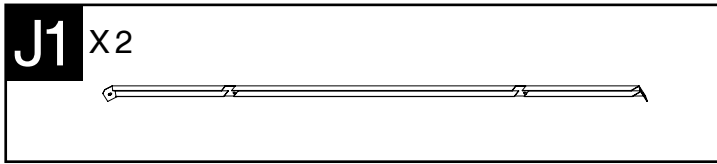
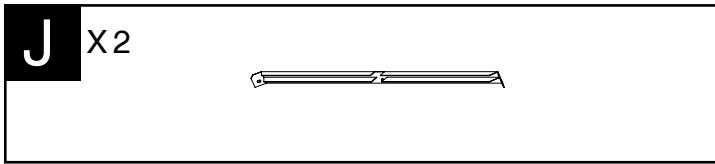
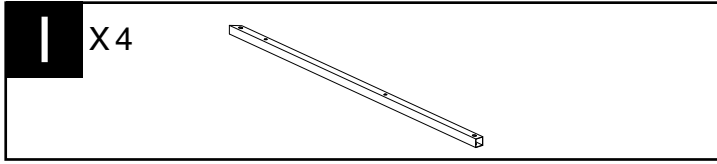
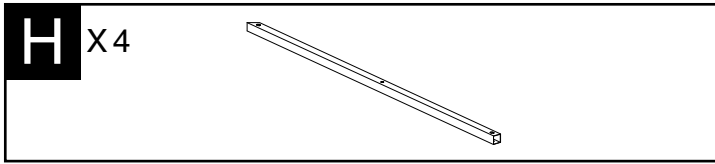
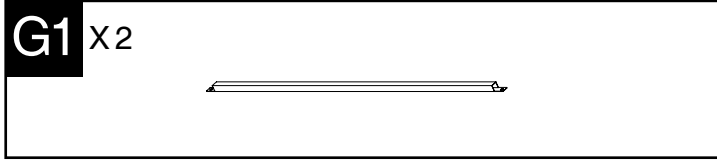
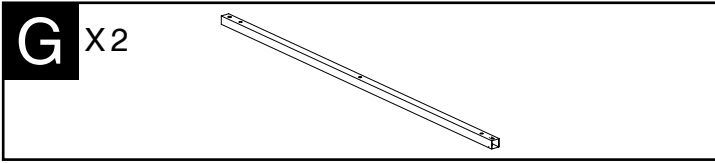
Wa X 2



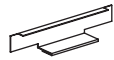
Z X 1



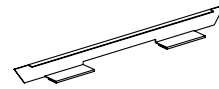




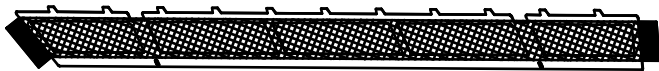
D1 X16 (+1)



R X72 (+2)



ZS8 X2



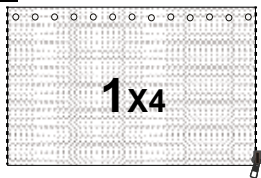
ZS3 X2



Net

Q X64(+3)

optional



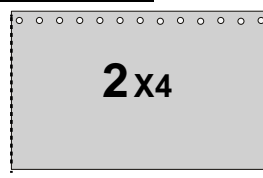
1x4



Curtain

Q X64(+3)

optional



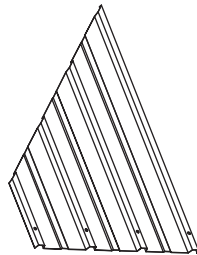
2x4



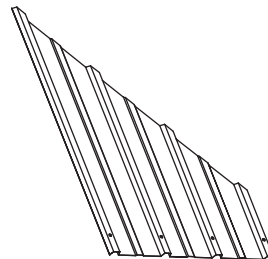
N X2



N1 X2



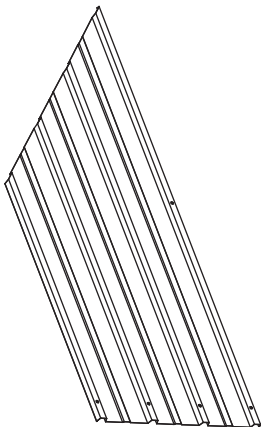
N6 X2



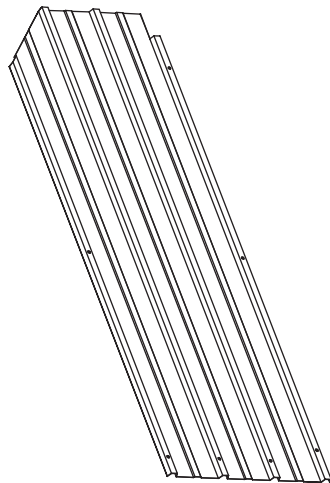
N7 X2



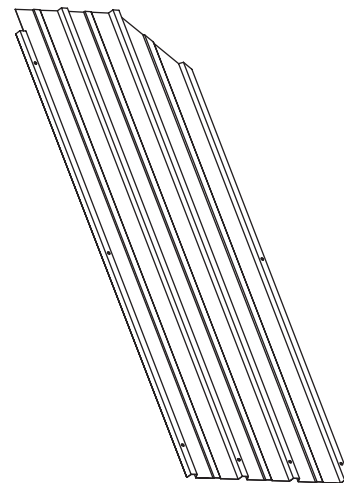
N2 X2



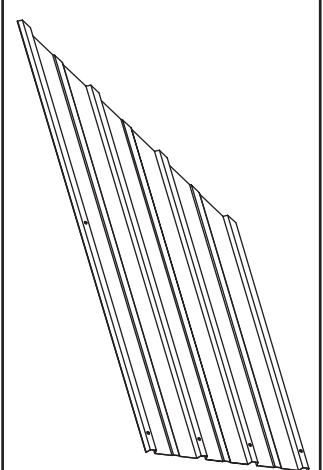
N3 X2

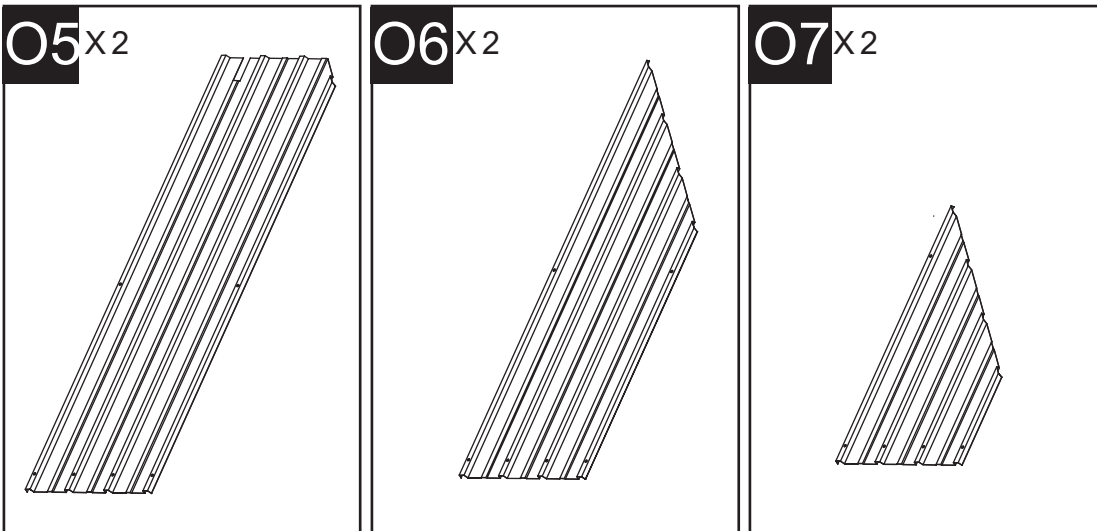
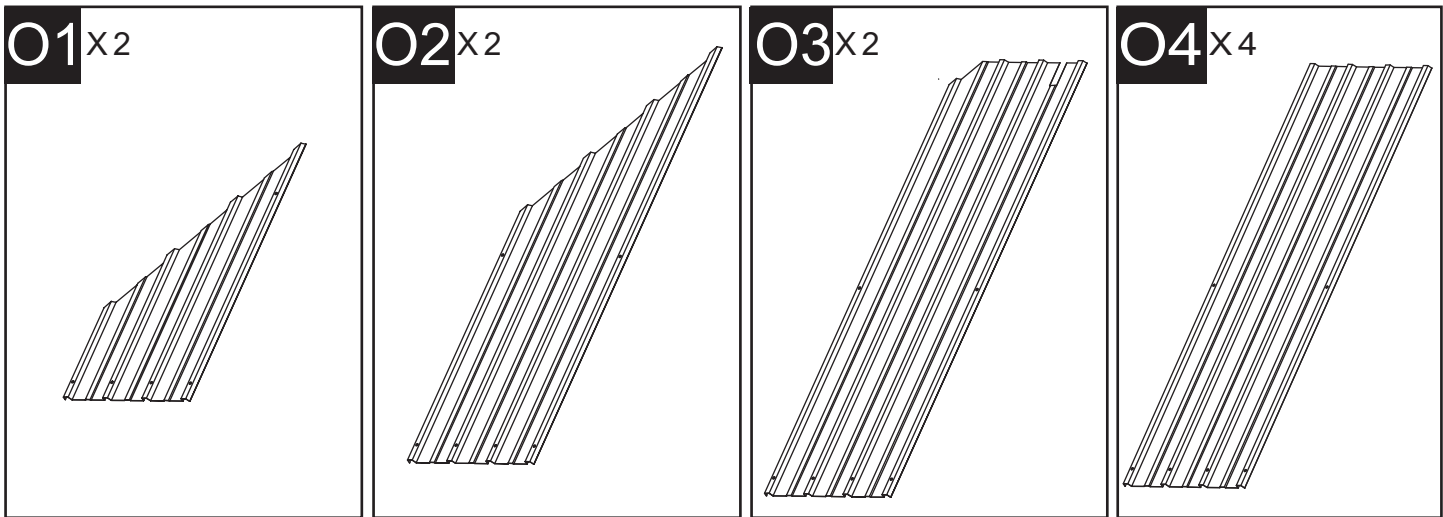
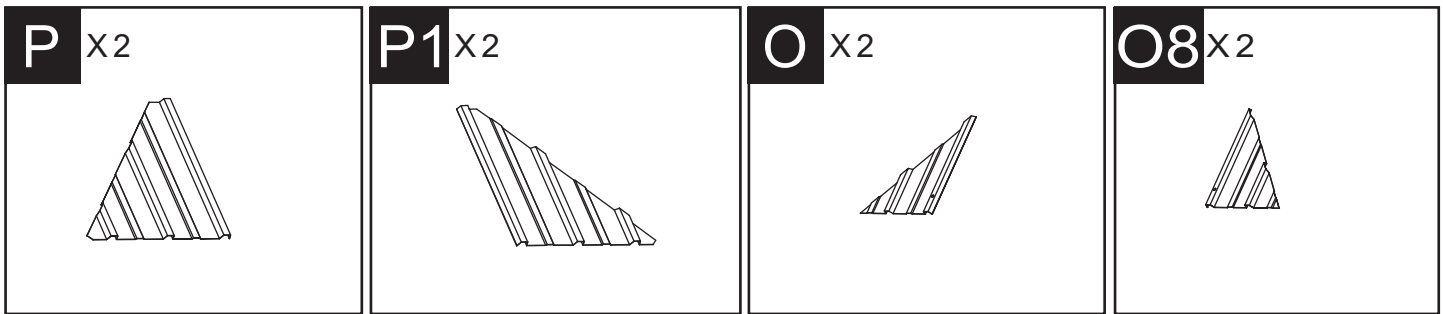
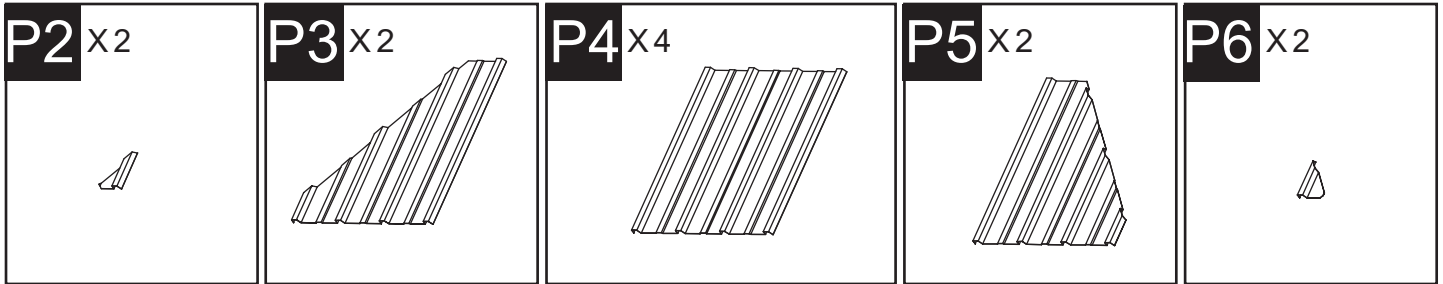


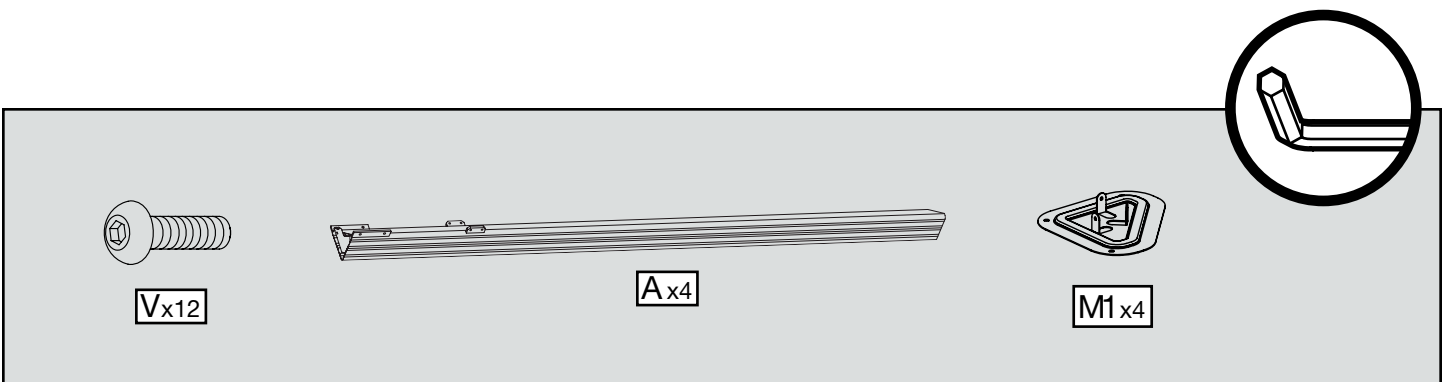
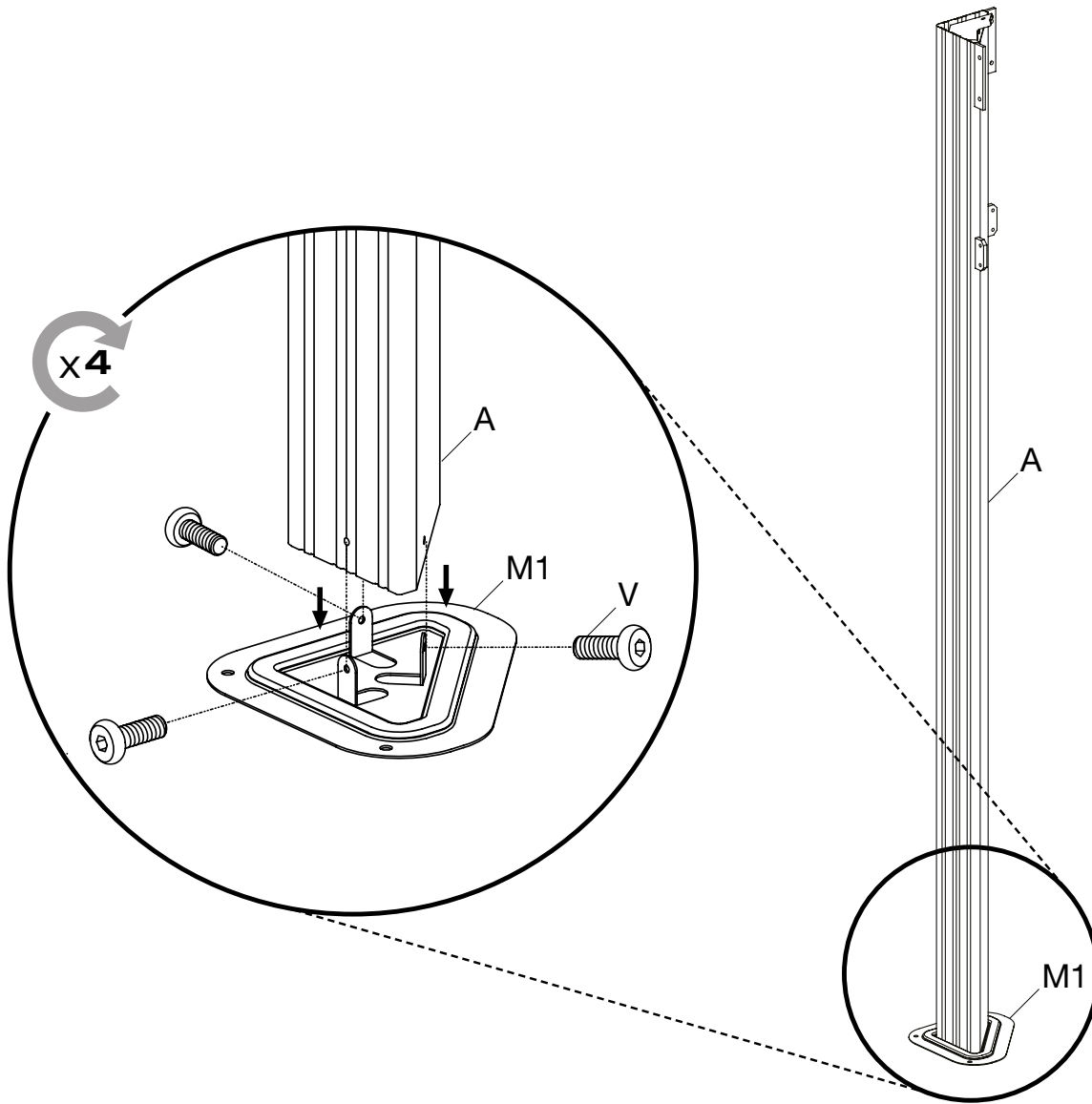
N4 X2

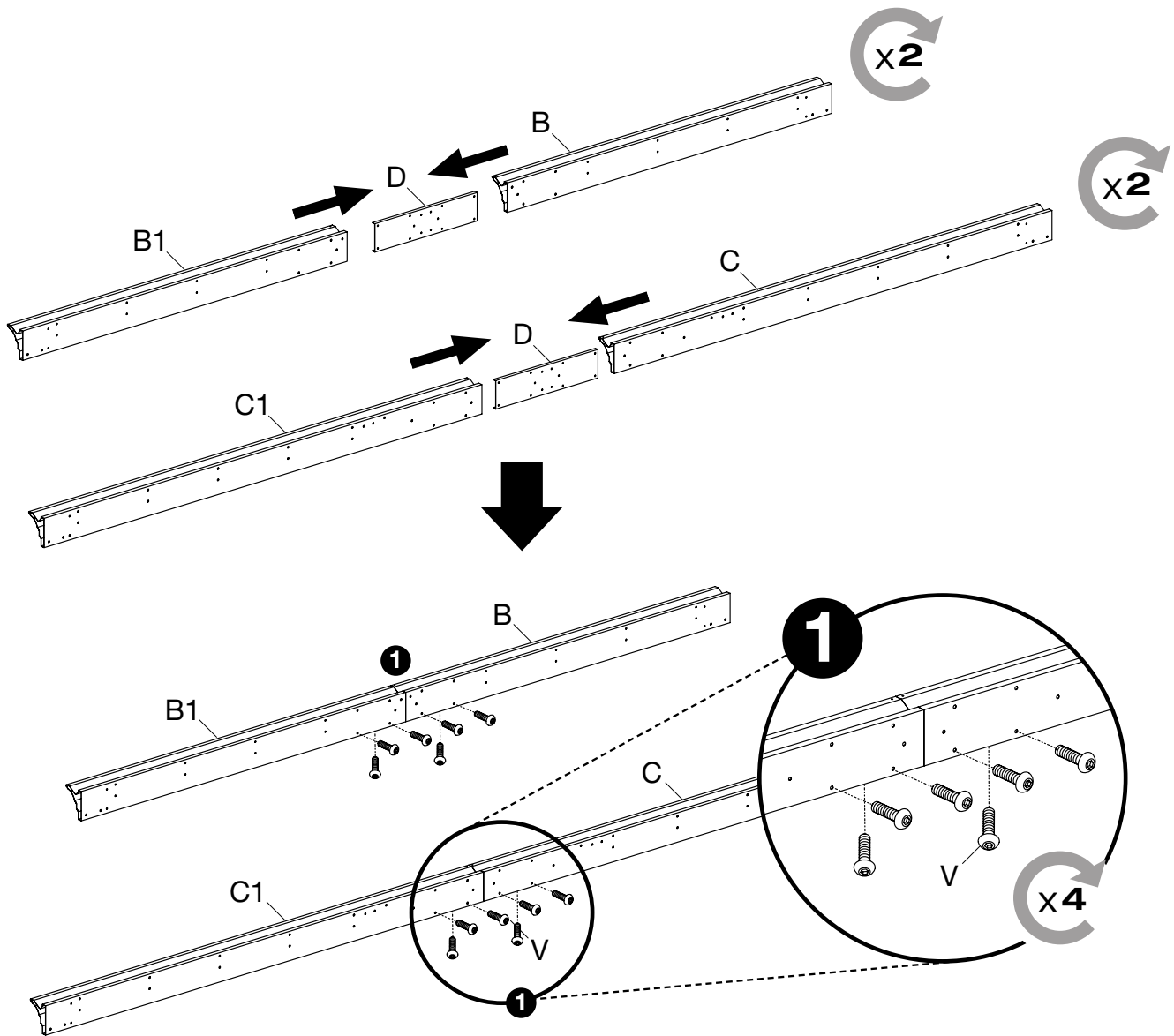


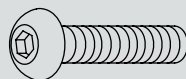
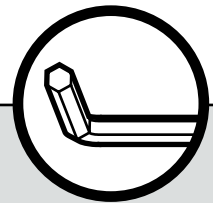
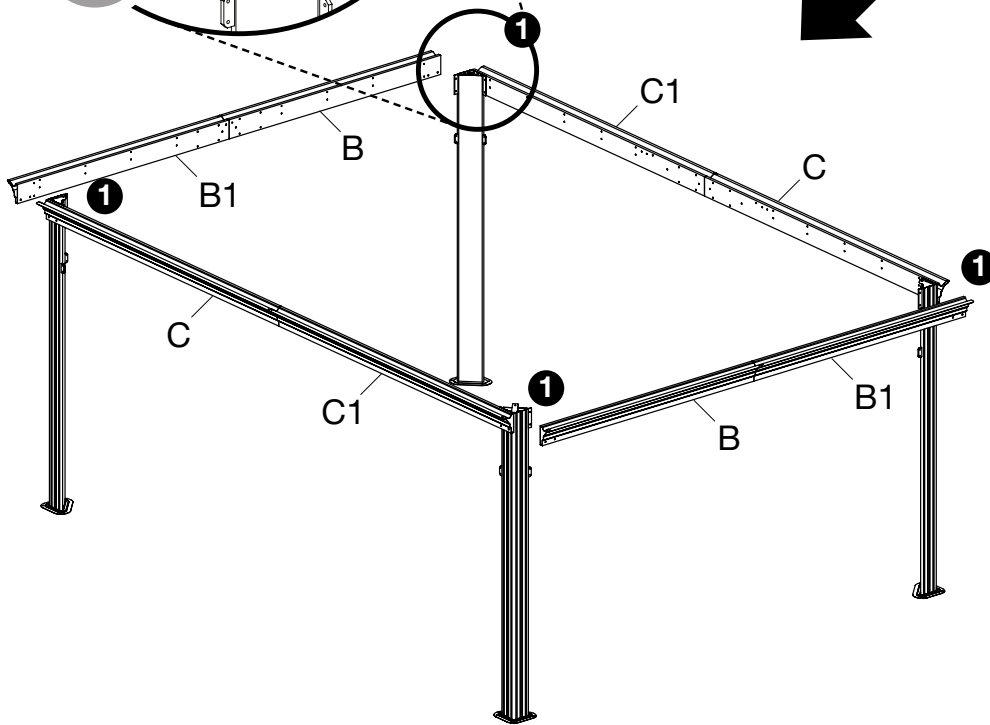
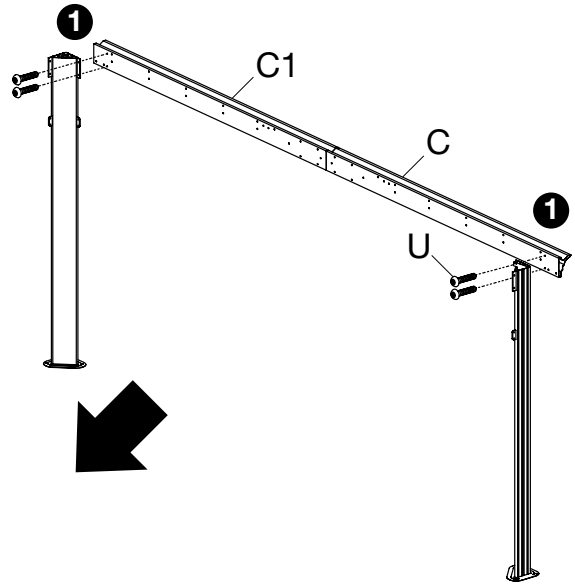
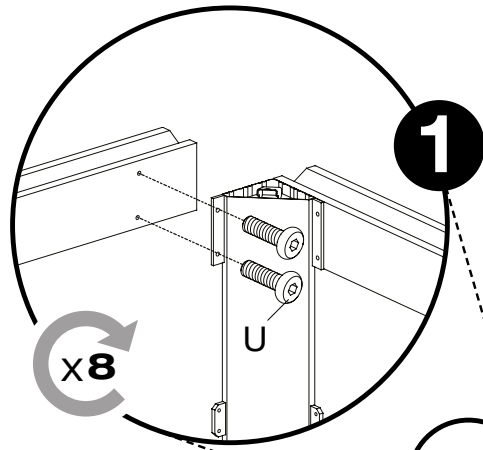
N5 X2



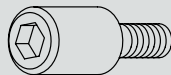
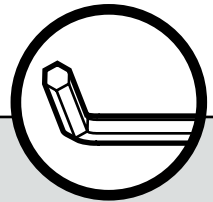
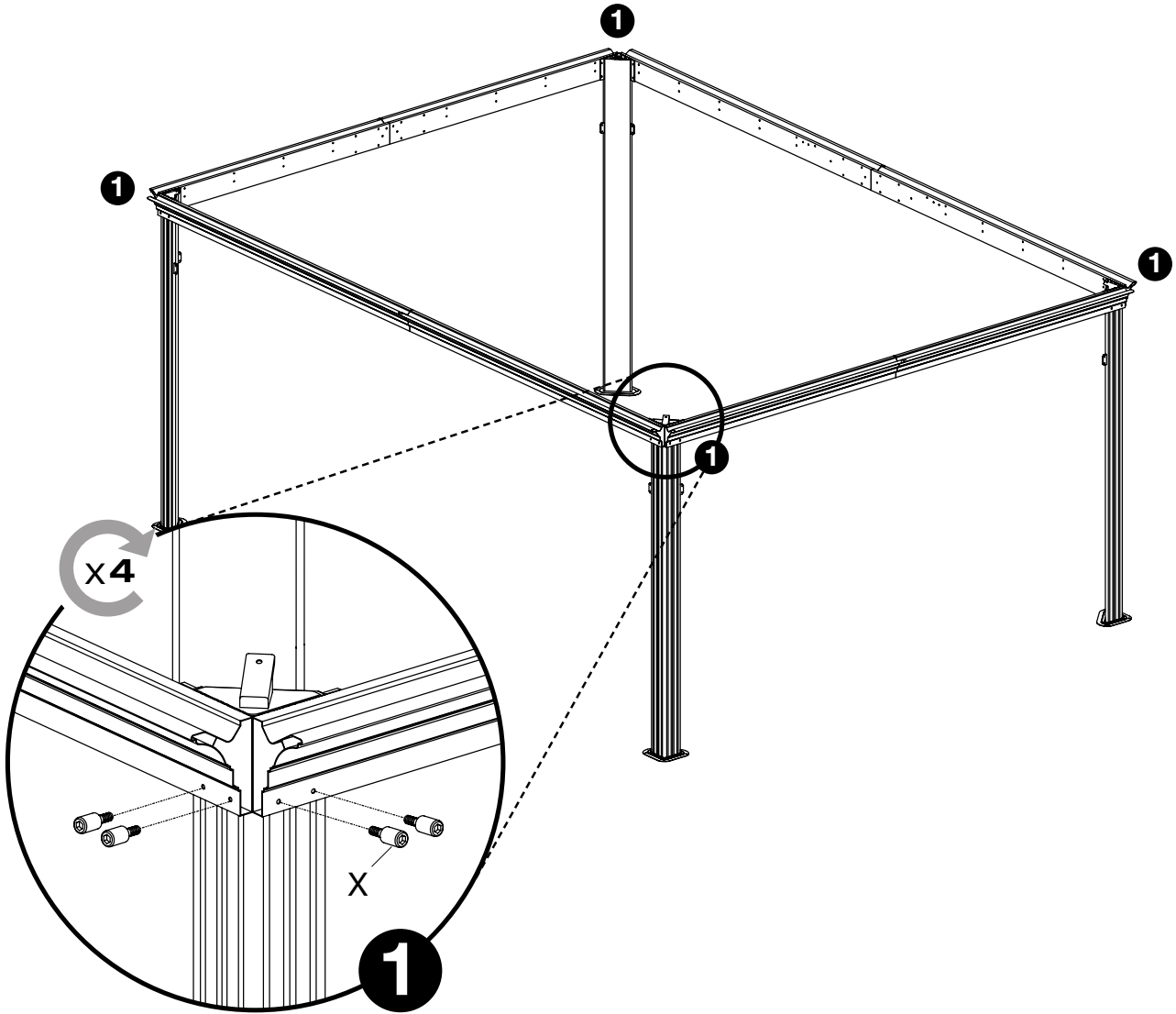




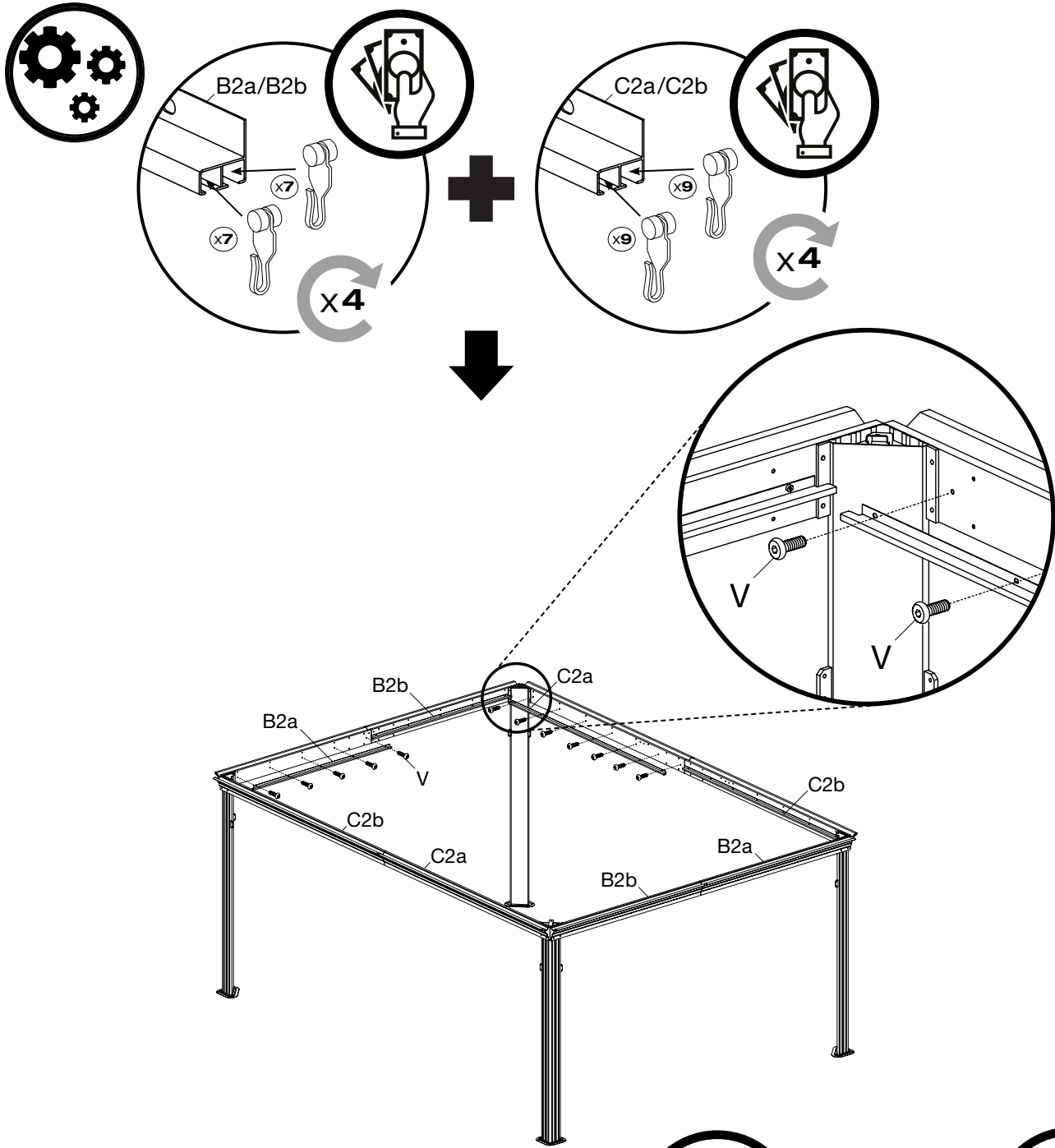











U x16

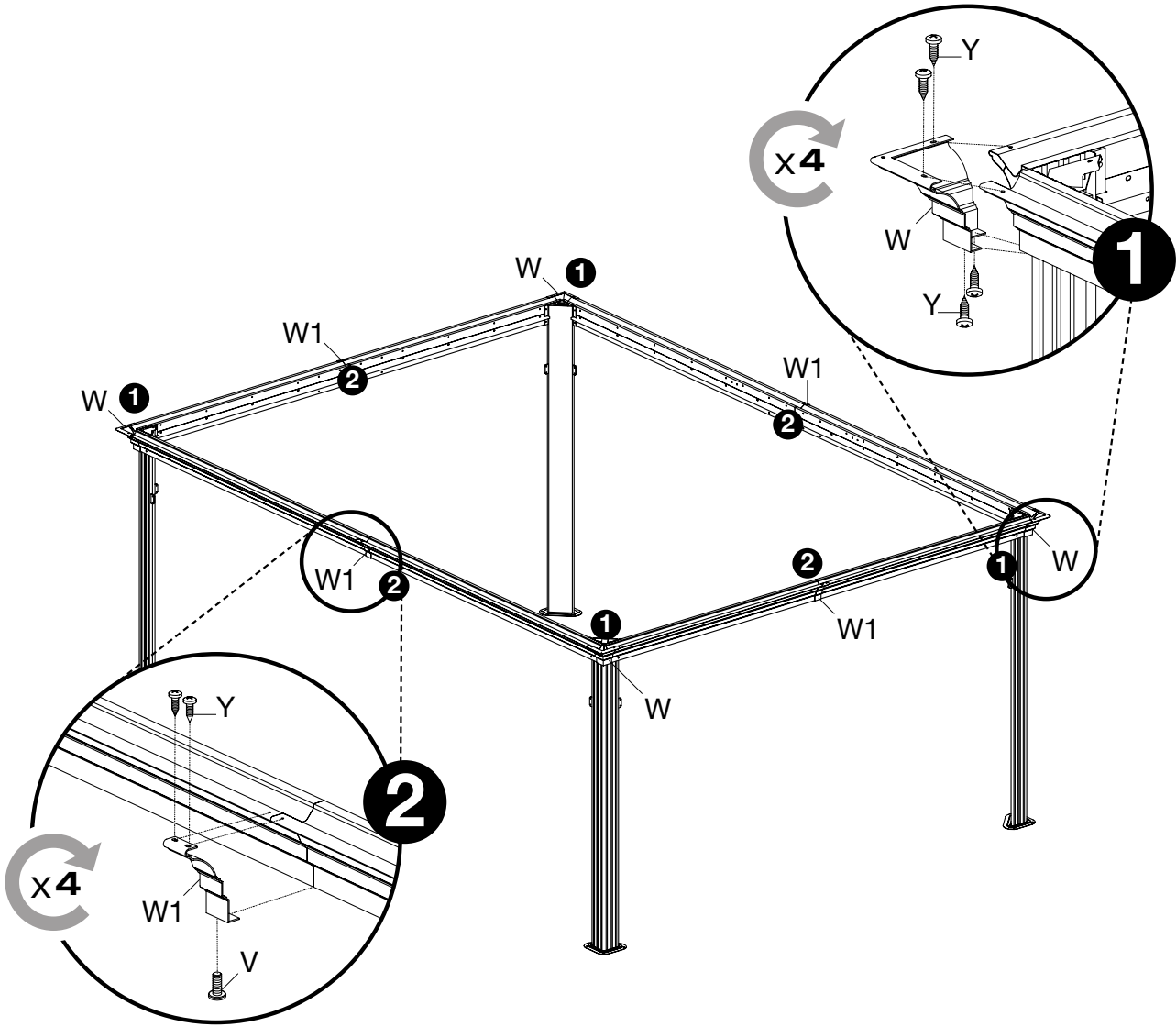


Xx16



 B2a x2	 C2a x2	 V x48	 Q x64	 Q x64
 B2b x2	 C2b x2			

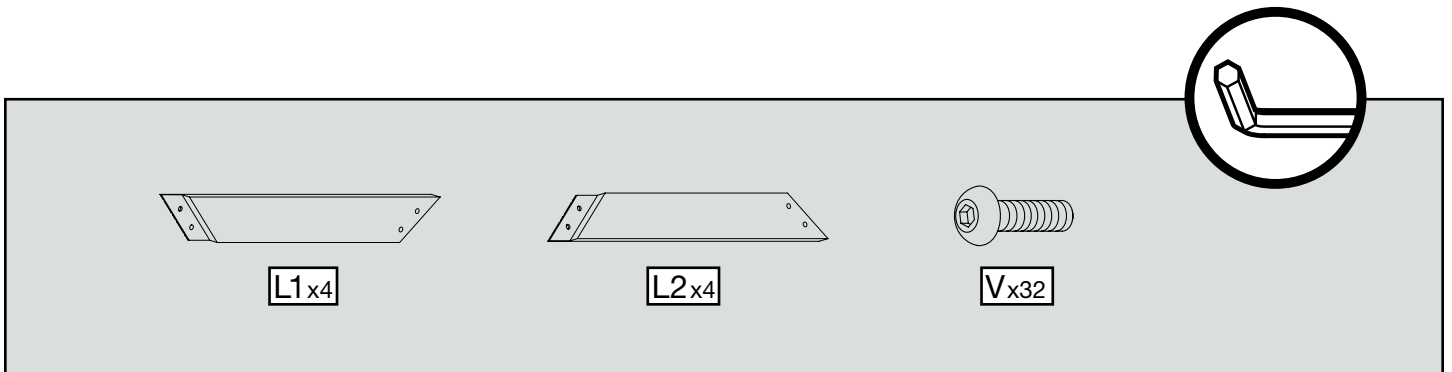
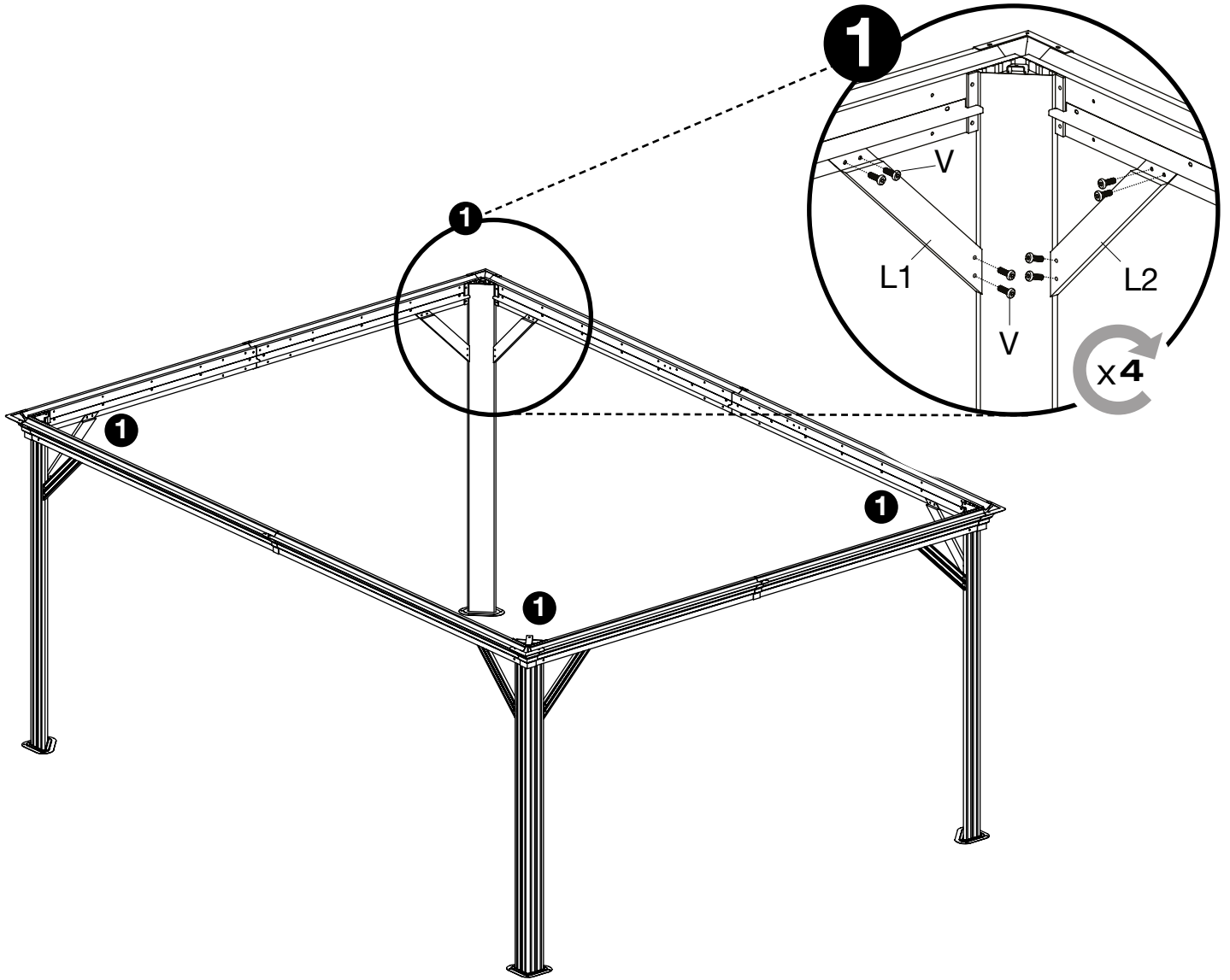
Note: An Allen key icon is shown in a circle above the screw V x48.

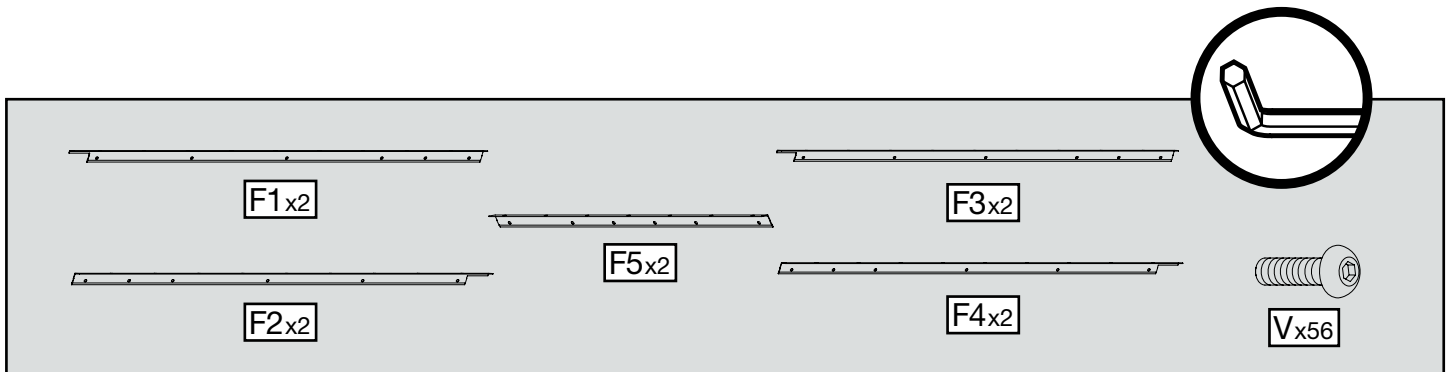
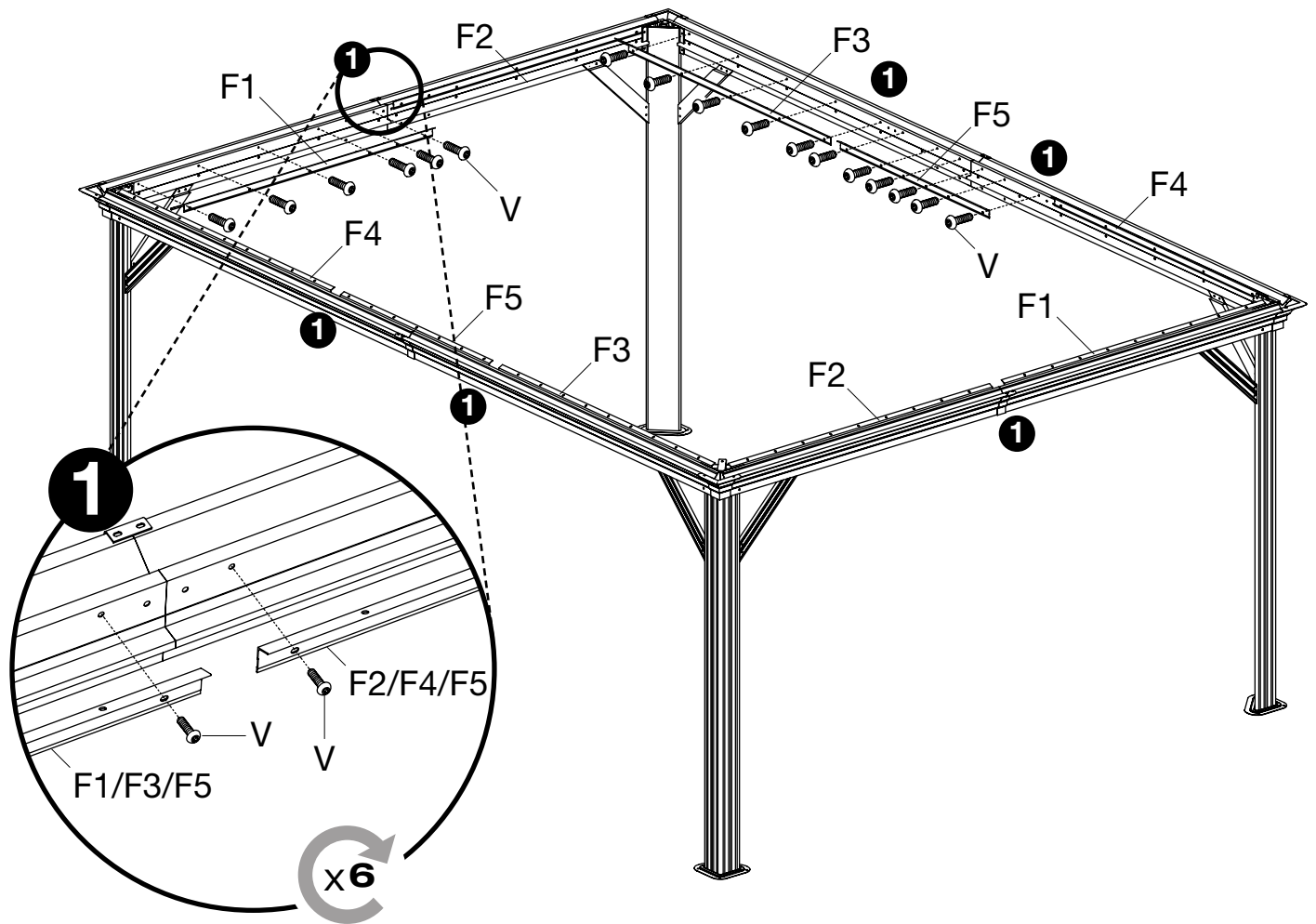


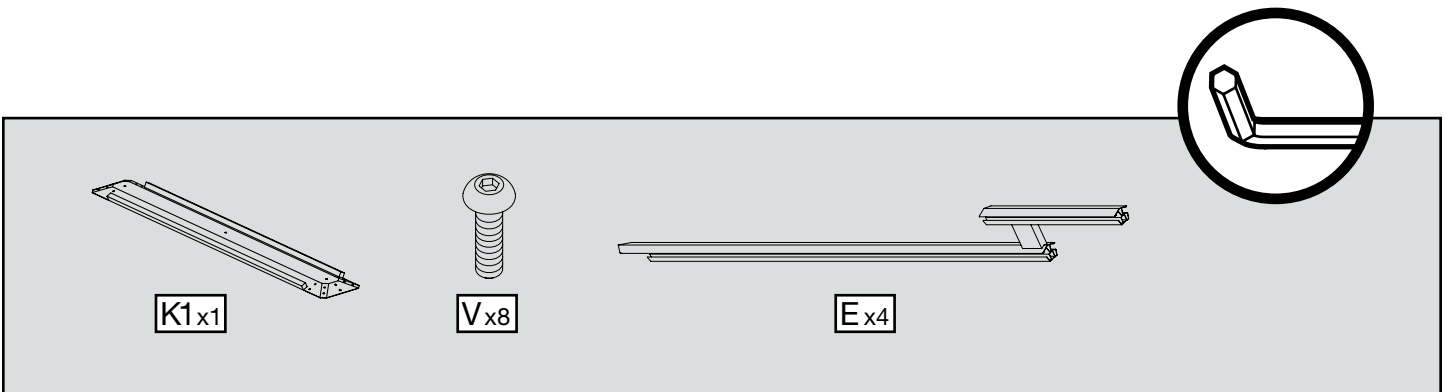
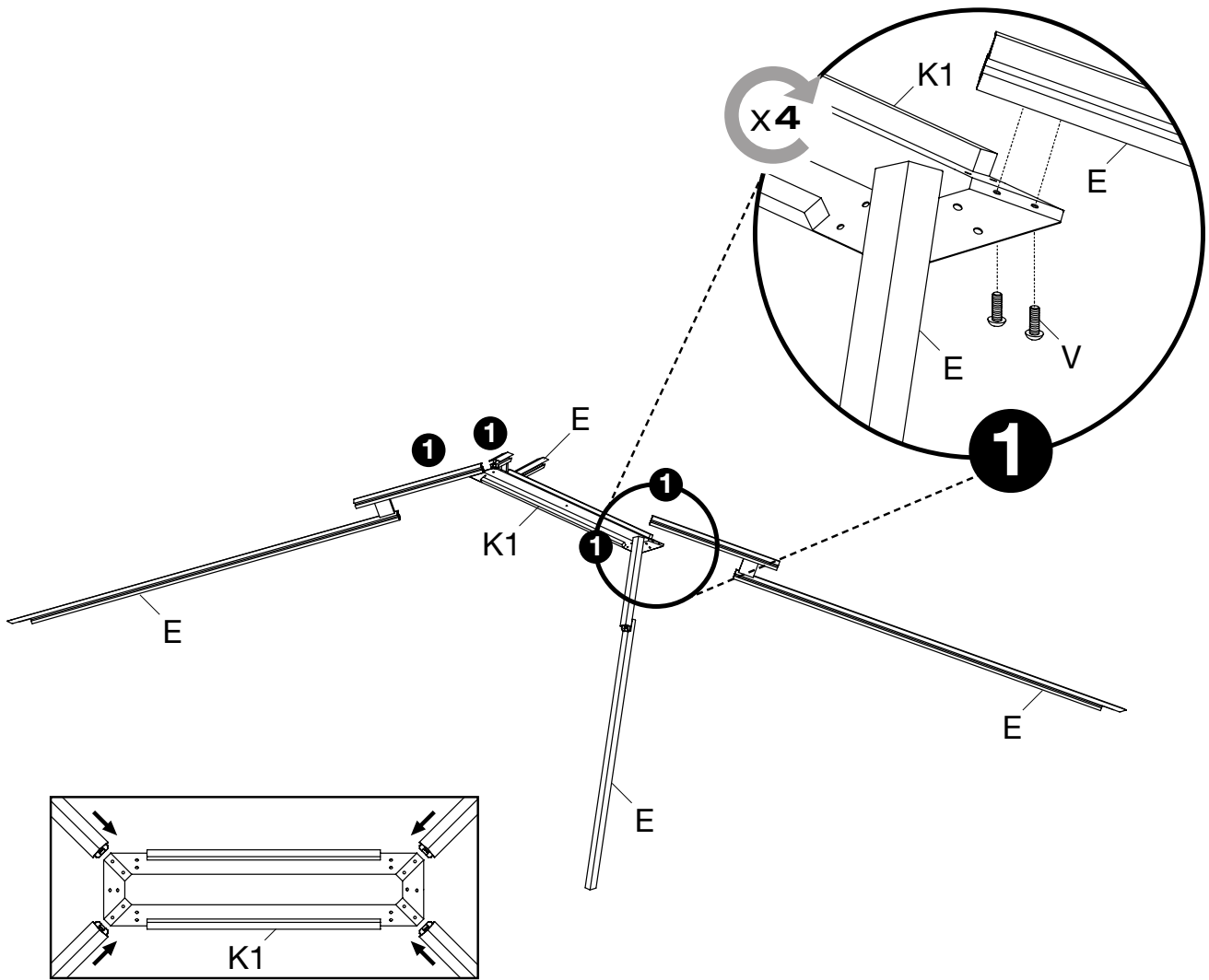
This section contains a parts list and tool icons. The parts list includes:

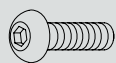
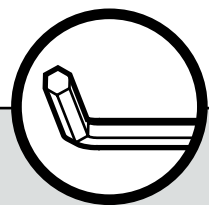
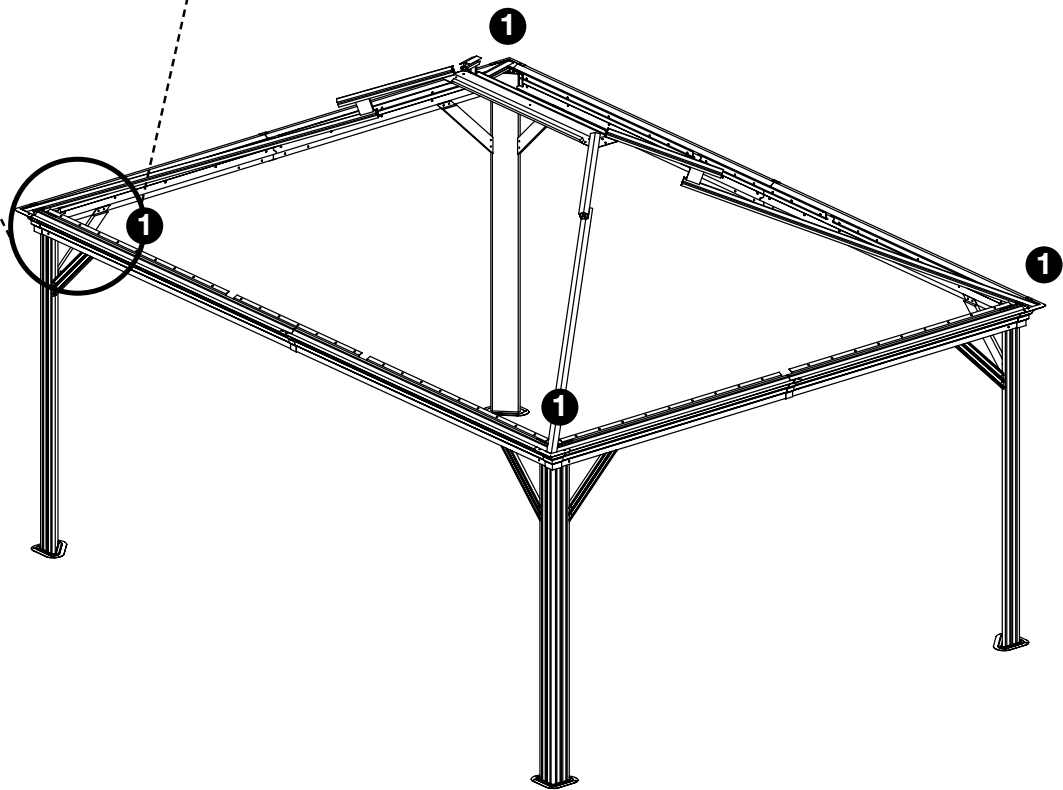
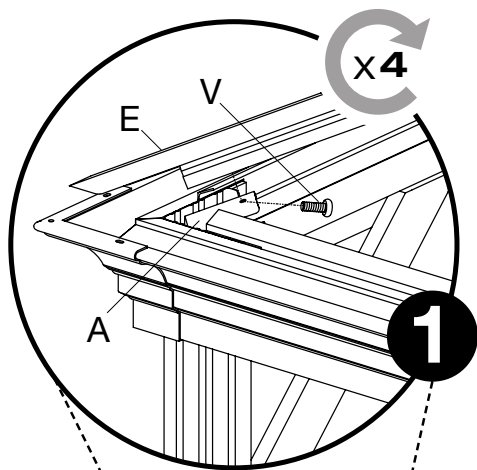
- W_{x4}**: A square corner rail.
- W1_{x4}**: A diagonal rail.
- V_{x4}**: A screw used for attaching rail W1.
- Y_{x24}**: A screw used for attaching rail W.

Below the parts list are two circular icons representing tools: a hex key and a flathead screwdriver.

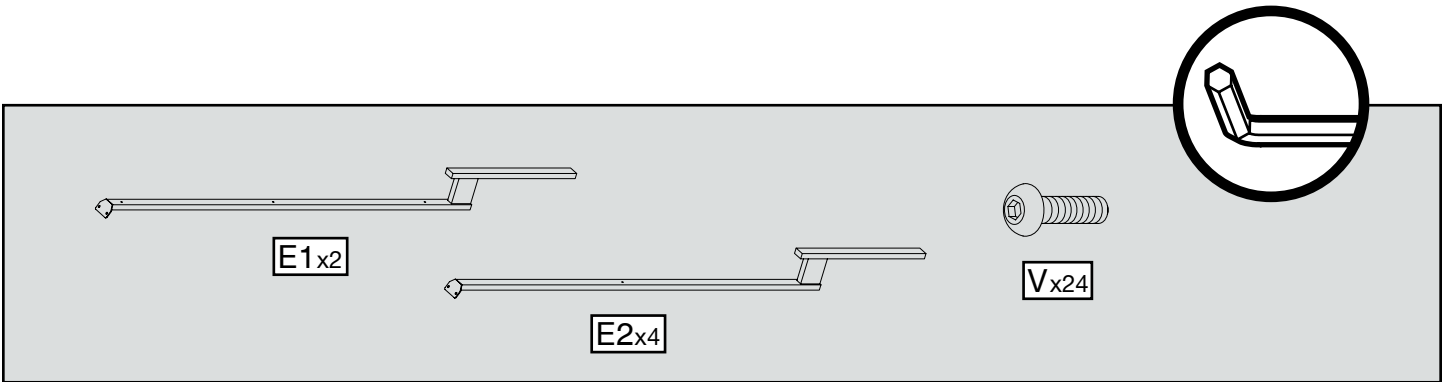
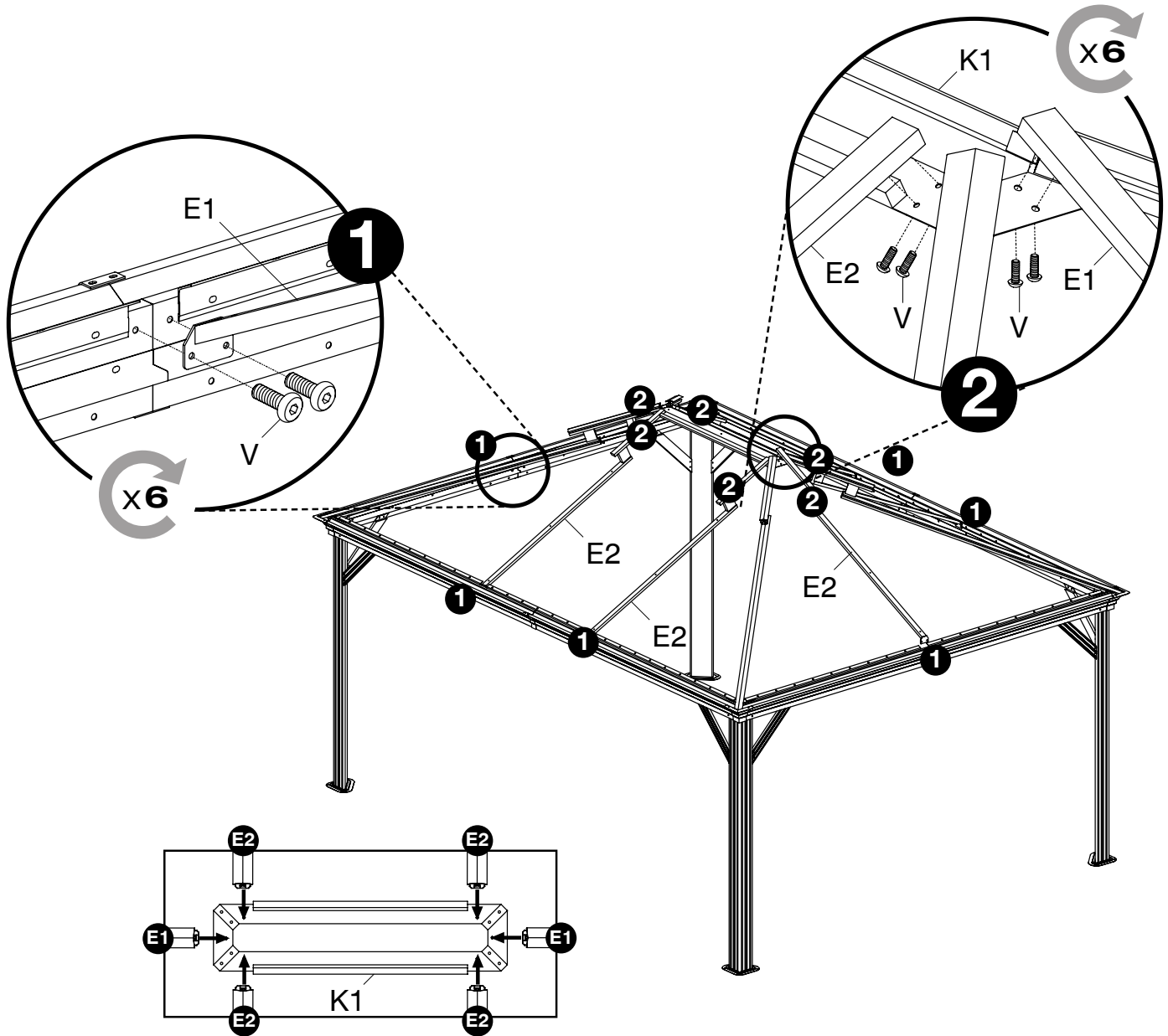


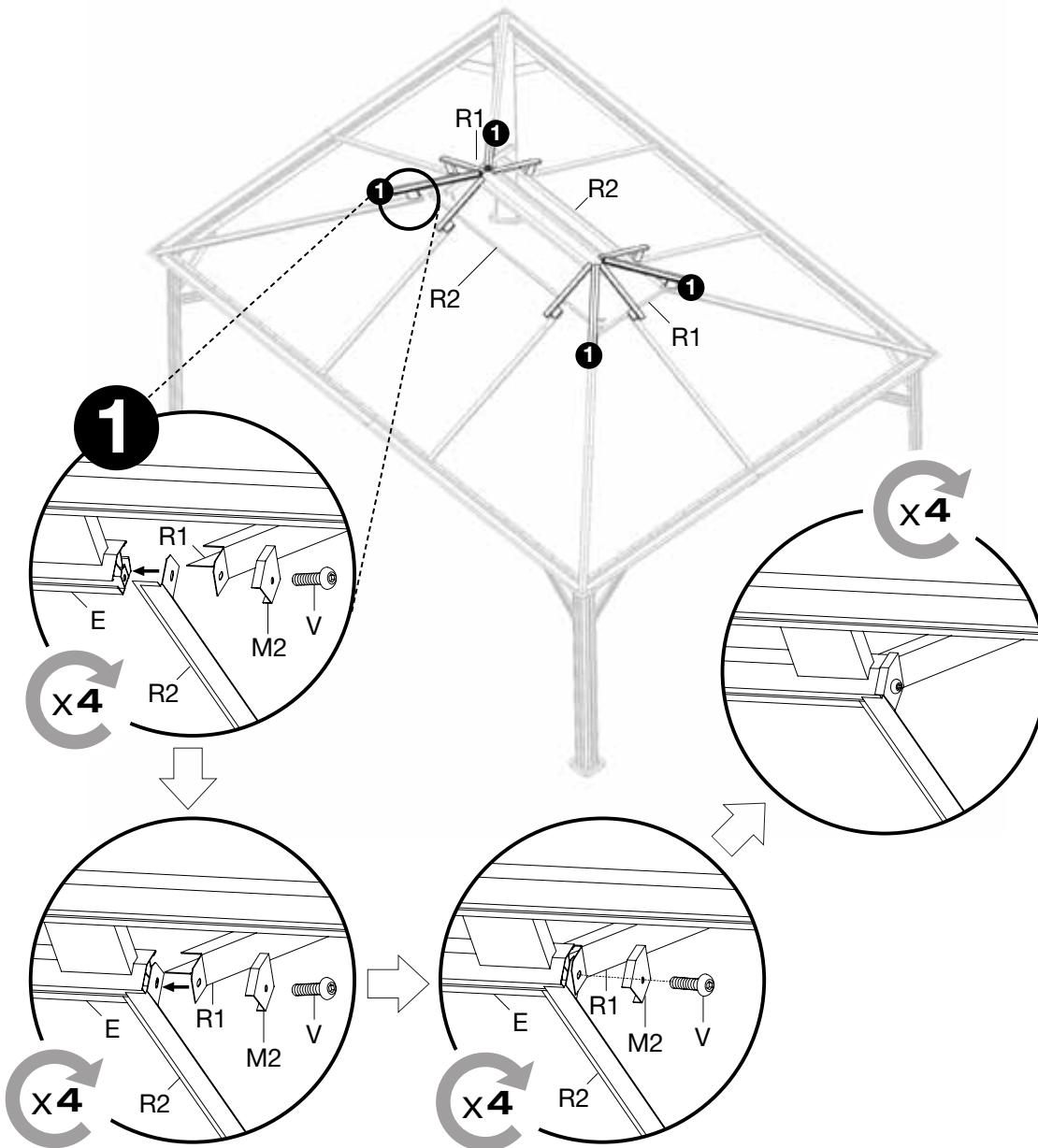






Vx4





R1x2

R2x2

M2x4

Vx4

