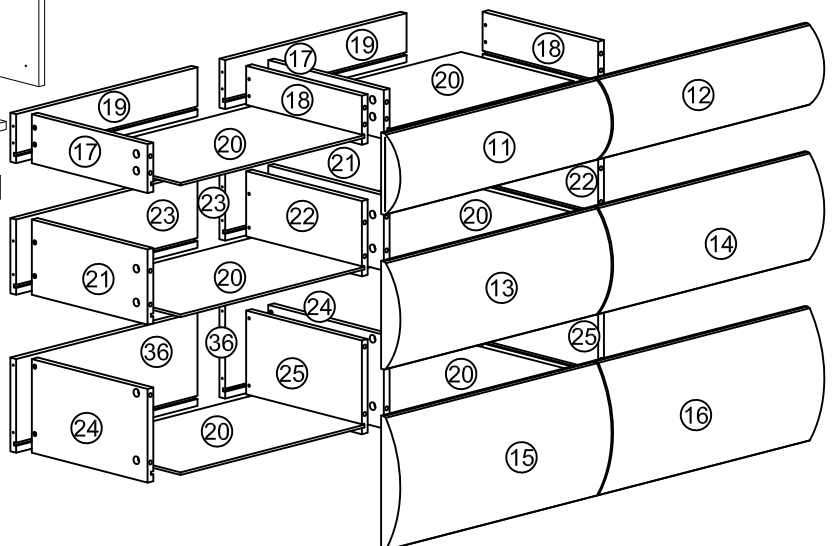
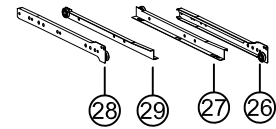
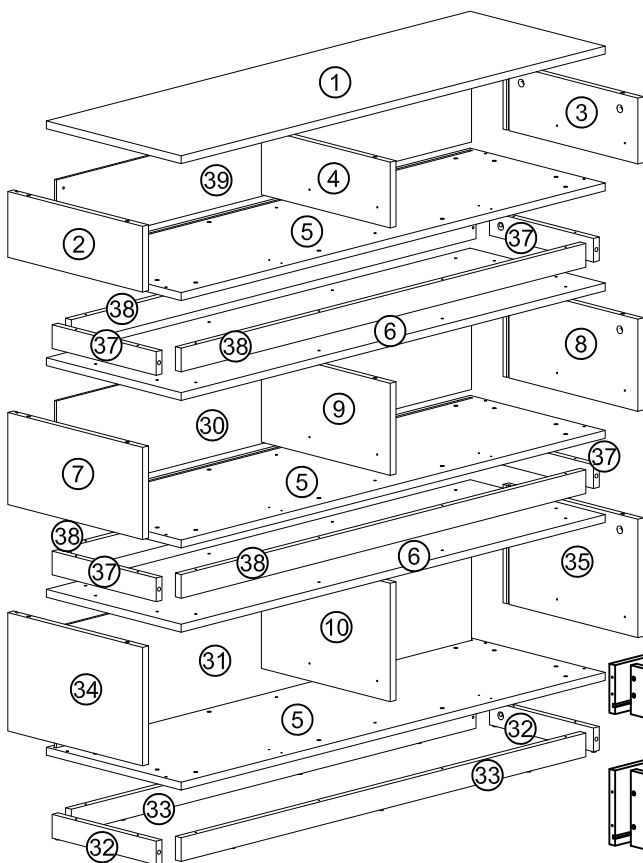
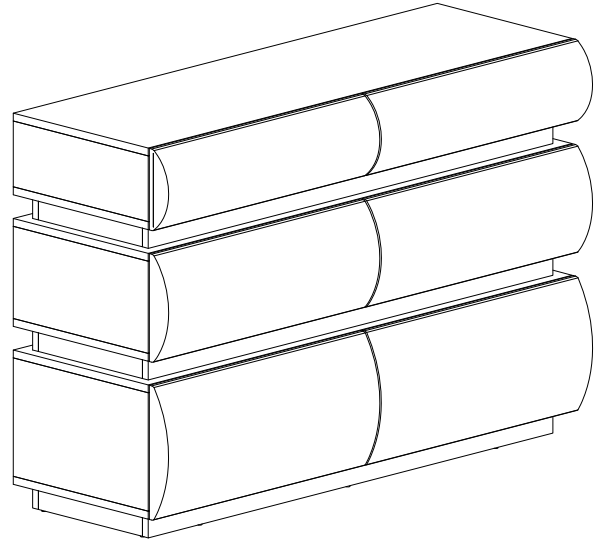


# ASSEMBLY INSTRUCTION

P 1

If you find any parts in any package damaged or missing, please contact the customer service staff in time and inform us of the specific part number and quantity, and we will arrange for you to send new parts for free.

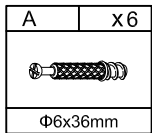
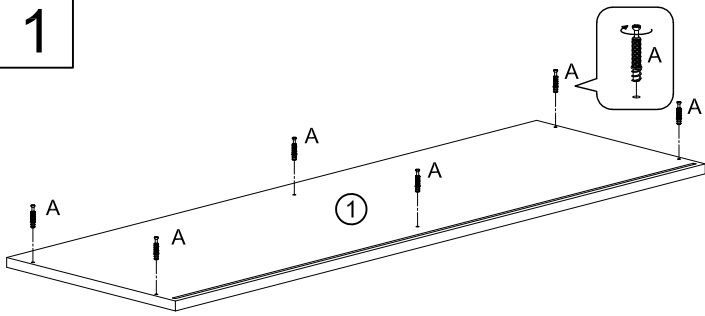




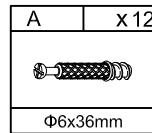
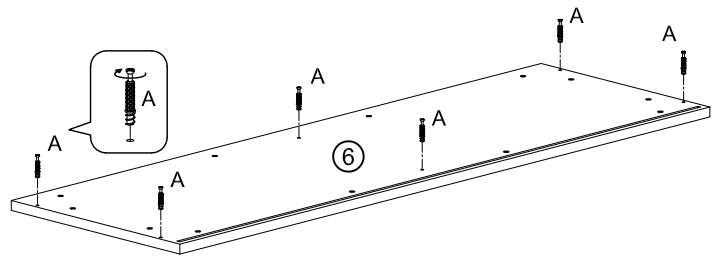
# ASSEMBLY INSTRUCTION

P 3

1

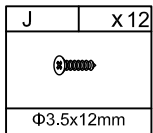
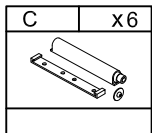
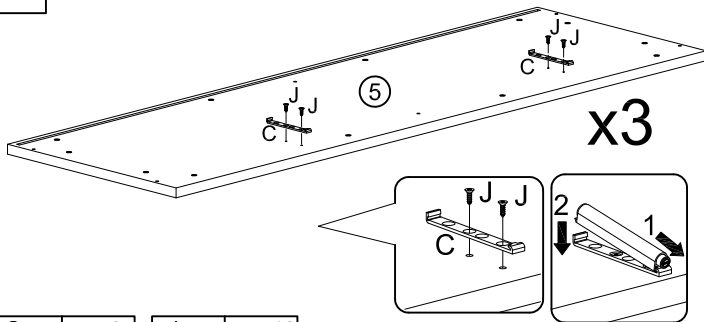


2

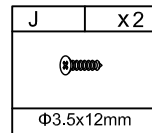
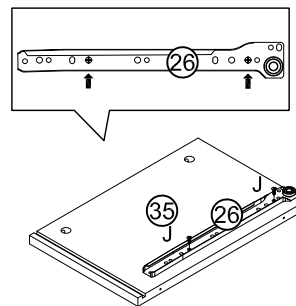


x2

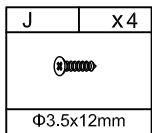
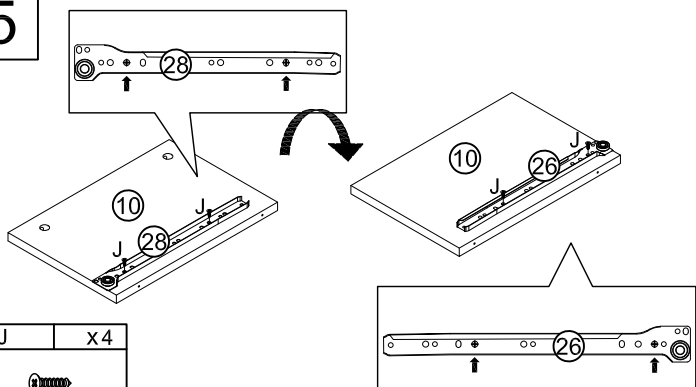
3



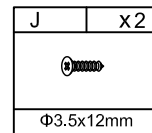
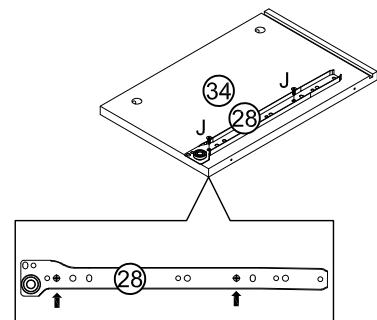
4



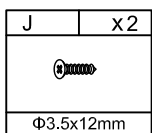
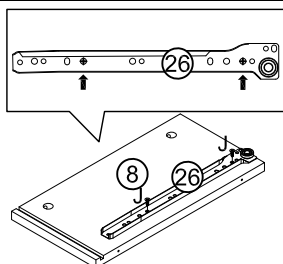
5



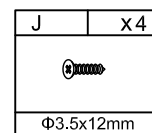
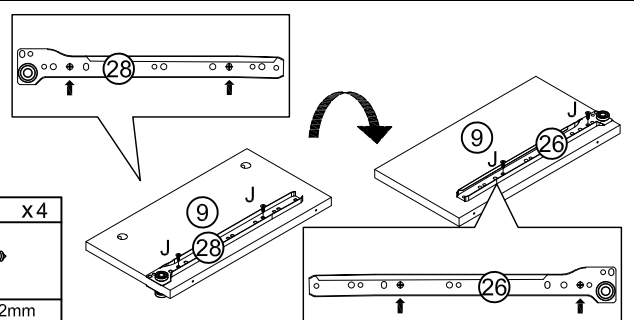
6



7



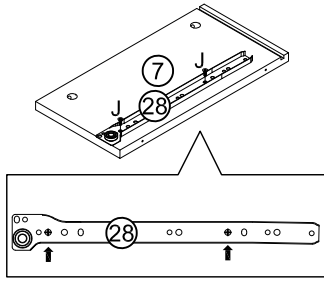
8



# ASSEMBLY INSTRUCTION

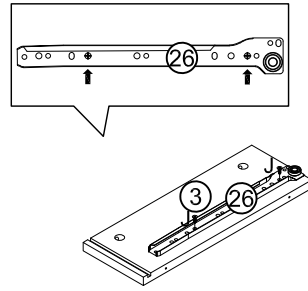
P 4

9



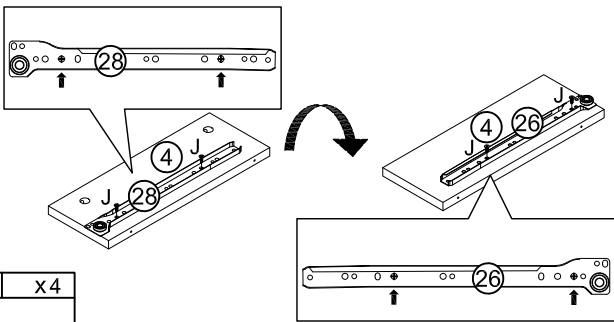
J	X2
Φ3.5x12mm	

10



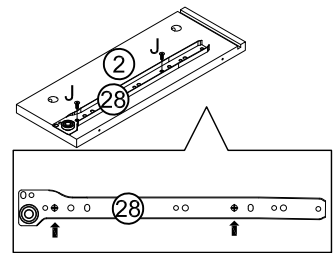
J	X2
Φ3.5x12mm	

11



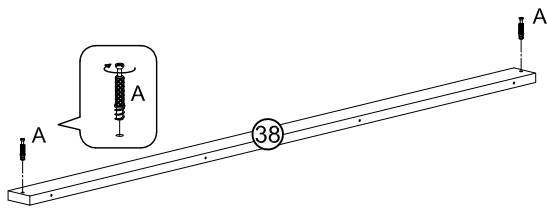
J	X4
Φ3.5x12mm	

12



J	X2
Φ3.5x12mm	

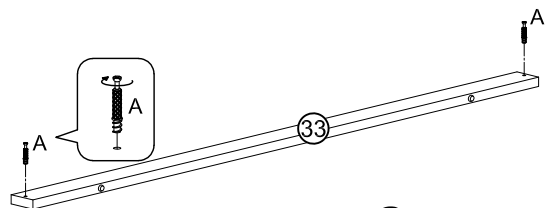
13



x4

A	X8
Φ6x36mm	

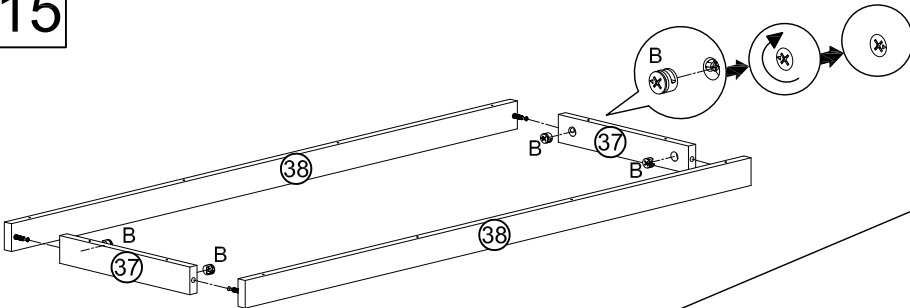
14



x2

A	X4
Φ6x36mm	

15

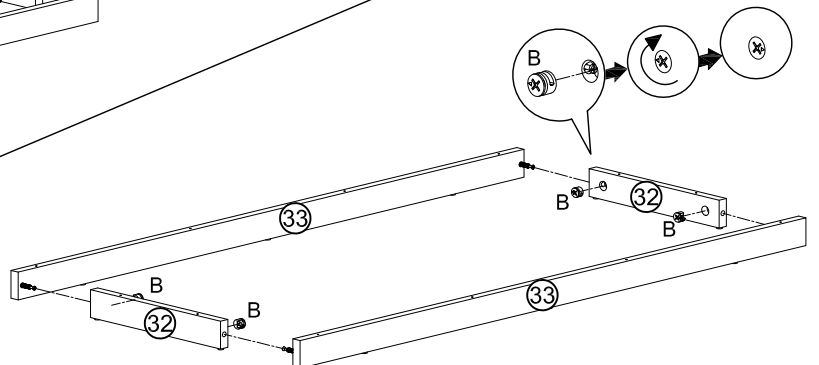


x2

B	X8
Φ15mm	

B	X4
Φ15mm	

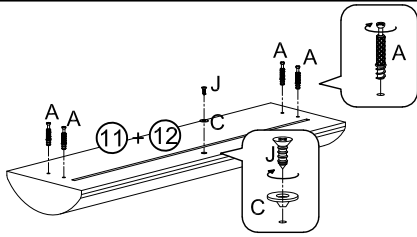
16



# ASSEMBLY INSTRUCTION

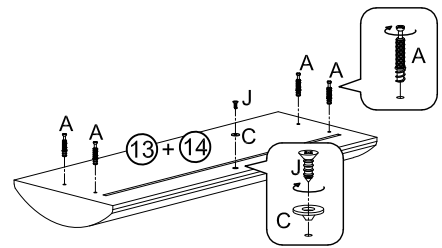
P 5

17



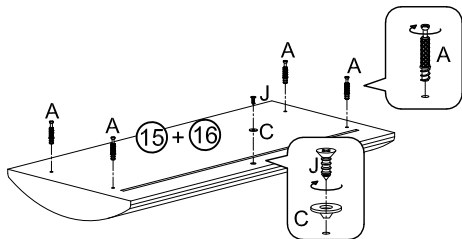
A	x8	J	x2	C	x2
Φ6x36mm		Φ3.5x12mm			

18



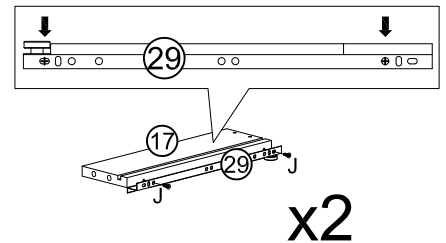
A	x8	J	x2	C	x2
Φ6x36mm		Φ3.5x12mm			

19



A	x8	J	x2	C	x2
Φ6x36mm		Φ3.5x12mm			

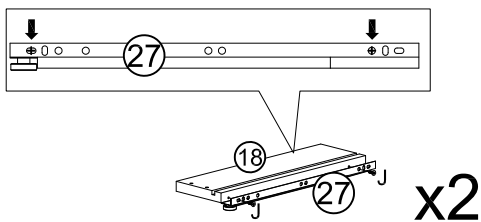
20



J	x4
Φ3.5x12mm	

x2

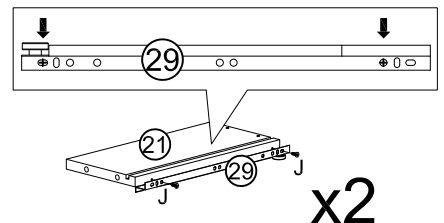
21



J	x4
Φ3.5x12mm	

x2

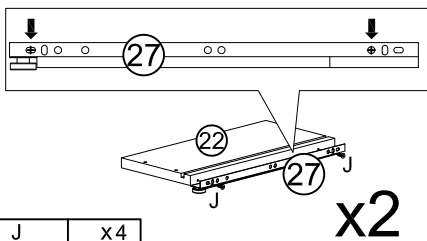
22



J	x4
Φ3.5x12mm	

x2

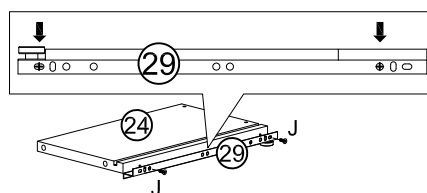
23



J	x4
Φ3.5x12mm	

x2

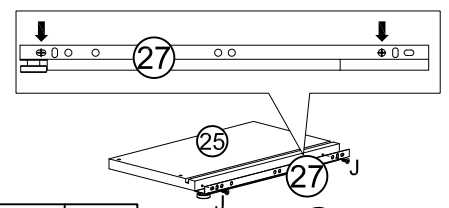
24



J	x4
Φ3.5x12mm	

x2

25



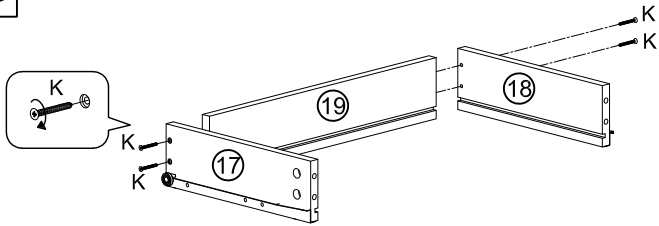
J	x4
Φ3.5x12mm	

x2

# ASSEMBLY INSTRUCTION

P 6

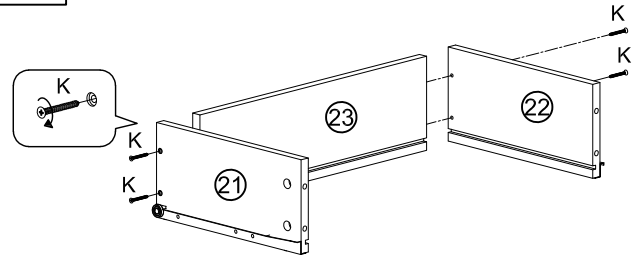
26



x2

K	x8
Φ4x35mm	

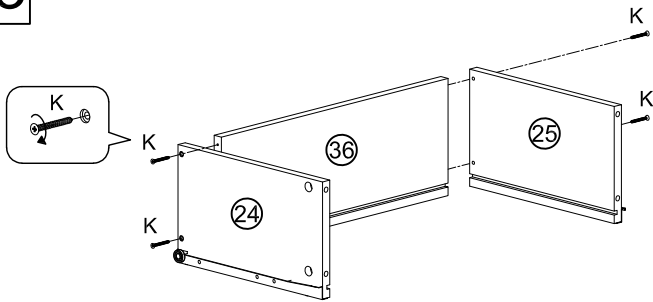
27



x2

K	x8
Φ4x35mm	

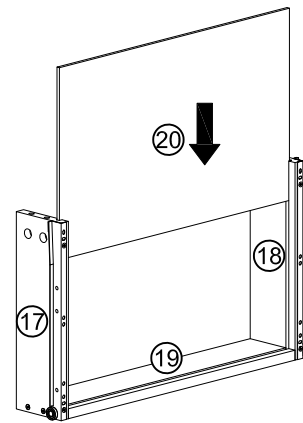
28



x2

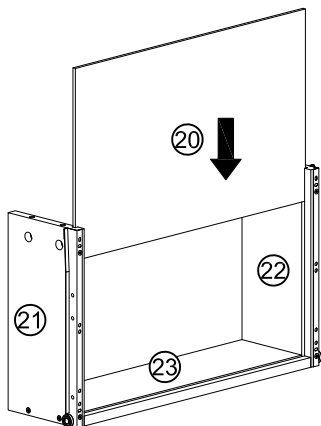
K	x8
Φ4x35mm	

29



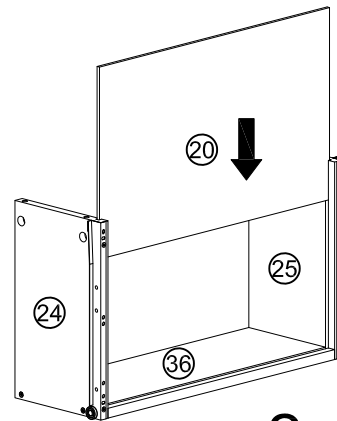
x2

30



x2

31

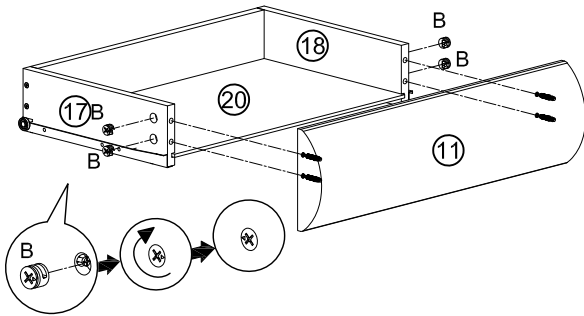


x2

# ASSEMBLY INSTRUCTION

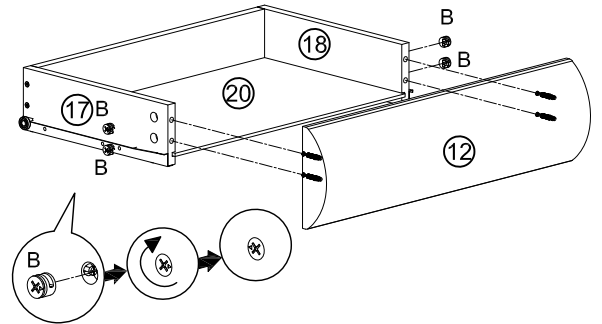
P 7

32



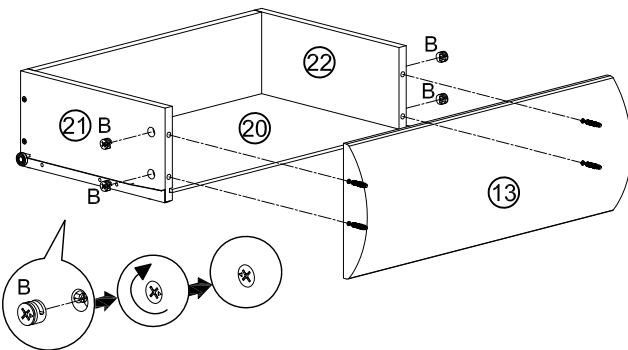
B	x4
Φ15mm	

33



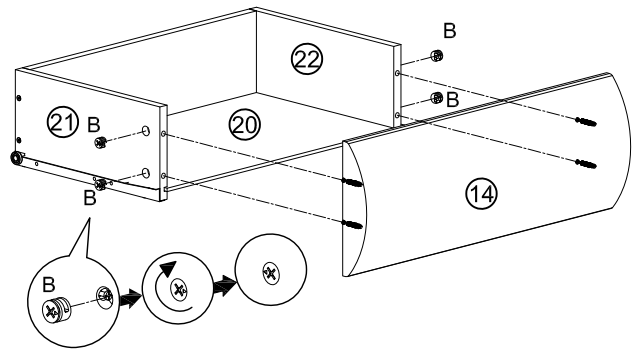
B	x4
Φ15mm	

34



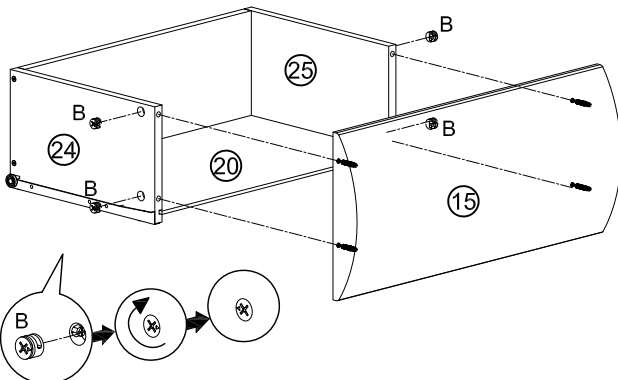
B	x4
Φ15mm	

35



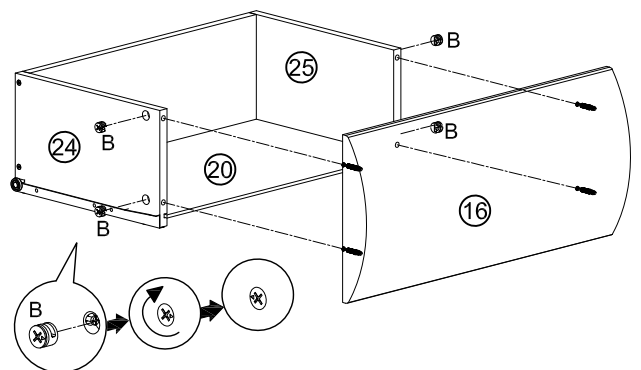
B	x4
Φ15mm	

36



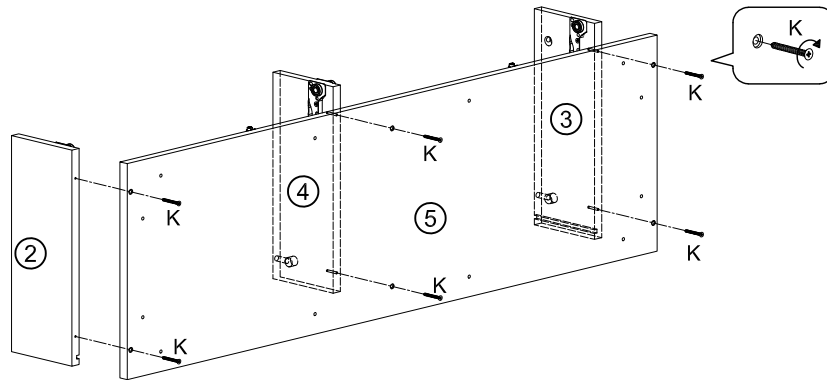
B	x4
Φ15mm	


37



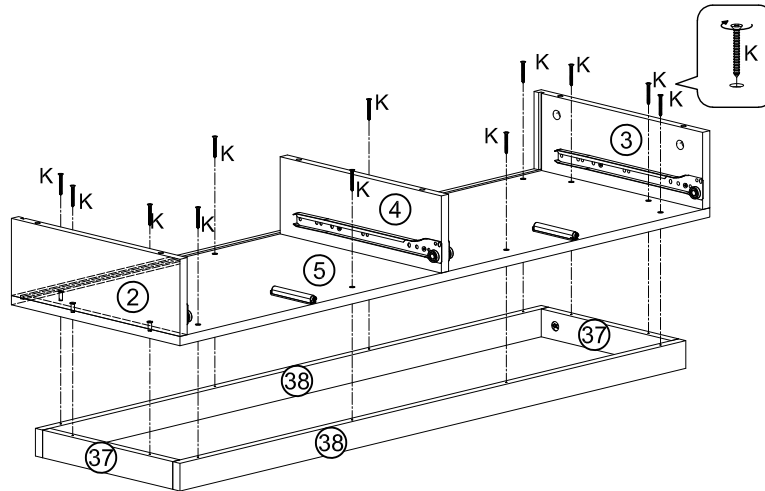
B	x4
Φ15mm	


## 38



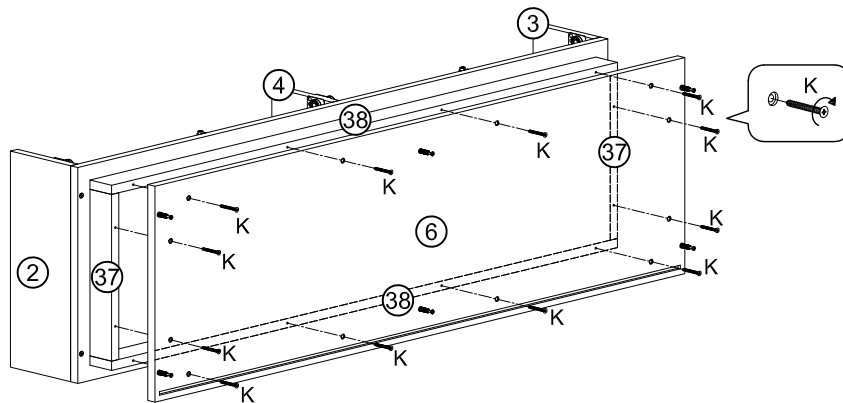
K	x6
	
Φ4x35mm	


## 39



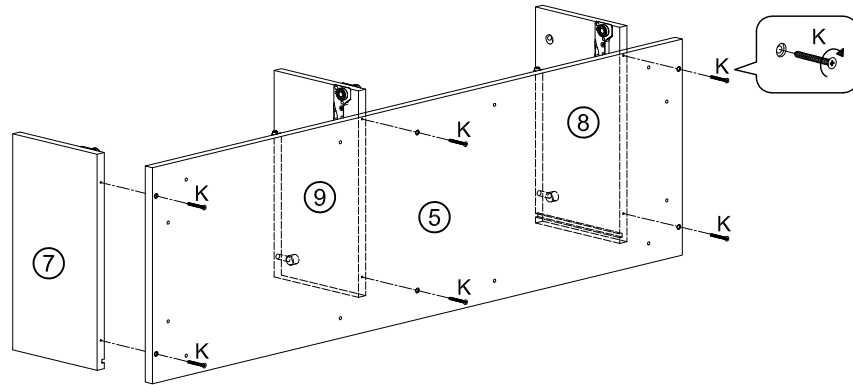
K	x12
	
Φ4x35mm	

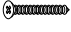
## 40



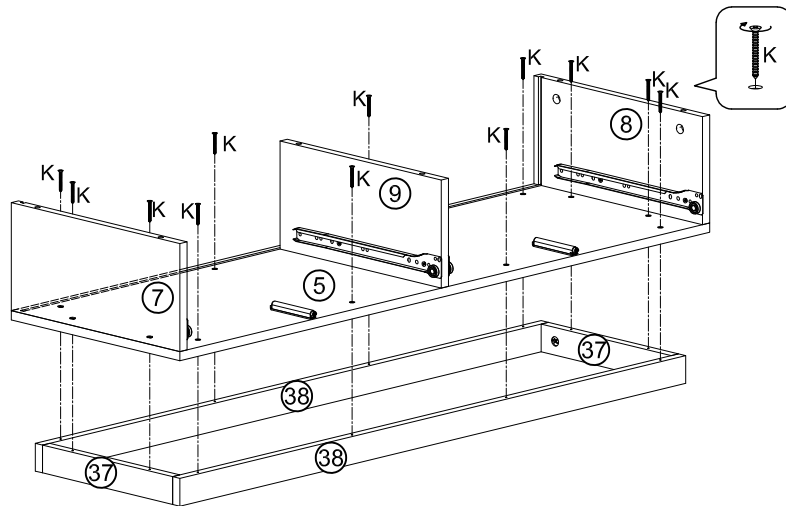
K	x12
	
Φ4x35mm	

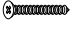
## 41



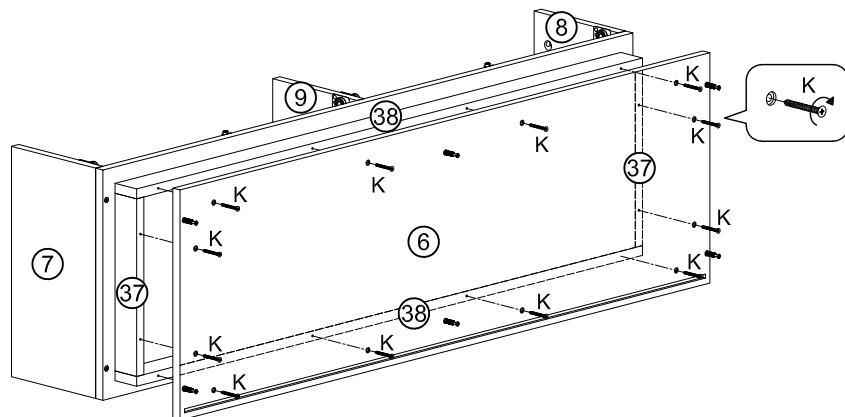
K	x 6
	
Φ4x35mm	


## 42



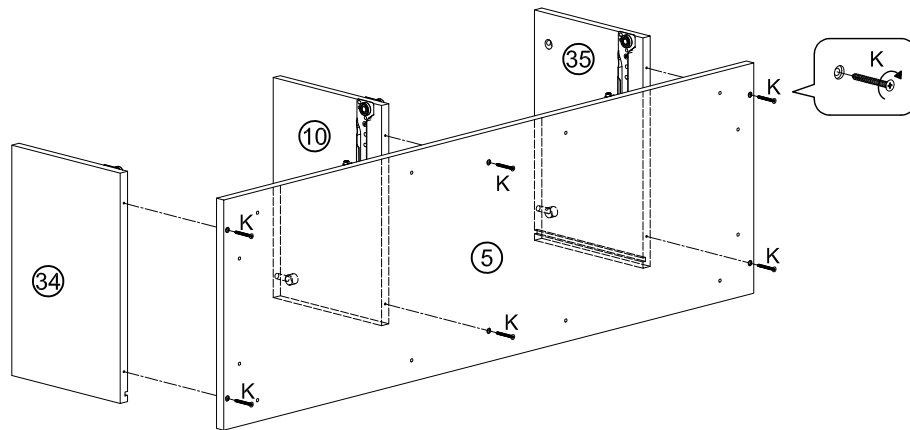
K	x 12
	
Φ4x35mm	


## 43



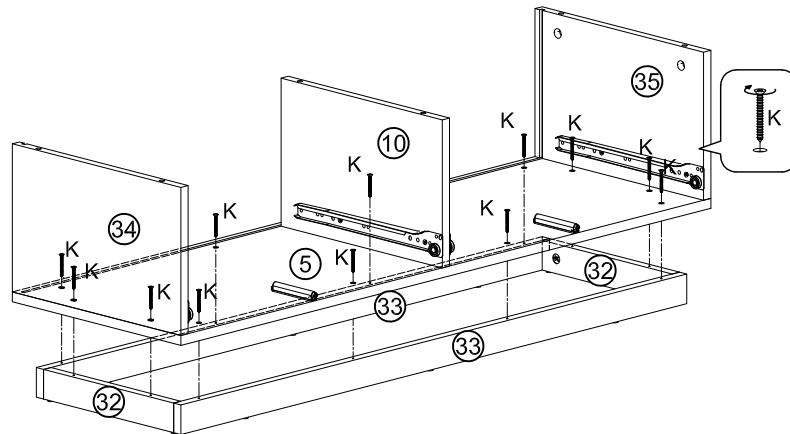
K	x 12
	
Φ4x35mm	


## 44



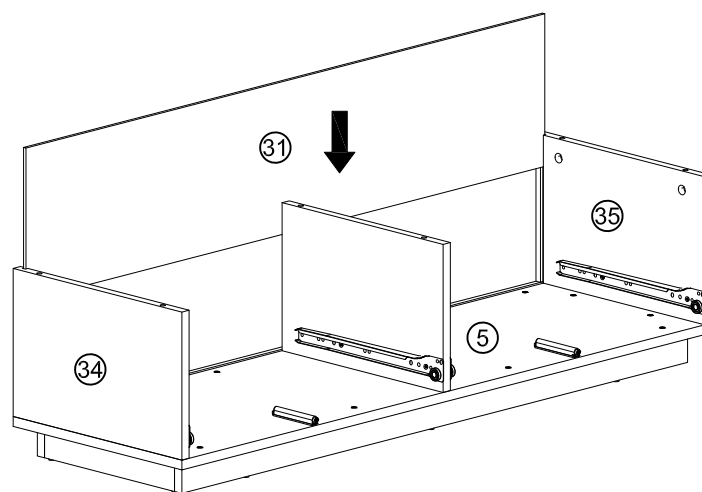
K	x 6
	
Φ4x35mm	

## 45

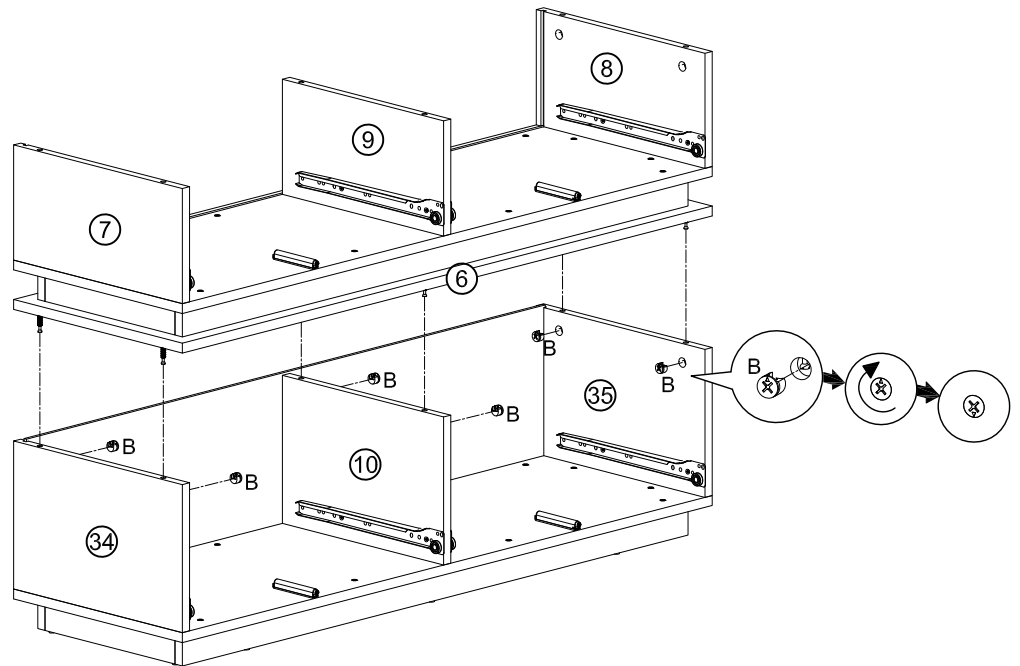


K	x 12
	
Φ4x35mm	

## 46

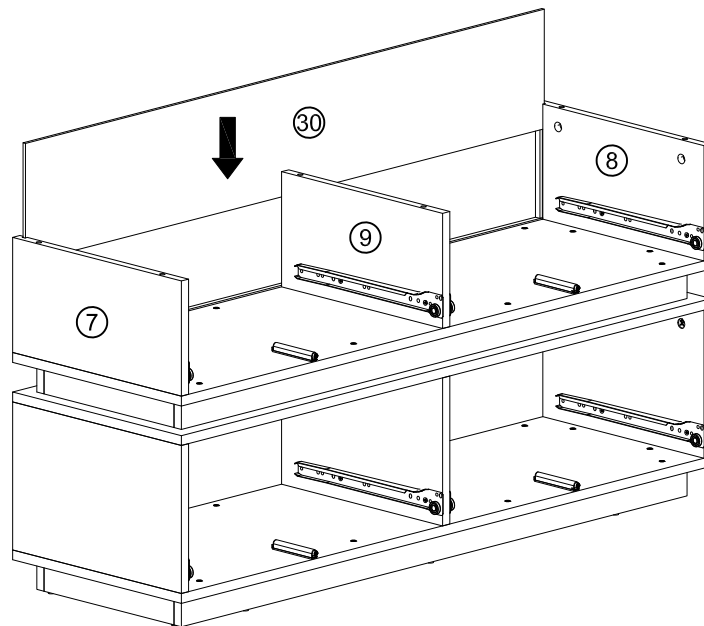


47

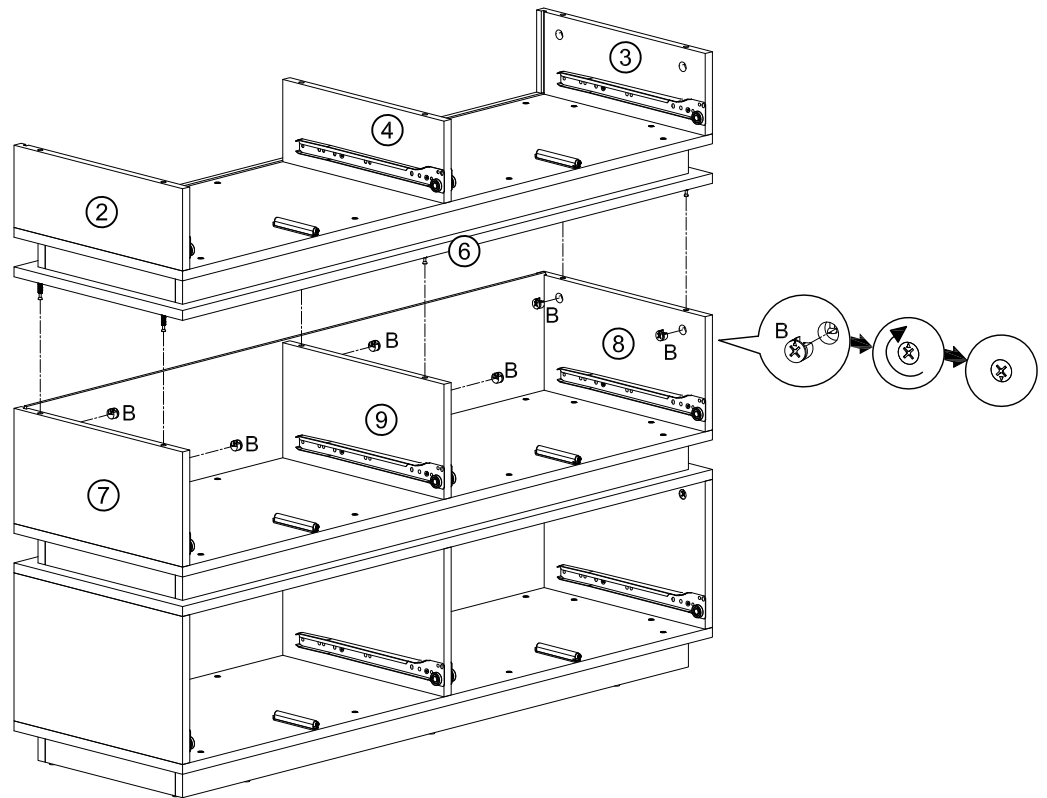



B	x6
Φ15mm	

48

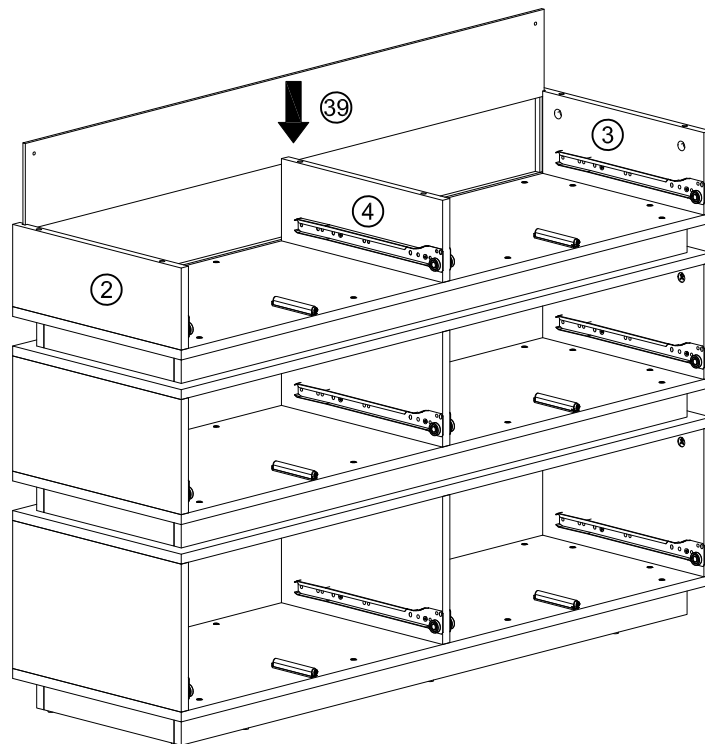


49

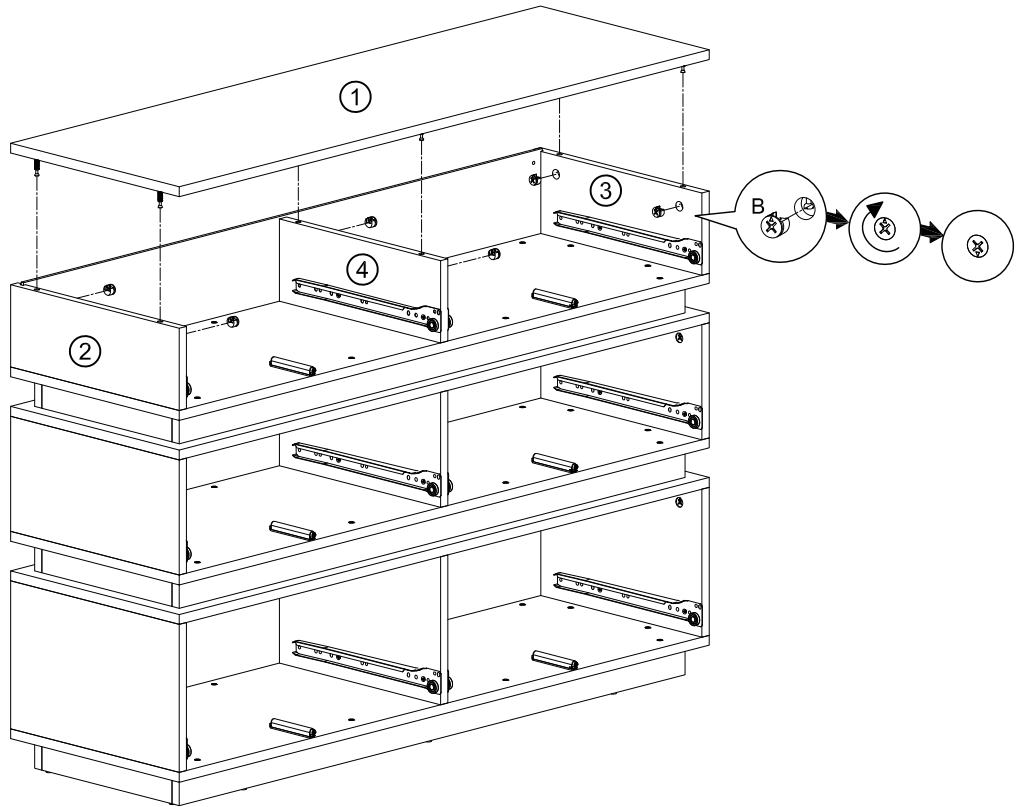



B	x6
	
Φ15mm	

50

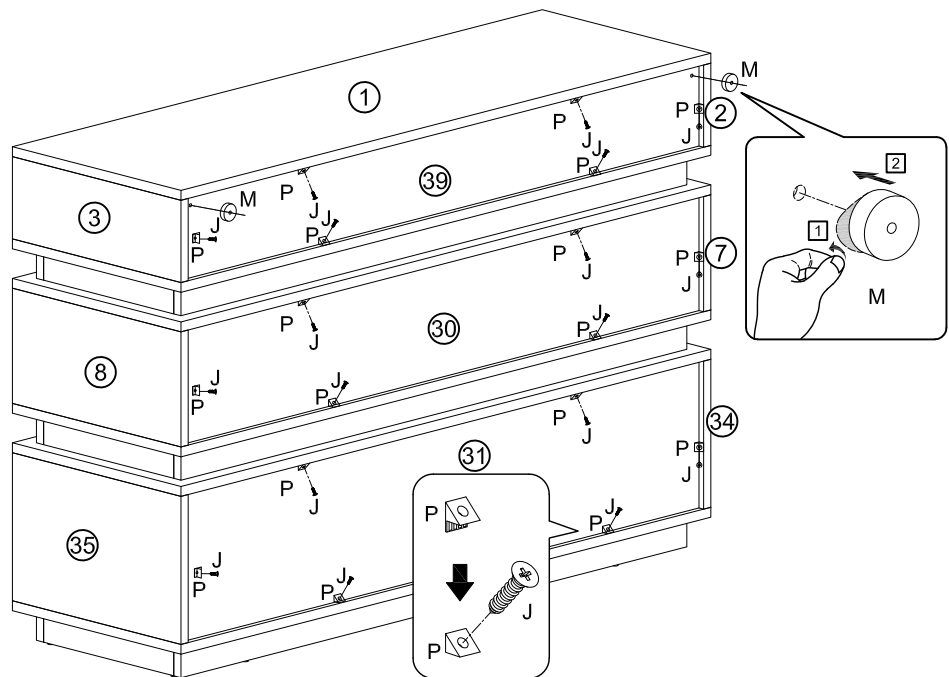



51





B	x6
	
Φ15mm	

52

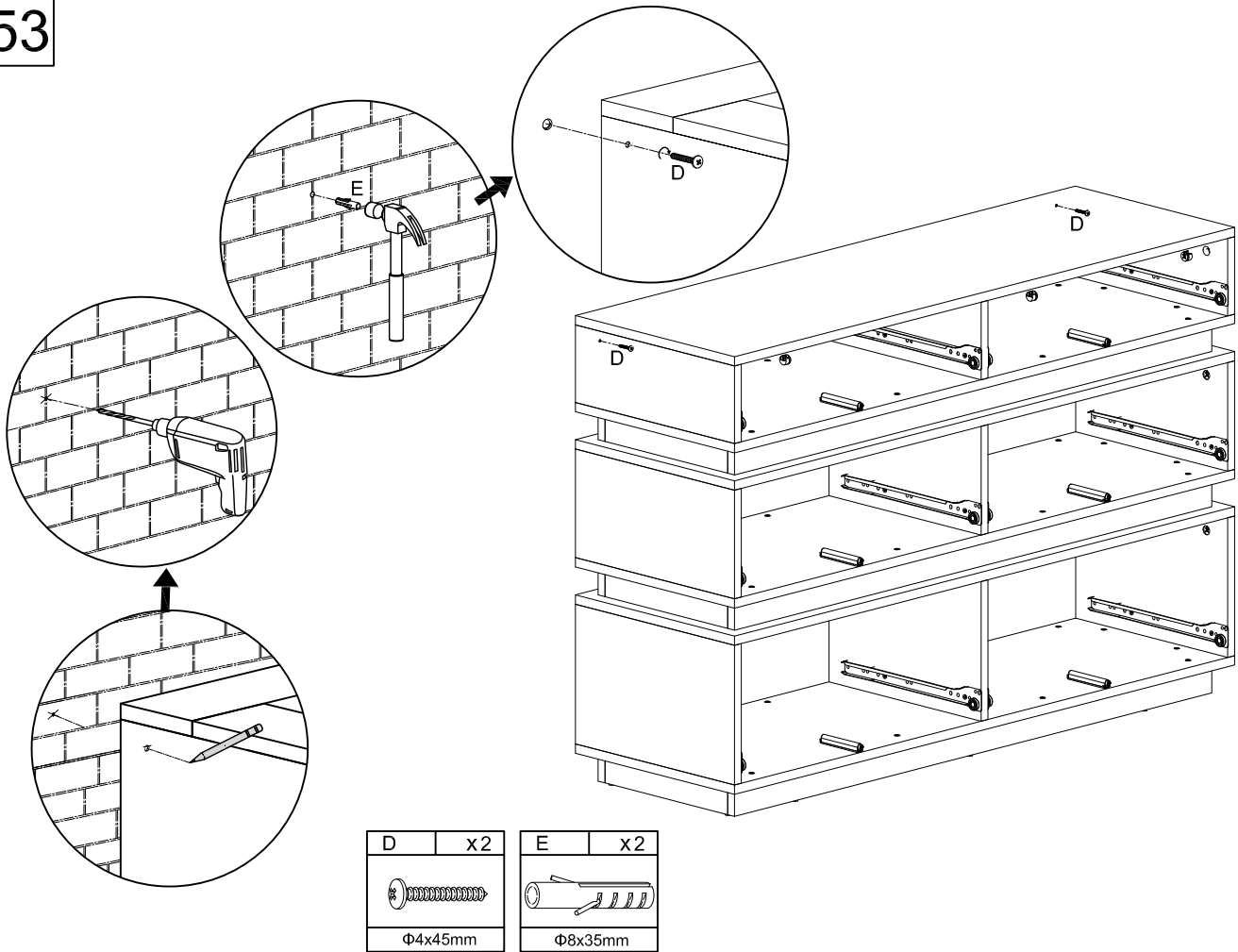


J	x18
	

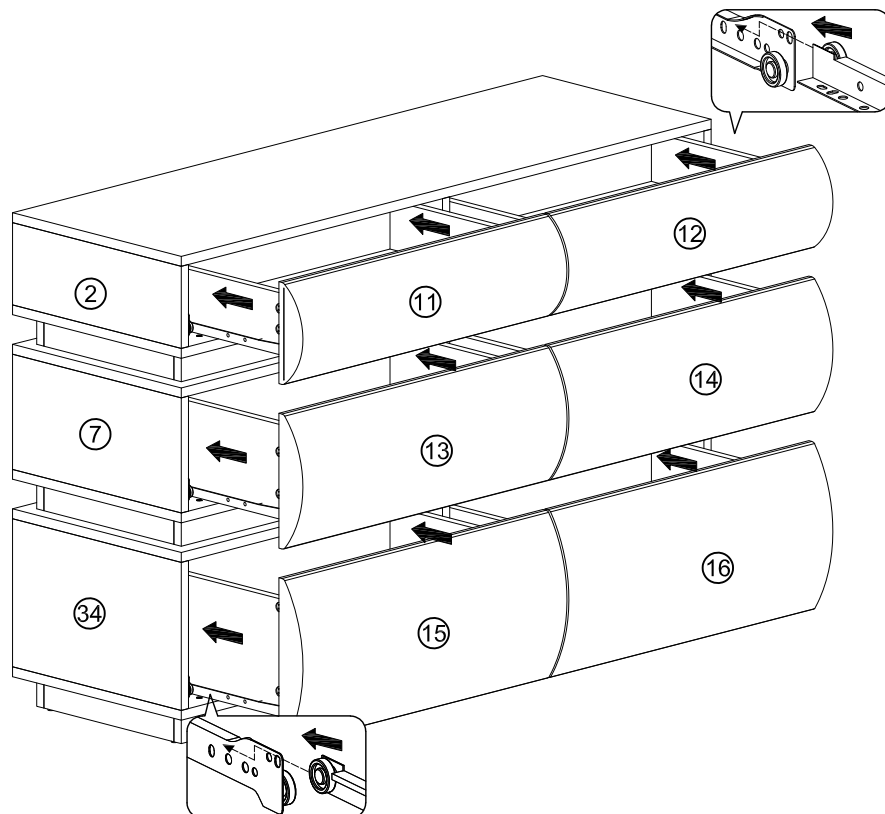
P	x18
	

M	x2
	

53

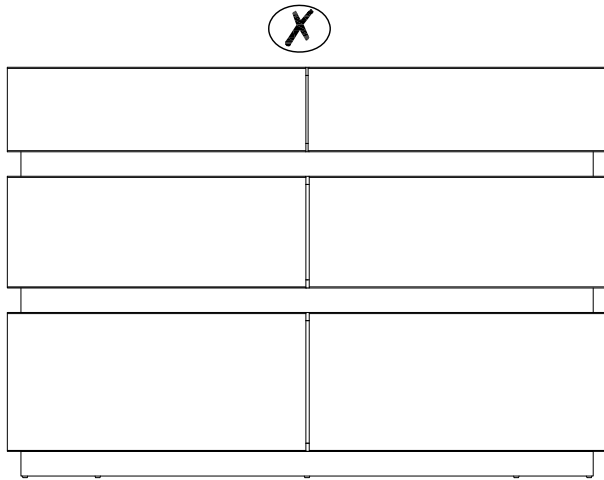


54



55

## Adjustment Method



If after the drawer is installed, it is found that the drawer is not aligned correctly, as shown in the image, you can adjust the the tightness of screw B

