

ASSEMBLY INSTRUCTIONS



Fine Furniture for every stage of life

SOFA

ASSEMBLY INSTRUCTIONS

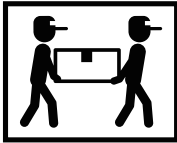
ASSEMBLY TIPS:

1. Remove hardware from box and sort by size.
2. Please check to see that all hardware and parts are present prior to start of assembly.
3. Please follow attached instructions in the same sequence as numbered to assure fast & easy assembly.



WARNING!





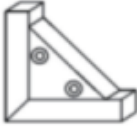

1. Don't attempt to repair or modify parts that are broken or defective. Please contact the store immediately.
2. This product is for home use only and not intended for commercial establishments.




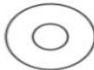

ASSEMBLY TIME

8 MINUTES

PARTS IDENTIFICATION

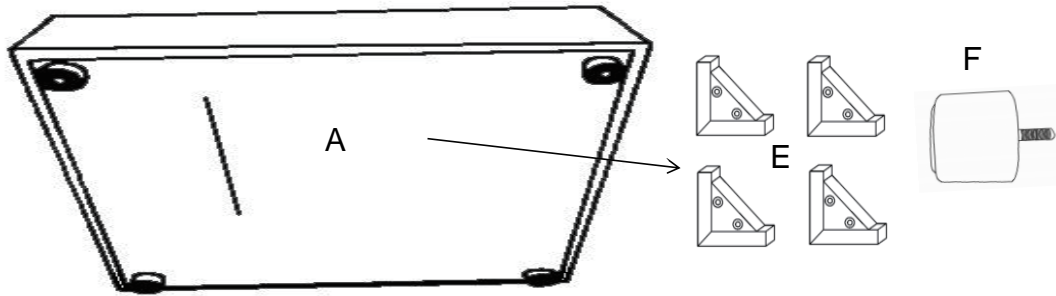
	PART NAME	FIGURE	QUANTITY
A	SOFA		1PC
B	PILLOW		2PCS
C	BACK CUSHION		2PCS
D	SEAT CUSHION		2PCS
E	LEG		4PCS
F	MIDDLE LEG		1PC

HARDWARE IDENTIFICATION

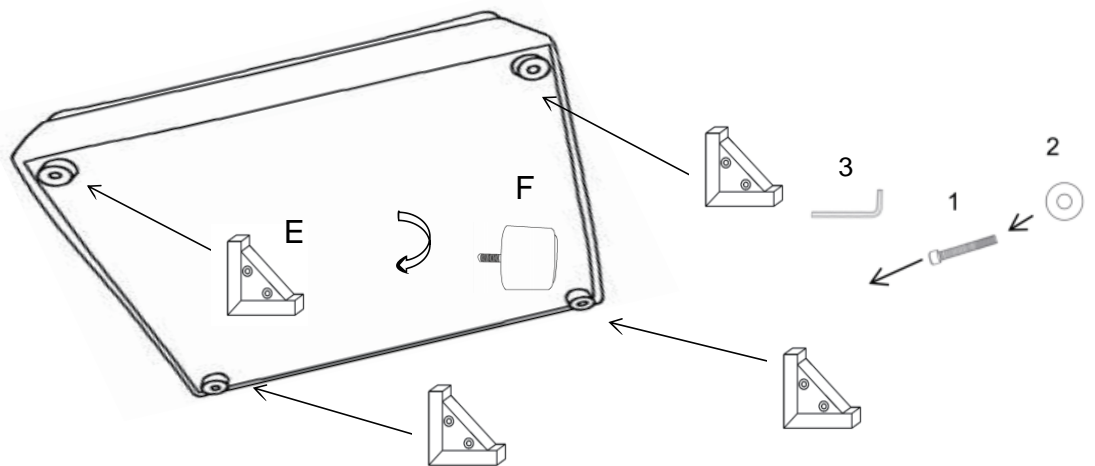
	PART NAME	FIGURE	QUANTITY
1	BOLT 8*60mm		8PCS
2	FLAT WASHER 8*18mm		8PCS
3	ALLEN WRENCH M8		1PC

ASSEMBLY INSTRUCTIONS

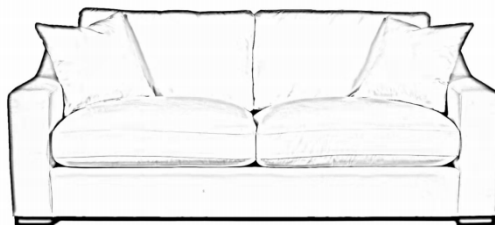
STEP 1 Turn over the item and take out the legs from zippered pouch and install the legs as pictures show

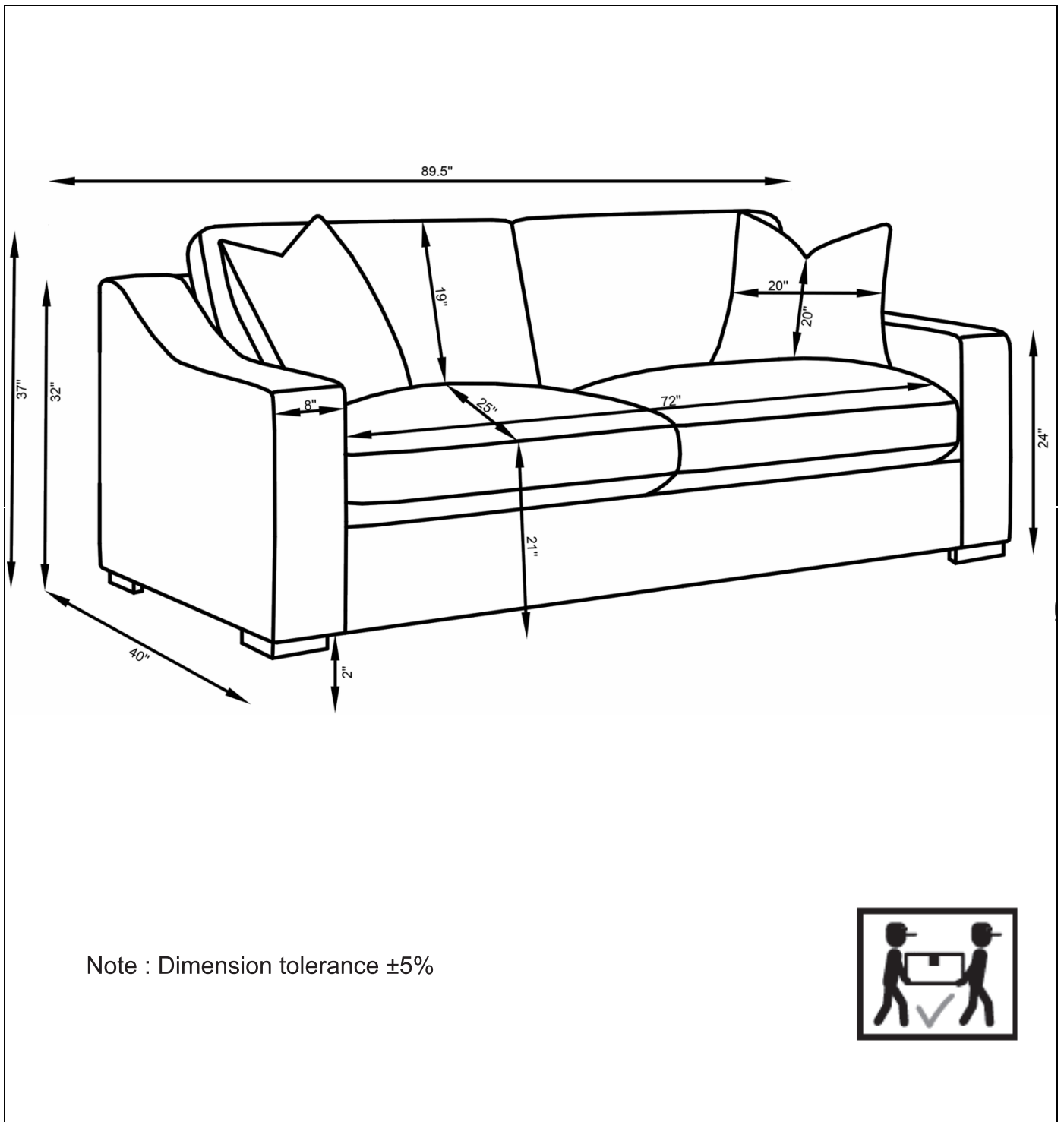


STEP 2



STEP 3 COMPLETE





ASSEMBLY INSTRUCTIONS



Fine Furniture for every stage of life

LOVESEAT

ASSEMBLY INSTRUCTIONS

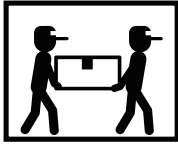
ASSEMBLY TIPS:

1. Remove hardware from box and sort by size.
2. Please check to see that all hardware and parts are present prior to start of assembly.
3. Please follow attached instructions in the same sequence as numbered to assure fast & easy assembly.



WARNING!

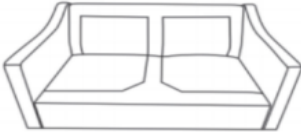
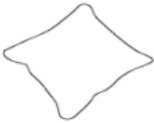


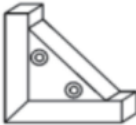
1. Don't attempt to repair or modify parts that are broken or defective. Please contact the store immediately.
2. This product is for home use only and not intended for commercial establishments.






ASSEMBLY TIME

8 MINUTES

PARTS IDENTIFICATION

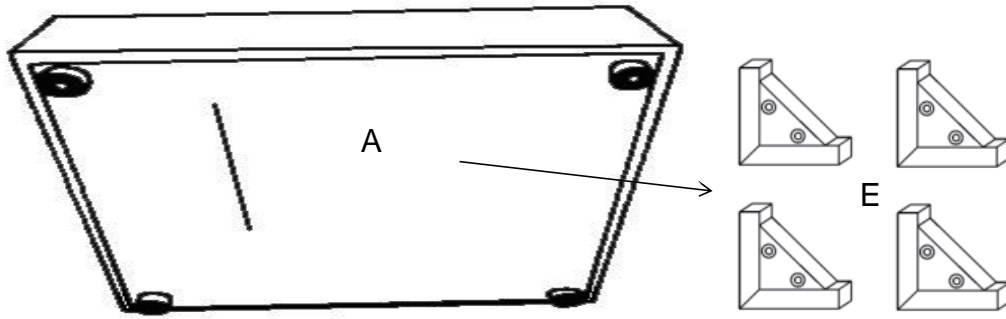
	PART NAME	FIGURE	QUANTITY
A	LOVESEAT		1PC
B	PILLOW		2PCS
C	BACK CUSHION		2PCS
D	SEAT CUSHION		2PCS
E	LEG		4PCS

HARDWARE IDENTIFICATION

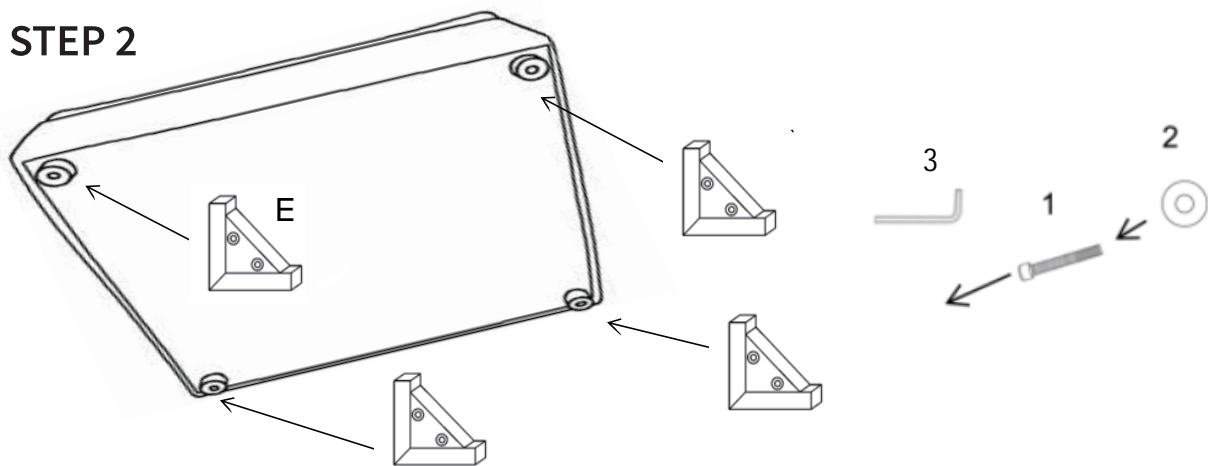
	PART NAME	FIGURE	QUANTITY
1	BOLT 8*60mm		8PCS
2	FLAT WASHER 8*18mm		8PCS
3	ALLEN WRENCH M8		1PC

ASSEMBLY INSTRUCTIONS

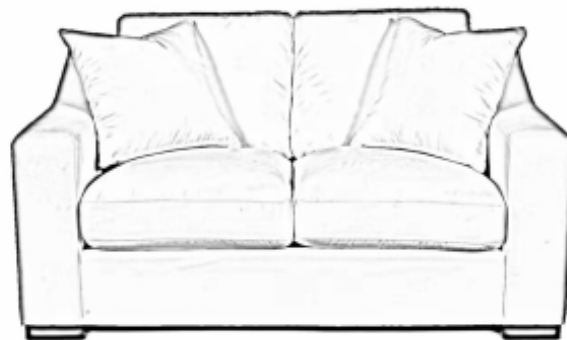
STEP 1 Turn over the item and take out the legs from zippered pouch and install the legs as pictures show



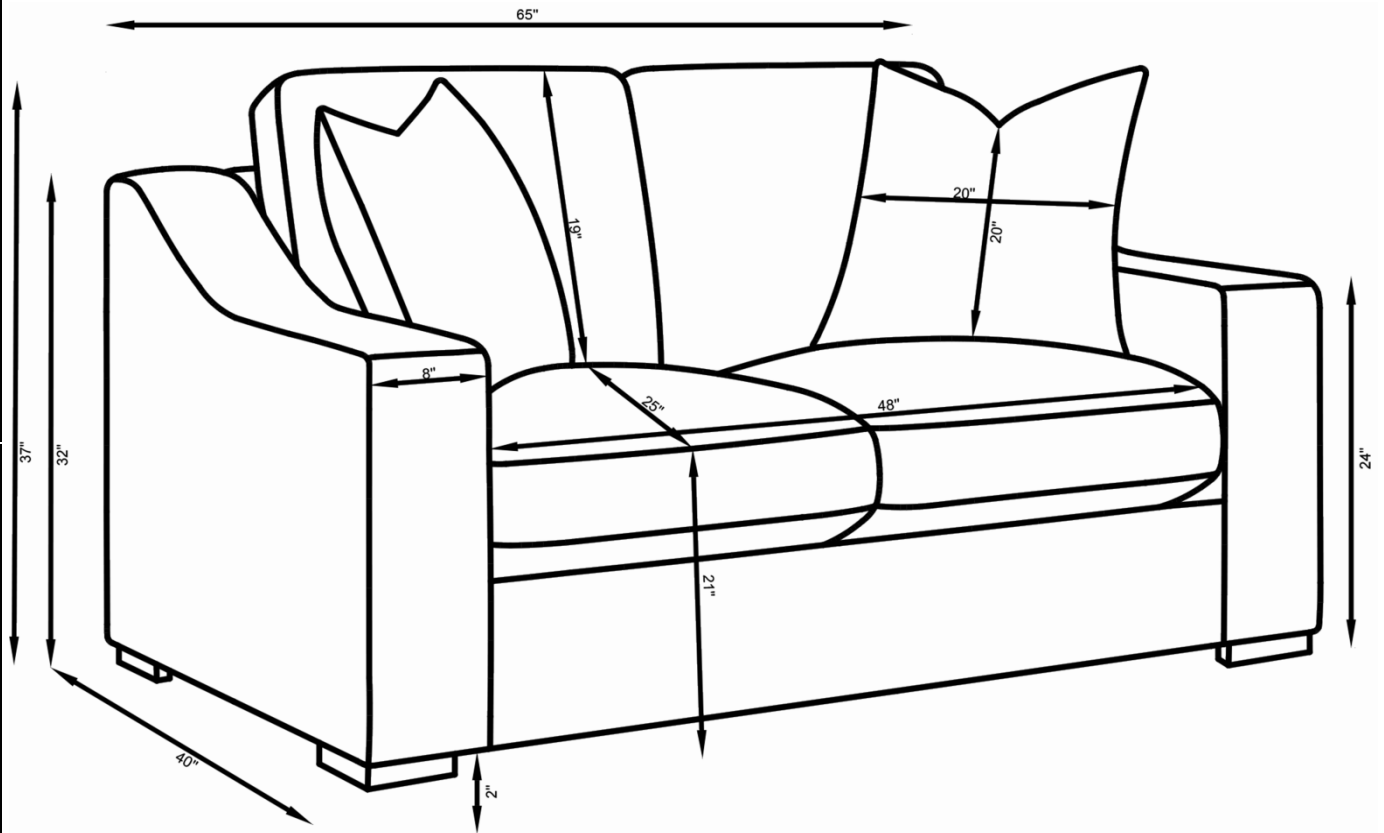
STEP 2



STEP 3 COMPLETE



ASSEMBLY INSTRUCTIONS



Note : Dimension tolerance $\pm 5\%$

