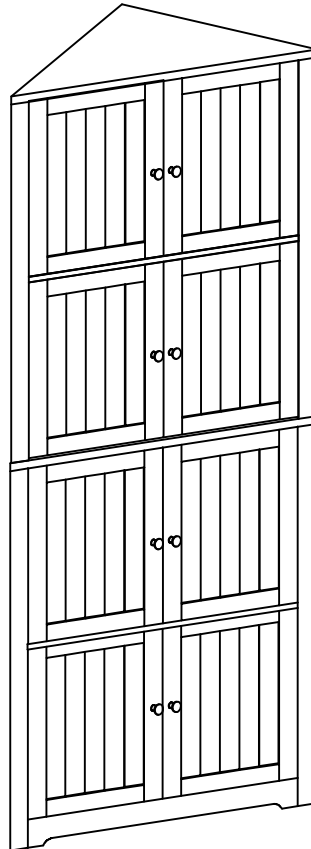


# ASSEMBLY INSTRUCTIONS

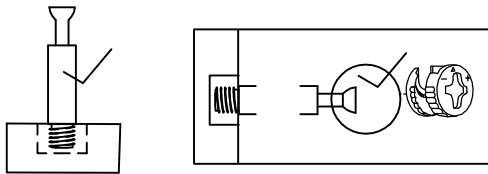
## Corner 8 Door Cabinet



### NOTE TO CUSTOMERS:

- For ease and speed of assembly we recommend that before you commence each step of the assembly that you identify all the parts required to complete that step.
- We recommend that where possible you allow sufficient space to assemble the item as close as possible to the place where it will be once assembled.
- For the protection of your furniture we recommend that the product is placed on protected surfaces during assembly to prevent any damage.
- During assembly do not over tighten, as this may damage the product.
- Please ensure you retain all the product packaging until the item completely assembled.
- Please periodically check all fittings and re-tighten as necessary.
- Please never allow any liquids to remain on your furniture as absorption can cause the wood to warp or finish to de-laminate.
- It is recommended that this item should be assembled by two adults.

## To use a cam lock: (Please read below instructions before assembling)



1. Insert cam screw into hole as shown in diagram A .

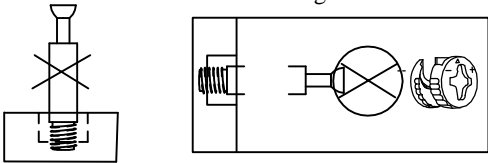


Diagram B

Make sure not to insert the cam screw:  
Too deep as shown in figure B as this will cause the cam screw to be misaligned and unable to interlock properly.

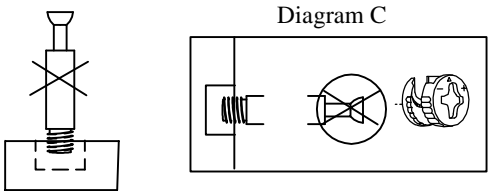
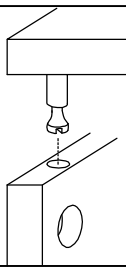
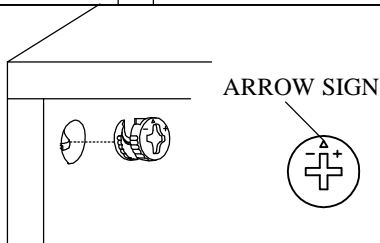


Diagram C

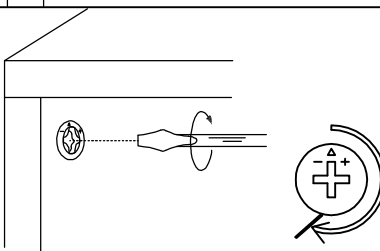
Also avoid inserting the cam screw too close to the surface of the hole as shown in figure C, as this will cause the cam lock to be too loose, and not interlock properly.



2. Connect the panels together.



3. When inserting the cam lock make sure the arrow of the cam lock faces the cam screw.



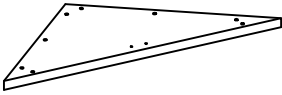
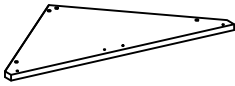
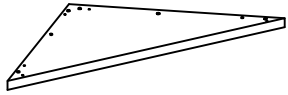


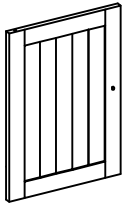
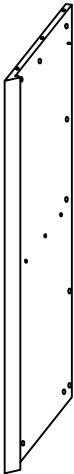
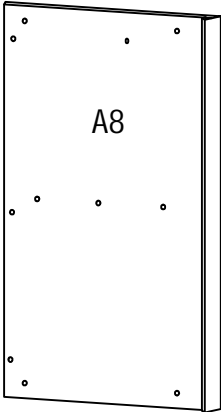

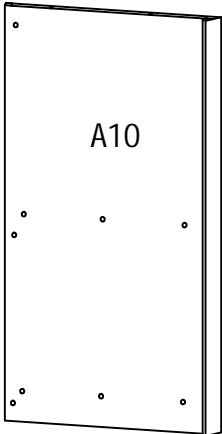
4. To tighten the cam lock turn the cam lock clockwise 90-180 degree or until the arrow is facing opposite the place cam lock was inserted.

**NOTE: DO NOT USE AN AUTOMATIC SCREWDRIVER TO TIGHTEN CAM LOCKS.**

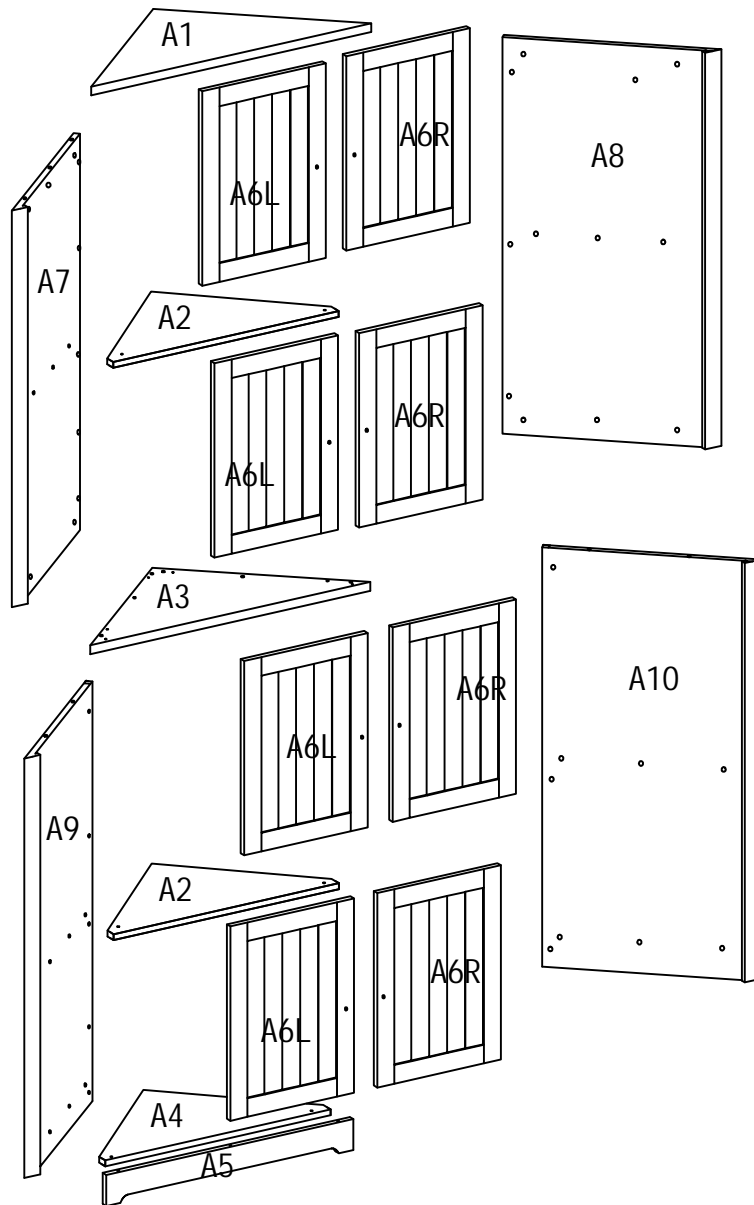
### Note:

- Read these instructions carefully before assembling.
- Tools required : Phillips screwdriver, flat screwdriver.
- Find a clean, smooth area on which to work , such as a carpet, in order to avoid scratching the wood surfaces.
- Wait to dispose of the packing material until assembly is complete and all parts and hardware are accounted for.
- Two or more people might be required for assembly.

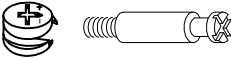
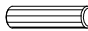


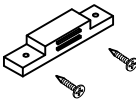


## Part list

<p>A1 Qty: 1</p>  <p>Top Panel</p>	<p>A2 Qty: 2</p>  <p>Fixed Shelf</p>	<p>A3 Qty: 1</p>  <p>Divider</p>
<p>A4 Qty: 1</p>  <p>Bottom Panel</p>	<p>A5 Qty: 1</p>  <p>Apron</p>	<p>A6(L&amp;R) Qty: 8</p>  <p>Door</p>
<p>A7 Qty: 1</p>  <p>Upper Left Side Panel</p>	<p>A8 Qty: 1</p>  <p>Upper Right Side Panel</p>	<p>A9 Qty: 1</p>  <p>Lower Left Side Panel</p>
<p>A10 Qty: 1</p>  <p>Lower Right Side Panel</p>		

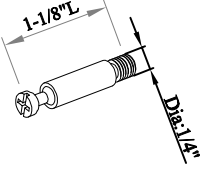
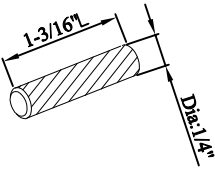
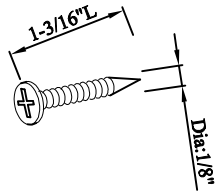
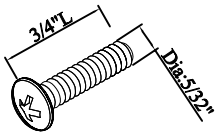
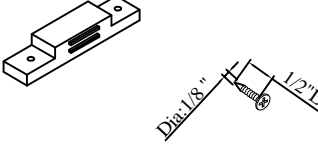

# Part list



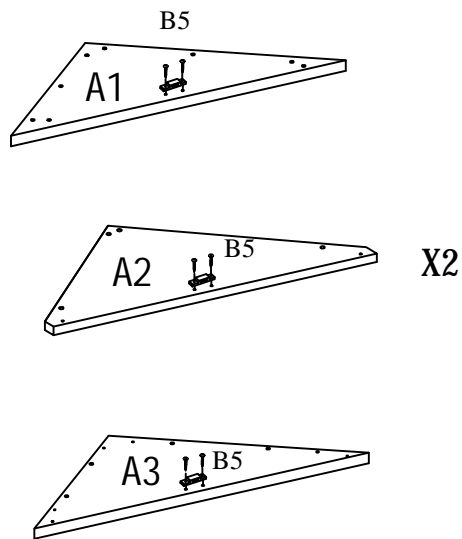
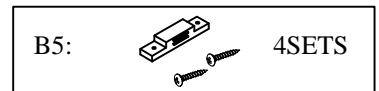
# Hardware list

B1. Cam-lock Qty: 28 	B2. Wood Dowel Qty: 19 	B3. Screw Qty: 4 
B4. Knob with bolt Qty: 8 	B5. Magnet with screw Qty: 4 	B6. Shelf support Qty: 16 
B7. Wall Anchor Qty: 2 		

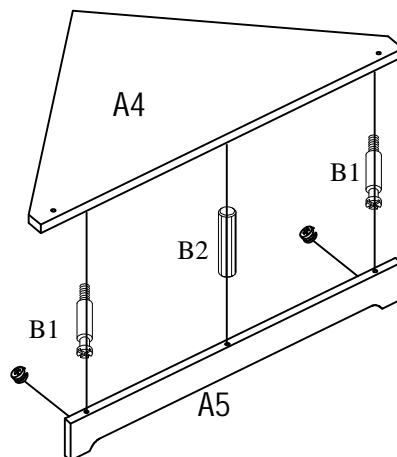
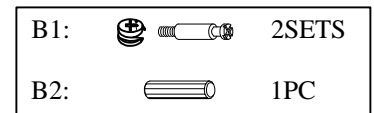
## APPENDIX: Dimension of Hardware in this AI.

B1  <p style="text-align: center;">Cam-Bolt                      Cam-Lock</p>	B2  <p style="text-align: center;">Wood Dowel</p>	B3  <p style="text-align: center;">Screw</p>
B4  <p style="text-align: center;">Knob with bolt</p>	B5  <p style="text-align: center;">Magnet with screw</p>	B7  <p style="text-align: center;">Wall anchor with screw</p>



# Assembly instructions

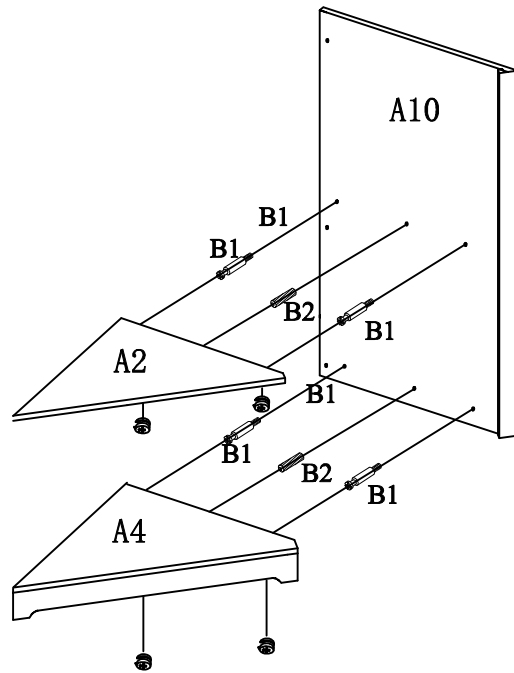


Step1: Attach Magnets B5 to the bottom of the top panel A1, fixed shelves A2 and Divider A3 using included screws as shown above.(Holes are pre-drilled.)





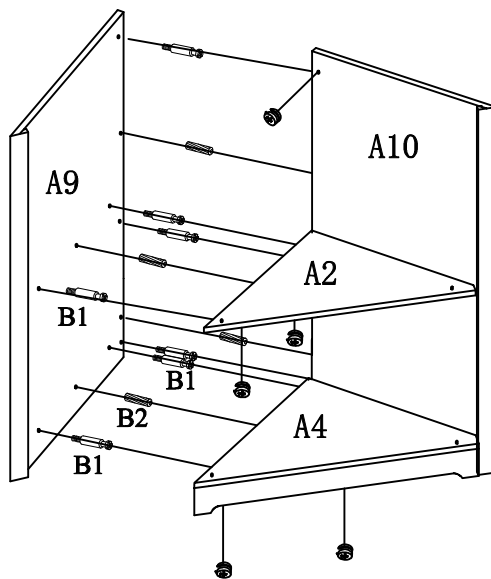
Step 2: Assemble Apron A5 to Bottom Panel A4 using Cam-locks B1 and Wood Dowel B2 as shown above.

B1:		4SETS
B2:		2PCS

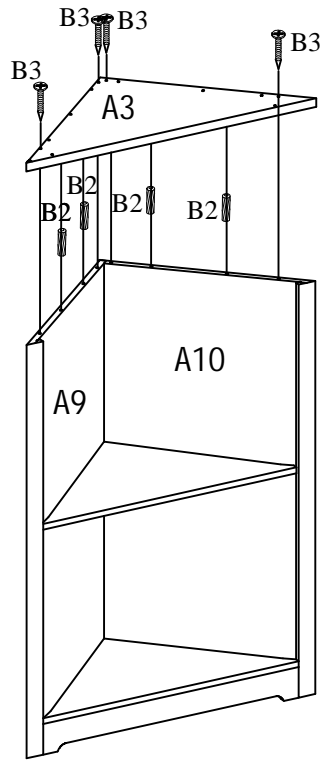


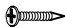

Step 3: Assemble Lower Right Side Panel A10 to Fixed Shelf A2 and Bottom Panel A4 using Cam-locks B1 and Wood Dowels B2 as shown above.

B1:		7SETS
B2:		4PCS

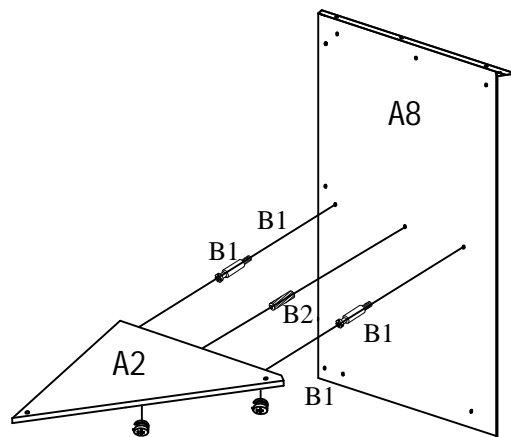




Step 4: Assemble Lower Left Side Panel A9 to Fixed Shelf A2 and Bottom Panel A4 ,Lower Right Side Panel A10 using Cam-locks B1 and Wood Dowels B2 as shown above.



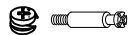

B3:		4PCS
B2:		4PCS

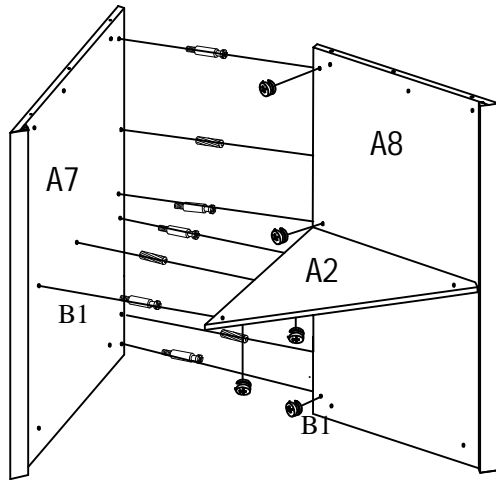
Step 5: Assemble Divider A3 to Lower Side Panel A9 & A10 using Screws B3 and Wood Dowels B2 as shown above.



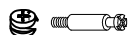
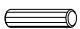
B1:		2SETS
B2:		1PC

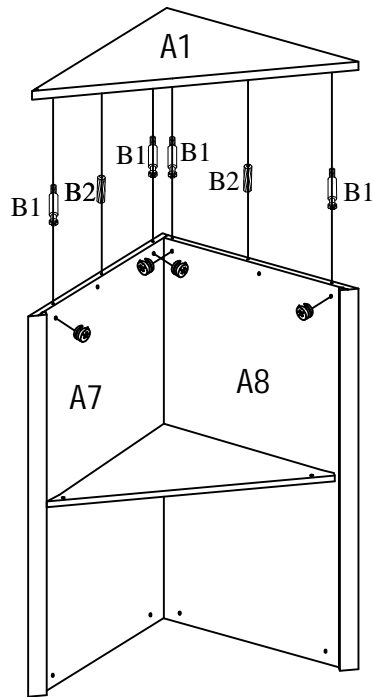
Step 6: Assemble Fixed Shelf A2 to Upper Right Side Panel A8 using Cam-locks B1 and Wood Dowel B2 as shown above.

B1:		5SETS
B2:		3PCS





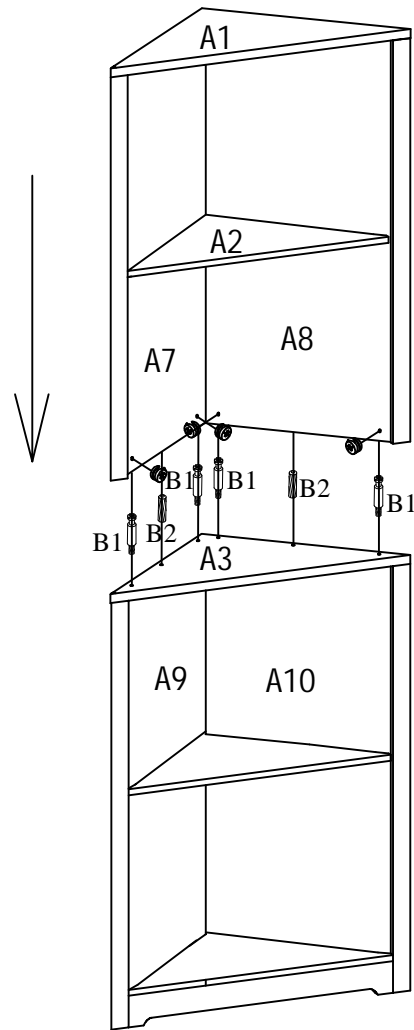
Step 7: Assemble Upper Left Side Panel A7 to Fixed Shelf A2 and Upper Right Side Panel A8 using Cam-locks B1 and Wood Dowels B2 as shown above.

B1:		4SETS
B2:		2PCS

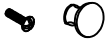



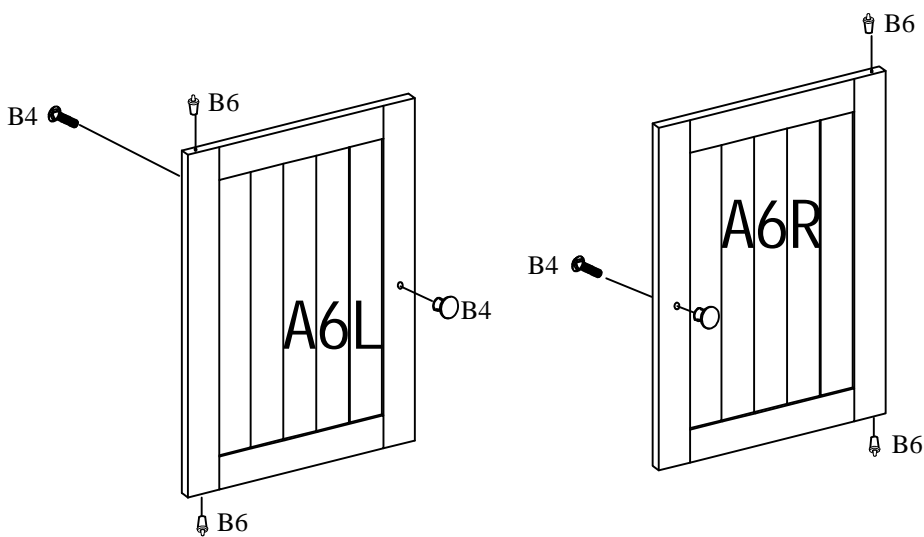
Step 8: Assemble Top Panel A1 to Upper Side Panel A7 & A8 using Cam-locks B1 Wood Dowels B2 as shown above.

B1:		4SETS
B2:		2PCS

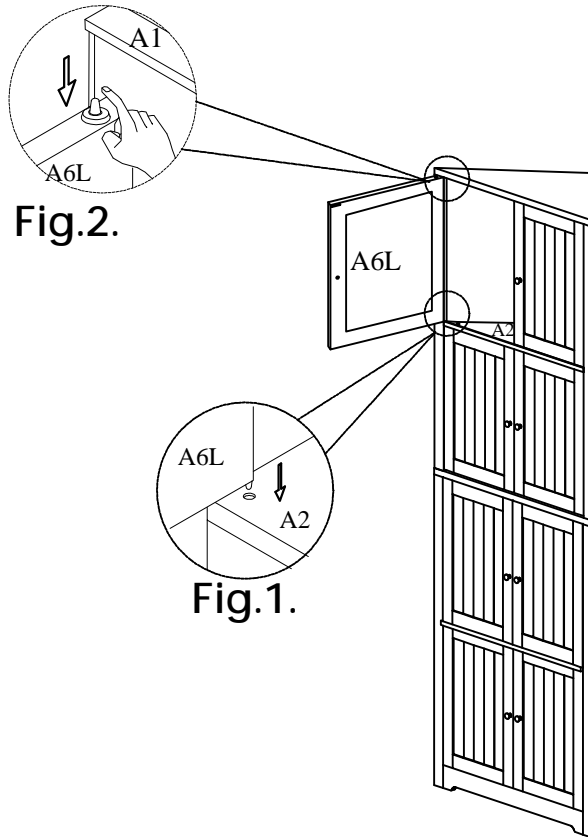


Step 9: Assemble Upper Side Panel A7 & A8 to Divider A3 using Cam-locks B1 and Wood Dowels B2 as shown above.



B4:		8SETS
B6:		16PCS

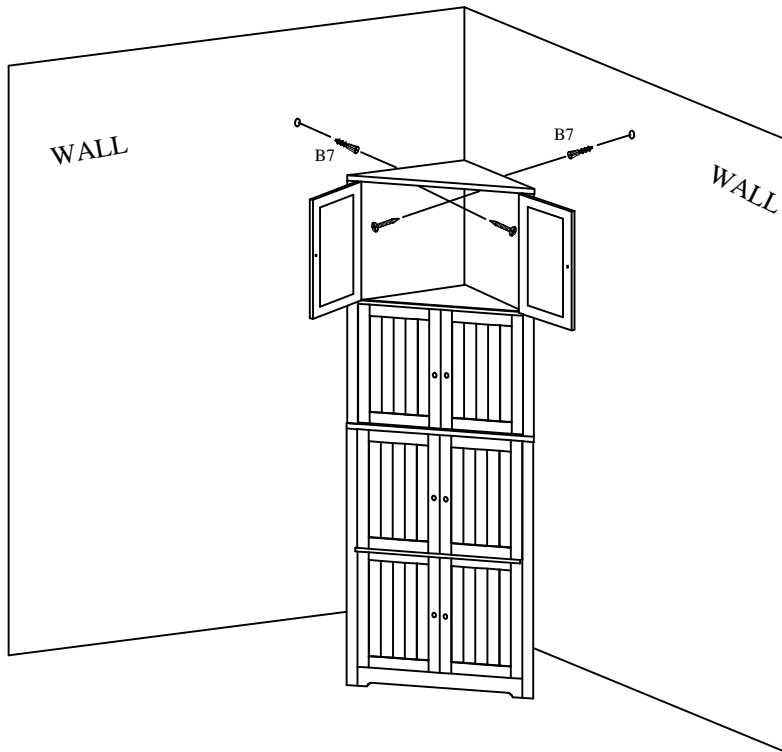


Step 10: Attach Door Knob B4 to Doors A6 L&R using included bolts as shown above.  
 Step 11: Insert Door Pin B6 into the hole on both end of Doors A6 L& R as shown above.



Step 12: Connect Door A6L to the fixed shelf A2 ,refer to Fig.1. Press the Upper Pin on Door A6L see Fig.2. and insert Door A6L carefully into the cabinet with the upper pin popping up into the holes of top panel A1.  
 Step 13: Repeat step 12 to assemble the rest of doors.

B7:   2sets



Step 14 : For your safety, please attached this unit to the wall by Wall Anchor with screws B7 as shown above.