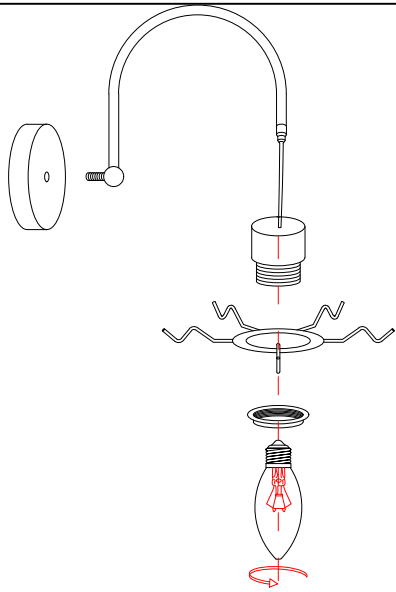
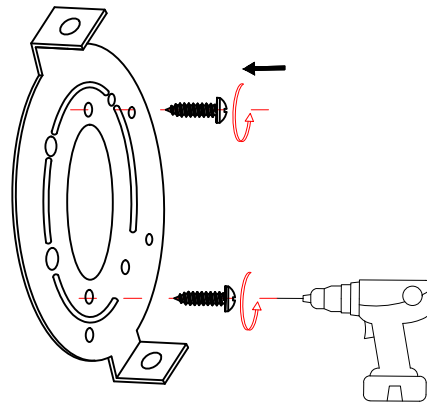


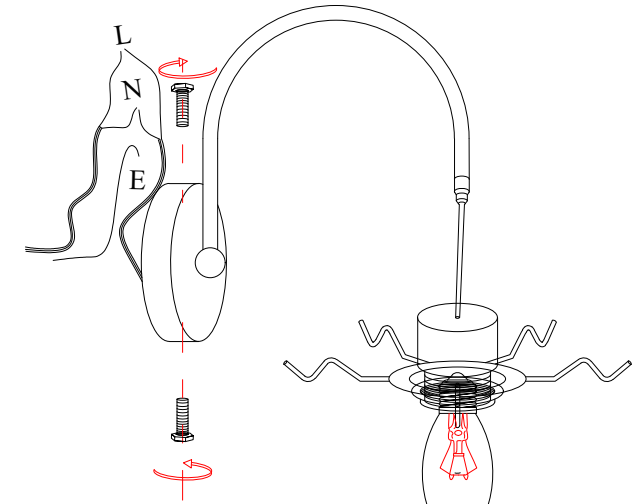
Installation Instructions



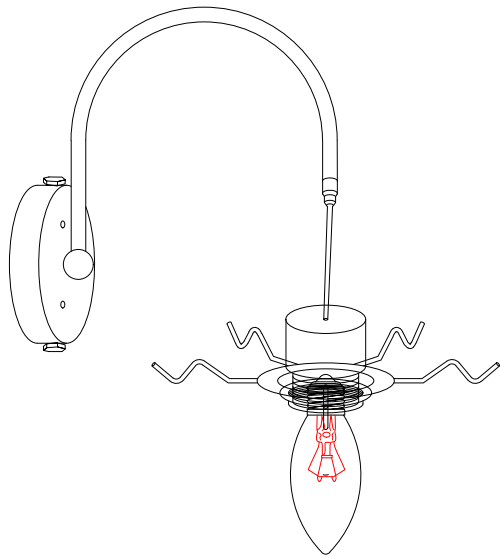
Step 1: according to the diagram in order to install the light source, hardware and light bulbs



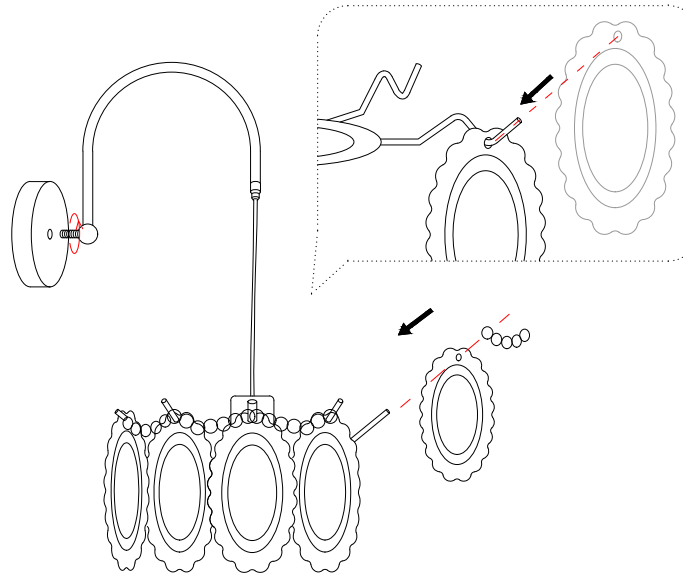
Step 2: Secure the pegboard to a solid foundation surface with screws



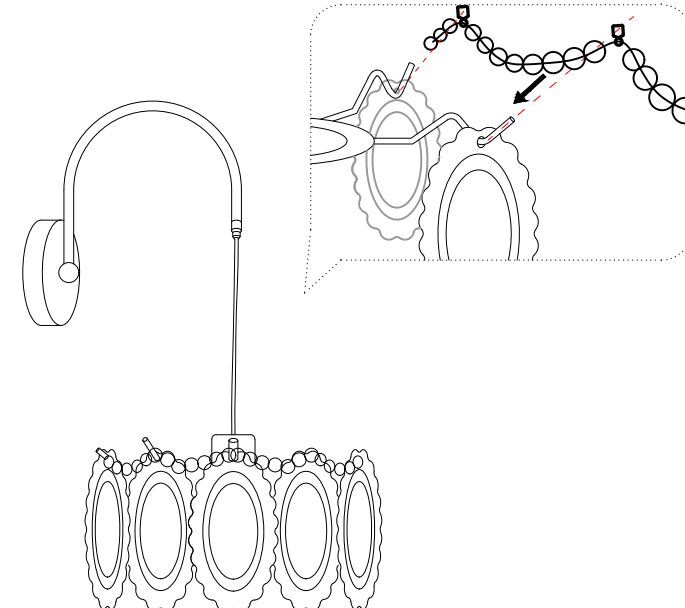
Step 3: Connect the wires, try to light up the light source and use the screws to fix the ceiling plate. Fix the ceiling plate with screws on the wall plate



Step 4: Fix the lamps and adjust the angle of the lamps and light fixtures



Step 5: Attach the glass fittings and decorative beads in sequence



Step 6: Installation completed