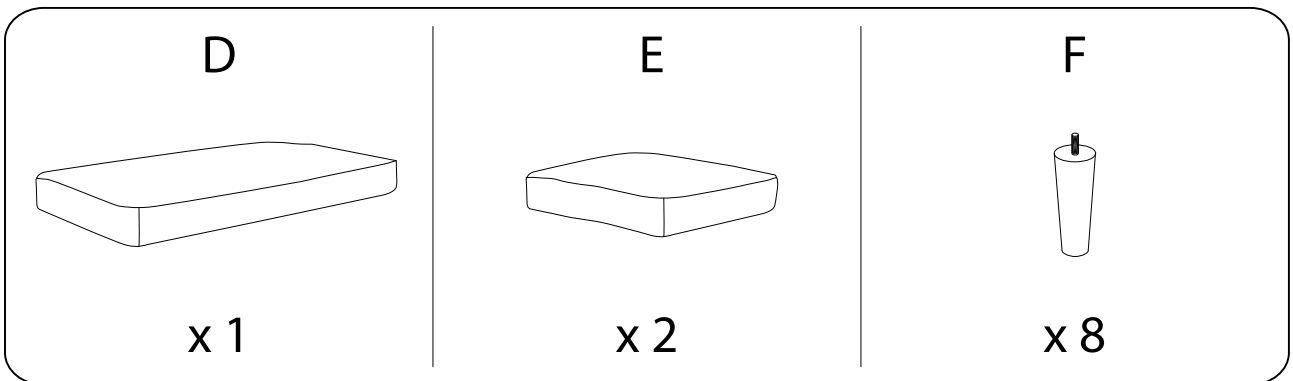
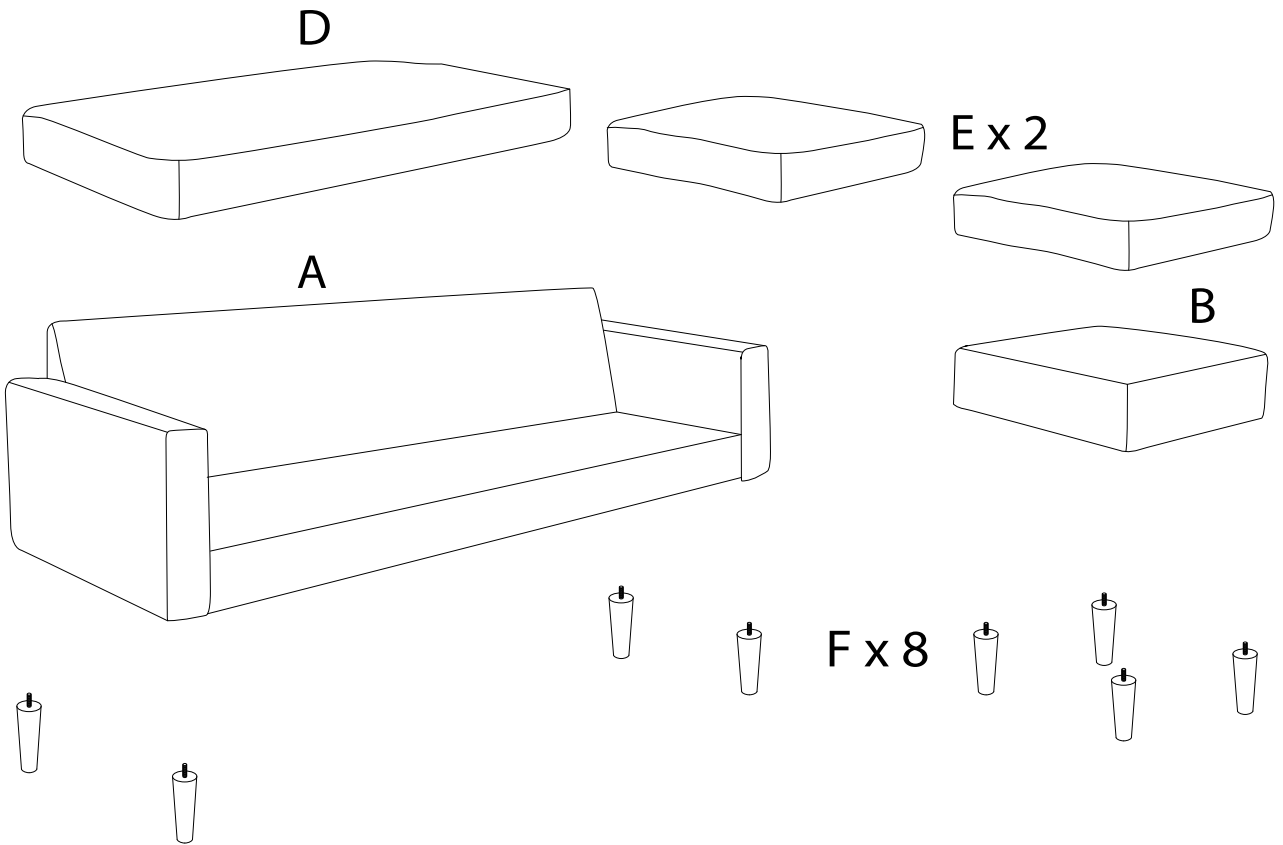
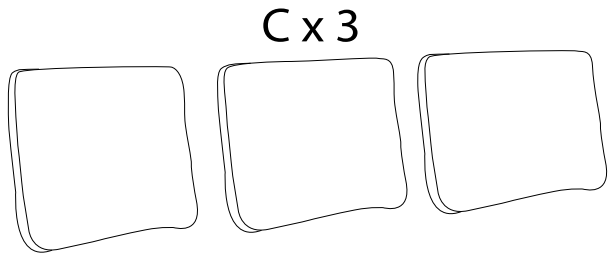
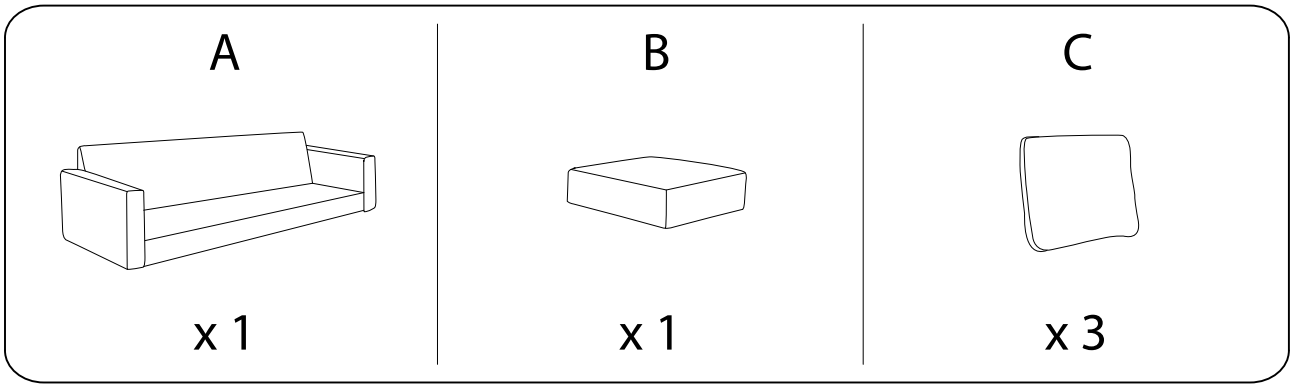
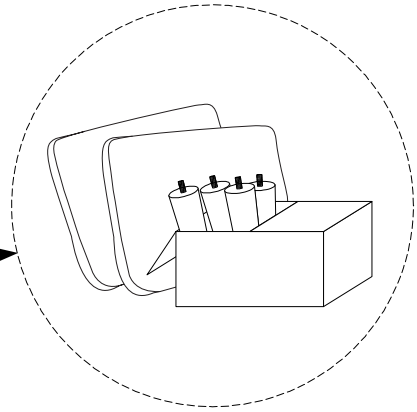
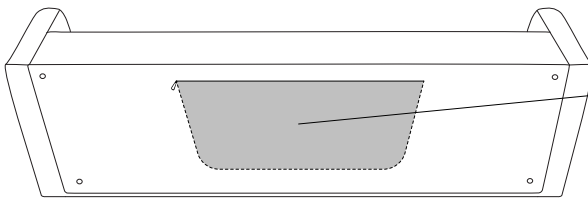
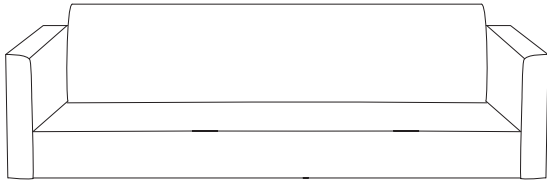

		<b>20'</b>
		<b>1</b>



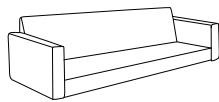
!

A



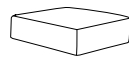
1

A



x 1

B



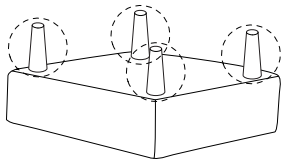
x 1

F

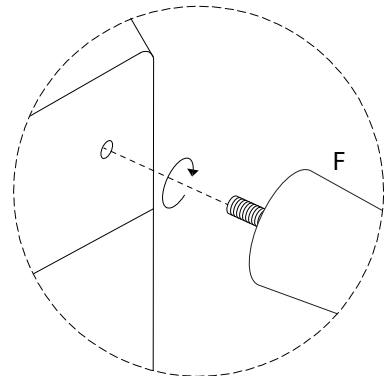
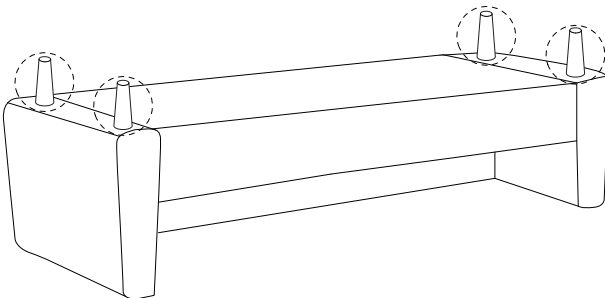


x 8

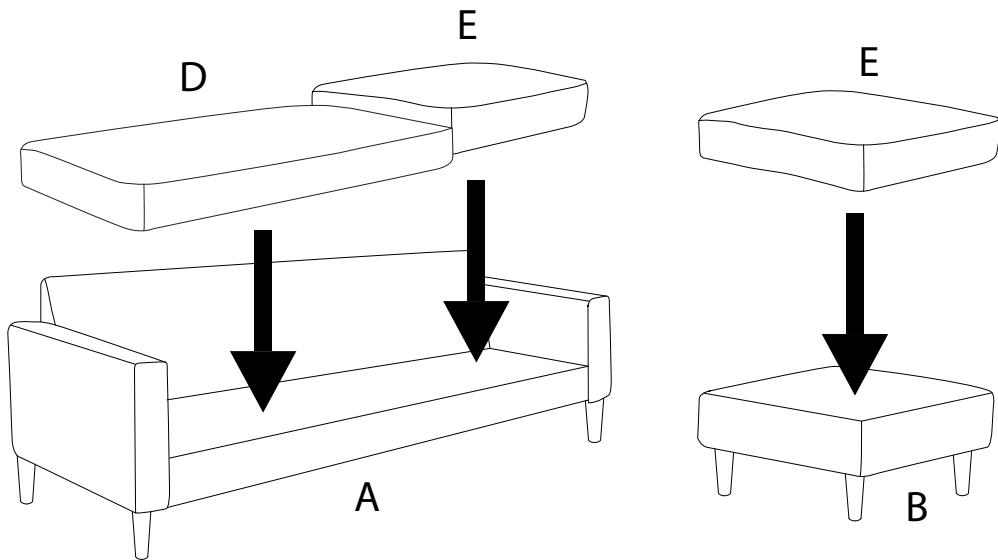
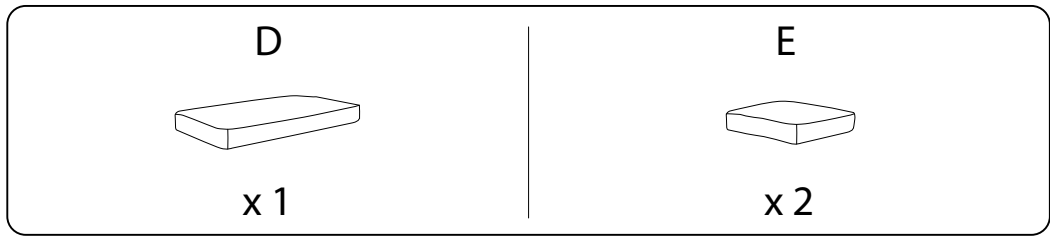
B



A



2



3

