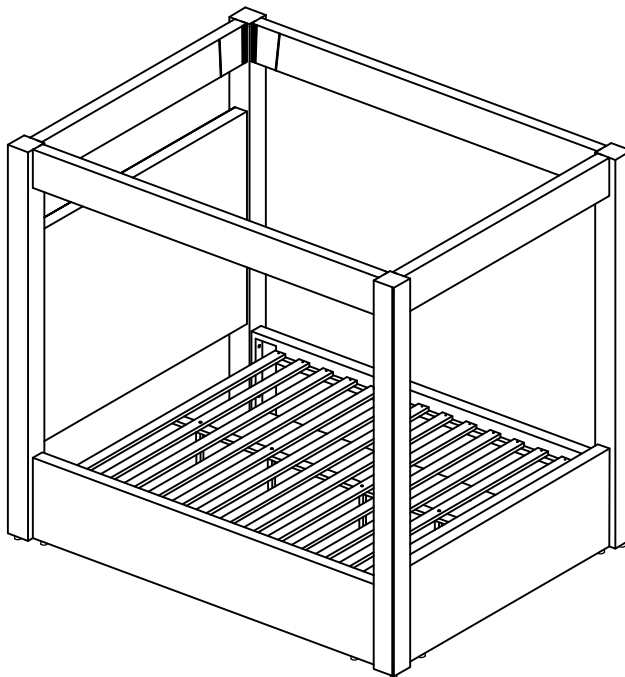


ASSEMBLY INSTRUCTIONS



Screwdriver
(Not Included)

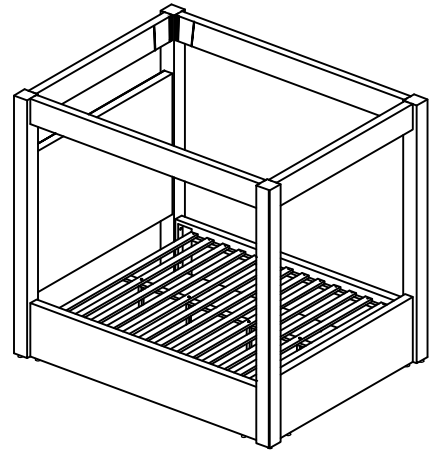


Allen Wrench
(Included)



Enjoying this product? We'd love your 5-star review!

If you have any issues, our support team are happy to help.



CHECK BEFORE STARTING

Are you missing anything?

Please double check all hardware and parts match the assembly guide before putting the product together. If damaged, we suggest you put the item back in the box and start your claim or return

Should we send any replacements?

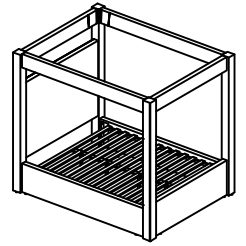
If there are any manufacturer defects or missing pieces please contact us for replacements. If purchased online, please contact the website of where you purchased it from, DIRECTLY

IMPORTANT INFO before assembly:

- If there's a problem with the parts do not attempt to assemble the product
- Place all parts on a clean and smooth surface such as a rug/carpet to avoid parts from being scratched
- When tightening screws to product do not overtighten until product is fully setup
- If product is too heavy for a single person to carry do not attempt and ask for assistance
- DO NOT DRAG or PUSH item to desired location. Must be carried when moving
- If item is not working as intended please review the assembly guide to see if any steps were missed or incorrectly built. If there's a problem with part please contact seller for additional assistance
- Please keep all hardware and small parts away from pets/infants
- Please wear gloves or protective gear to protect from getting cuts
- It is normal for new furniture to have an off gassing smell. Please air out furniture near a window for a few hours or a day before placing it in its desired location
- All products may have a slight color and texture variation due to different shipments, natural materials, screen-resolutions, or lighting in home. Images are rendered by different devices or websites

QUEEN BED

Please keep instructions for future reference
 Check the quantity and irregularity of parts
 and hardware before you start
 If assembly guide is misplaced, please visit our website for a copy



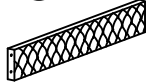
Part List

#1 x1pc



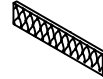
Headboard

#2 x 1pc



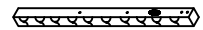
Footboard

#3 x 2pcs



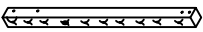
Side Rail

#4 x 2pcs(L+R)



HB Columns

#5 x 2pcs(L+R)



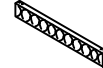
FB Columns

#6 x 2pcs



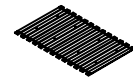
Upper Long Panels

#7 x 2pcs



Upper Short Panels

#8 x 1set



Slat (13pcs)

#9 x 4pc



Support leg

#10 x 1pc



Support Rail

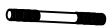
#11 x 10pcs



Leg

Hard ware List

#A x 32pcs



Threaded Stud
 Ø5/16" x 3-1/8"

#B x 32pcs



Flat Washer
 Ø5/16" X 22MM

#C x 32pcs



Spring Washer

#D x 32pcs



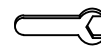
Hex Nut Ø5/16"x12MM

#E x26pcs



Screw M4X38MM

#F x 1pc



Wrench 12MM

If any parts/hardware listed are damaged or missing
 1PC Please contact the seller for additional assistance

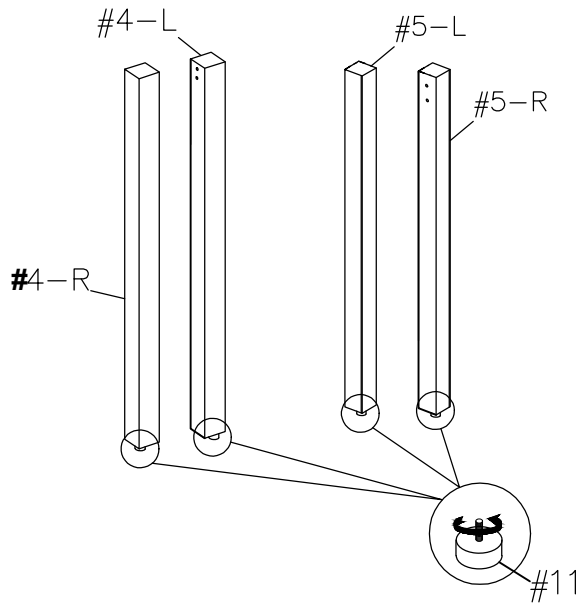
ASSEMBLY INSTRUCTIONS

IMPORTANT

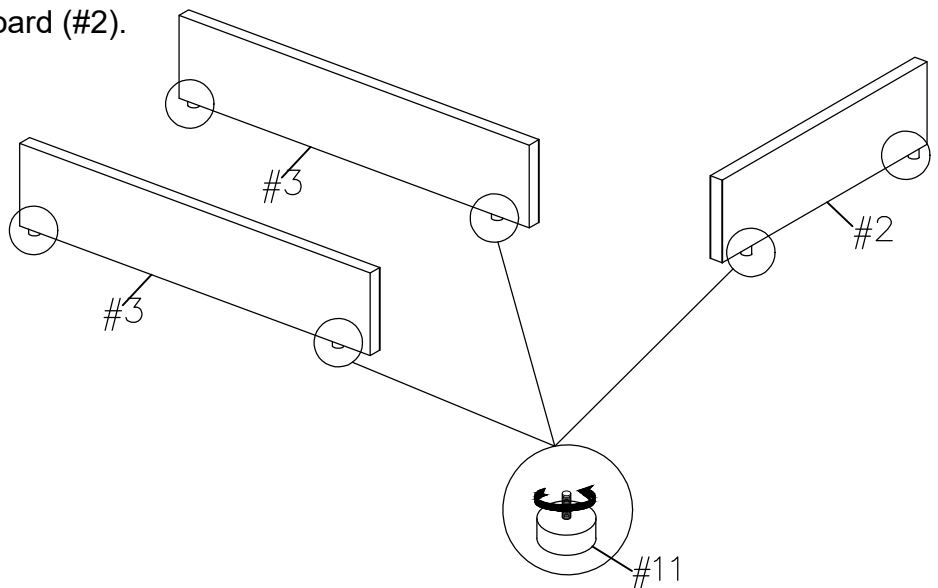
**Please keep Hex Wrench in a safe place as you may need to tighten up the Bolts in the future*

**Use a soft cloth between these parts and floor.*

Step 1: Twist on the leg (#11) to the HB and FB Columns (#4,#5).



Step 2: Twist the Leg (#11) onto the Side rails (#3) and the Footboard (#2).



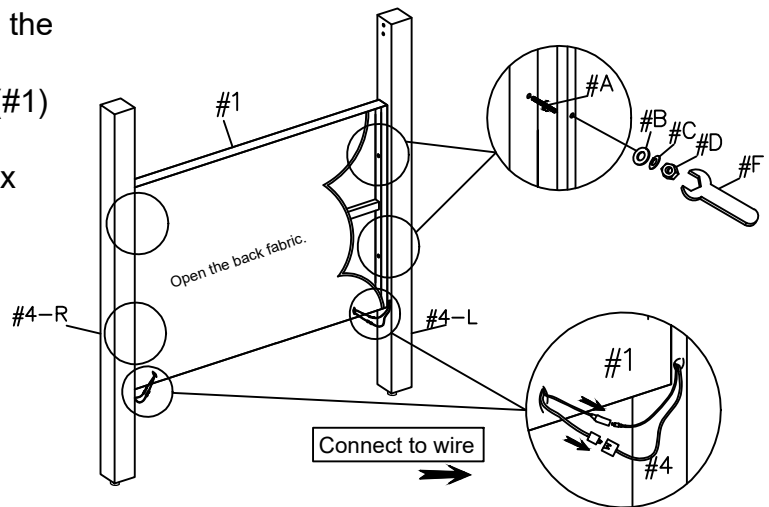
ASSEMBLY INSTRUCTIONS

IMPORTANT

*Please keep Hex Wrench in a safe place as you may need to tighten up the Bolts in the future

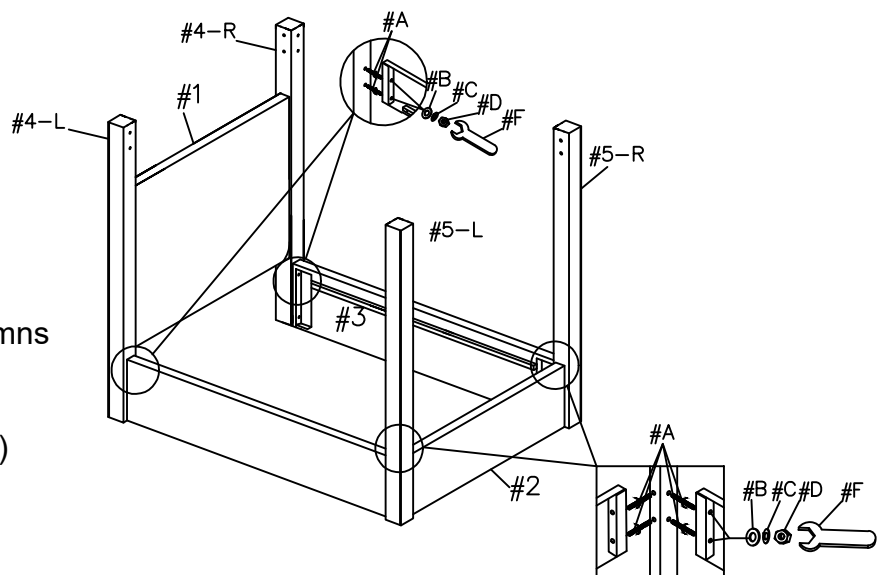
*Use a soft cloth between these parts and floor.

Step 3: Attach the Threaded stud (#A) to the HB Columns (#4). Align the HB Columns (#4) to the Headboard (#1) and secure by using Flat washer (#B), Spring washer (#C) and Hex nut (#D).



Step 4: 1. Attach the Threaded stud (#A) to the FB Columns (#5). Align the FB Columns (#5) to the Footboard (#2) and secure by using Flat washer (#B), Spring washer (#C) and Hex nut (#D).

2. Align the Side rails (#2) to the Headboard and Footboard Columns (#4,#5) and secure by using the Threaded Stud (#A) with Flat washer (#B), Spring washer (#C) and Hex nut (#D).



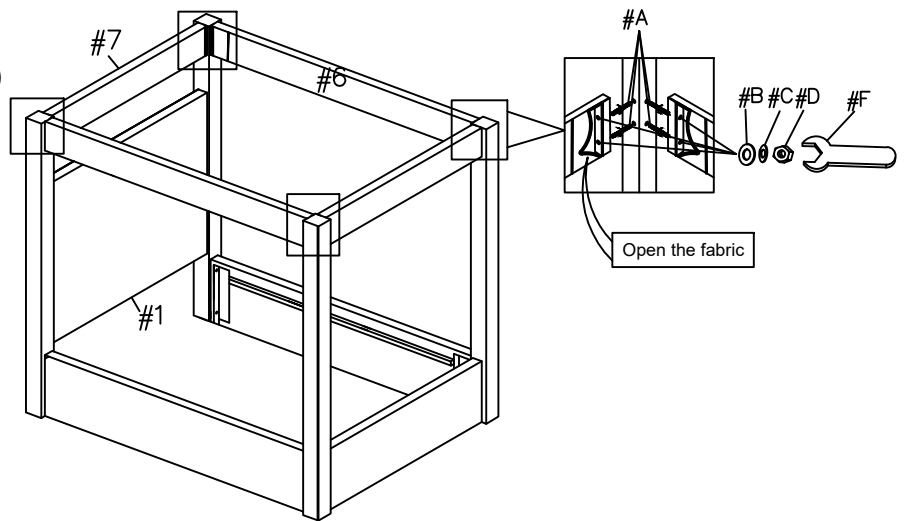
ASSEMBLY INSTRUCTIONS

IMPORTANT

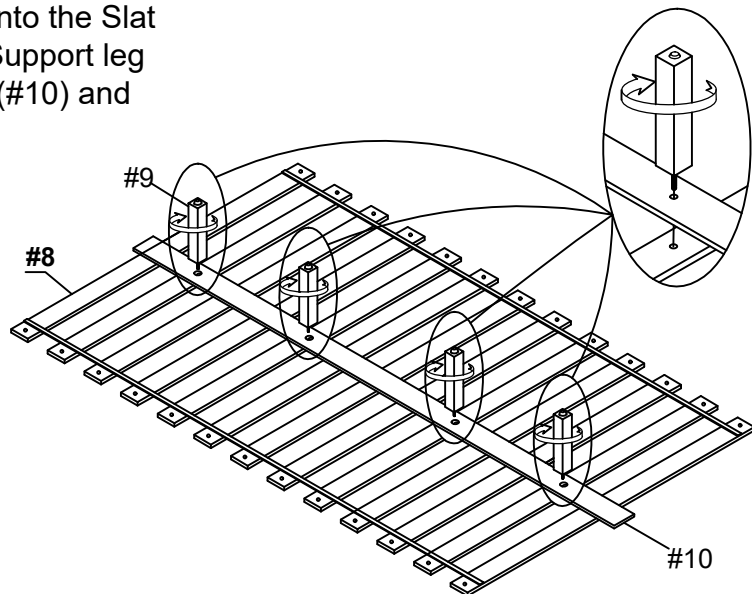
*Please keep Hex Wrench in a safe place as you may need to tighten up the Bolts in the future

*Use a soft cloth between these parts and floor.

Step 5: Attach the Threaded Stud (#A) to the HB and FB columns (#4,#5). Then align the the Upper long and Upper short panels (#6,#7) to the Columns and secure with Flat washer (#B), Spring washer (#C) and Hex nut (#D).



Step 6: Align the Support rail (#10) onto the Slat (#8). Secure by twisting the Support leg (#9) through the Support rail (#10) and onto the Slat (#8).



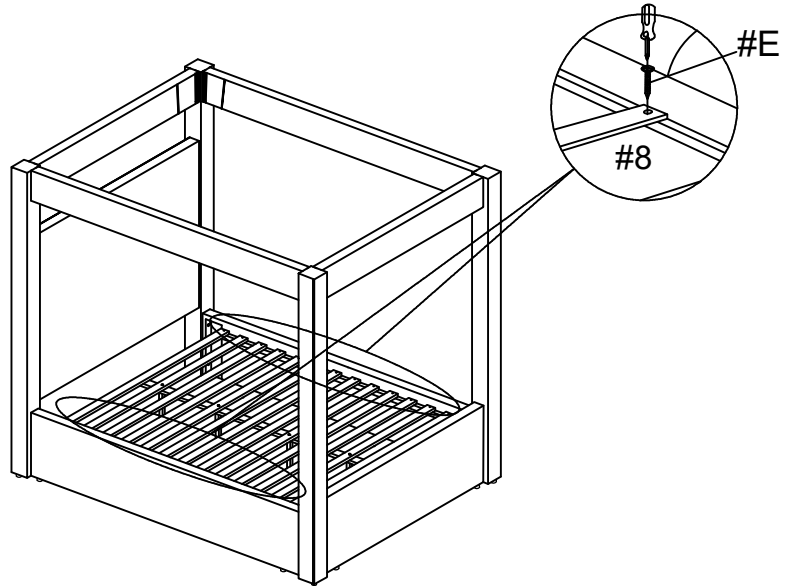
ASSEMBLY INSTRUCTIONS

IMPORTANT

**Please keep Hex Wrench in a safe place as you may need to tighten up the Bolts in the future*

**Use a soft cloth between these parts and floor.*

Step 7: Align onto the Side rails (#3) and secure by using Screw (#E).



Step 8

