

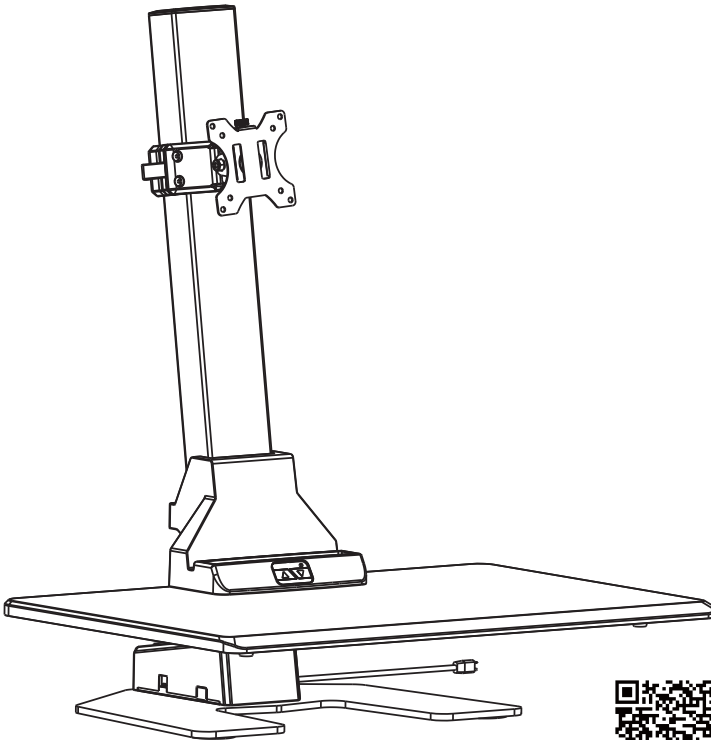
MOUNT-IT!

Installation Manual

SKU: MI-7951

SKU: MI-7951WHT

V1 07/24



Scan this QR code for product information, videos, and assembly assistance.

ELECTRIC SIT-STAND WORKSTATION



HAVE QUESTIONS?

Monday - Friday from 5:00am - 5:00pm PST



support@mount-it.com



(855) 925-5668



www.mount-it.com

Thank you for choosing Mount-It!

EN Read the entire instruction manual before you start installation and assembly. If you have any questions regarding any of the instructions or warnings, please contact Mount-It! for assistance.

- CAUTION:** Use with products heavier than the rated weights indicated may result in instability causing possible injury.
- Please closely follow the assembly instructions. Improper installation may result in damage or serious personal injury.
 - Safety gear and proper tools must be used. This product should only be installed by professionals.
 - This product is designed to be installed on solid concrete walls, masonry walls or wood stud walls.
 - Make sure that the supporting surface will safely support the combined weight of the equipment and all attached hardware and components.
 - Use the mounting screws provided and DO NOT OVER-TIGHTEN mounting screws.
 - This product contains small items that could be a choking hazard if swallowed. Keep these items away from children.
 - This product is intended for indoor use only. Using this product outdoors could lead to product failure and personal injury.
- IMPORTANT:** Ensure that you have received all parts according to the component checklist prior to installation. If any parts are missing or faulty, contact Mount-It! for a replacement.
- MAINTENANCE:** Check that the product is secure and safe to use at regular intervals (at least every three months).

DE Lesen Sie die gesamte Bedienungsanleitung, bevor Sie mit der Installation und Montage beginnen. Wenn Sie Fragen zur Anleitung oder Warnungen haben, wenden Sie sich bitte an Ihren örtlichen Händler.

- VORSICHT:** Die Verwendung mit Produkten, die schwerer als die angegebenen Nenngewichte sind, kann zu Instabilität führen und zu möglichen Verletzungen führen.
- Bitte befolgen Sie die Montageanleitung genau. Eine unsachgemäße Installation kann zu Schäden oder schweren Verletzungen führen.
 - Sicherheitsausrüstung und geeignete Werkzeuge müssen verwendet werden. Dieses Produkt sollte nur von Fachleuten installiert werden.
 - Dieses Produkt ist auf massiven Betonwänden oder Mauerwerkswänden zu montieren.
 - Stellen Sie sicher, dass die Auflagefläche das Gesamtgewicht des Geräts und aller angeschlossenen Hardware und Komponenten sicher trägt.
 - Verwenden Sie die mitgelieferten Befestigungsschrauben und die Befestigungsschrauben NICHT ZU FEST ANZIEHEN.
 - Dieses Produkt enthält Kleinteile, die beim Verschlucken eine Erstickungsgefahr darstellen können. Halten Sie diese Gegenstände von Kindern fern.
 - Dieses Produkt ist nur für den Innenbereich bestimmt. Die Verwendung dieses Produkts im Freien kann zu Produktversagen und Verletzungen führen.
- WICHTIG:** Stellen Sie vor der Installation sicher, dass Sie alle Teile gemäß der Komponenten-Checkliste erhalten haben. Bei beschädigten oder fehlenden Teilen, wenden Sie sich an Ihre Verkaufsstelle, um Ersatz zu erhalten.
- WARTUNG:** Überprüfen Sie das Produkt in regelmäßigen Abständen auf Sicherheit und Stabilität (am besten alle drei Monate).

FR Lisez attentivement le guide d'utilisateur avant de commencer l'installation et le montage. Si vous avez des questions concernant les instructions ou les avertissements, veuillez contacter votre distributeur local pour une assistance.

- ATTENTION:** L'utilisation de produits plus lourds que les poids nominaux indiqués peut entraîner une instabilité causant des blessures potentielles.
- Les supports doivent être joints comme spécifié dans les instructions de montage. Une mauvaise installation peut entraîner des dommages ou de graves blessures aux personnes.
 - Un équipement de sécurité et les outils appropriés doivent être utilisés. Ce produit devrait être installé uniquement par des professionnels.
 - Ce produit est conçu pour être installé sur des murs avec poteaux en bois, des murs en béton massif ou murs en brique.
 - Assurez-vous que la surface de soutien supporte le poids combiné de l'équipement et de tous les matériaux et composants associés.
 - Utilisez les vis de montage fournies et NE SERREZ PAS TROP les vis de montage.
 - Ce produit contient de petites pièces qui peuvent causer un étouffement si elles sont avalées. Éloignez ces pièces des enfants.
 - Ce produit est prévu uniquement pour une utilisation à l'intérieur. L'utilisation de ce produit à l'extérieur peut entraîner une défaillance du produit ou des blessures aux personnes.
- IMPORTANT:** Avant l'installation, assurez-vous que vous avez reçu toutes les pièces selon la liste de vérification des composants. Si une pièce est manquante ou endommagée, téléphonez à votre distributeur local pour qu'il la remplace.
- MAINTENANCE:** A intervalles réguliers (au moins tous les trois mois) vérifiez que le support est d'utilisation sûre et fiable.

RU Перед началом установки и сборки прочитайте руководство по установке. Если у Вас возникли какие-либо вопросы относительно инструкций или предупреждений, свяжитесь с Вашим местным распространителем для получения помощи.

- Внимание:** Использование продукта, вес которого превышает указанный расчетный вес, может привести к неустойчивости и возможным травмам.
- Опоры должны быть установлены, как это показано в монтажных инструкциях. Неправильная установка может привести к получению серьезных травм.
 - Необходимо использовать предохранительное устройство и специальные инструменты. Продукт должен устанавливаться только профессионалами.
 - Продукт предназначен для установки на деревянные каркасные стены, твердые цементные стены или кирпичные стены.
 - Убедитесь, что несущая поверхность выдержит вес всего установленного оборудования и комплектующих.
 - Необходимо использовать монтажные винты, входящие в комплект поставки, и НЕ ПЕРЕТЯГИВАТЬ монтажные винты.
 - Данный продукт содержит маленькие детали, которые представляют опасность удушья при проглатывании. Такие детали необходимо хранить в недоступном для детей месте.
 - Данный продукт предназначен только для эксплуатации в помещениях. Использование данного продукта на улице может привести к поломке продукта и получению травм.
- ВАЖНО:** Перед установкой убедитесь, что Вы получили все детали в соответствии со списком комплектующих. Если не хватает каких-либо деталей или они поломаны, свяжитесь с Вашим местным распространителем по вопросу замены.
- ТЕХНИЧЕСКОЕ ОБСЛУЖИВАНИЕ:** Необходимо регулярно проверять (как минимум, раз в три месяца), чтобы кронштейн был зафиксирован, и его использование было безопасным.

ES Lea todo el manual de instrucciones antes de comenzar la instalación y ensamble de la unidad. Si tiene alguna inquietud con respecto a las instrucciones o advertencias, comuníquese con su distribuidor local.

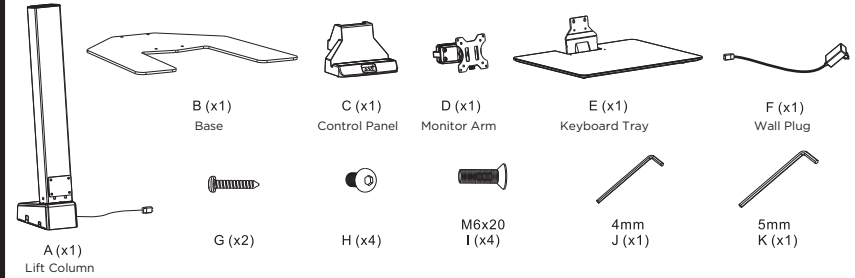
- PRECAUCIÓN:** utilizar con productos de mayor peso al indicado en los límites de peso podría ocasionar inestabilidad y posibles heridas personales.
- Los soportes deben acoplarse tal como se indica en las instrucciones de ensamble. Una incorrecta instalación podría ocasionar daños y serias heridas personales.
 - Utilice las herramientas y equipo de seguridad adecuados. Este producto solo debe ser instalado por profesionales.
 - Este producto está diseñado para instalaciones en paredes de madera sólida, concreto sólido o bloques.
 - Asegúrese de que la superficie de fijación sostenga de manera segura el peso total del equipo y todos sus componentes y hardware.
 - Utilice los tornillos de ensamble suministrados y NO aplique demasiada tensión a los tornillos.
 - Este producto contiene piezas pequeñas que representan un riesgo de asfixia. Mantenga estas piezas fuera del alcance de los niños.
 - Este producto está diseñado para uso en interiores solamente. Utilizar este producto en exteriores podría ocasionar fallas y heridas personales.
- IMPORTANTE:** Asegúrese de que haya recibido todas las piezas según la lista de verificación de componentes para la instalación. Si falta alguna de las partes, o está dañada, comuníquese con su distribuidor.
- MANTENIMIENTO:** Compruebe periódicamente que el soporte esté asegurado y listo para usar (al menos cada tres meses).

PT Leia todo o manual de instruções antes de iniciar a instalação e montagem. Se você tiver alguma dúvida sobre quaisquer uma das instruções ou avisos, por favor, entre em contato com o seu distribuidor local para assistência.

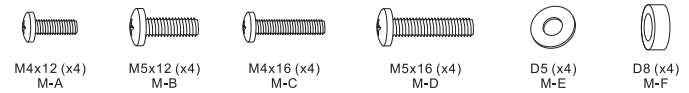
- ATENÇÃO:** O uso com produtos mais pesados do que os pesos indicados pode resultar em instabilidade, causando possíveis danos.
- Os suportes devem ser anexados como especificado nas instruções de montagem. A instalação incorreta pode causar danos ou sérias lesões pessoais.
 - Equipamentos de segurança e ferramentas adequadas devem ser utilizadas. Este produto só deve ser instalado por profissionais.
 - Este produto é projetado para ser instalado em pilares verticais de paredes de madeira, paredes de concreto sólido ou de tijolos.
 - Certifique-se que a superfície de suporte suportará com segurança o peso combinado do equipamento e todas as ferragens e componentes anexados.
 - Use os parafusos de montagem fornecidos e NÃO APERTE EXCESSIVAMENTE os mesmos.
 - Este produto contém pequenas peças que podem causar asfixia se ingeridas. Mantenha esses itens longe do alcance de crianças.
 - Este produto destina-se somente para uso interno. Usá-lo em ambiente externo pode causar falhas no produto e lesões pessoais.
- IMPORTANTE:** Assure-se que você recebeu todas as peças, de acordo com a lista de componentes, antes da instalação. Se alguma peça estiver faltando ou é defeituosa, contate o seu distribuidor local para substituição.
- MANUTENÇÃO:** Certifique-se que o suporte seja seguro e protegido para o uso em intervalos regulares (pelo menos a cada três meses).



Workstation and Accessories



Monitor Mounting Hardware

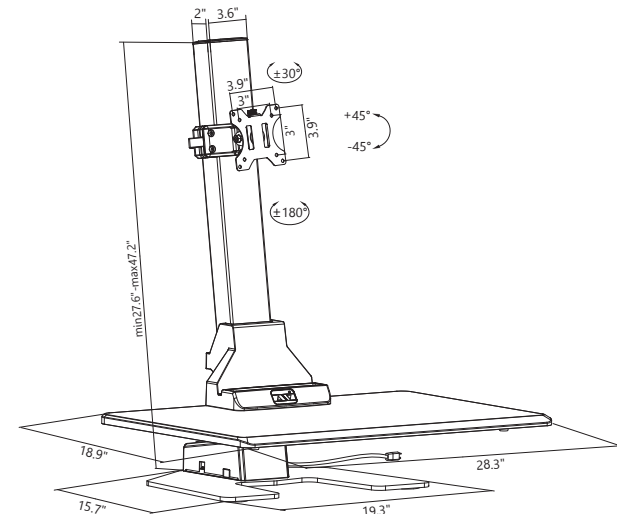


Check carefully to make sure there are no missing or defective parts. Some hardware provided may not be used. Use the correct mounting hardware suitable for your installation.

CHOKING HAZARD. Package includes small parts. Not for children under 3 years. Adult supervision is required.

Missing Parts? Call us at (855) 925-5668 and we will ship replacement parts free of charge.

DIMENSIONS & WEIGHT CAPACITY

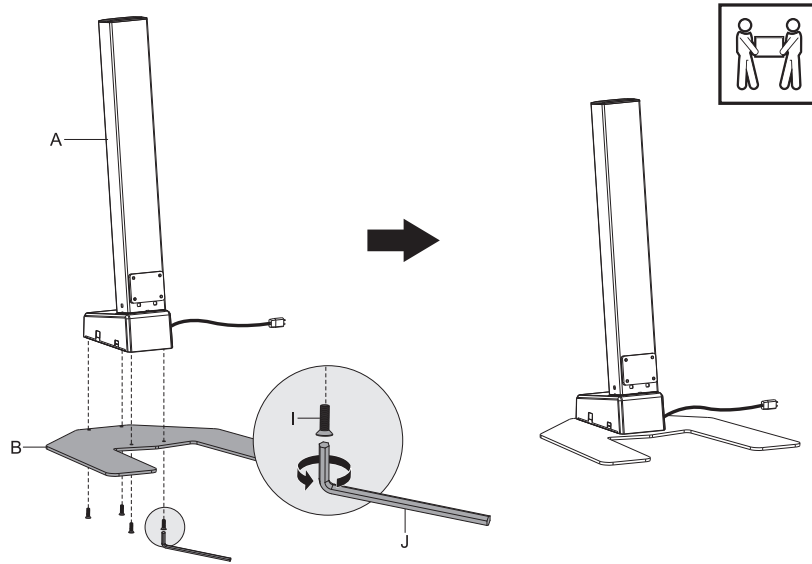


Monitor Weight Capacity per screen is 17.6lbs/8kgs, and Lifting Weight Capacity is 55lbs/25kgs. **Caution:** Ensure all mounting surfaces are capable of holding the weight of your mount. **DO NOT EXCEED MAXIMUM LISTED WEIGHT CAPACITY. SERIOUS INJURY OR PROPERTY DAMAGE MAY OCCUR!**

Step 1

Assemble the Base

- Attach the Lift Column (#A) to the Base (#B) using the Bolts (#I).

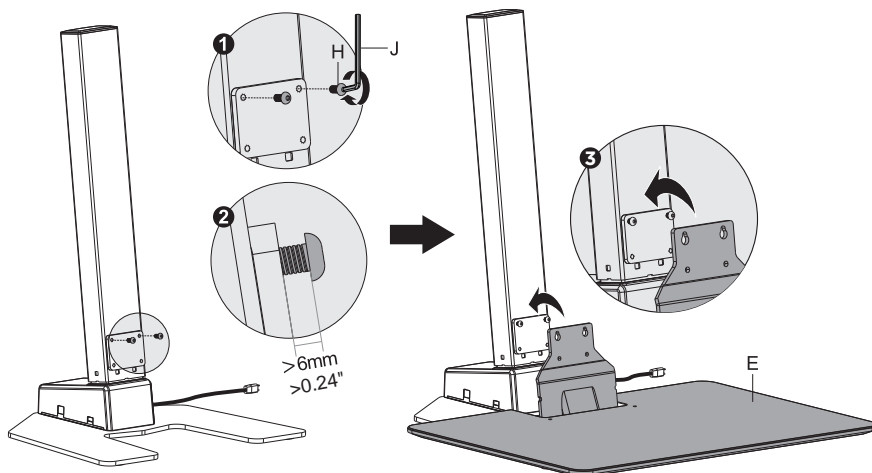


Step 2

Attach the Keyboard Tray

- Insert the upper 2 Bolts (#H) into the rectangular bracket on the lower portion of the Lift Column.
- Leave a gap of approximately 6mm (.23in) between the bottom of the bolt head and the bracket.
- Hang the Keyboard Tray (#E) on the 2 bolts and ensure that the bolts are seated fully in the smaller end of the keyhole shaped holes.

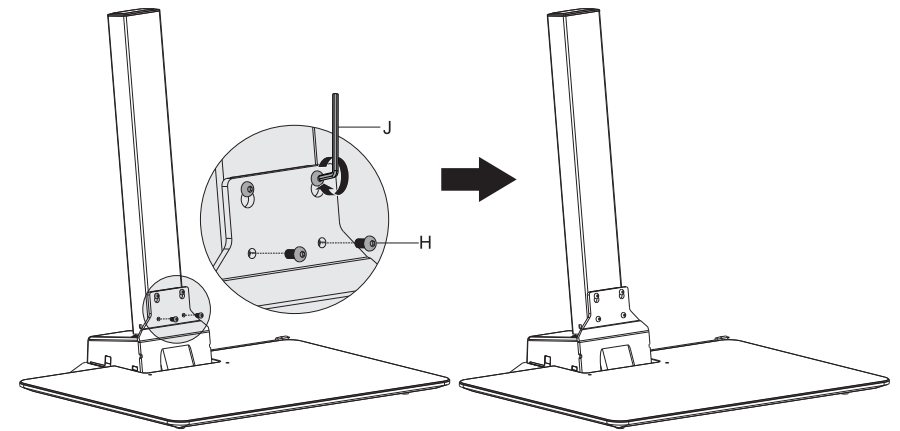
Caution: Do not use the keyboard tray to lift or move the desk.



Step 3

Secure the Tray

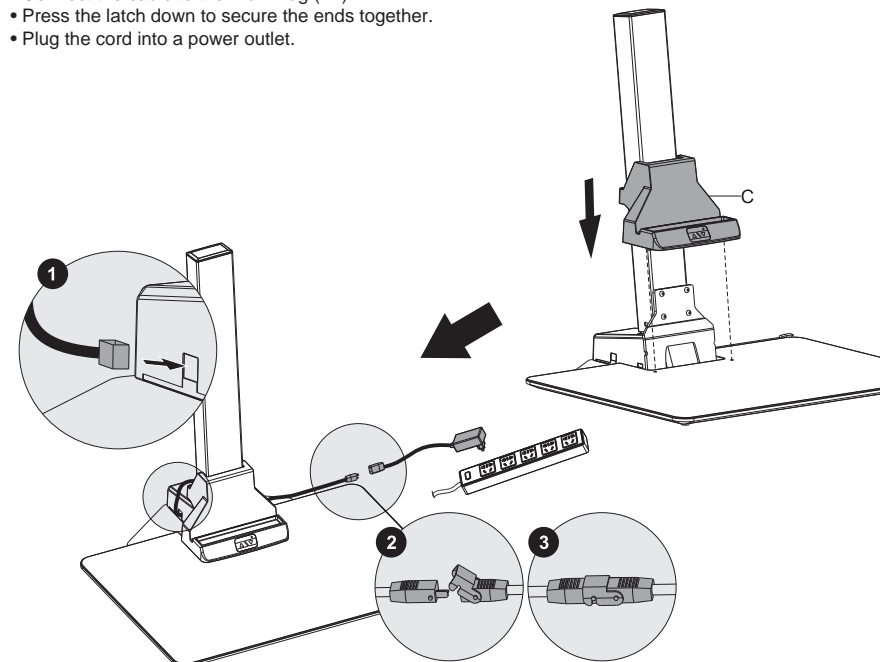
- Install the 2 Bolts (#H) to the lower bolt holes then fully tighten the upper 2 bolts.



Step 4

Install the Control Panel

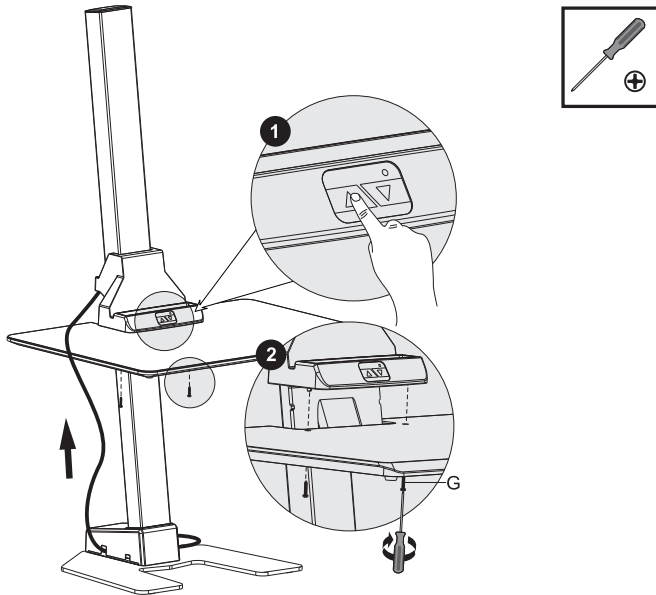
- Slide the Control Panel (#C) down over the top of the column.
- Pass the control panel cable through the opening shown here and out the other side.
- Connect the cable to the Wall Plug (#F).
- Press the latch down to secure the ends together.
- Plug the cord into a power outlet.



Step 5

Secure the Control Panel

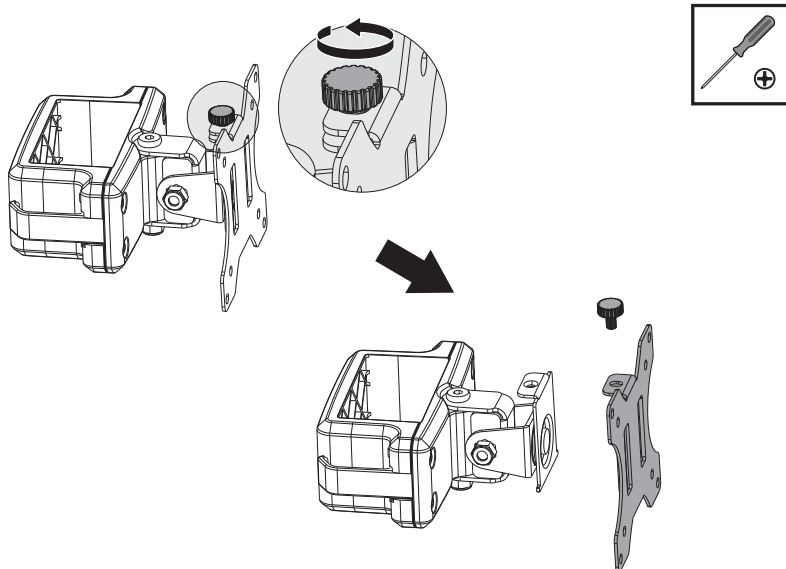
- Press the up-arrow button and raise the keyboard tray to a higher enough position to comfortably access the bottom of the tray. Install the Bolts (#G) through the underside of the tray into the Control Panel, to secure it in place.



Step 6

Remove the VESA Plates

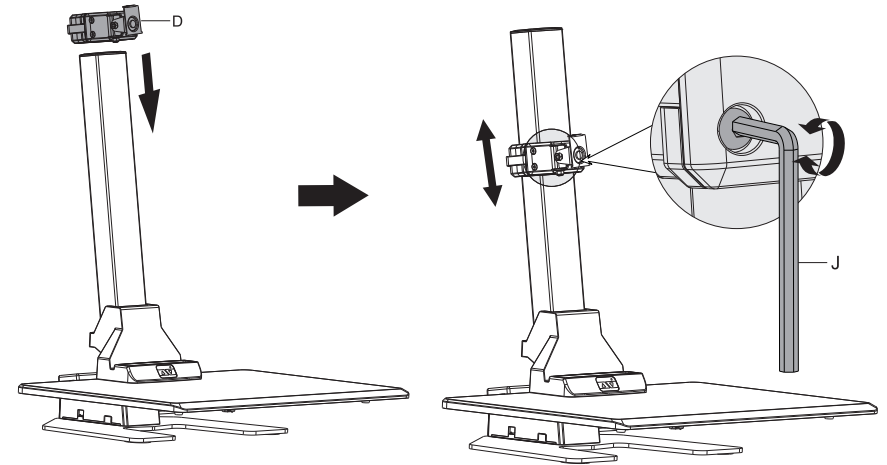
- Loosen and remove the bolts and knobs on the top of the VESA plates, then remove the plates.



Step 7

Install the Monitor Arm

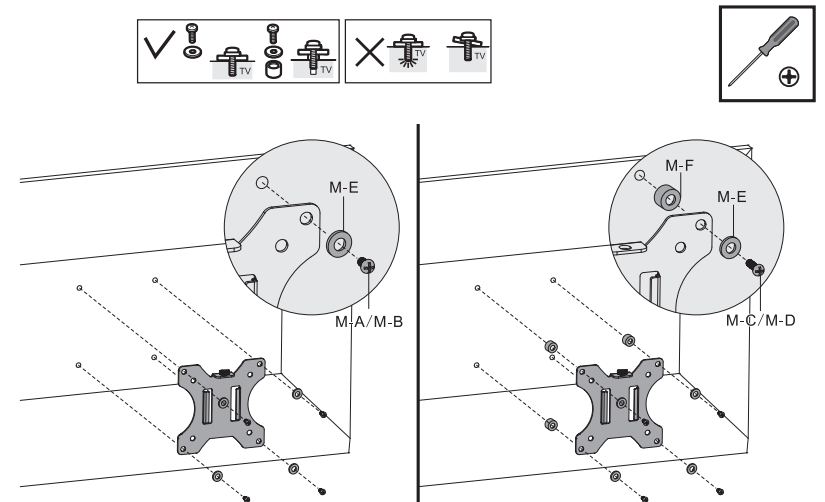
- Slide the Monitor Arm (#D) onto the column and tighten the 4 bolts on the Monitor Arm to secure the arm at the desired height.



Step 8

Attach the VESA Plates to the Monitors

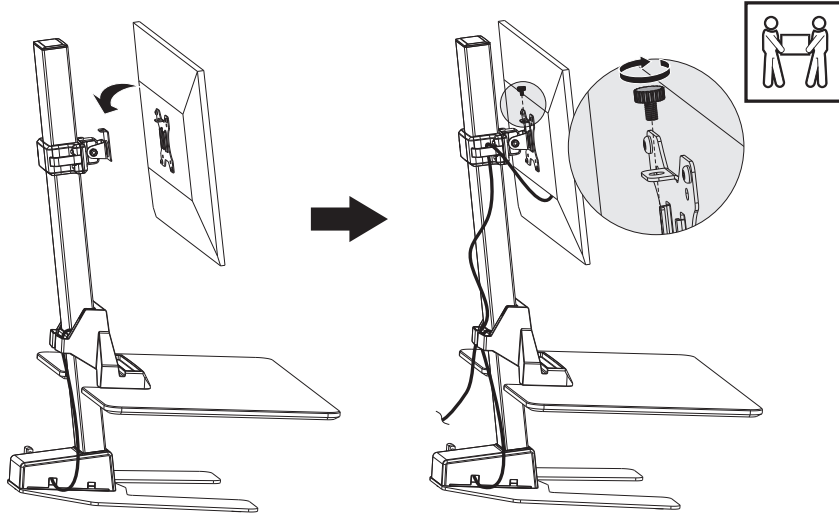
- Select the appropriate size mounting bolt (#M-A through M-D) for your monitors mounting holes and verify the length of the VESA bolt is not too long. If you are unsure of the correct bolt size for your display refer to your monitor user manual or contact the monitor manufacturer for sizing information. If necessary, use the included spacers (#M-F) between the mount and the screen as shown to adjust the length of the mounting bolt.
- Install the VESA Plate onto the back of the monitor using the selected Bolts (#M-A or M-B) and Washers (#M-C) and ensure that the arrow on the plate is pointing up to the top of the monitor. Use the Spacers (#M-F) if needed



Step 9

Hang the Monitors on the Arm

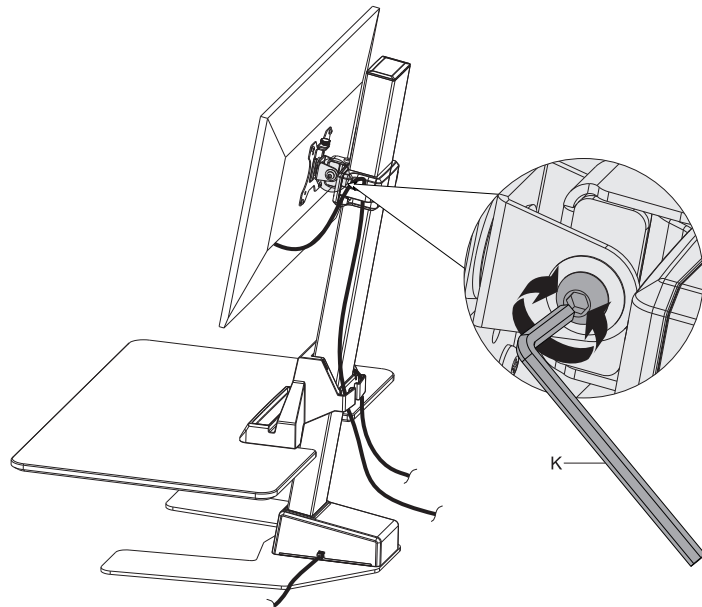
- Slide the monitors into place on the end of the monitor arm brackets. Reinstall the bolts and knobs removed in Step 6 to secure the monitors in place.



Step 10

Adjust the Monitor Angle

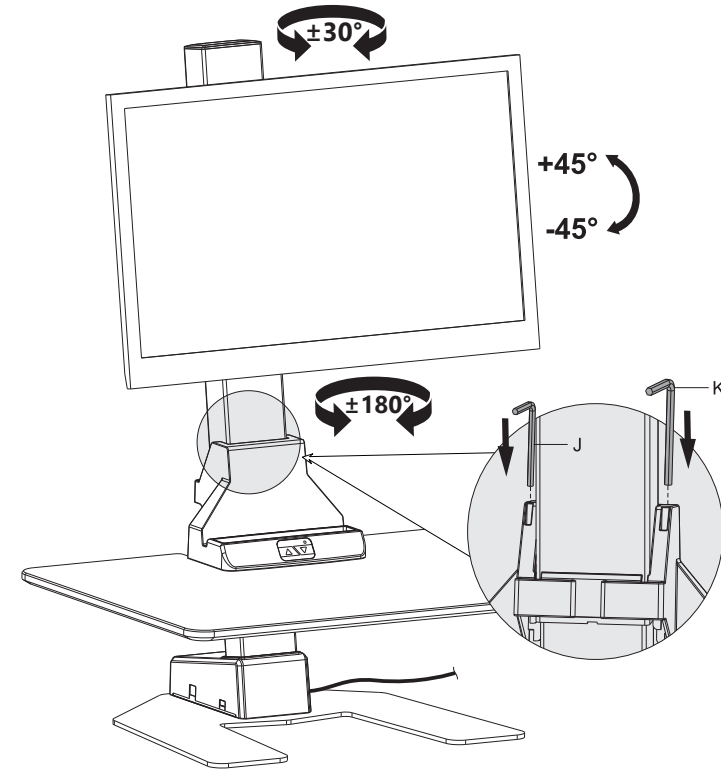
- If necessary, adjust the tilt angle of the monitor by loosening the bolt shown in the magnification bubble. Once the desired angle has been reached tighten the bolt again.



Step 11

Final Adjustments

- The monitors can be tilted $\pm 45^\circ$ and swiveled $\pm 30^\circ$. And Screen Rotation is $\pm 180^\circ$. Store the Hex Wrenches (#J, K) in the slots in the back of the Control Panel for easier access if they should be needed.



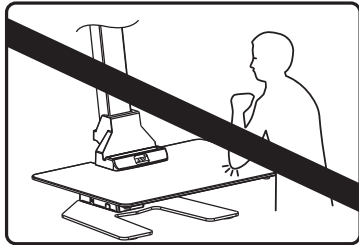
Operation Instruction:

- △ Upward movement
- ▽ Downward movement

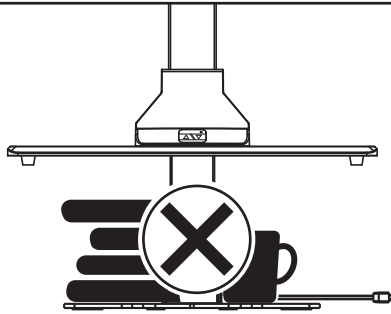
Press the "△" or "▽" and do not release until the workstation reaches the desired height. If the motor continuously operates for a relatively long period of time, the overheat protection will activate. The control panel will work normally again after approximately 20 minutes.

Note:

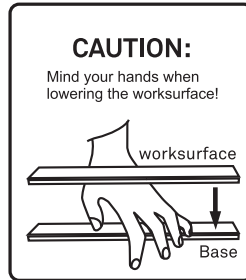
- Weight Capacity Exceeded: while operating, if the desk is over the weight capacity, the system will enter into an overload protection mode. This will protect the system from damages caused by exceeding the weight capacity. When this happens, the workstation will move downward approximately 1in (30mm) and stop. Remove items from the desktop until it is under the weight capacity.
- Perform a system reset when the unit is not operating properly.
- Reset Procedure: while the unit is powered on, hold the "DOWN" button and the workstation will move to a fully lowered position. Do not release the button until the workstation moves upward slightly, then stops. The reset is now complete.



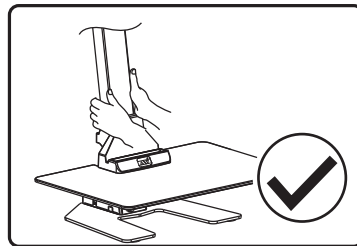
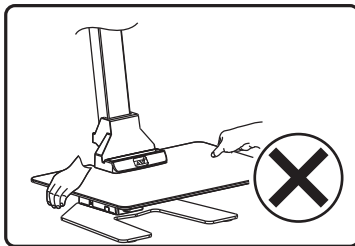
CAUTION:
Do not lean on the workstation.



Do not place anything under the workstation.



! Please avoid using only the keyboard tray to lift or move the desk.



This electric sit-stand workstation consists of a heavy-duty steel construction and a motorized height adjustment system. Please read and completely understand this manual before installation in order to make sure the safe and correct use of the system and maintain the longevity of the overall construction and the built-in electronics.

⚠ Instructions of Safety and Warnings:

- Any Failure to Comply with the Safety and Installation Instructions in this Manual may Cause Serious Bodily Injury.
- Any Incomplete Observation of the Instructions, Warnings and Additional Information Marked with the "Note" Symbol may Result in Serious Damage to the System or its Components.
- This Product can be Used by Children Aged from 8 Years and above if They have been Given Supervision or Instruction Concerning Use of the Appliance in a Safe Way and Understand the Hazards Involved. Children shall not Play with the Appliance. Cleaning and User Maintenance shall not be Made by Children without Supervision. Unplug the Desk when the System isn't in Use, and Place the Power Plug out of Children Reach.
- Persons with Reduced Physical, Mental Abilities and or Lack of Experience and Knowledge must not Use the Product, unless They're under Supervision, Understand the Hazards involved or they have been Thoroughly Instructed in the Use of the Apparatus by a Person who is Responsible for the Safety of these Persons.
- Users should Make Sure that They Never Sit on or Lean against the Desktop in Order to Prevent Serious Bodily Injury.

⚠ Electrical Safety Instructions

The product is powered by electricity. In order to avoid burns, fire and electric shock, please read the instructions carefully.

- Don't clean the product while the power is still connected.
- Don't disassemble or replace components while the power is still connected.
- Never operate the system with a damaged cord or plug. Please contact your point of purchase to replace the damaged parts.
- Never operate the system if it's in moist environment or its electrical components has contact with liquids.
- Alterations of the given power unit aren't allowed.
- Outdoor use is prohibited.

Other Safety Instructions

- Clear up all obstacles within the height adjustment range.
- Don't leave the cords or plug unorganized in order to prevent tripping hazards.
- Any attempts to reconstruct the construction aren't allowed.
- Don't add anything to the opening of the product.

Notifications:

Please check all of the components shown in the component checklist. If any of the components are missing or damaged, contact your point of purchase for a replacement.



Disposal:

The product with this mark indicates that this product shouldn't be disposed with other household wastes throughout the EU. To prevent possible harm to the environment or human health from uncontrolled waste disposal, recycle it responsibly to promote the sustainable reuse of material resources. To return your used device, please use the local recycle service or contact your point of purchase to withdraw the product.

Visit us at www.mount-it.com for product registration and warranty information.

Our US based customer service team is standing by to answer any questions you have about your Mount-It! product.

Available by phone **Monday - Friday from 5:00am to 5:00pm** PST.

Chat live with an agent on our website!



support@mount-it.com



(855) 925-5668



www.mount-it.com