



**PREMIER**  
COPPER PRODUCTS

## MODEL NUMBER: BV15DB2

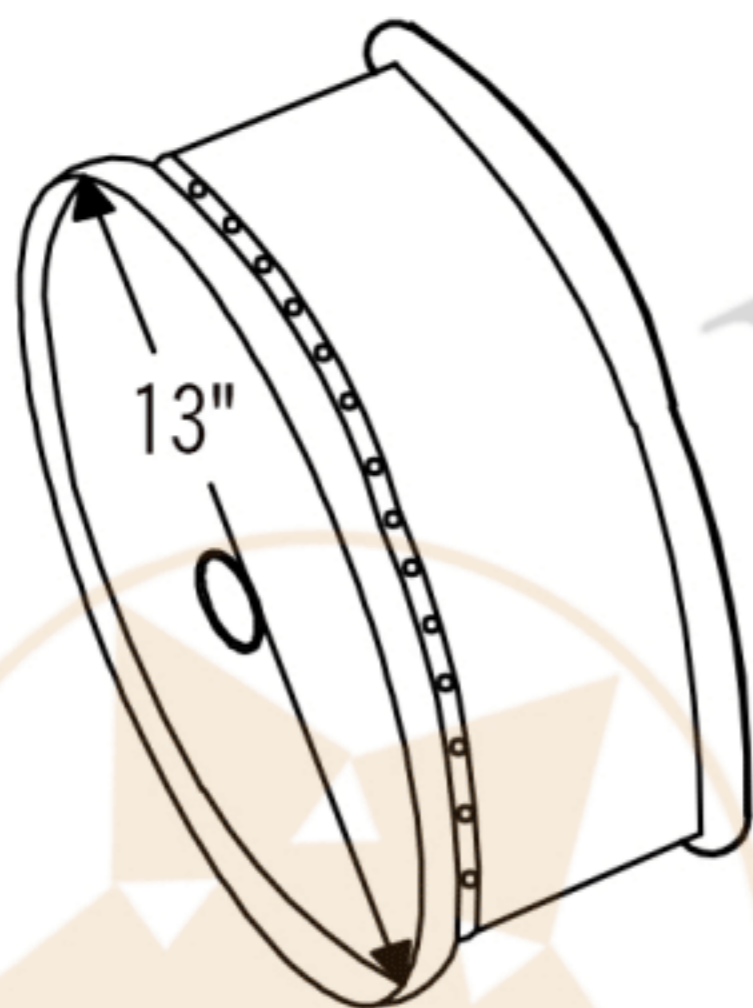
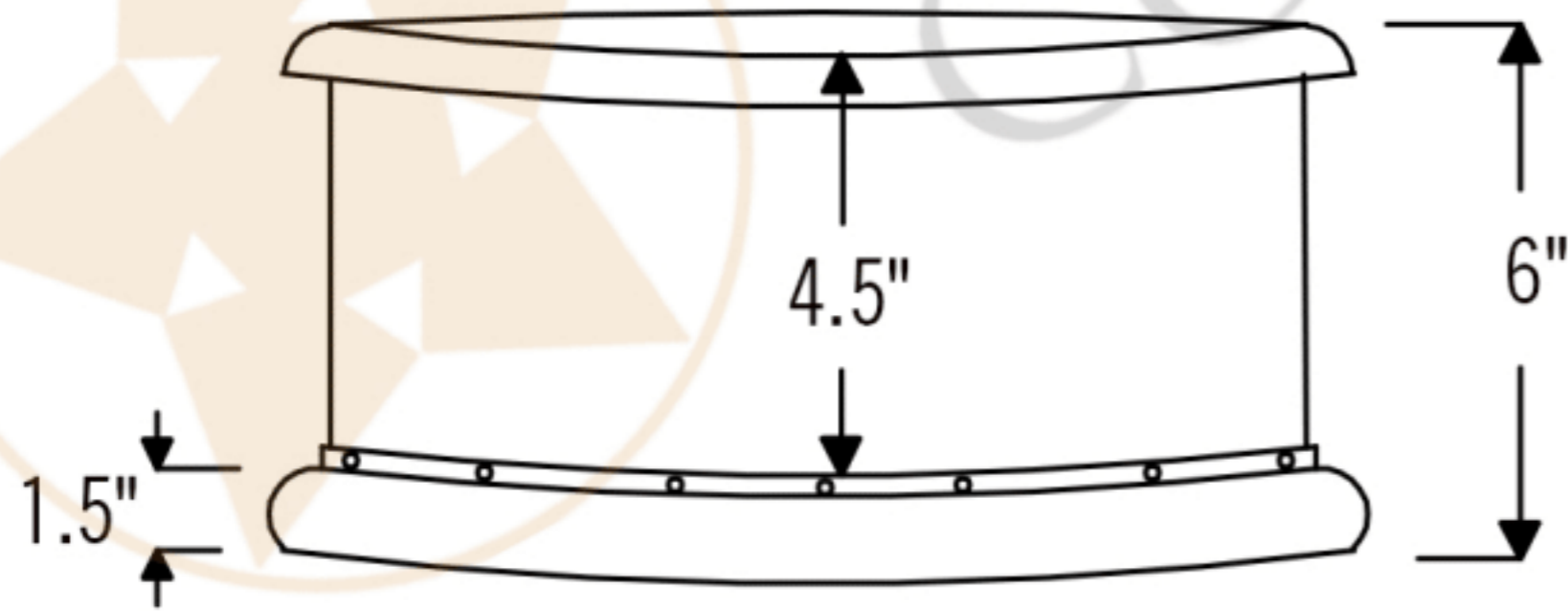
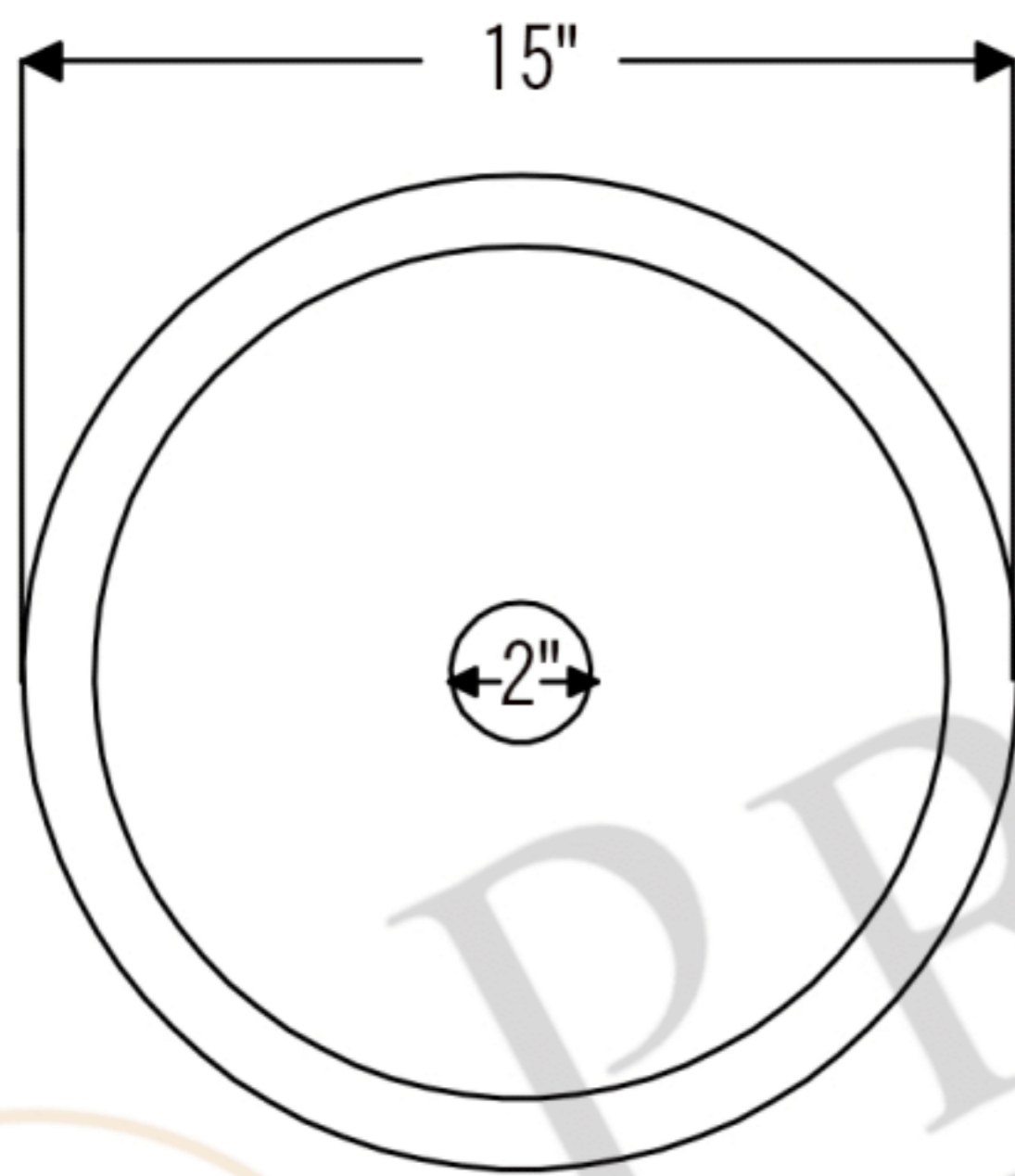
- \* Description: 15" Round Bar Vessel Tub Sink w/ 2" Drain Size
- \* Outer Dimensions: 15" x 6"
- \* Inner Dimensions: 13" x 4.5"
- \* Skirt Dimension: 1.5"
- \* Rim: 1"
- \* Drain Opening: 2"
- \* Finish: Oil Rubbed Bronze

CODE/STANDARD COMPLIANCE

\* IAPMO/cUPC LISTED



\* ORB: Oil Rubbed Bronze



THIS PRODUCT IS HAND CRAFTED, SMALL VARIANCES IN COLOR AND SIZE MAY OCCUR.  
DO NOT MAKE ANY INSTALLATION CUTS UNTIL YOU RECEIVE YOUR ITEM(S).