

Installation Instruction

Product Features:
Elegant Brass Hand Shower
Solid Brass Construction
Ceramic Disc Cartridge
Swivel Spout

Freestanding Tub Filler Faucet Manual

Note: This instructions manual is written for universal use and may be subjected to specification variance of actual parts.



For easy installation of your faucet, please ensure the following:

- Read thoroughly all the instructions before installing the faucet.
- Read and understand all warnings, care and maintenance information.

Product Description & Information

Product Description & Information

The freestanding tub filler faucet upholds the timeless essence of antique faucet design while incorporating the benefits of modern day technology and convenience. Introducing a nostalgic look to your bathroom with our tub filler faucet that has two ergonomic lever handles with a corrosion and tarnish-resistant finish, and an elegant brass hand-shower that produces a truly enjoyable bathing experience.

PLEASE CAREFULLY READ THIS INSTRUCTIONS MANUAL BEFORE INSTALLING AND USING THE PRODUCT.

PLEASE KEEP THIS INSTRUCTION MANUAL FOR FUTURE REFERENCE REGARDING PRODUCT OPERATION AND MAINTENANCE.

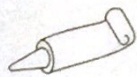
Features:

- Elegant Brass Hand Shower
- Solid Brass Construction
- Ceramic Disc Cartridge
- Swivel Spout

Package Contents :

- 1- Freestanding Tub Filler Faucet
- 1- Installation Accessories
- 1- Hand Shower And Hose
- 2- Cover Plate

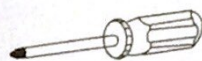
TOOLS YOU WILL NEED:



Plumber' s putty



Pipe tape



Philips screwdriver



Pliers



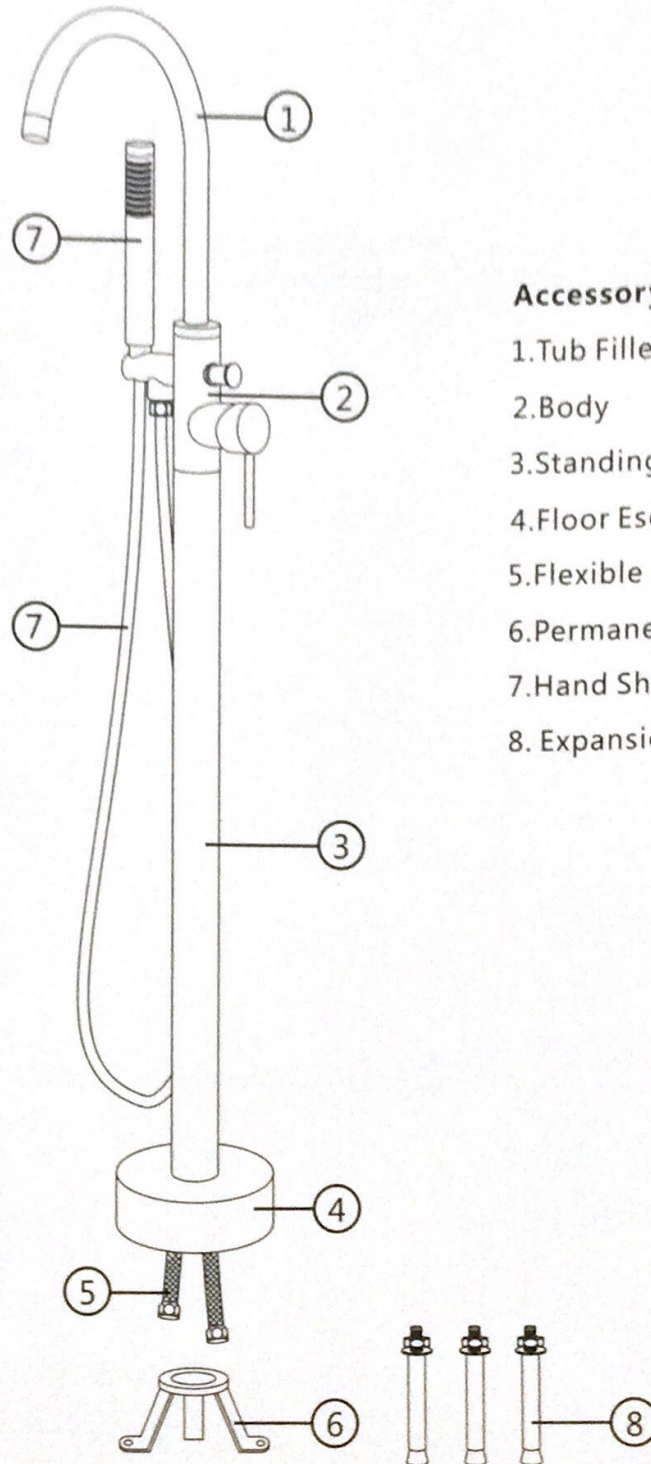
Adjustable wrench

Cleaning and Care

Care should be exercised when cleaning this product. Although its finish is durable, it can be damaged from harsh abrasives and cleaning pads. To clean, use light, non-abrasive cleaning solution or cleaning polish.

Product Diagram and Parts

Product Diagram and Parts

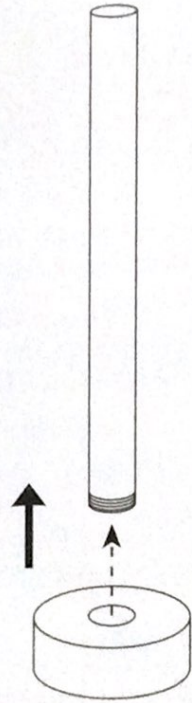


Accessory List:

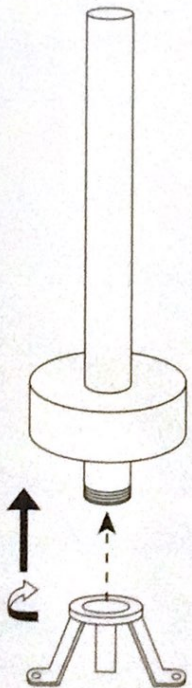
1. Tub Filler Spout
2. Body
3. Standing Tube
4. Floor Escutcheon
5. Flexible hoses*2
6. Permanent Seat
7. Hand Shower and Hose
8. Expansion Screw

Faucet Installation Steps

Faucet Installation Steps

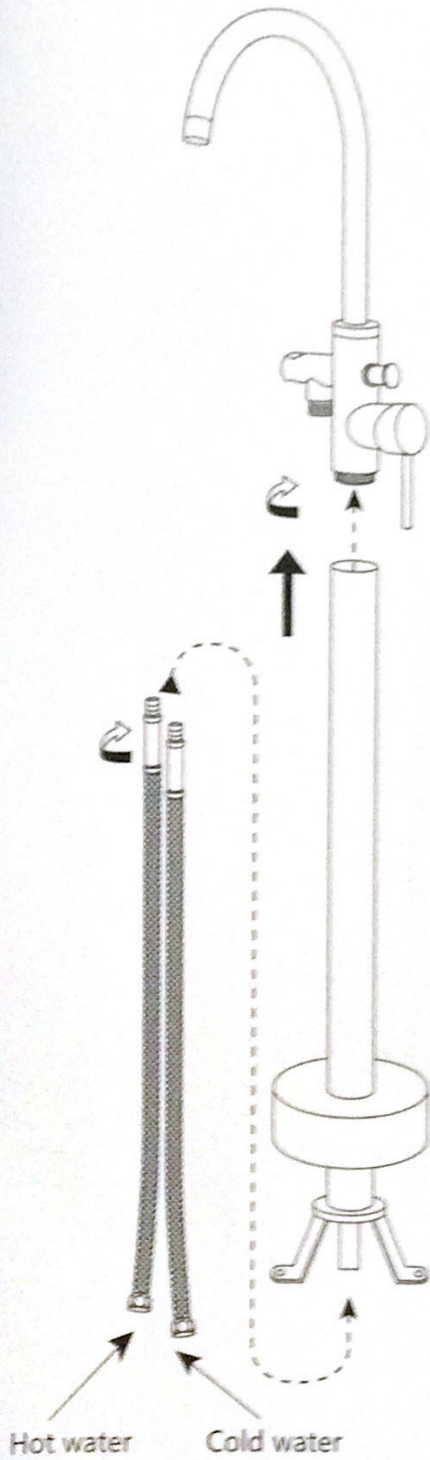


1. The floor escutcheon through the standing tube from top to bottom.



2. Installed the permanent seat.

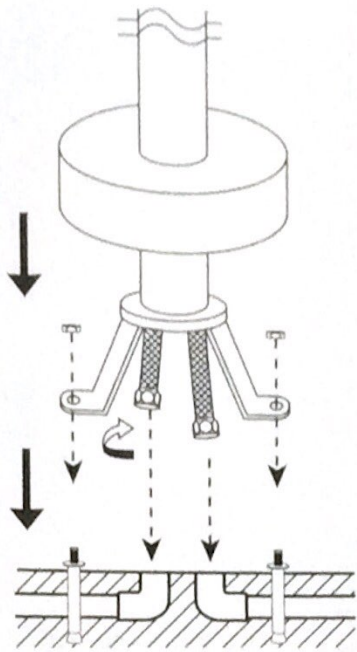
Faucet Installation Steps



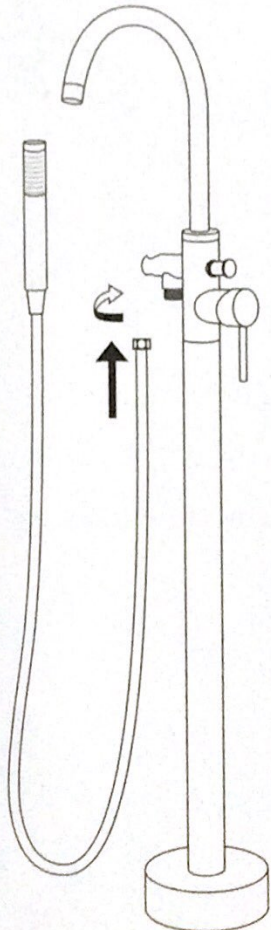
3. The flexible hoses through the standing tube. Twist tight to attach flexible hoses to the faucet.

4. Twist to tighten the standing tube to the top faucet.

Faucet Installation Steps



5. Tighten the screws to the permanent seat on the ground. Insert the flexible hoses to the hot and cold outlet tube.



6. Install the hose to the hand shower and the tub filler. Please check the tub filler spout and hand shower water flow and its function.