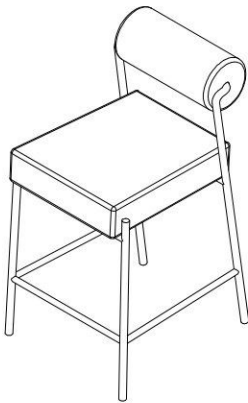


# ASSEMBLY INSTRUCTIONS



## + Do Not Use Power Tools



## + Suggested Adults



- 1 Read instructions cover to cover.
- 2 Save all packaging until assembly is completed.

## 1 IMPORTANT SAFETY INFORMATION

**Do not** assemble the product if any of the following parts arrived damaged:

- Part 1 - Counter stool front leg
- Part 2 - Counter stool back leg
- Part 3 - Counter stool rail
- Part 4 - Counter stool seat

**Do not** assemble if any of the following Hardware parts are missing:

- Part A - Allen Key
- Part B - Bolt
- Part C - Bolt
- Part D - Gasket

## 2 IMPORTANT ASSEMBLY INFORMATION

**Assembly Step** If loosening persists, please make sure to tighten all the bolts periodically, or use a thread locker adhesive.

## + Parts Included

- ① Front leg x1pc



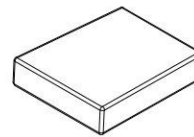
- ② Back leg x1pc



- ③ Rail x2pcs



- ④ Seat x1pc



## + Hardware Included

- A** Allen Key x1pc  
4#



- B** Bolt x7pcs  
M6x45



- C** Bolt x4pcs  
M6x12

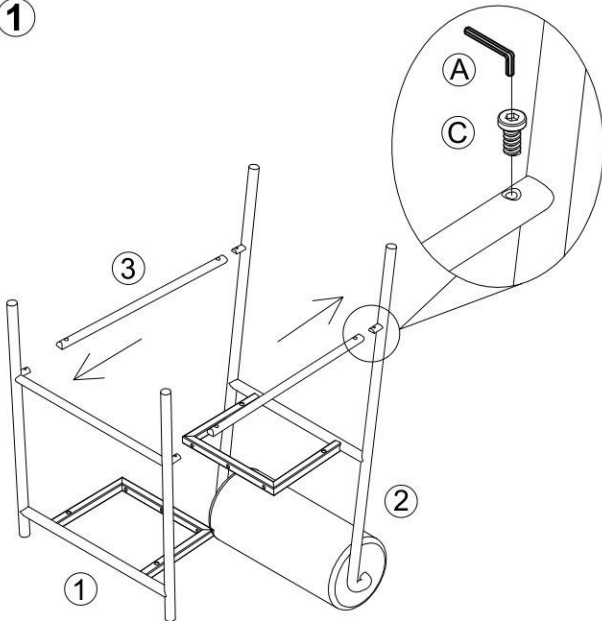


- D** Gasket x7pcs  
Ø16xØ6



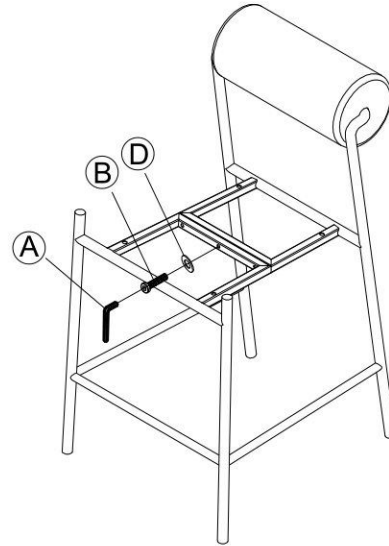
# ASSEMBLY INSTRUCTIONS

1



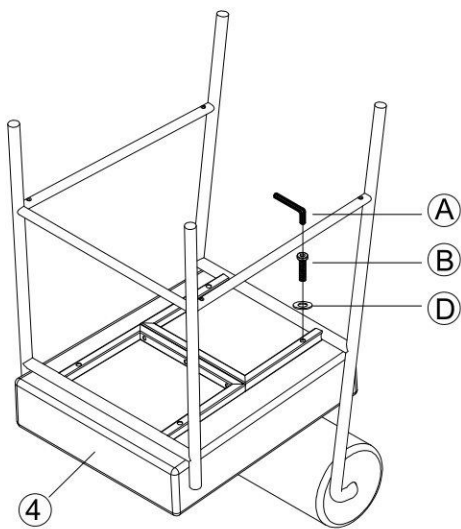
Don't lock the bolts tightly first.

2

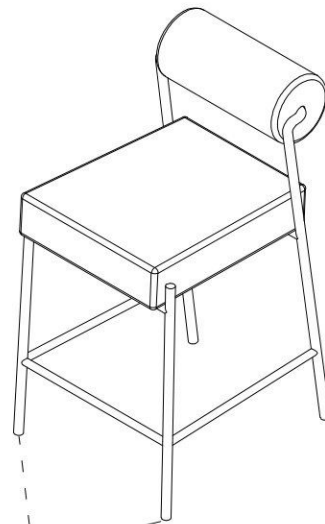


After assembling the leg, then lock the bolts tightly in the step 1.

3



4



Adjust if uneven