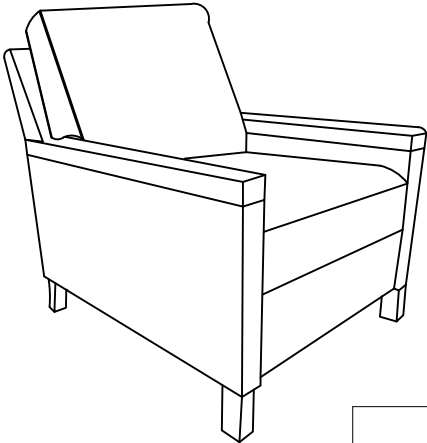


ASSEMBLY INSTRUCTIONS

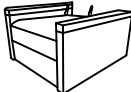

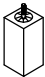

Push Back Reclining Chair



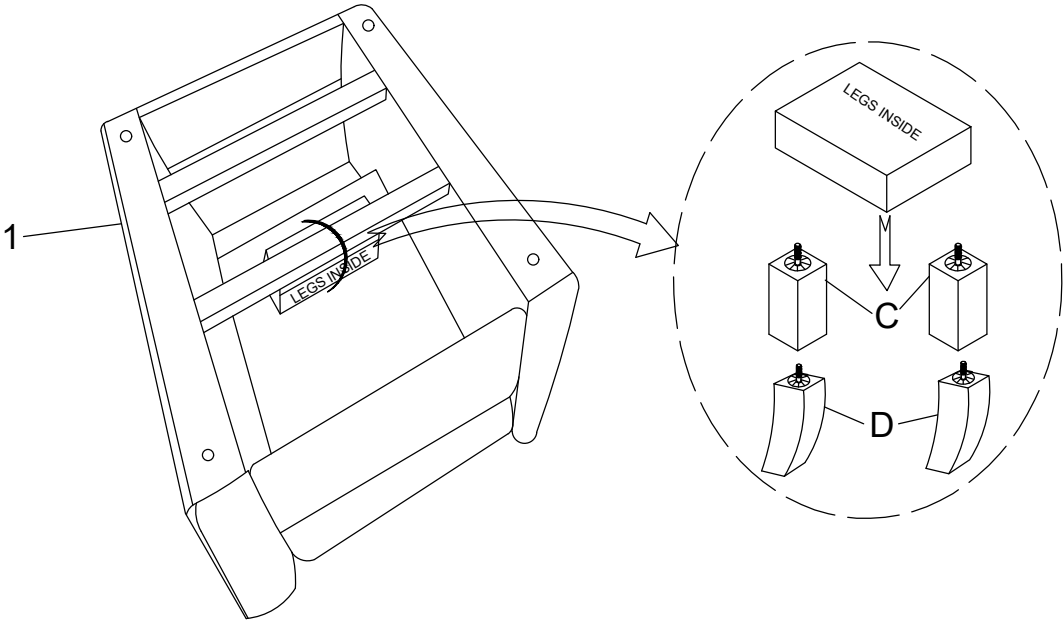
Thank you for purchasing this product. Please take time to read and follow the instructions below. Check that you have all parts and hardware before assembly. Parts apparently missing are often found in the packing materials. If you do not have all the parts listed, have your dealer contact us and they be sent to you immediately.



It is recommended to install protective pads under all legs and support to avoid damage or scratches when placing furniture on a wood floor or other hard surface, and to limit Indentation and prevent discoloration if placing on carpet.

PARTS LIST			
NO.	DESCRIPTION	DRAWING	QTY
A		SEAT	1 PC
B		BACK	1 PC
C		WOODEN FRONT LEG 6.25"×1.75"×1.75"	2 PCS
D		WOODEN REAR LEG 6.25"×2.25"×1.5"	2 PCS

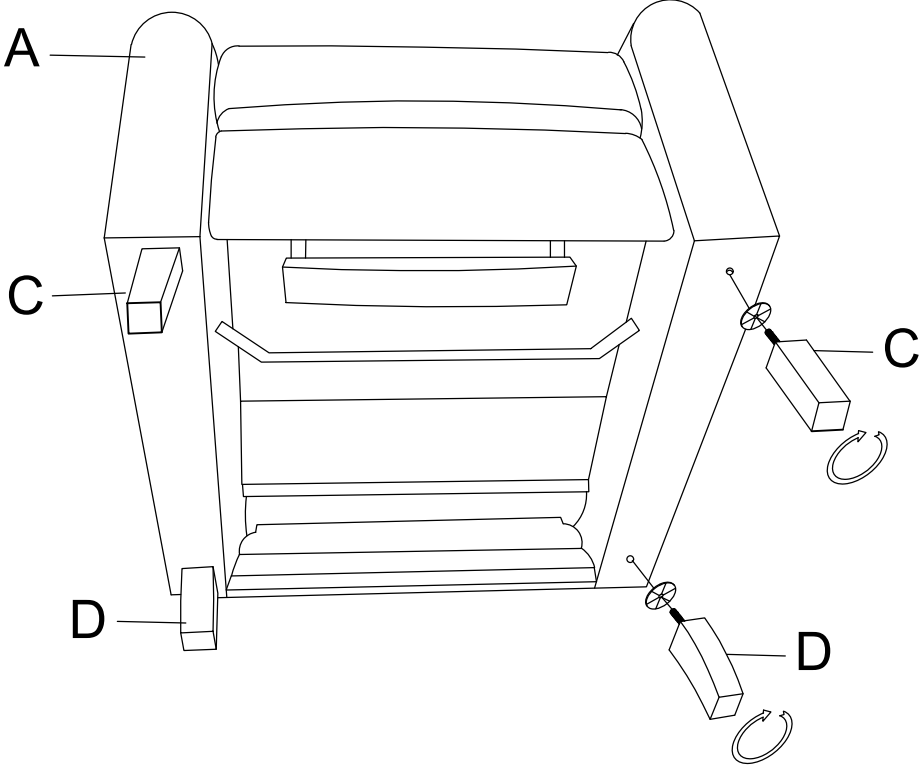
STEP 1:



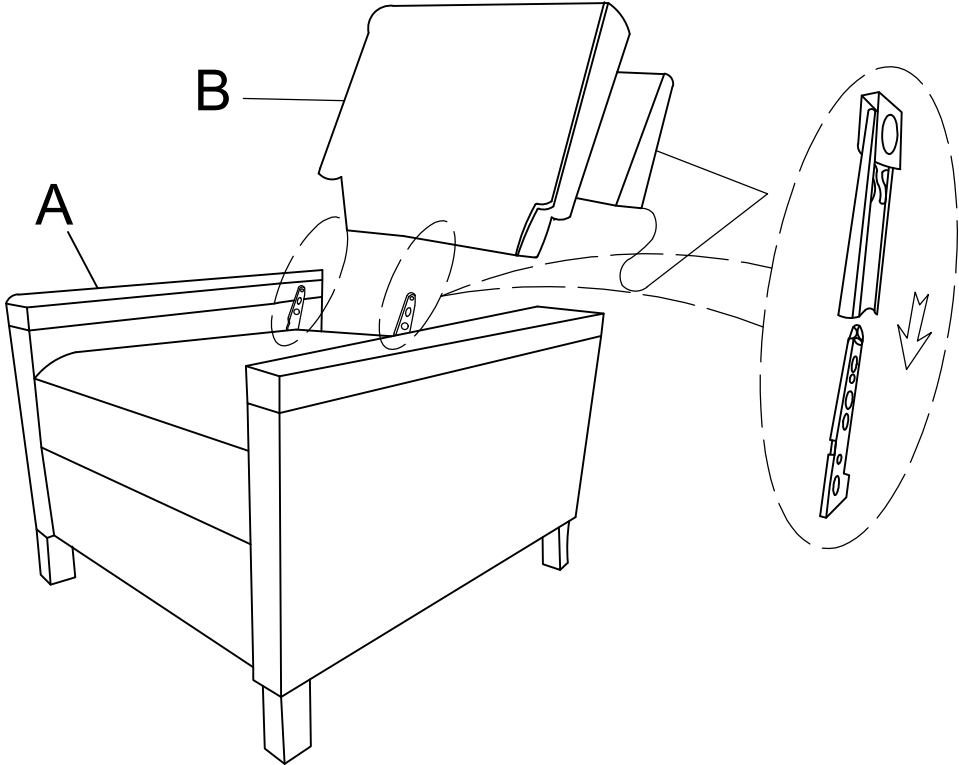
ASSEMBLY INSTRUCTIONS

Push Back Reclining Chair

STEP 2:



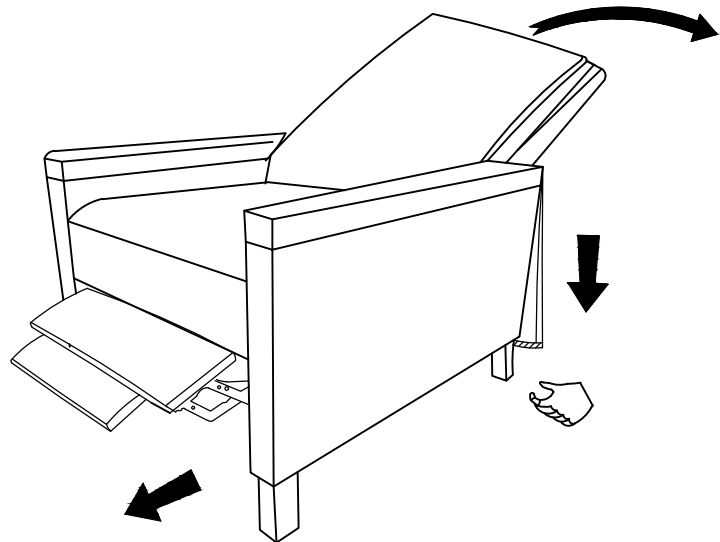
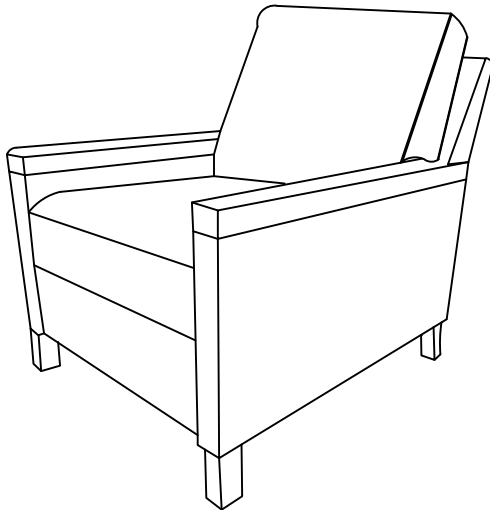
STEP 3:



ASSEMBLY INSTRUCTIONS

Push Back Reclining Chair

STEP 4:



Care Instruction for Textured Furniture:

In order to maintain the original appearance of your Textured Furniture, please follow below simple care procedures:

- Avoid exposing furniture directly to sunlight or heating and air conditioning outlets. Sunlight and or exposure to heating and air conditioning outlets will fade/damage Textured.
- Vacuum or wipe with a soft cloth to remove dust.
- Hardware may loosen over time. Periodically check to make sure all connection are tight, Re-tighten if necessary.



For items use on wooden floor, hard surfaces or carpets, it is recommended to Install protective pads under all legs and supports to avoid/prevent from damages/scratches and discoloration.