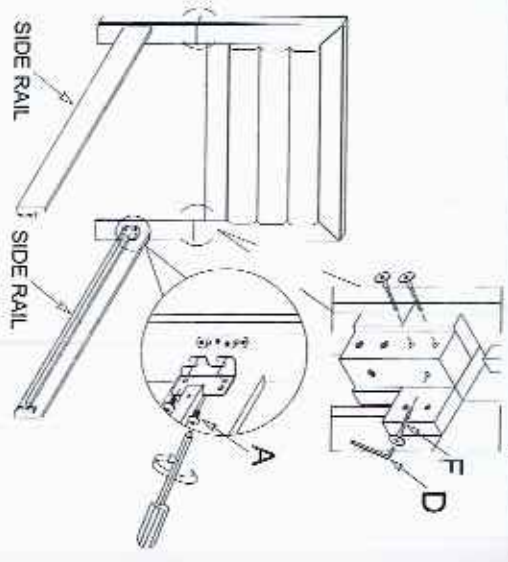


# ASSEMBLY INSTRUCTION

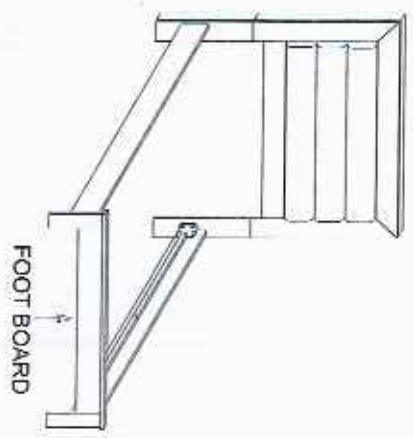
## TWIN BED 39" X 75"

Before you begin, please read Assembly Instruction carefully and recognized the part and hardware. Then follow them step by step.

### STEP 1.



### STEP 2.

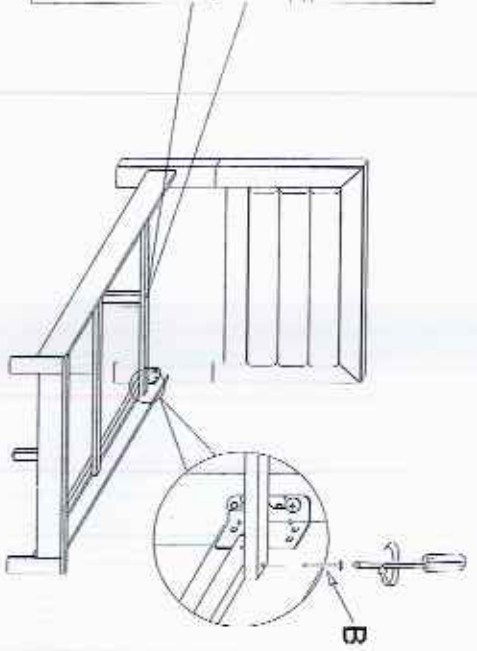
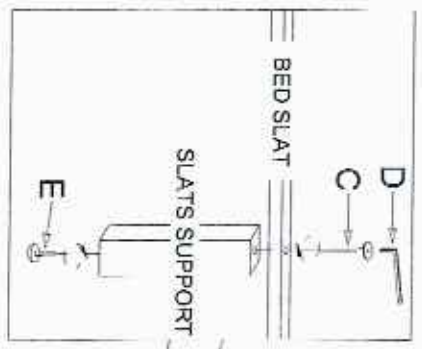


TIPS: REPEAT STEP 1 TO JOINT FOOT BOARD.

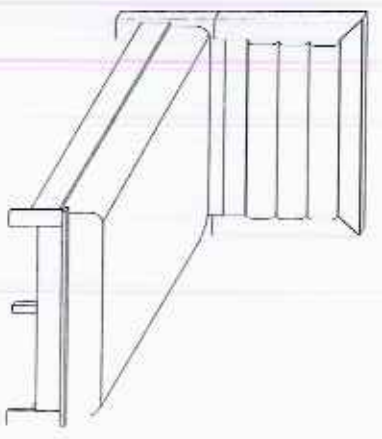
NO	HARDWARE DESCRIPTION	QTY
A.	Screw M6	8PCS
B.	Chipboard Screw M4 x 32mm	6PCS
C.	JCBC Bolt M6 x 40mm	3PCS
D.	Allen Key	1PC
E.	Adjuster Screw M6 x 24mm	3PCS
F.	JCBC Bolt M6 x 60mm	6PCS

SCREW DRIVER NOT PROVIDED !!!

### STEP 3.



### COMPLETE SET



\*\* TOTAL SLAT : 3PCS (WITH JCBC HOLE) + 3PCS (SLATS SUPPORT)