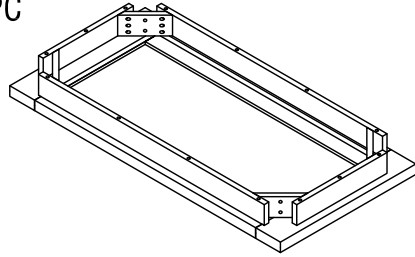
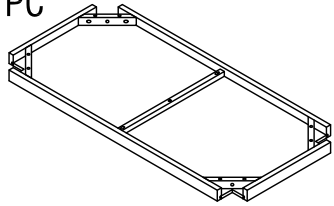


# ASSEMBLY INSTRUCTION COFFEE TABLE

(A)=1PC



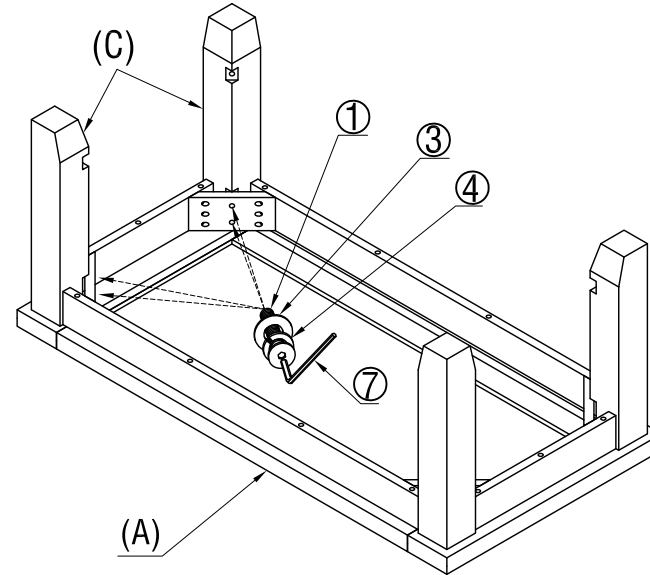
(B)= 01PC



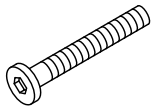
(C)= 04PCS



## Step 1



①



M8 x 60 = 8PCS

②



M6 x 60 = 4PCS

③



1.5mm x Ø8,20 = 8 PCS

④



1.5mm x Ø8 = 8 PCS

⑤



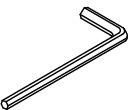
1.5mm x Ø6,15 = 4 PCS

⑥



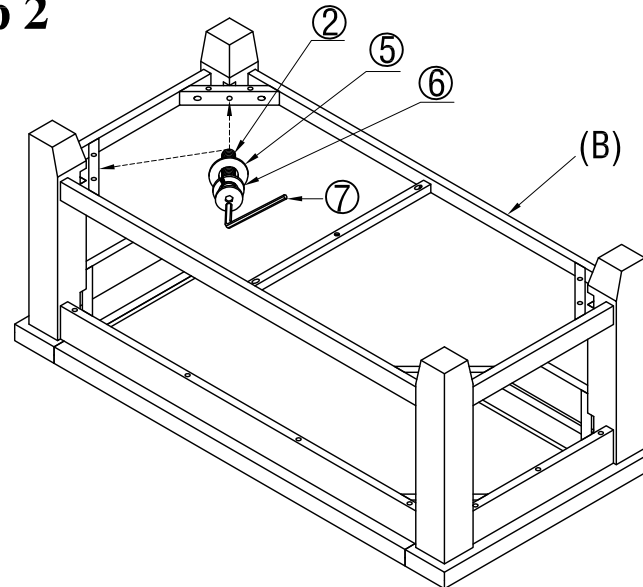
1.5mm x Ø6 = 4 PCS

⑦



4 x 30 x 60 = 1PC

## Step 2



## Step 3

