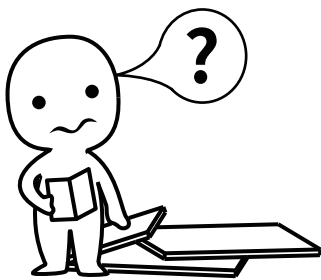


INSTALLATION

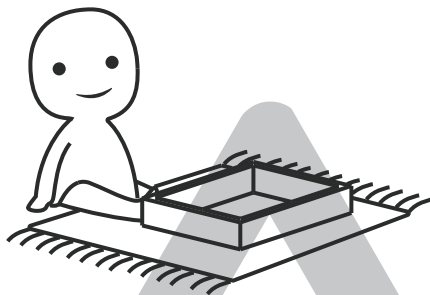
Product Manual

Version: 260179-01-25A-DC



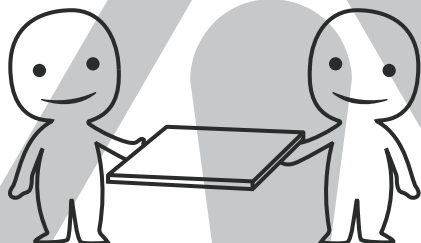
IMPORTANT INFORMATION!

please read the entire manual before starting to assemble and/or using this product. follow the manual thoroughly and keep it for further reference.



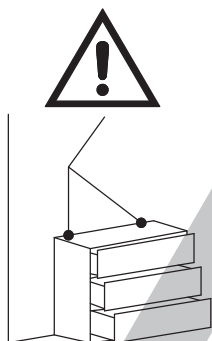
AVOID SCRATCHES!

In order to avoid scratching this furniture should be assembled on a soft layer- could be a rug.



IMPROVE EFFICIENCY !

Try to find a partner to install with you, which can speed up the installation efficiency and shorten the time.



ANTI-TOPPLE WARNING !

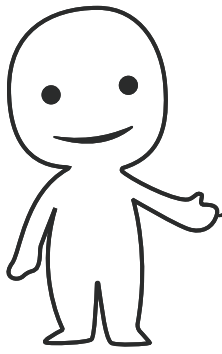
Overturnd furniture can cause serious or fatal crush injuries. To prevent tipping over, be sure to use the wall attachment, if not included with this product. Please purchase the wall attachment that fit your wall. If unsure, seek professional advice. Please read and follow each step of the instructions carefully.

IMPORTANT !

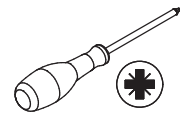
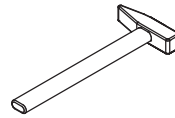
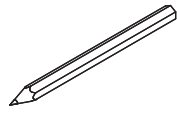
It is important that any product which is assembled using any kind of screw is re-tightened 2 weeks after assembly, and once every 3 months - in order to assure stability through-out the lifespan of the product.

For regular maintenance and cleaning of the product, for the frame, please use a rag dipped in neutral detergent to fully wipe it, and then dry it with a clean rag. For glass materials, wipe with a rag dampened with water glass cleaner, and then dry with a dry rag.

Do not use an electric screwdriver, and do not use too much force when installing, because the board is easy to break.

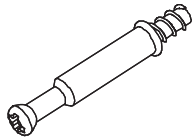


Please prepare the following tools



When installing, please carefully confirm whether each screw corresponds to the manual, accessories with similar shapes can be distinguished by size

A x 77



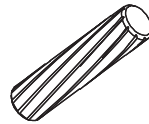
Ø 6 x 35 mm

B x 77



Ø 15 x 10 mm

C x 20



Ø 6 x 30 mm

D x 59



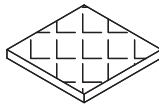
Ø 4 x 35 mm

E x 108

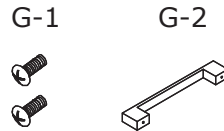


Ø 3.5 x 12 mm

F x 5

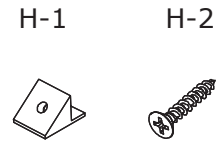


G x 9



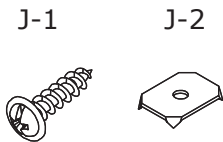
Ø 4 x 8 mm

H x 22



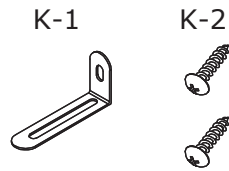
Ø 3 x 14 mm

J x 6



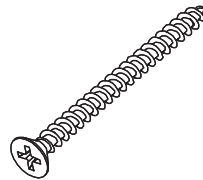
Ø 2.5 x 14 mm

K x 2



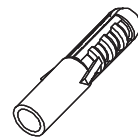
Ø 4 x 12 mm

L x 10

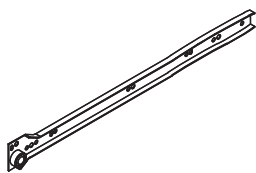


Ø 4 x 50 mm

M x 2

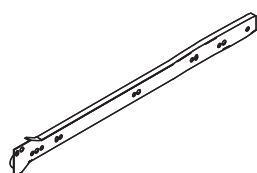


CL x 9



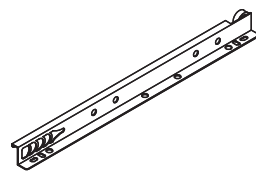
400 mm

CR x 9



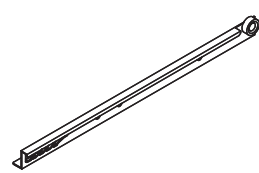
400 mm

DL x 9

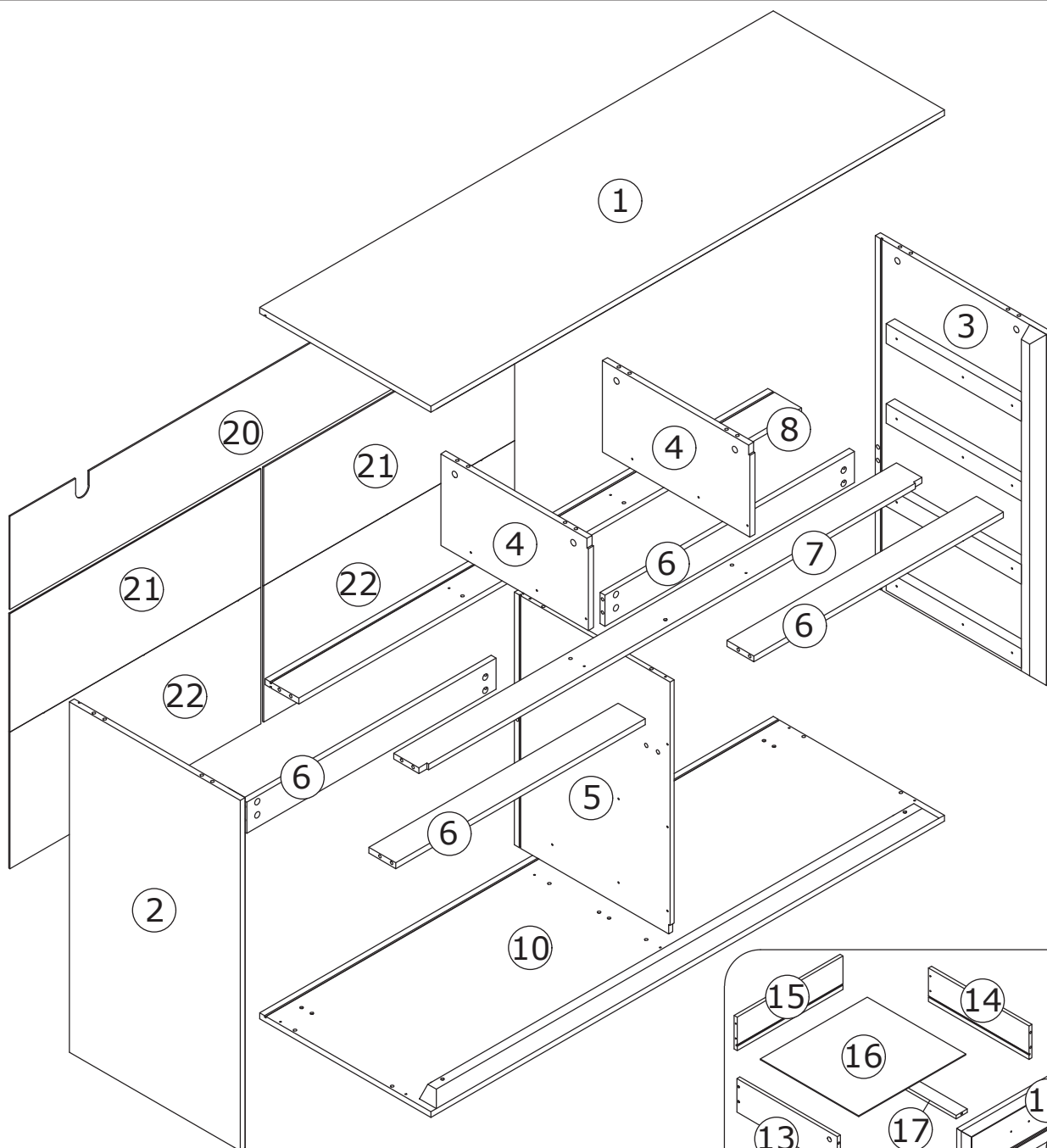


400 mm

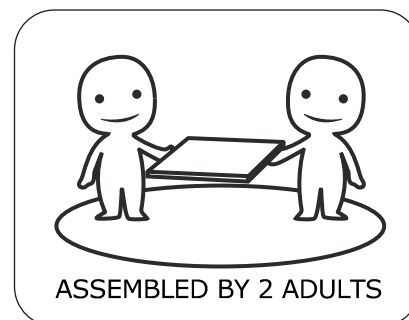
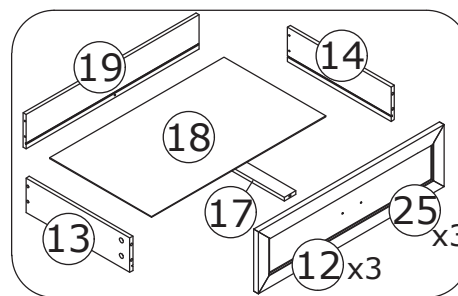
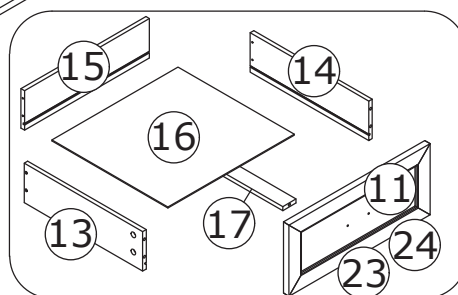
DR x 9



400 mm



 9 x5



⚠ WARNING



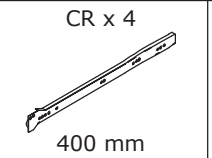
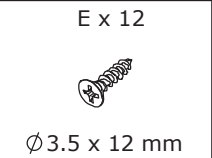
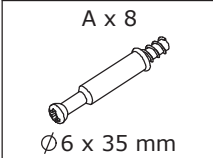
Children have died from furniture tipover. To reduce the risk of furniture tipover:

- ALWAYS install Anti-tip device provided.
- NEVER put a TV on this product.
- NEVER allow children to stand, climb or hang on drawers, doors, or shelves.
- NEVER open more than one drawer at a time.
- Place heaviest items in the lowest drawers.

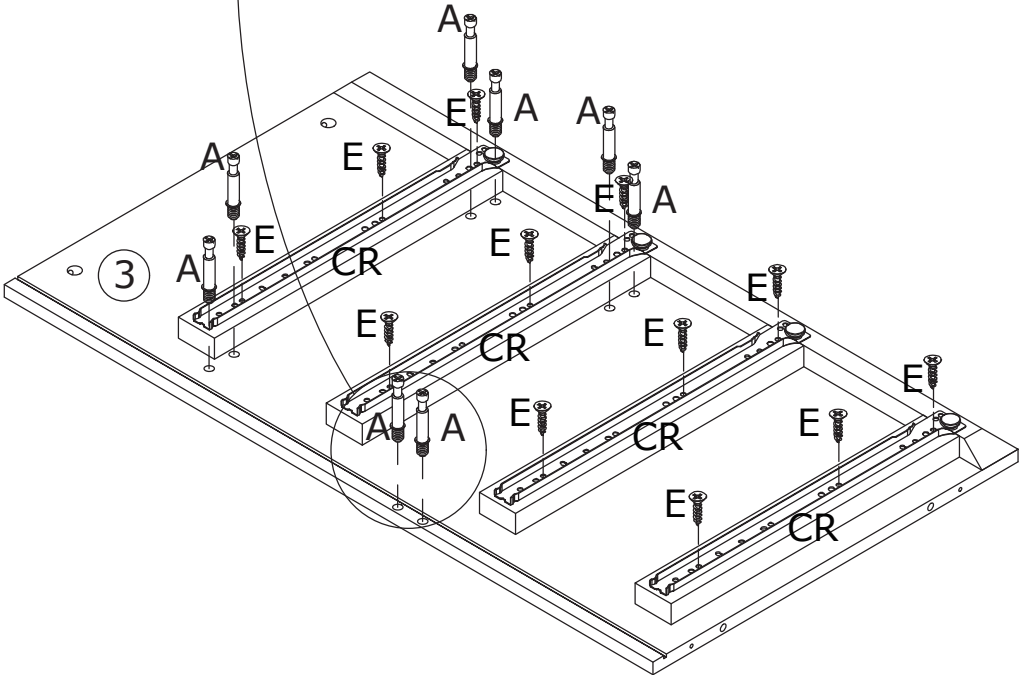
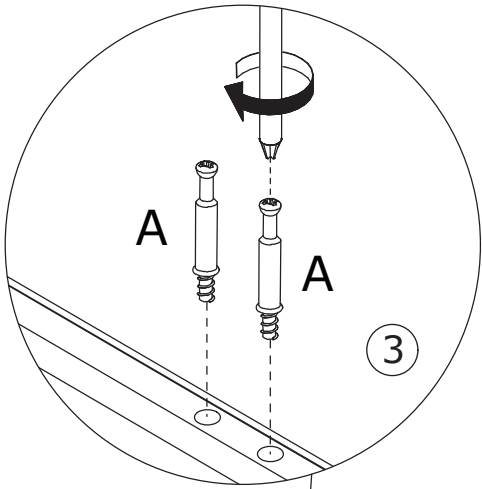
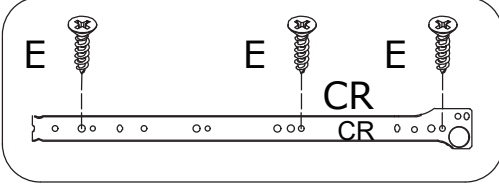
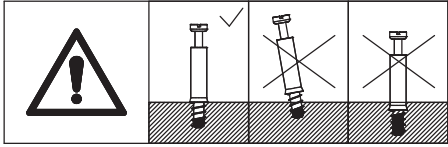
*This is a permanent label.
Do not remove!*



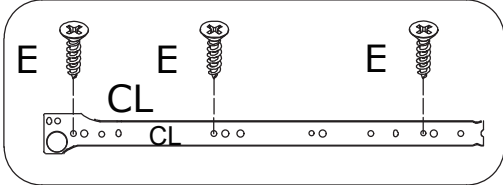
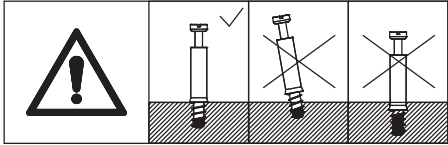
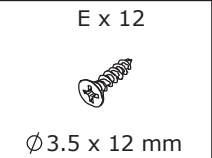
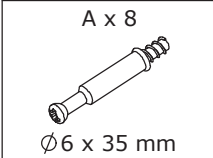
1



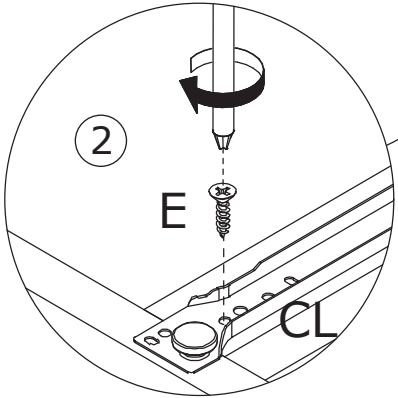
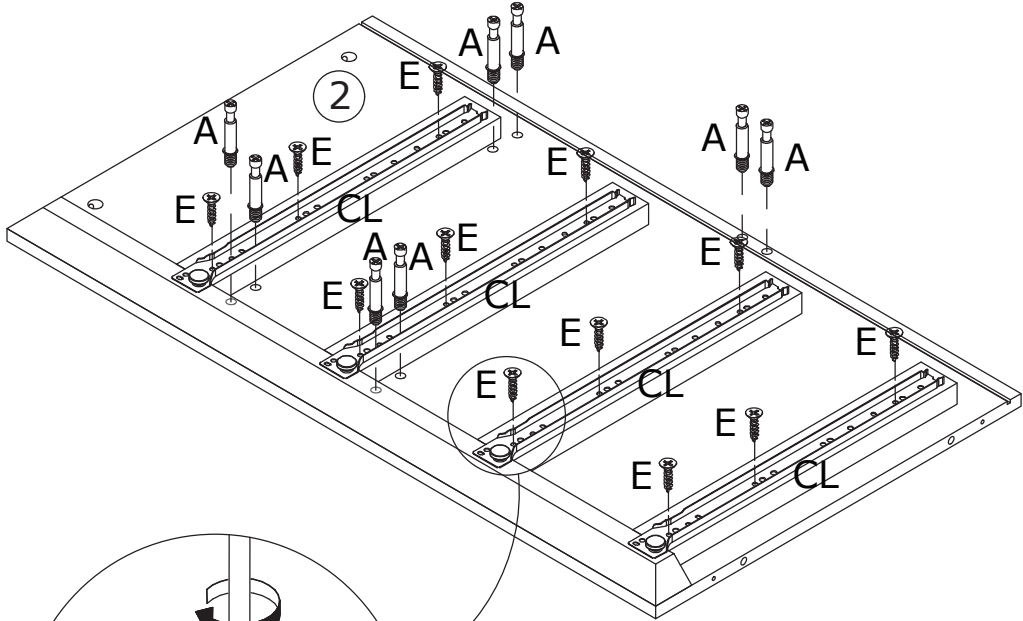
Secure rail CR to plate 3 using screws E as shown in the diagram.
Lock positioning rod A to plate 3 as shown.



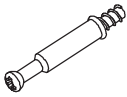

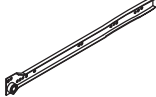
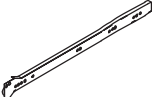
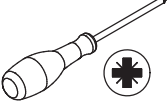
2



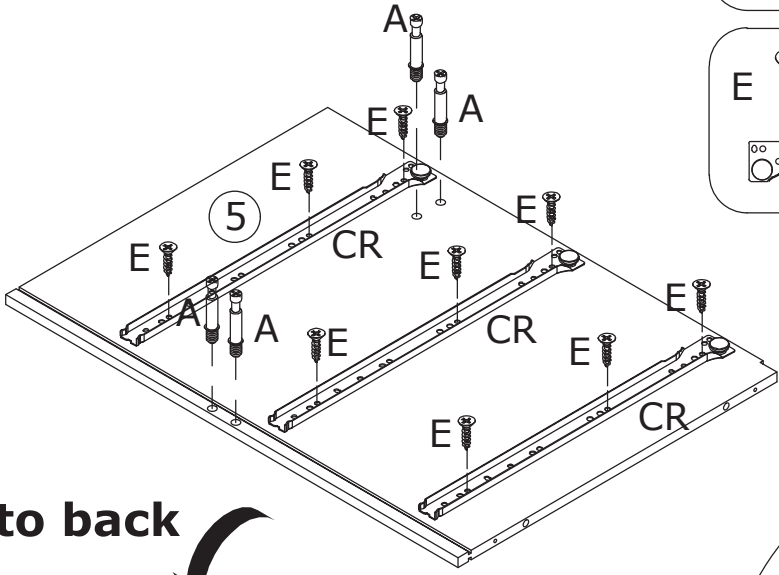
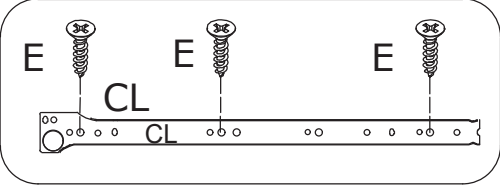
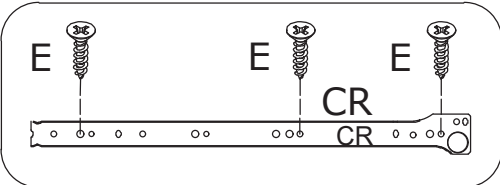
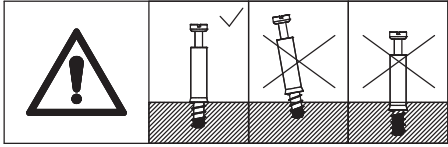
Secure rail CL to plate 2 using screws E as shown in the diagram.
Lock positioning rod A to plate 2 as shown.



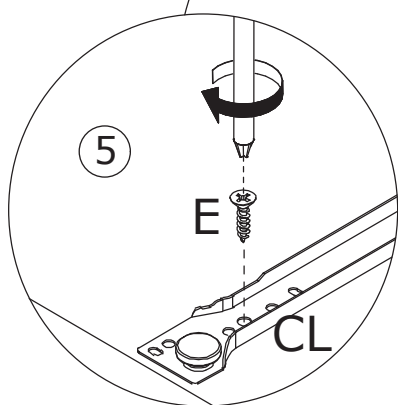
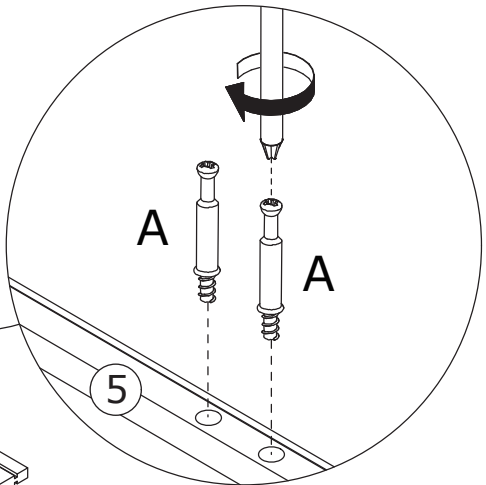
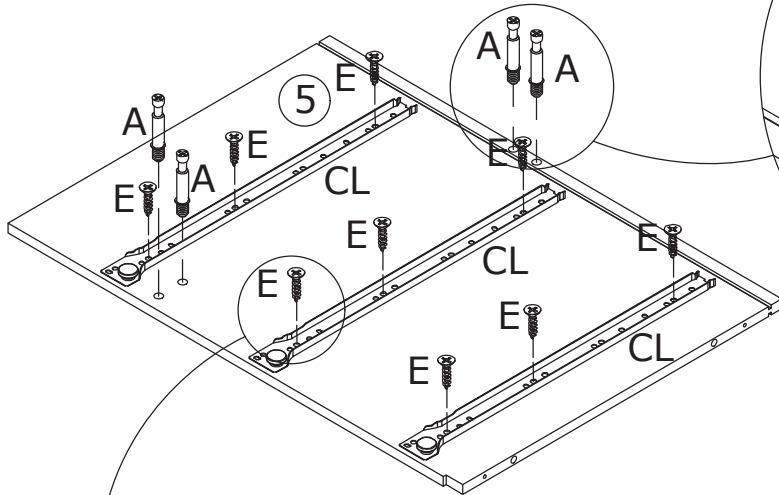
3

<p>A x 8  Ø6 x 35 mm</p>	<p>E x 18  Ø3.5 x 12 mm</p>	<p>CL x 3  400 mm</p>	<p>CR x 3  400 mm</p>	
---	--	--	---	---

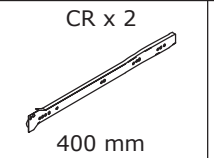
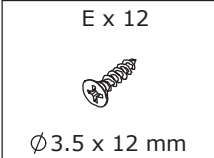
Secure rail CR and CL to plates 5 using screws E as shown.
Lock positioning rod A to plate 5 as shown in the diagram.



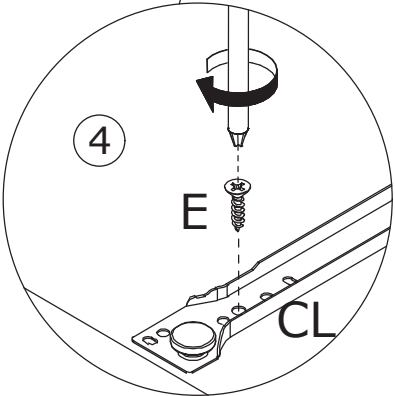
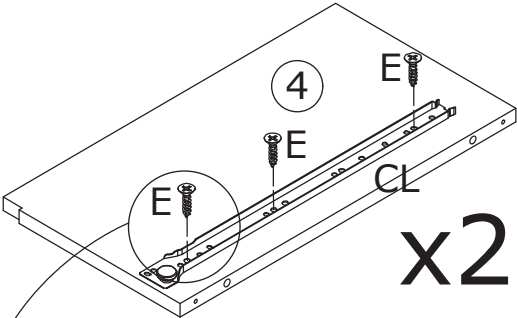
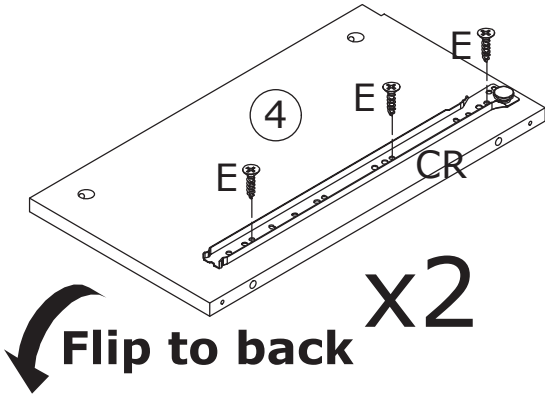
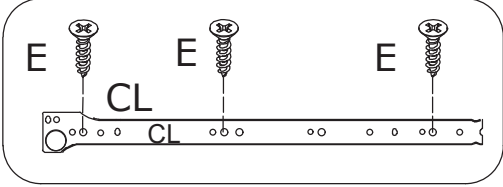
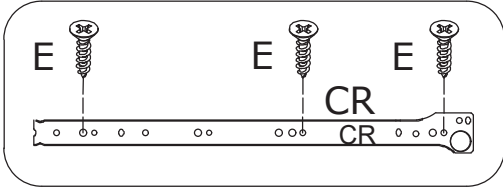
Flip to back



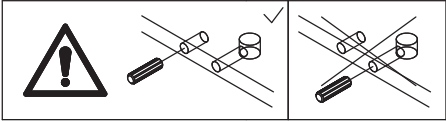
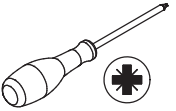
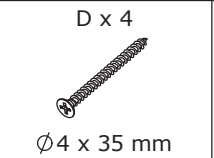
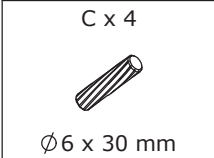
4



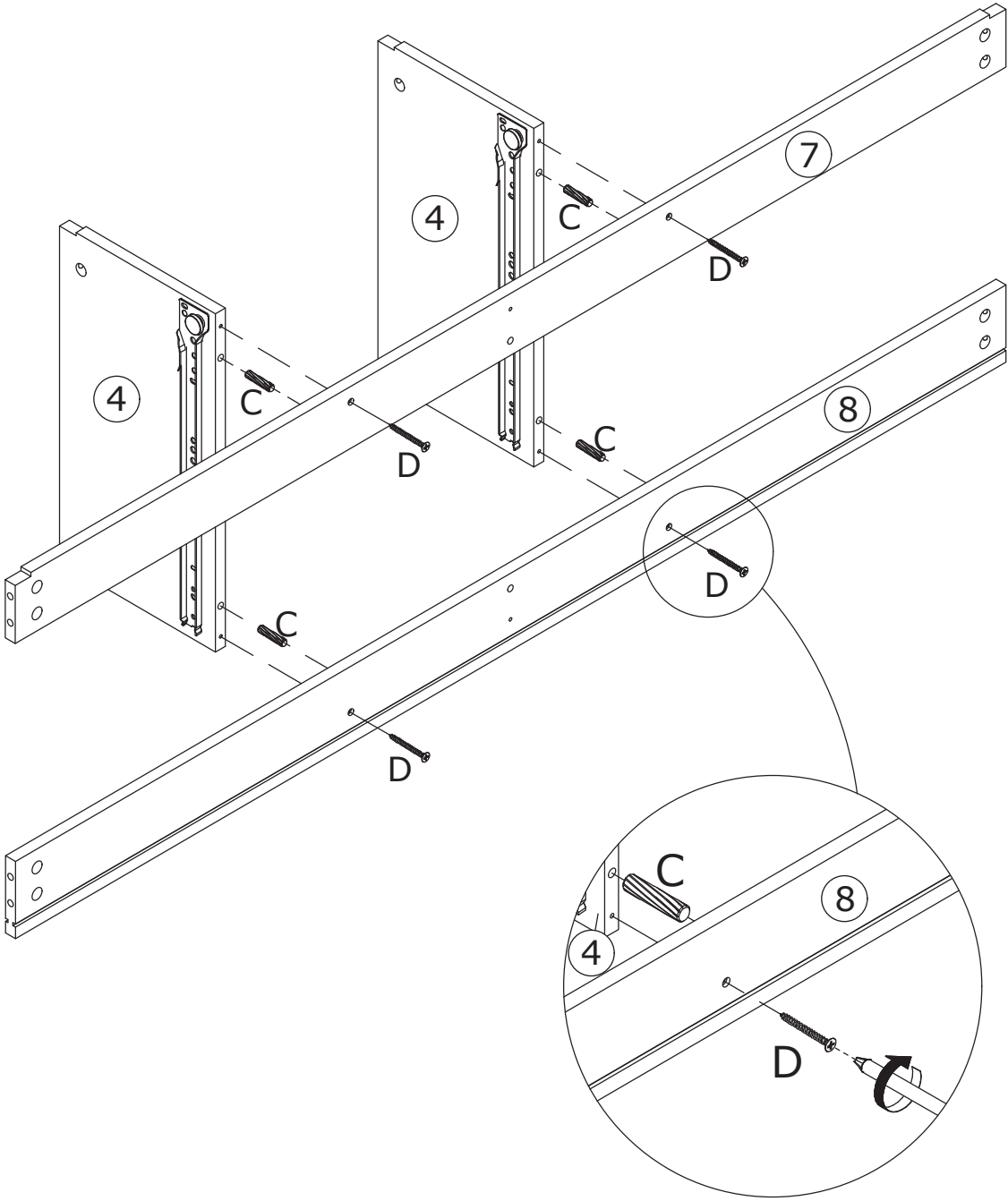
Secure rail CR and CL to plates 5 using screws E as shown.



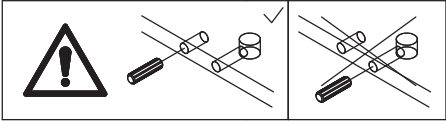
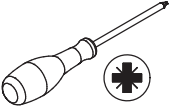
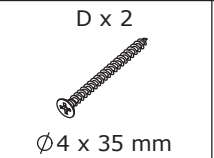
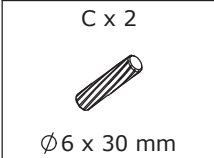
5



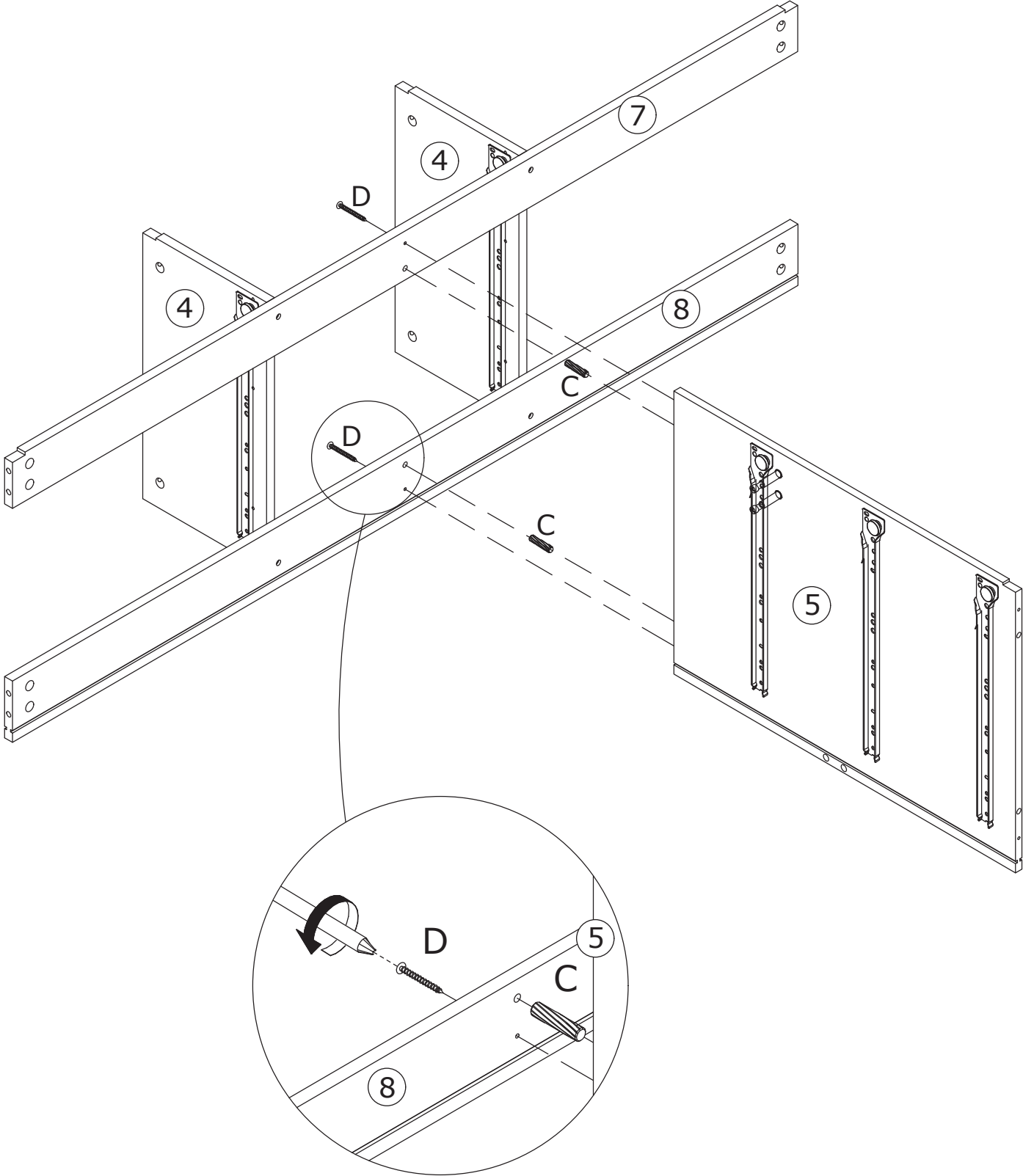
Insert dowels C into plates 7 and 8 as shown.
Connect plates 7 and 8 to plate 4 using screws D
as shown in the diagram.



6

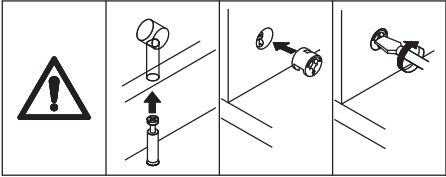
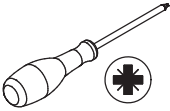


Insert dowels C into plate 5 as shown.
Connect plates 7 and 8 to plate 5 using
screws D as shown in the diagram.

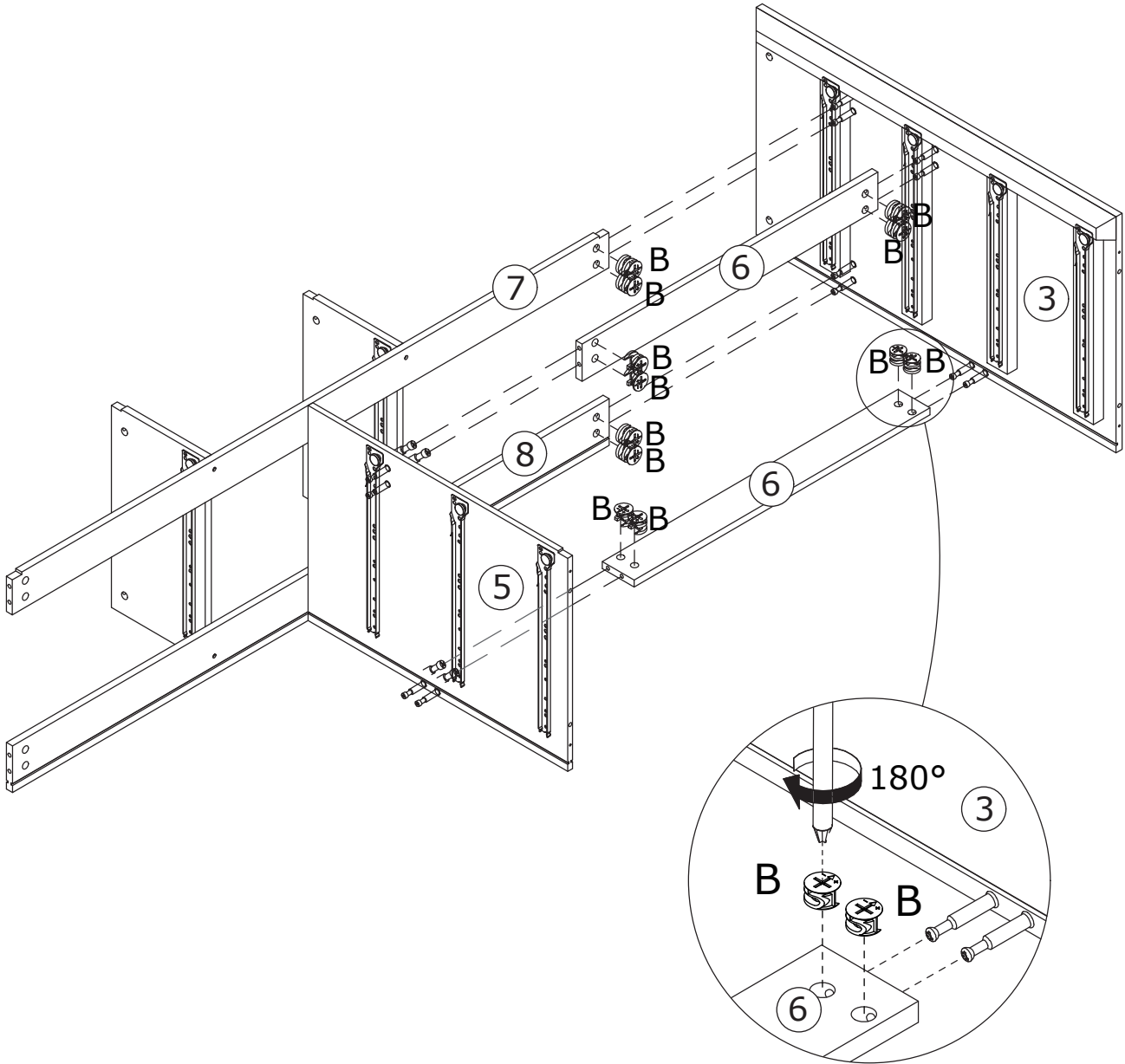


7

B x 12
Ø15 x 10 mm

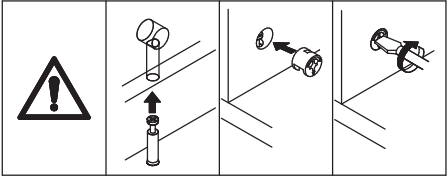
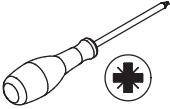


Connect two plates 6 to plate 3 and 5 using cam locks B, then secure them as shown.
Connect plates 7 and 8 to plate 3 using cam locks B, then secure them as shown.

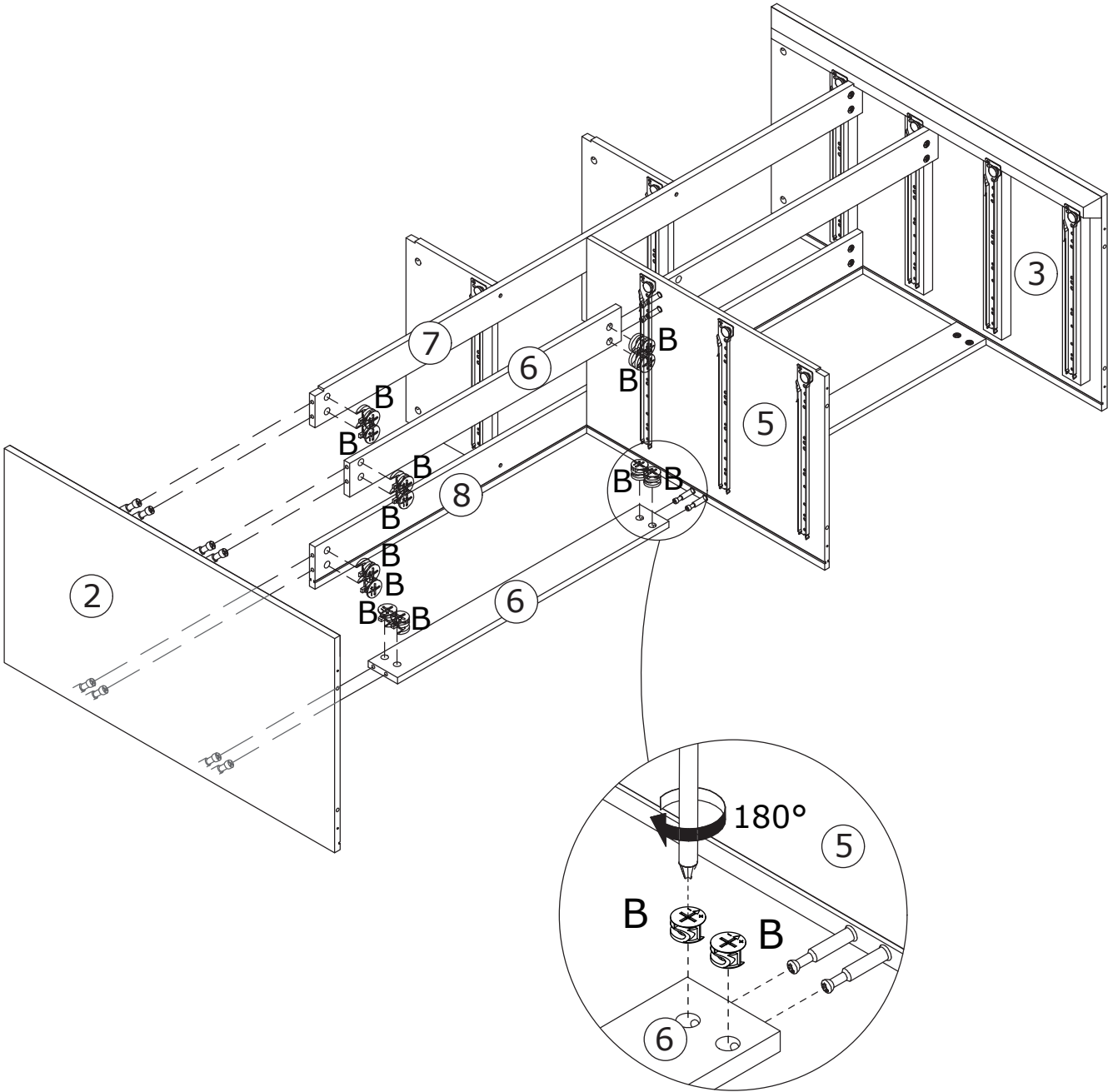


8

B x 12
Ø15 x 10 mm

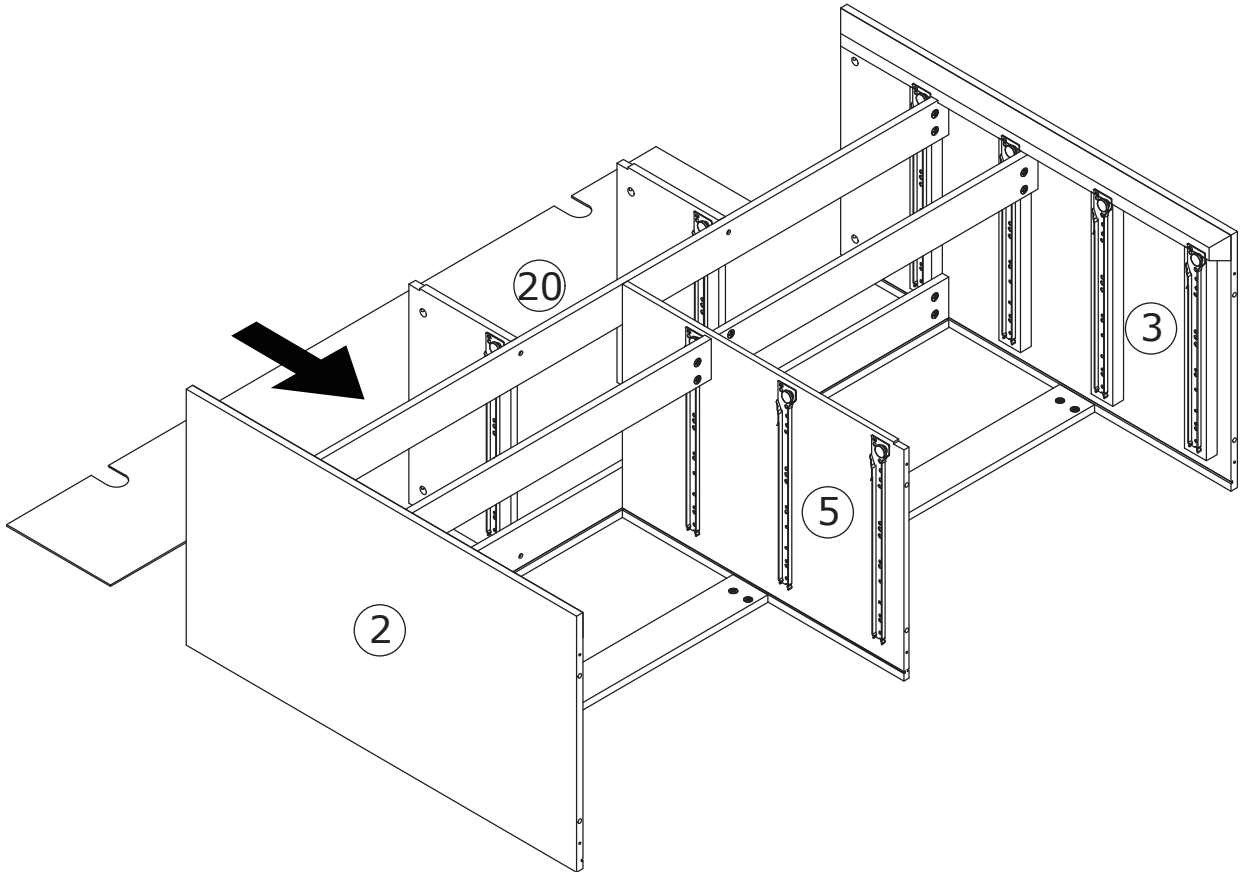


Connect two plates 6 to plate 5 and 2 using cam locks B, then secure them as shown.
Connect plates 7 and 8 to plate 2 using cam locks B, then secure them as shown.

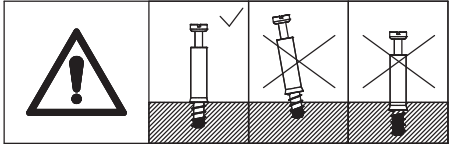


9

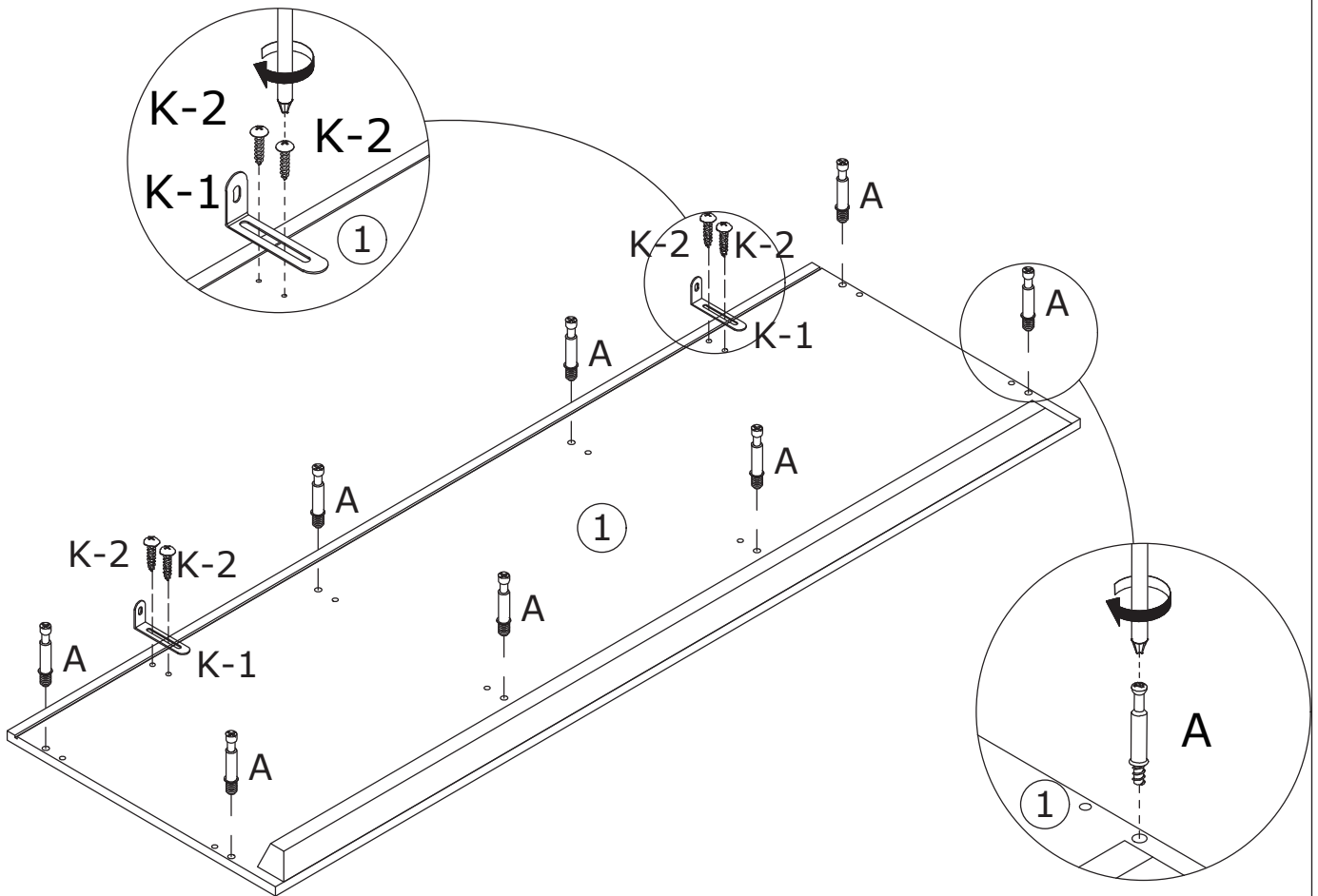
Insert back panel 20 into slots as shown in the diagram.



10



Lock positioning rod A to plate 1 as shown.
Secure anti-tip bracket K-1 to plate 1 using
screws K-2 as shown in the diagram.



11

B x 8

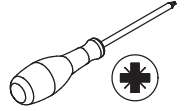


Ø15 x 10 mm

C x 8

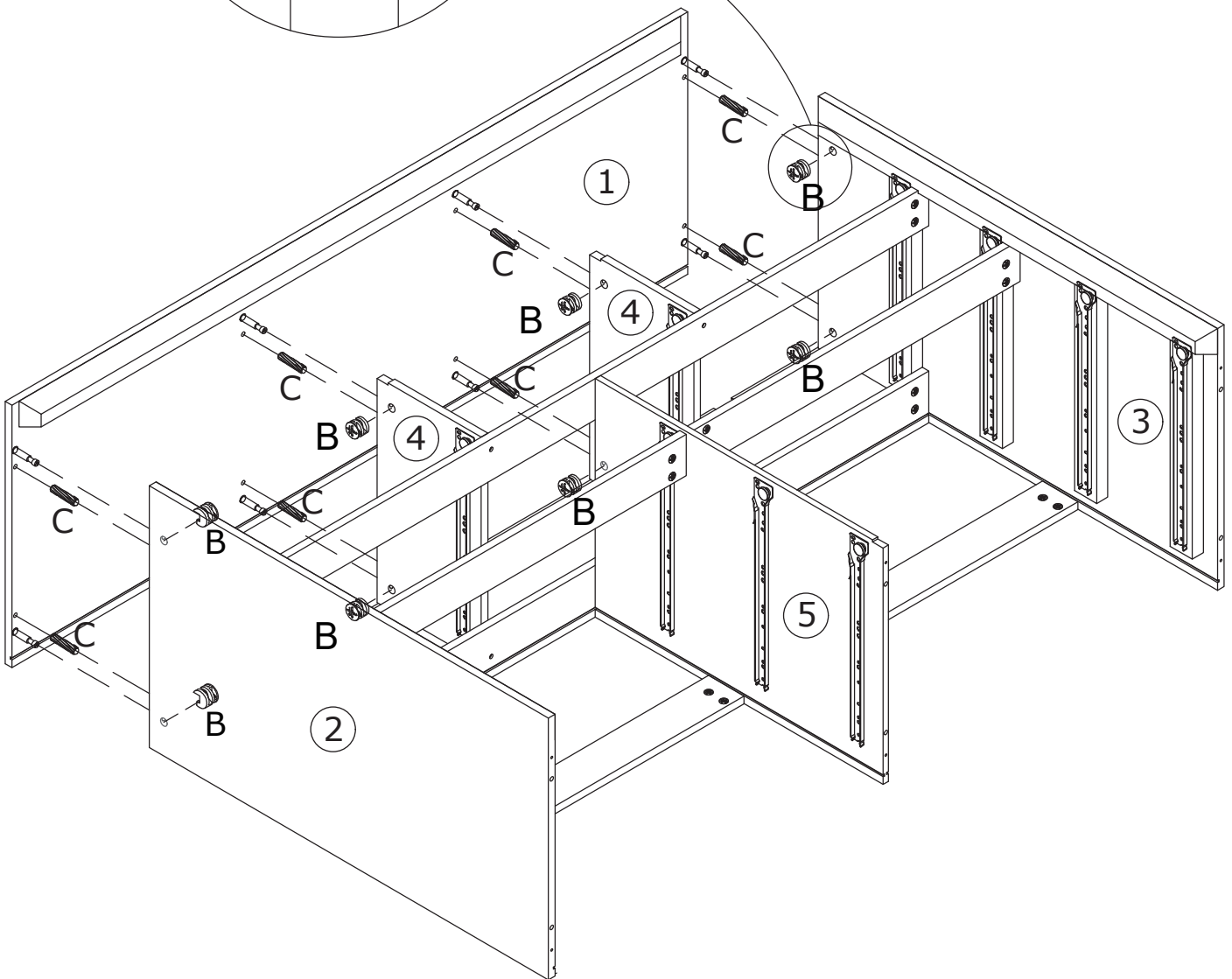
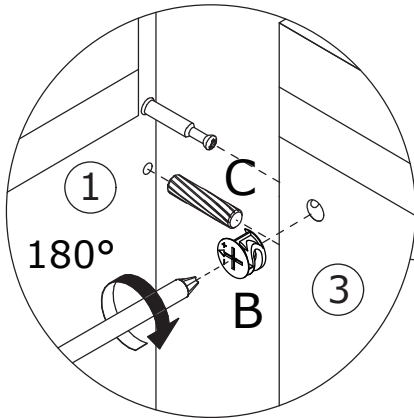
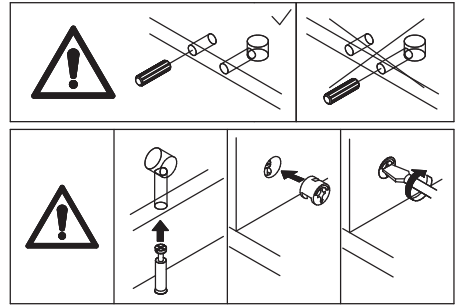


Ø6 x 30 mm



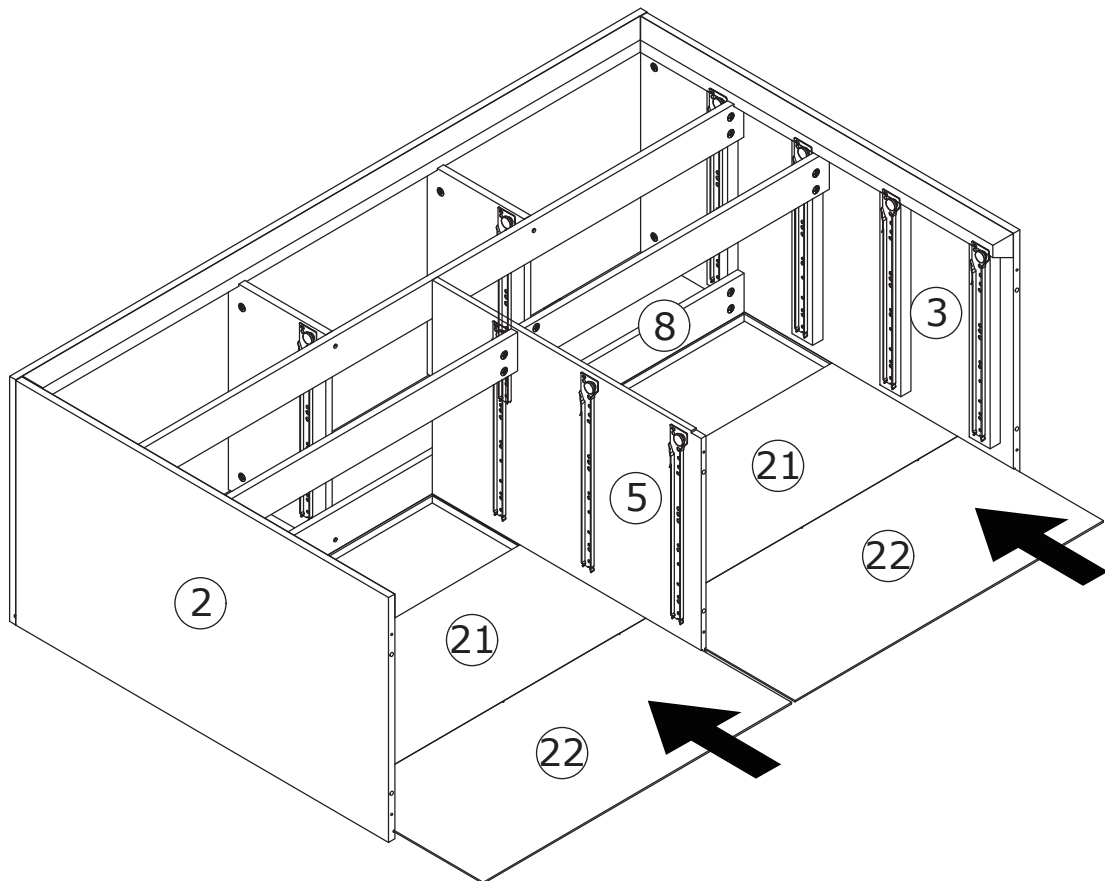
Insert dowels C into plates 2, 3 and 4 at first.

Connect plates 2, 3 and 4 to plate 1 using cam locks B, then secure them as shown in the diagram.

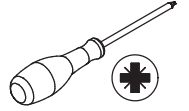
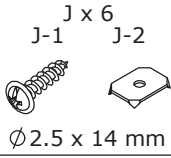


12

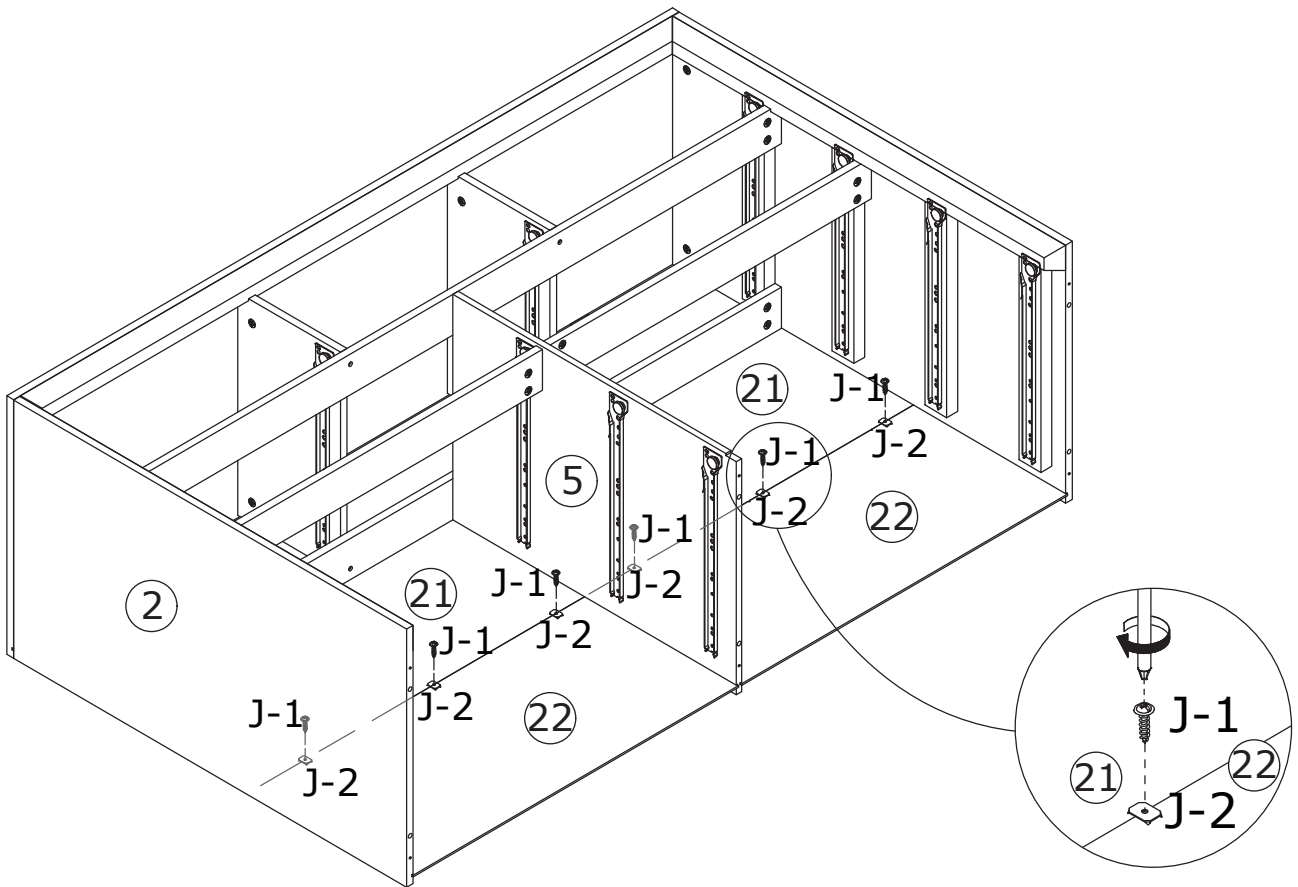
Insert back panels 21 and 22 into the slots as shown in the diagram.



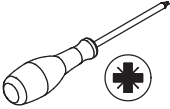
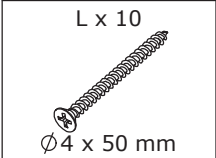
13



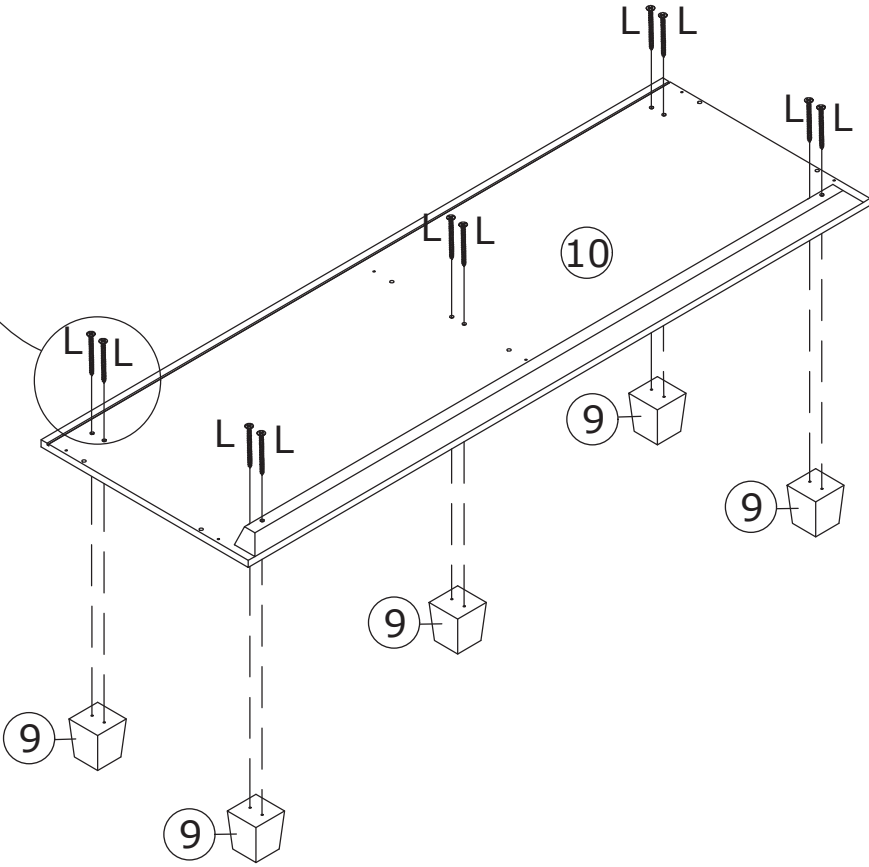
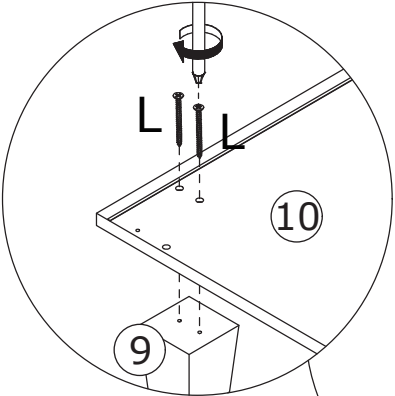
Connect back panels 21 and 22 to the cabinet using screws J-1 and metal sheet J-2 as shown in the diagram.



14



Connect plate 10 to foot 9 using screws L as shown in the diagram.



15

C x 6



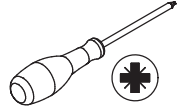
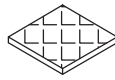
∅6 x 30 mm

D x 6



∅4 x 35 mm

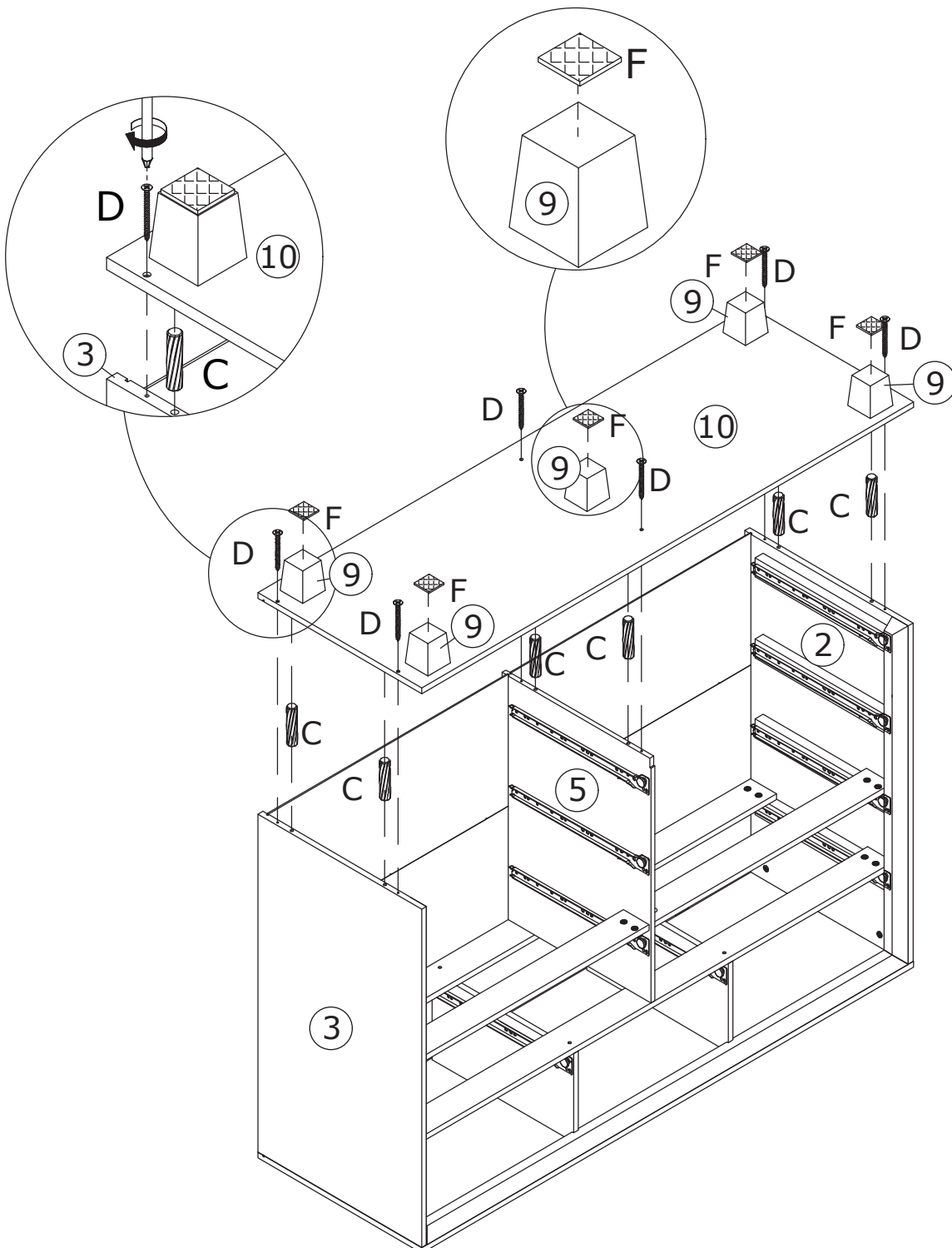
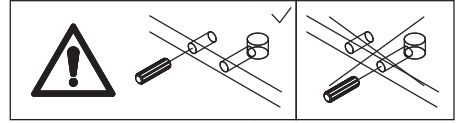
F x 5



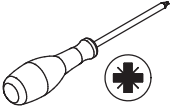
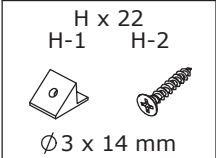
Insert dowels C into plates 2, 3 and 5 as shown.

Connect plate 10 to plates 2, 3 and 5 using screws D as shown in the diagram.

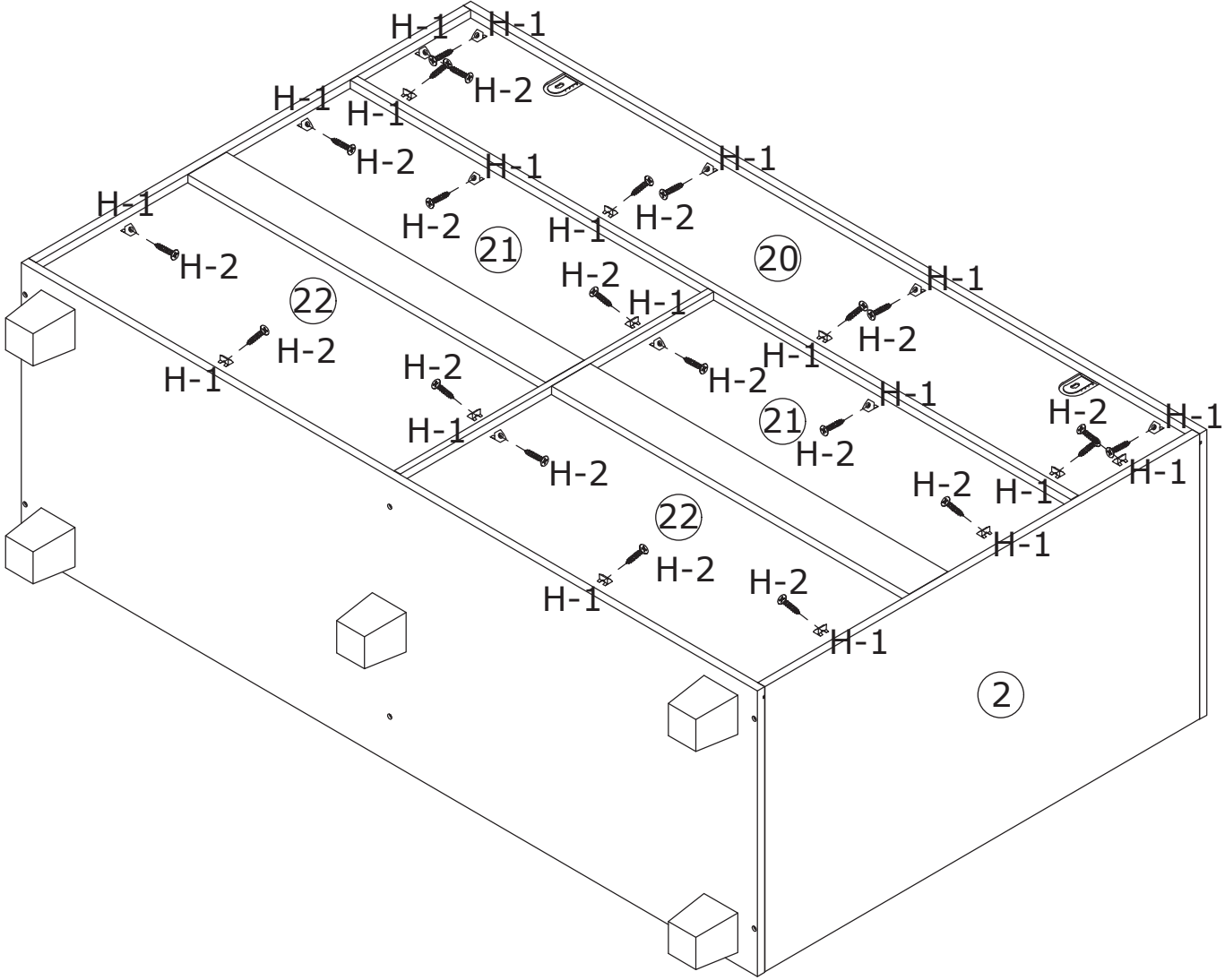
Attach foot pads F to foot 9.



16

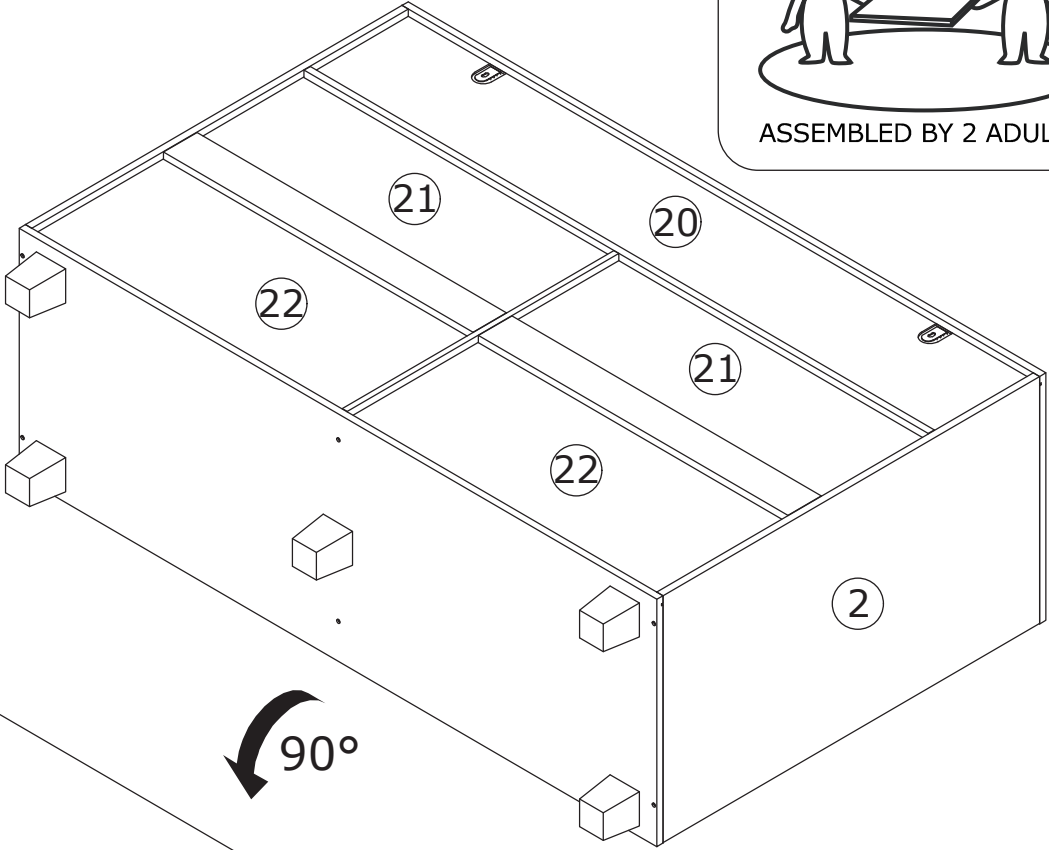
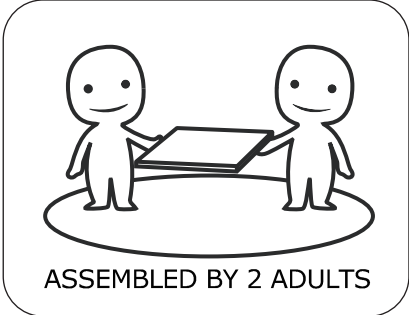


Secure back panels 20, 21 and 22 to the cabinet using screws H-2 and back panel clips H-1 as shown in the diagram.

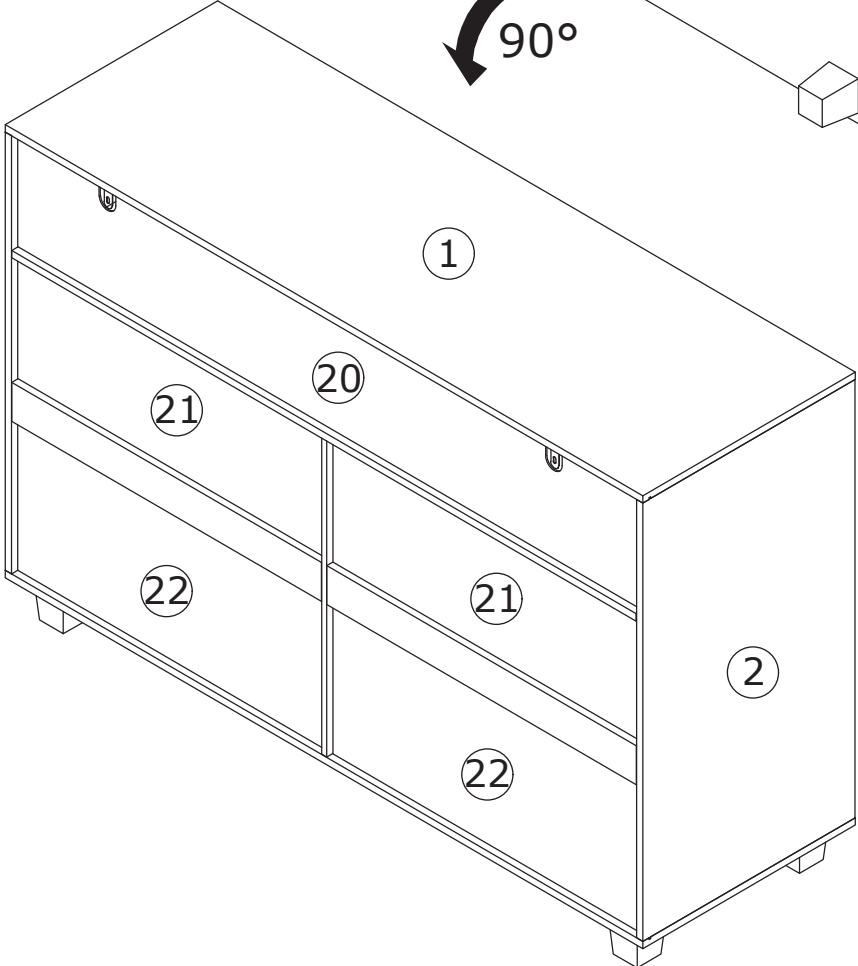


17

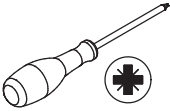
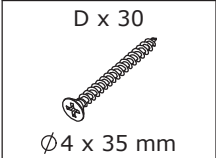
This step requires at least 2 people to lift the cabinet upright.



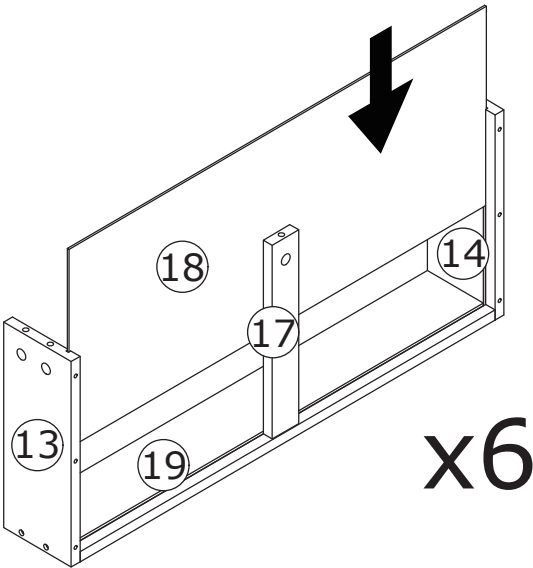
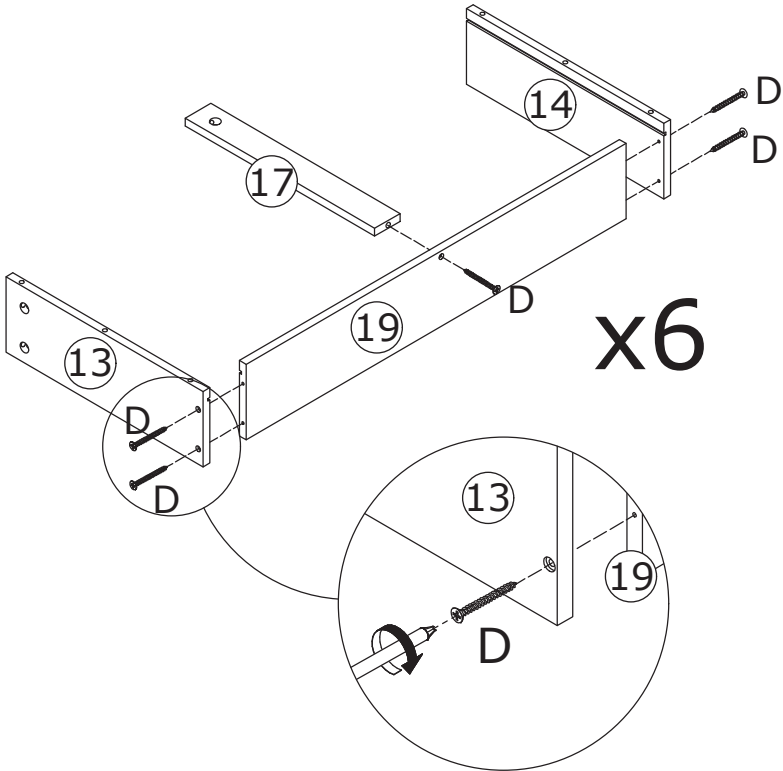
90°



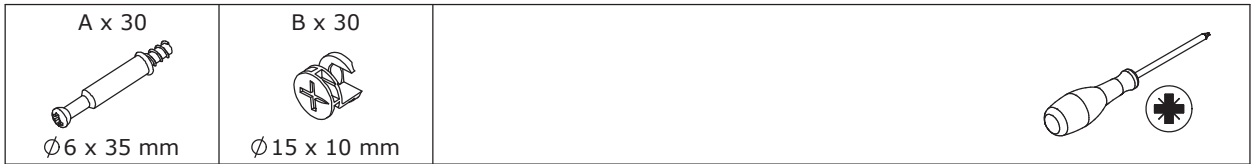
18



Connect plate 19 to plates 13, 14 and 17 using screws D as shown.
Insert drawer base 18 into the slots.

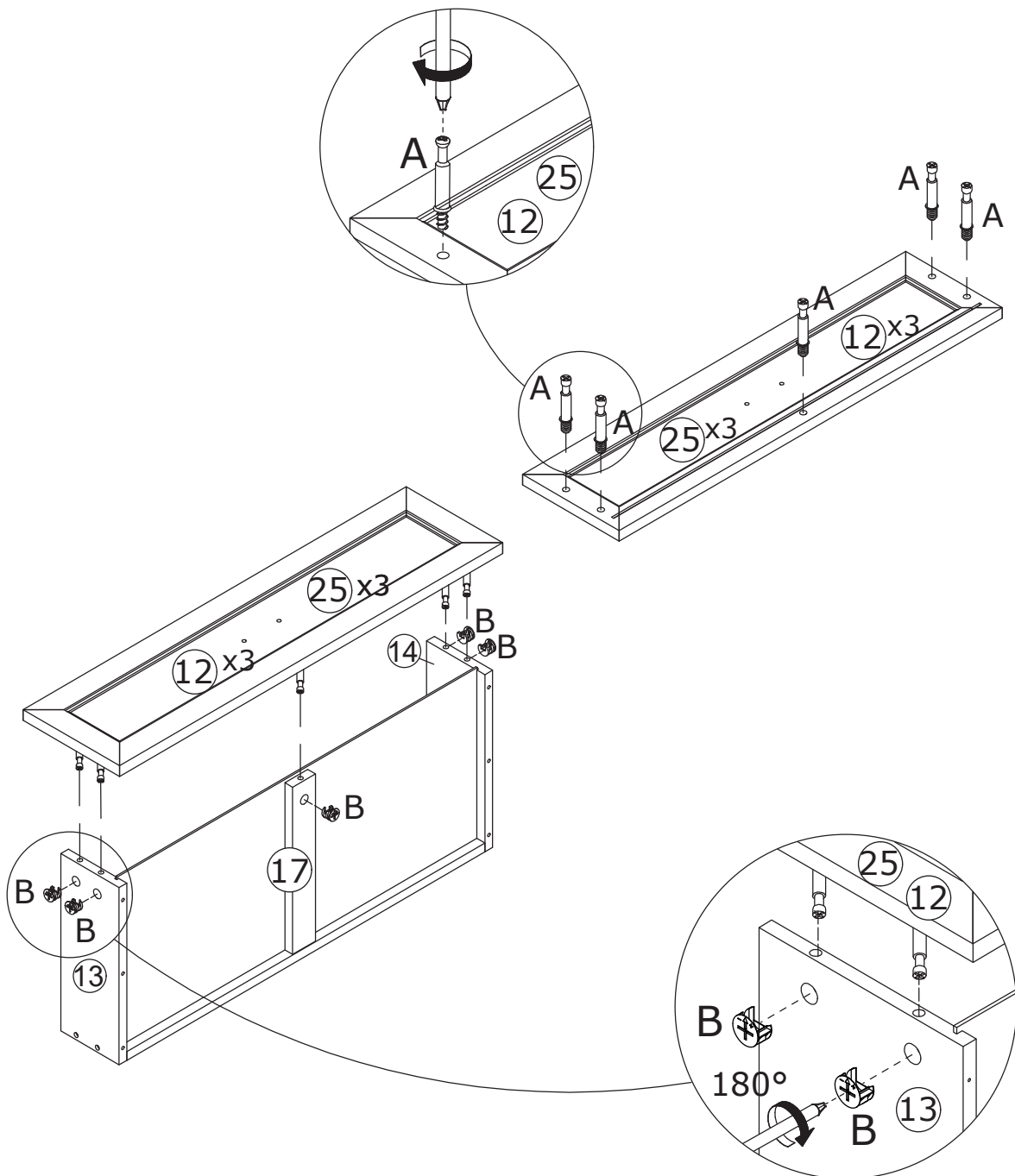
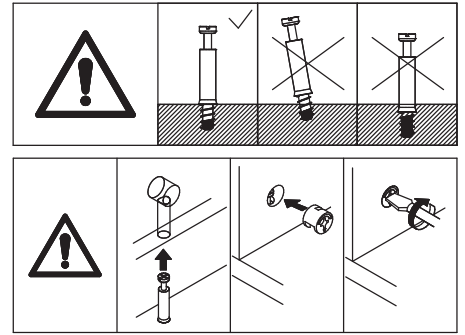


19

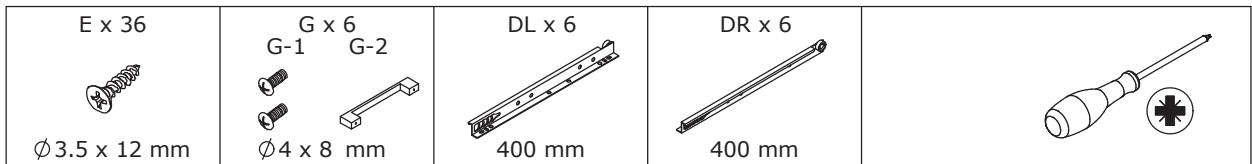


Lock positioning rod A to plate 12 and 25 as shown.

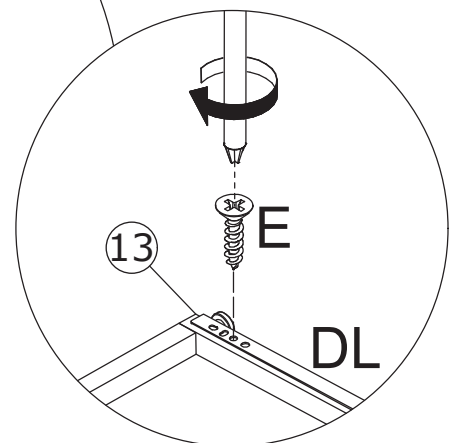
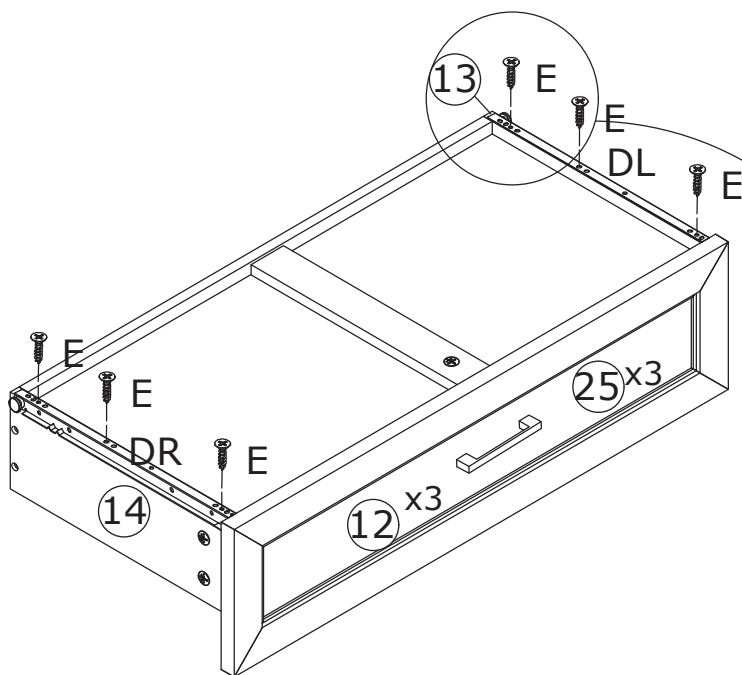
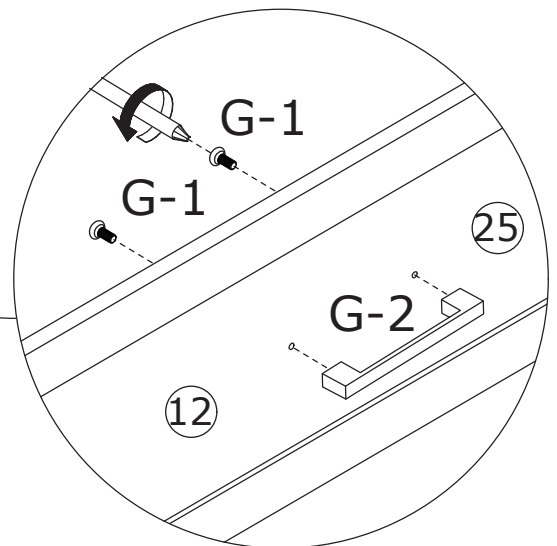
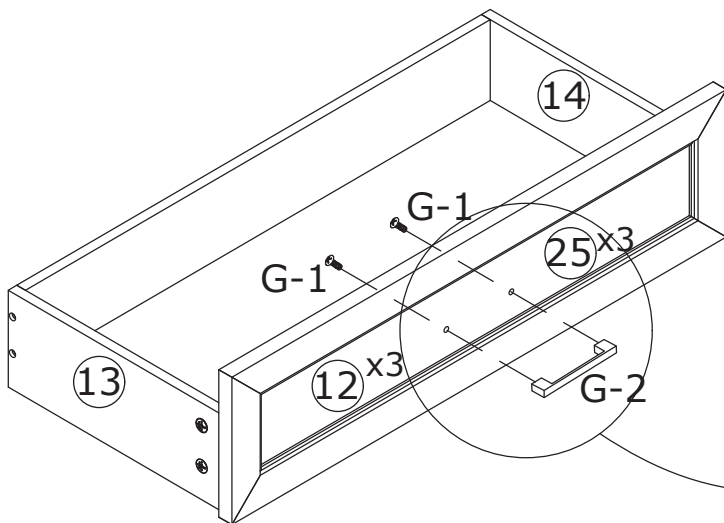
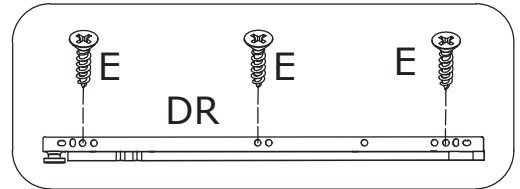
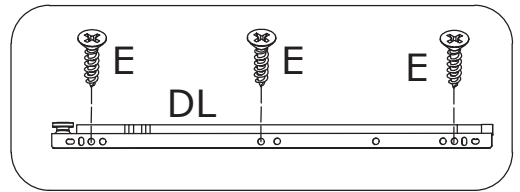
Connect plates 13, 14 and 17 to plate 12 and 25 using cam locks B, then secure them as shown in the diagram.



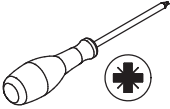
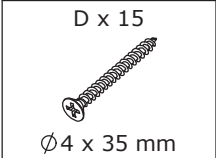
20



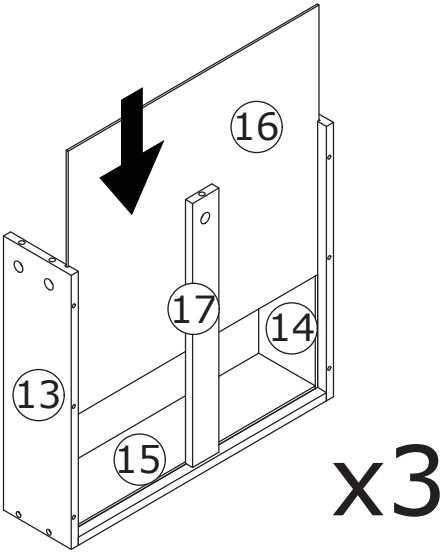
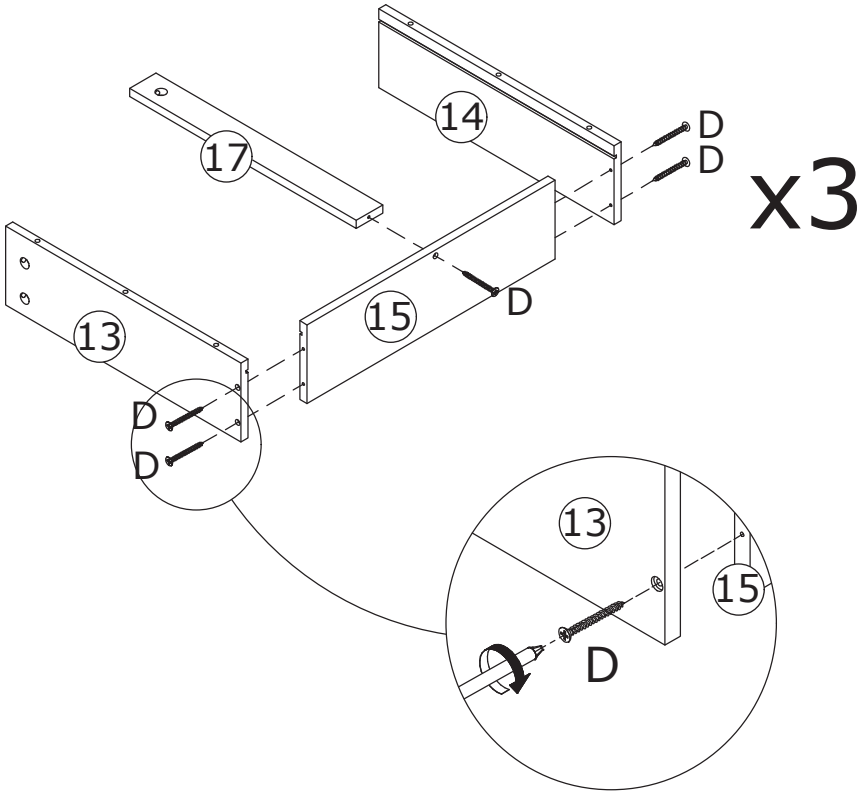
Secure handle G-2 to plate 12 and 25 using handle screws G-1.
Secure rail DL and DR to plate 13 and 14 using screws E as shown.



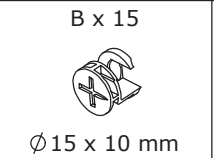
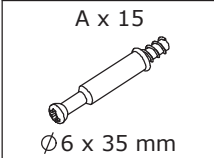
21



Connect plate 15 to plates 13, 14 and 17 using screws D as shown.
Insert drawer base 16 into the slots.

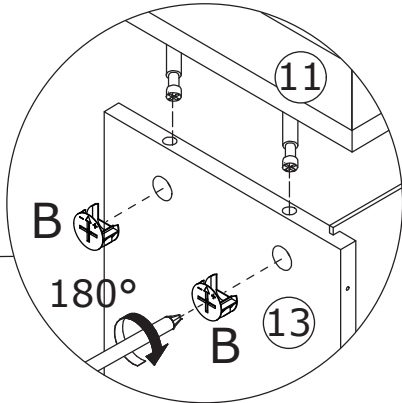
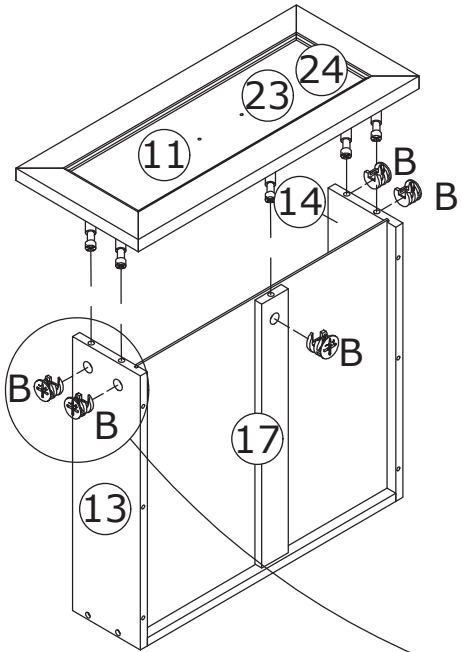
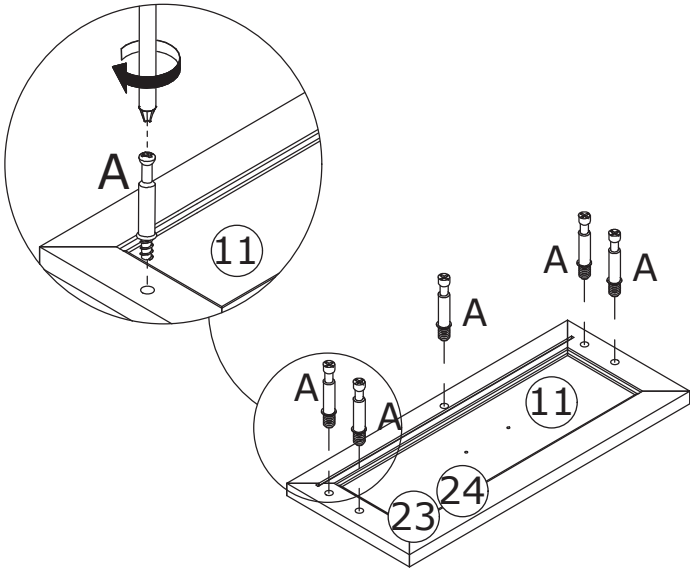
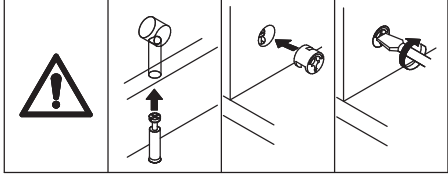
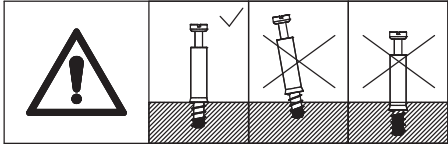


22

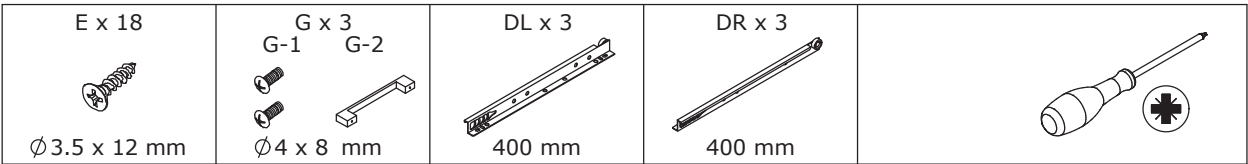


Lock positioning rod A to plate 11, 23 and 24 as shown.

Connect plates 13, 14 and 17 to plate 11, 23 and 24 using cam locks B, then secure them as shown in the diagram.

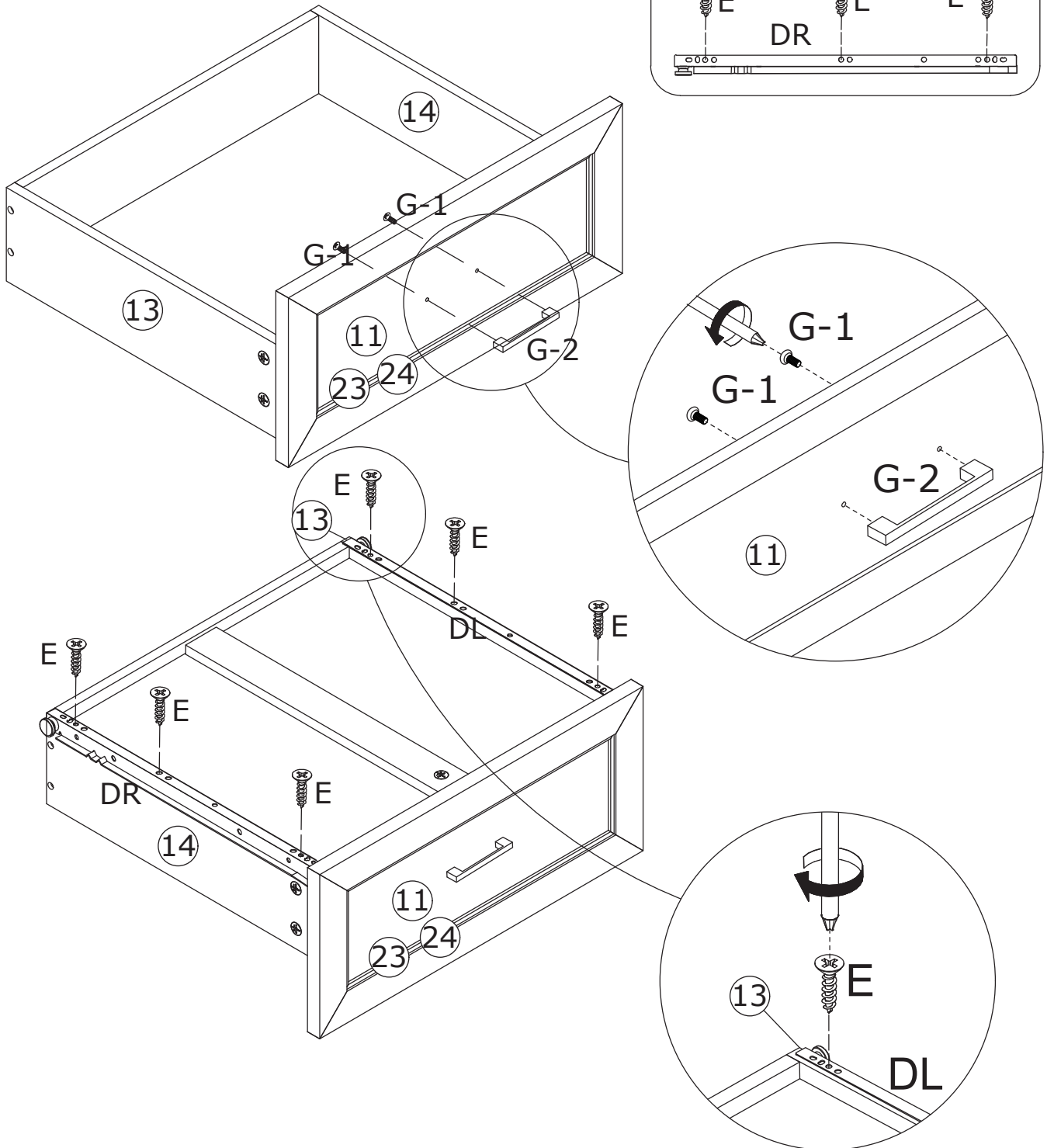
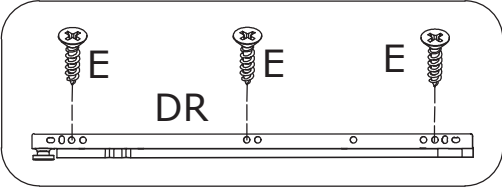
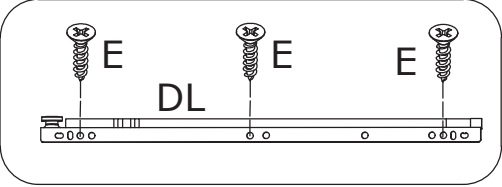


23



Secure handle G-2 to plate 11, 23 and 24 using handle screws G-1.

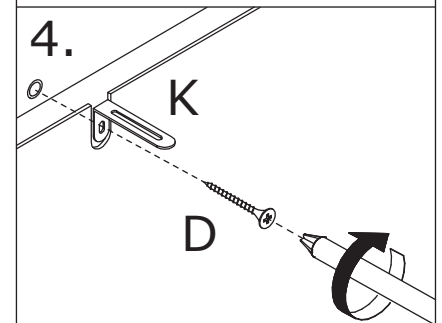
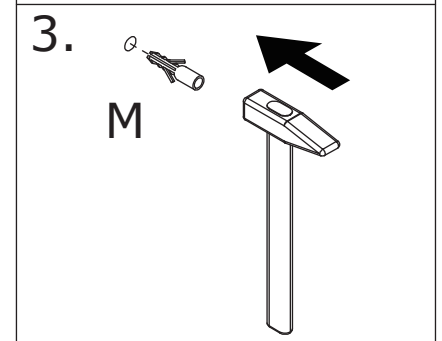
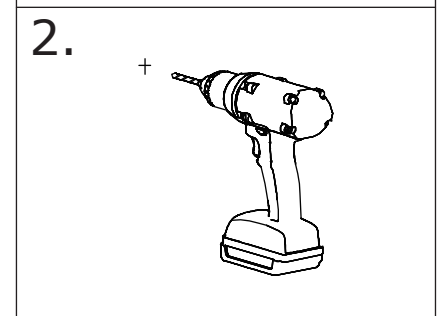
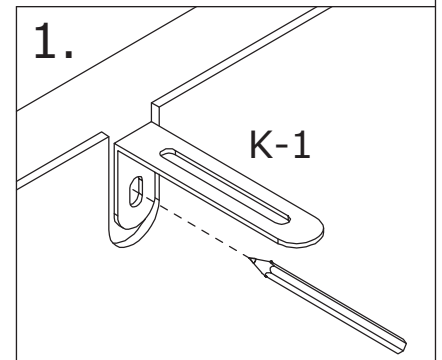
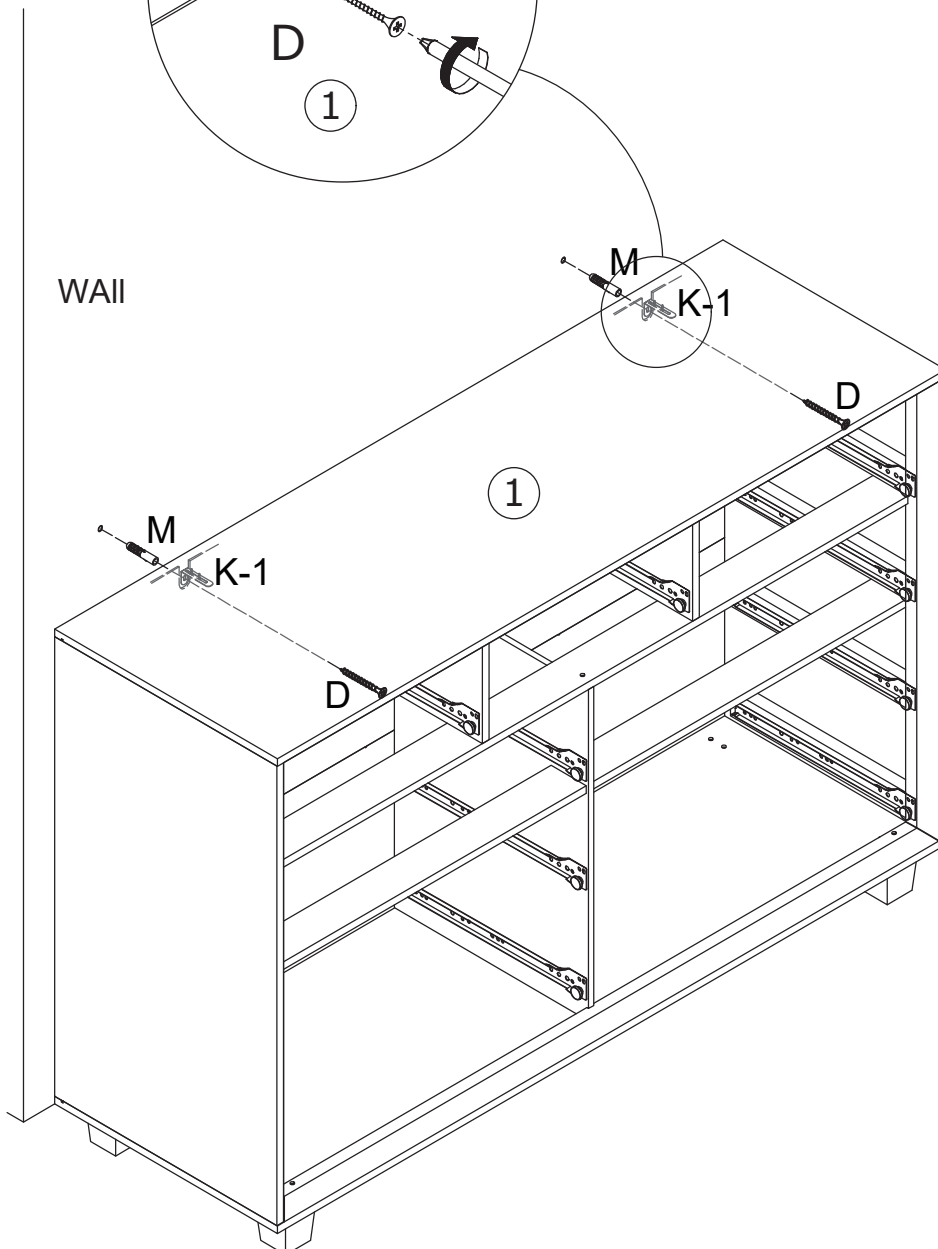
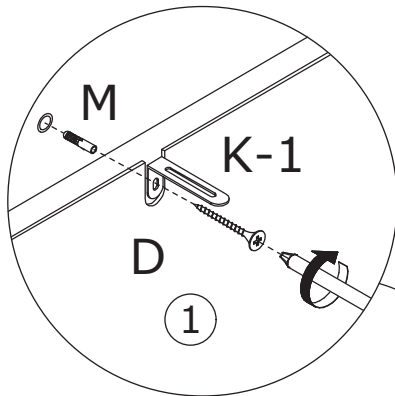
Secure rail DL and DR to plate 13 and 14 using screws E as shown.



24

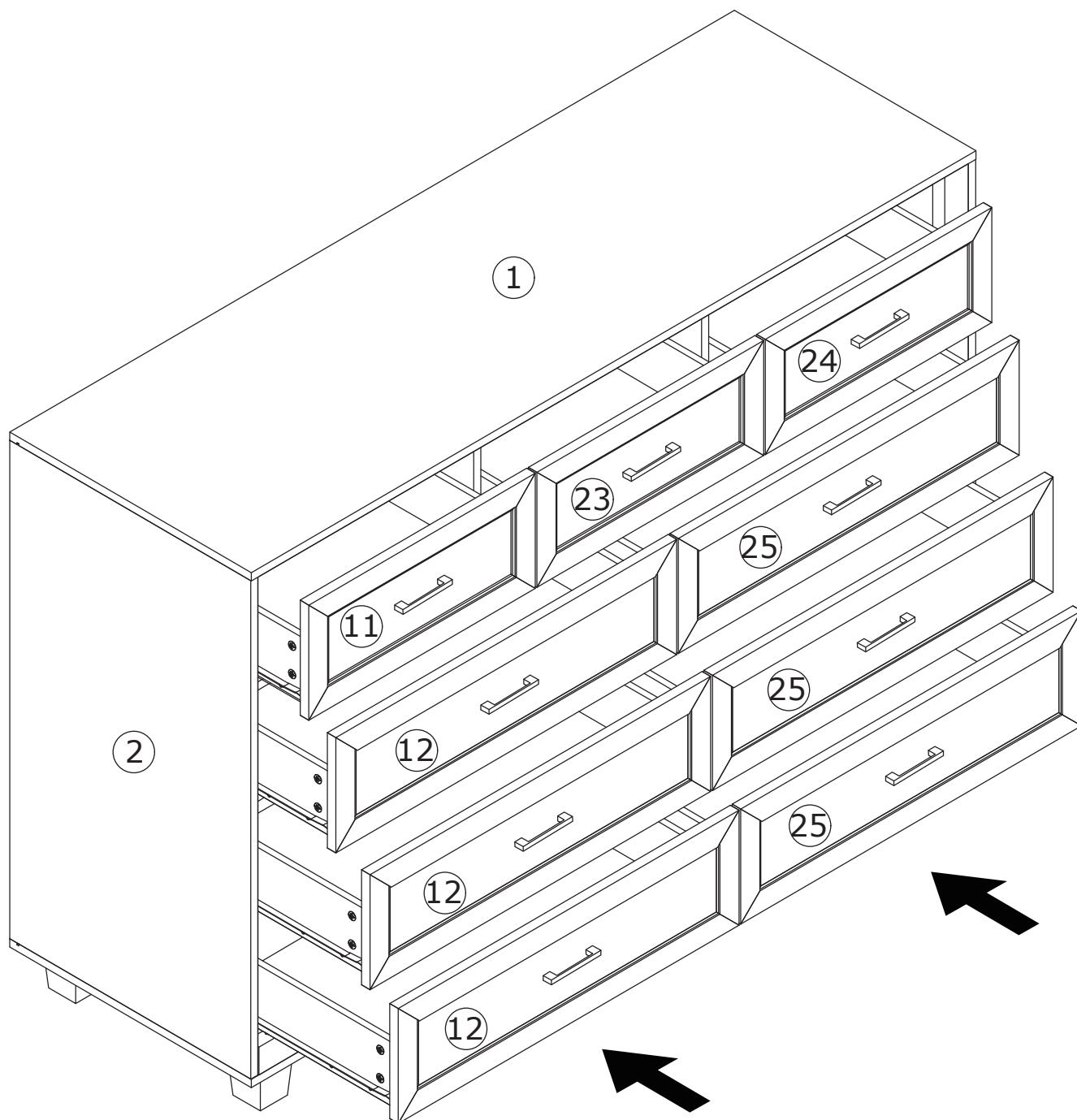


Mark the positions of anti-tip brackets K on the wall with a pen. Drill holes at the marked positions, then hammer plastic wall anchors M into the holes. Secure anti-tip brackets K to the wall using screws D through plastic anchors M.



25

Insert the nine drawers into the cabinet as shown in the diagram.



WARRANTY

WARRANTY CLAIMS

- There is a 30-day warranty for broken furniture or any other problems that do not work properly. The warranty will start from the date of purchase which must be verified by proof of purchase.
- Before making a claim, we may be able to answer your query, simply call us. Please leave your purchase order number, along with some details of the problem, if you want a replacement part. We will arrange within 48 hours. If there is out of stock, we will reply with a shipping date.
- The product must be used in accordance with the instructions provided. For health reasons.
- For other reasons, if the furniture needs to be returned, it must be cleaned and dried and operated within 30 days of receipt.

Type of Warranty Claim

- Failure to follow the furniture instructions will invalidate the warranty. Attention please.
- Does not include damage during installation, but includes damage during transportation.

Scope of responsibility

- Shall not bear any responsibility for misuse or user damage and / or loss of parts during the installation of furniture.
- After using, the damage and scratches of the furniture are not covered by the warranty.

The Warranty Relates to All Bought in The Us and Covers The Following Areas

- Sheet parts: 1 month from the date of purchase.
- Electrical parts: 1 month from the date of purchase.

RETURNS

CHANGED YOUR MIND AND NEED TO RETURN YOU ITEM?

PLEASE FOLLOW THE BELOW INSTRUCTIONS:

- If you have purchased and have simply changed your mind, follow the retailer's instructions for returns.

DEFECTIVE ITEMS

- If your item is defective in any way, i.e. it doesn't work but you can't identify why, in the first instance, please call us.

DAMAGED ITEMS

- If you receive an order with obvious shipping damage from the retailer, then we suggest the delivery is refused. If the delivery has been accepted and then shipping damage is found, please follow the specific instructions advised by the retailer.
In all circumstances please save all packaging material and paperwork for the order. Please be aware that if you dispose of packaging material or attempt to return the merchandise without contacting the fulfiller, you jeopardise your chances of making a claim, and you may not receive a credit for the return.

AFTER-SALES CONTACT



adelahu@fufugaga.com



208-820-0068