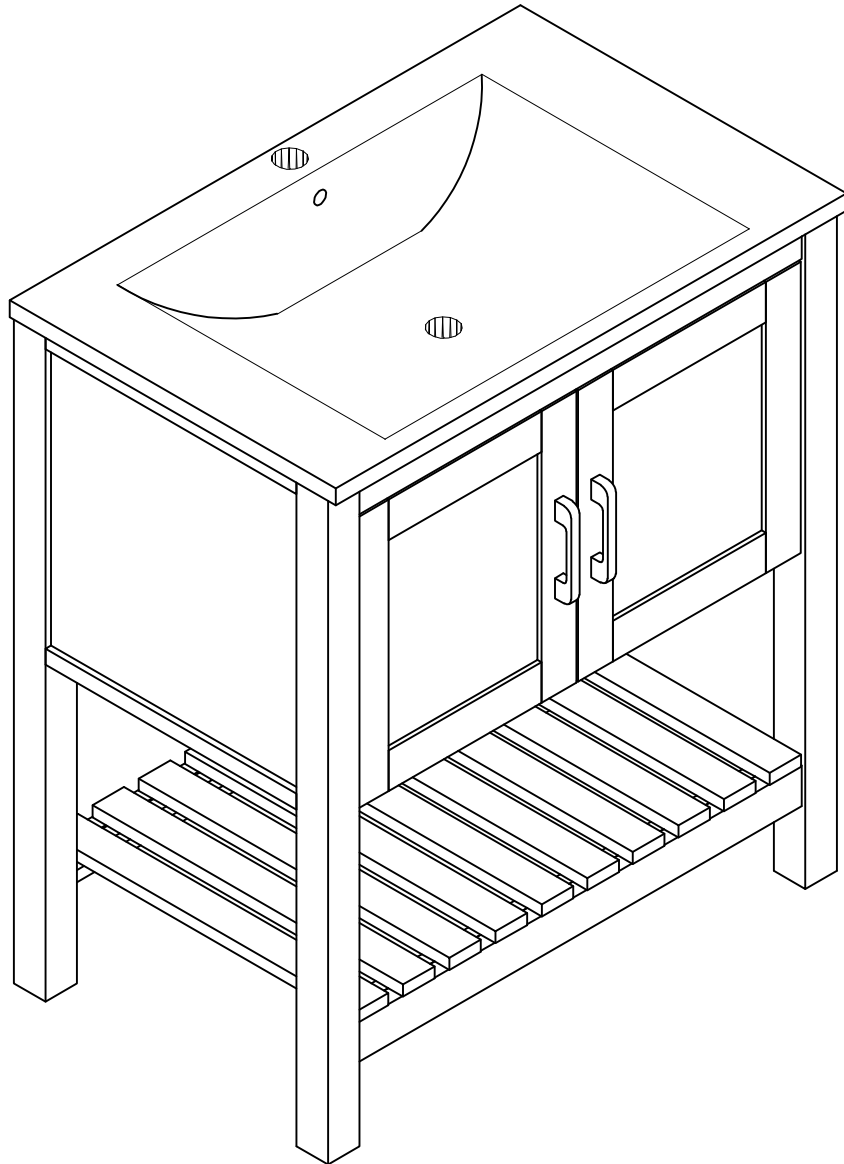
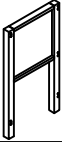
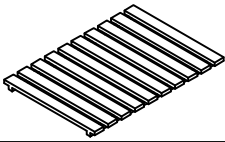

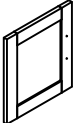

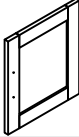
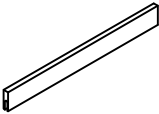
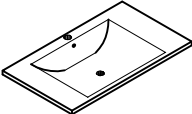
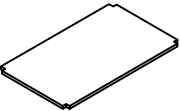
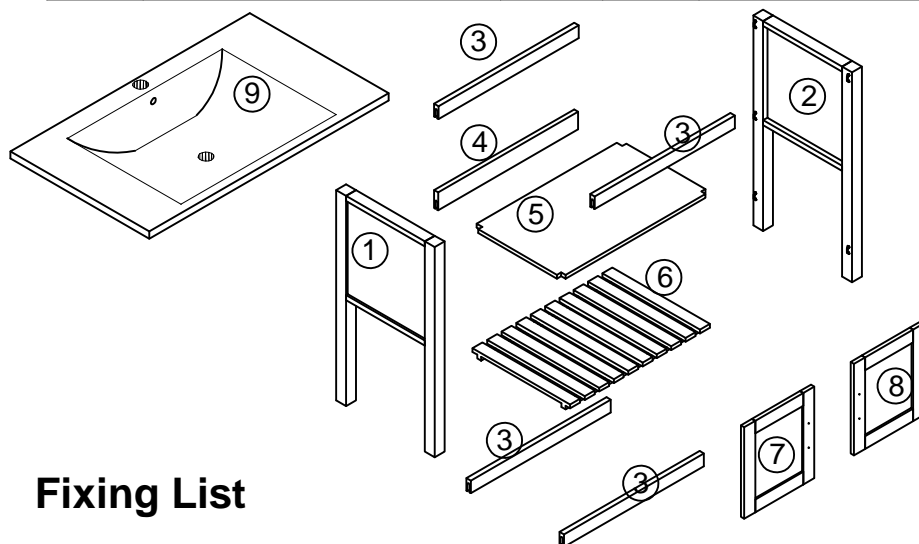


ASSEMBLY INSTRUCTION









Parts list

NO.	Description	QTY	NO.	Description	QTY
①		1	⑥		1
②		1	⑦		1
③		4	⑧		1
④		1	⑨		1
⑤		1			

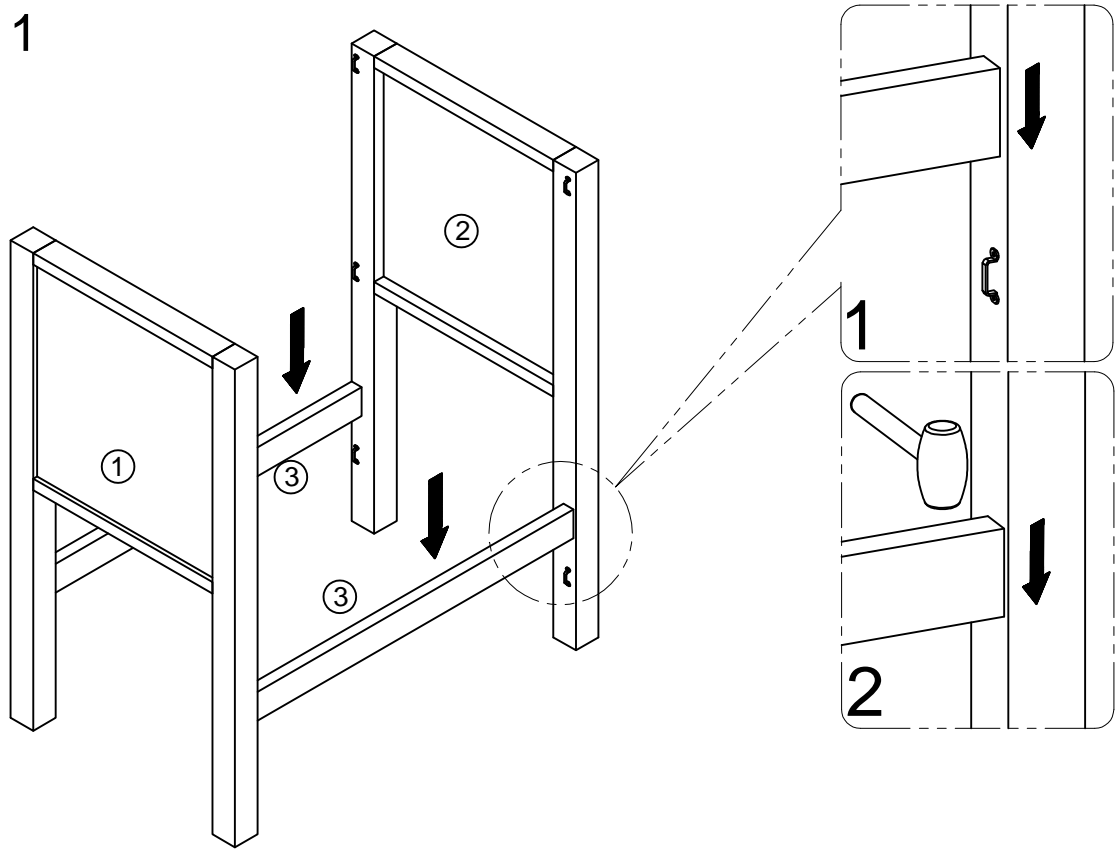


Fixing List

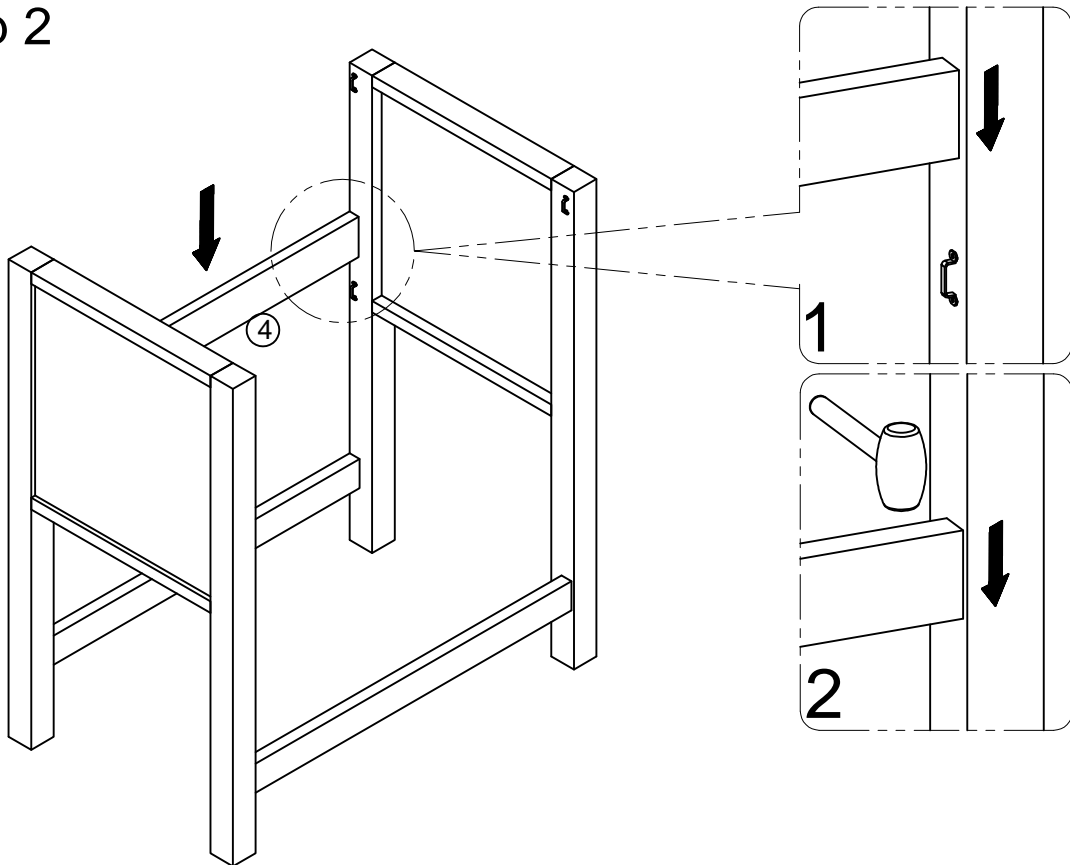
NO.	Description	Size(MM)	QTY
A			4
B			4
C		15mm	8

NO.	Description	Size(MM)	QTY
D		30mm	8
E			2
F			4

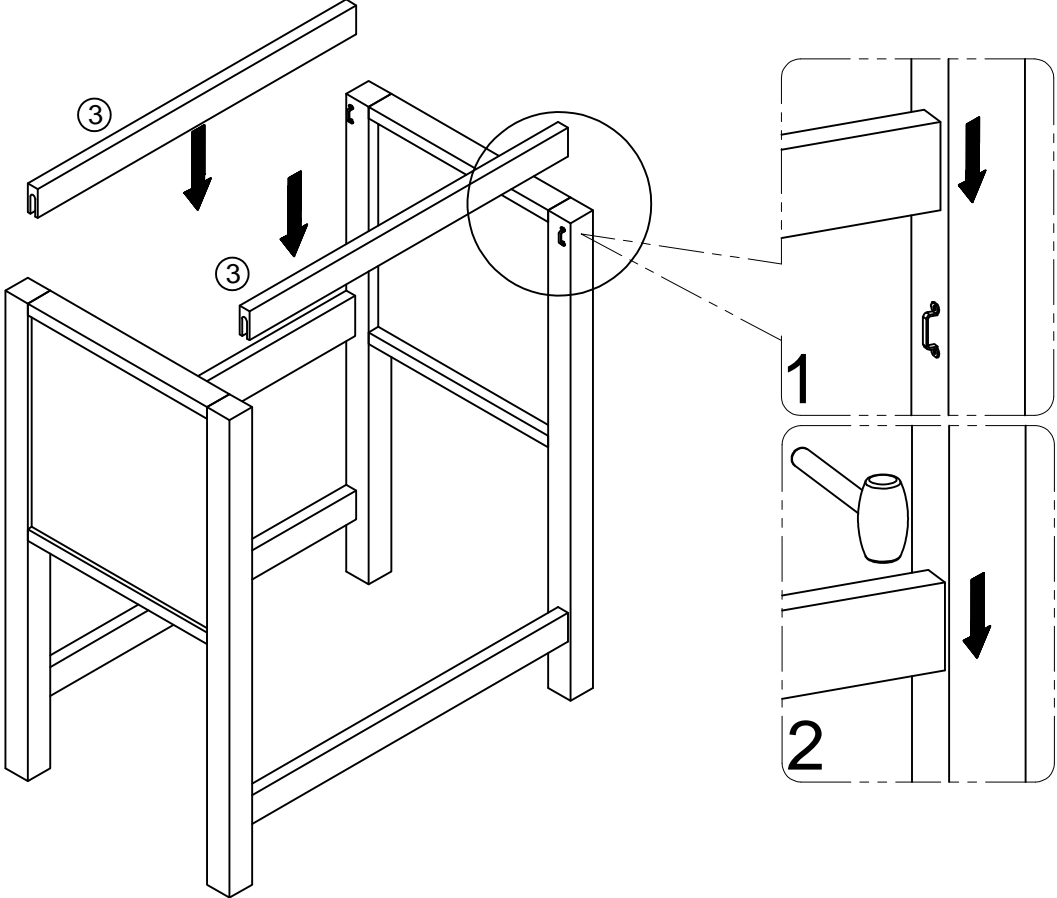
Step 1



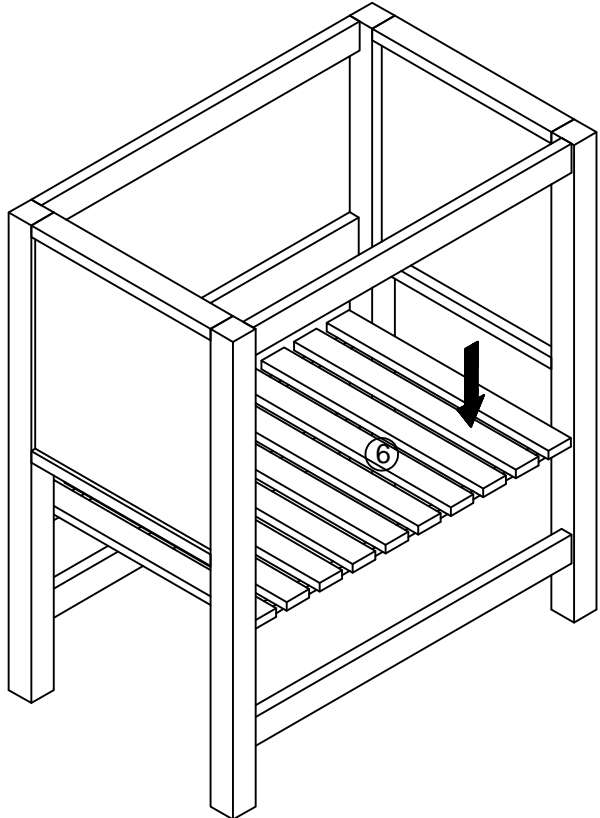
Step 2



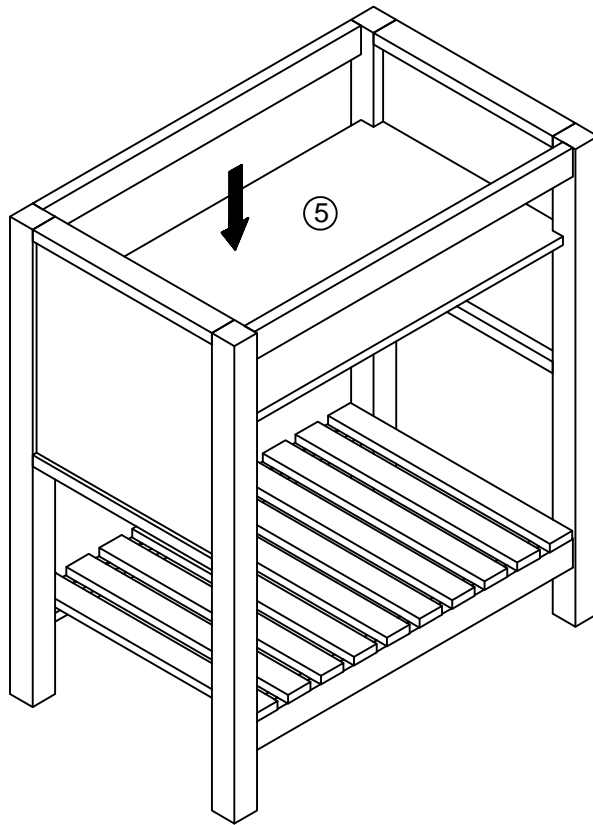
Step 3



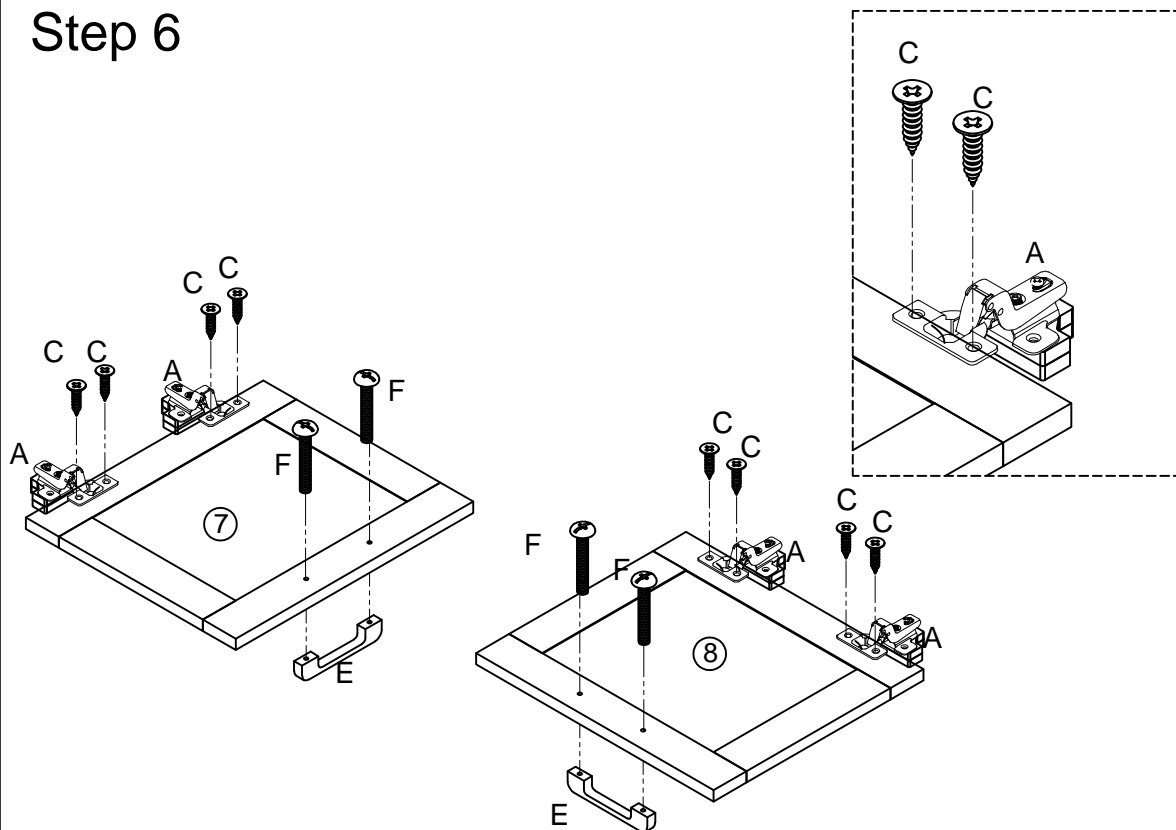
Step 4



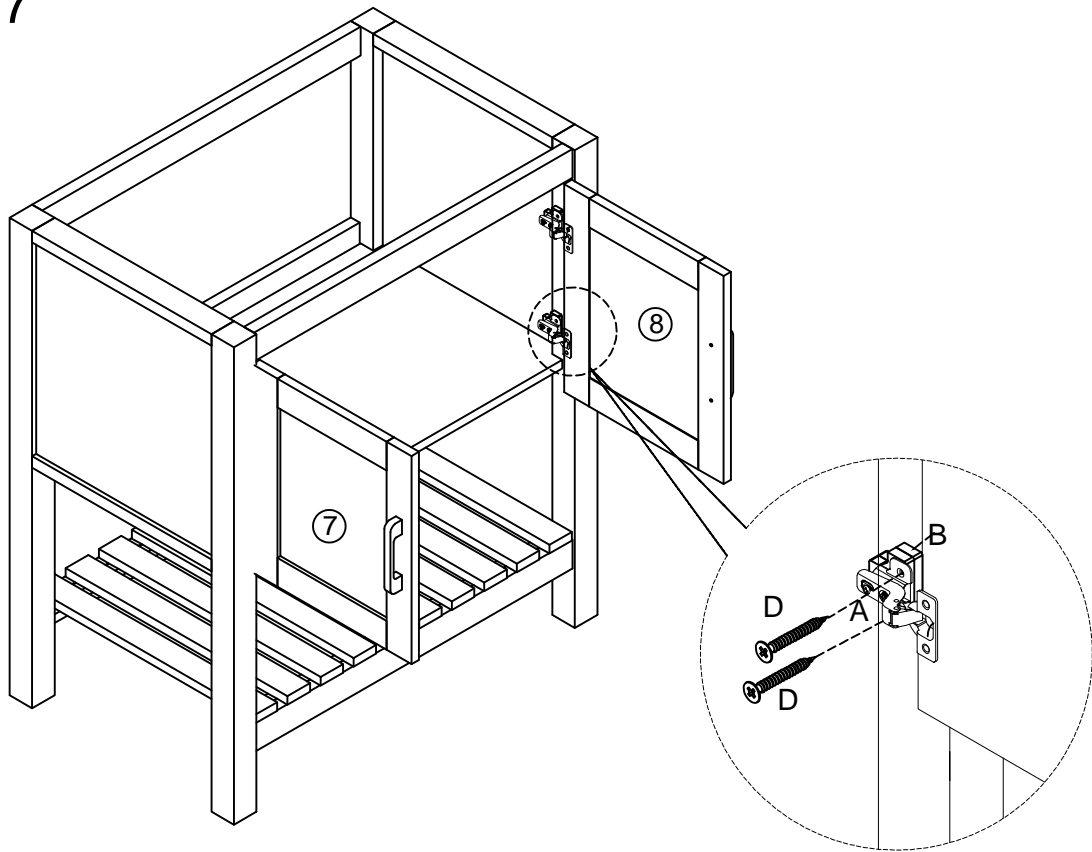
Step 5



Step 6



Step 7



Step 8

