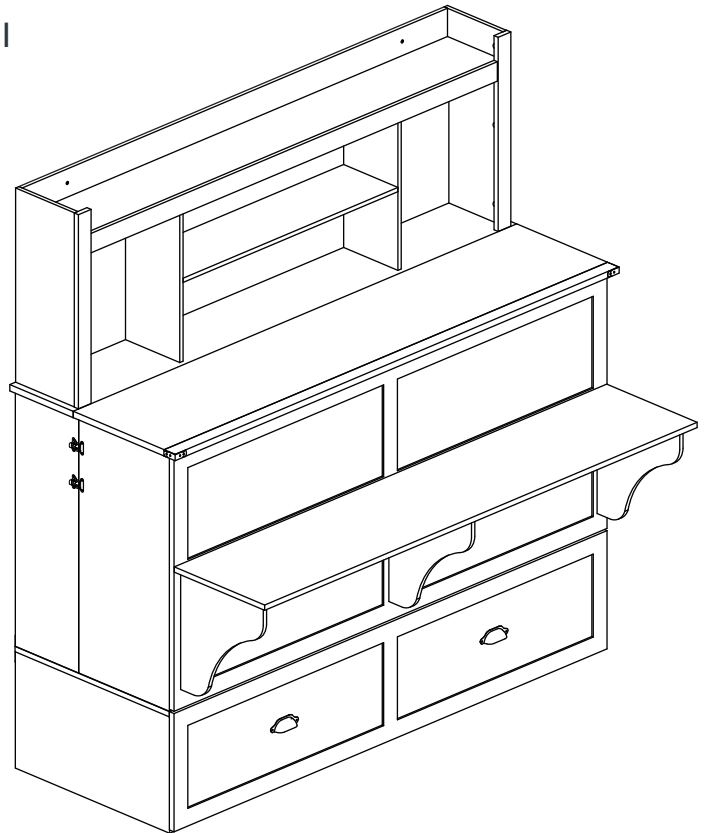


Multi-functional Bed

Assembly Instruction – Please keep properly for future reference.

If you find any missing boxes, damaged parts, or accessory shortages, please contact the customer service team of your purchasing channel immediately. We will resolve the issue as quickly as possible.



Dimensions

Width-57.5 inch
Depth-35.8inch
Heigth-61.9 inch

EN

THE FOLLOWING INFORMATION:

- Order number
- Purchase platform
- Purchase date
- Detailed description of the issue along with photos (if applicable)

Important – Please read these instructions carefully before starting the installation.

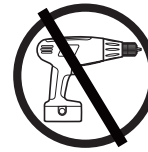


Safety and Care Advice

Important – Please read these instructions fully before starting assembly

- Check you have all the components and tools listed on the following pages.
- Remove all fittings from the plastic bags and separate them into their groups.
- Keep children and animals away from the work area, small parts could choke if swallowed.
- Make sure you have enough space to layout the parts before starting.

- During assembly do not stand or put weight on the product, this could cause damage.
- Assemble the item as close to its final position (in the same room) as possible.
- Assemble on a soft level surface to avoid damaging the unit or your floor.
- Parts of the assembly will be easier with 2 people.



- To reduce the likelihood of damaging your product please ensure that your power drill is set on a low torque setting.

Care and maintenance

- Only clean using a damp cloth and mild detergent, do not use bleach or abrasive cleaners.
- From time to time check that there are no loose screws on this unit.
- This product should not be discarded with household waste. Take to your local authority waste disposal centre.

Handy Hints

- Assemble all parts and bolts loosely during assembly, only once the product is complete should you fully tighten the bolts
- Regularly check and ensure that all bolts and fittings are tightened properly.

WARNING In order to help prevent overturning – please follow these instructions

To help prevent product toppling over please follow the below steps:-

Use the anti tip strap or wall fixing method provided (if applicable)
Do not allow children to climb or hang on the furniture
Do not open more than one drawer at a time
Do not place heavy items in the top drawers
Do not place heavy items on top of the furniture, unless the furniture has been designed for this purpose

Please note that only the anti tip strap is provided.
You will need to provide wall plugs and screws applicable for your wall type

CUSTOMER SERVICE GUIDE

Thank you for choosing our product! We are committed to providing you with excellent service. If you find any missing parts, damaged packaging, or product damage after receiving all packages, please follow the steps below to quickly contact our customer service team. We will do our best to resolve your issue.

1. Missing Parts

Verify Parts:

1. Refer to the “Parts List” in the manual to verify the name, specifications, and quantity of the missing parts.
2. Take a clear photo of the parts list and mark the missing parts with detailed information, e.g., “Missing 5 pieces of M6x30mm screws.”

Contact Us:

- A description of the missing parts and a photo of the parts list.
- Order details (order number, purchase platform, purchase date).

2. Product or Packaging Damage

If it affects normal use:

Steps:

Take clear photos or videos showing the damaged parts and the extent of the damage (multi-angle shots are recommended).

Resolution:

After verification, we will arrange for a replacement part, product exchange, or refund as quickly as possible.

If it does not affect normal use:

Steps:

Provide a description of the damage and include relevant photos or videos.

Resolution:

We will provide repair guidance or an appropriate compensation plan based on the specific situation.

Helpful Tips

To process your issue efficiently, please prepare the following information:

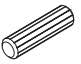
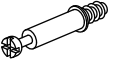

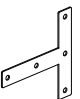
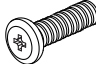
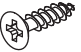


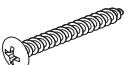
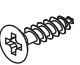

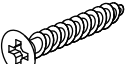

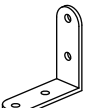
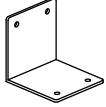
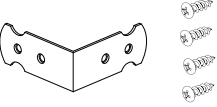
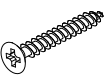
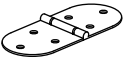
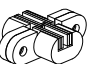

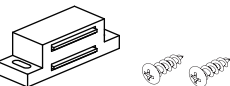
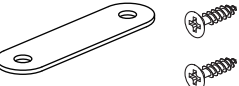
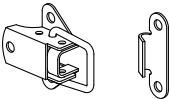
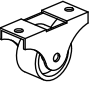
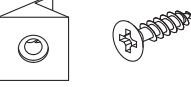
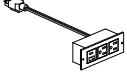

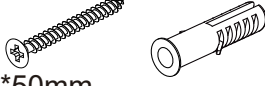
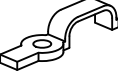
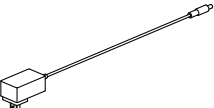
- Order details (order number, purchase platform, purchase date).
- Clear photos or videos.
- We are committed to providing quick and professional solutions, no matter the size of the issue, to ensure your satisfaction.

Thank you for your trust and support! We hope you enjoy using our product!

Componets - Fittings

Please check you have all the fittings listed below

Note: The quantities below are the correct amount to complete the assembly. In some cases more fittings may be supplied are required.

A  6*30mm Wooden Dowel x 87	B  6*35mm Cam Bolt x 84	C  Cam Lock x 84
D  8*30mm Wooden Dowel x 13	E  x 2	F  6*18mm Bolt x 12
G  4*16mm Screw x24	H  2.5*12mm Screw x 4	I  4*14mm Screw x 52
K  4*30mm Screw x 6	L  3*12mm Screw x 4	M  x 22
N  3.5*30mm Screw x 16	O  4*40mm Screw x 43	P  x 2
Q  x 2	R  x 2	S  4*30mm Screw x 16
T  x 4	U  x 4	V  x 2
W  x 2	X  x 2	Y  x 4
Z  x 4	a  x 32	b  x 1
d  x 1	e  x 2 4*50mm	f  x 4
g  x 1		

Tools required



Phillips screwdriver
(medium & large)

Ruler - Use this ruler to help correctly identify the screws

mm

0 5 10 15 20 25 30 35 40 45 50 55 60 65 70 75 80 85 90 95 100 105 110 115 120 125 130 135 140 145 150 155 160 165 170



The screws length is measured from the head to the point (30mm screw shown).

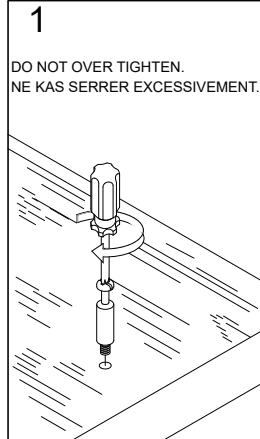
0 1 2 3

inch

Using Camlocks

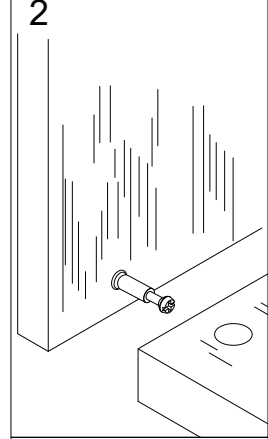
Step 1

Connect the male camlock as directed in the assembly instructions using a screwdriver.



Step 2

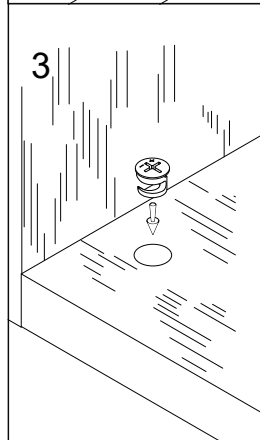
Push the male camlock into the entry hole.



Step 3

Insert the female camlock as shown in the instructions.

Note: ensure that the arrow on the top of the camlock points towards the entry hole for the male camlock.

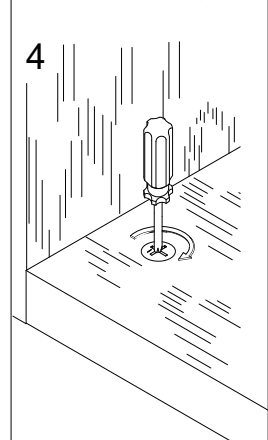


Step 4

Turn the female camlock clockwise with a screwdriver.

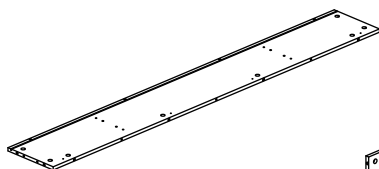
You should feel a click when the camlock is locked in place.

The joint is now secure.

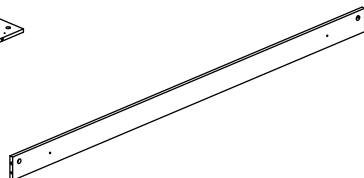


Componets - Panels

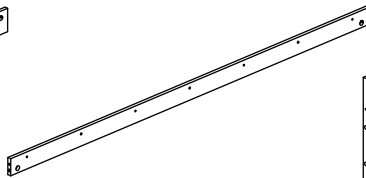
Please check you have all the panels listed below



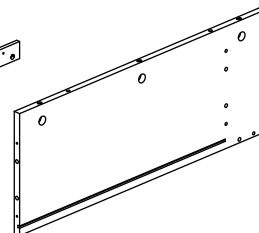
1 (1497*214*12mm x1)



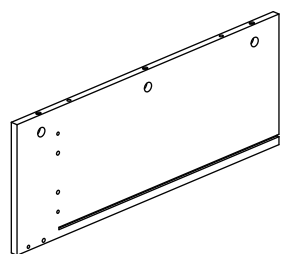
2 (1497*80*12mm x1)



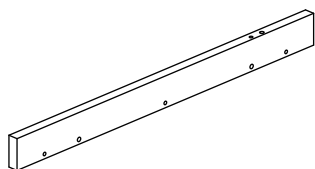
3 (1330*55*12mm x1)



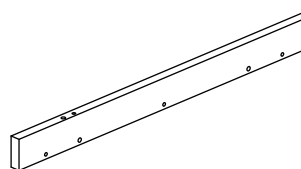
4 (550*214*12mm x1)



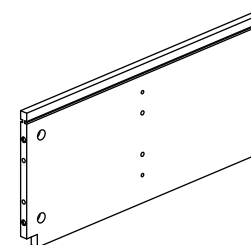
5 (550*214*12mm x1)



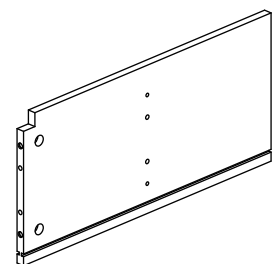
6 (550*46*15mm x1)



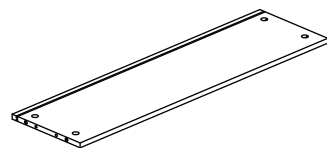
7 (550*46*15mm x1)



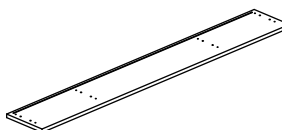
8 (458*214*12mm x1)



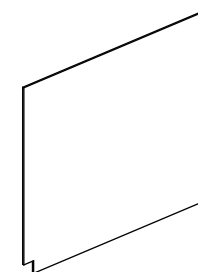
9 (458*214*12mm x1)



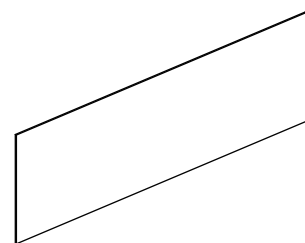
10 (701*214*12mm x1)



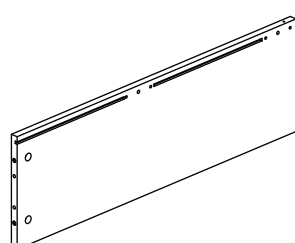
11 (1460*230*18mm x1)



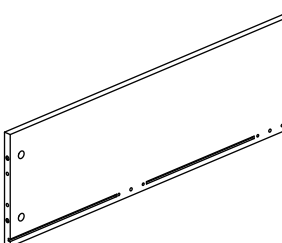
12 (466*343*3mm x2)



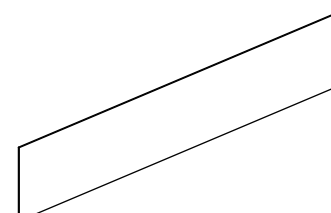
13 (708*231*3mm x2)



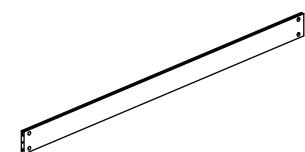
14 (657*230*15mm x1)



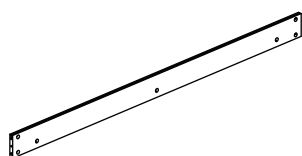
15 (657*230*15mm x1)



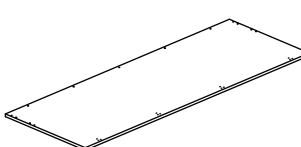
16 (1400*240*4mm x2)



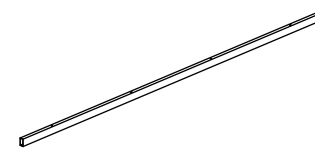
17 (1392*95*15mm x1)



18 (1392*95*15mm x1)



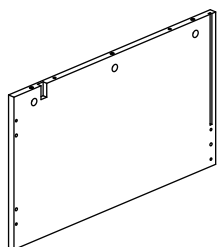
19 (1422*560*15mm x1)



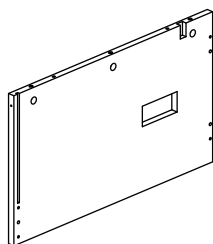
20 (1412*30*15mm x1)

Componets - Panels

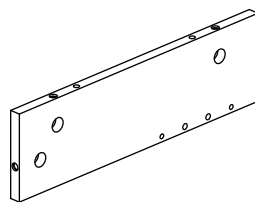
Please check you have all the panels listed below



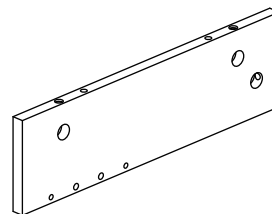
21 (560*330*15mm x1))



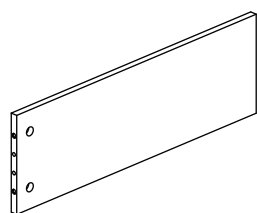
22 (560*330*15mm x1)



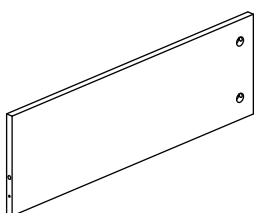
23 (330*95*12mm x1))



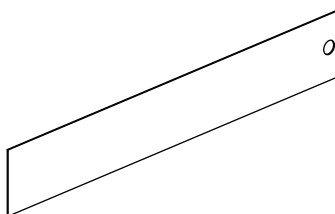
24 (330*95*12mm x1)



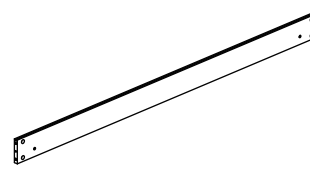
25 (517*170*12mm x1)



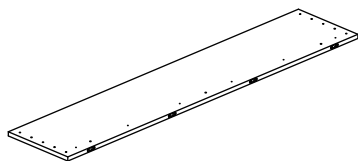
26 (517*170*12mm x1)



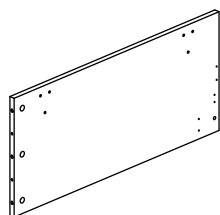
27 (1400*241*4mm x1)



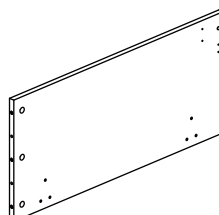
28 (1392*95*15mm x1)



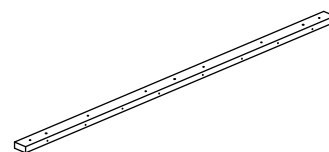
29 (1460*330*18mm x1)



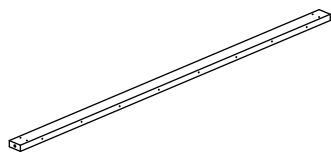
30 (655*330*15mm x1)



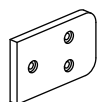
31 (655*330*15mm x1)



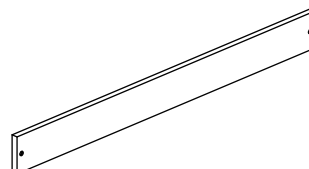
32 (1390*55*24mm x1)



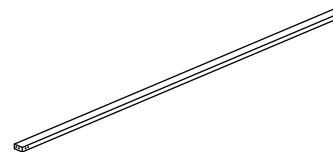
33 (1390*55*24mm x1)



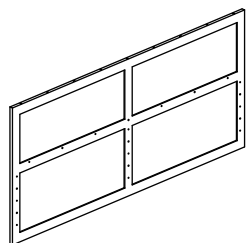
34 (114*70*12mm x4)



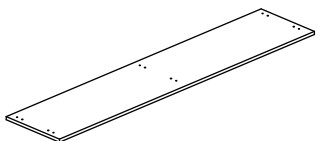
35 (648*70*12mm x8)



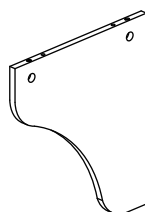
36 (1460*40*18mm x1)



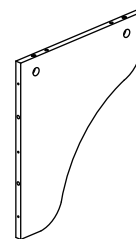
37 (1422*724*17mm x1)



38 (1420*328*15mm x1)



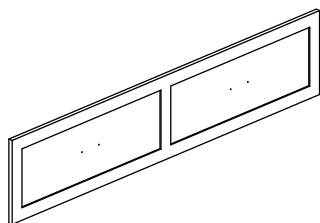
39 (340*300*12mm x2)



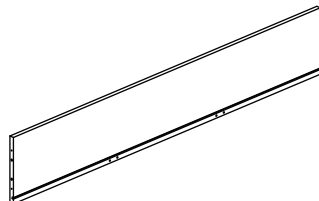
40 (340*300*12mm x1)

Componets - Panels

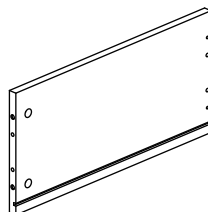
Please check you have all the panels listed below



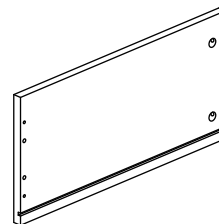
41 (1420*335*17mm x1)



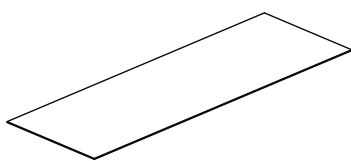
42 (1164*222*12mm x1)



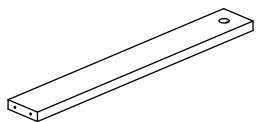
43 (456*222*15mm x1)



44 (456*222*15mm x1)

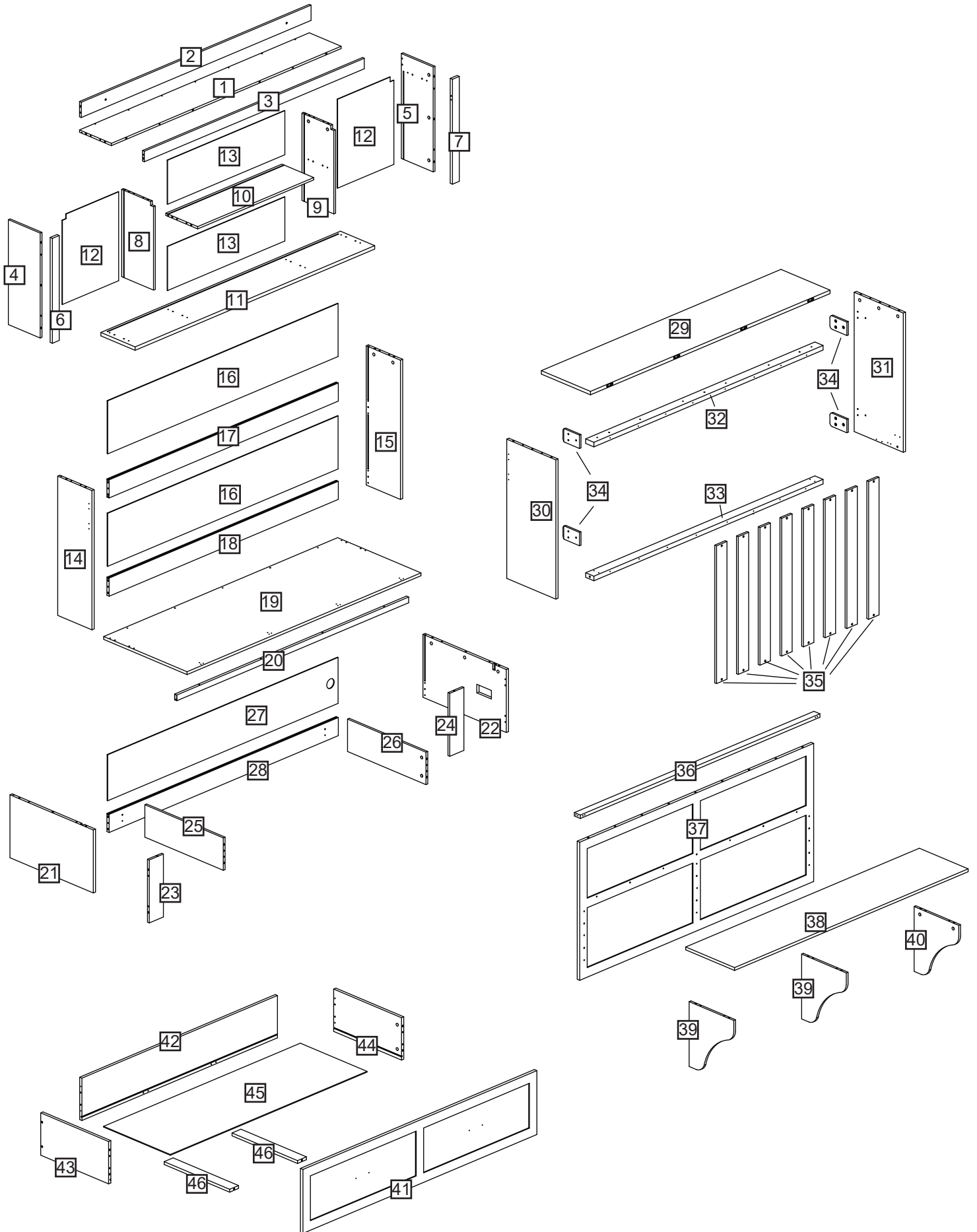


45 (1172*448*4mm x1)



46 (440*60*15mm x2)

Assembly Instructions

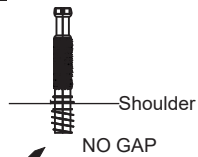


Assembly Instructions

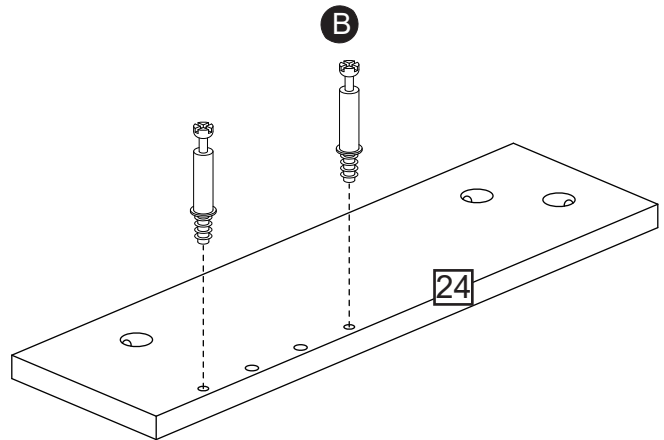
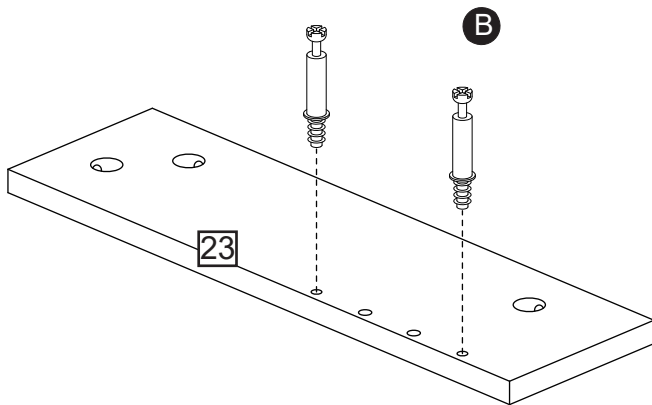
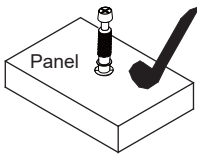
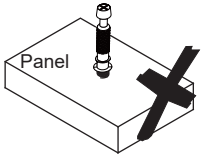
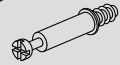
Step 1

CAM-LOCK

Tighten until shoulder is flush with panel. Do not overtighten or undertighten (see example below)



B x4



Install threaded rods (B) onto panels (23) and (24).

Step 2

A x4

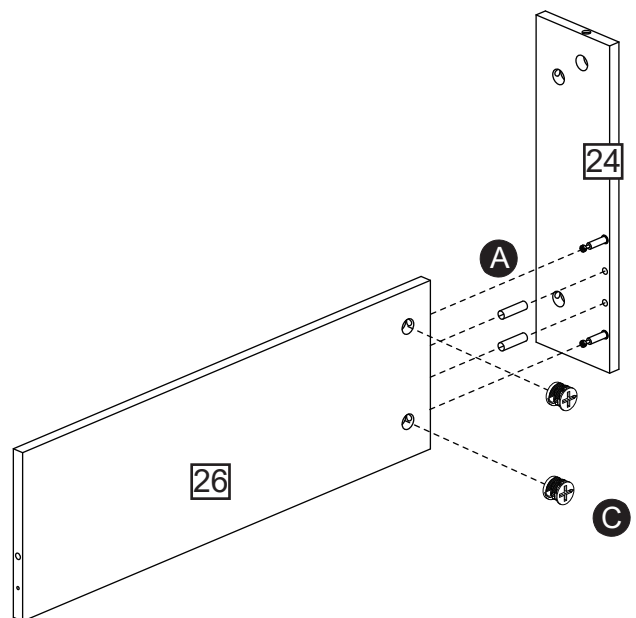
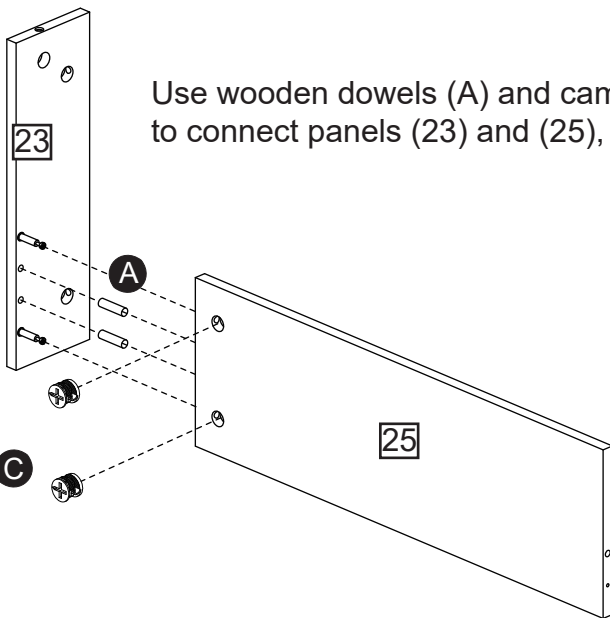
6x30mm



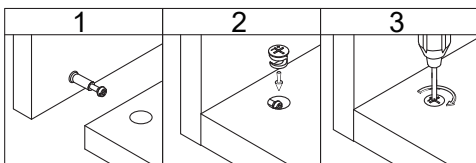
C x4



Use wooden dowels (A) and cam locks (C) to connect panels (23) and (25), then tighten.



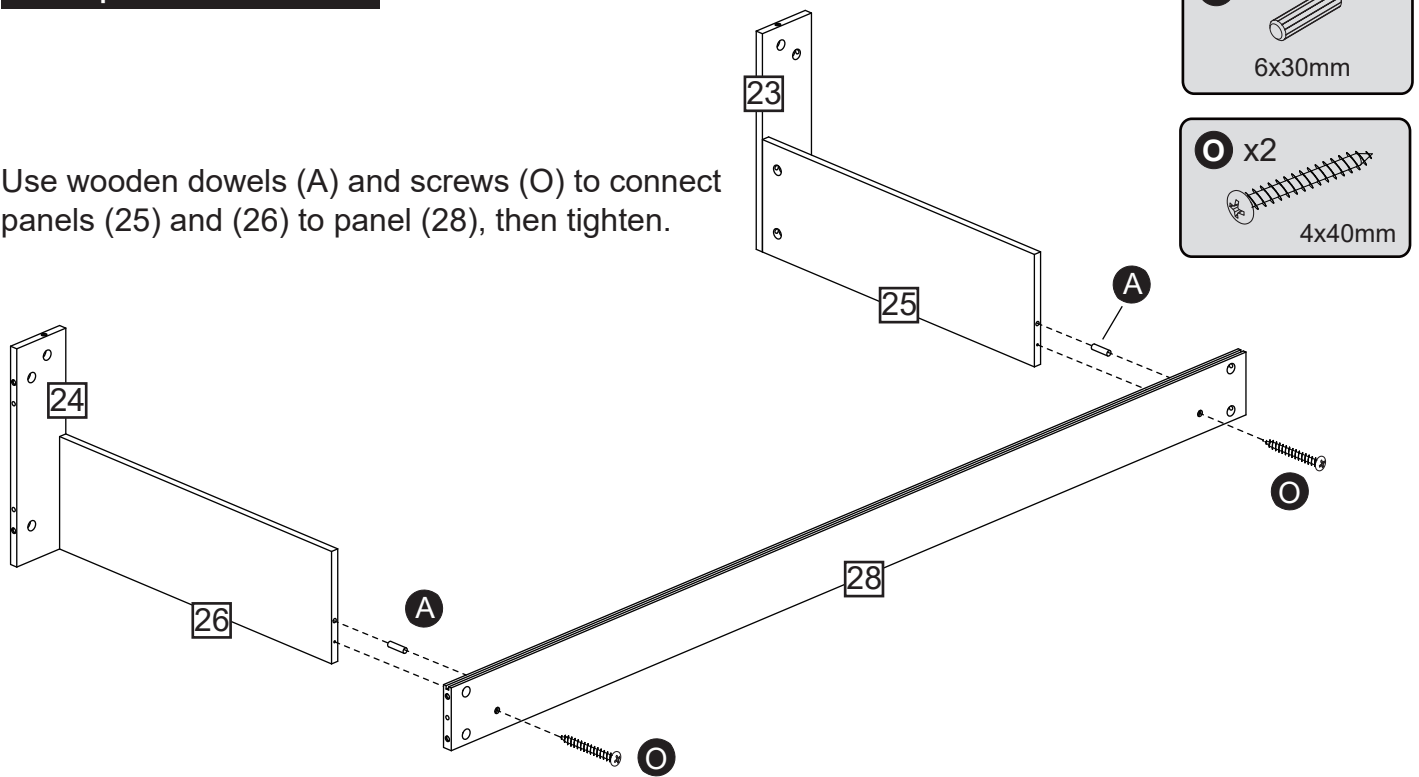
Use wooden dowels (A) and cam locks (C) to connect panels (24) and (26), then tighten.



Assembly Instructions

Step 3

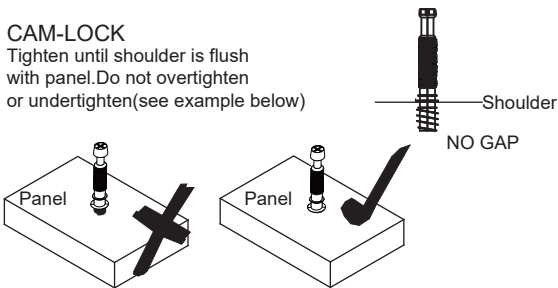
Use wooden dowels (A) and screws (O) to connect panels (25) and (26) to panel (28), then tighten.



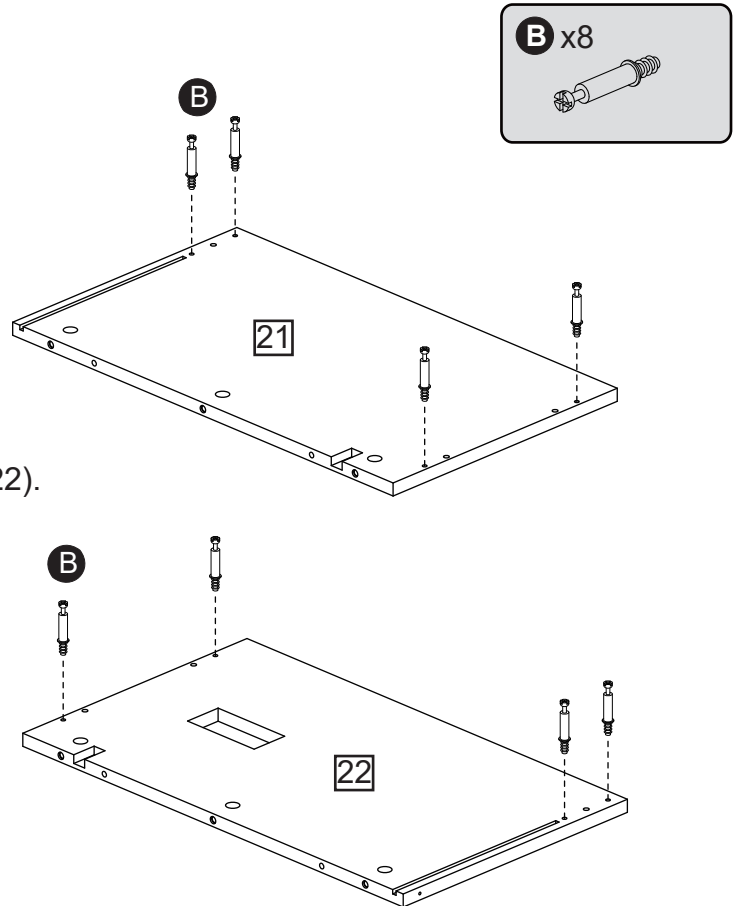
Step 4

CAM-LOCK

Tighten until shoulder is flush with panel. Do not overtighten or undertighten (see example below)



Install threaded rods (B) onto panels (21) and (22).

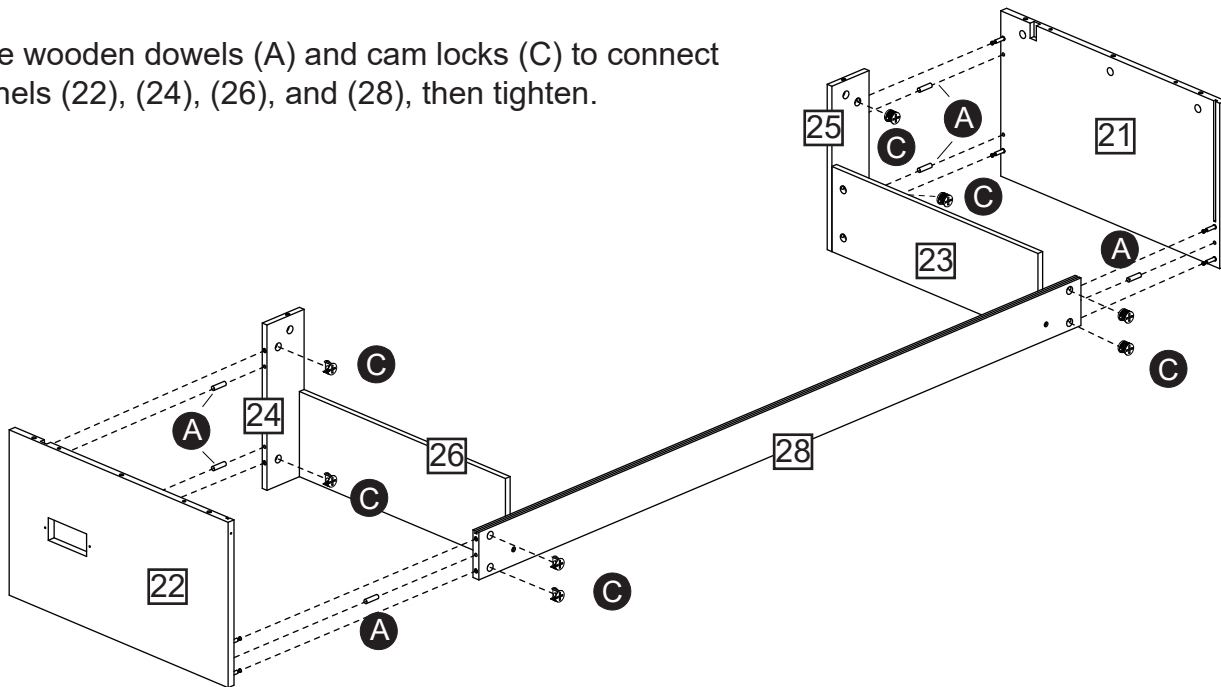
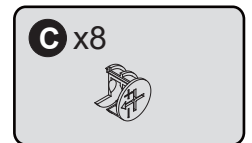
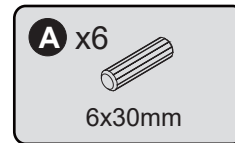


Assembly Instructions

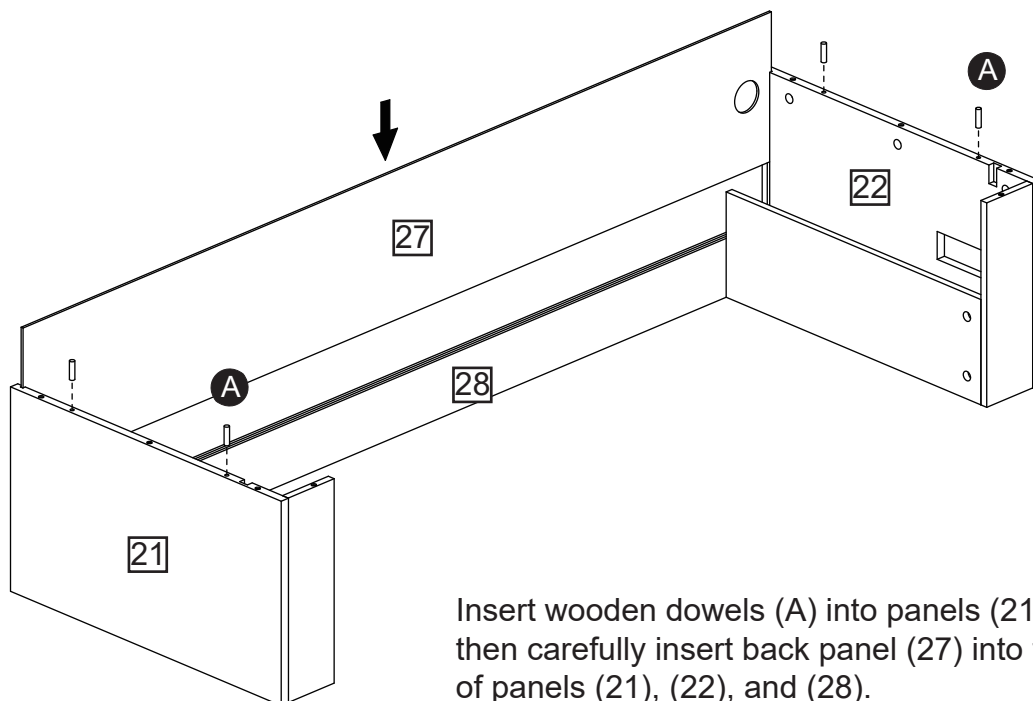
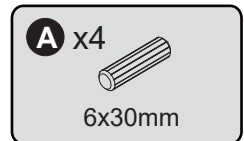
Step 5

Use wooden dowels (A) and cam locks (C) to connect panels (21), (25), (23), and (28), then tighten.

Use wooden dowels (A) and cam locks (C) to connect panels (22), (24), (26), and (28), then tighten.



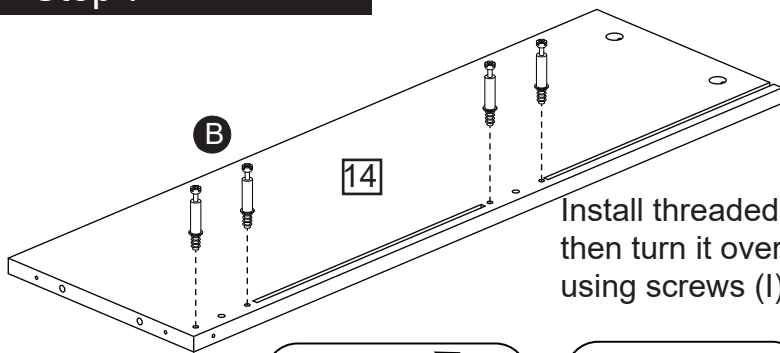
Step 6



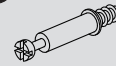
Insert wooden dowels (A) into panels (21) and (22), then carefully insert back panel (27) into the grooves of panels (21), (22), and (28).

Assembly Instructions

Step 7



B x4

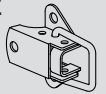


I x4



4x14mm

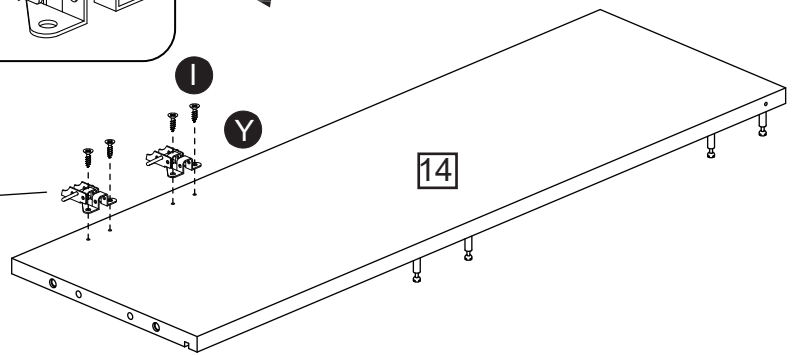
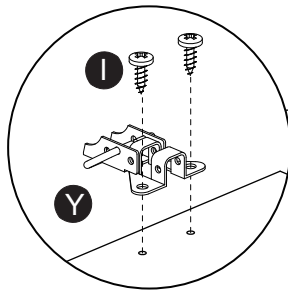
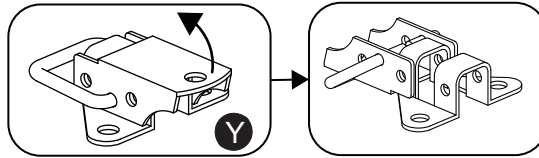
Y x2



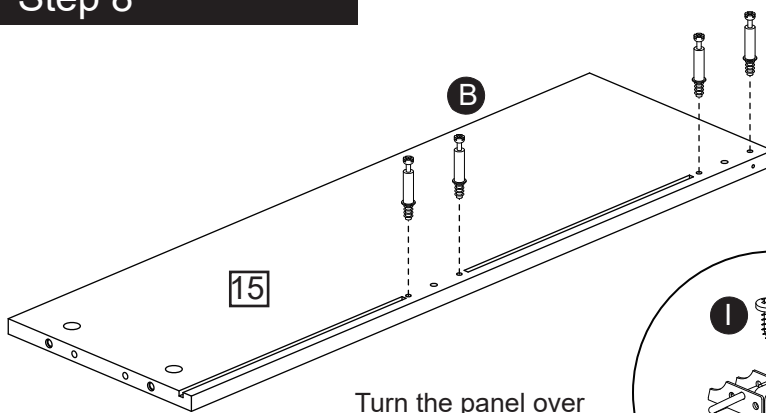
Install threaded rods (B) onto panel (14), then turn it over and attach part (Y) using screws (I).

Turn the panel over

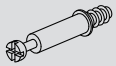
180°



Step 8



B x4

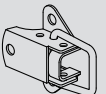


I x4



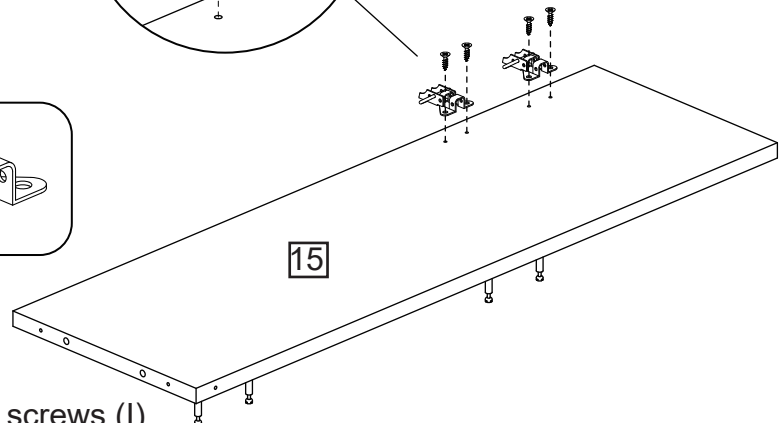
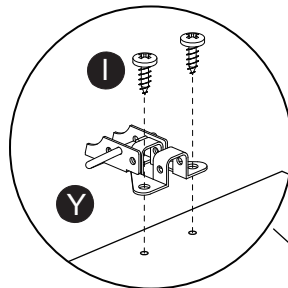
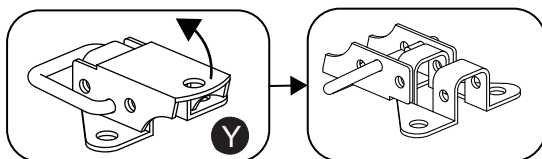
4x14mm

Y x2



Turn the panel over

180°



Install threaded rods (B) onto panel (15), then turn it over and attach part (Y) using screws (I).

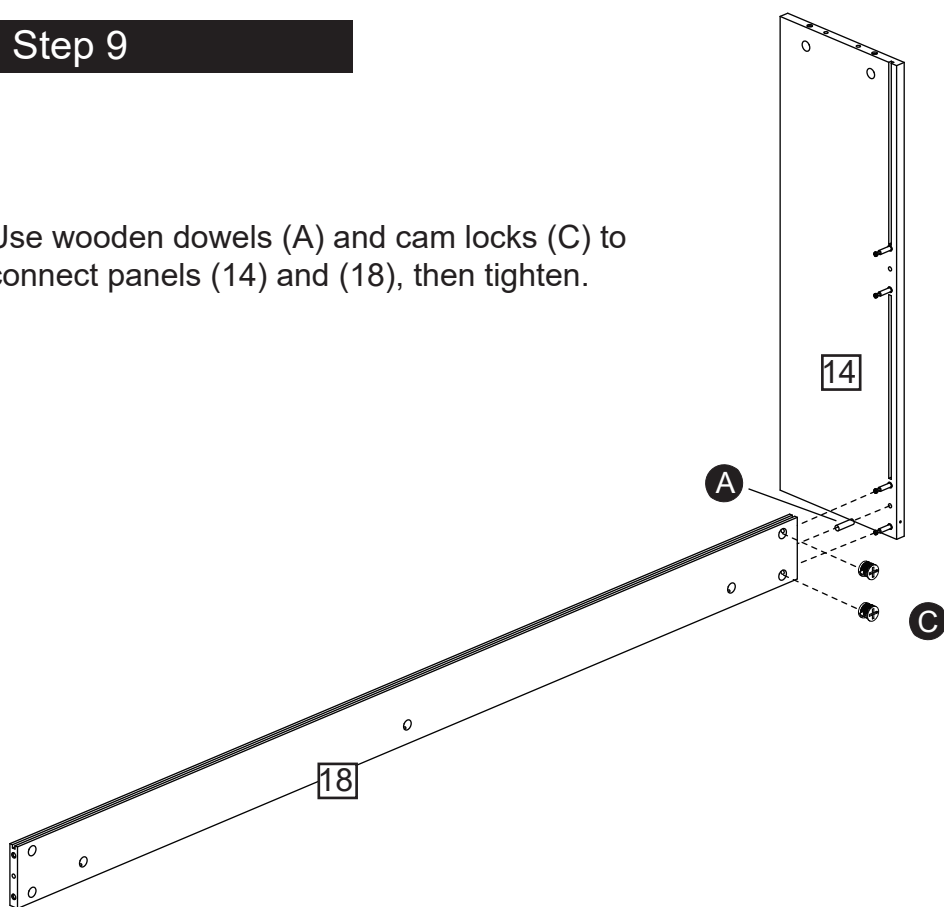
Assembly Instructions

Step 9

Use wooden dowels (A) and cam locks (C) to connect panels (14) and (18), then tighten.

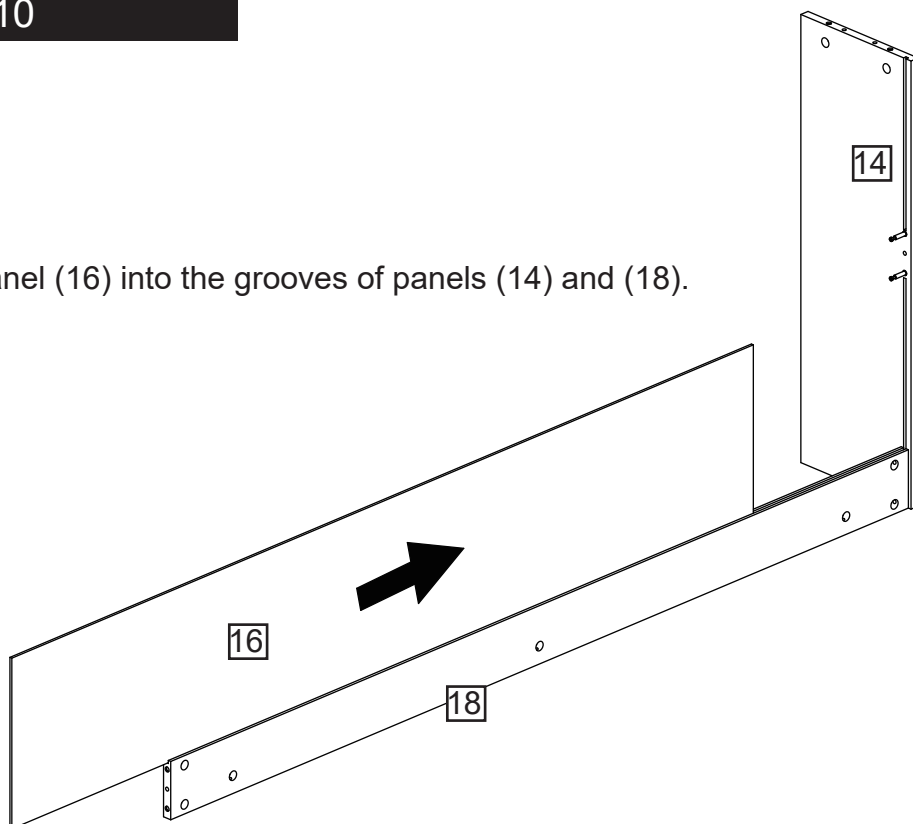
A x1
6x30mm

C x2



Step 10

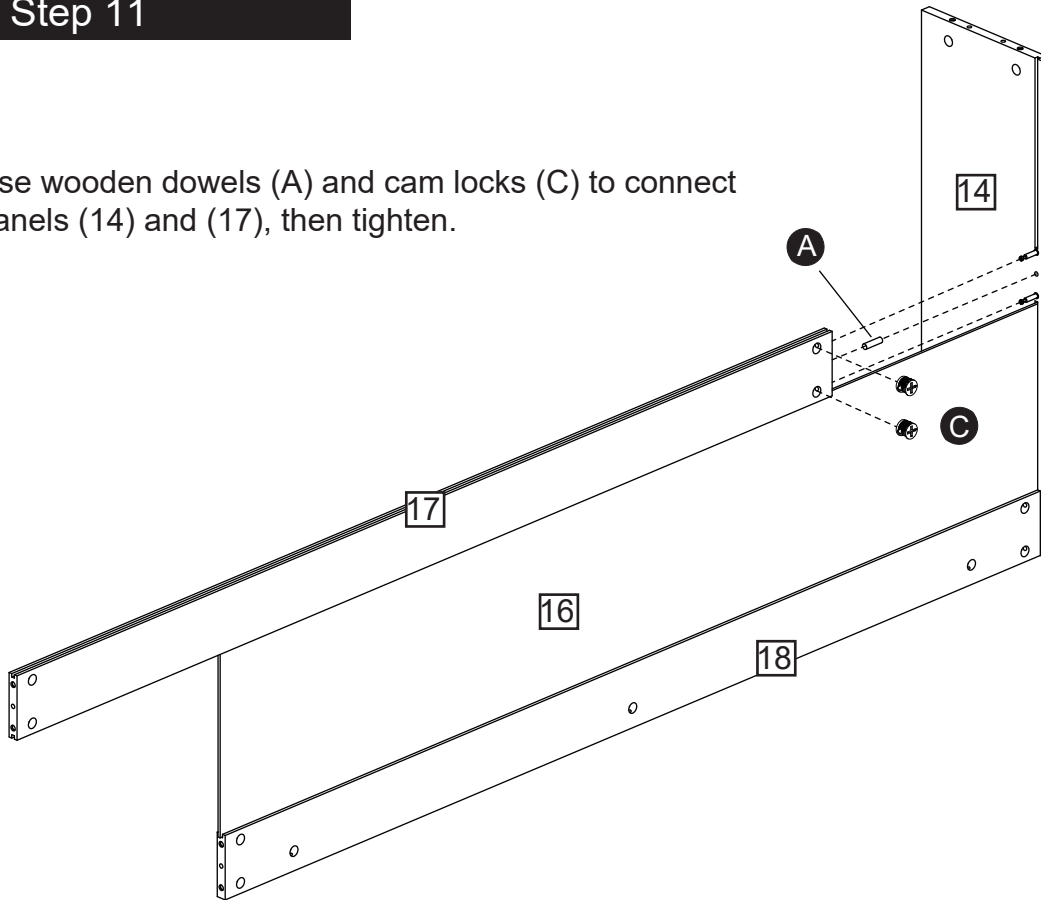
Insert panel (16) into the grooves of panels (14) and (18).



Assembly Instructions

Step 11

Use wooden dowels (A) and cam locks (C) to connect panels (14) and (17), then tighten.

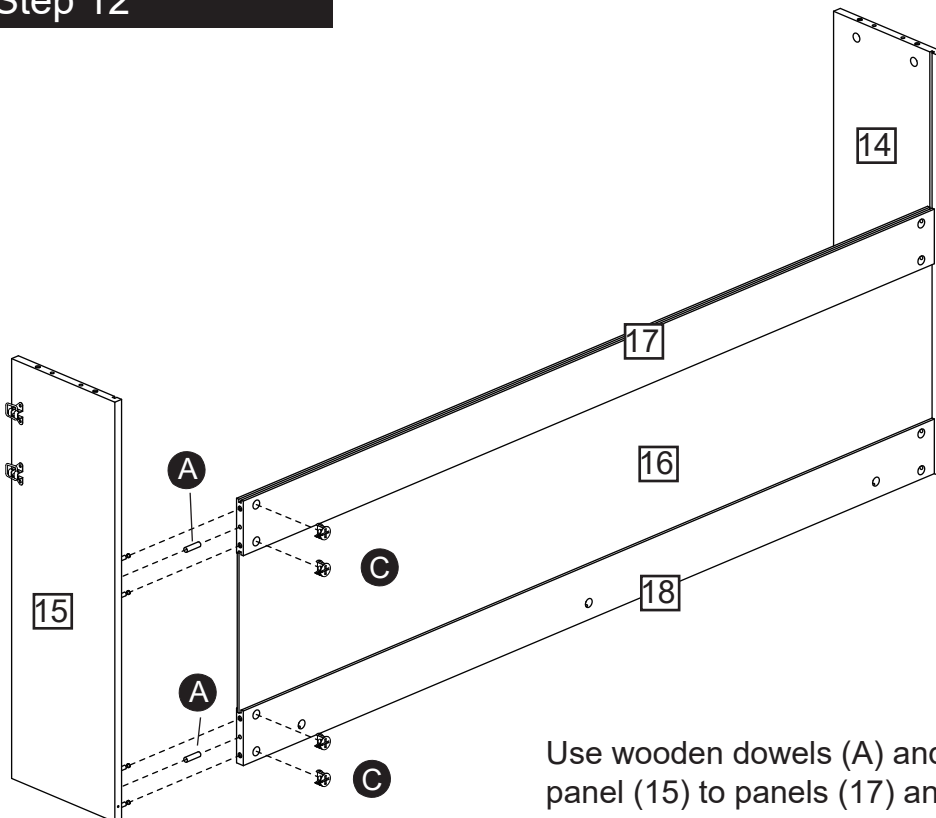


A x1
6x30mm

C x2

Step 12

Use wooden dowels (A) and cam locks (C) to connect panel (15) to panels (17) and (18), then tighten.



A x2
6x30mm

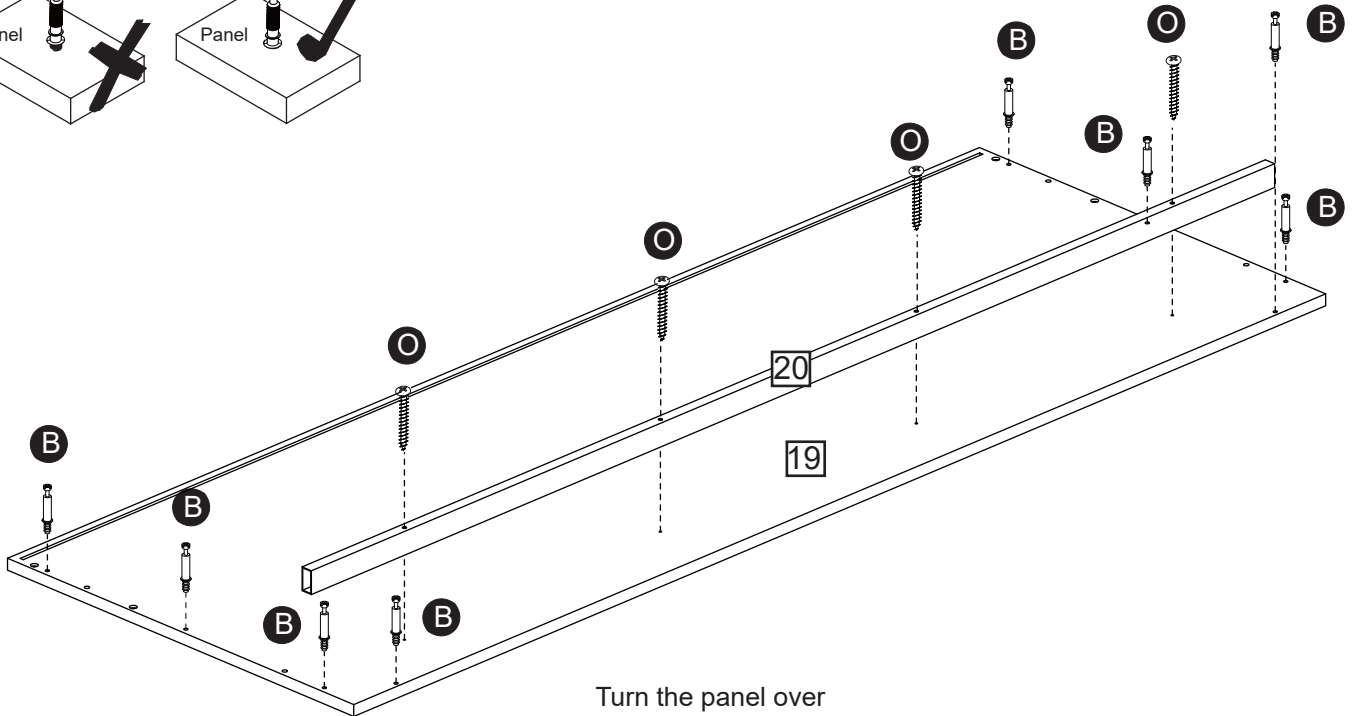
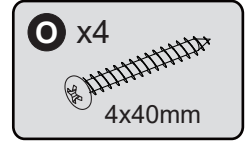
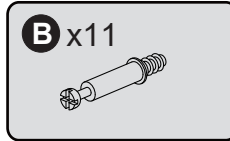
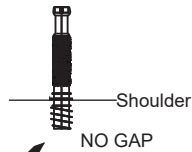
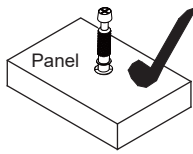
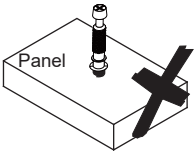
C x4

Assembly Instructions

Step 13

CAM-LOCK

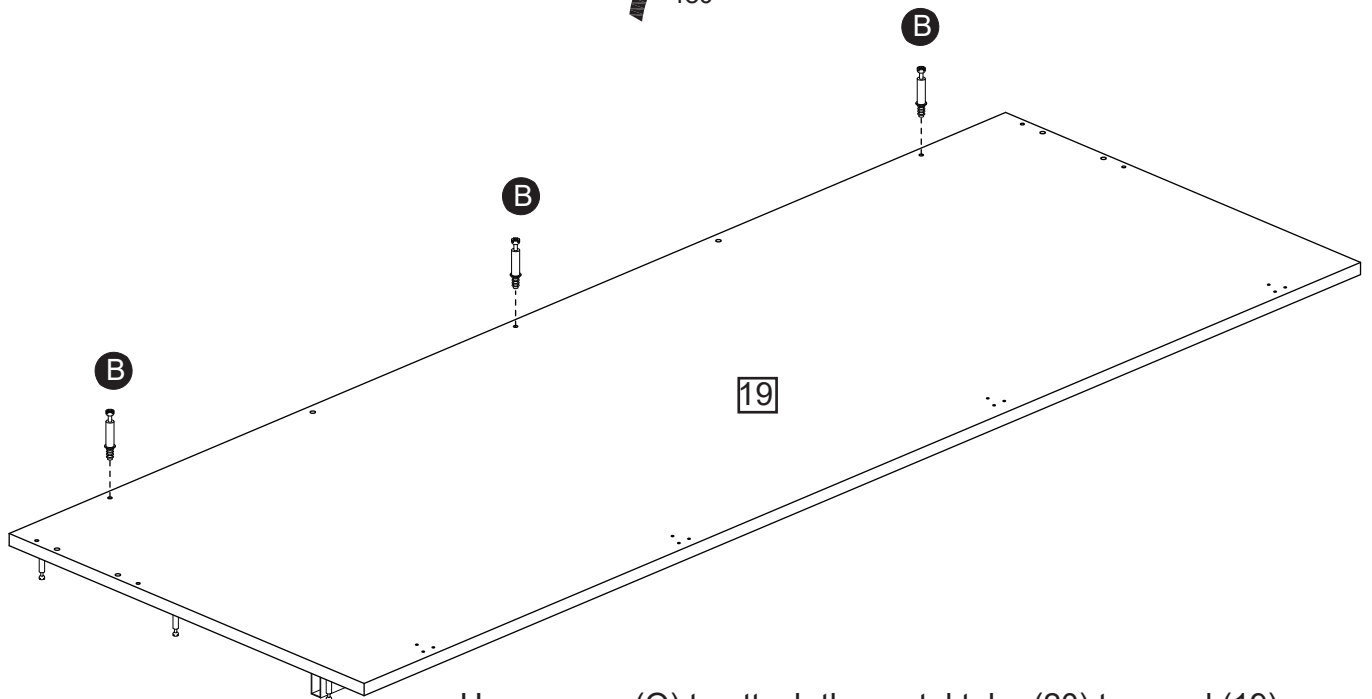
Tighten until shoulder is flush with panel. Do not overtighten or undertighten (see example below)



Turn the panel over



180°



Use screws (O) to attach the metal tube (20) to panel (19), then install threaded rods (B) onto panel (19). Turn the panel 180 degrees, and install threaded rods (B) onto panel (19) again.

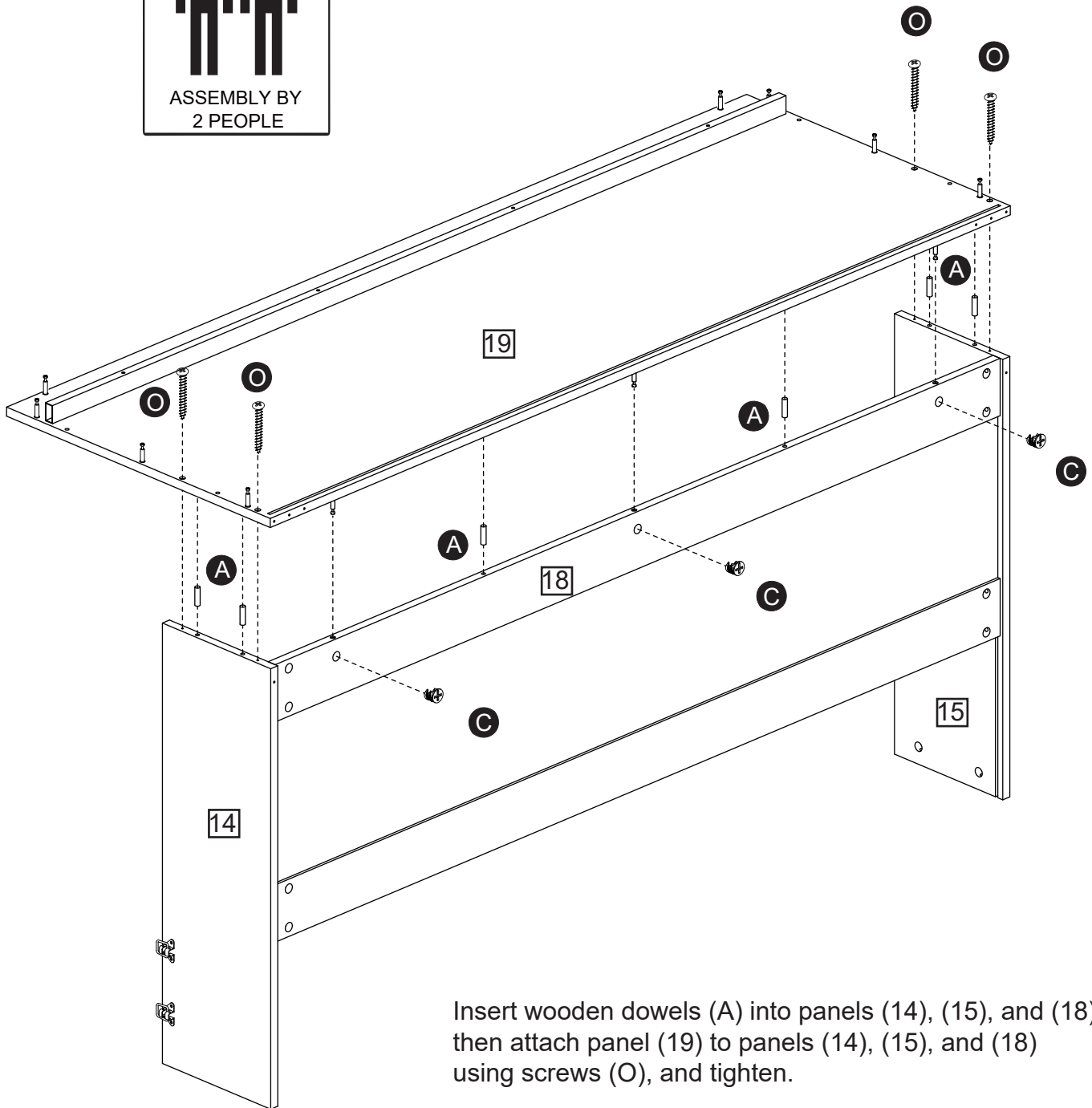
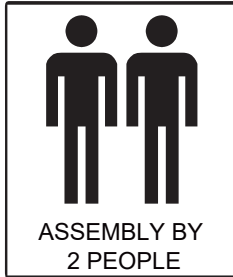
Assembly Instructions

Step 14

A x6
6x30mm

C x3

O x4
4x40mm

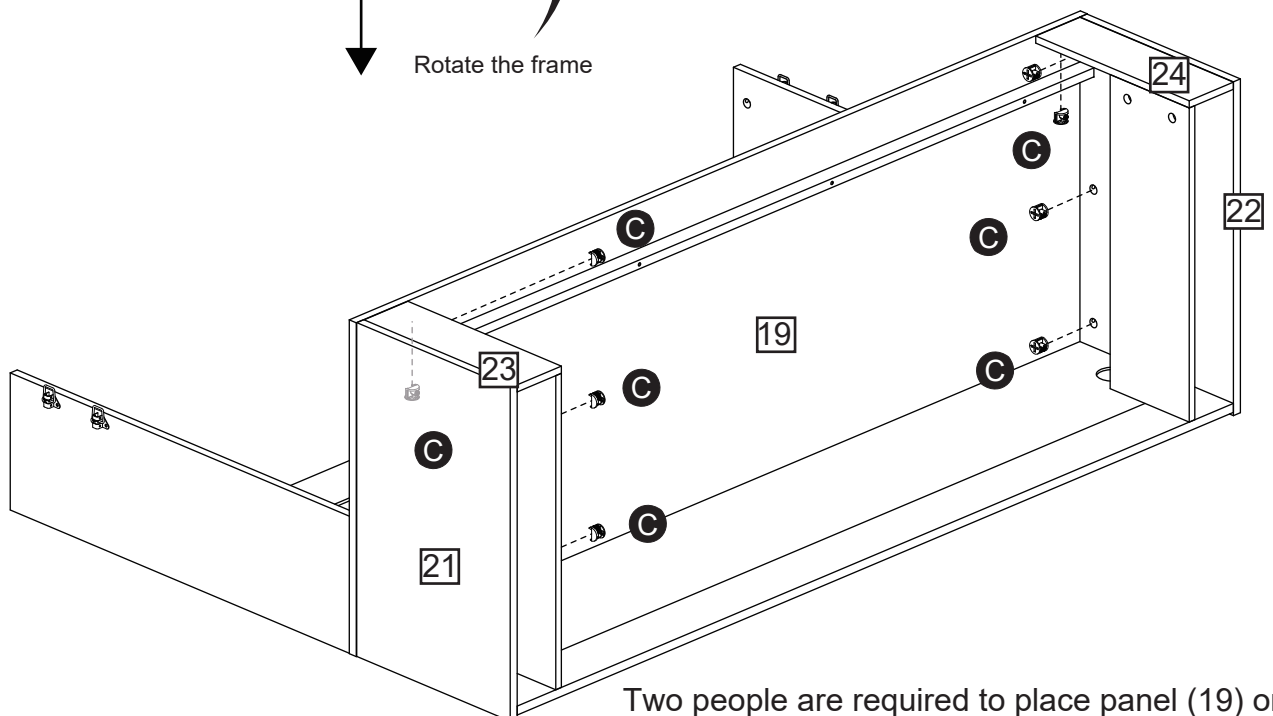
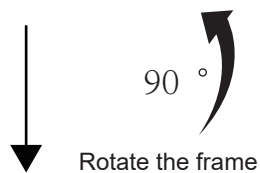
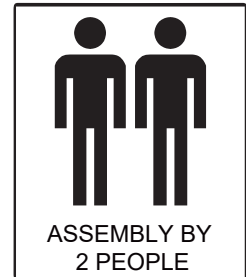
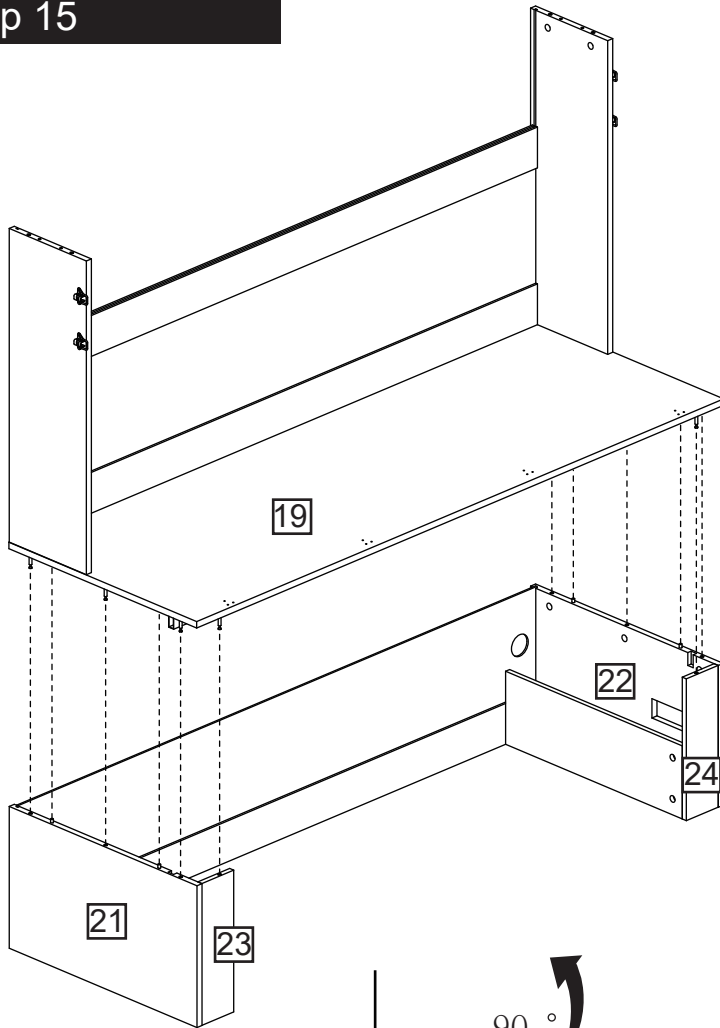


Insert wooden dowels (A) into panels (14), (15), and (18), then attach panel (19) to panels (14), (15), and (18) using screws (O), and tighten.

Assembly Instructions

Step 15

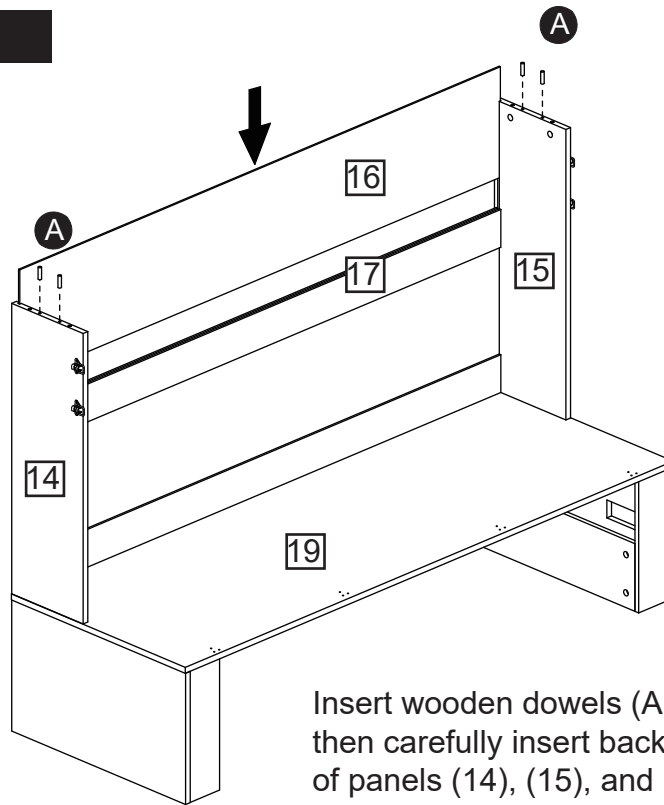
C x8



Two people are required to place panel (19) onto the unit, then tilt it backward 90 degrees, insert cam locks (C), and tighten.

Assembly Instructions

Step 16



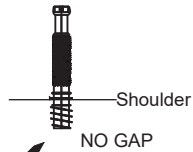
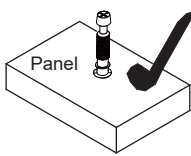
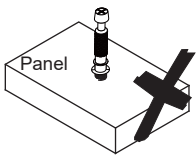
A x4
6x30mm

Insert wooden dowels (A) into panels (14) and (15), then carefully insert back panel (16) into the grooves of panels (14), (15), and (17).

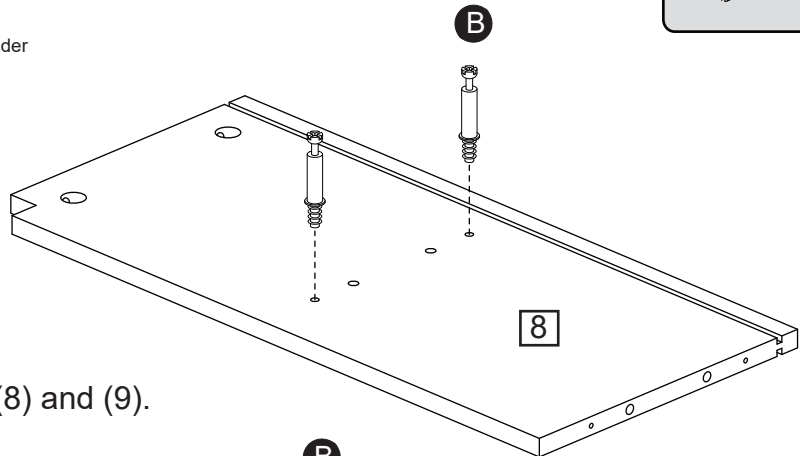
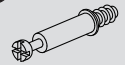
Step 17

CAM-LOCK

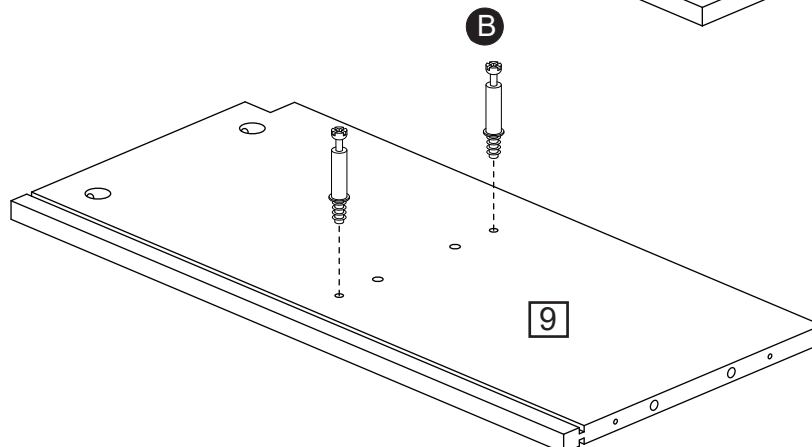
Tighten until shoulder is flush with panel. Do not overtighten or undertighten (see example below)



B x4

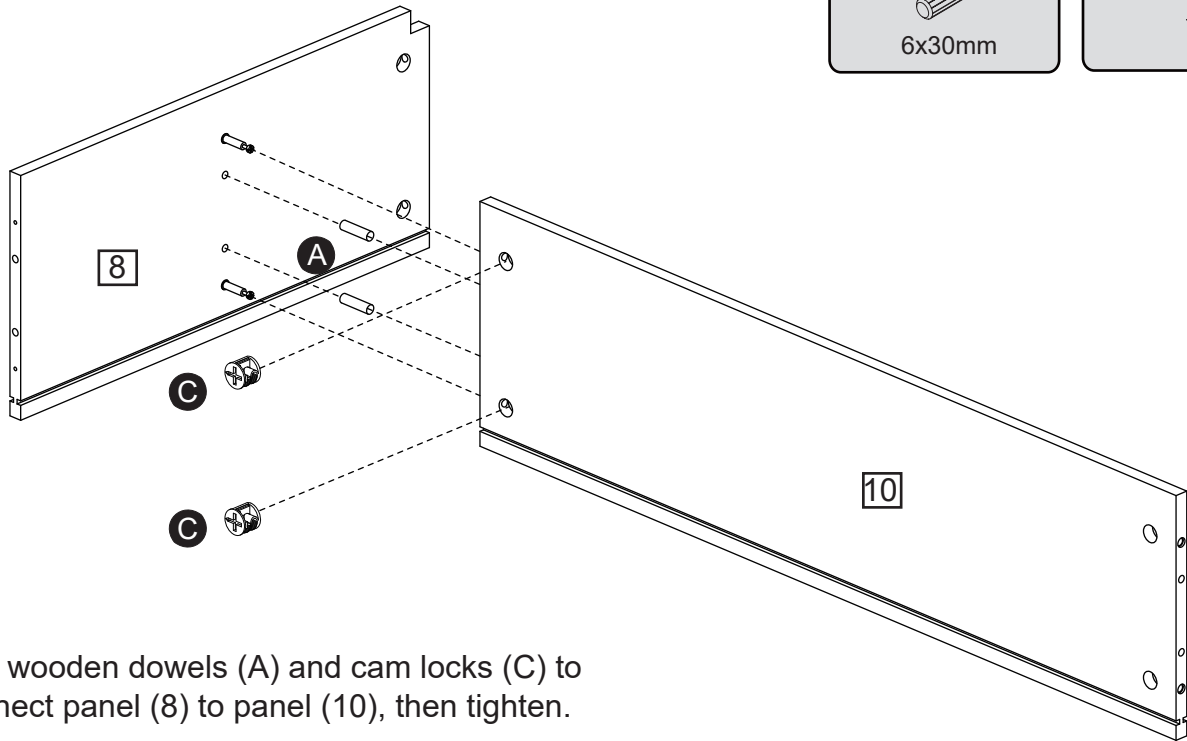


Install threaded rods (B) onto panels (8) and (9).



Assembly Instructions

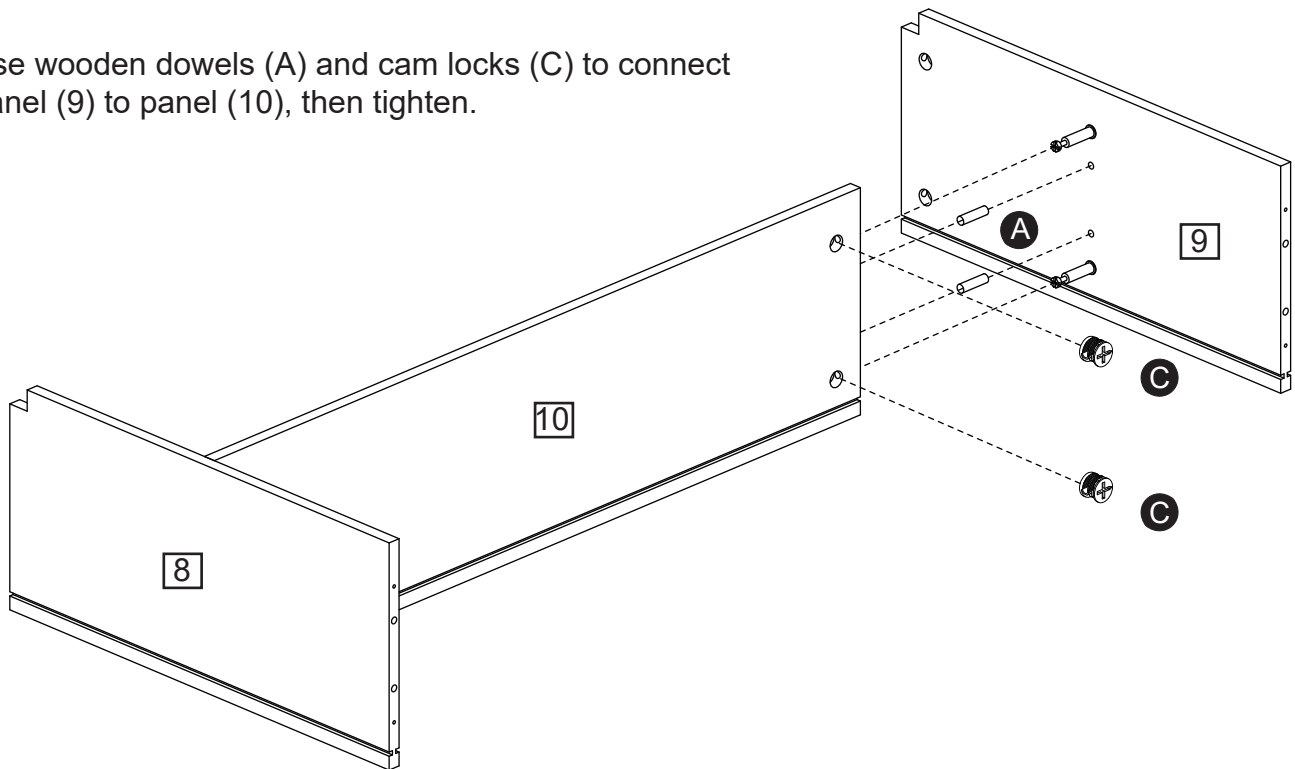
Step 18



Use wooden dowels (A) and cam locks (C) to connect panel (8) to panel (10), then tighten.

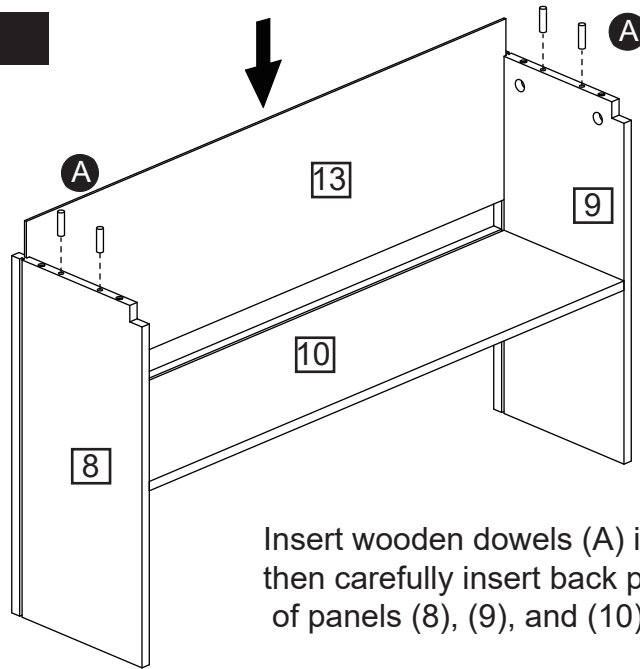
Step 19

Use wooden dowels (A) and cam locks (C) to connect panel (9) to panel (10), then tighten.



Assembly Instructions

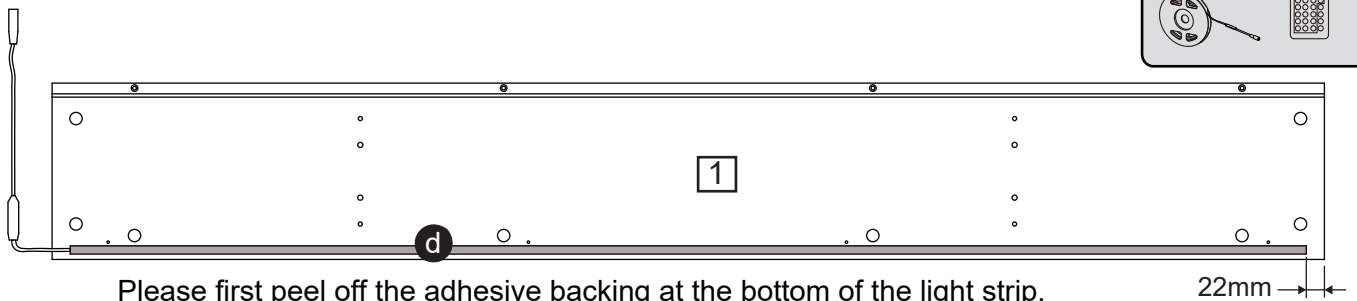
Step 20



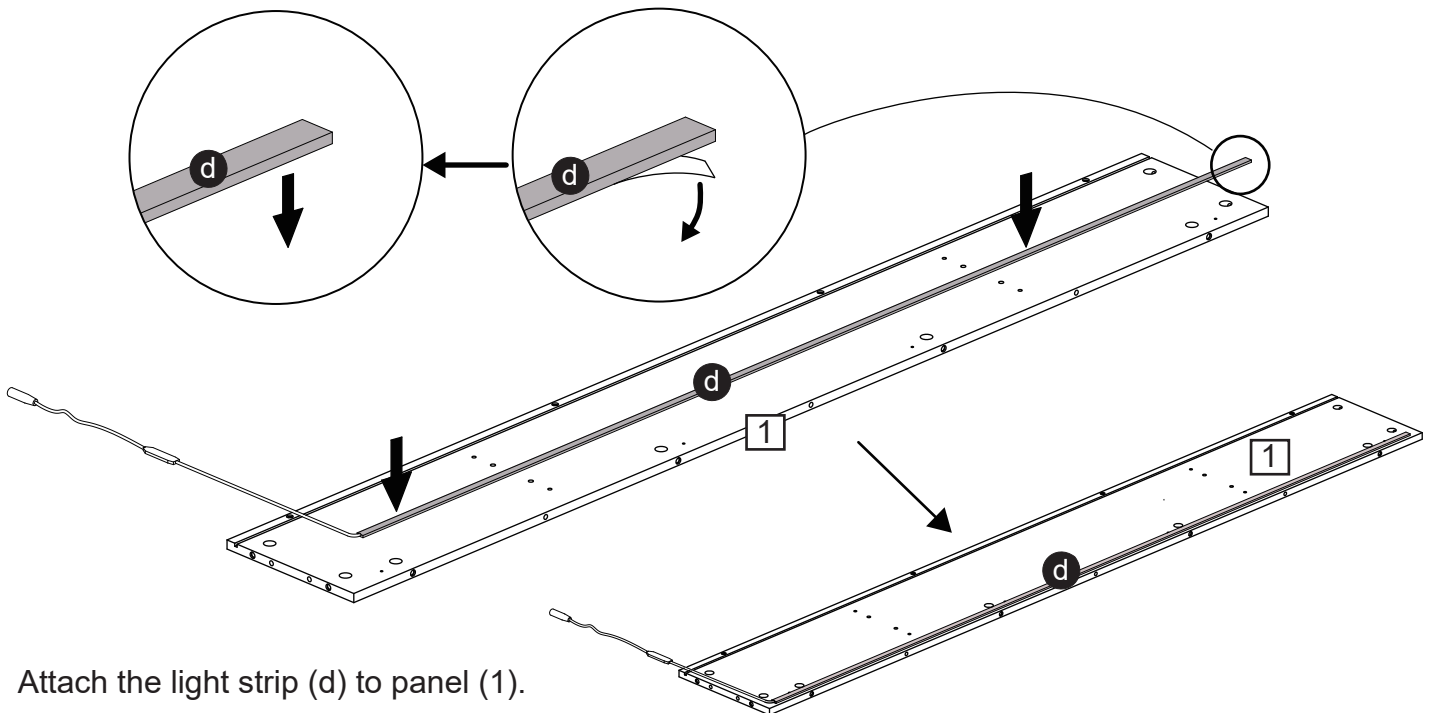
A x4
6x30mm

Insert wooden dowels (A) into panels (8) and (9), then carefully insert back panel (13) into the grooves of panels (8), (9), and (10).

Step 21



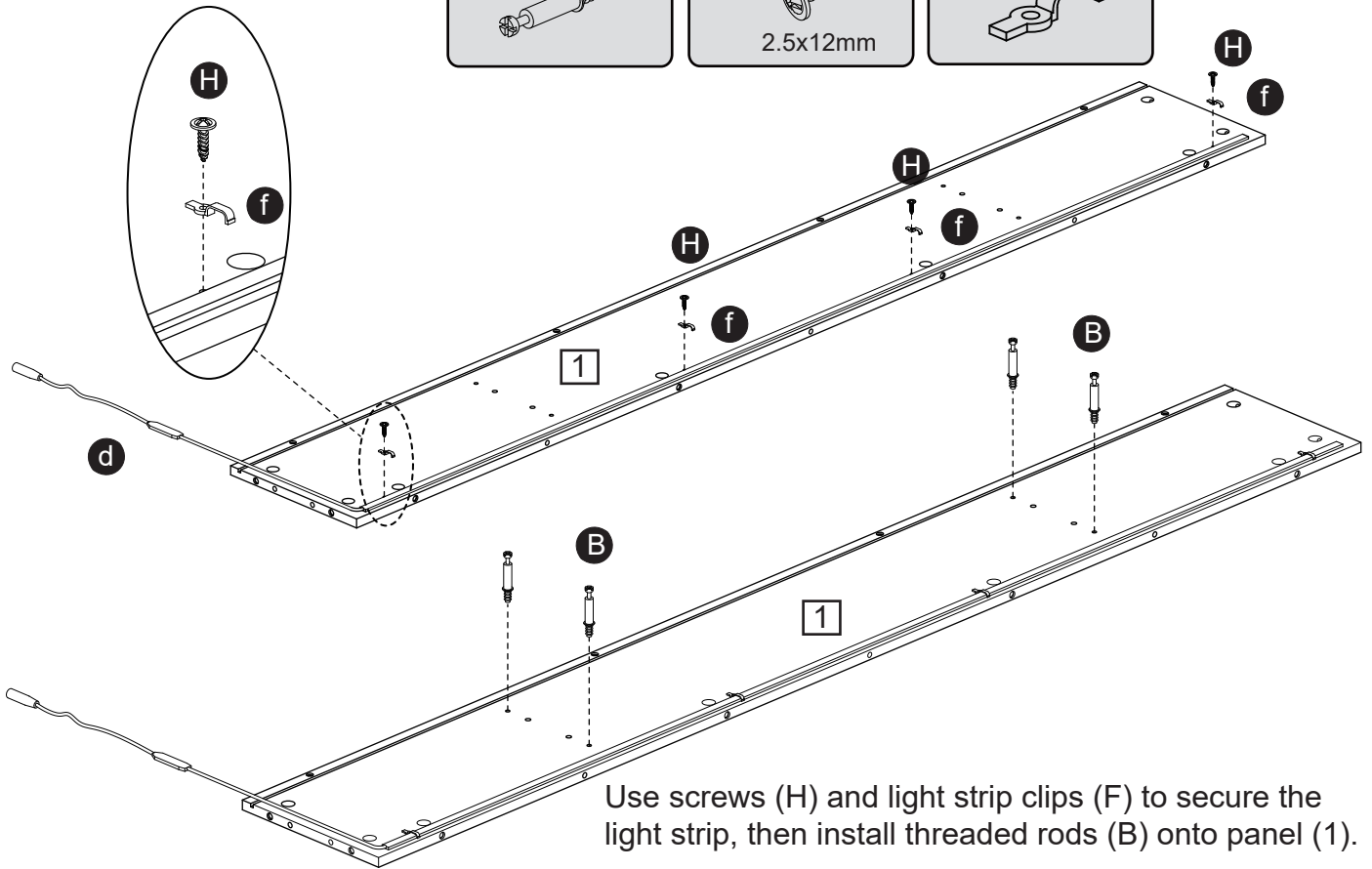
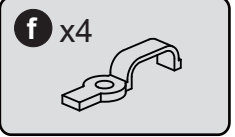
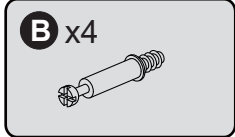
Please first peel off the adhesive backing at the bottom of the light strip, then stick it to the board.



Attach the light strip (d) to panel (1).

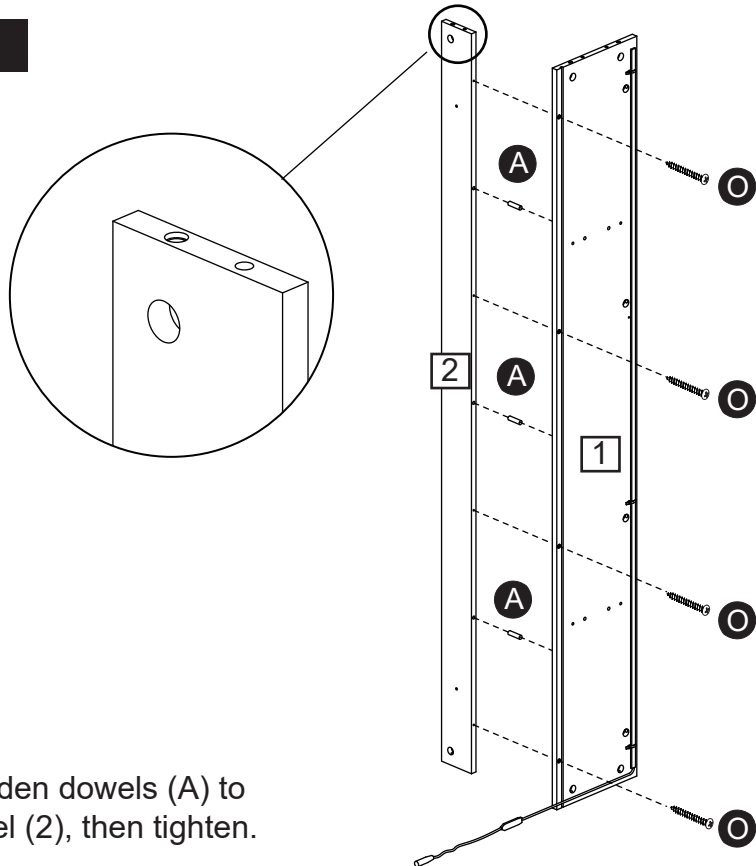
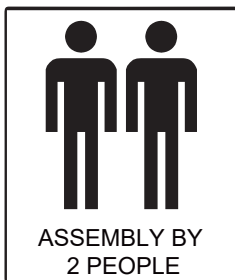
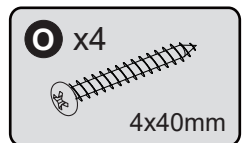
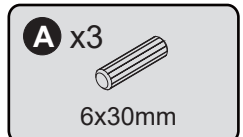
Assembly Instructions

Step 22



Use screws (H) and light strip clips (F) to secure the light strip, then install threaded rods (B) onto panel (1).

Step 23

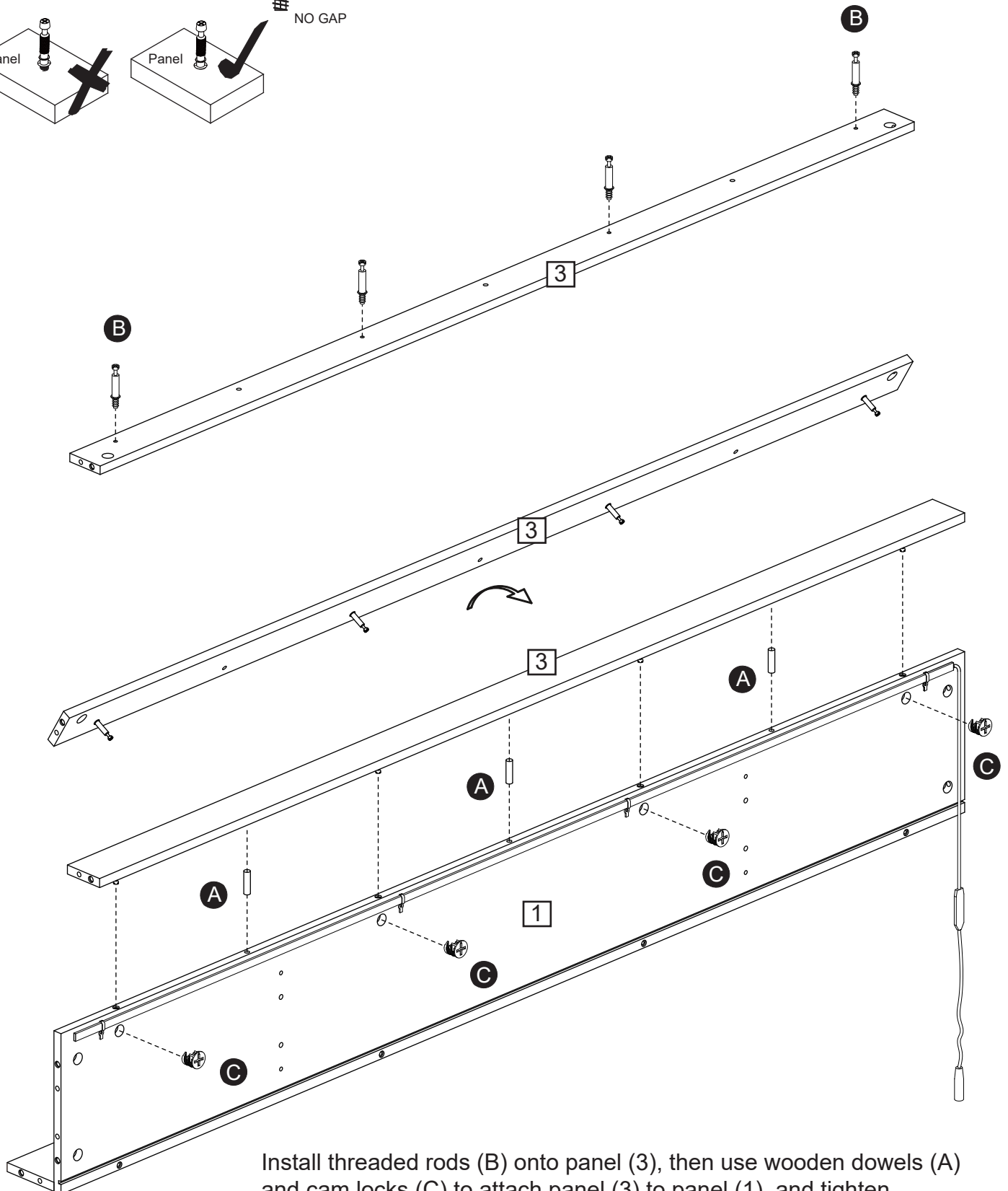
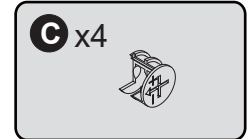
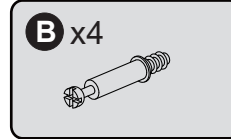
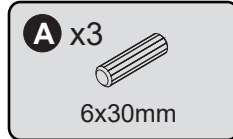
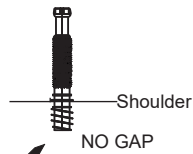
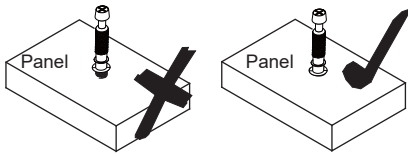


Use screws (O) and wooden dowels (A) to connect panel (1) to panel (2), then tighten.

Assembly Instructions

Step 24

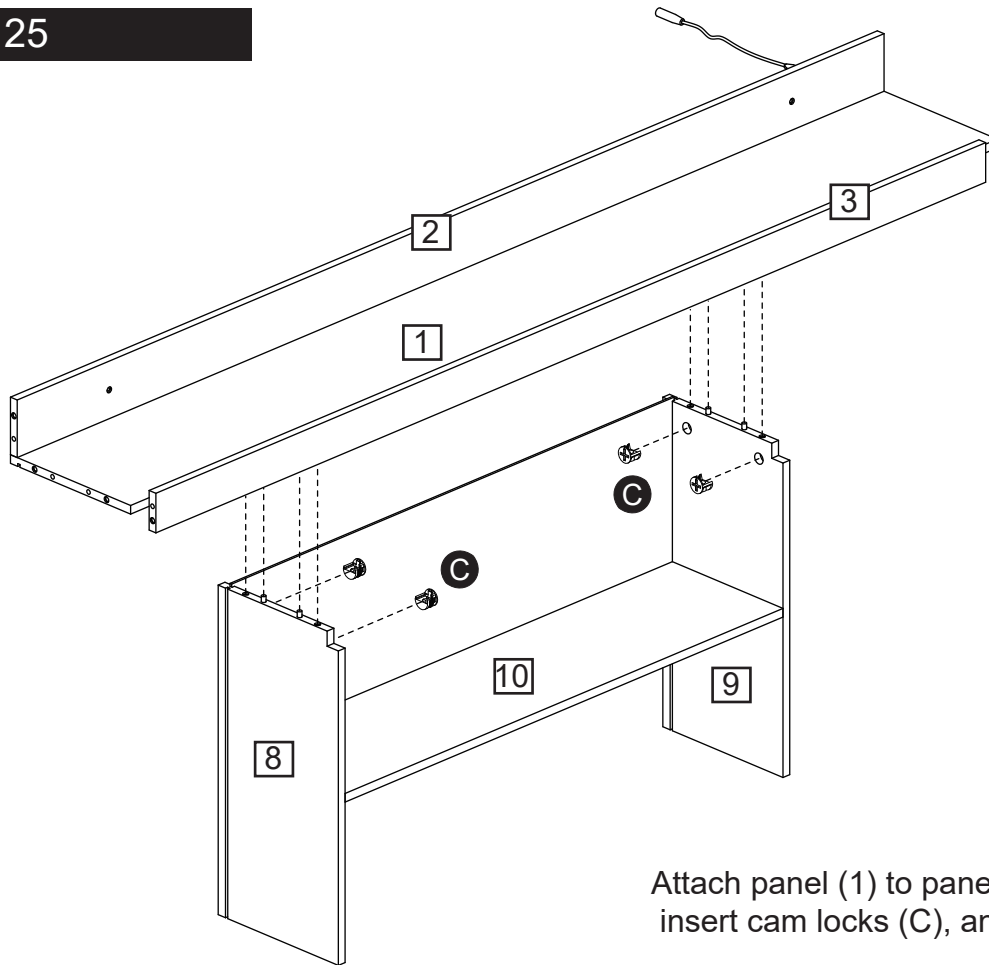
CAM-LOCK
Tighten until shoulder is flush with panel. Do not overtighten or undertighten (see example below)



Install threaded rods (B) onto panel (3), then use wooden dowels (A) and cam locks (C) to attach panel (3) to panel (1), and tighten.

Assembly Instructions

Step 25



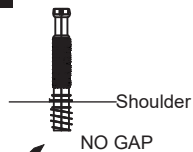
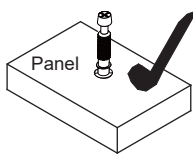
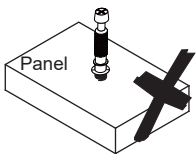
C x4



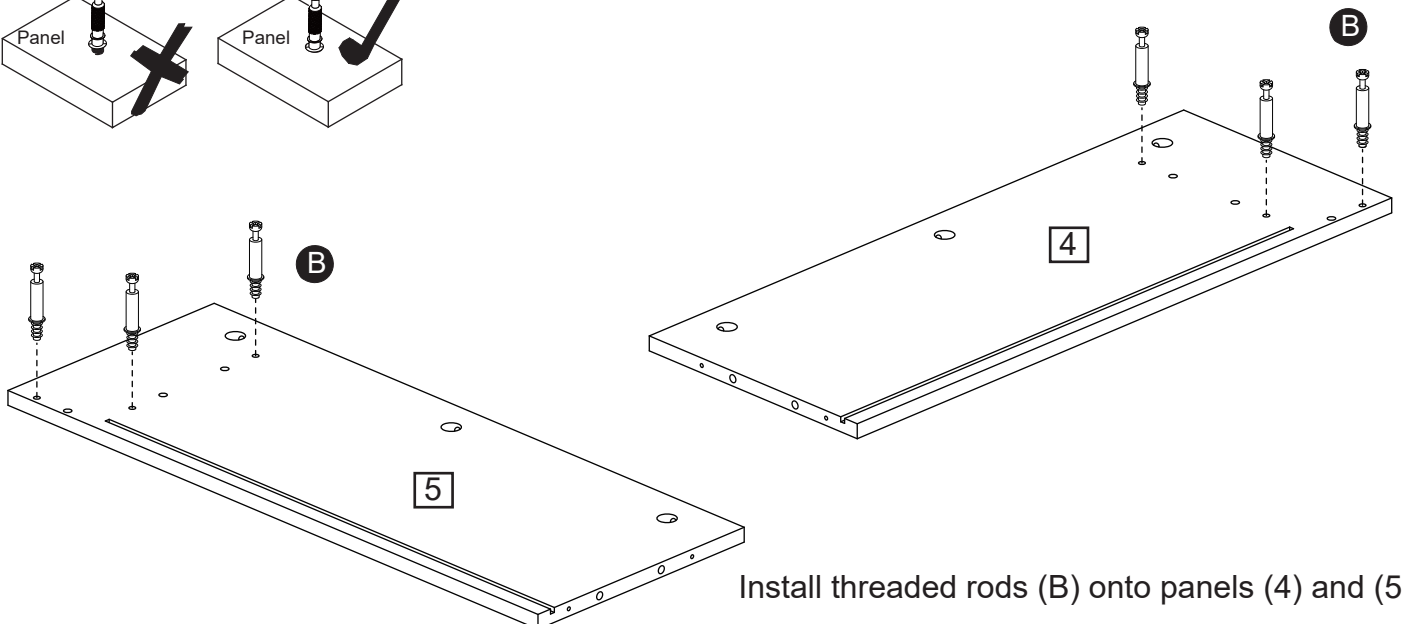
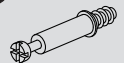
Attach panel (1) to panels (8) and (9), insert cam locks (C), and tighten.

Step 26

CAM-LOCK
Tighten until shoulder is flush with panel. Do not overtighten or undertighten (see example below)



B x6



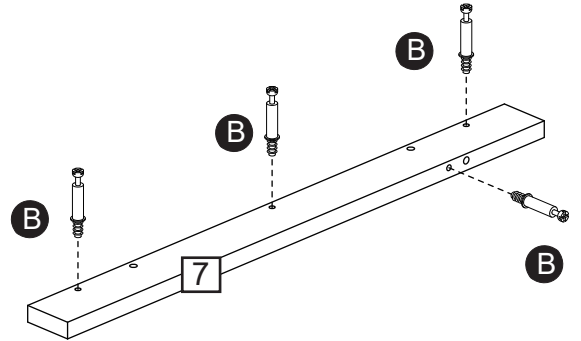
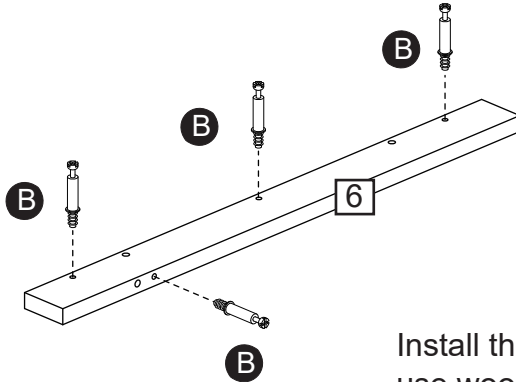
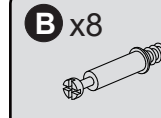
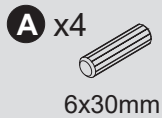
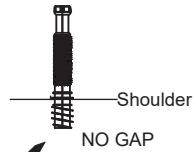
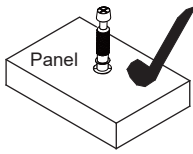
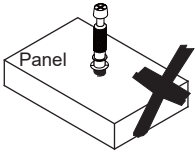
Install threaded rods (B) onto panels (4) and (5).

Assembly Instructions

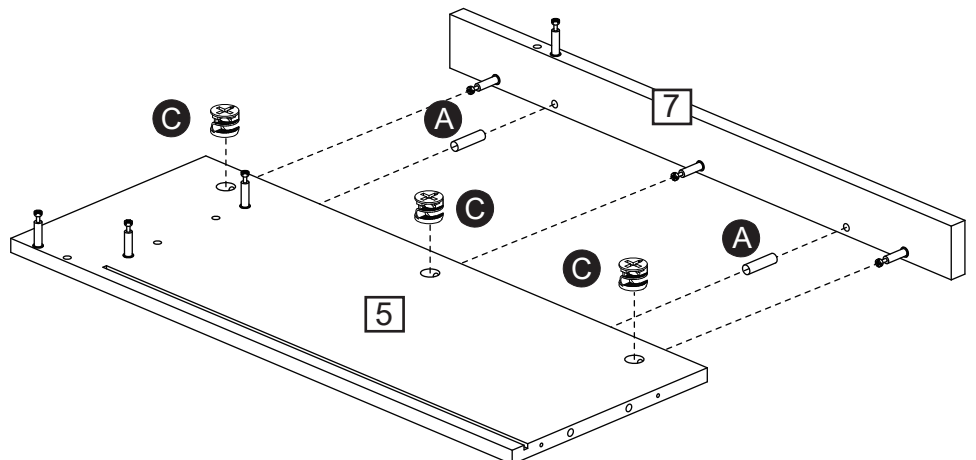
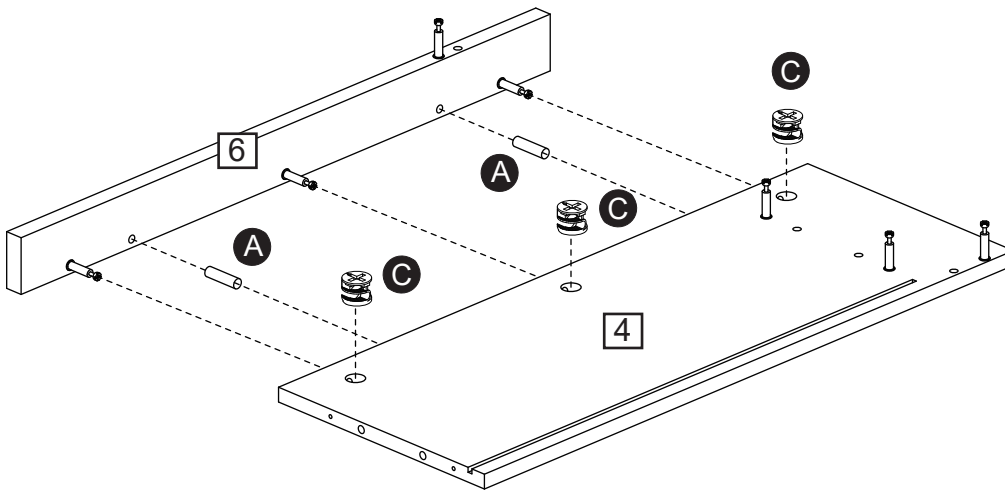
Step 27

CAM-LOCK

Tighten until shoulder is flush with panel. Do not overtighten or undertighten (see example below)

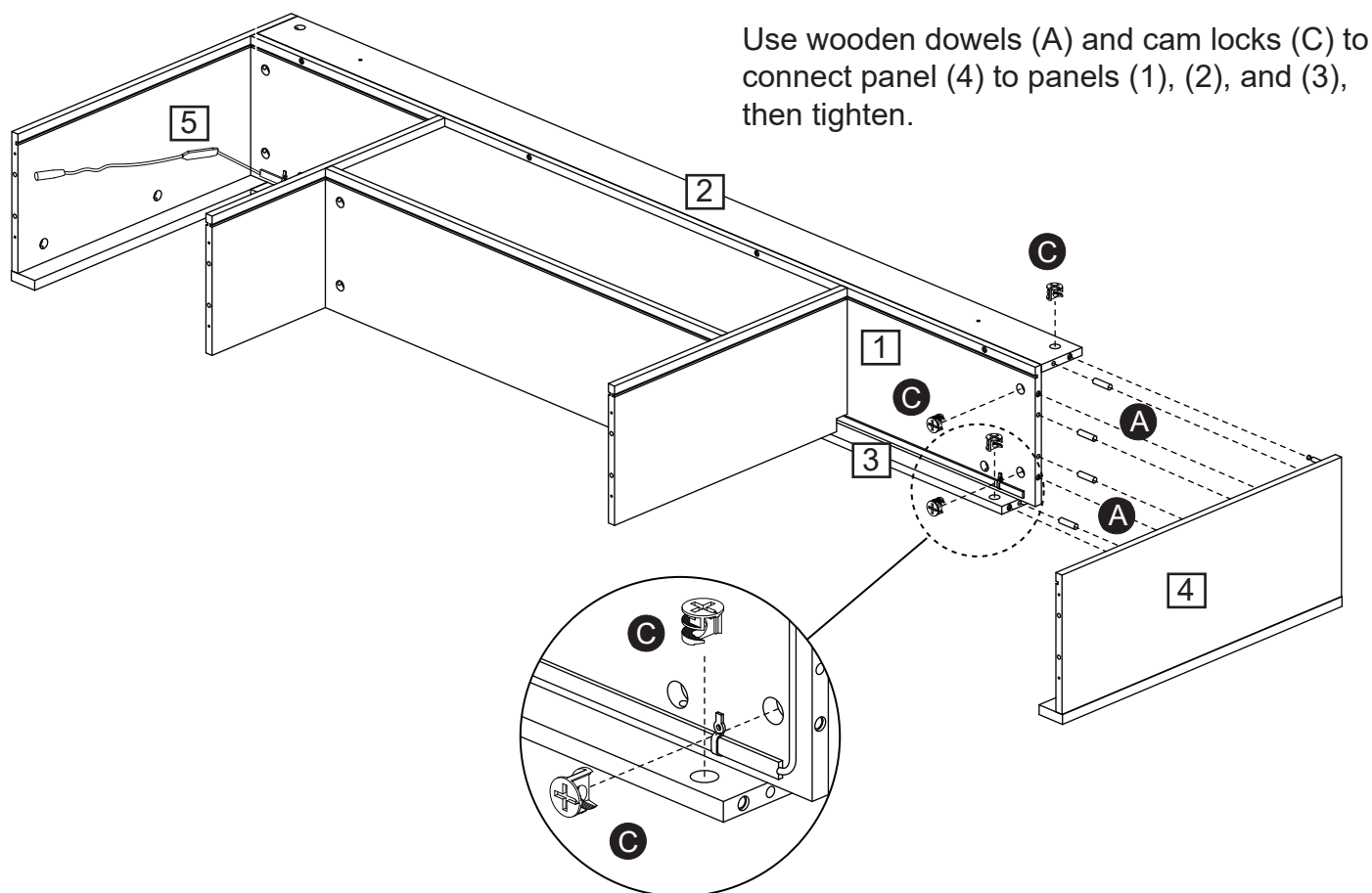
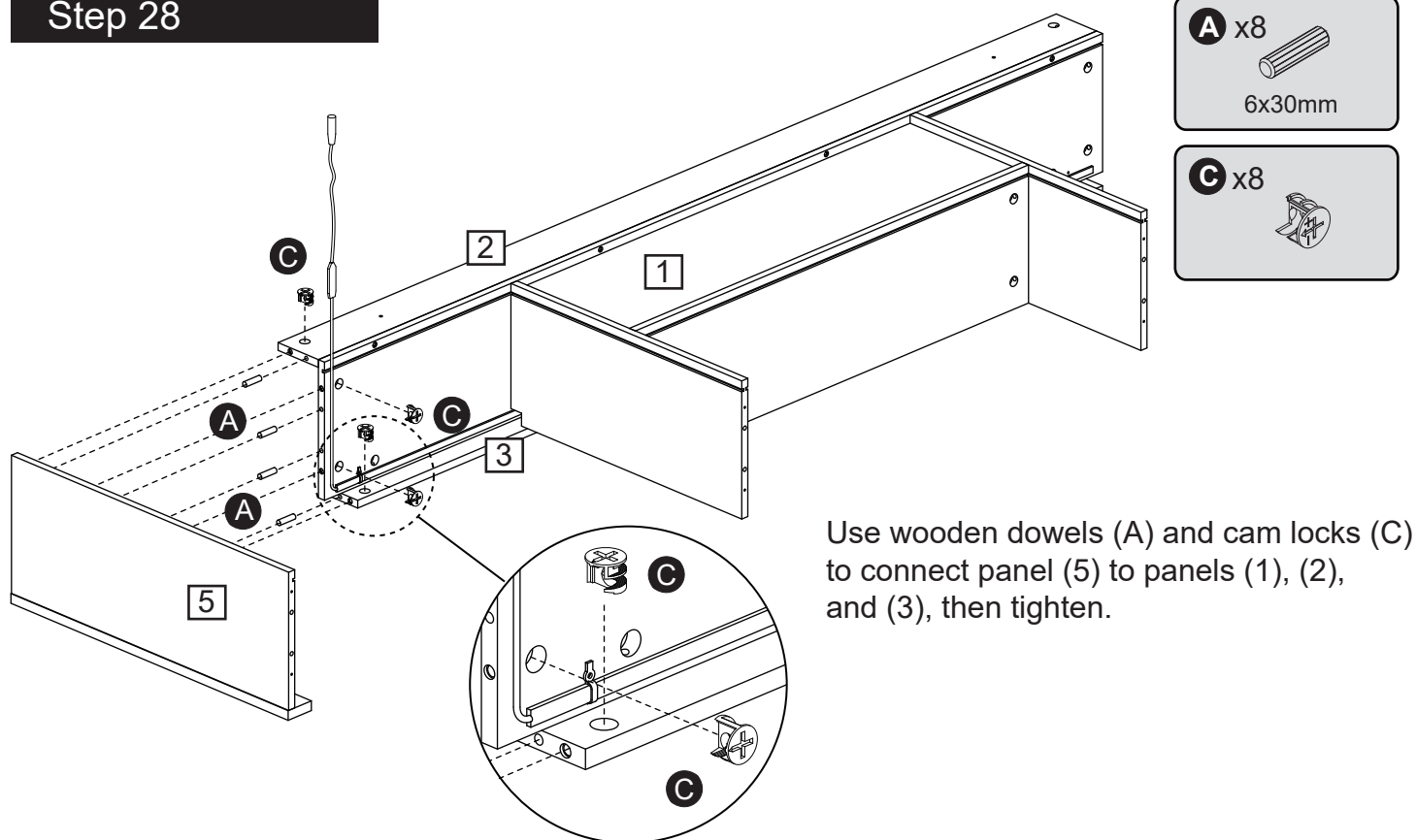


Install threaded rods (B) onto panels (6) and (7), then use wooden dowels (A) and cam locks (C) to attach panel (6) to panel (4), and panel (7) to panel (5), then tighten.



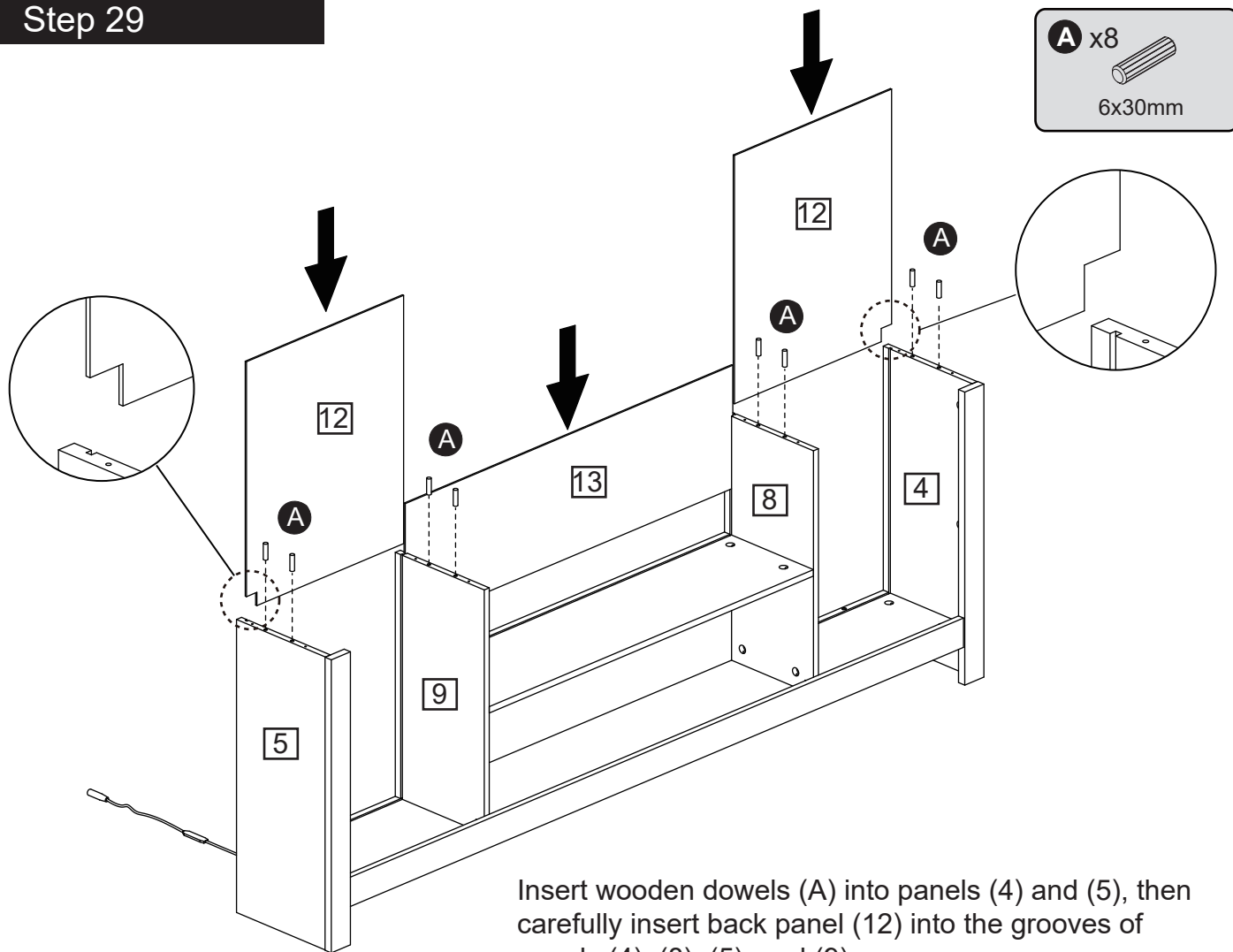
Assembly Instructions

Step 28



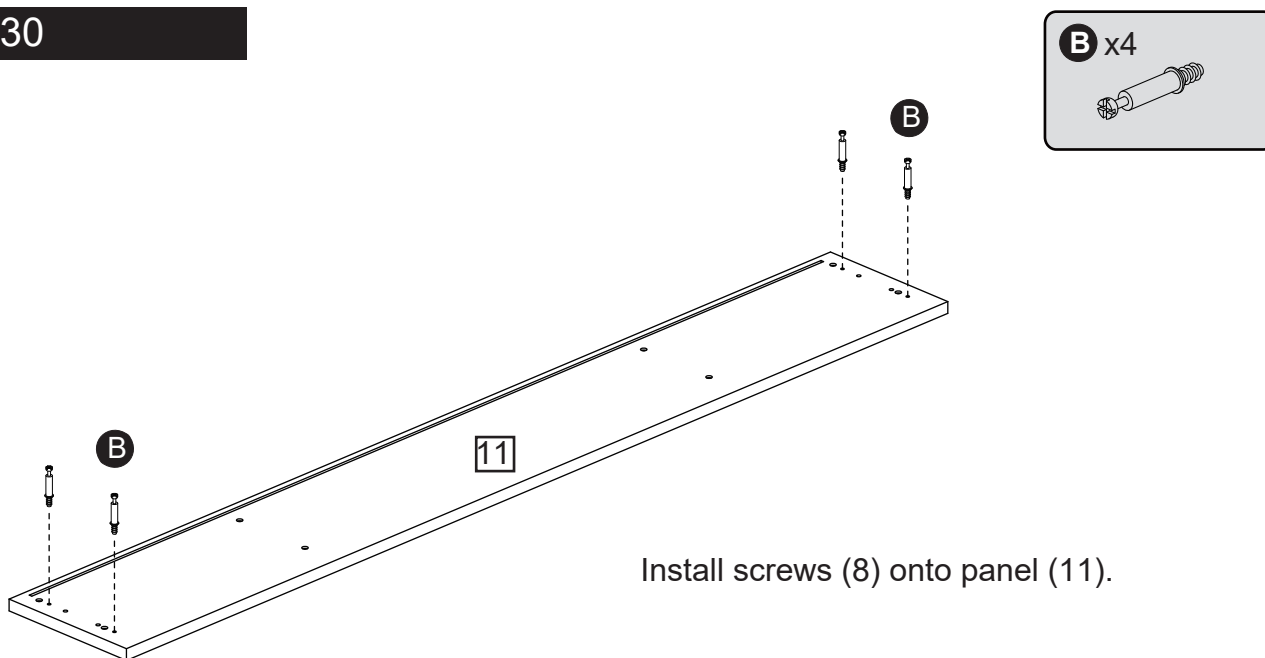
Assembly Instructions

Step 29



Insert wooden dowels (A) into panels (4) and (5), then carefully insert back panel (12) into the grooves of panels (4), (8), (5), and (9).

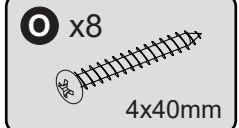
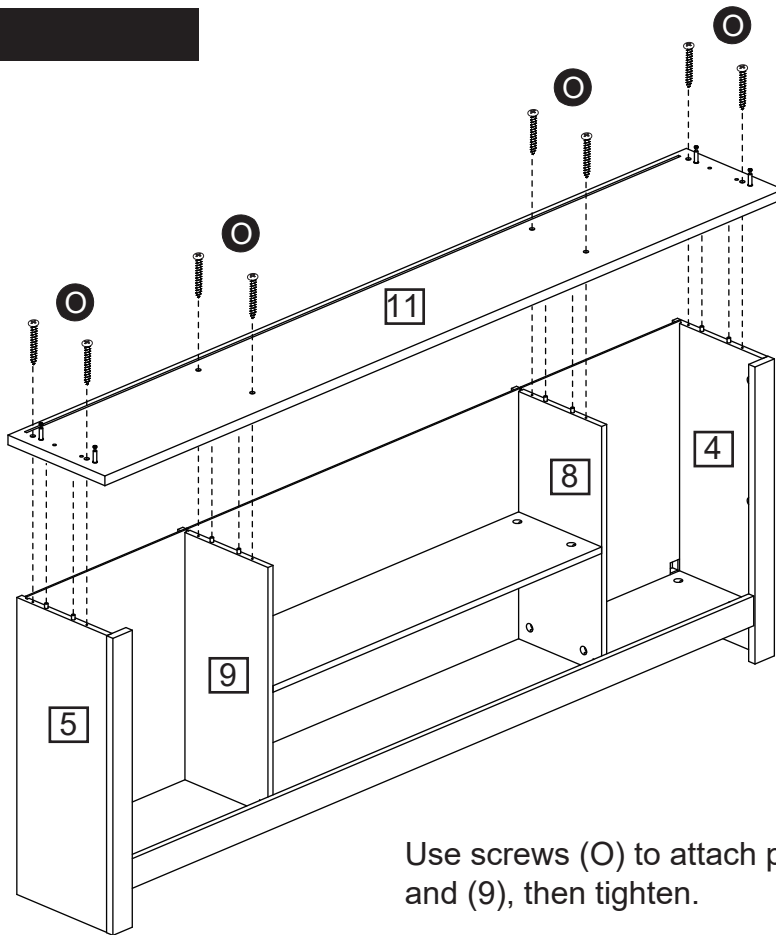
Step 30



Install screws (8) onto panel (11).

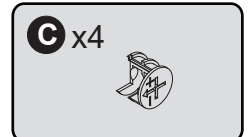
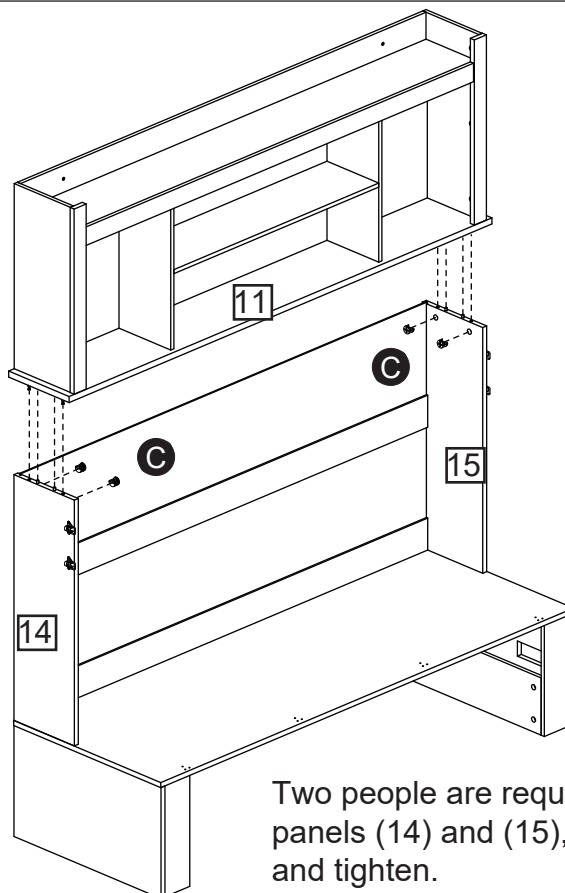
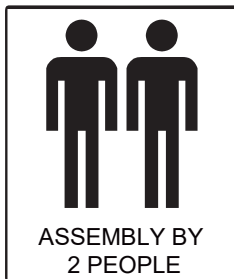
Assembly Instructions

Step 31



Use screws (O) to attach panel (11) to panels (4), (8), (5), and (9), then tighten.

Step 32



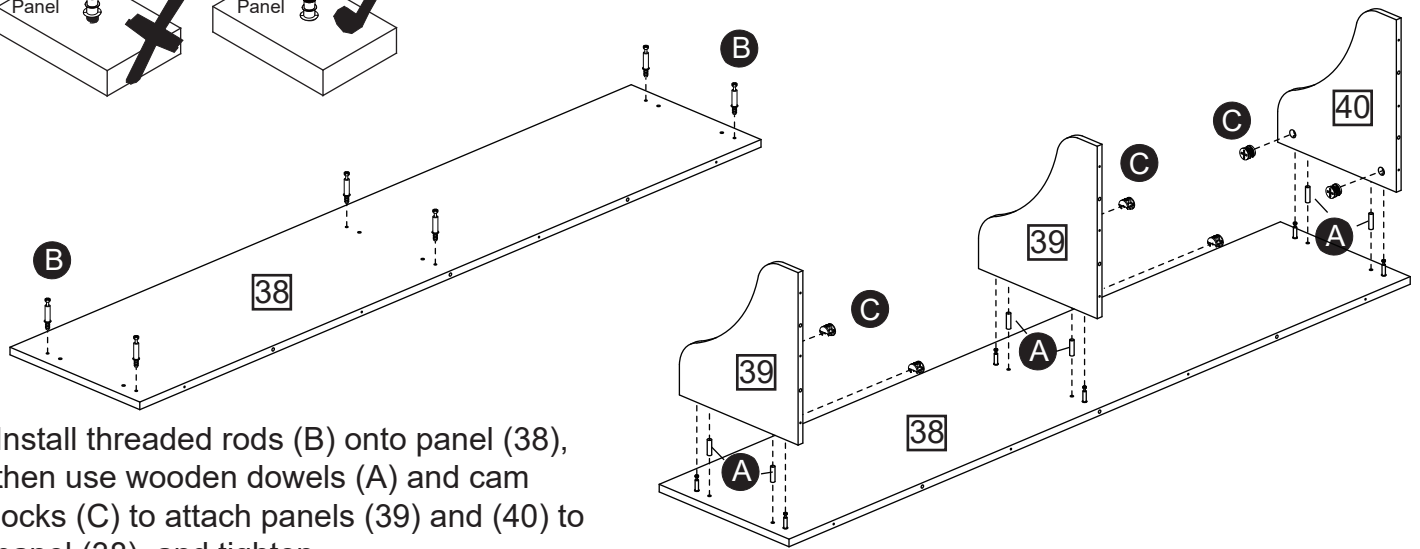
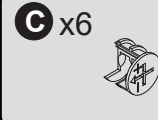
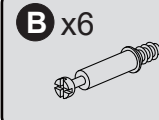
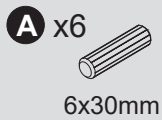
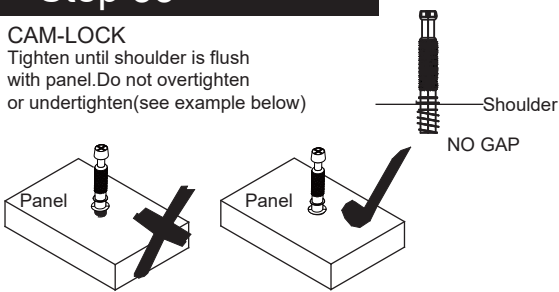
Two people are required to attach panel (11) to panels (14) and (15), insert cam locks (C), and tighten.

Assembly Instructions

Step 33

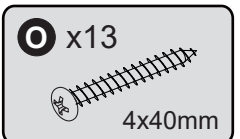
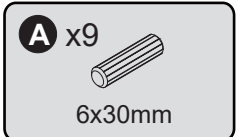
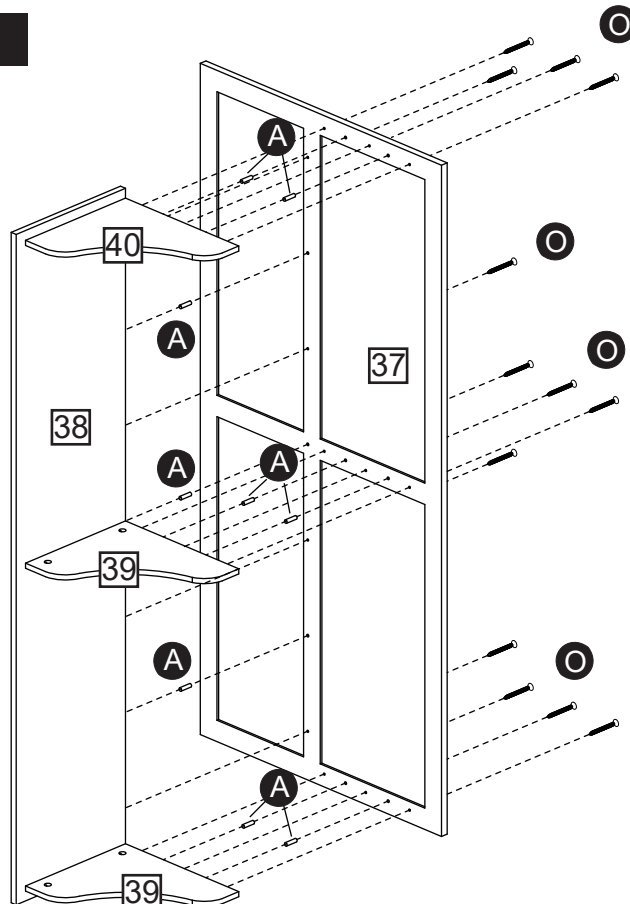
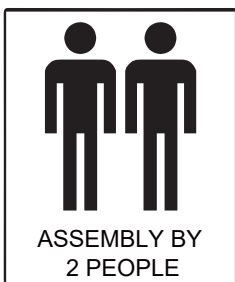
CAM-LOCK

Tighten until shoulder is flush with panel. Do not overtighten or undertighten (see example below)



Install threaded rods (B) onto panel (38), then use wooden dowels (A) and cam locks (C) to attach panels (39) and (40) to panel (38), and tighten.

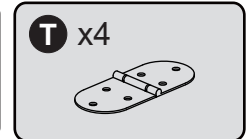
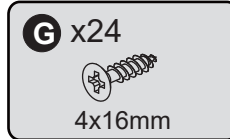
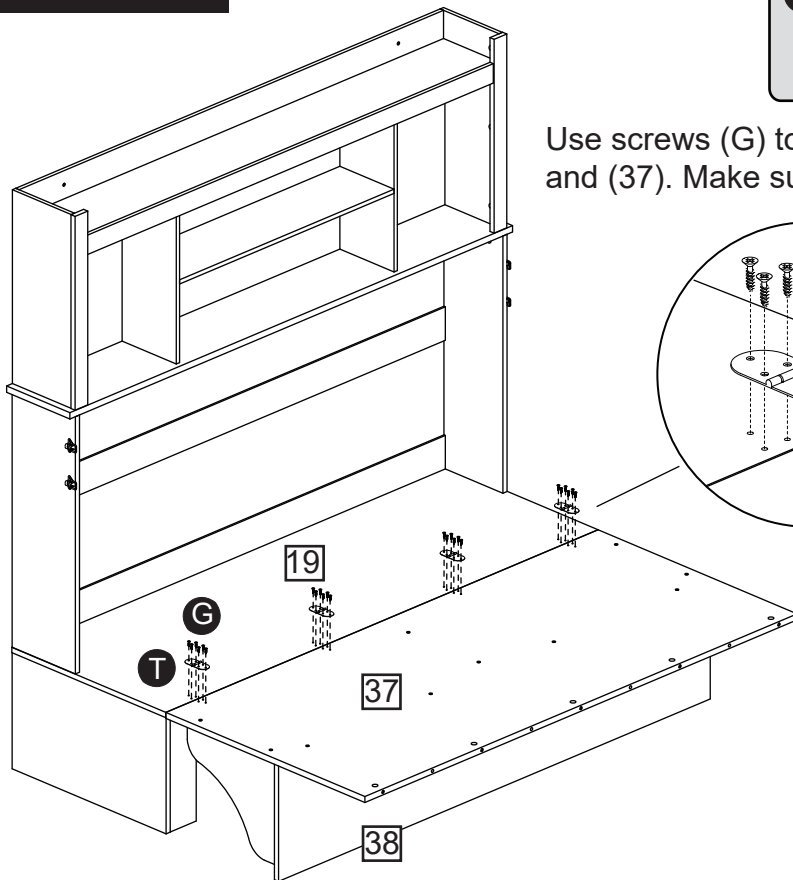
Step 34



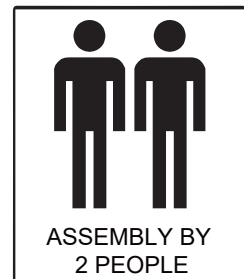
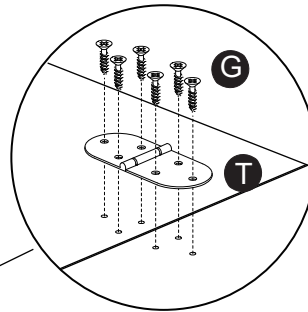
Insert wooden dowels (A), then attach panel (37) to panels (38), (39), and (40) using screws (O), and tighten.

Assembly Instructions

Step 35



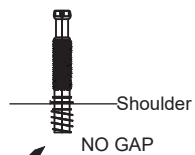
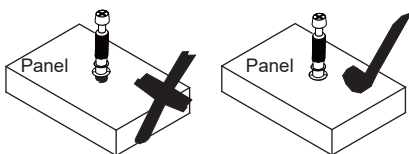
Use screws (G) to attach hinges (T) to panels (19) and (37). Make sure the screws are tightened evenly.



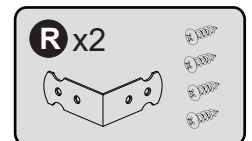
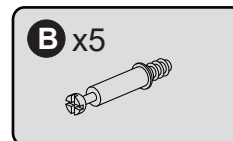
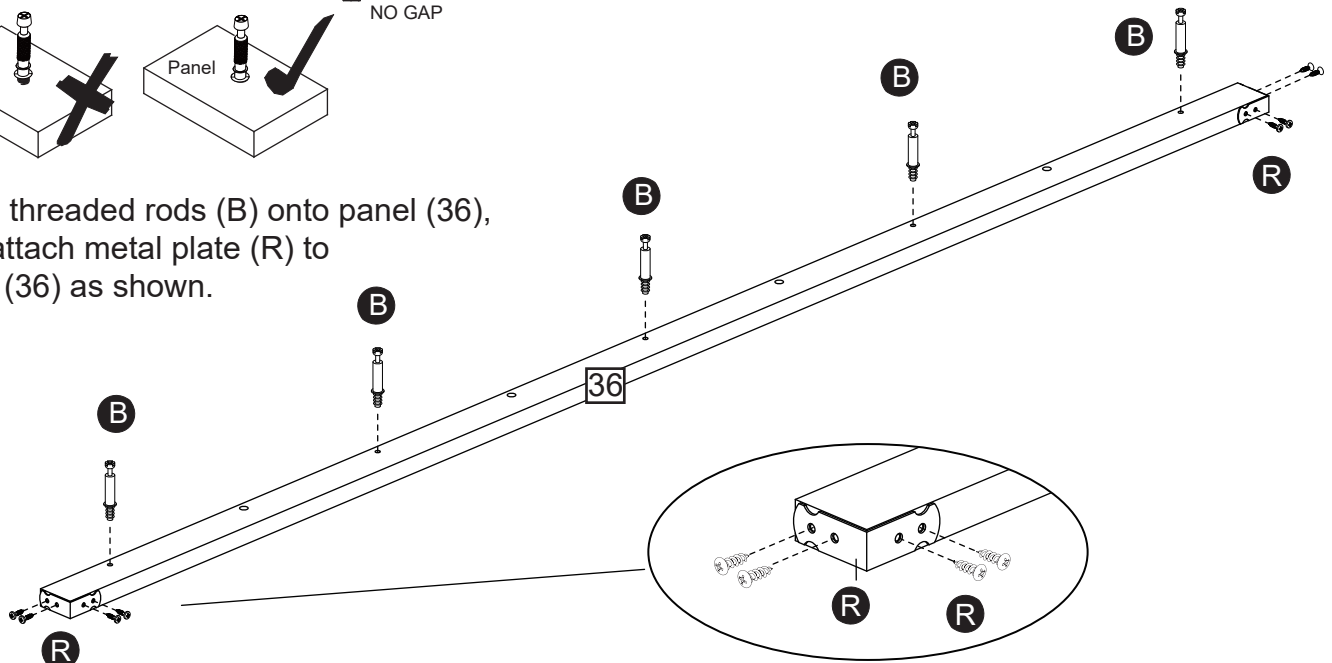
ASSEMBLY BY
2 PEOPLE

Step 36

CAM-LOCK
Tighten until shoulder is flush with panel. Do not overtighten or undertighten (see example below)

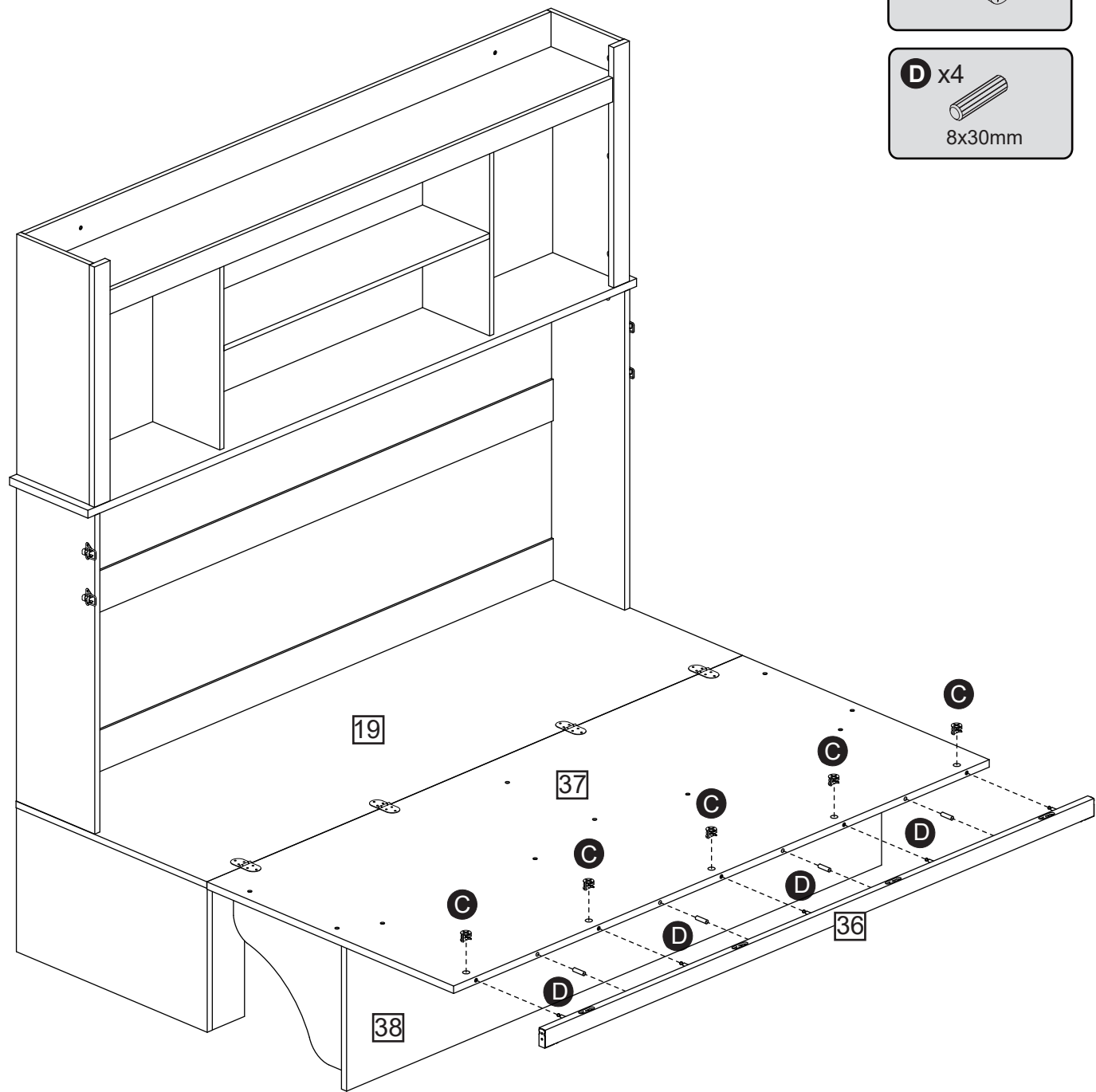
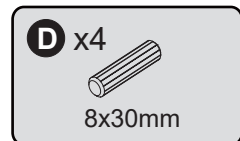
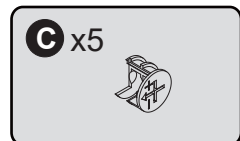


Install threaded rods (B) onto panel (36), then attach metal plate (R) to panel (36) as shown.



Assembly Instructions

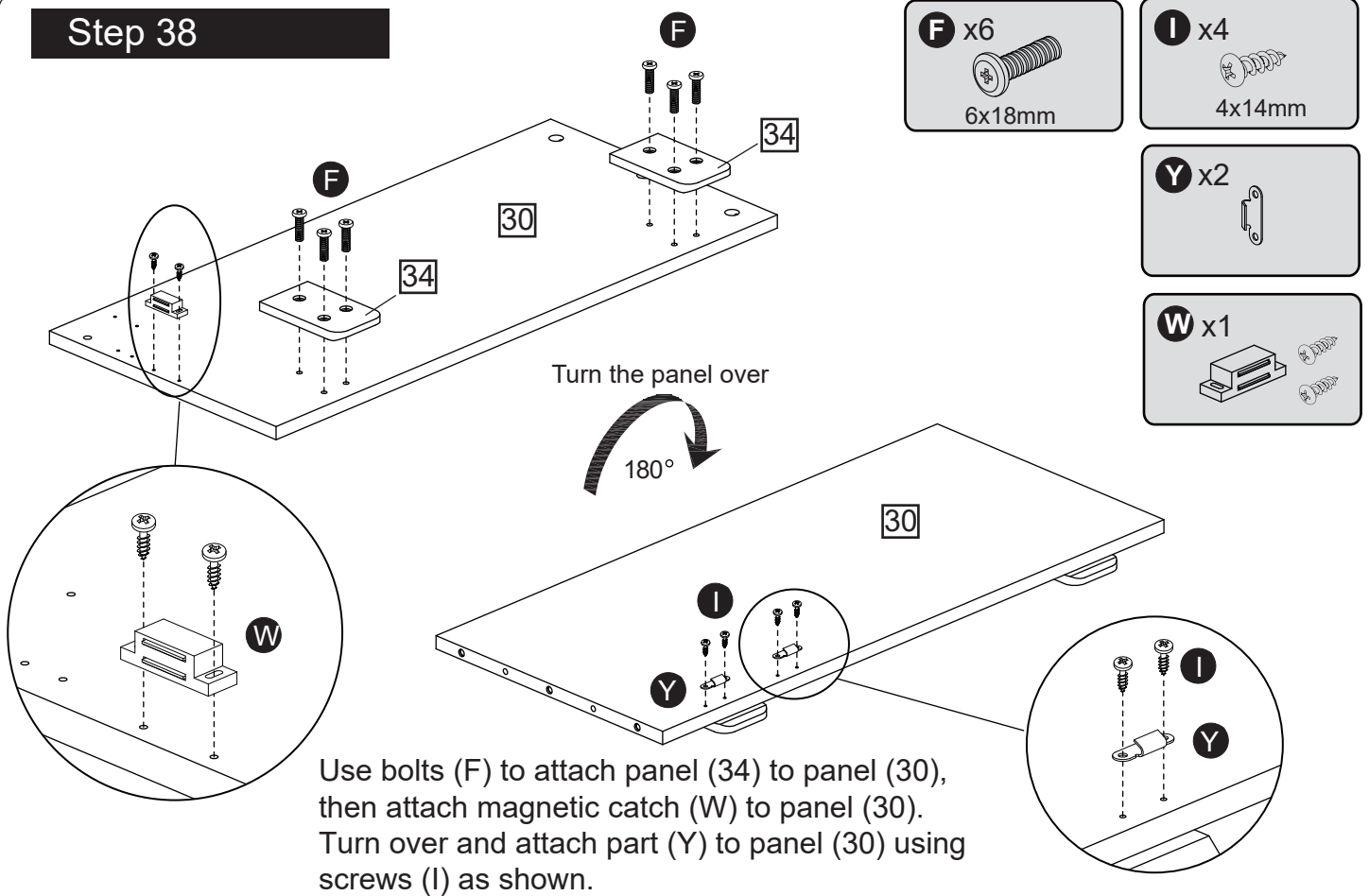
Step 37



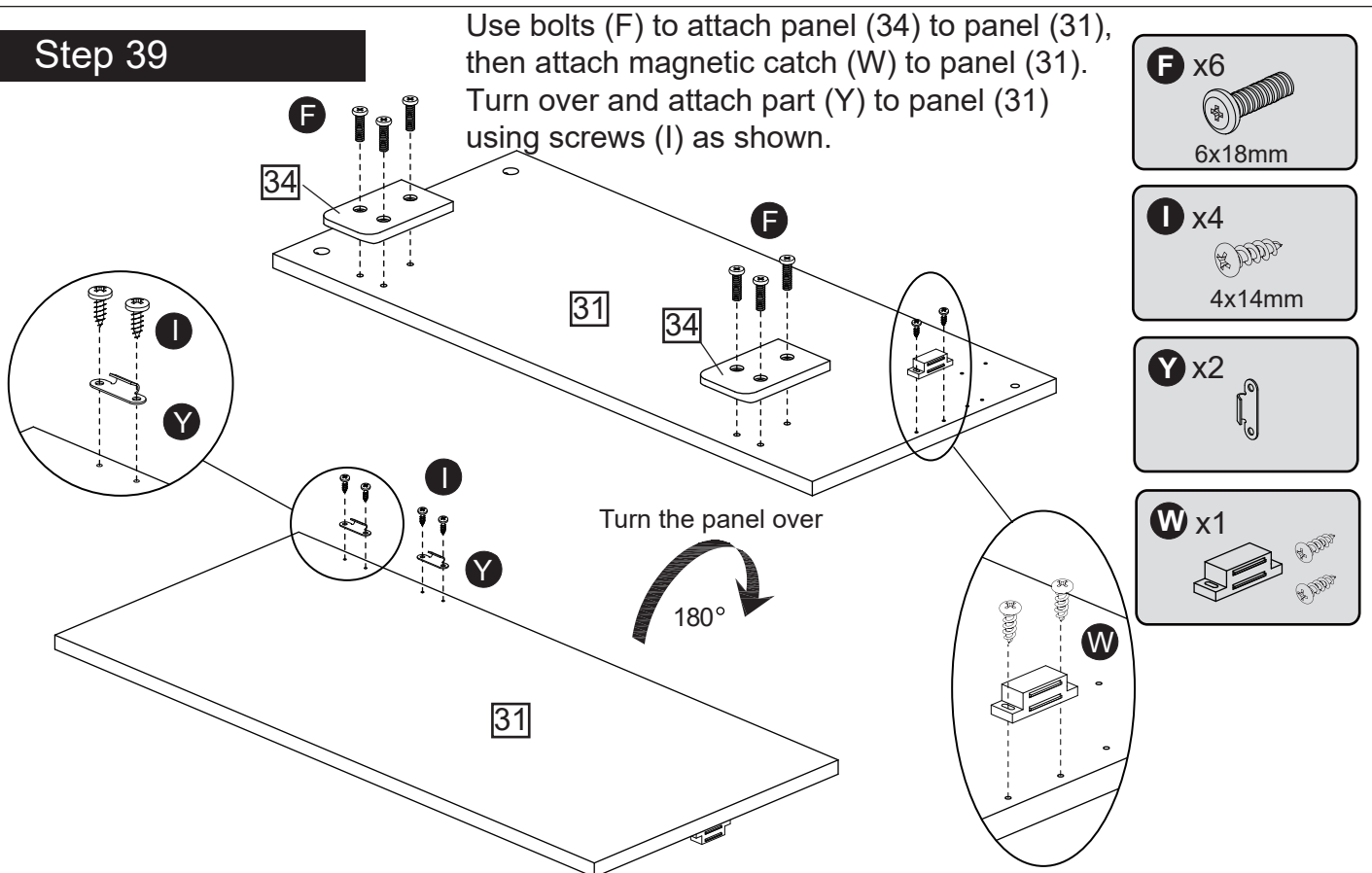
Insert wooden dowel (D), then attach panel (36) to panel (37), insert cam lock (C), and tighten.

Assembly Instructions

Step 38

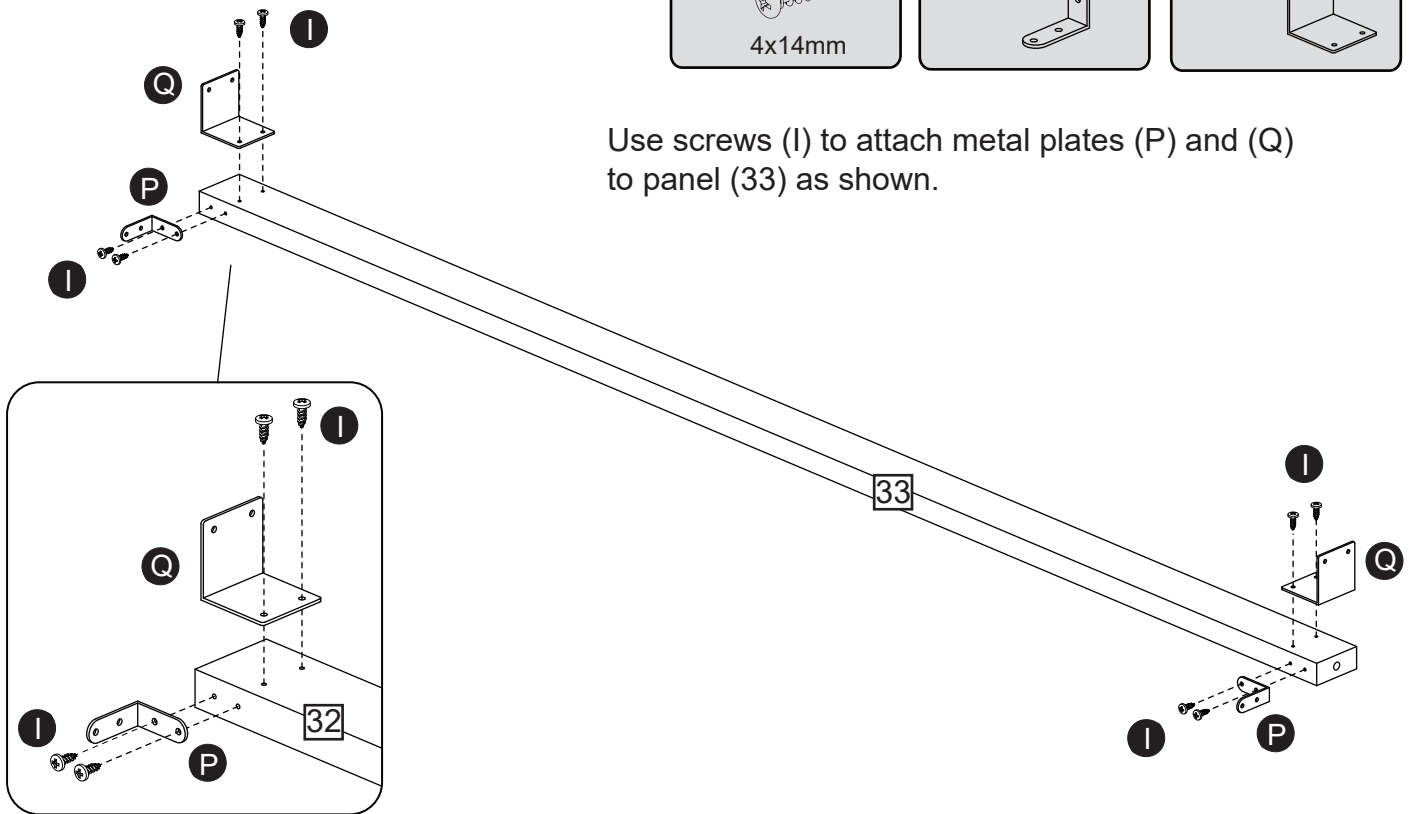
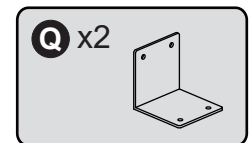
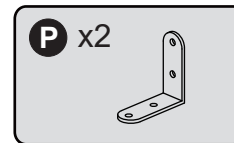
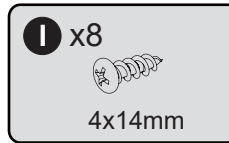


Step 39



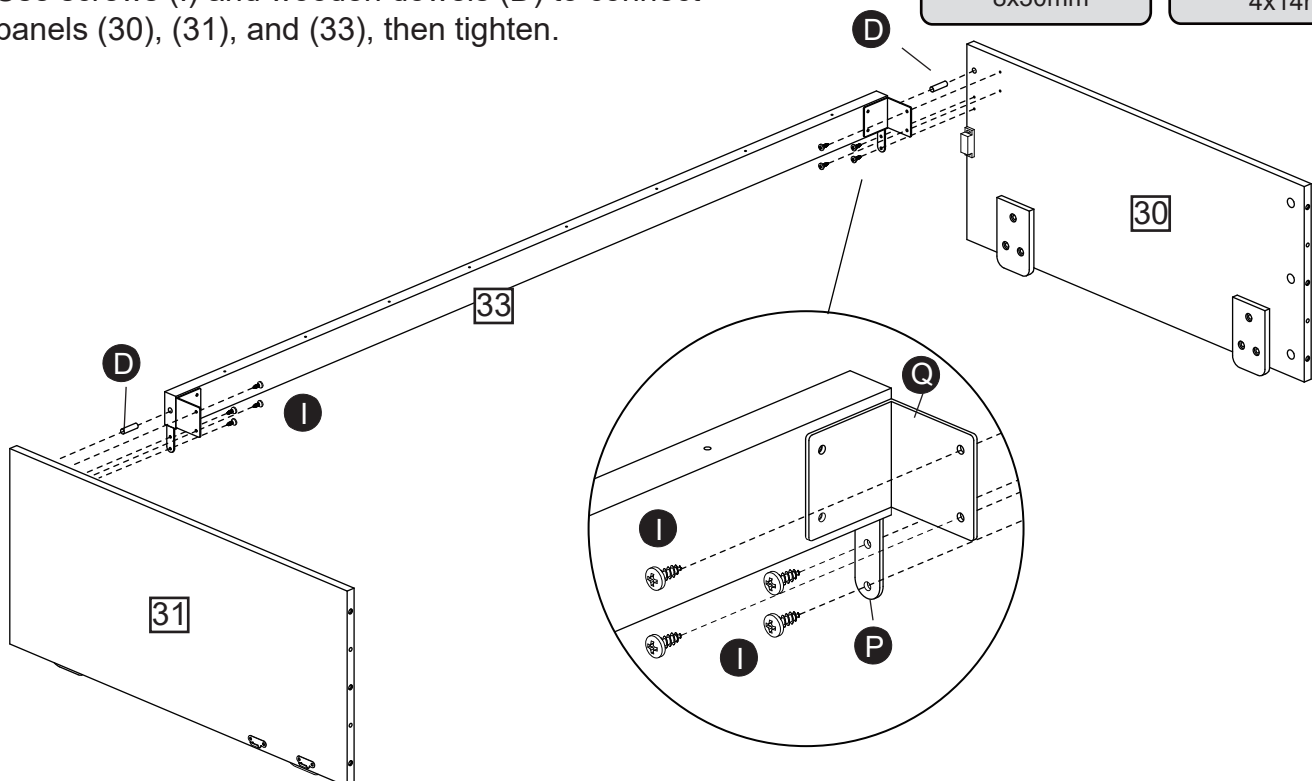
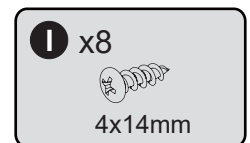
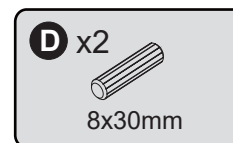
Assembly Instructions

Step 40



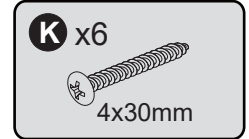
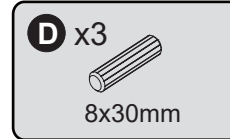
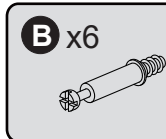
Step 41

Use screws (I) and wooden dowels (D) to connect panels (30), (31), and (33), then tighten.

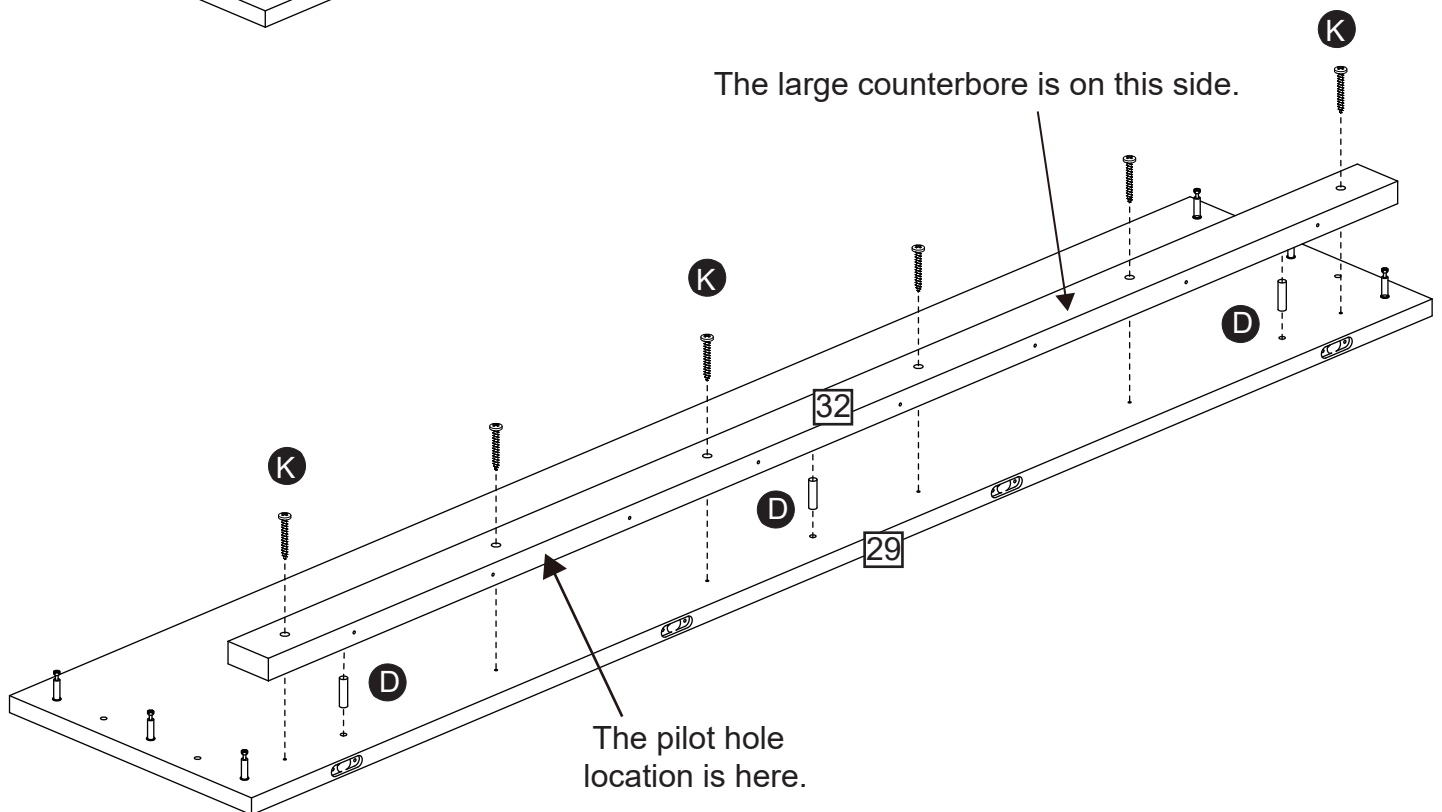
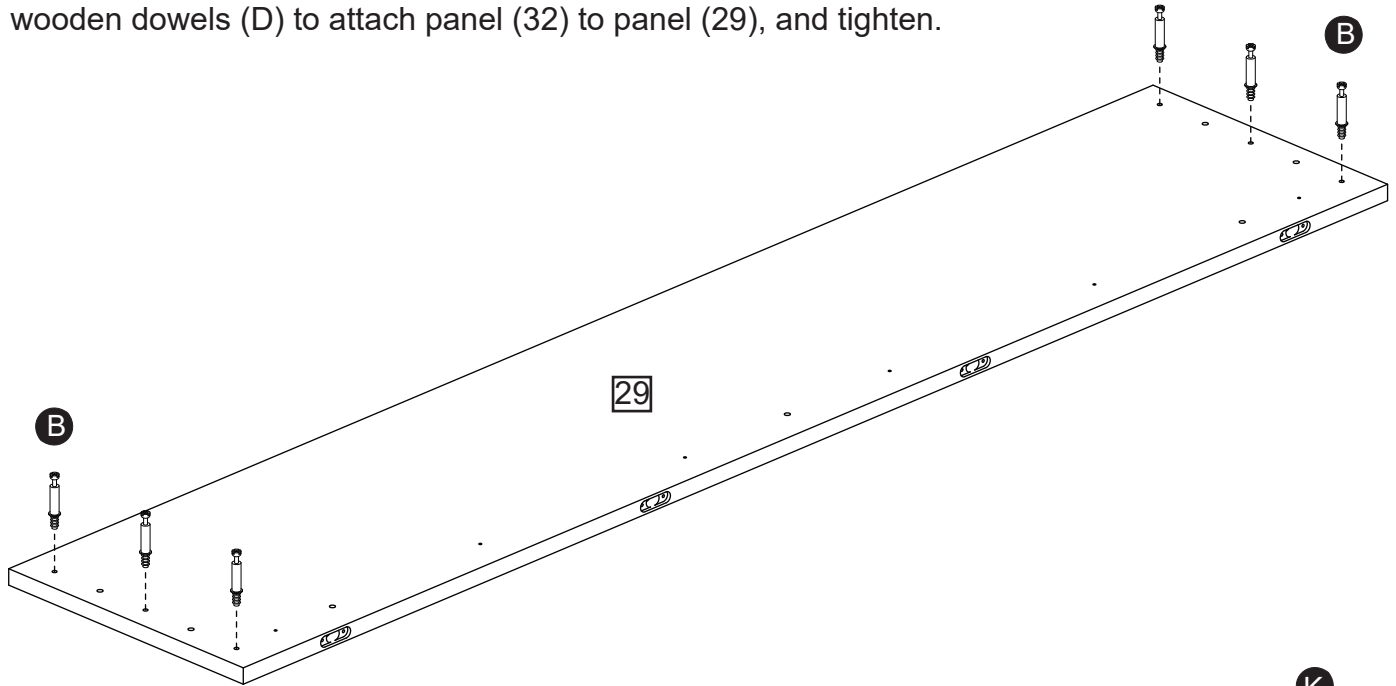


Assembly Instructions

Step 42



Install threaded rods (B) onto panel (29), then use screws (K) and wooden dowels (D) to attach panel (32) to panel (29), and tighten.



Assembly Instructions

Step 43

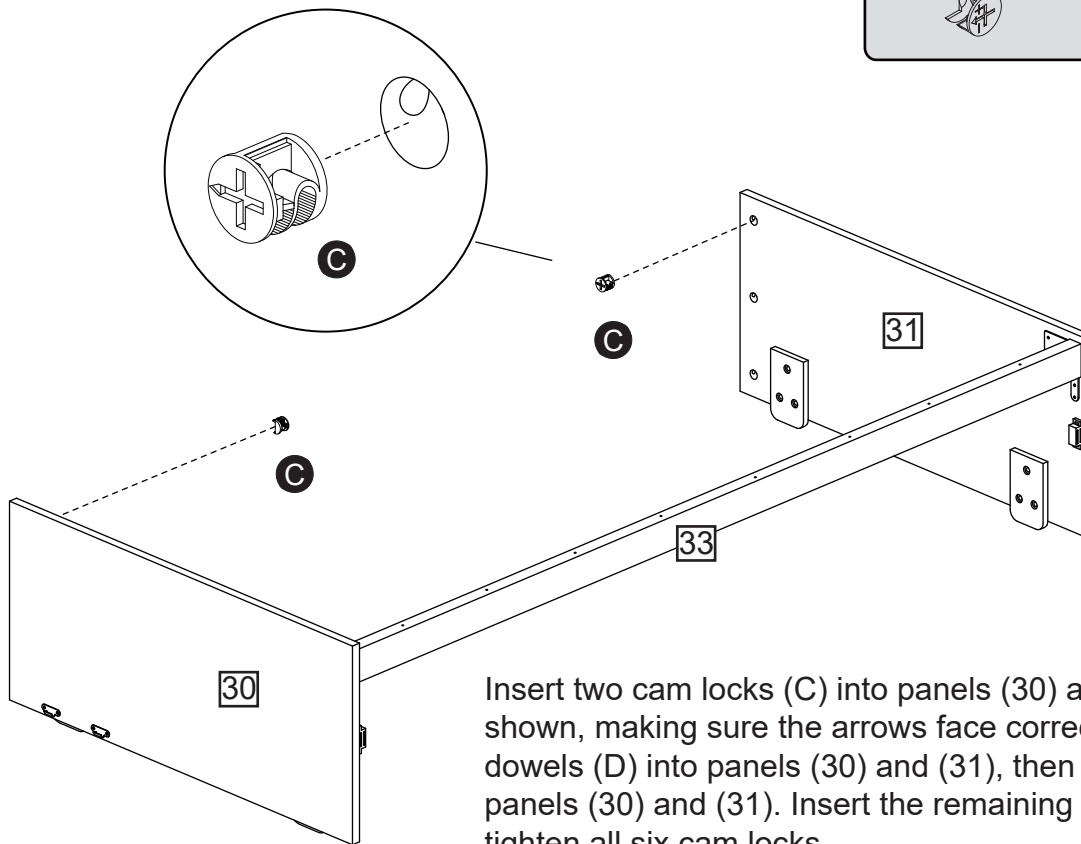
C x6



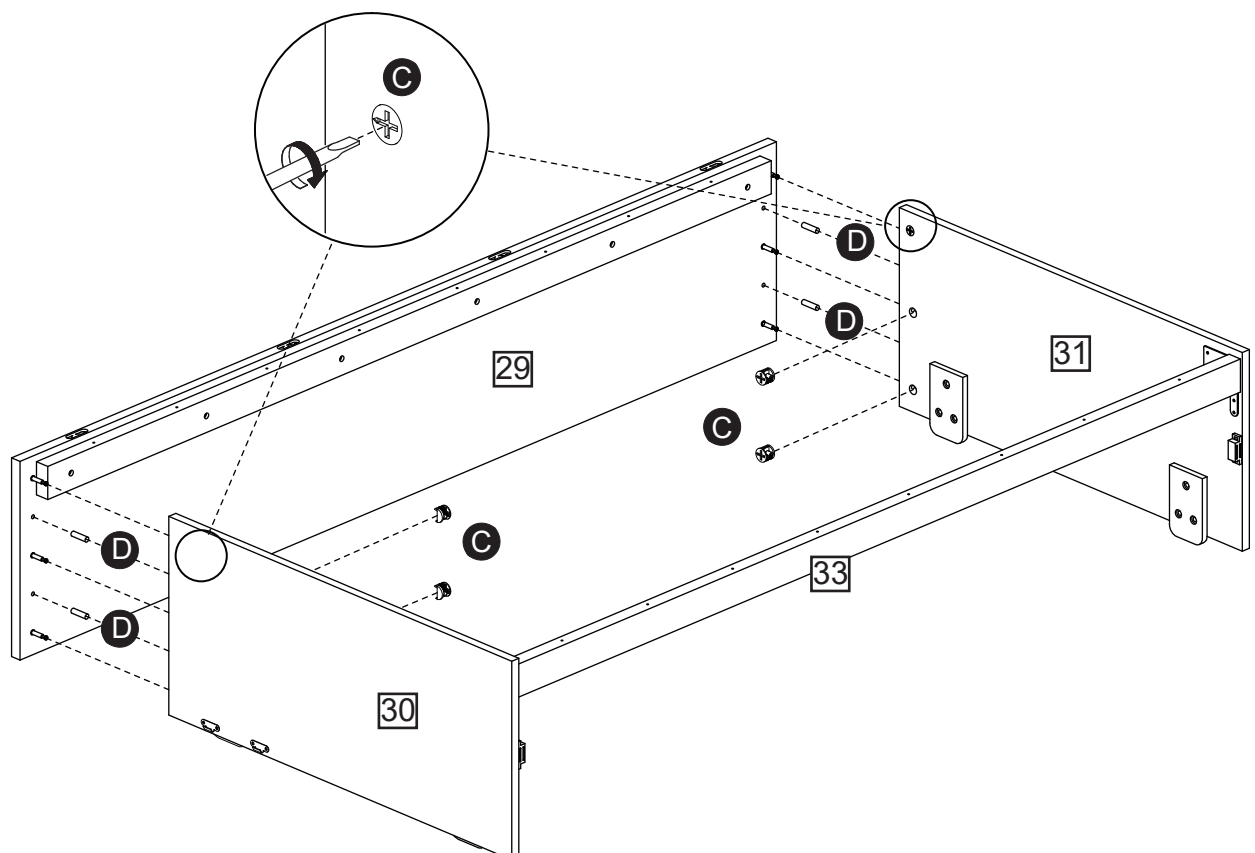
D x4



8x30mm



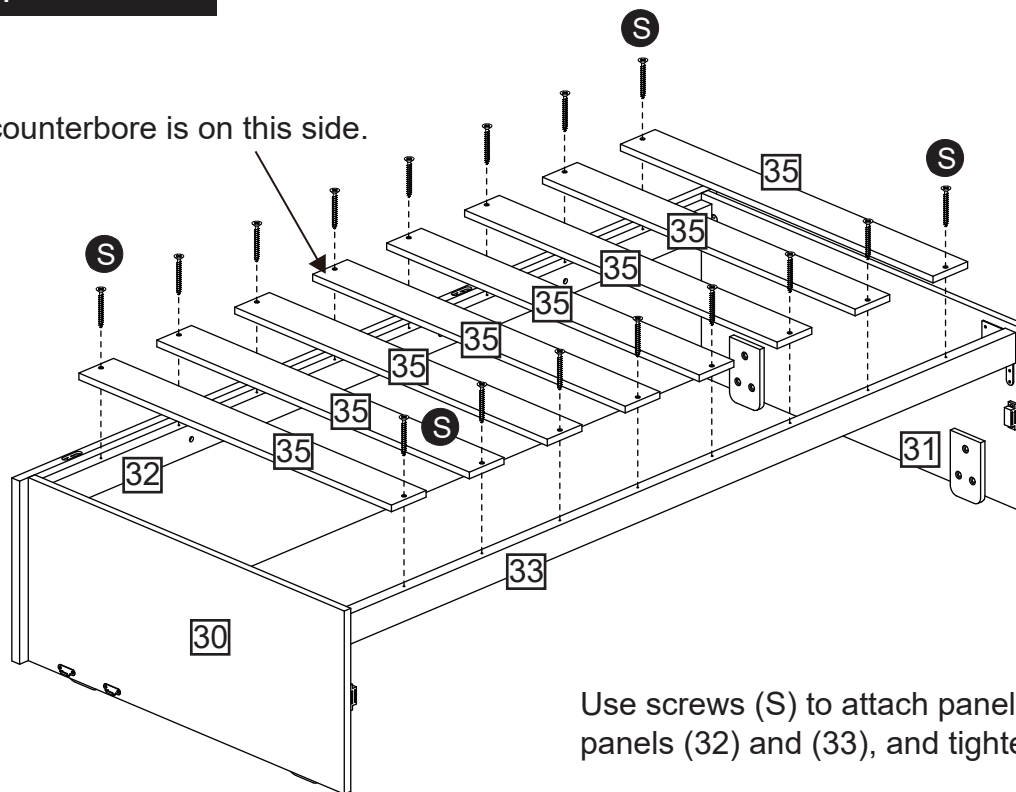
Insert two cam locks (C) into panels (30) and (31) in the holes shown, making sure the arrows face correctly. Insert wooden dowels (D) into panels (30) and (31), then attach panel (29) to panels (30) and (31). Insert the remaining four cam locks and tighten all six cam locks.



Assembly Instructions

Step 44

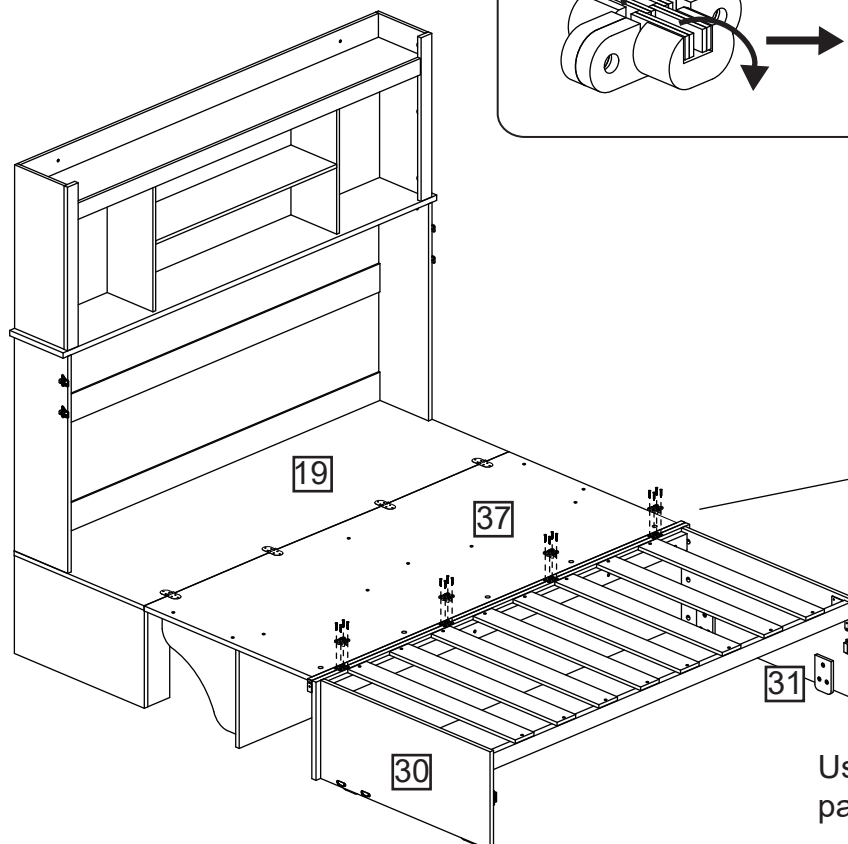
The large counterbore is on this side.



S x16
4x30mm

Use screws (S) to attach panel (35) to panels (32) and (33), and tighten.

Step 45



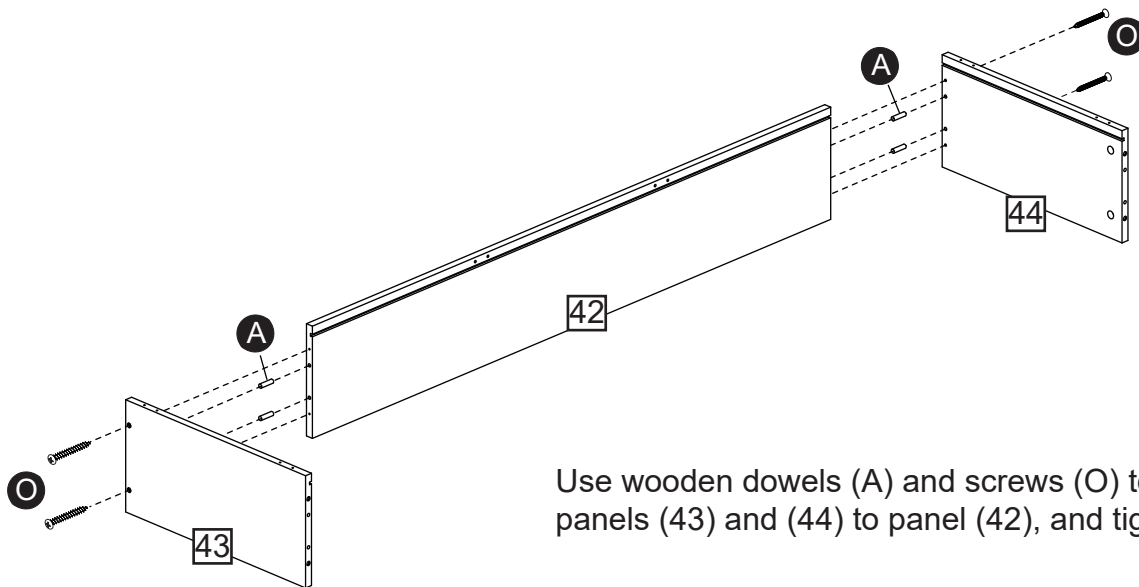
N x16
3.5x30mm

U x4

Use screws (N) to attach hinges (U) to panels (29) and (36), and tighten.

Assembly Instructions

Step 46

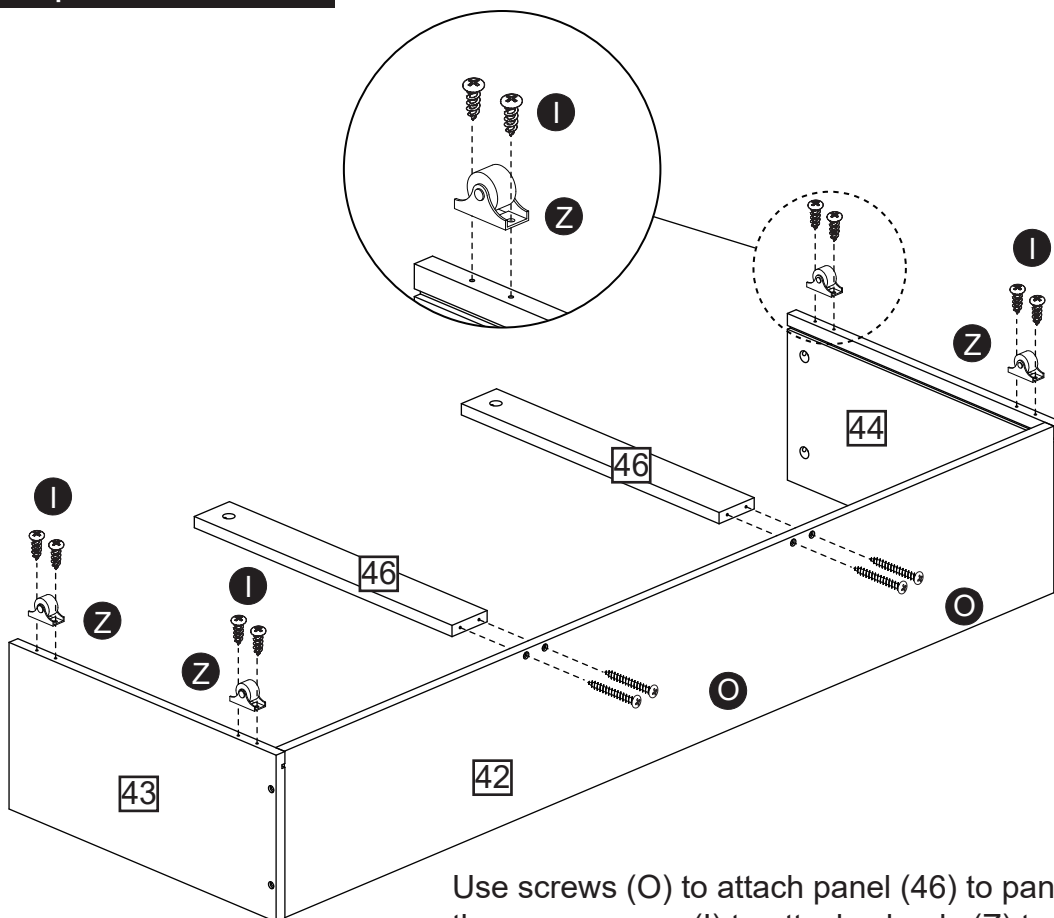


A x4
6x30mm

O x4
4x40mm

Use wooden dowels (A) and screws (O) to attach panels (43) and (44) to panel (42), and tighten.

Step 47



I x8
4x14mm

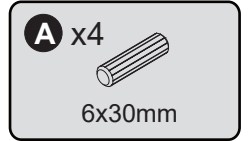
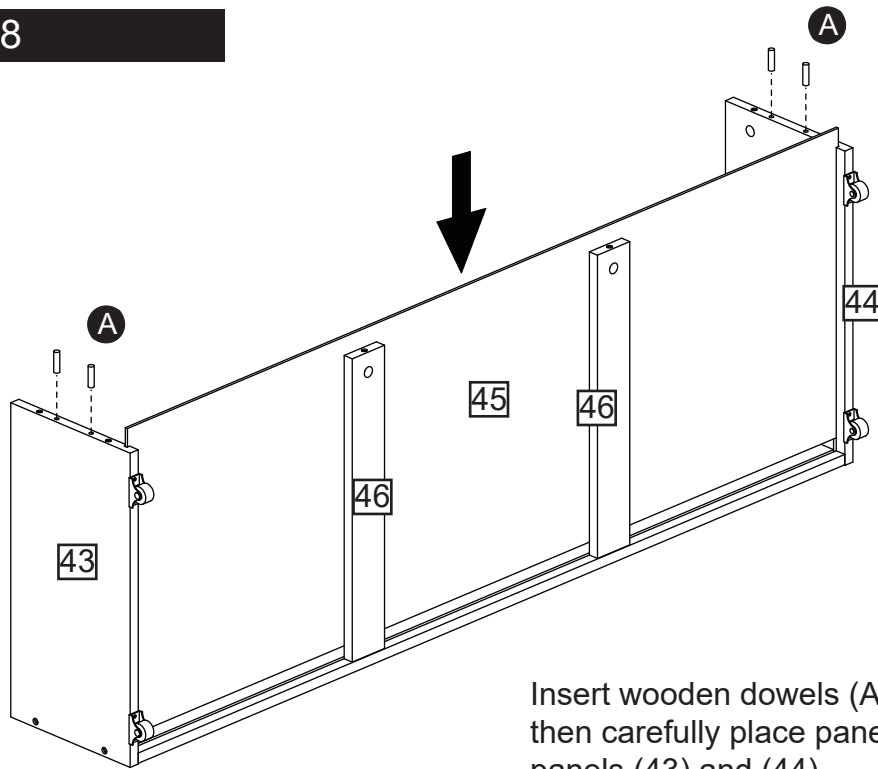
O x4
4x40mm

Z x4

Use screws (O) to attach panel (46) to panel (42), then use screws (I) to attach wheels (Z) to panels (43) and (44).

Assembly Instructions

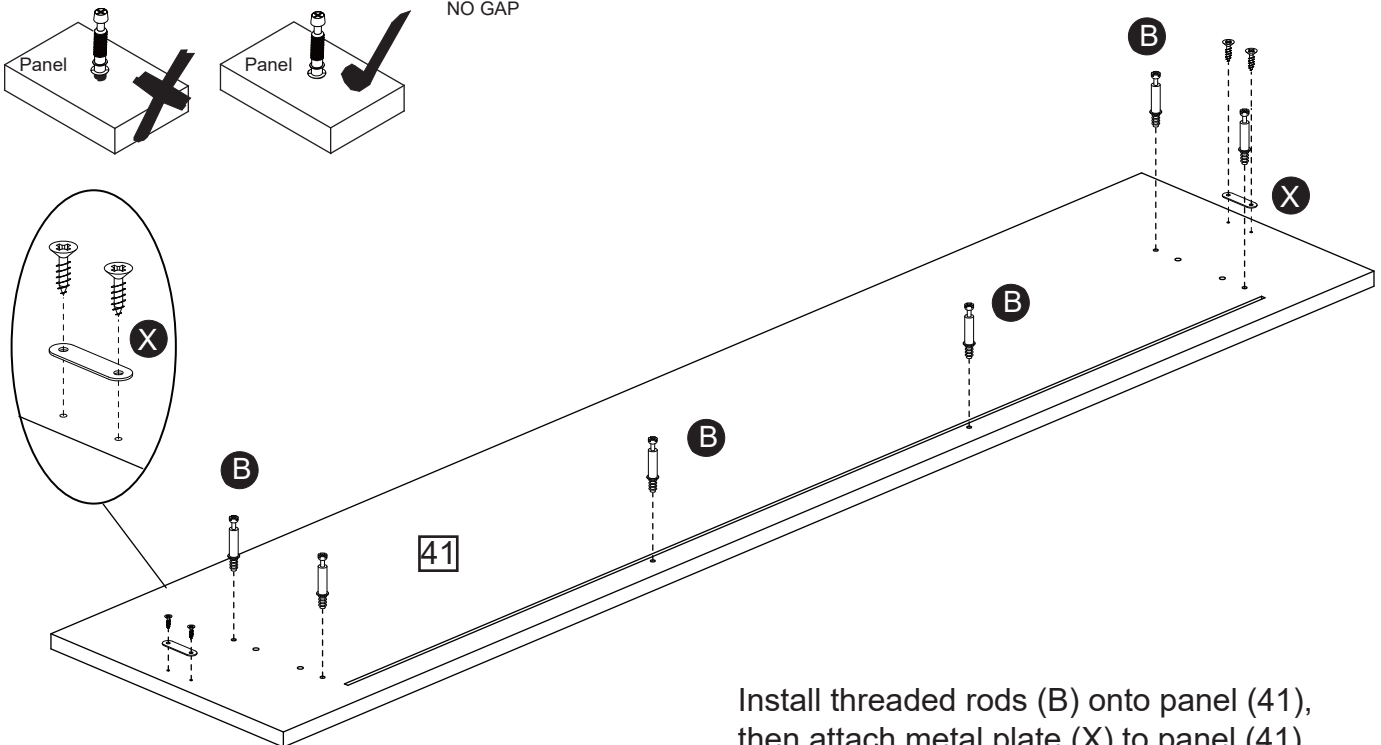
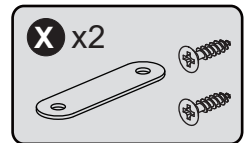
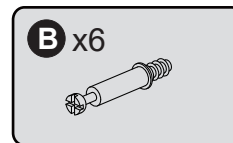
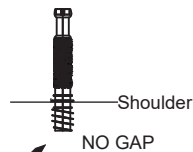
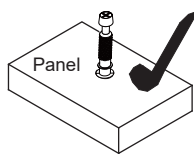
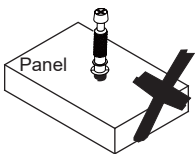
Step 48



Insert wooden dowels (A) into panels (43) and (44), then carefully place panel (45) into the grooves of panels (43) and (44).

Step 49

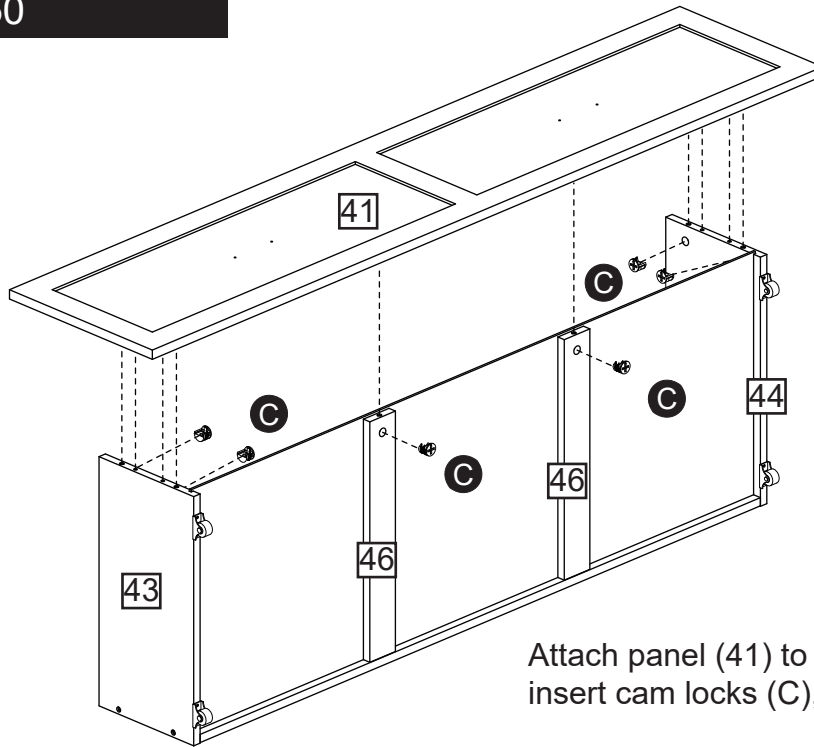
CAM-LOCK
Tighten until shoulder is flush with panel. Do not overtighten or undertighten (see example below)



Install threaded rods (B) onto panel (41), then attach metal plate (X) to panel (41).

Assembly Instructions

Step 50

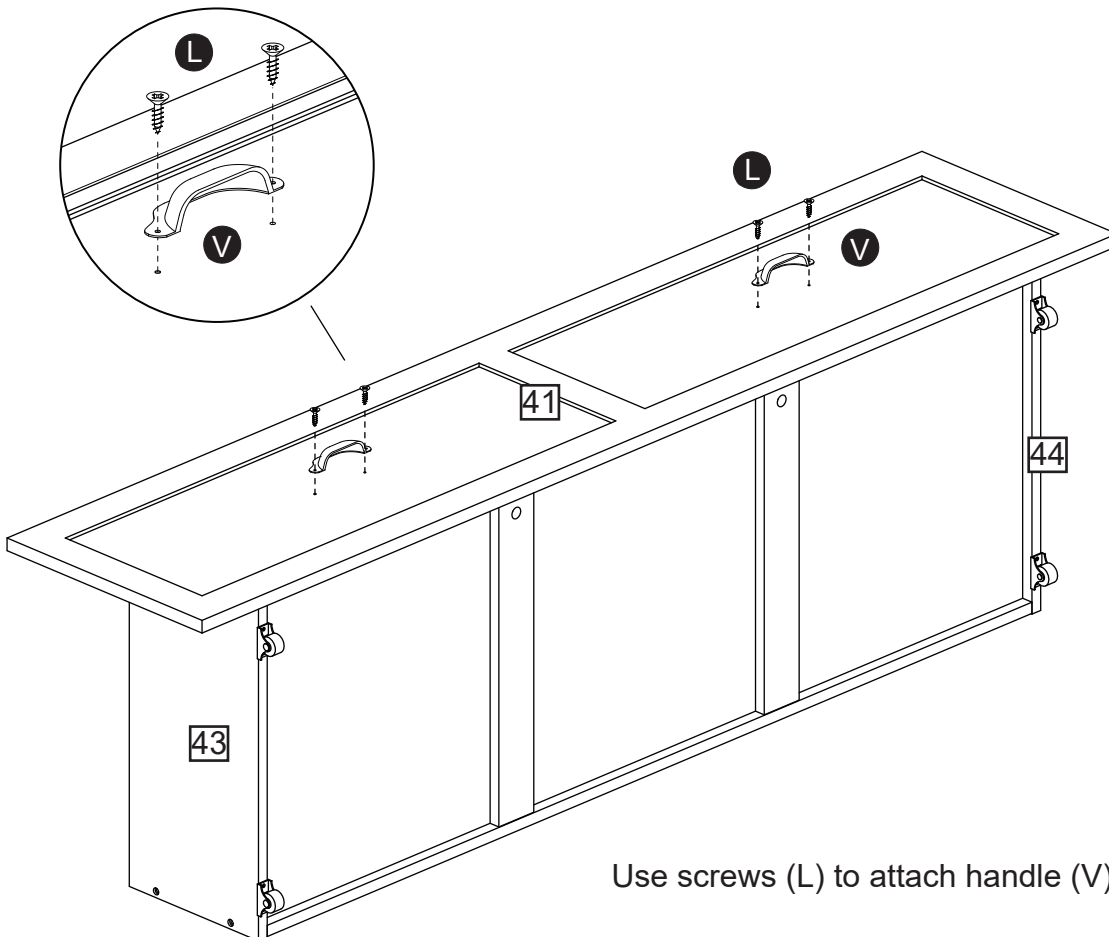


C x6



Attach panel (41) to panels (43), (44), and (46), insert cam locks (C), and tighten.

Step 51



L x4



3x12mm

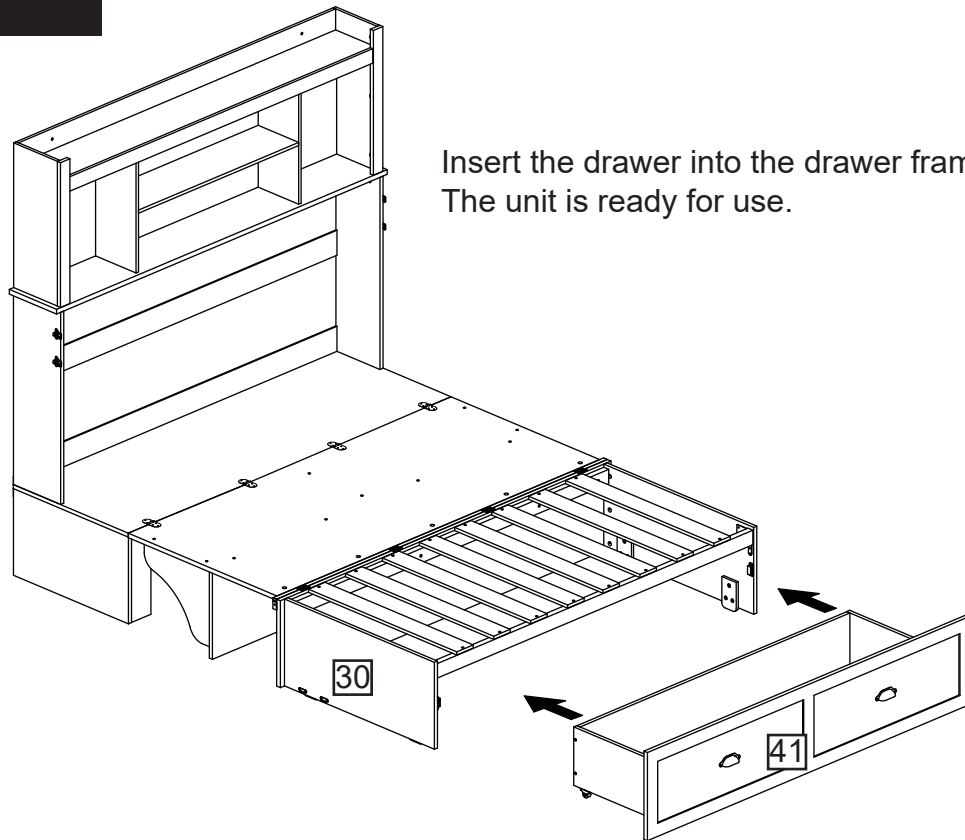
V x2



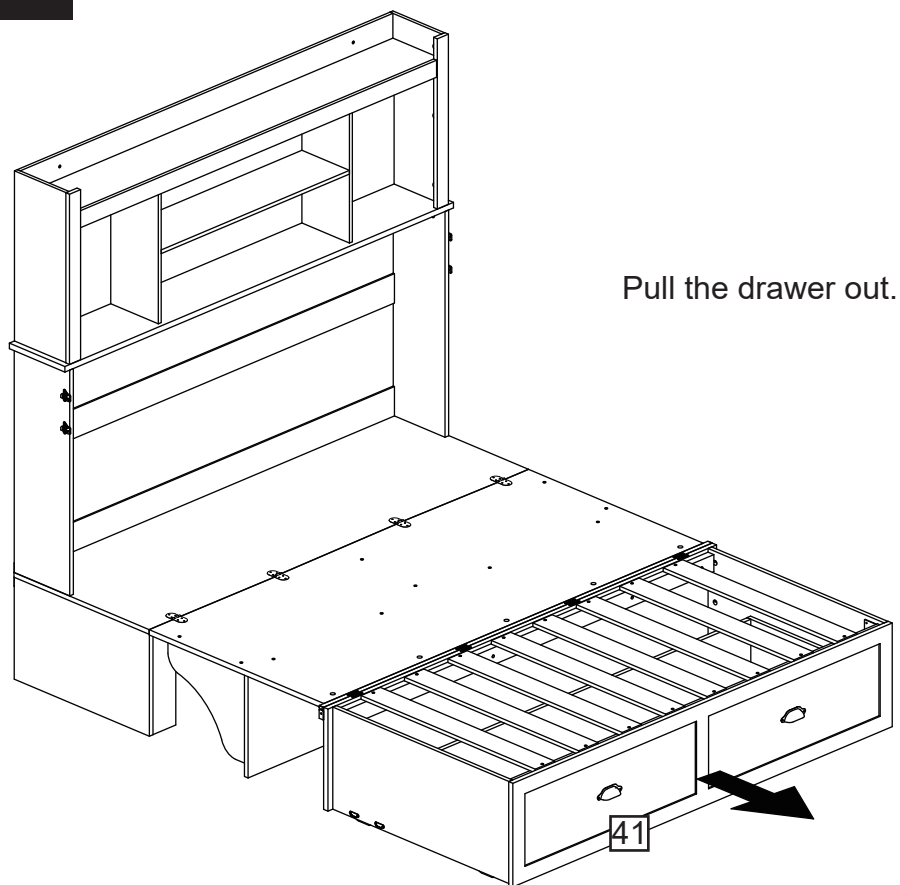
Use screws (L) to attach handle (V) to panel (41).

Assembly Instructions

Step 52

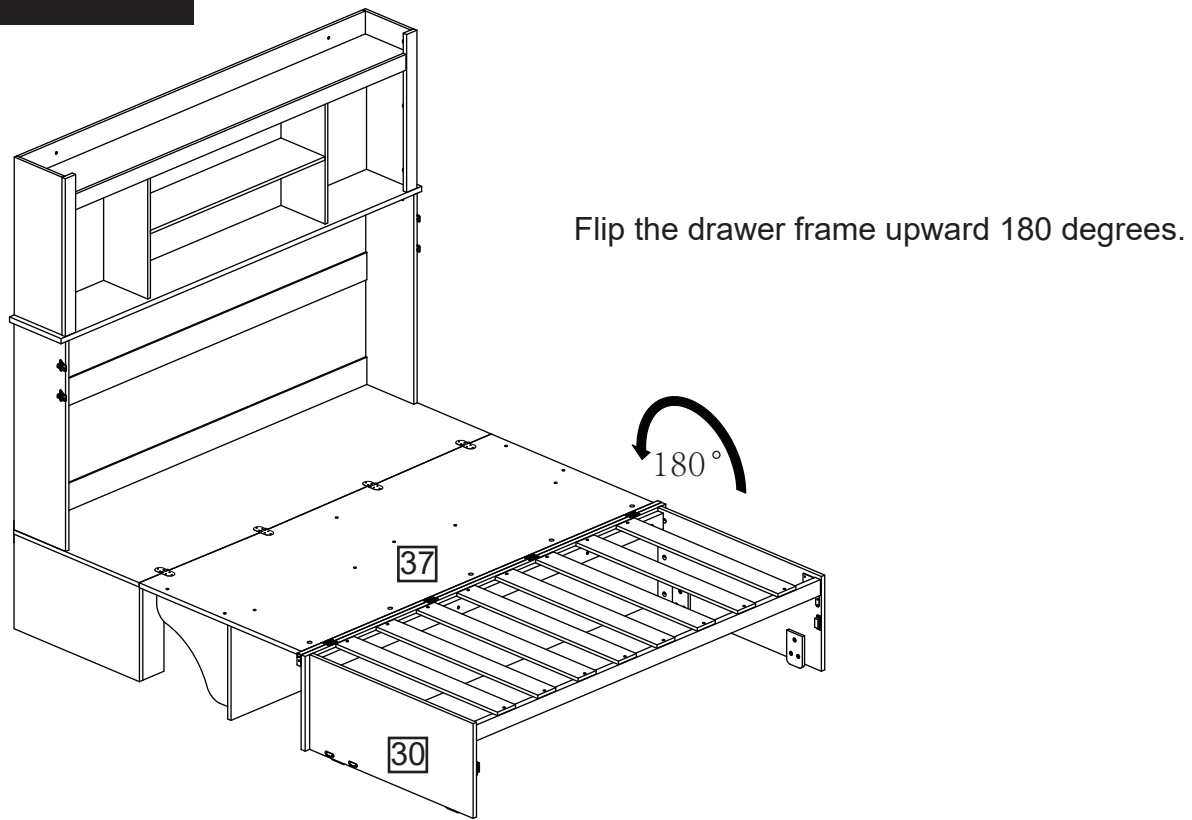


Step 53

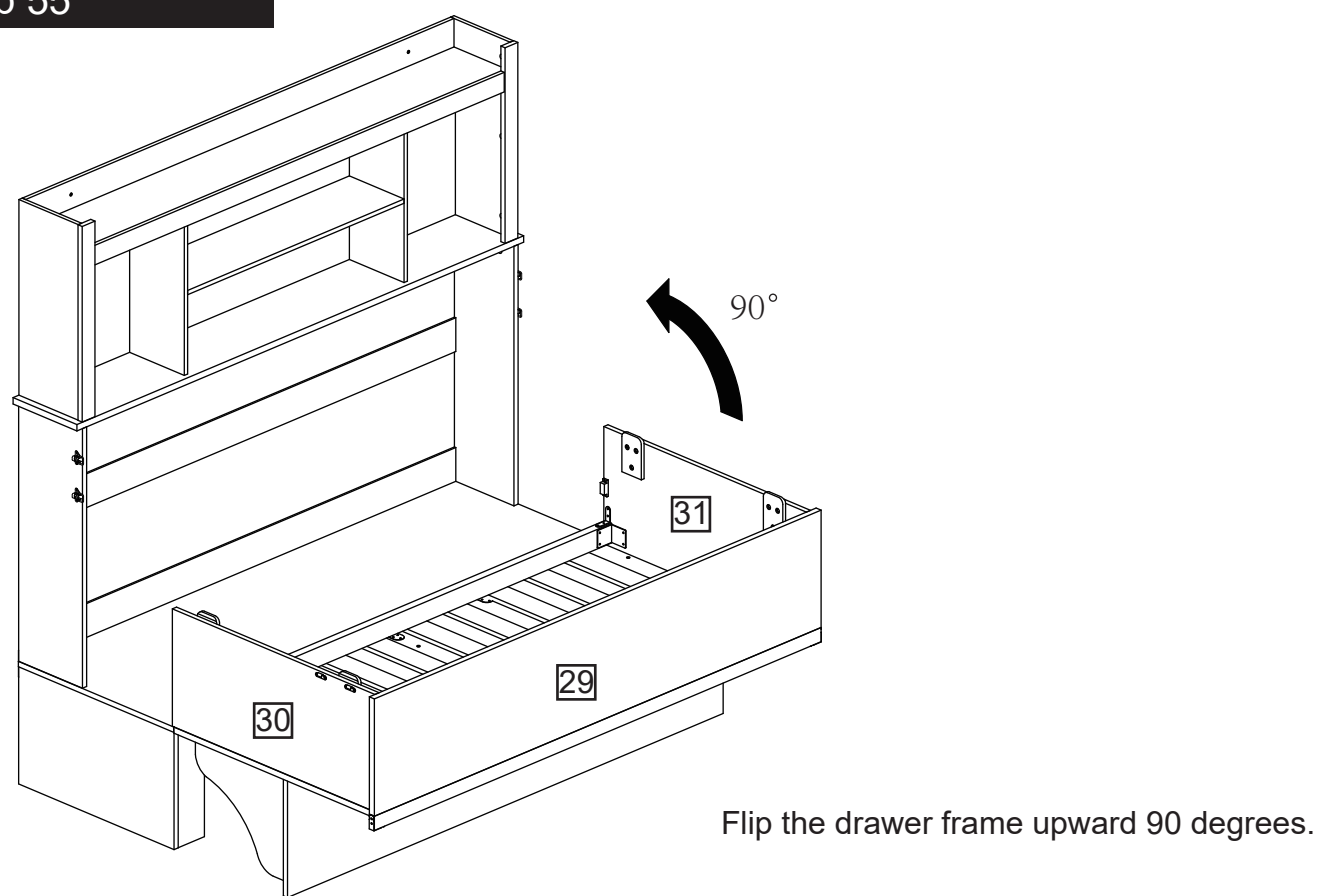


Assembly Instructions

Step 54



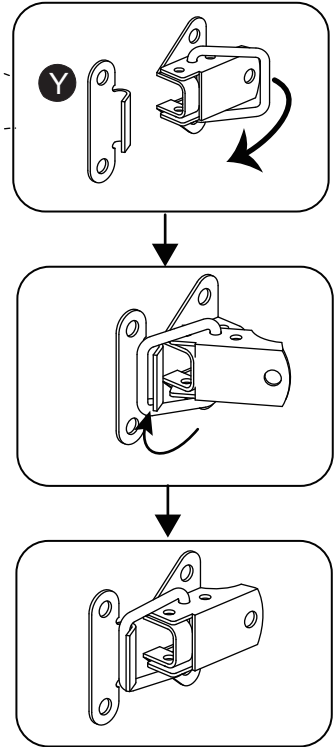
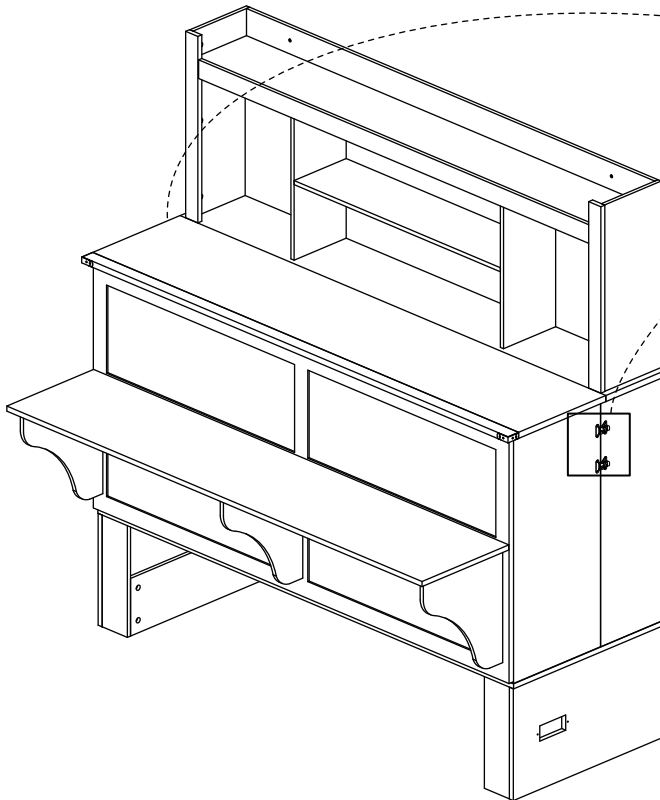
Step 55



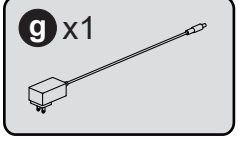
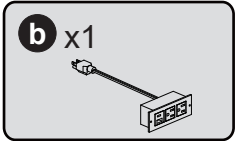
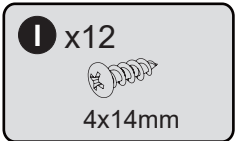
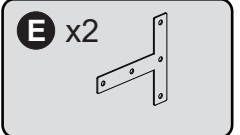
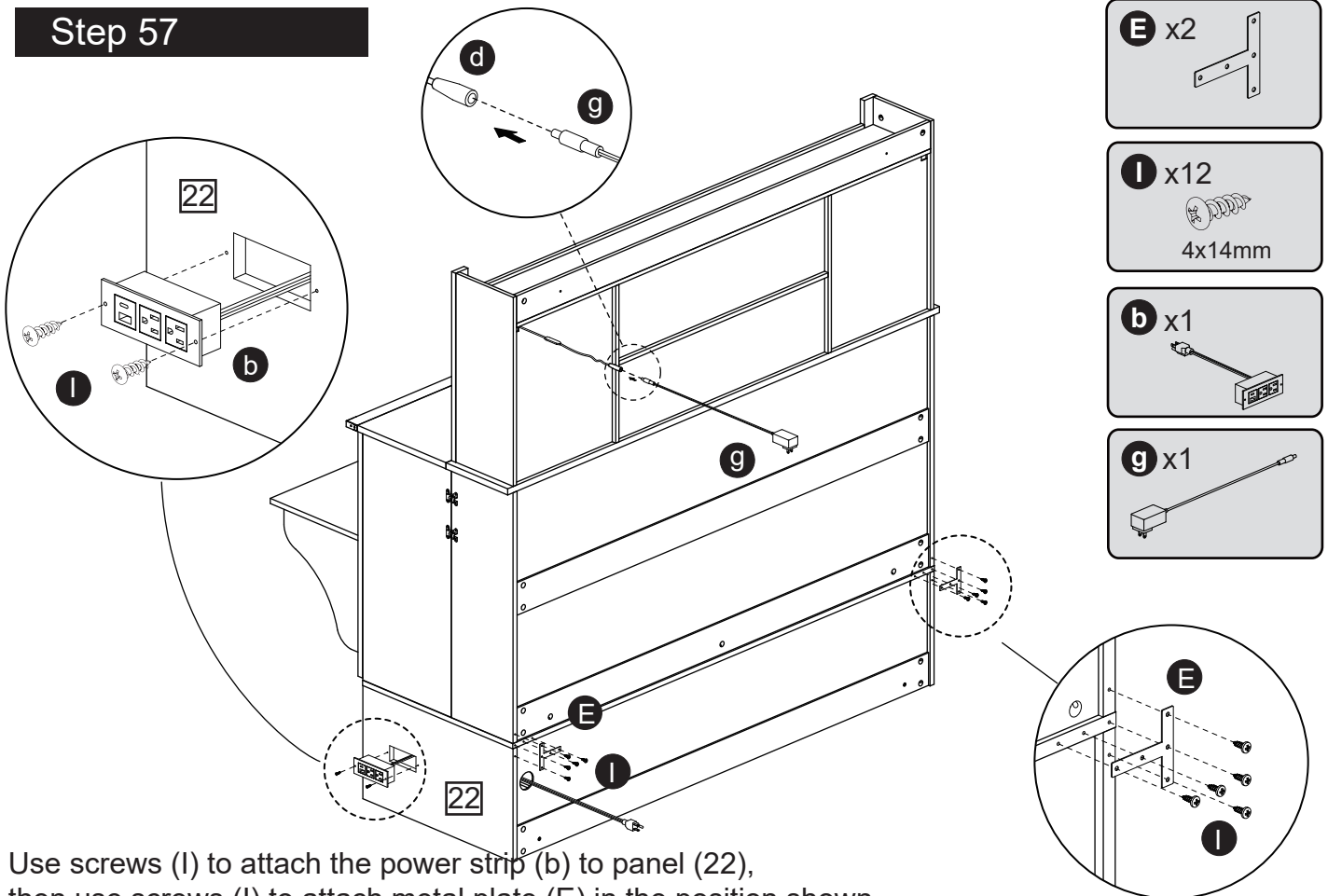
Assembly Instructions

Step 56

Fasten the latch (Y) as shown.



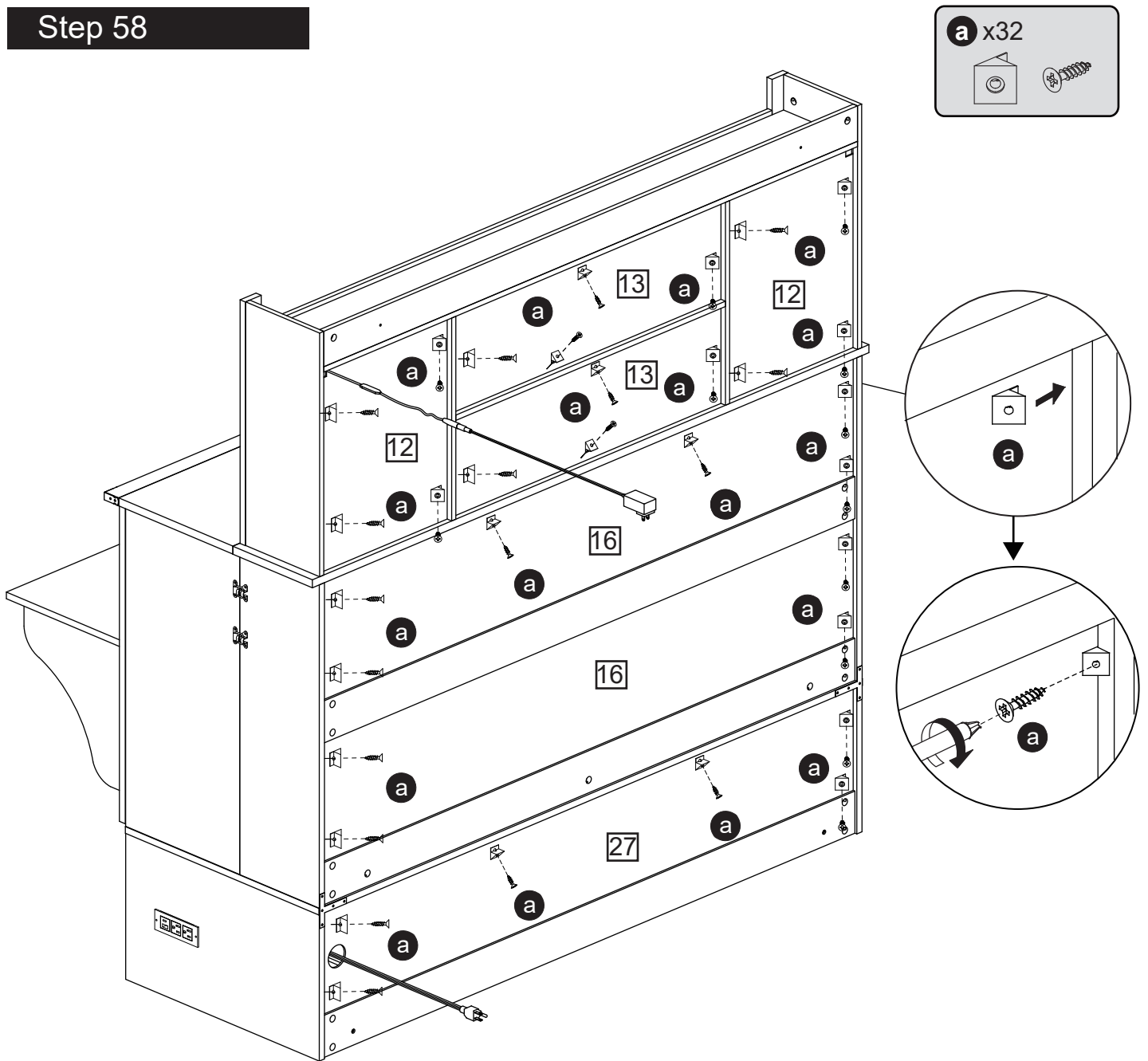
Step 57



Use screws (I) to attach the power strip (b) to panel (22), then use screws (I) to attach metal plate (E) in the position shown.

Assembly Instructions

Step 58

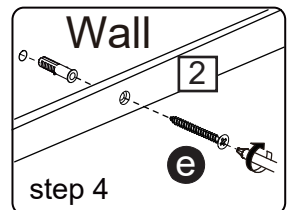
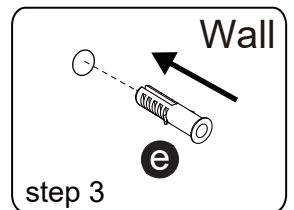
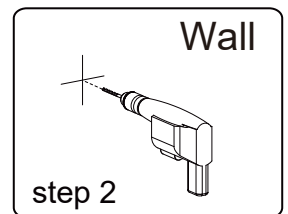
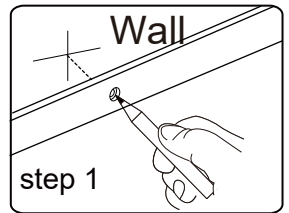
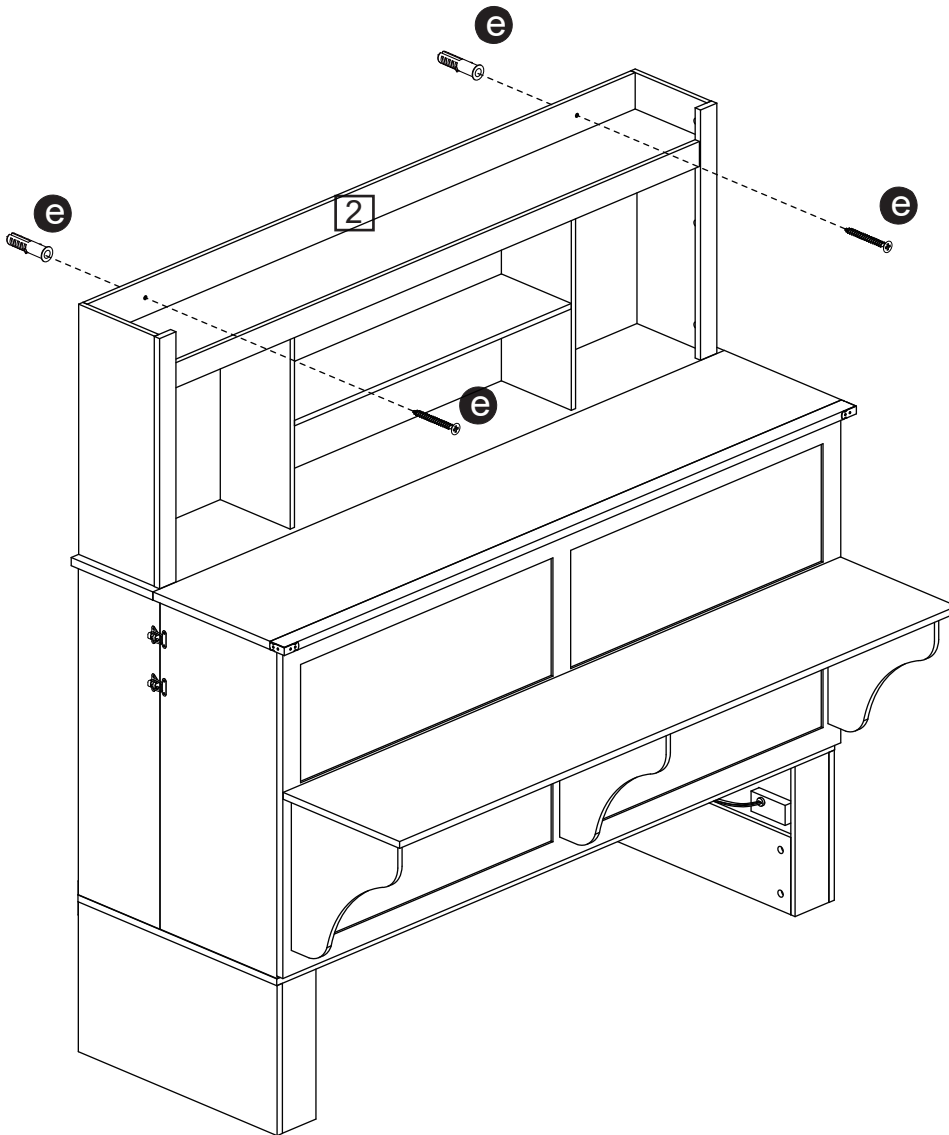
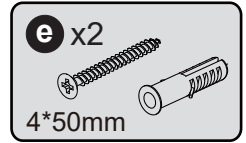


Insert the back panel clips (a) into the back panel grooves, then secure with screws.

Assembly Instructions

Step 59

Please read the Guide to Wall Mounting & Fixings on the last page before executing this step.



Install the anti-tip threaded rod as shown.

The unit is floor standing, but it is recommended that the unit is secured to the wall.

1. Move the unit into desired position.
2. Mark the wall with a suitable scribe the position of the fixing holes.

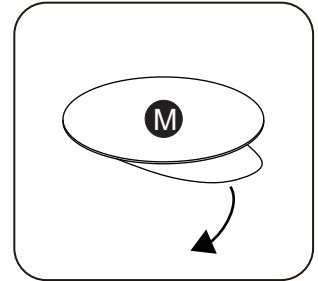
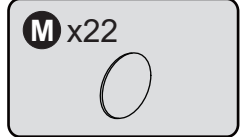
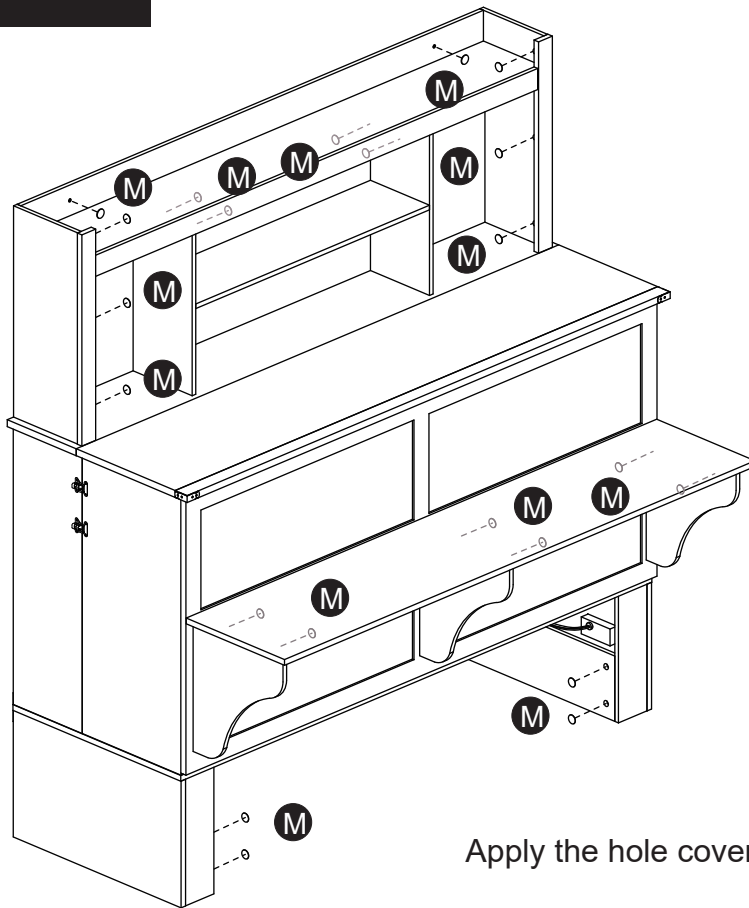


Warning:
Before drilling, check wall for hidden pipes and cables.

3. Drill holes and insert wall plug.
4. Attach strap(e) to the wall.

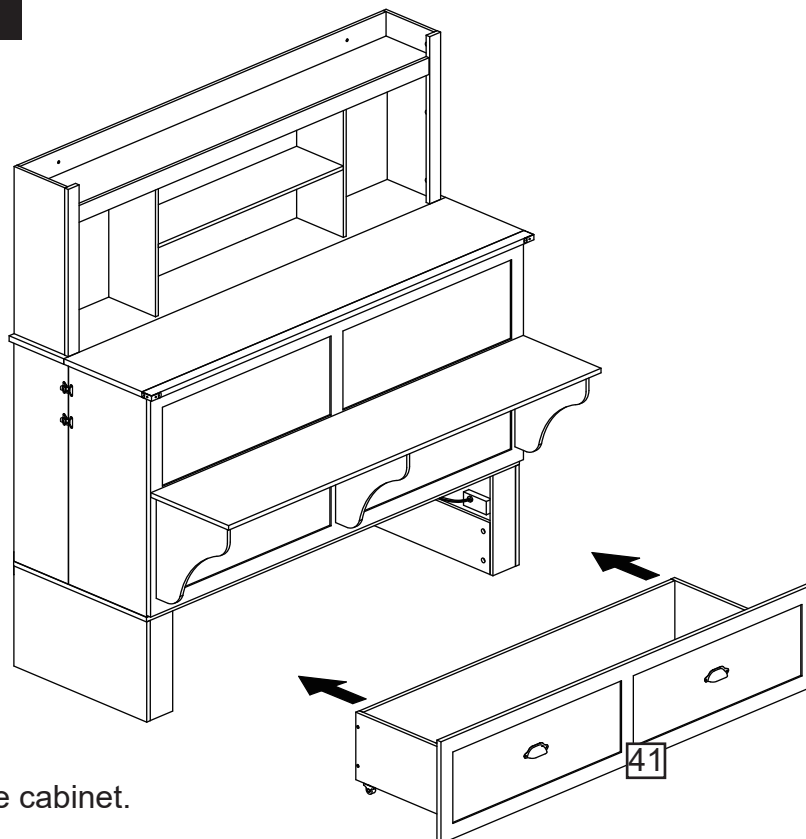
Assembly Instructions

Step 60



Apply the hole covers in the positions shown.

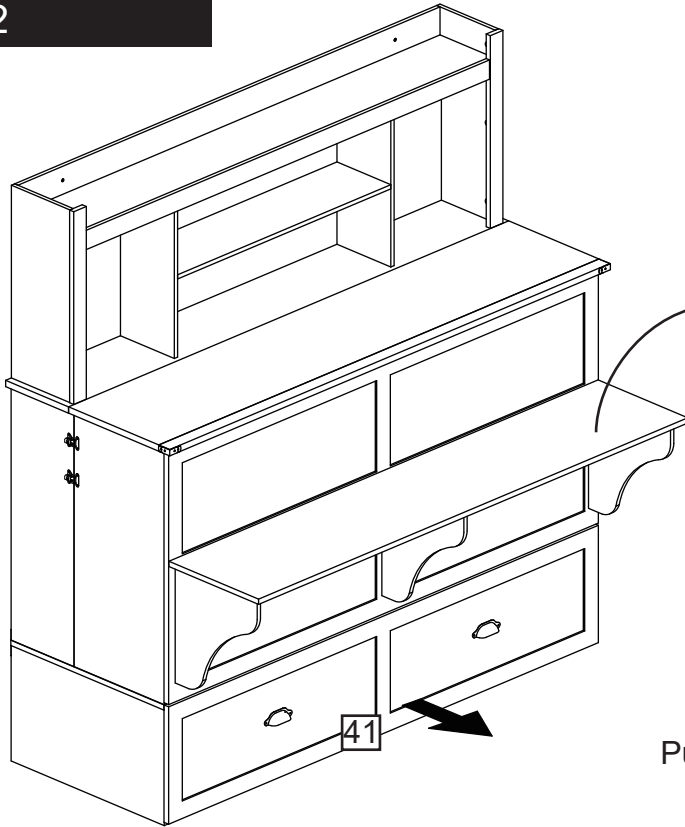
Step 61



Insert the drawer into the cabinet.

Assembly Instructions

Step 62

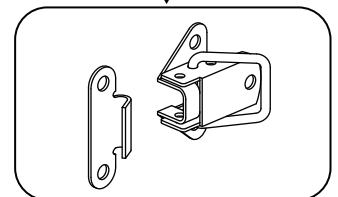
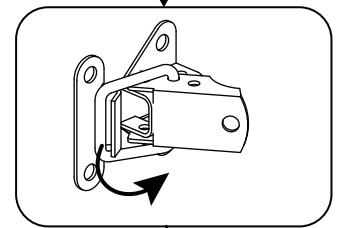
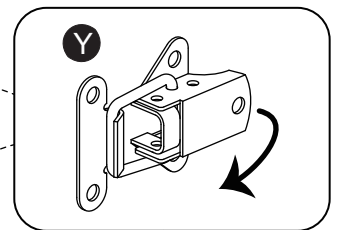
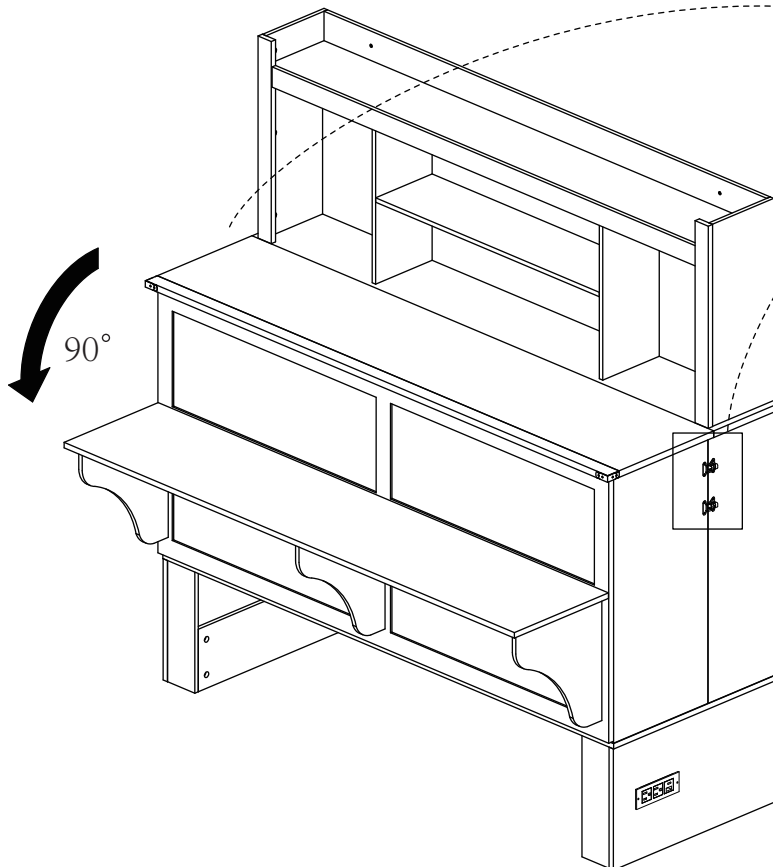


Warning:
No Climbing or Sitting on This Tabletop.
For Children's Safety.

Pull the drawer out.

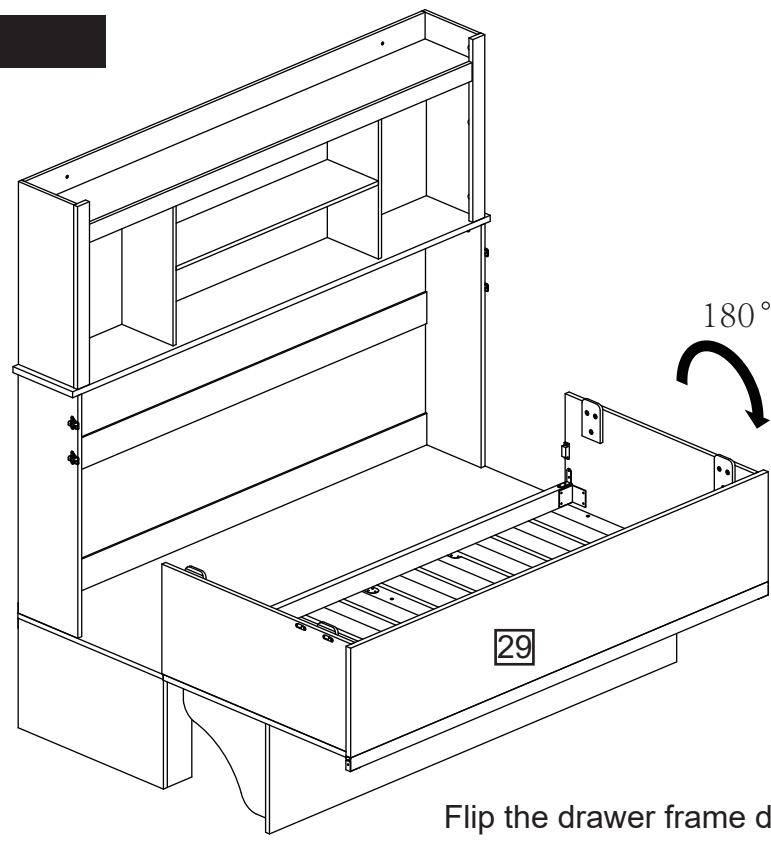
Step 63

Release latch (Y) and flip the drawer frame downward 90 degrees.



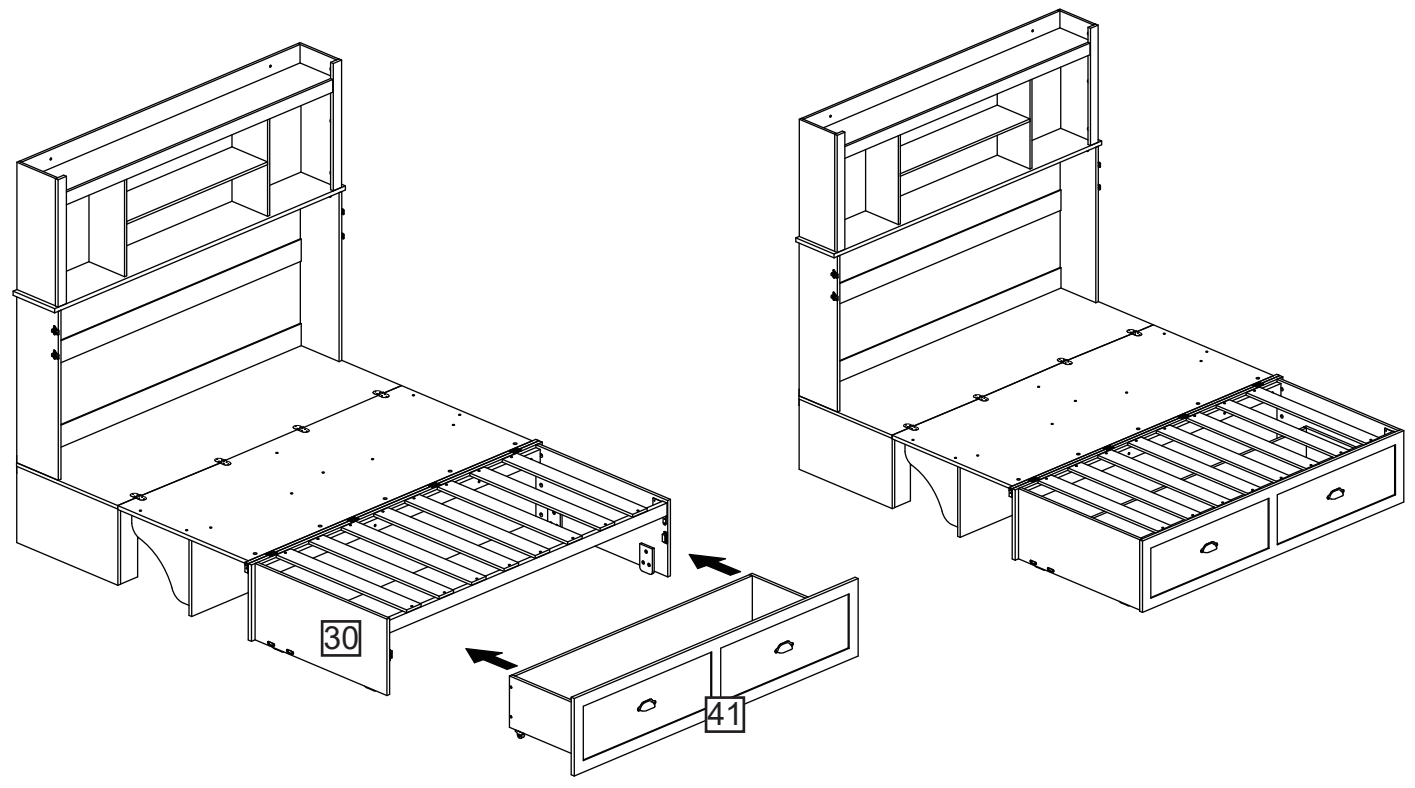
Assembly Instructions

Step 64



Flip the drawer frame downward 180 degrees.

Step 65



Insert the drawer into the drawer frame. The unit is ready for use.

A Guide to Wall Mounting & Fixings

Important note:

If plastic wall plugs (rawl plugs) are supplied with your product, e.g.:



- these are only suitable for use in masonry walls.

If you are in any doubt about the correct wall plugs for your wall, seek professional advice.


Failure of the product due to using the incorrect fixings is the responsibility of the installer.



Important: when drilling into walls always check that there are no hidden wires or pipes etc.

Make sure that the screws and wall plugs being used are suitable for **supporting your unit**. **Consult a qualified tradesperson if you are unsure.**

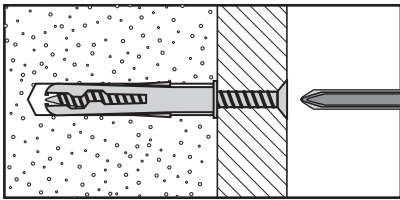
Hints:

- 1: General rule:  always use a larger screw and wall plug if you are not sure.
- 2: Ensure you use the recommended drill bit to match the wall plug and hole size.
- 3: Ensure you drill the hole horizontally; do not force the drill or enlarge the hole.
- 4: Take extra care when drilling high walls, ceilings and ceramic tiles. Ensure wall plugs are inserted beyond the thickness of the ceramic tiles to avoid the tiles splitting or cracking.
- 5: Ensure wall plugs are well fitted and are a tight fit in the drilled hole.

Types of walls

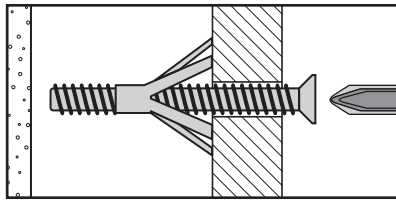
You can use one of the following types of wall plug if your walls are made of brick, breeze block, concrete, stone or wood.

No.1 "General Purpose" wall plug



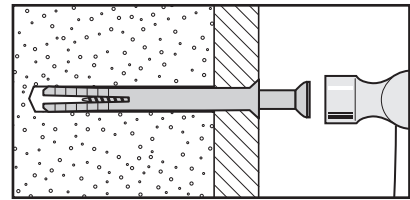
Generally aerated blocks should not be used to support heavy loads, use a specialist fitting in this case. For light loads, general purpose wall plugs can be used.

No.3 "Cavity Fixing" wall plug



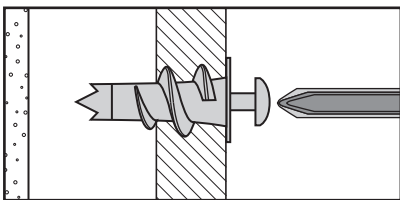
For use with plasterboard partitions or hollow wooden doors.

No.5 "Hammer Fixing" wall plug



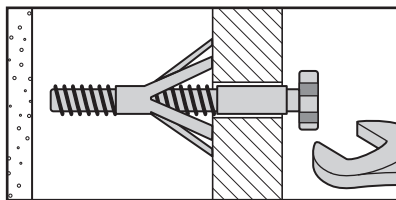
For use with walls stuck with plasterboard. The hammer fixing allows it to be fixed to the wall rather than the plasterboard. Always check the fixing is secure to the retaining wall.

No.2 "Plasterboard" wall plug



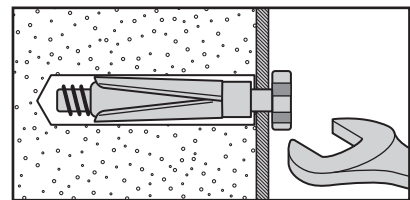
For use when attaching light loads onto plasterboard partitions.

No.4 "Cavity Fixing - Heavy Duty" wall plug



For use when fitting or supporting heavy loads such as shelving, wall cabinets and coat racks.

No.6 "Shield Anchor" wall plug - heavy loads



For use with heavier loads such as TV and HiFi speakers and satellite dishes etc.



Care & Maintenance

Safety: always check the fitting and location to ensure your safety in and around the home.

Fitting: from time to time check the fitting to ensure the wall plugs or screws do not become loose.