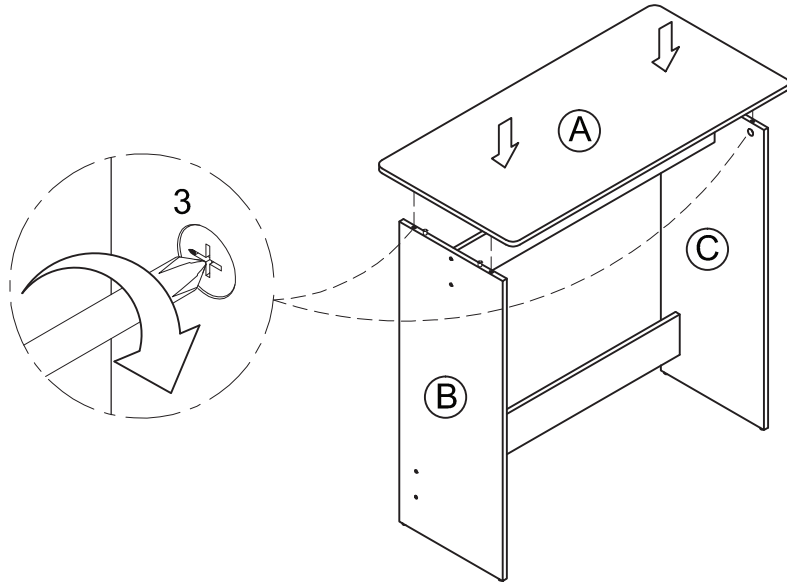
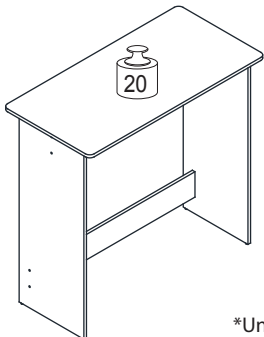


#### STEP 4

Attach Panel (A) to assembled unit and tighten Mini Fix Cam (3), as shown.



#### Recommended Maximum Weight



\*Unit in Pound(lbs)

#### **WARNING:**

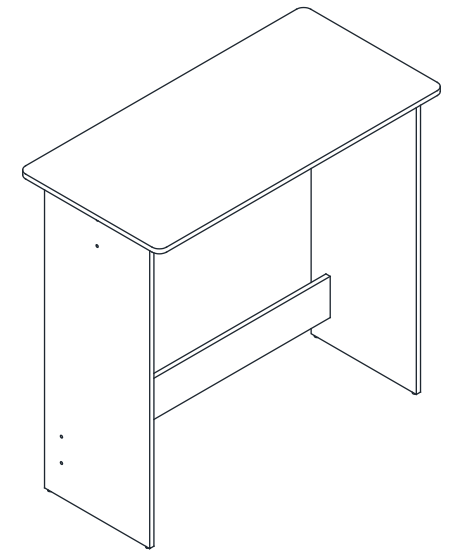
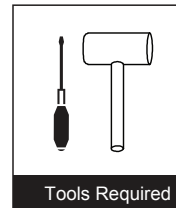
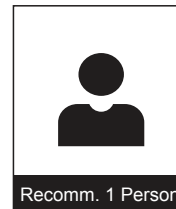
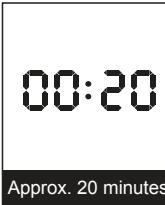
>This unit has been designed to support the maximum loads shown. Exceeding these load limits could cause sagging, instability, product collapse, and/or serious injury.

>DO NOT allow children to climb on unit.

>Put heavier items on lower shelves.

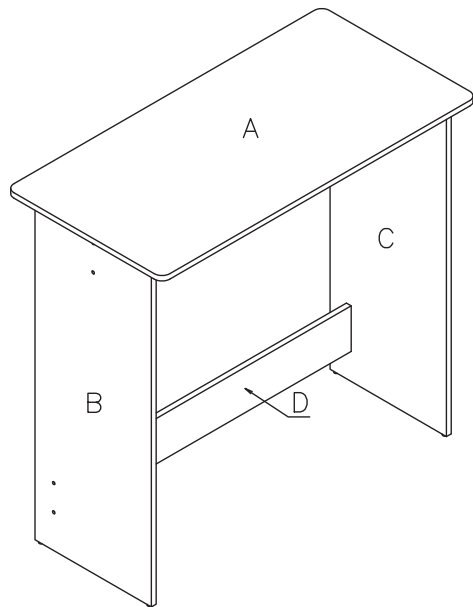
## **Assembly Instruction**

Simplistic Study Table



No	Hardware List	Qty
1	Dowel	4pcs
2	Screw	8pcs
3	Mini Fix Cam	4pcs
4	Mini Fix Bolt	4pcs
5	Nail Leg	4pcs

No	Parts List	Qty
A	Top Panel	1pc
B	Left Side Panel	1pc
C	Right Side Panel	1pc
D	Center Bar	2pcs

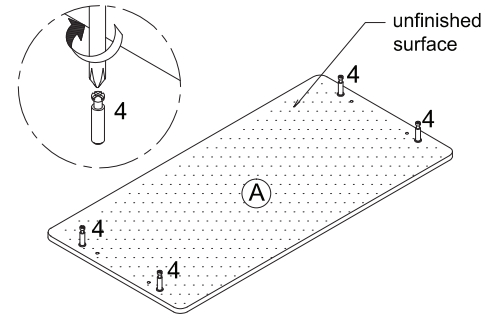


**USEFUL HINTS BEFORE YOU START:**

1. Read each step carefully before starting.
2. It is important that each step is performed in correct order to avoid difficulties.
3. Identify, sort and count the parts before assembly.
4. Assemble your furniture on packaging cardboard to prevent scratch or damage.
5. Clean the product with mild cleanser using soft damped cloth. Do not use harsh or abrasive cleanser.
6. Using incompatible hardware might cause damage to product.

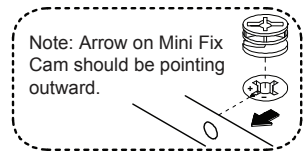
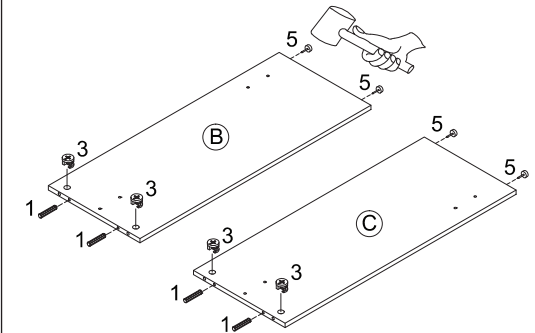
**STEP 1**

Insert Mini Fix Bolt (4) into the pre-drilled holes on Panel (A).



**STEP 2**

- 2.1 Install Dowel (1) and Nail Leg (5) into Panel (B) & (C), as shown:
- 2.2 Install Mini Fix Cam (3) into the pre-drilled holes on Panel (B) & (C).



**STEP 3**

- 3.1 Attach Panel (D) to Panel (C) with Screw (2).
- 3.2 Attach Panel (B) to the assembled unit with Screw (2), as shown.

