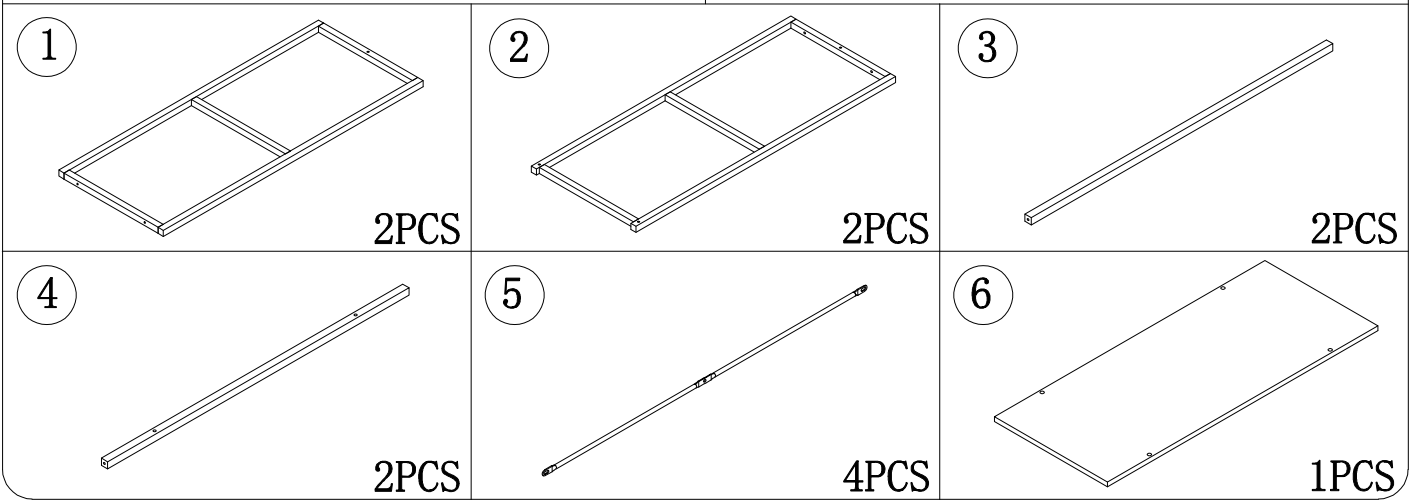
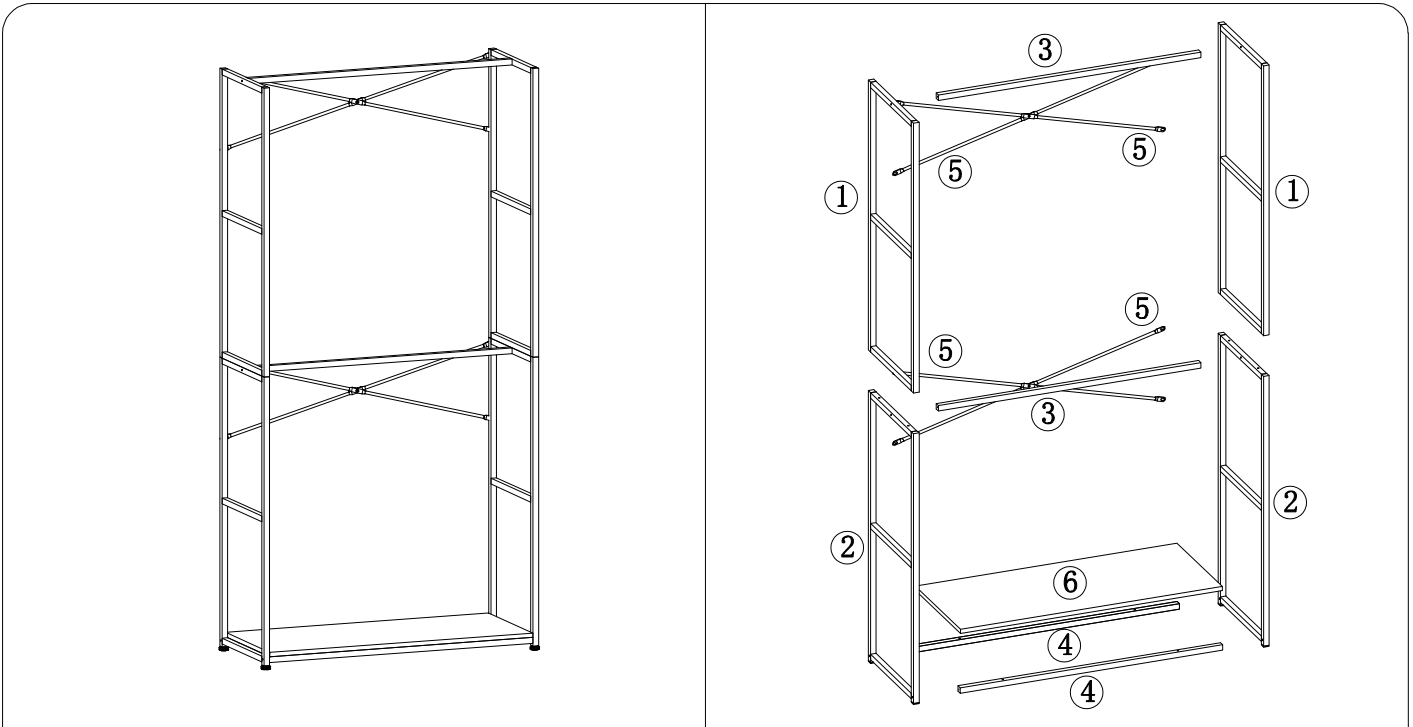


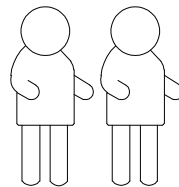
Installation Instructions

Notes: Don't tighten screws completely at first, just in case parts were assembled wrongly and need disassemble. Tighten screws at last when all parts are put together.



NO.	PICTURE	SIZE	QTY
A		M6X35	8+1
B		M6X30	8+1
C		M6X25	2
D		M6X12	8+1
E		M6	2
F		10MM	1

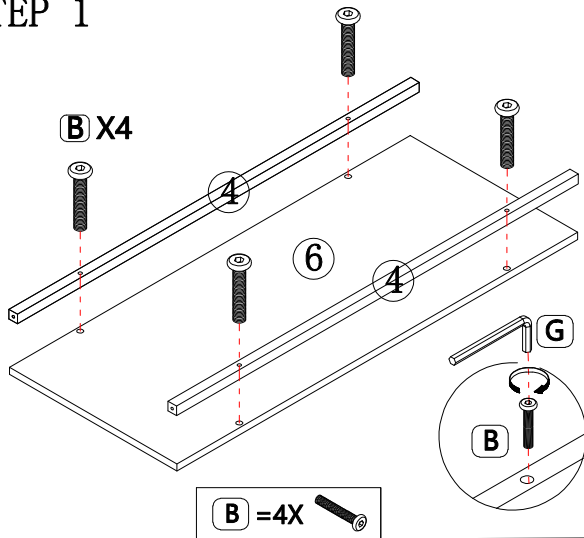
NO.	PICTURE	SIZE	QTY
F			4
G			1
H			2



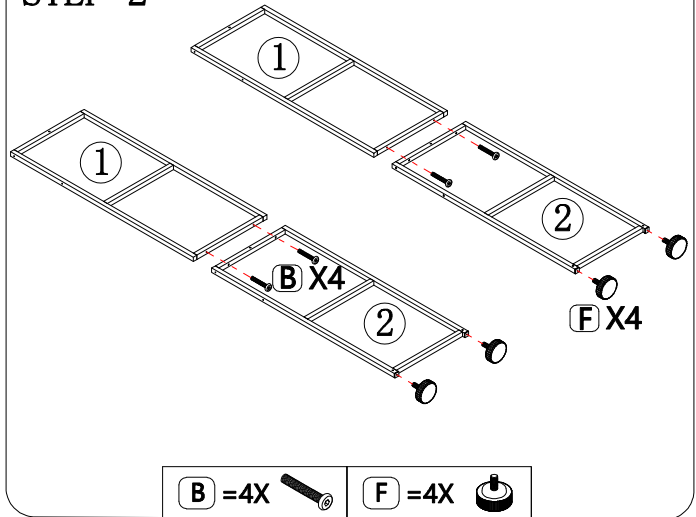
It takes at least two people to assemble the product

Installation Instructions

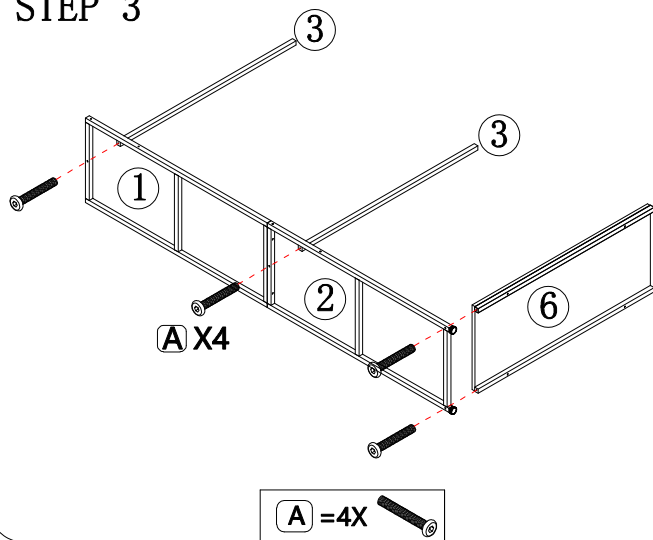
STEP 1



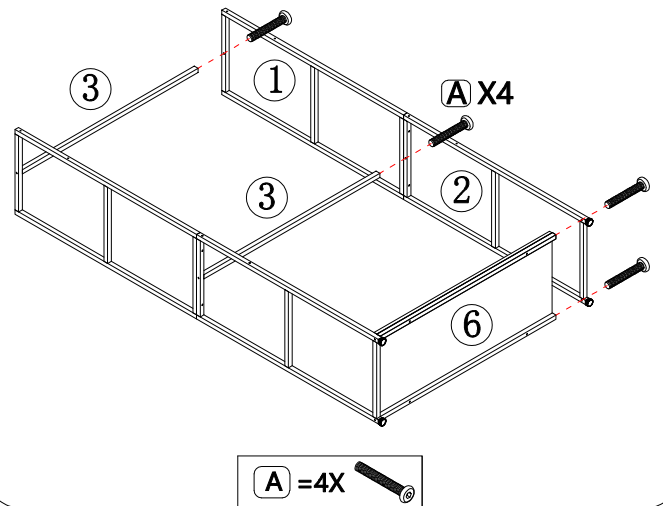
STEP 2



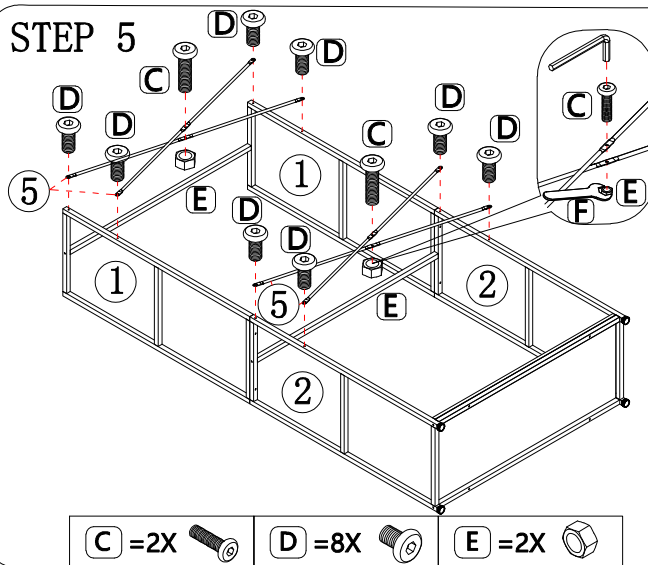
STEP 3



STEP 4



STEP 5



STEP 6

