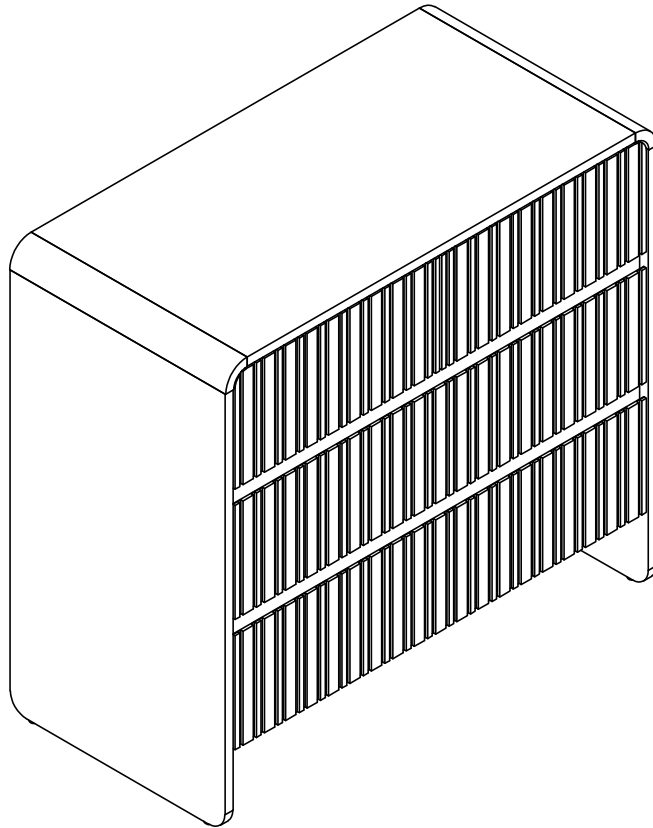


Installation Instruction



Assembling

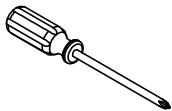
Estimated time for assembly



45 : 00

What you need

- Use the packaging carton as a working surface to prevent product damage during assembly
- Phillips head screwdriver



Weight Limitation



100

lbs table top

| 35

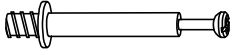
lbs per

What' included

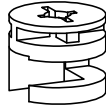
Code	Description	Qty
A	Cam Bolt M6X35MM	48
B	Cam Lock 15X10MM	48
C	Wooden Dowel M8X30MM	14
D	Screw M4X40MM	20
E	Selfadhesive hole sticker	34
F	MATS	4
G	Metal connector	2
H	Screw M3.0X14MM	38
I	Screw M3.5X16MM	12
J	Ilastic Angle code	11
K	Anchor	2
CL	Left mother extended orbit	4
CR	Right mother extended orbit	4
DL	Left public extension track	4
DR	Right public extends track	4

The Hardwares

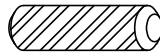
(A)



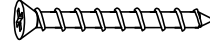
(B)



(C)



(D)



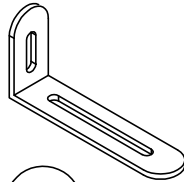
(E)



(F)



(G)



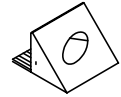
(H)



(I)



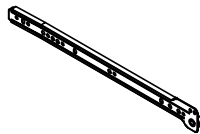
(J)



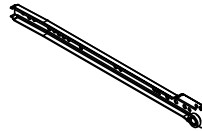
(K)



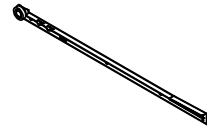
(CL)



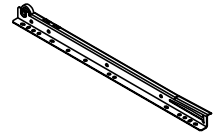
(CR)



(DL)



(DR)



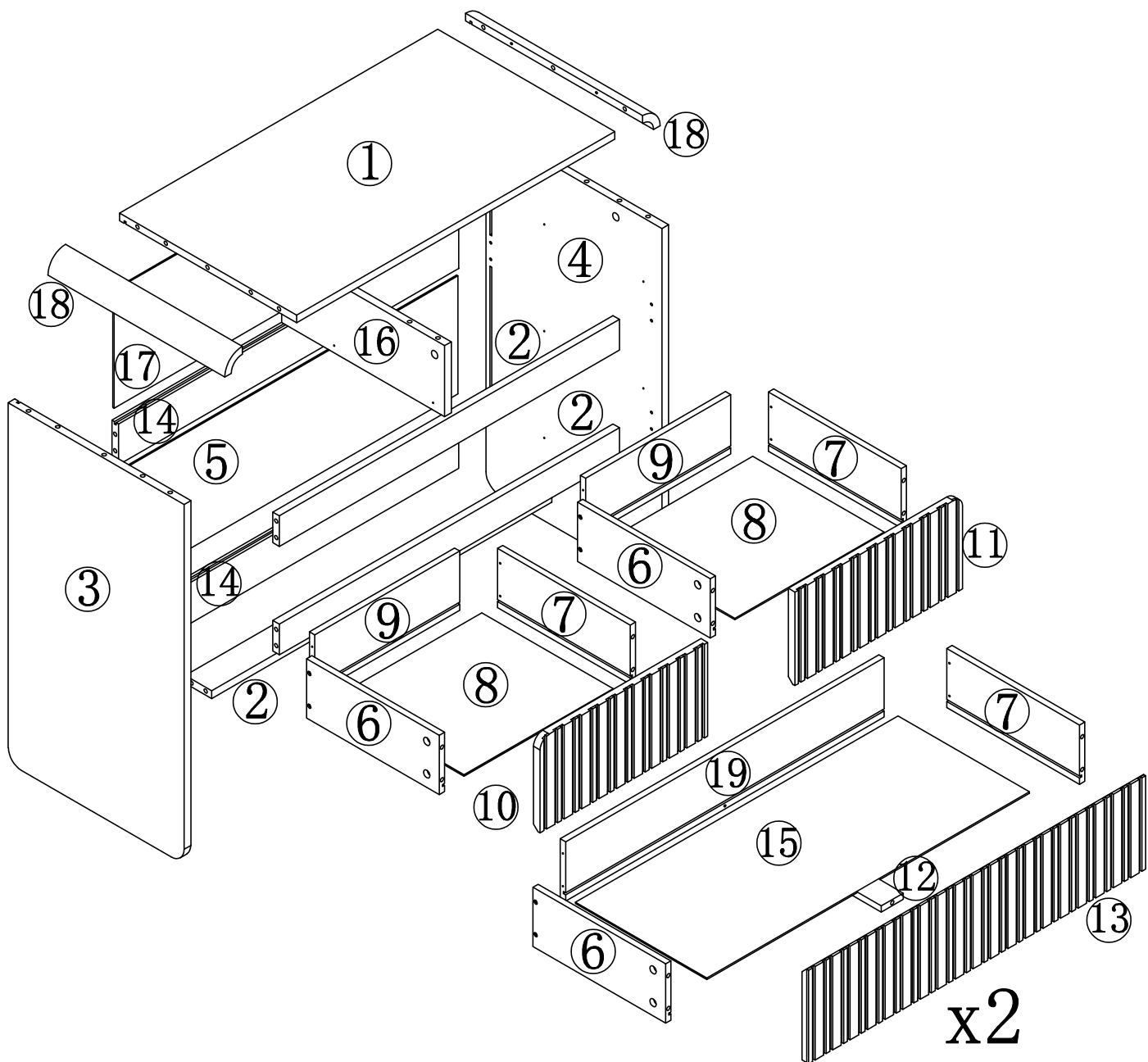
IMPORTANT:

1. Do not tighten bolts / screws completely until all bolts / screws are lined up and inserted into holes.
2. Do not over tighten screws and bolts to avoid stripping
3. Please use hand tools to assemble this product. Do not use power tools.

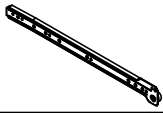


Included Accessories

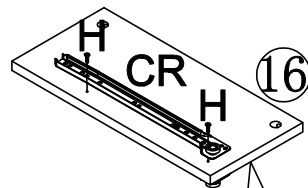
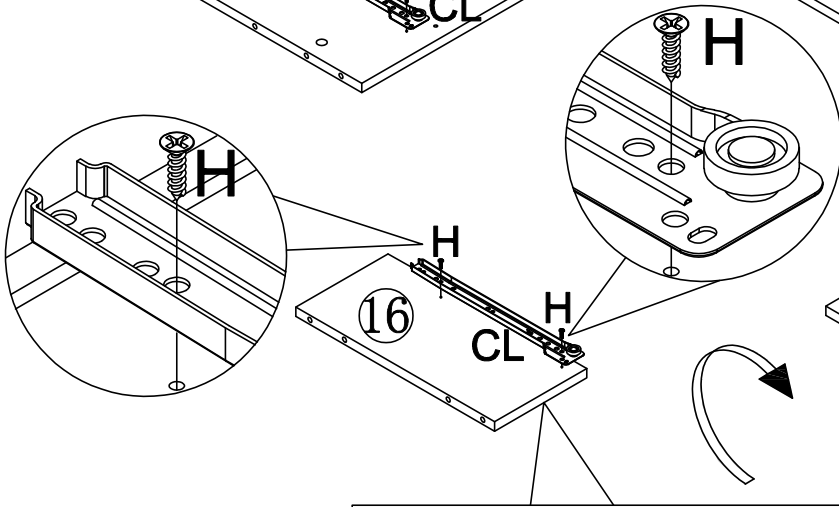
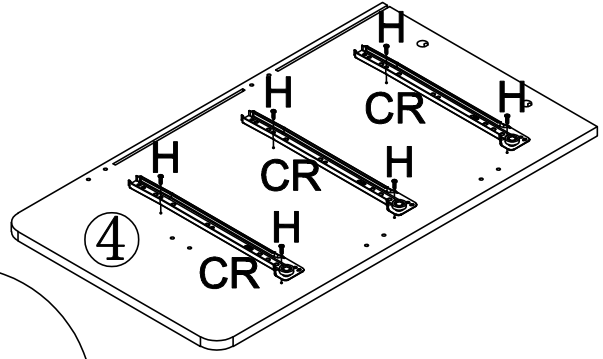
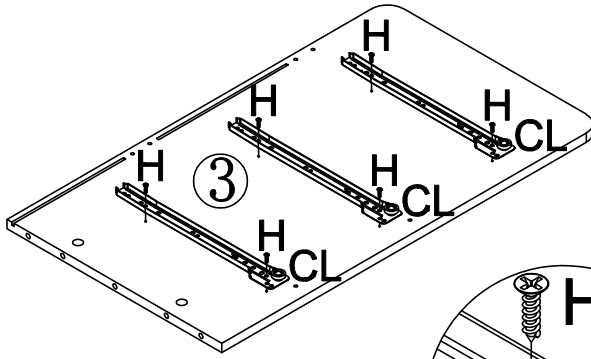
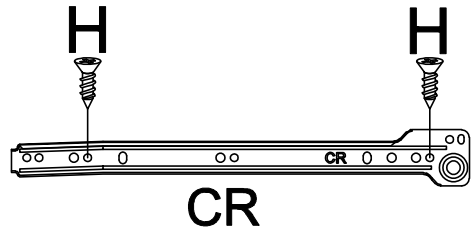
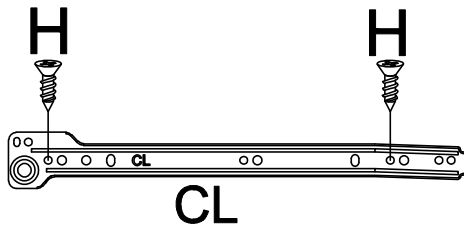
Code	Description	Qty
1	Cabinet Top	1
2	Baffle plate	3
3	Left Side Panel	1
4	Right Side Panel	1
5	Upper back plate	1
6	Drawer left panel	4
7	Drawer right side panel	4
8	The drawer bottom	2
9	After the drawer board	2
10	Upper left drawer panel	1
11	Top right drawer panel	1
12	At the bottom of the drawer	2
13	Bottom drawer panel	2
14	After the gusset plates	2
15	The drawer bottom	2
16	Superior septum	1
17	below back plate	1
18	Arc connecting plate	2
19	The drawer bottom	2

The Accessoriss



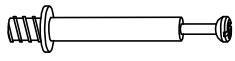
Step 1

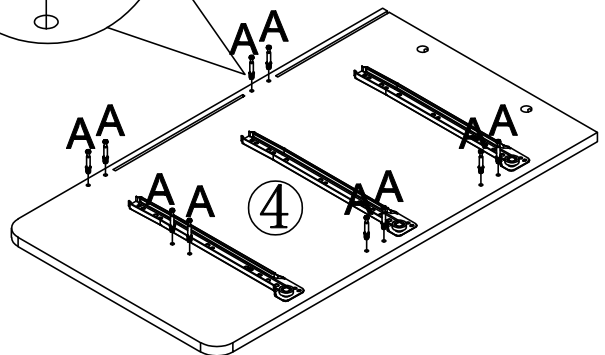
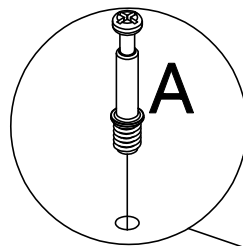
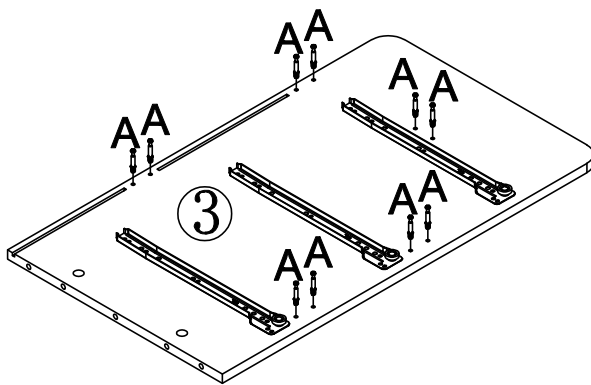
CL	×4	CR	×4	H	×16
					



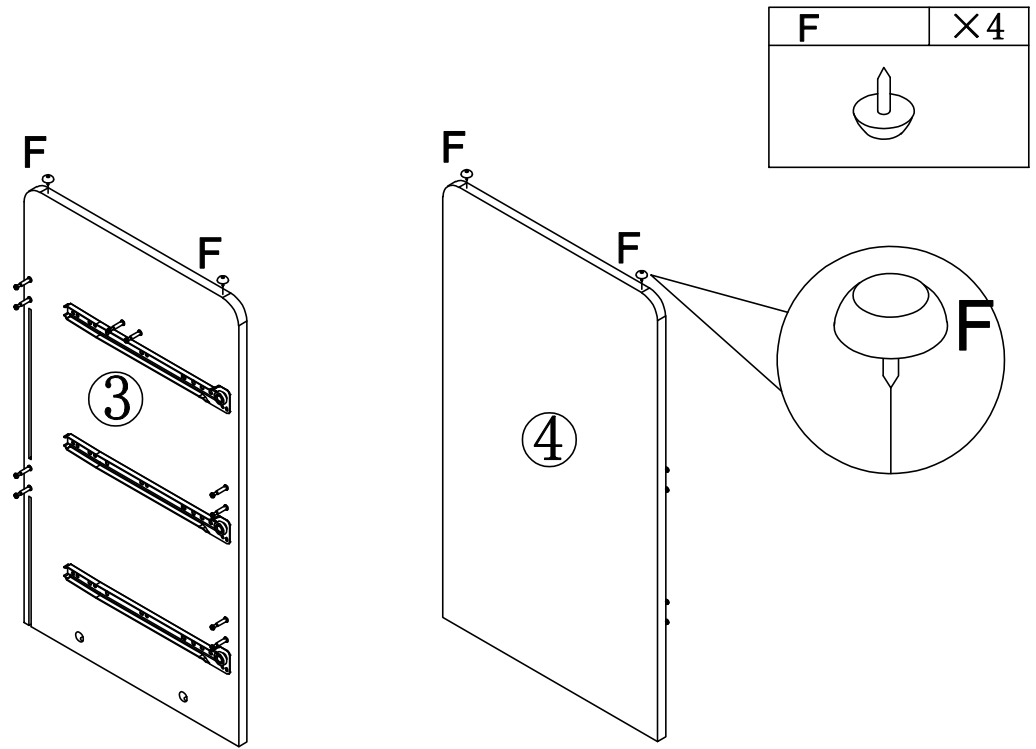
This side has PVC sealing edge

Step 2

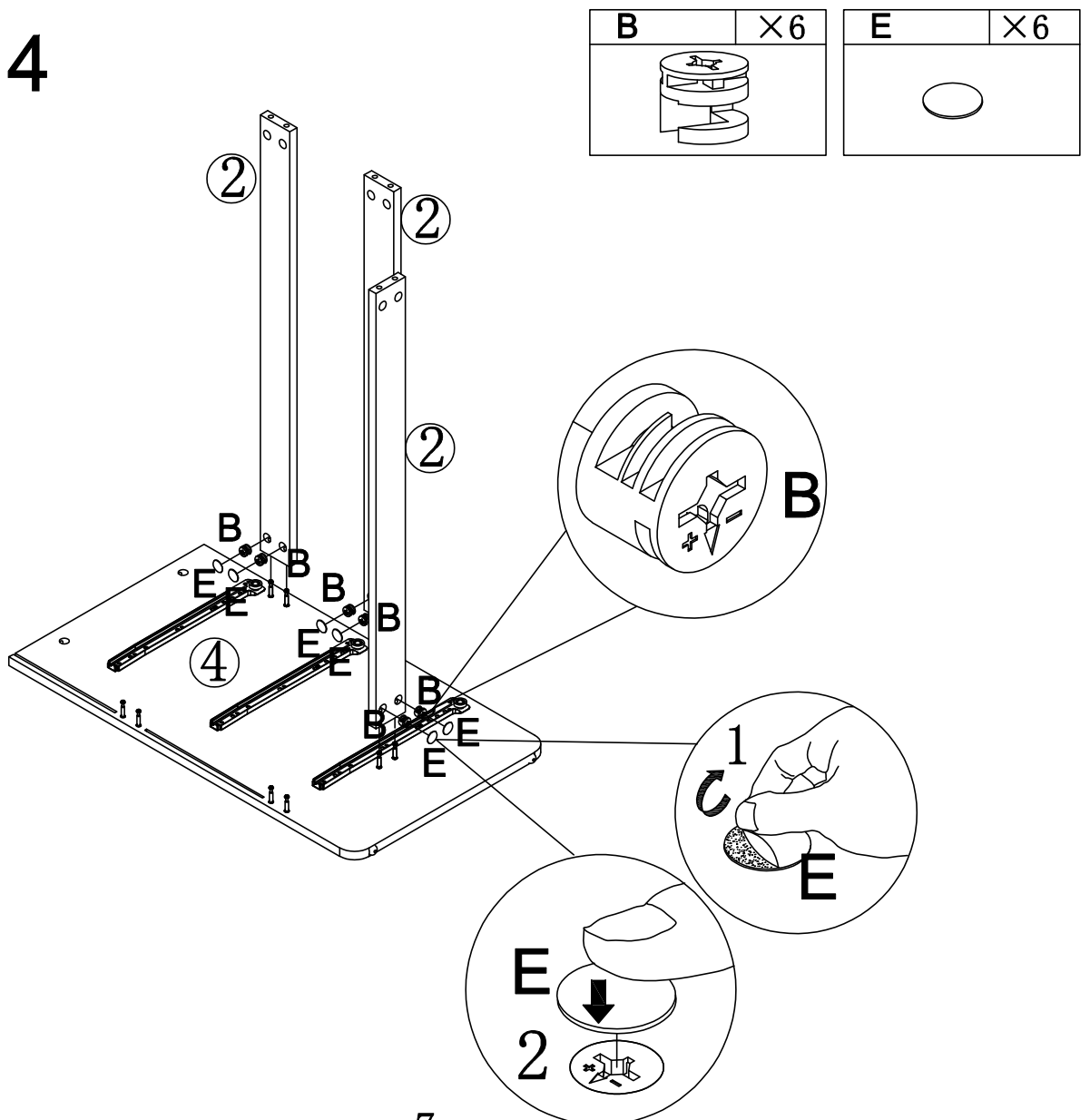
A	×20
	



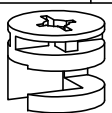

Step 3

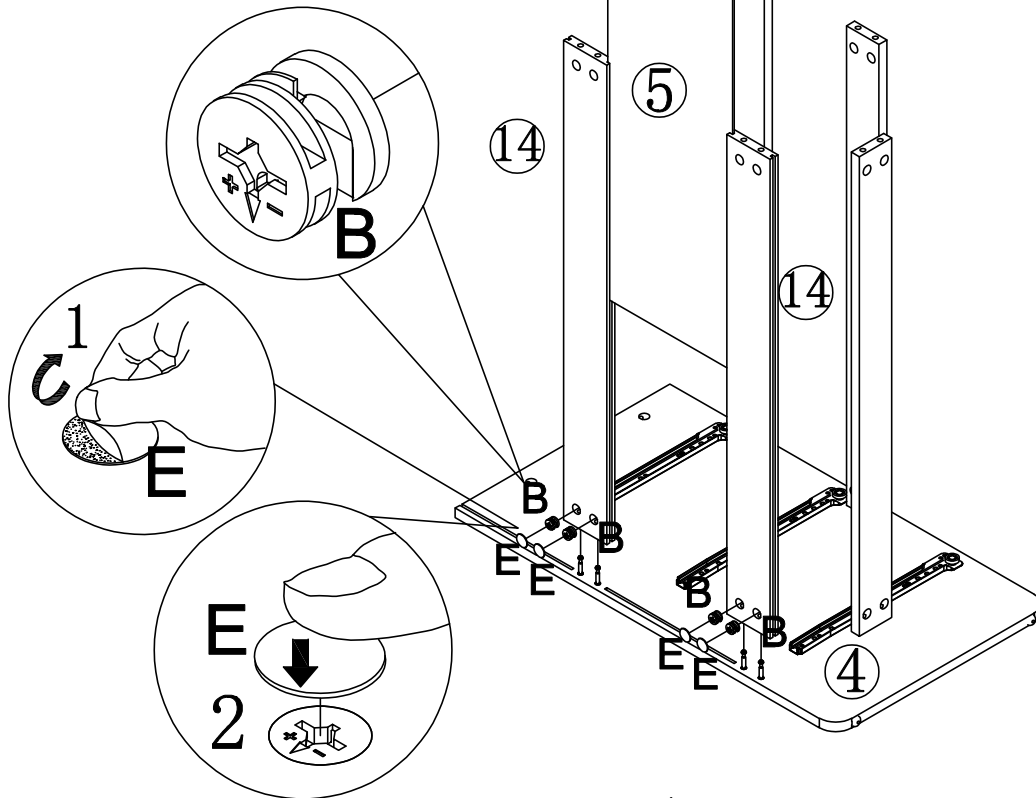


Step 4

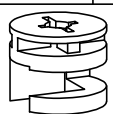



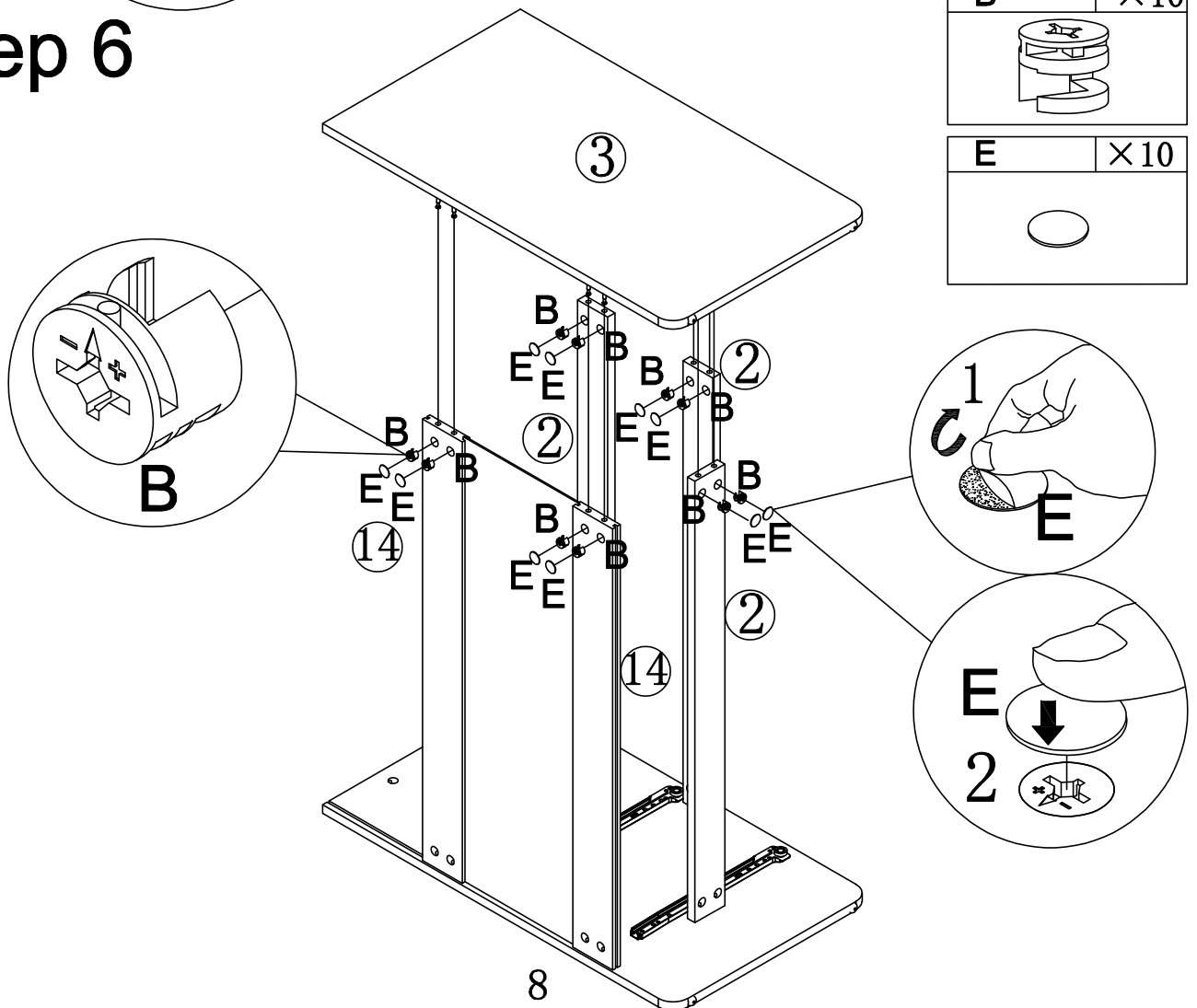
Step 5

B	×4	E	×4
			

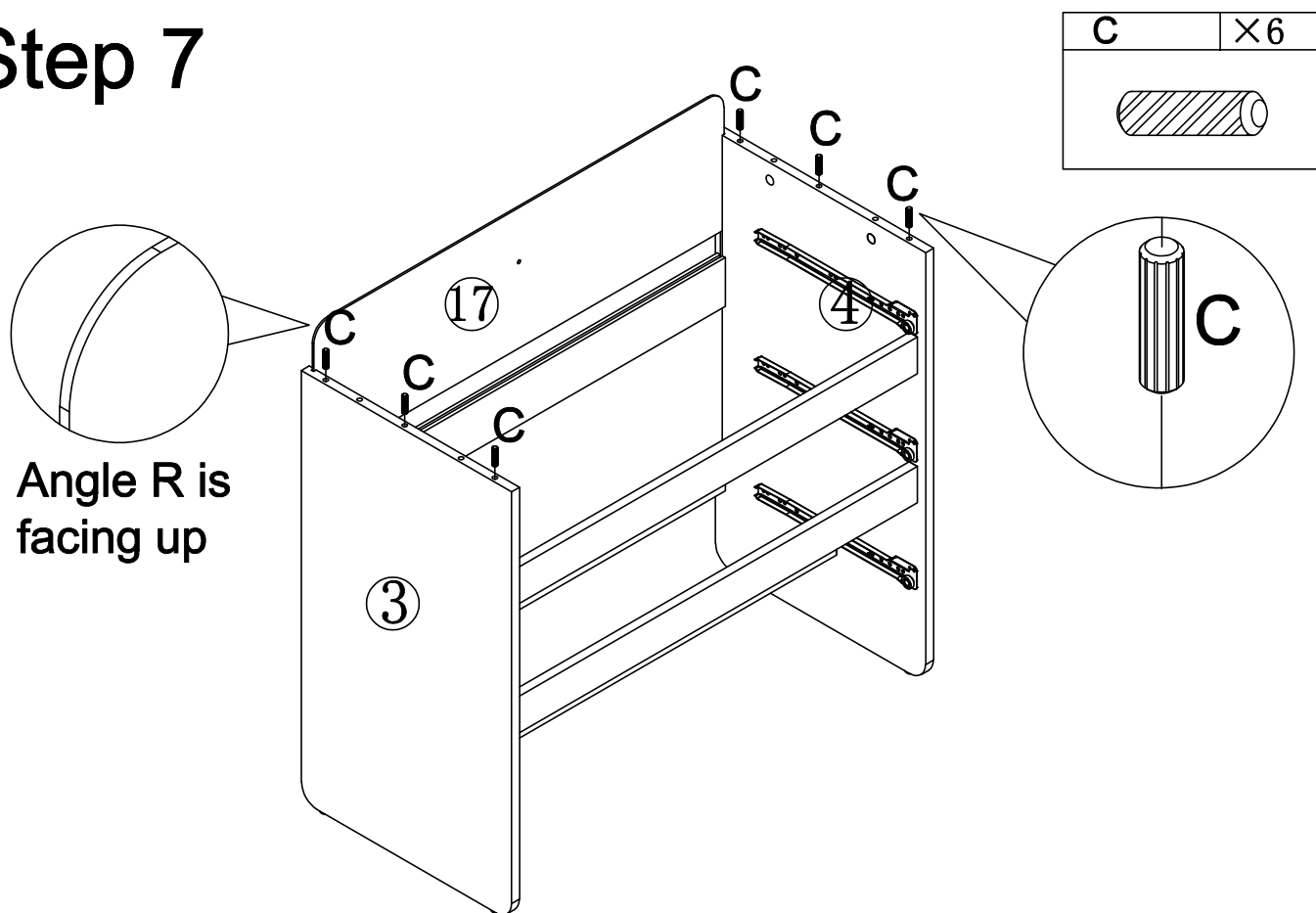


Step 6

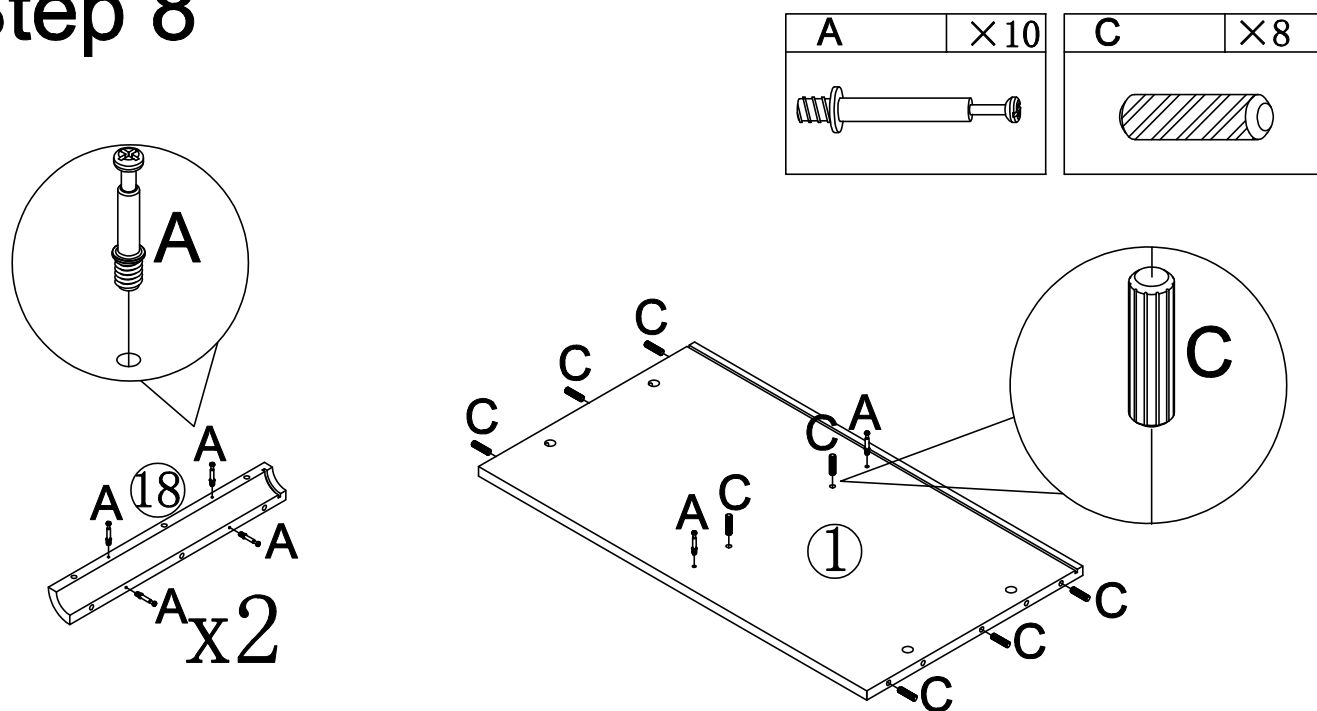
B	×10	E	×10
			



Step 7



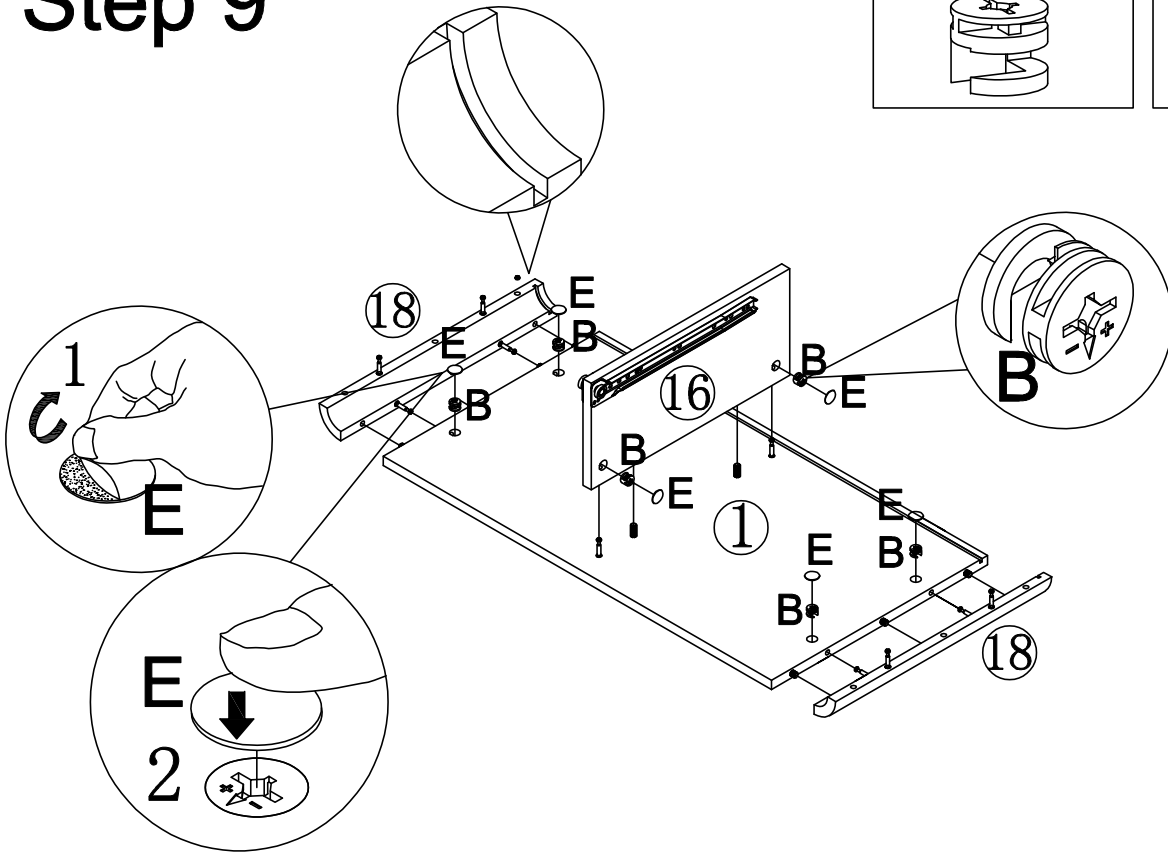
Step 8



Note that when the No. ⑱ connecting plate is equipped with R Angle lock hardware A, it should be locked straight, not crooked, not very tight, and the normal lock is flat

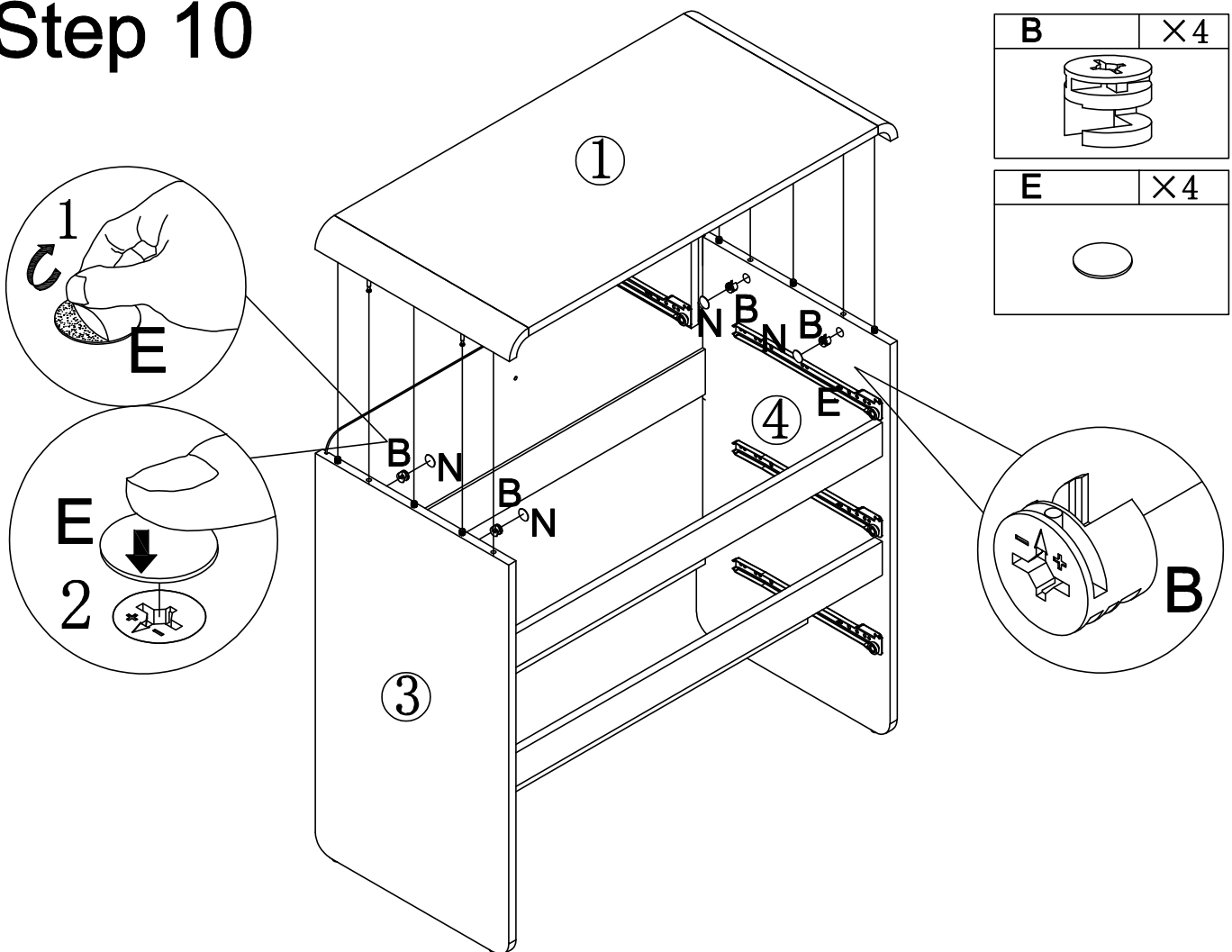
Step 9

B	×6
E	×6

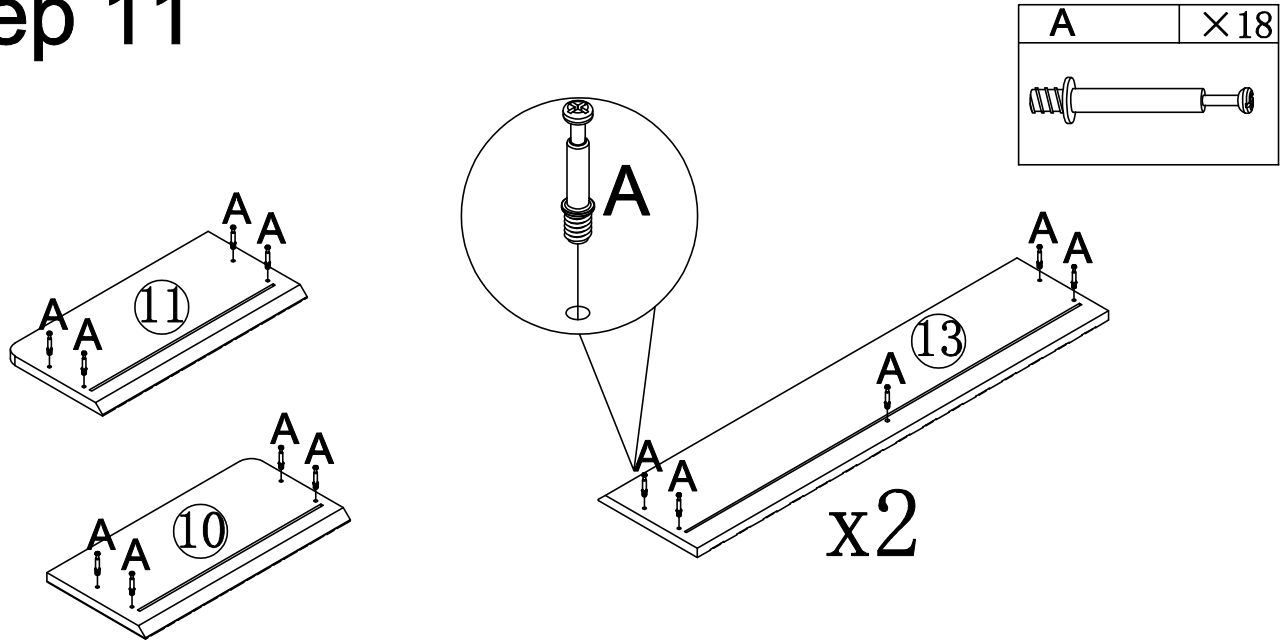


Step 10

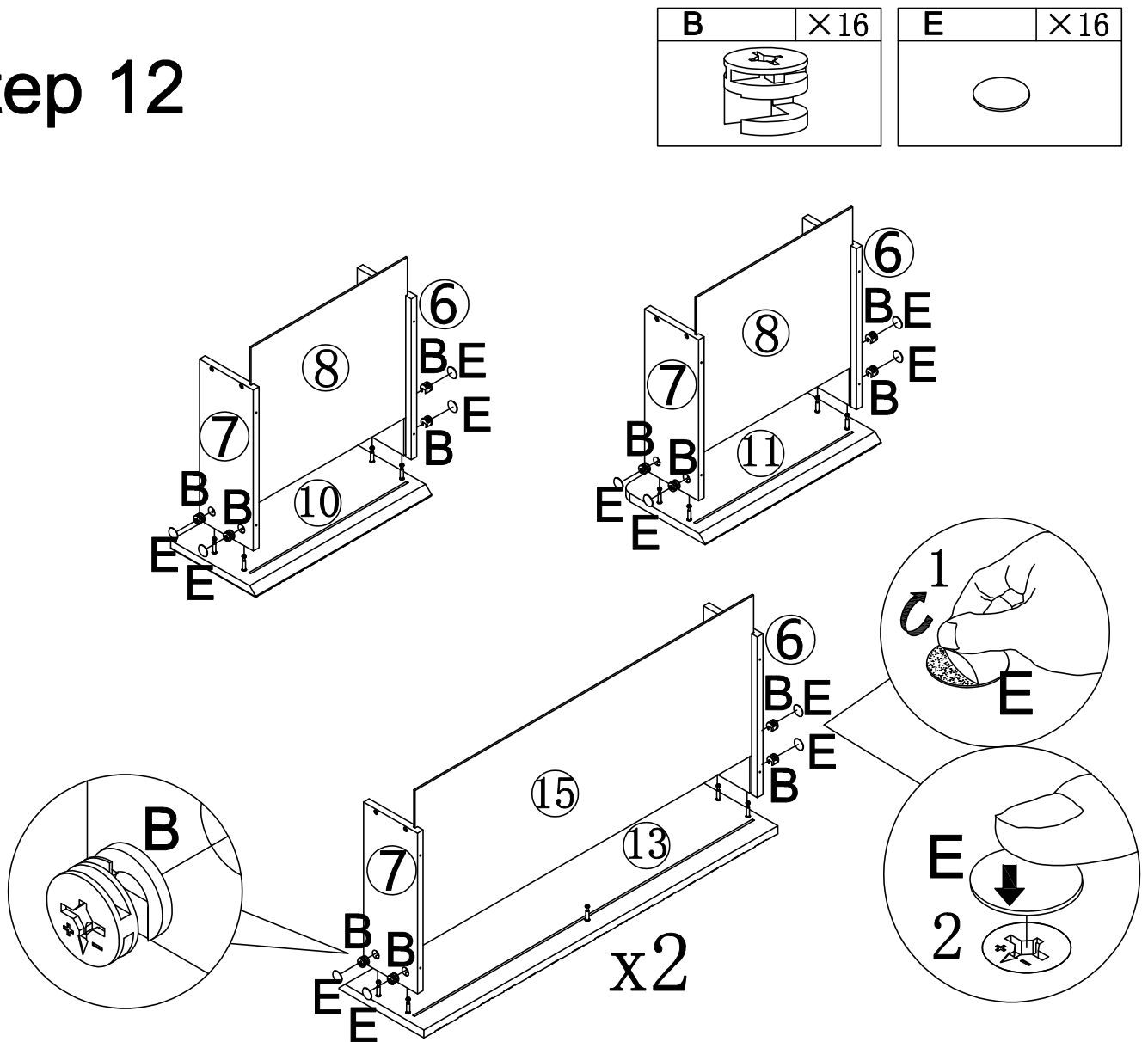
B	×4
E	×4



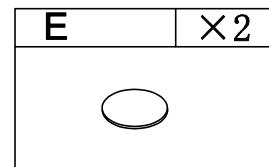
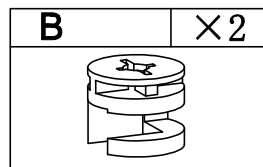
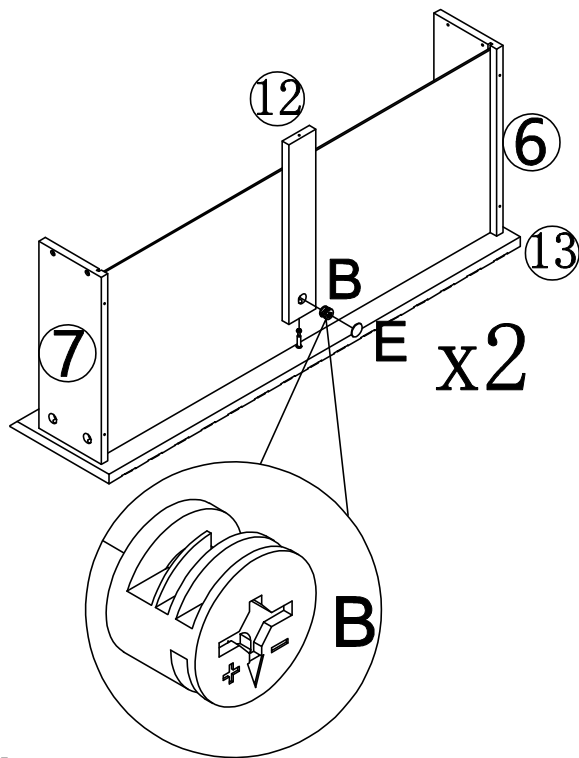
Step 11



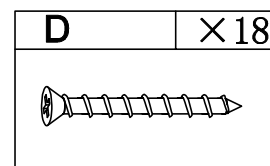
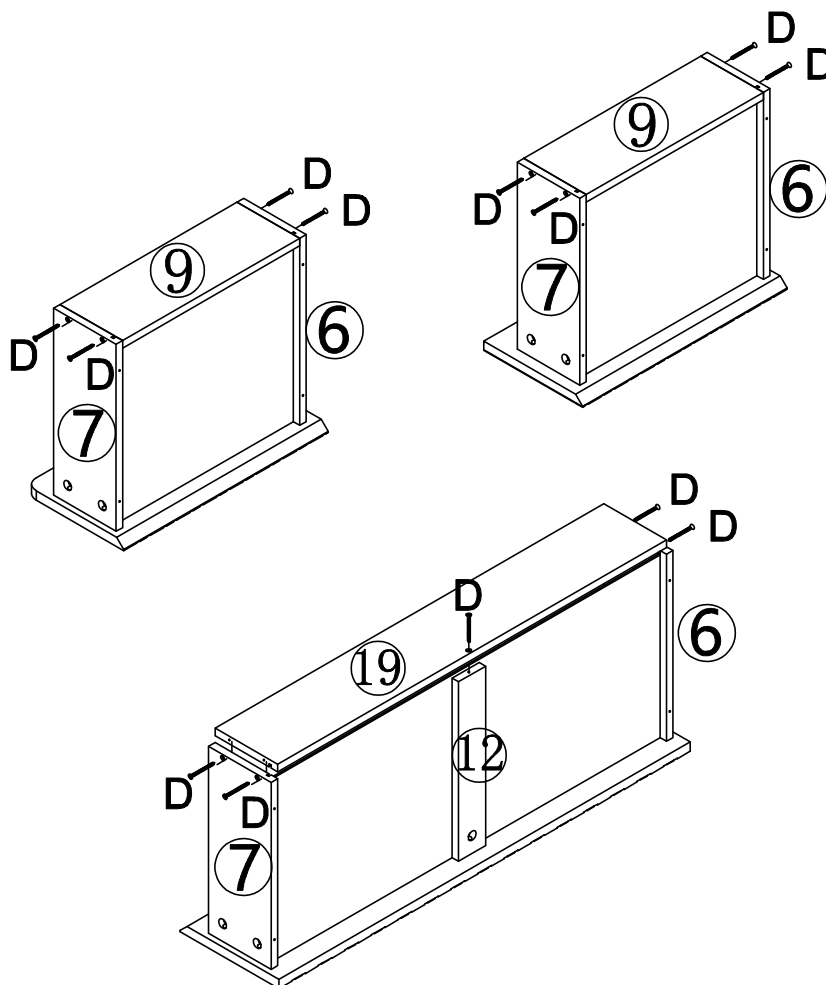
Step 12



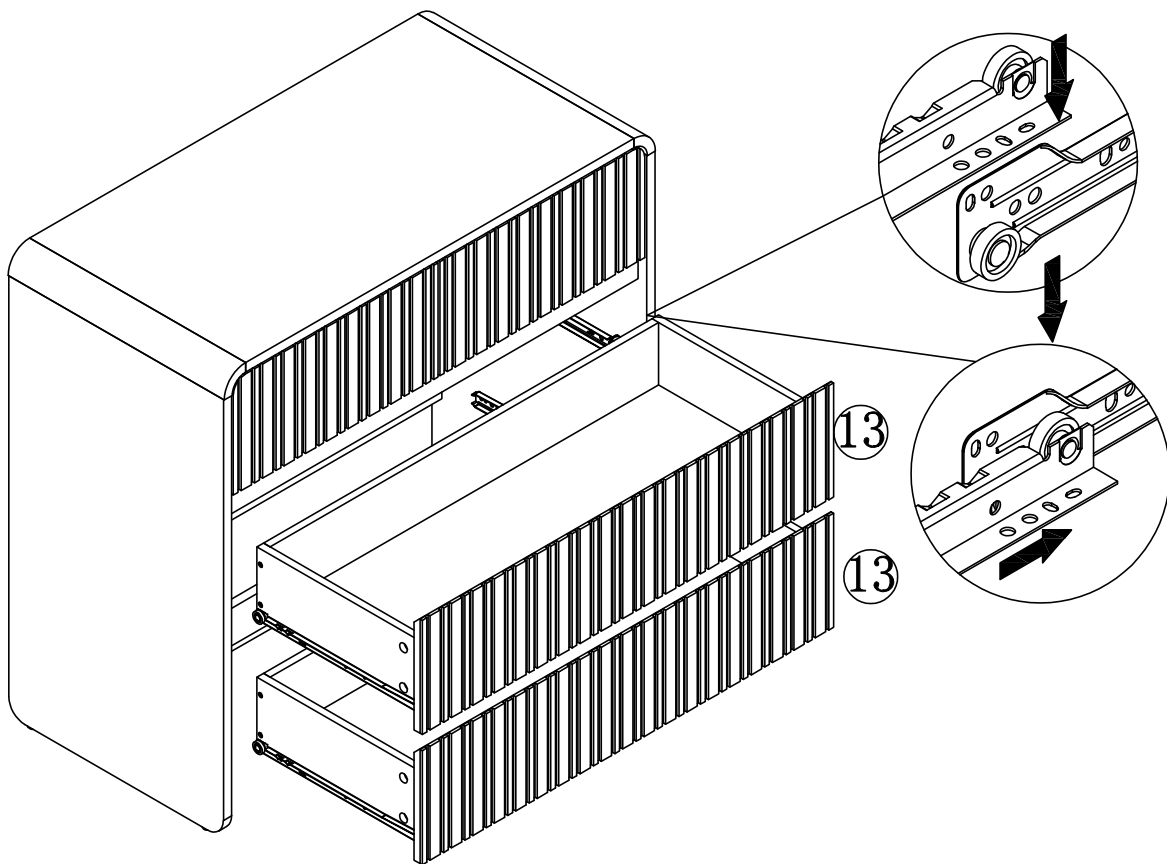
Step 13




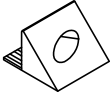
Step 14

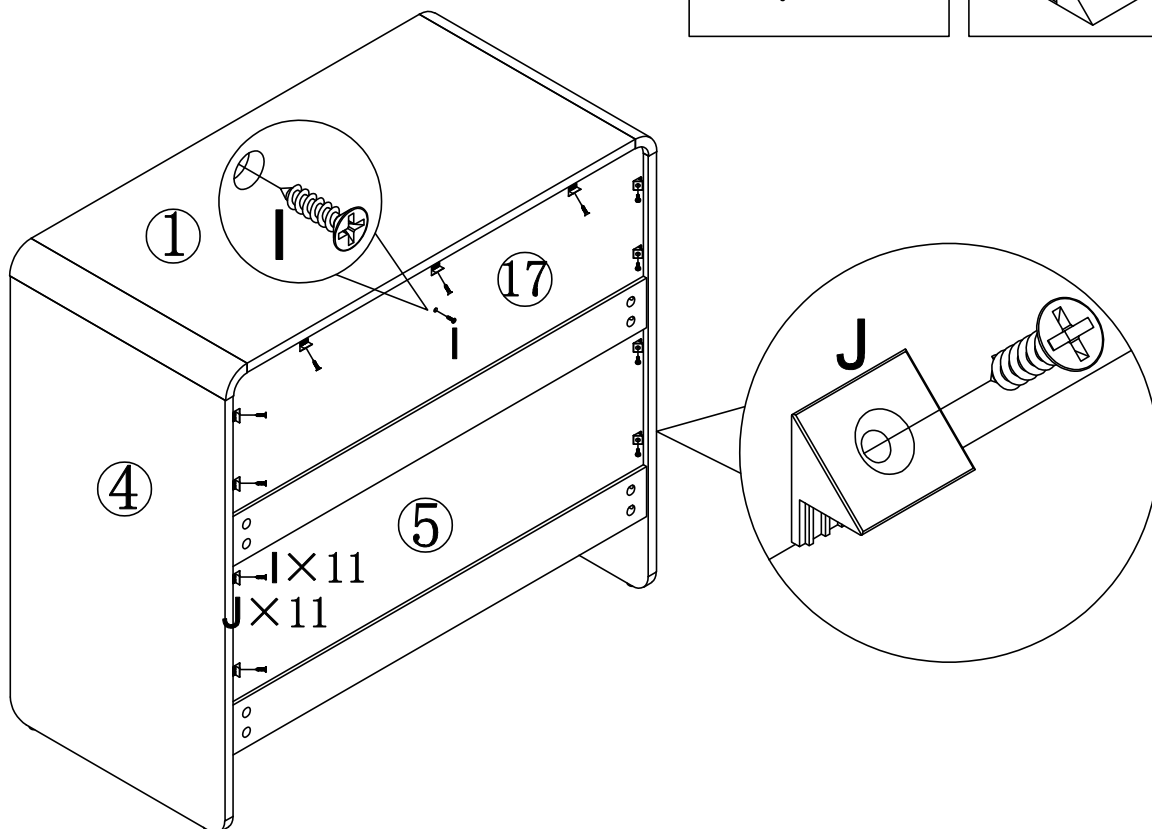


Step 17

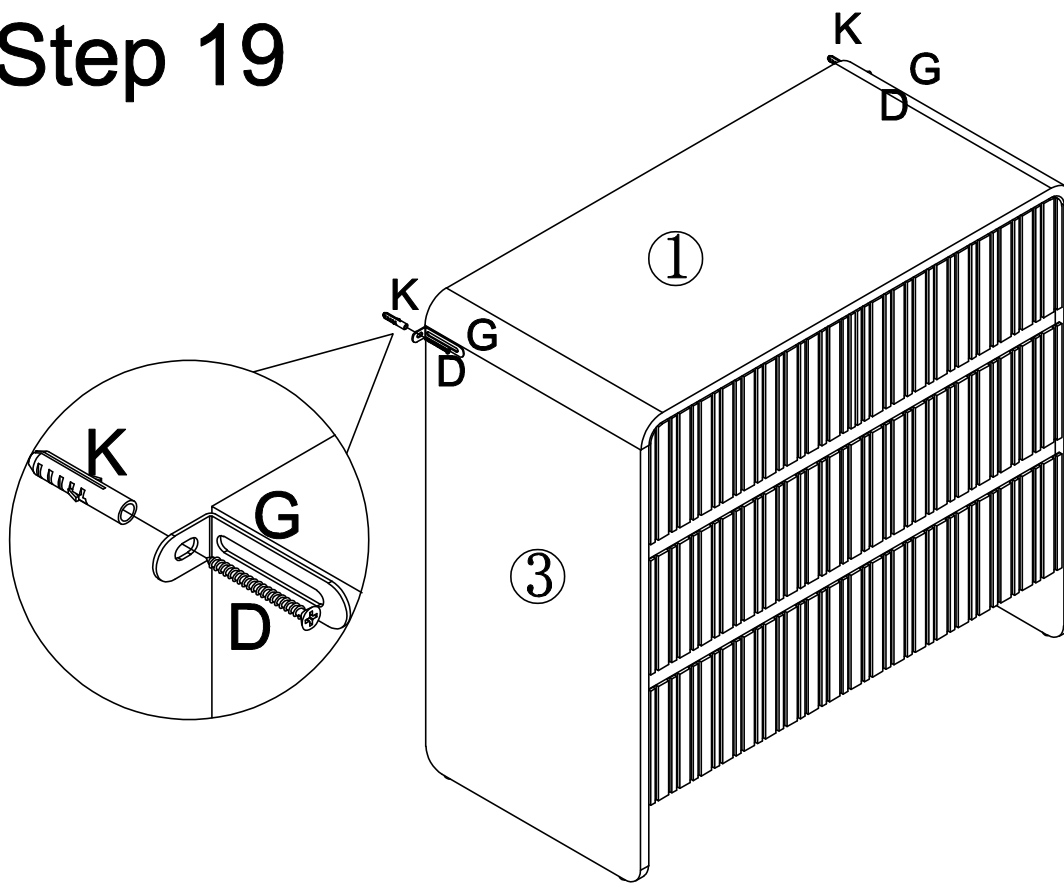


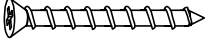
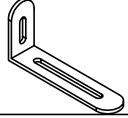

Step 18

I	×12	J	×11
			

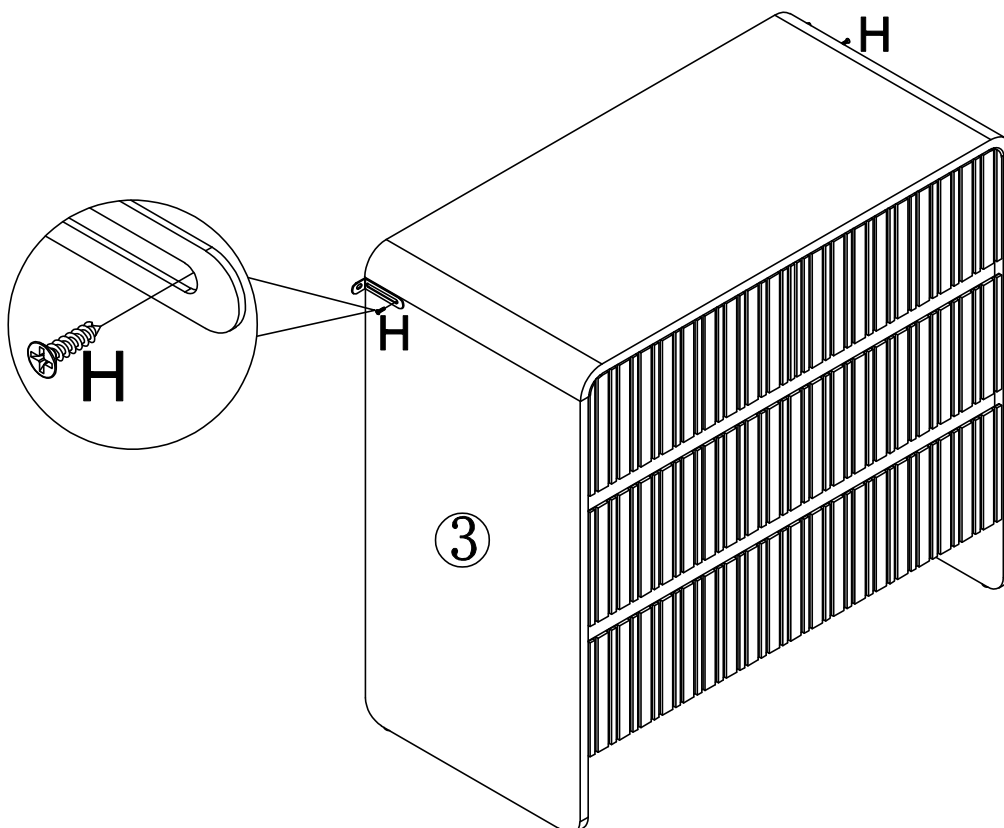


Step 19



D	×2
	
G	×2
	
K	×2
	

Step 20



H	×2
