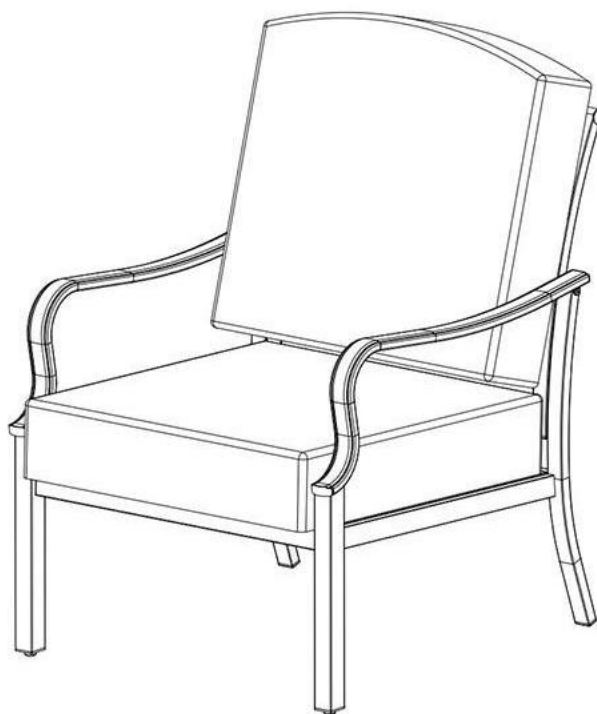
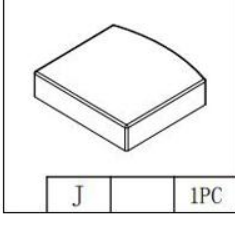
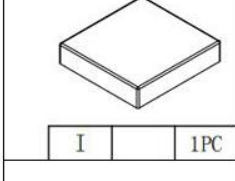
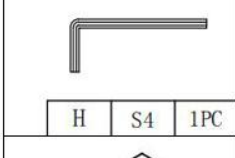
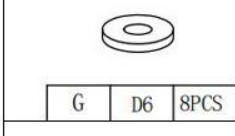
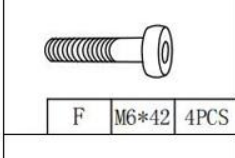
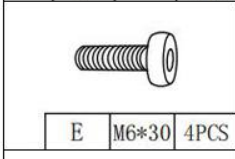
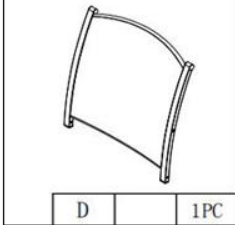
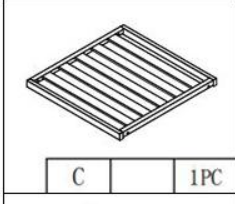
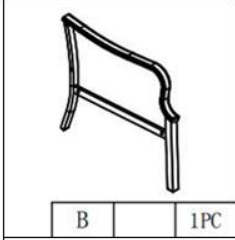
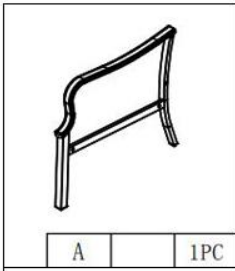
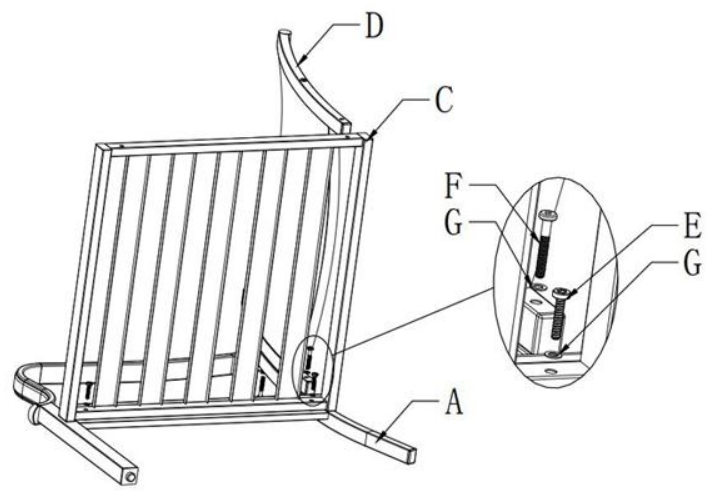


Single sofa with Seat & Back Cushions Assembly Manual



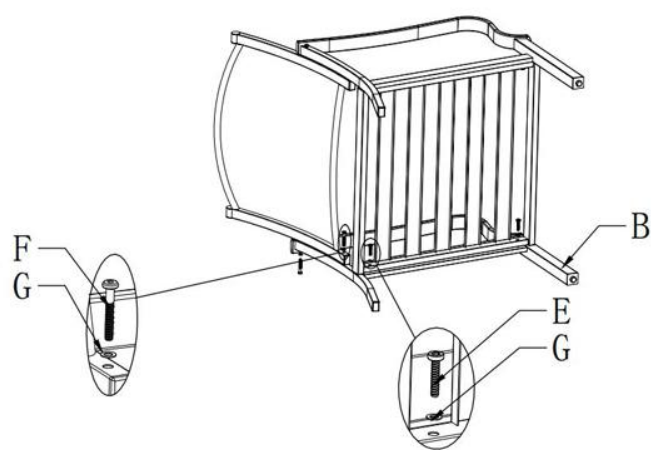


⚠ Please don't tighten the screws until the last step.



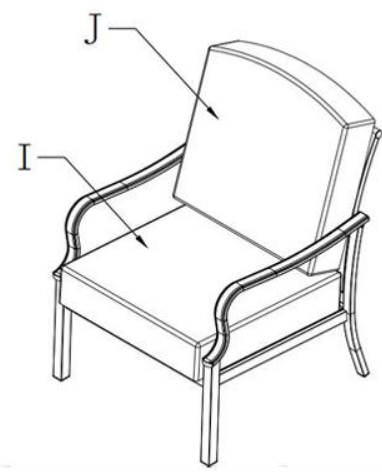
Assembly armrest (Part A) with the seat (Part C) according to the direction of the picture. Then put on the Part G and Screws (Part E); Put on the Part G and Screws (Part F).

A



Assembly armrest (Part B) with the seat (Part C) according to the direction of the picture. Then put on the Part G and Screws (Part E); Put on the Part G and Screws (Part F). After all the screws are assembled in place, tighten them together.

B



Put on the cushions (Part I and J).

C