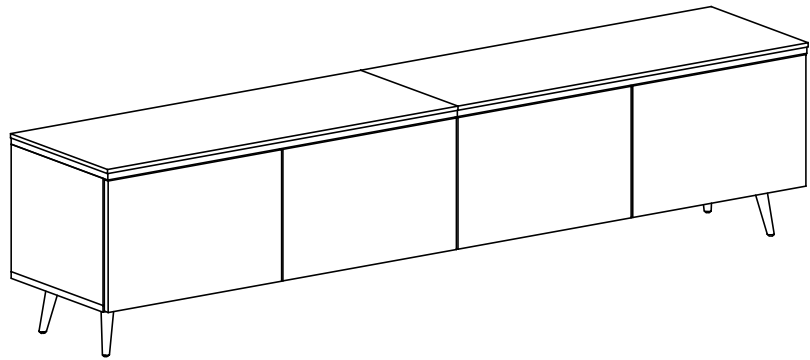
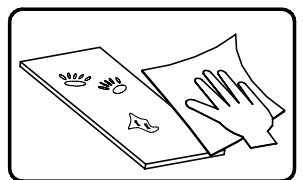
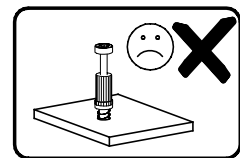
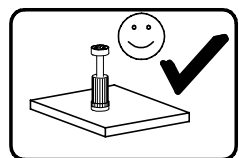
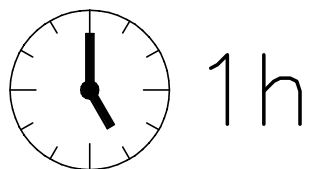
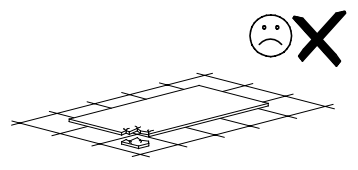
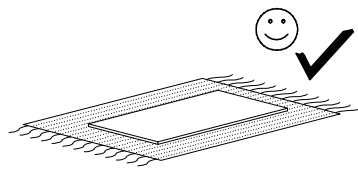
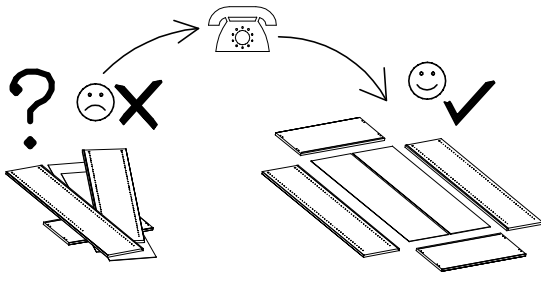
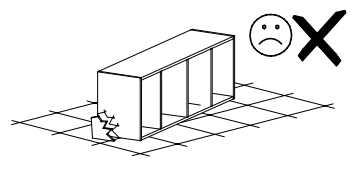
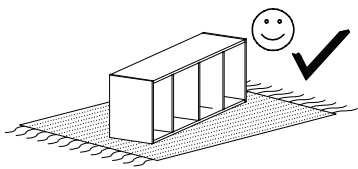
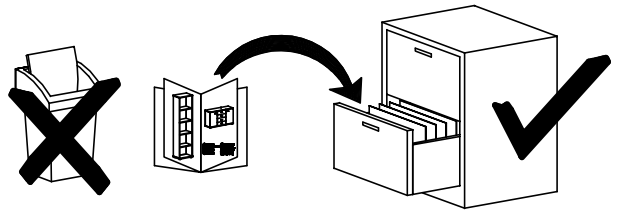
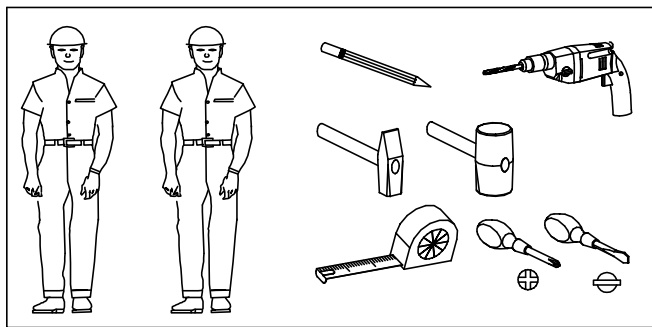
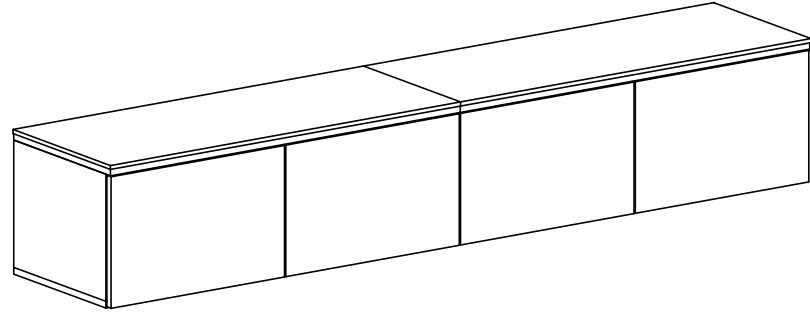
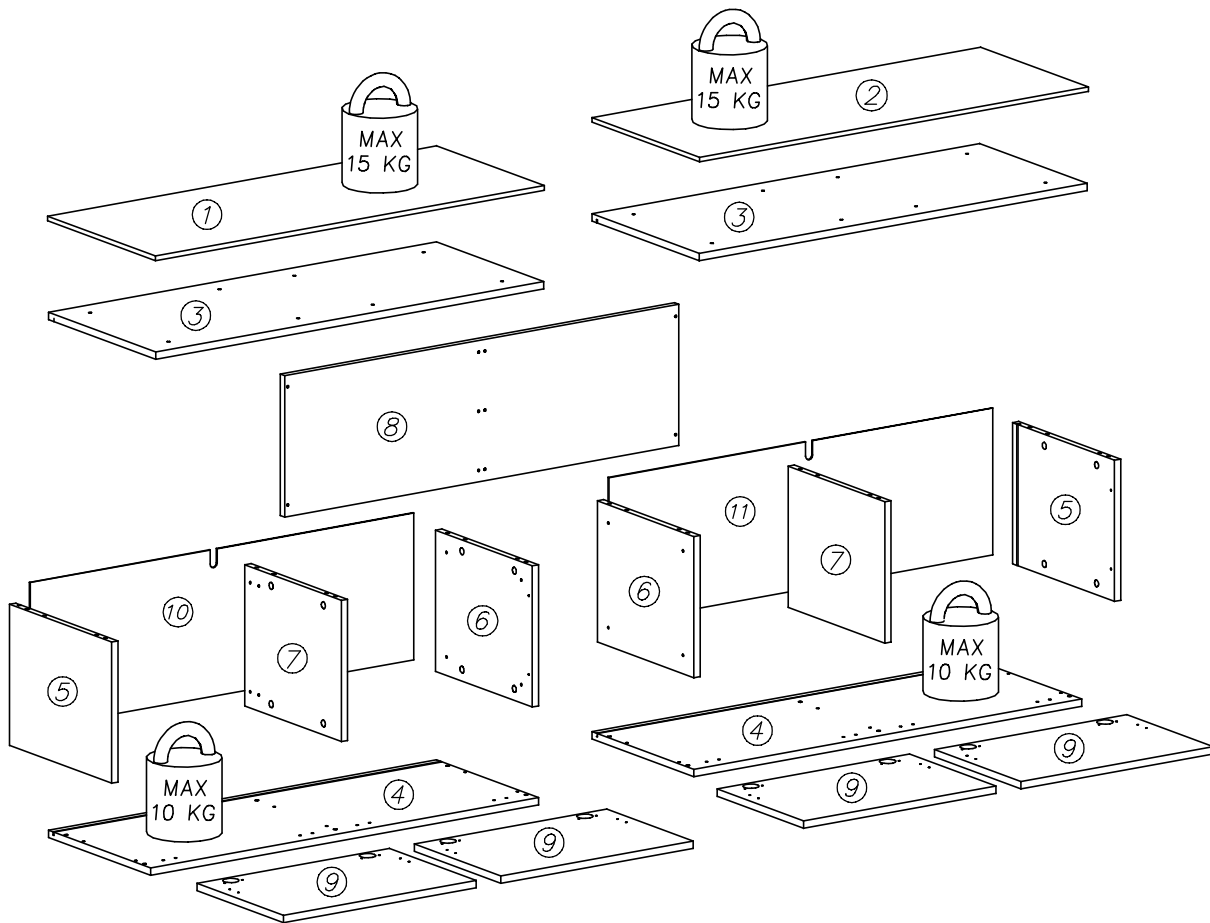
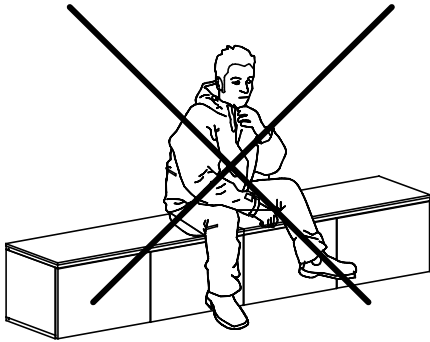
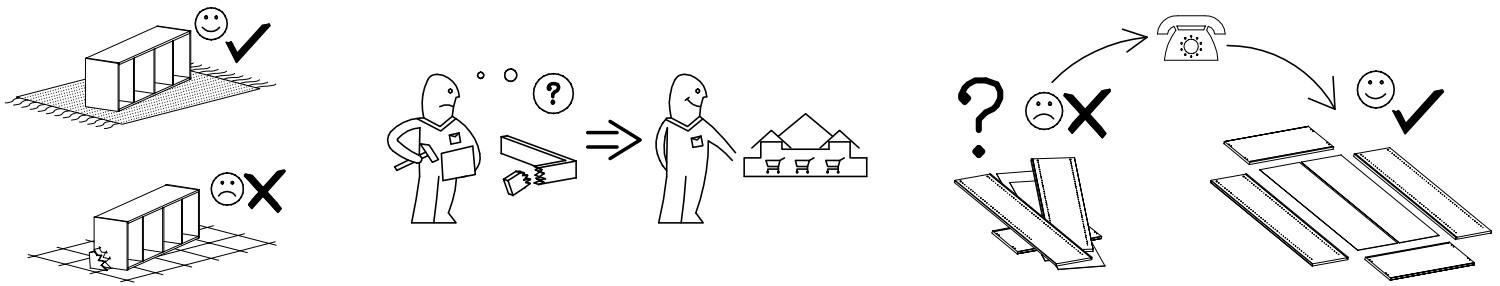


Ver. 1



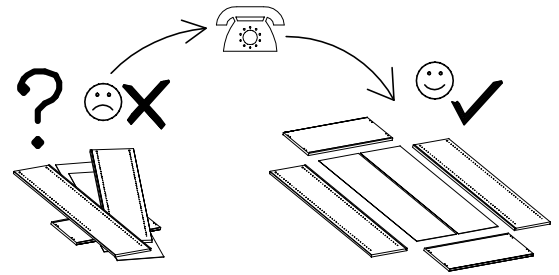
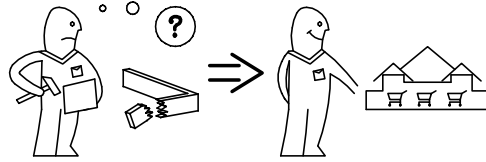
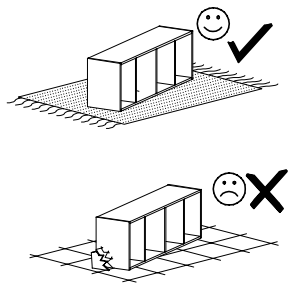
Ver. 2  
(Hanging)



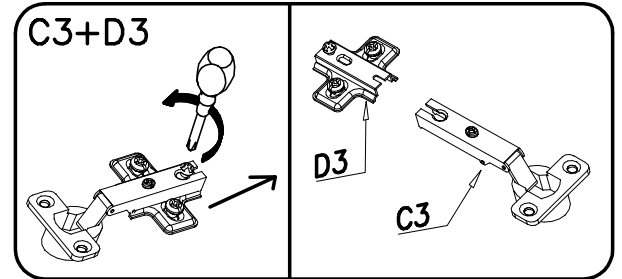


nr	L[mm]	B[mm]	T[mm]	Menge	Colli
1	1000	396	10	1	2/2
2	1000	396	10	1	2/2
3	998	394	16	2	2/2
4	998	375	16	2	2/2
5	308	375	16	2	1/2

nr	L[mm]	B[mm]	T[mm]	Menge	Colli
6	308	355	16	2	1/2
7	308	355	16	2	1/2
8	1014	308	16	1	2/2
9	495	318	16	4	1/2
10	987	320	3	1	2/2
11	987	320	3	1	2/2

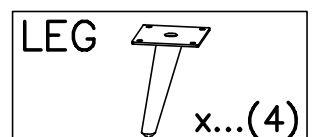
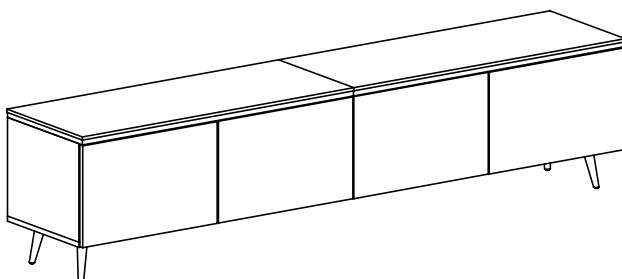


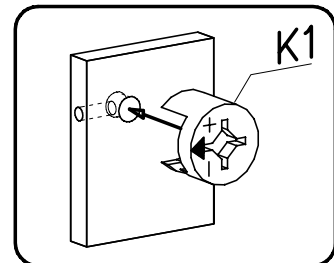
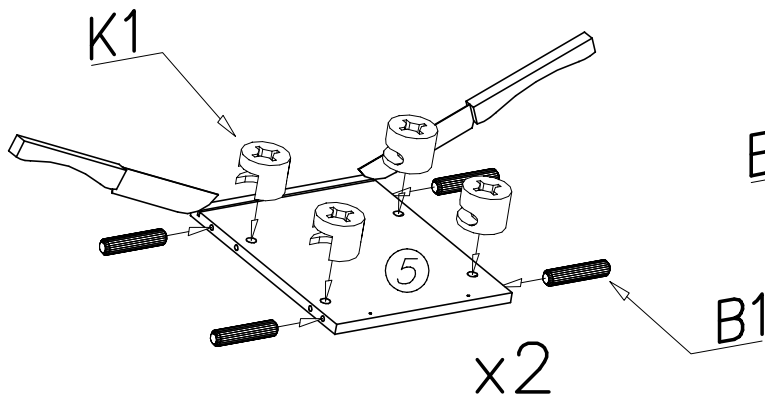
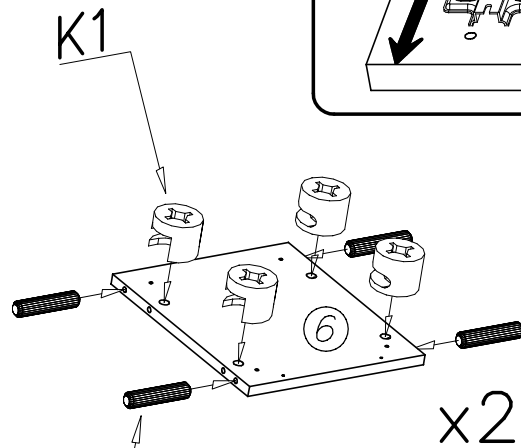
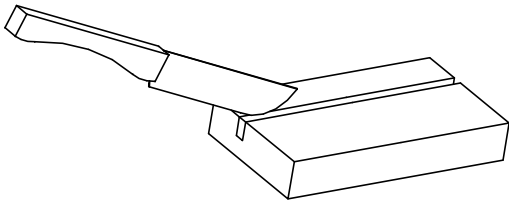
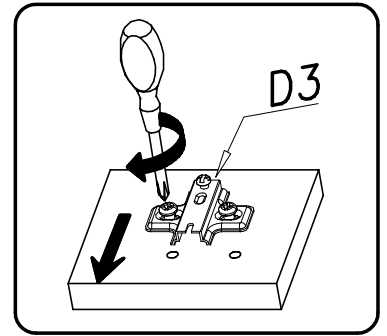
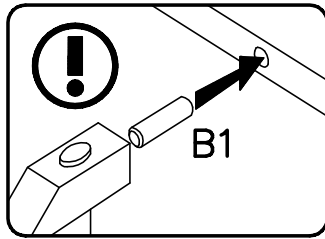
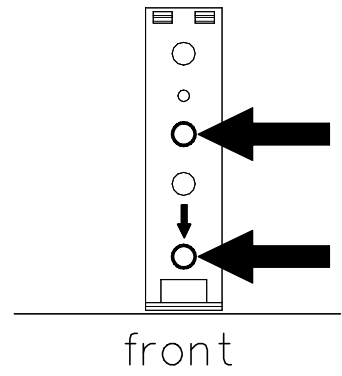
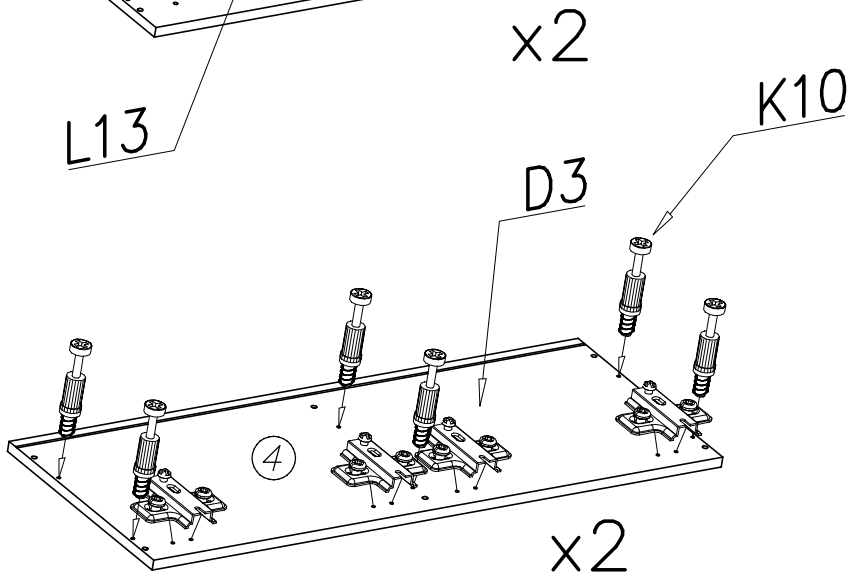
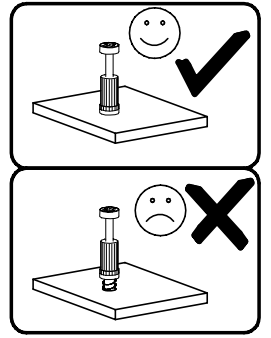
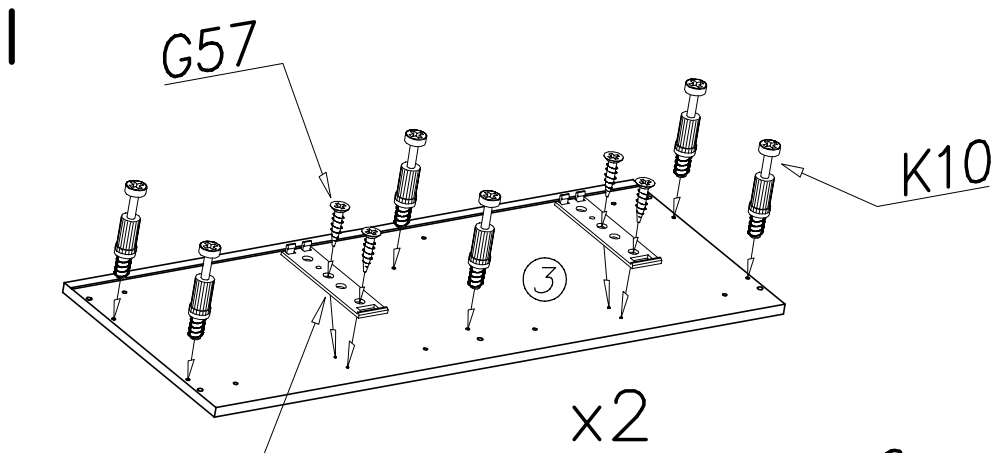
Ver. 1  
Ver. 2



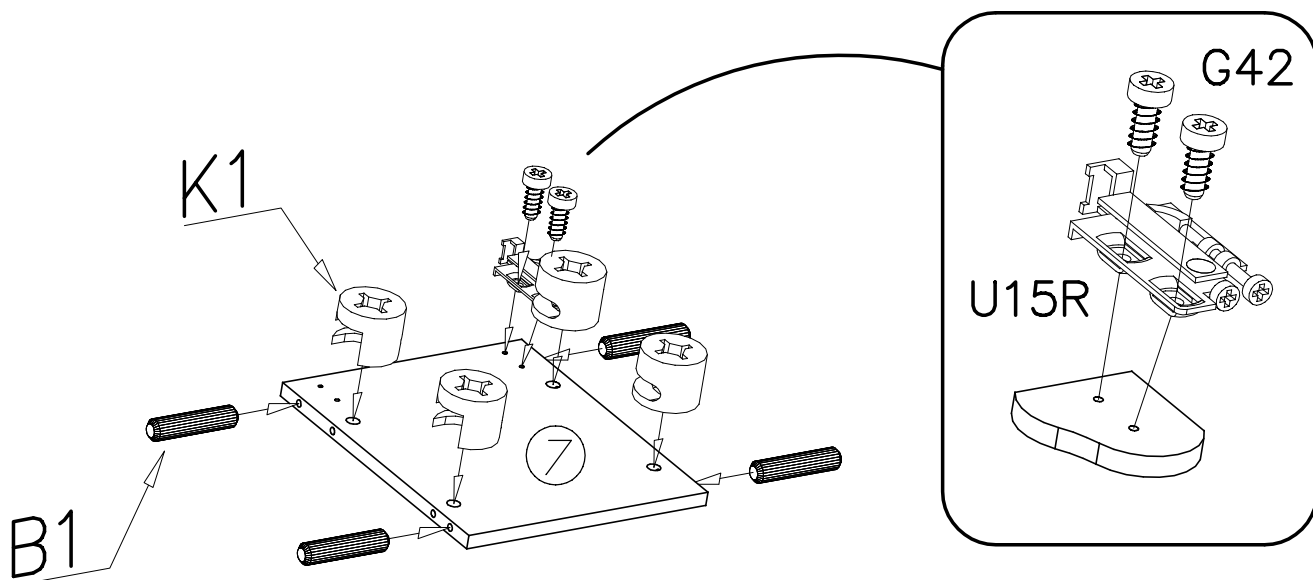
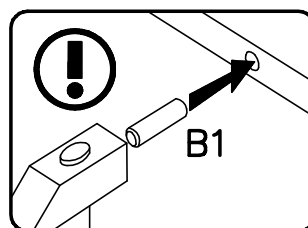
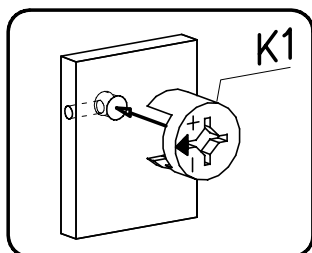
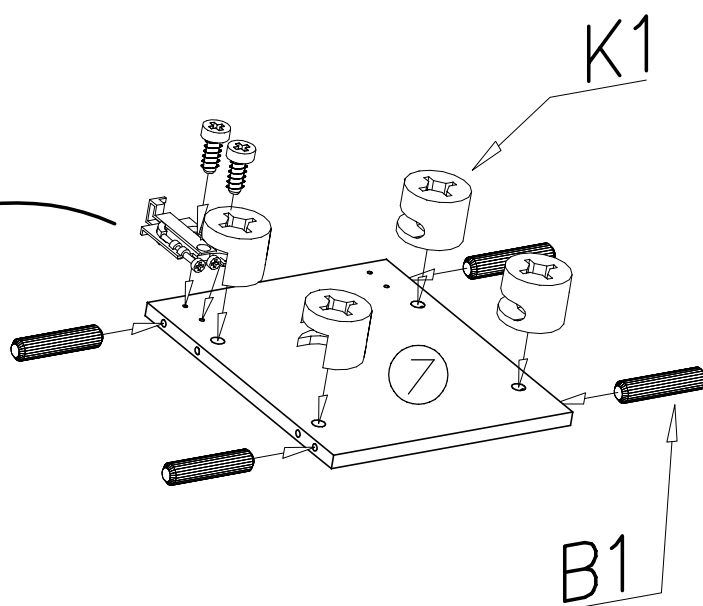
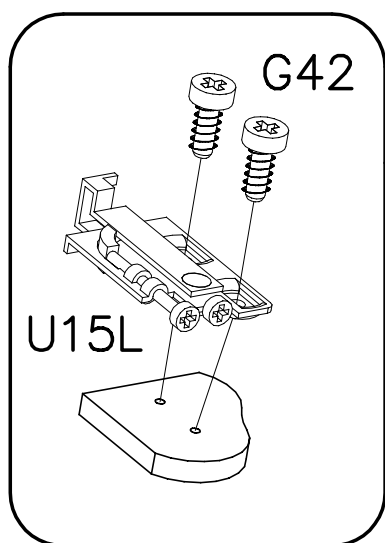
G42 6x14 x...(4)	G32 3,5x16 x...(20)	L8 x...(4)	U8 ø10x60 x...(4)	G40 6x60 x...(4)
U15L x...(1)	U15R x...(1)		G14 3,5x45 x...(10)	U11 x...(2)
U16R x...(1)	U16L x...(1)	L13 x...(4)	C3 Z35PR x...(8)	I7 ø18 x...(24)
K1 ø15x12 x...(24)	G55 6x22 x...(16)	G57 3,5x16 x...(8)	D3 PZ35PR x...(8)	N7 M4x15 x...(4)
K10 x...(24)	I4 ø5 x...(4)	B1 ø8x35 x...(24)	G4 4x16 x...(32)	I1 x...(6)

Ver. 1

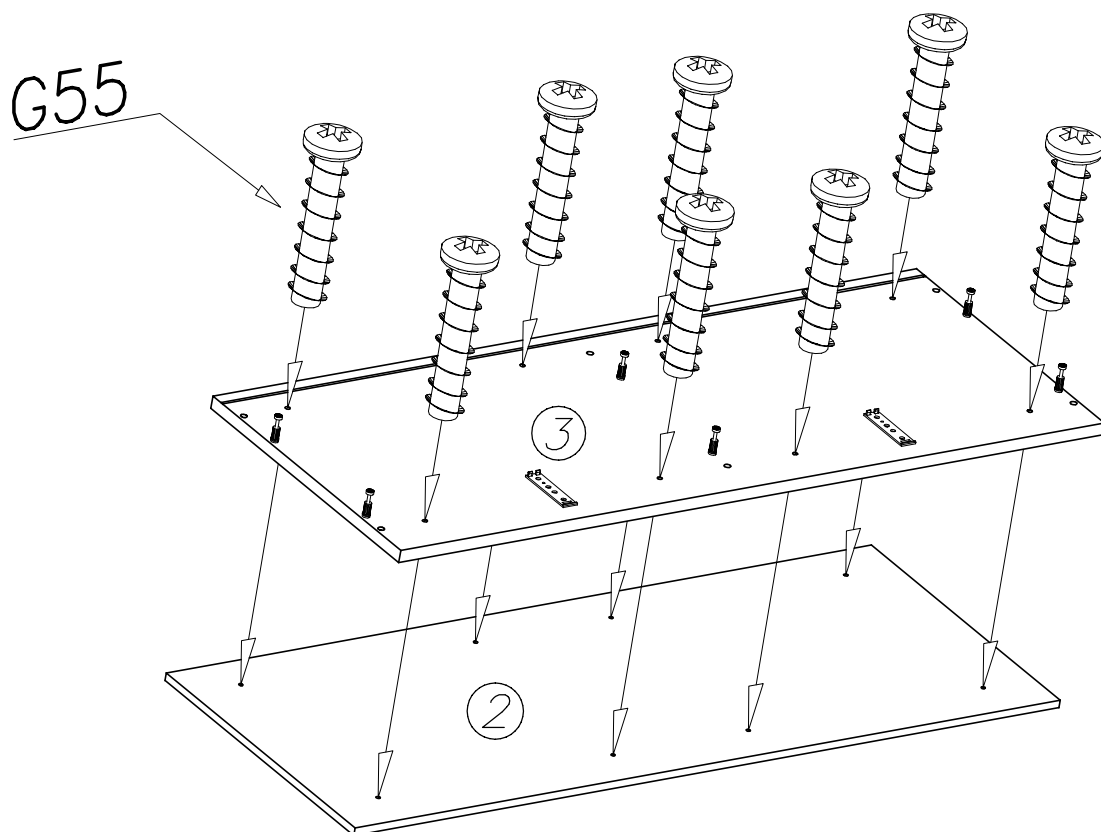
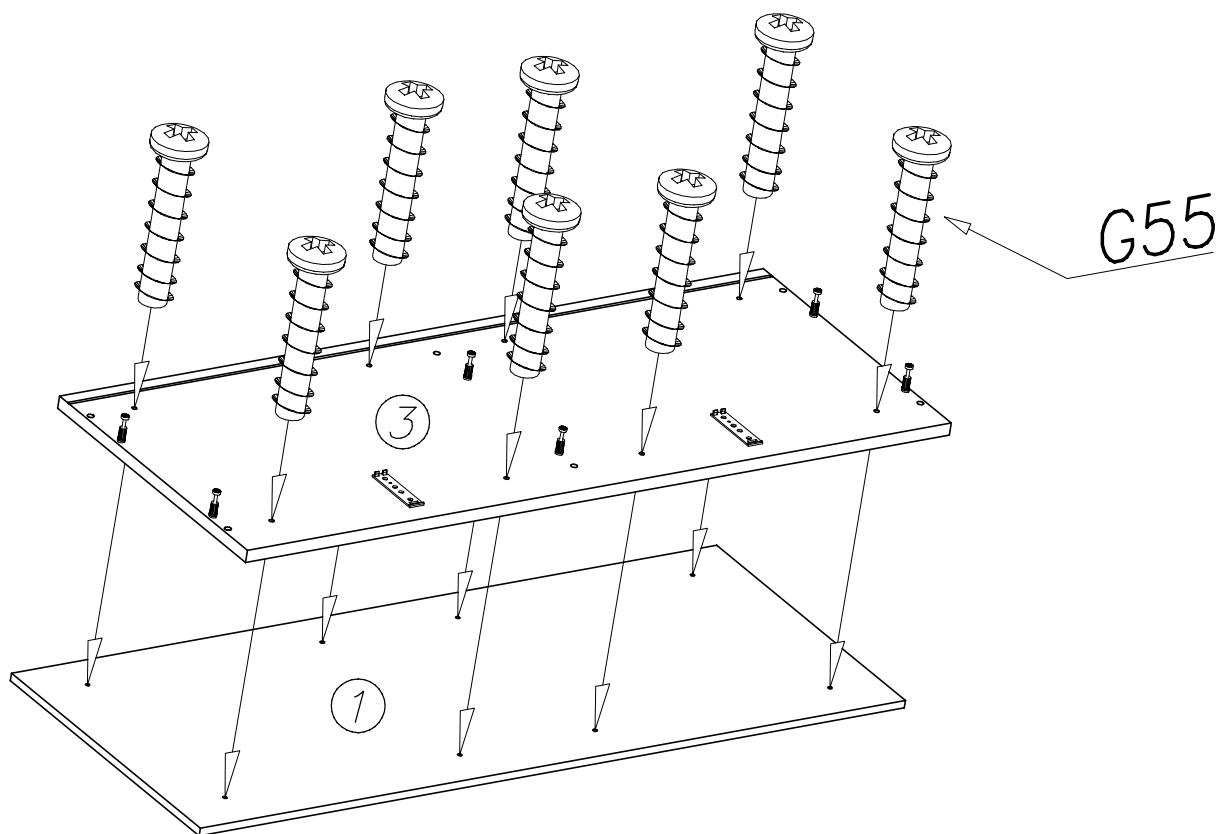




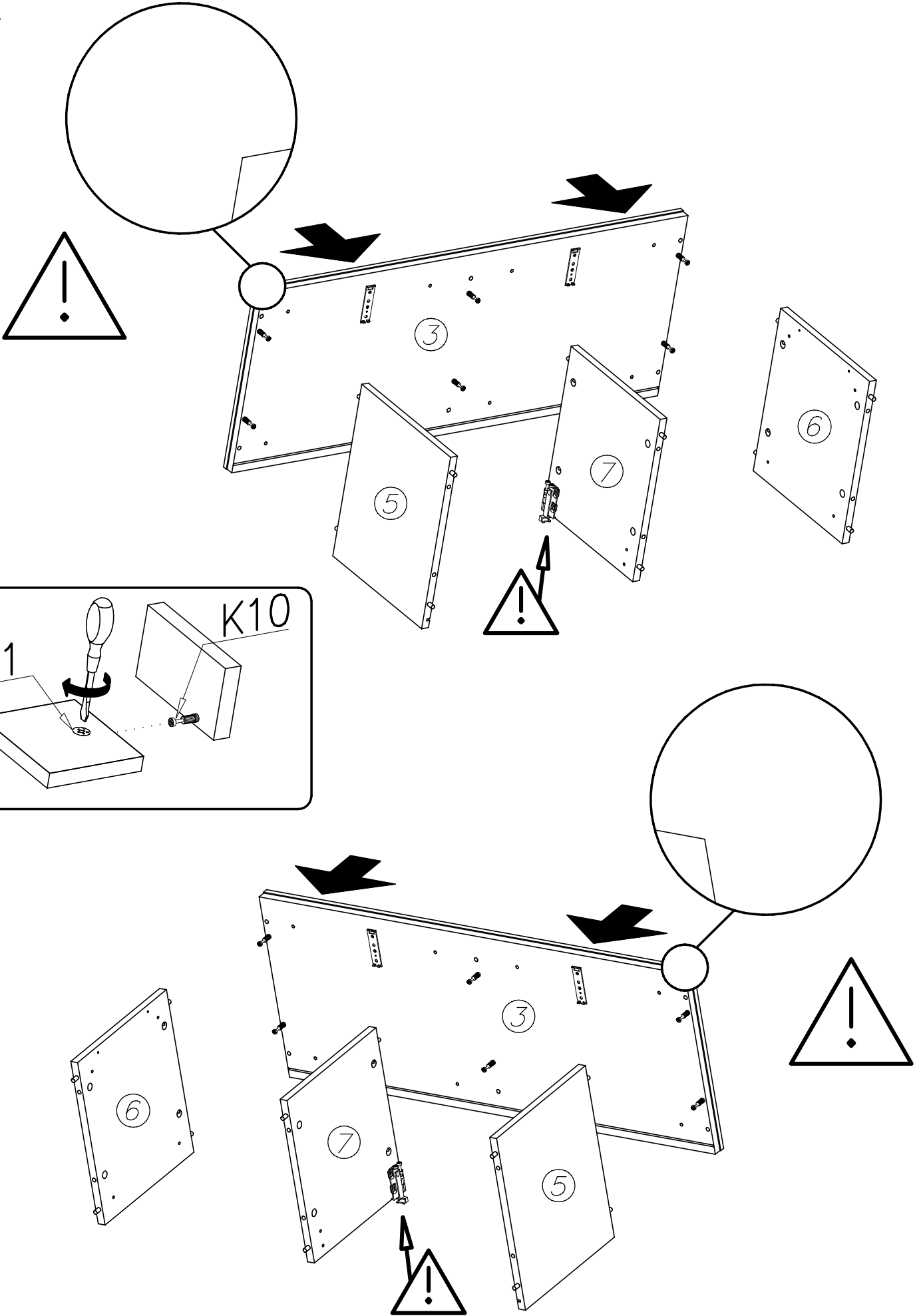
II



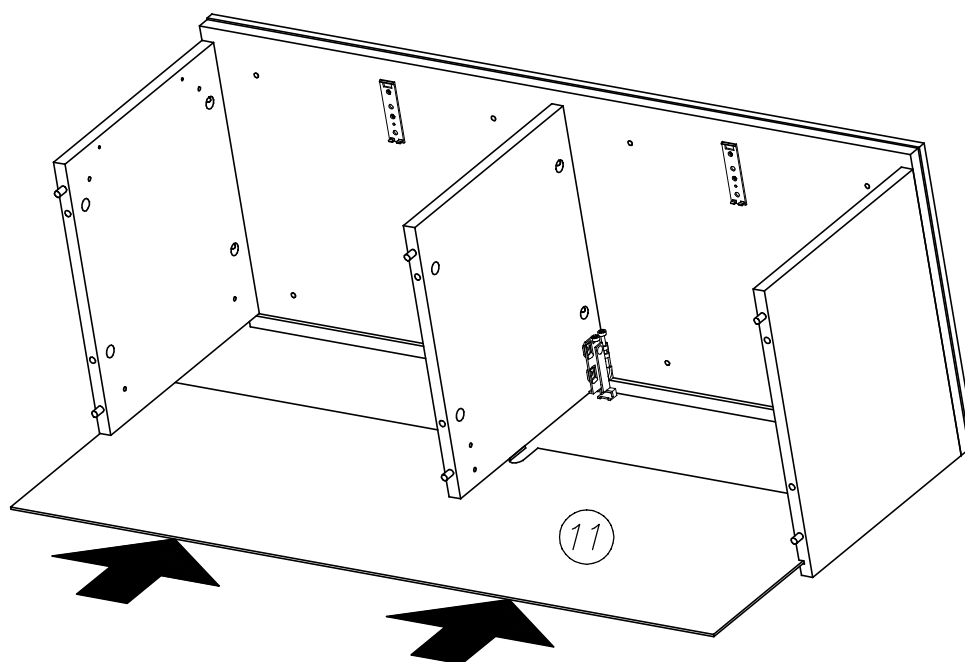
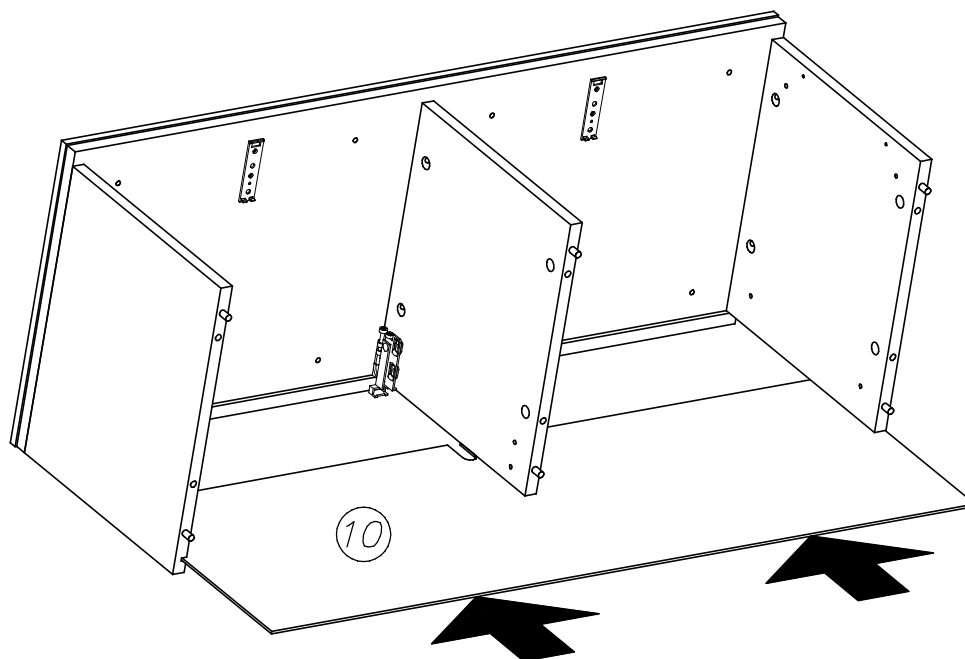
III



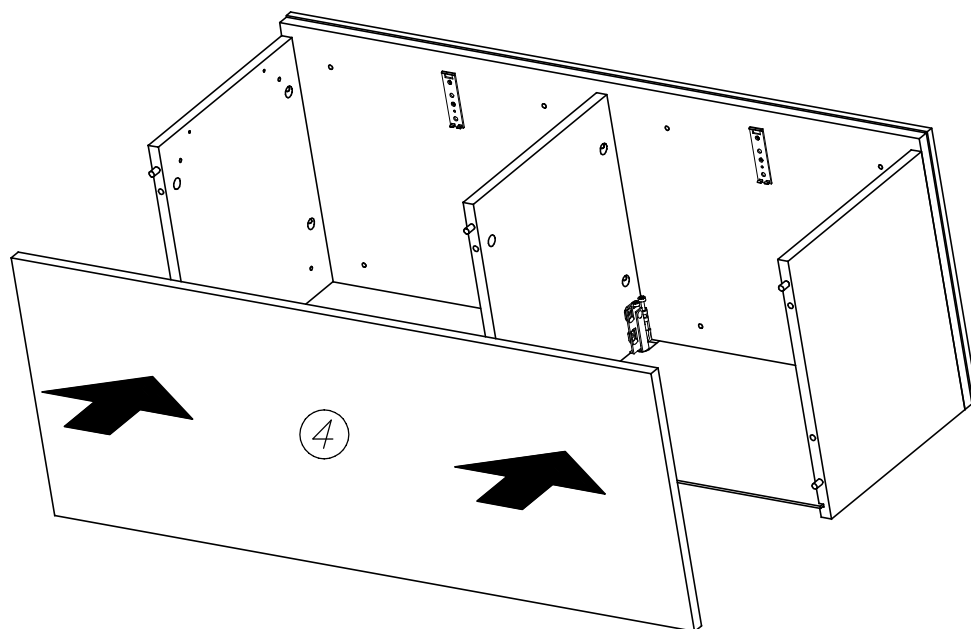
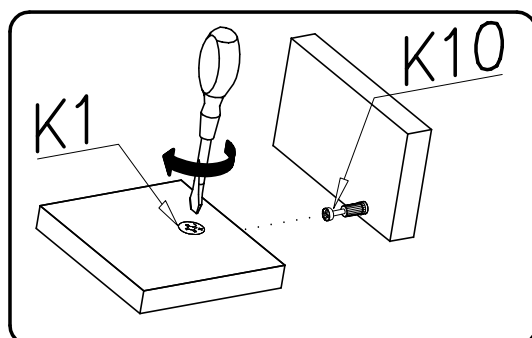
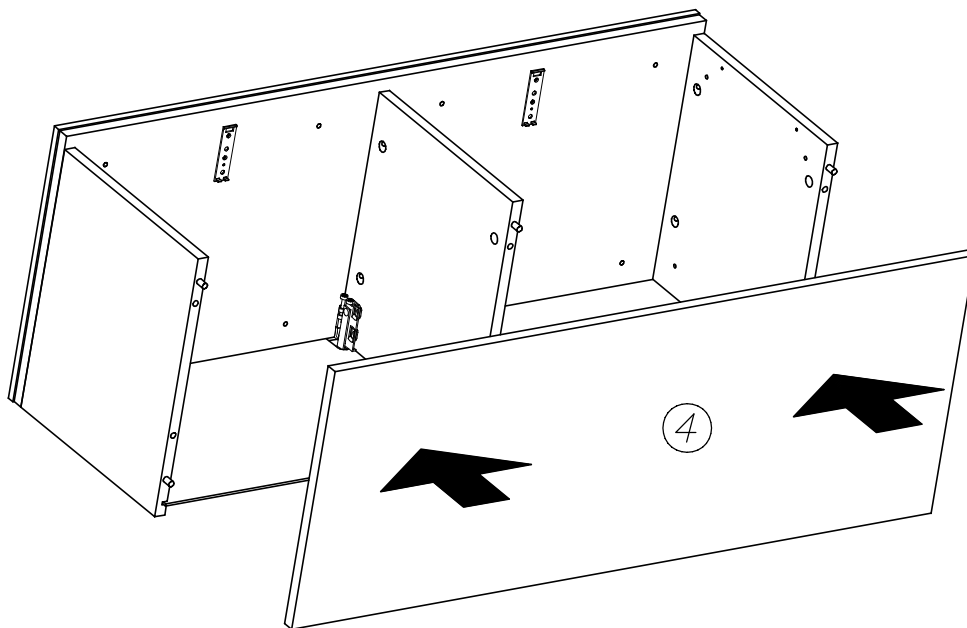
# IV



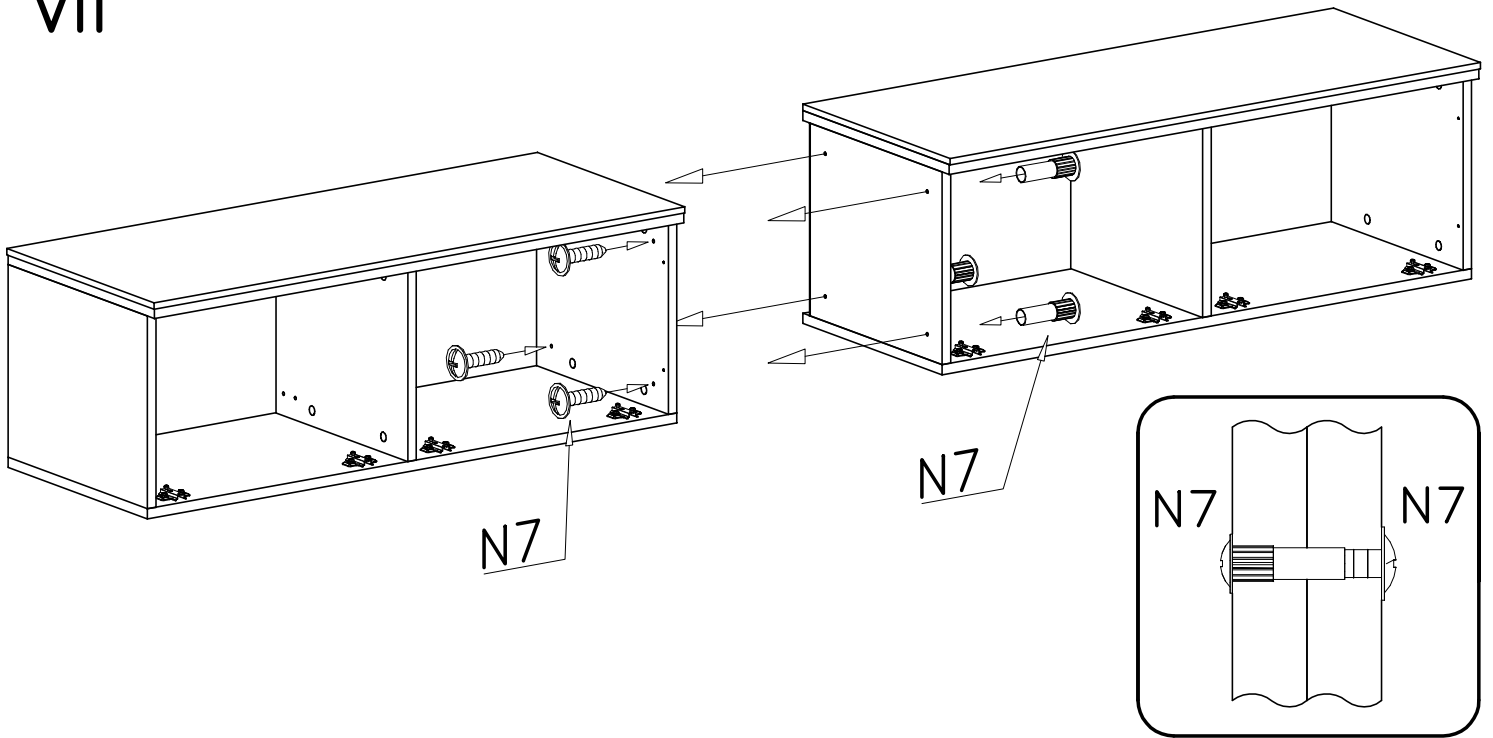
V



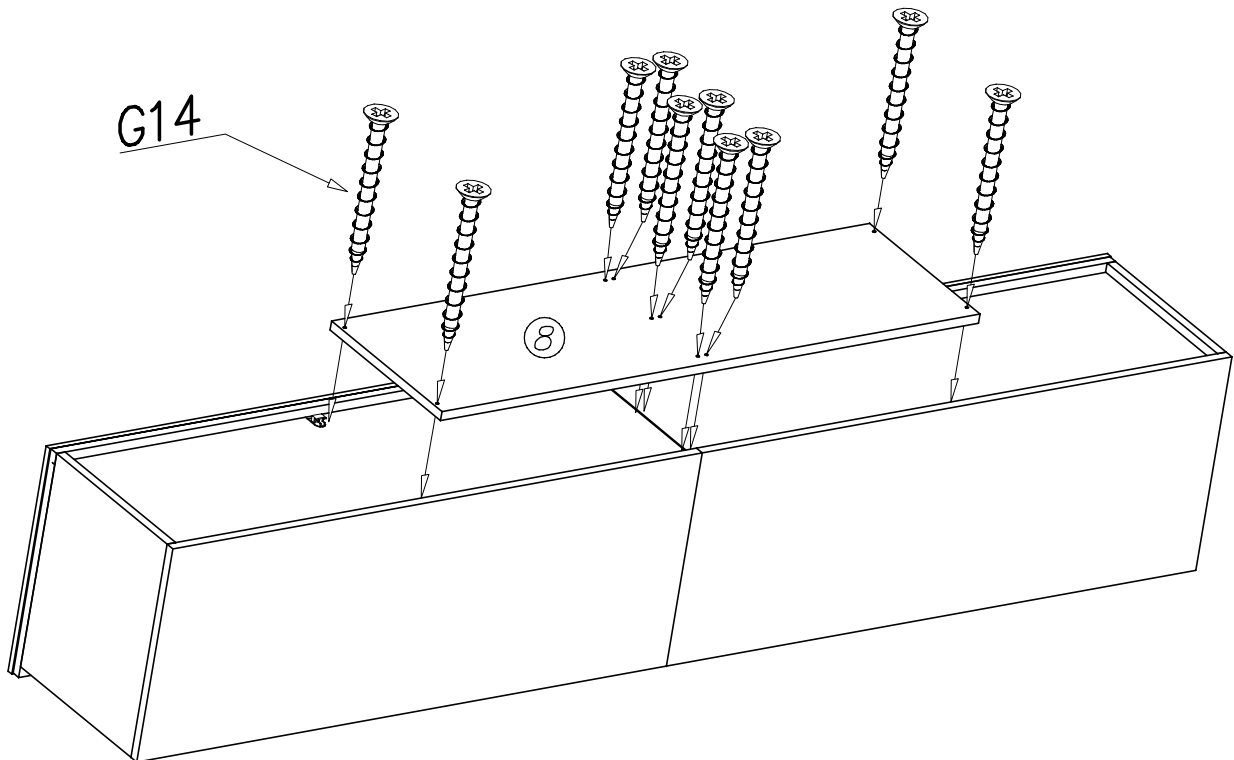
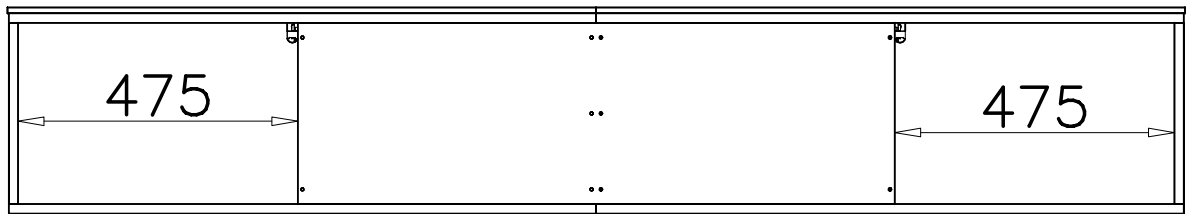
# VI



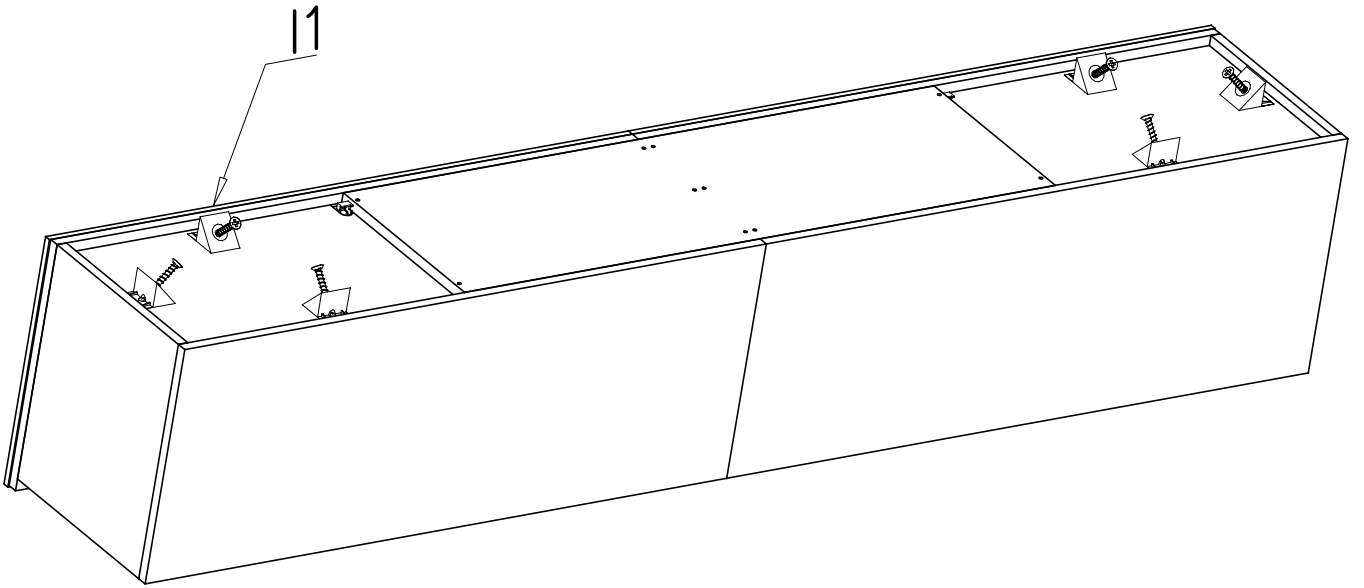
# VII



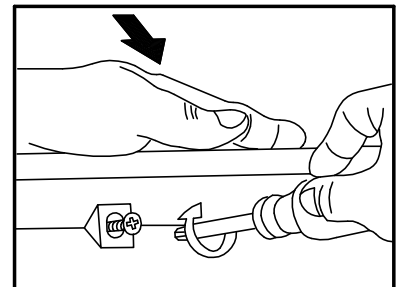
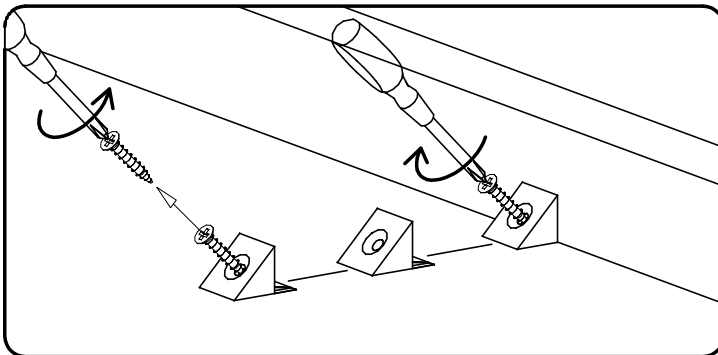
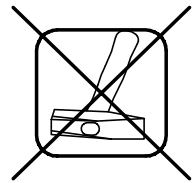
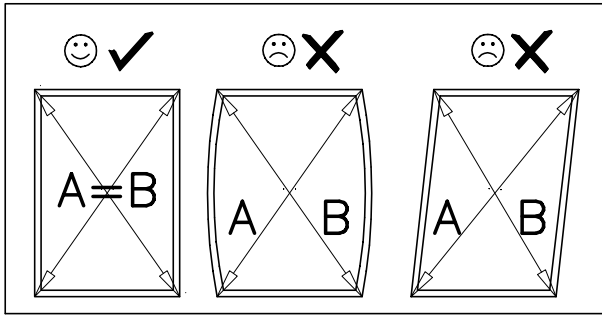
# VIII



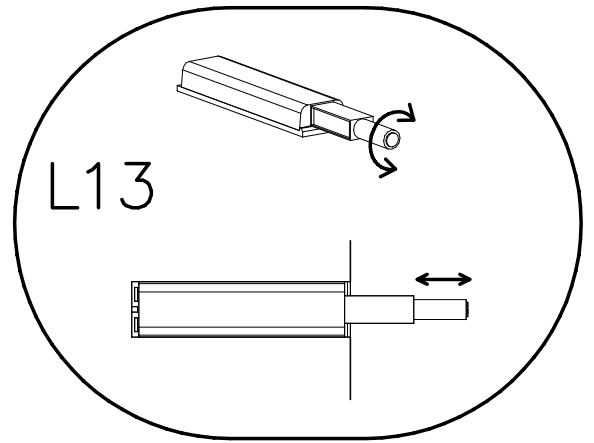
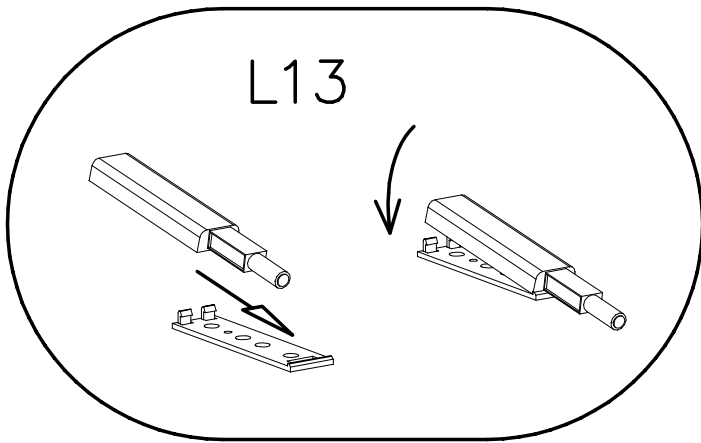
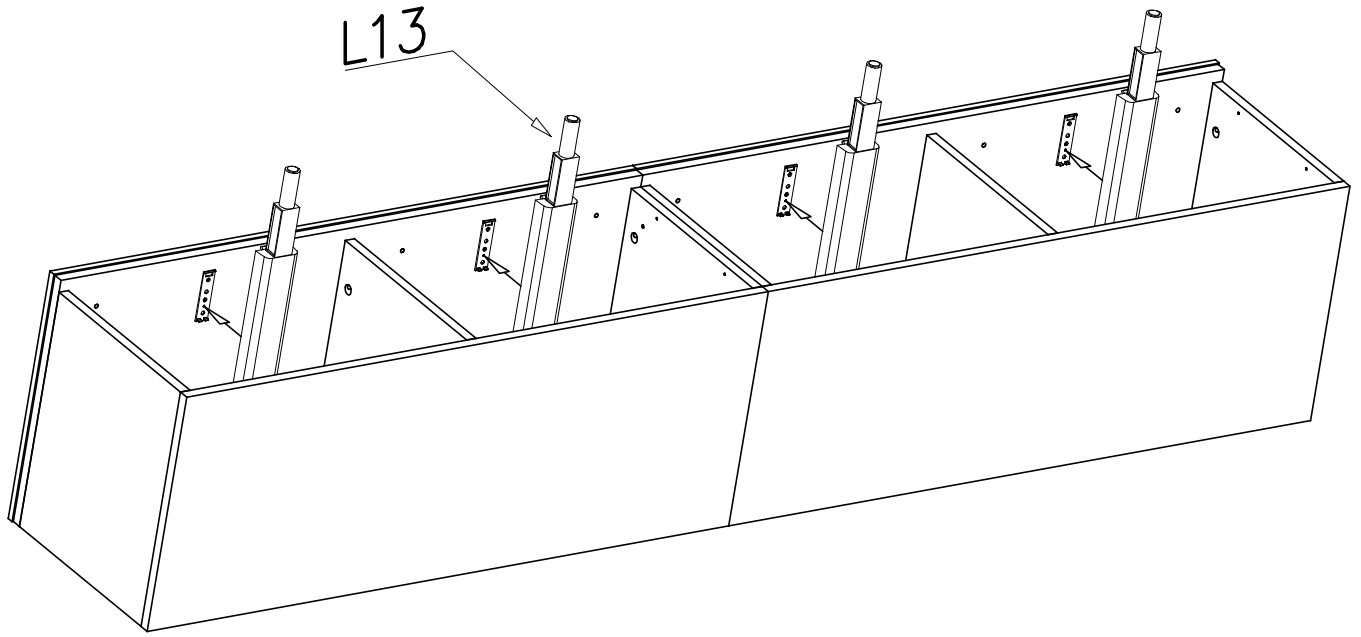
# IX



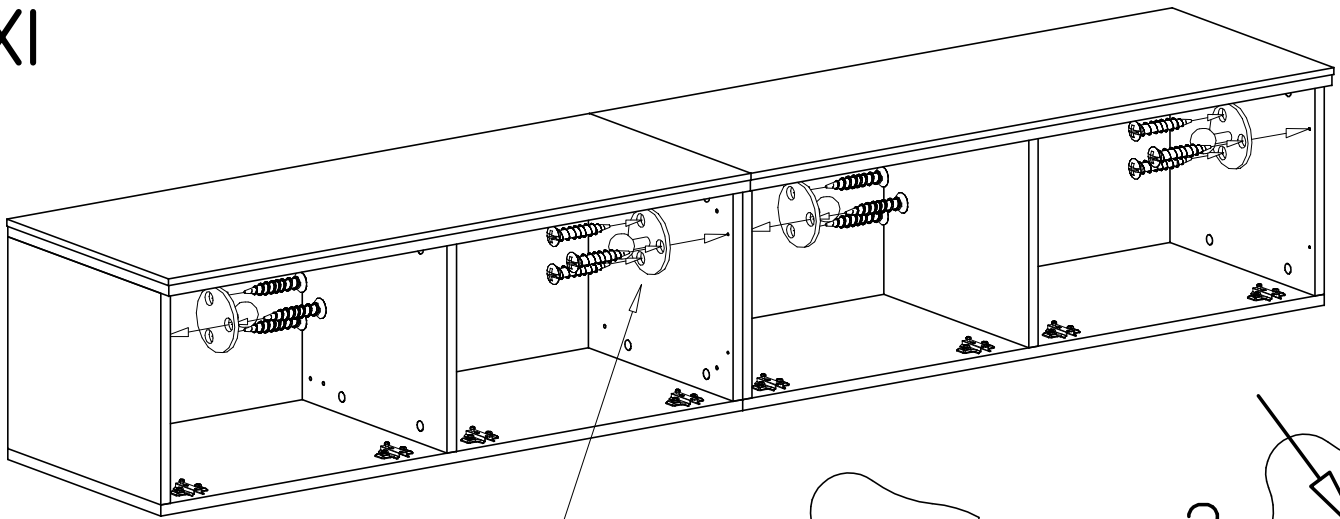
$$A = B$$



X

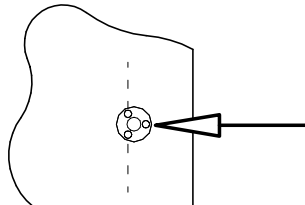


XI

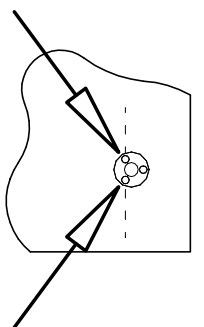


L8+G32

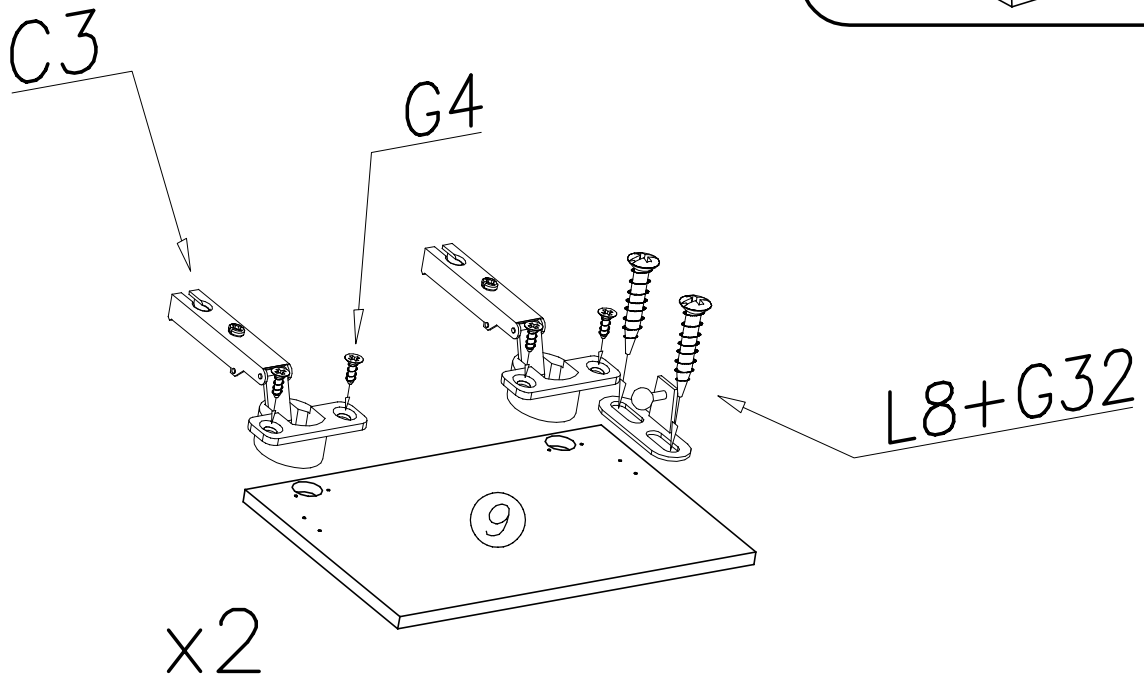
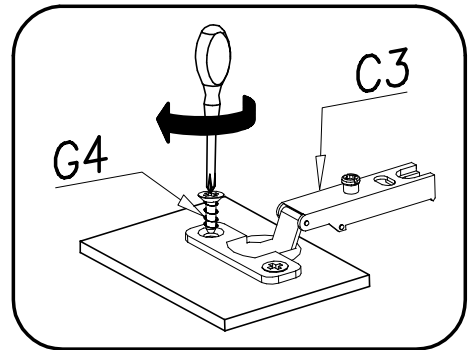
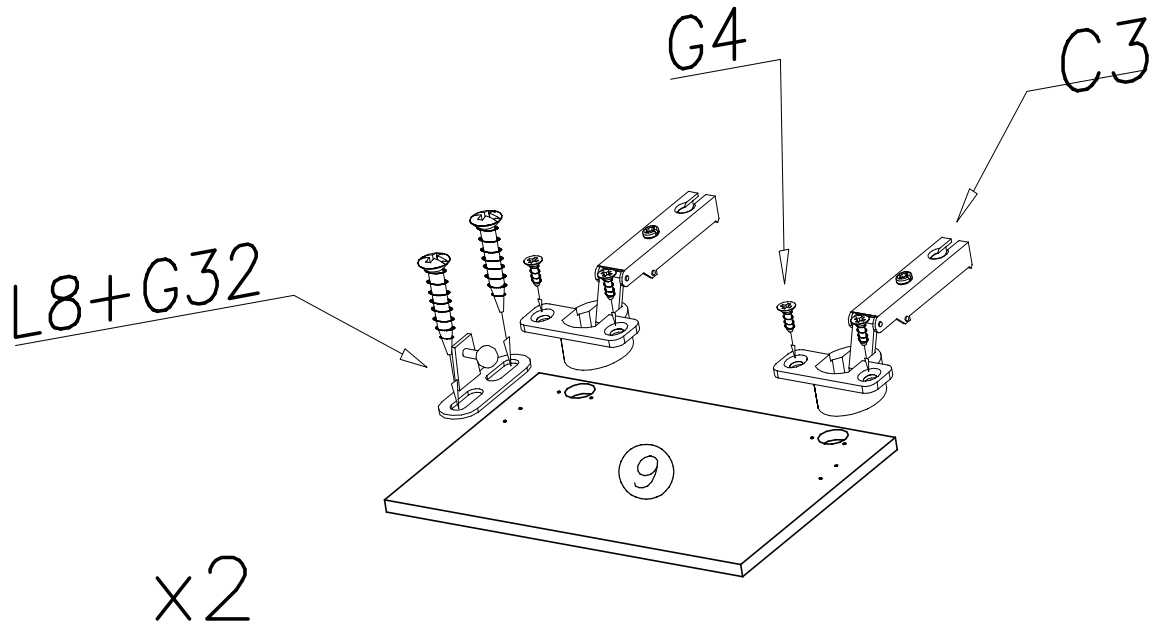
1.



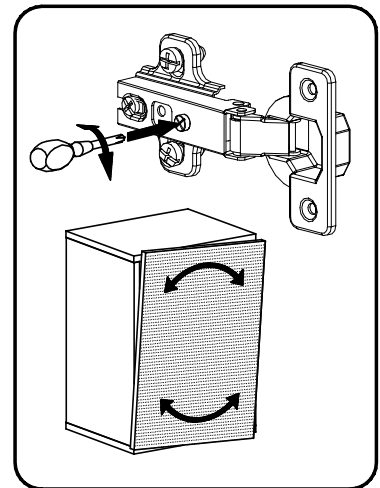
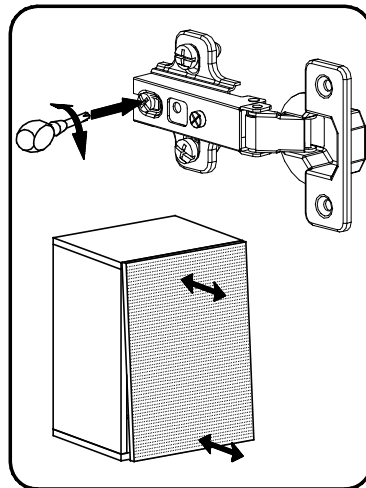
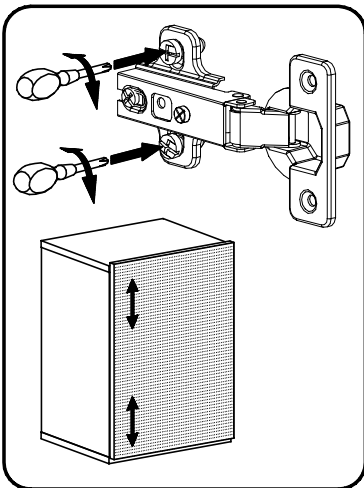
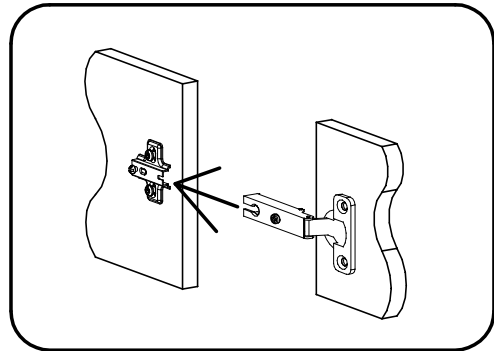
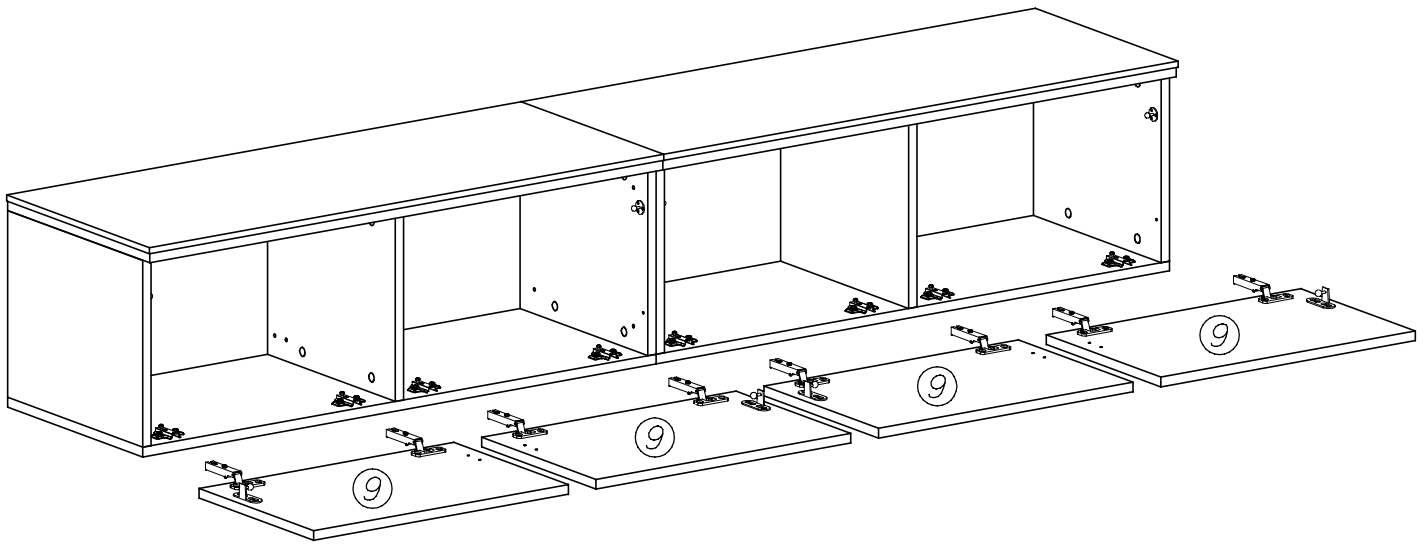
2.



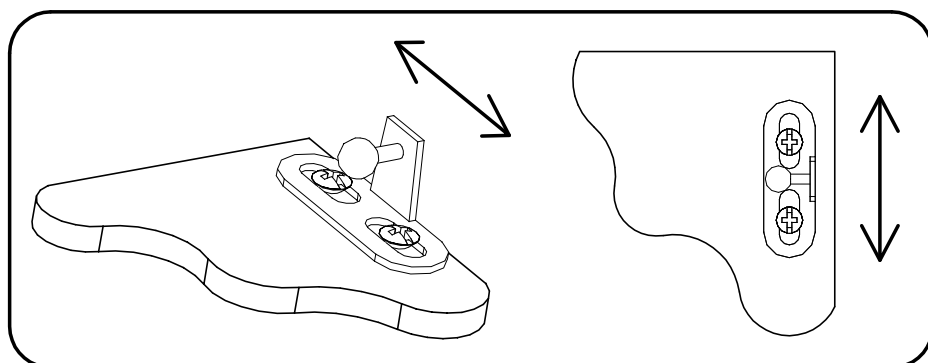
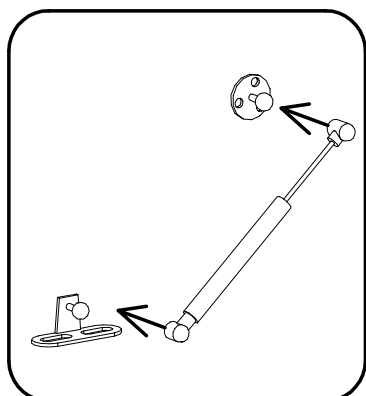
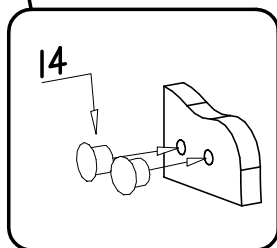
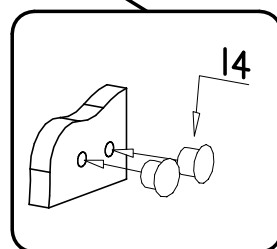
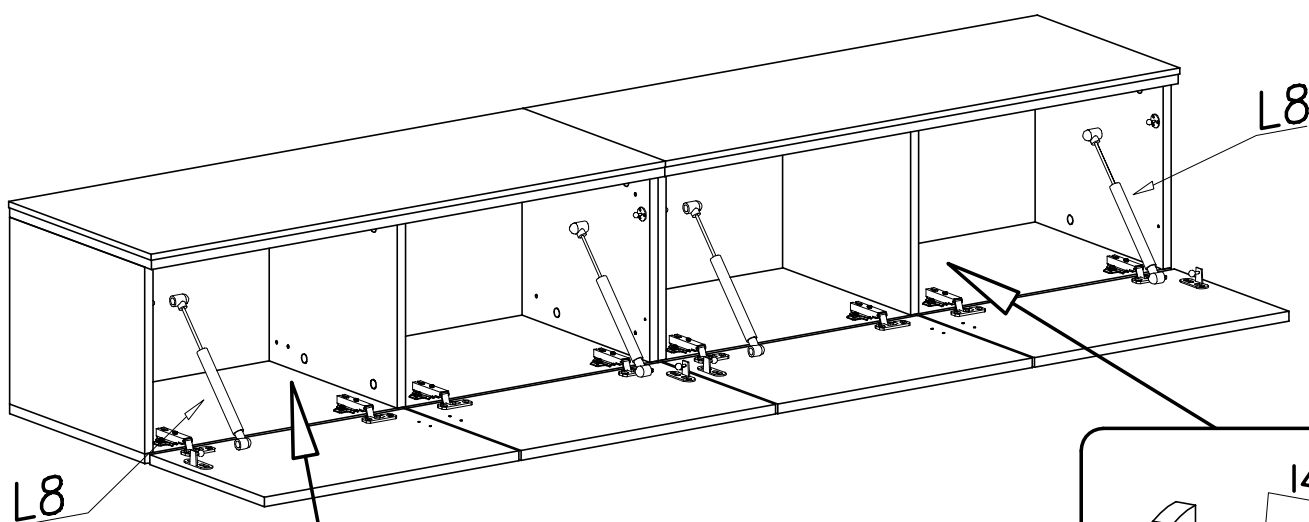
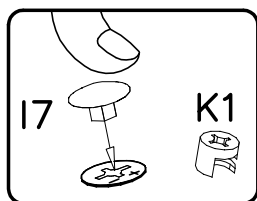
XII



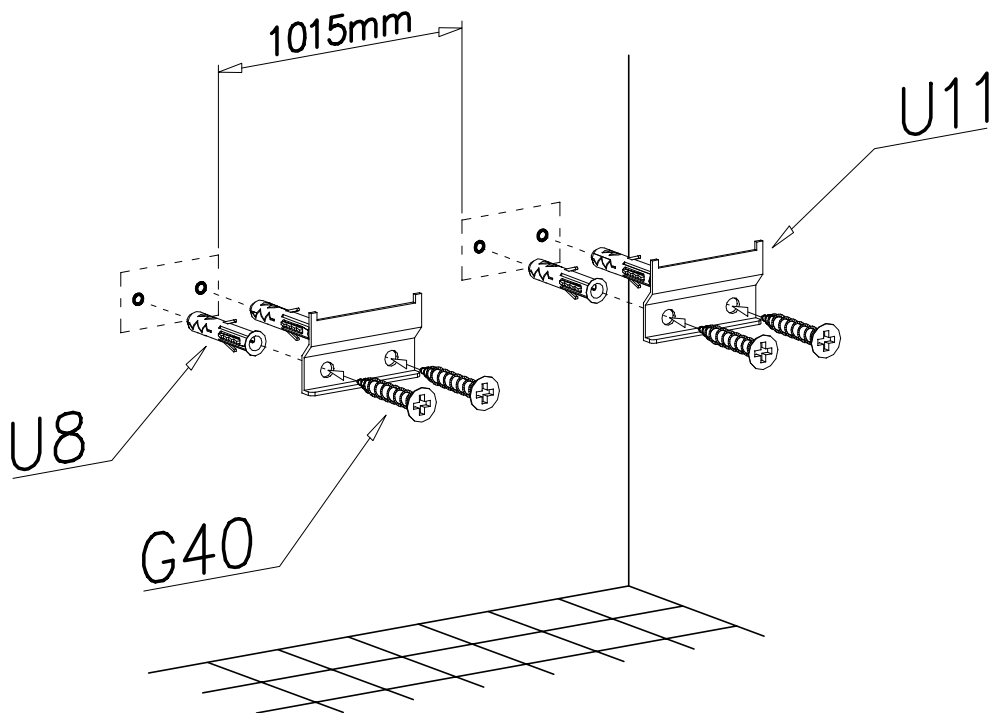
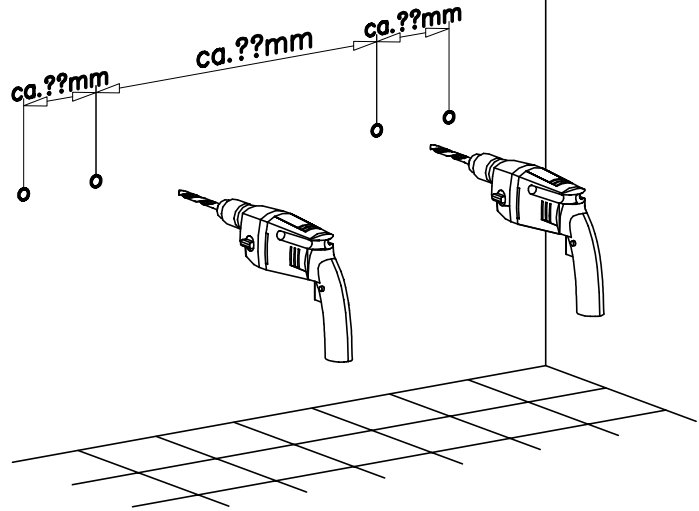
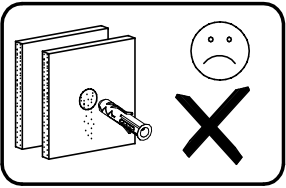
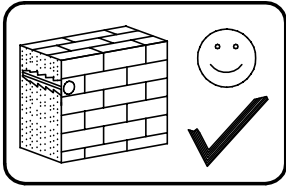
## XIII



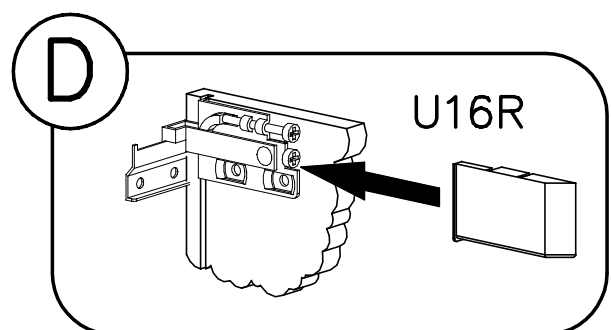
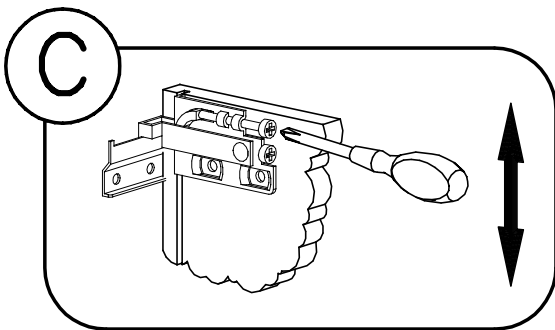
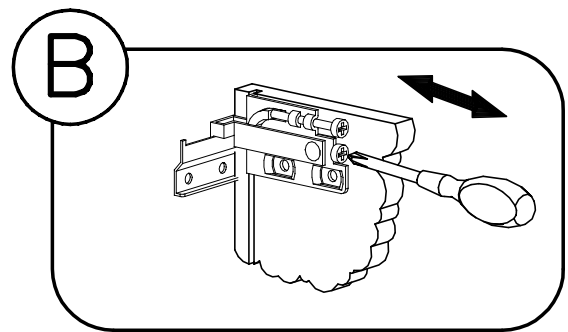
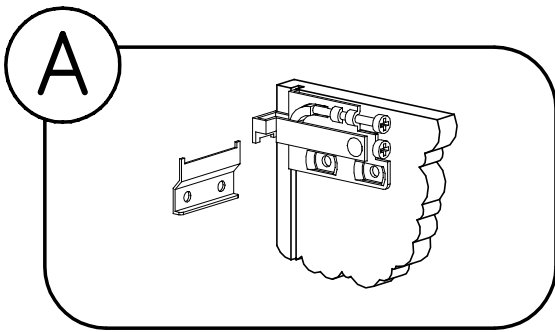
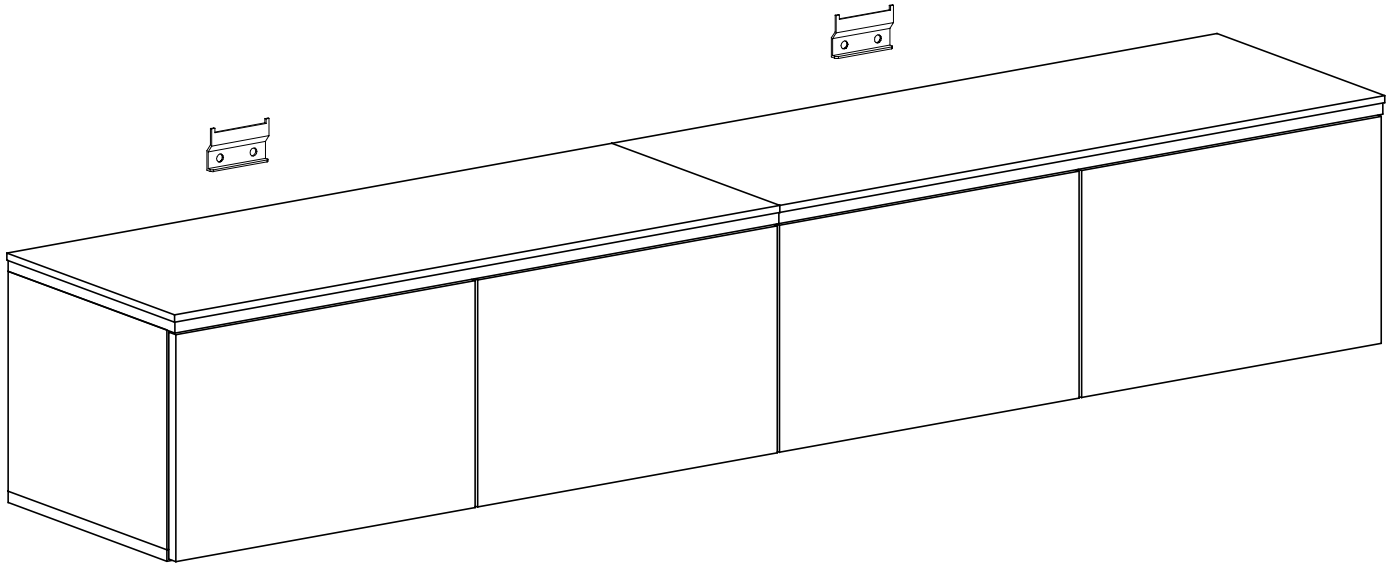
# XIV



XV

Ver. 2  
(Hanging)

XVI

Ver. 2  
(Hanging)

# XVII

Ver. 1

