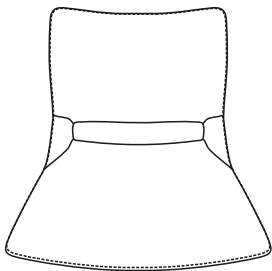
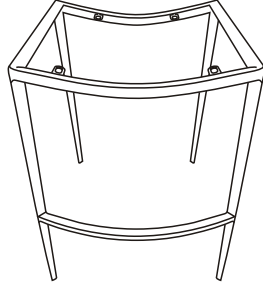





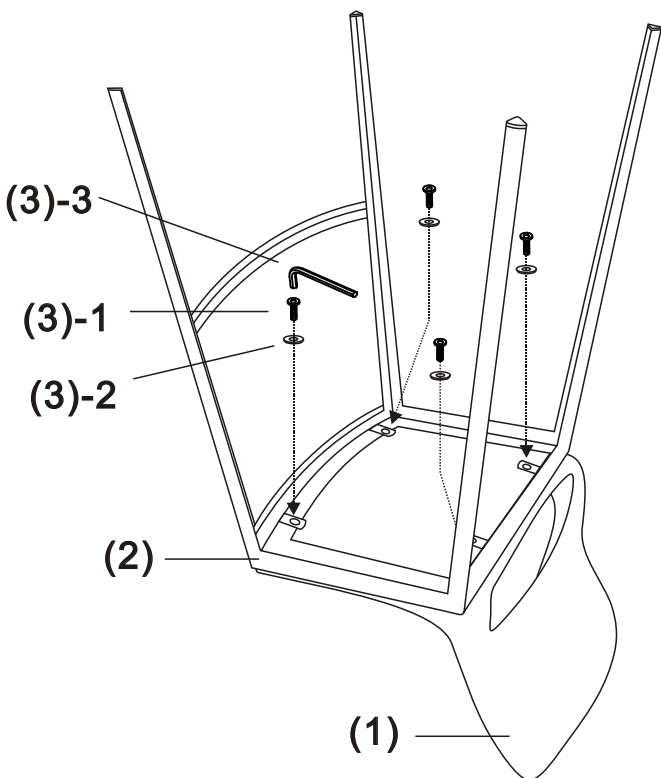
ITEM NAME /NOM D' ITEM: COUNTER CHAIR
(WHITE&BRUSHED SS)

PART LIST/Liste des pièces

(1)	(2)	(3)
 <p>X1</p>	 <p>X1</p>	<p>1.  X4 M4*20mm</p> <p>2.  X4</p> <p>3.  X4</p>

INSTRUCTION

A



B

