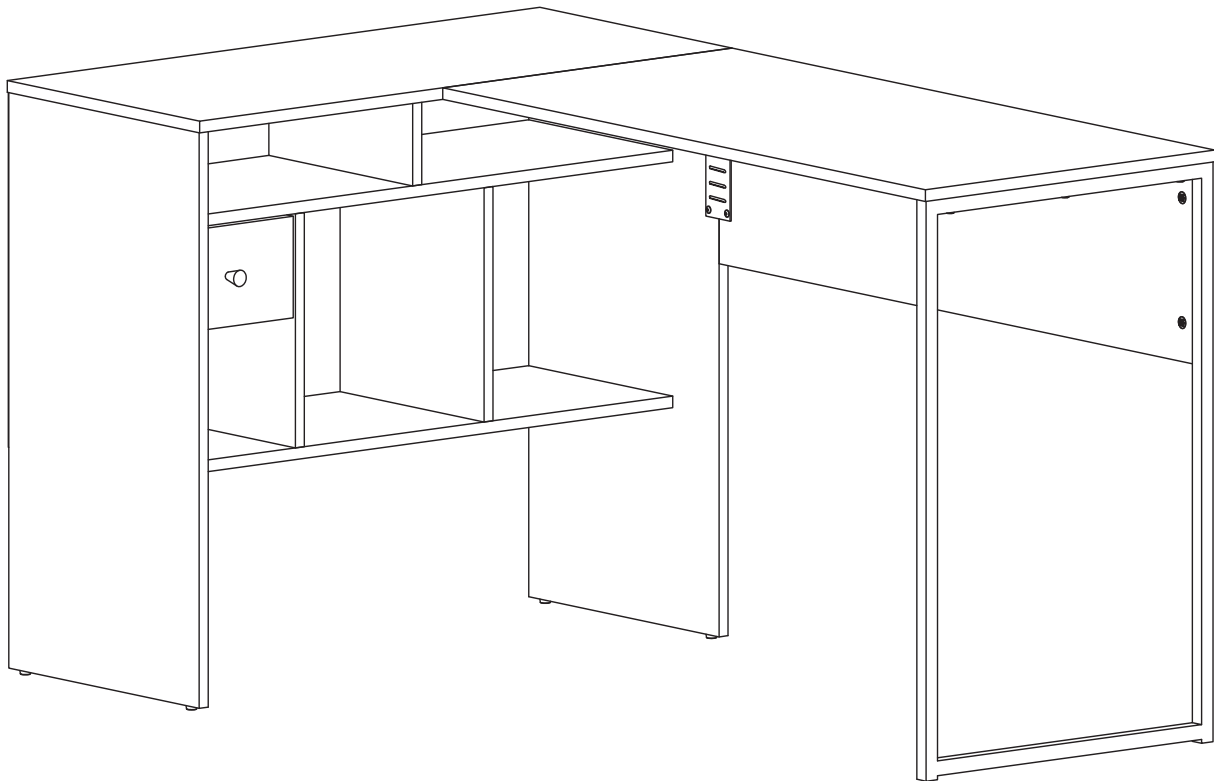
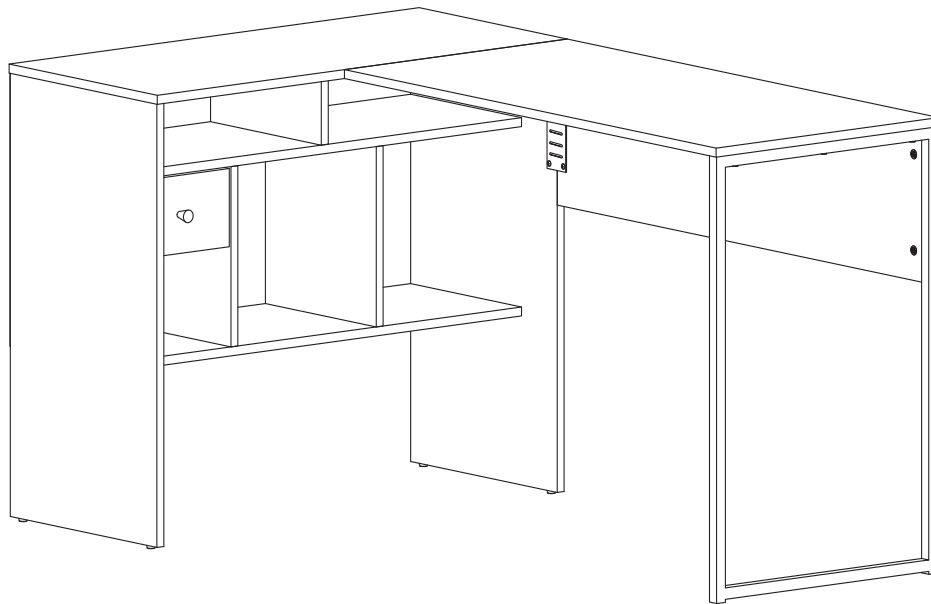


HAGNEY LANE L-SHAPED DESK



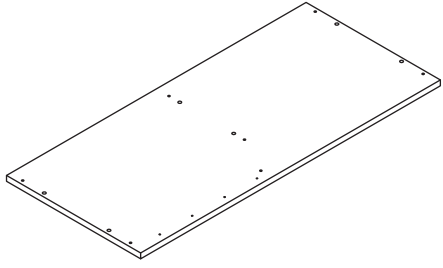
Assembly Instructions - Important:

Carefully unpack and identify each component before attempting to assemble. Refer to parts list. Please take care when assembling the unit and always set the parts on a clean, soft surface. If you require any assistance with assembly, parts or information on other products, please visit our website: www.officestar.net or call or write us.

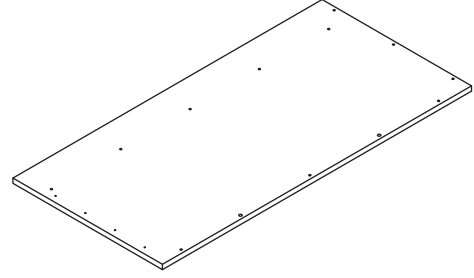


1. Do not use this product unless all screws and bolts are securely tightened.
2. Check that all screws and bolts are tight every three months or as needed.
3. Dispose of packing material properly. Do not use plastic cover as head covering. It may cause suffocation.
4. Do not use this product as a stepladder.
5. Use this product for its intended purpose only.
6. **FOR INDOOR RESIDENTIAL USE ONLY.**

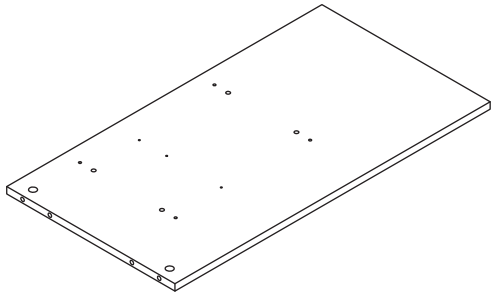
PARTS



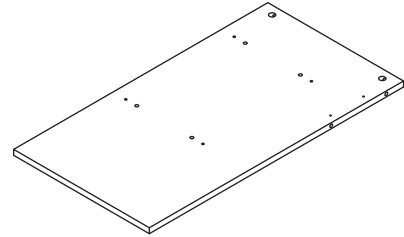
(A) Left Top Panel (1 PC)



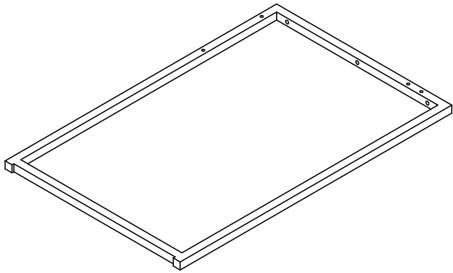
(B) Right Top Panel (1 PC)



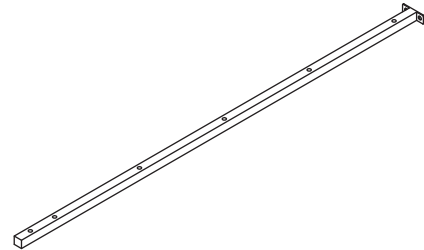
(C) Left Side Panel (1 PC)



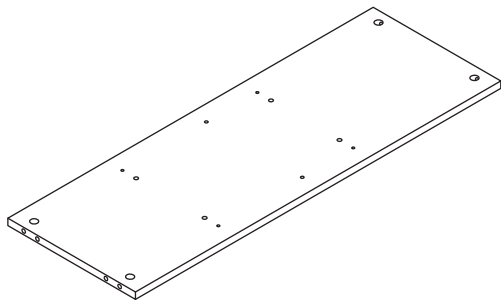
(D) Right Side Panel (1 PC)



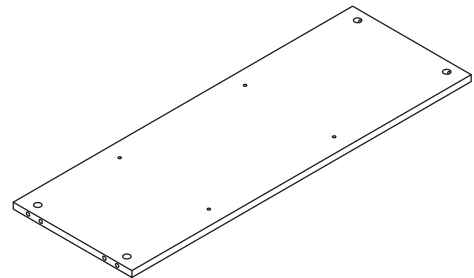
(E) Right Frame (1 PC)



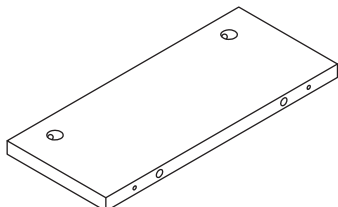
(F) Support (1 PC)



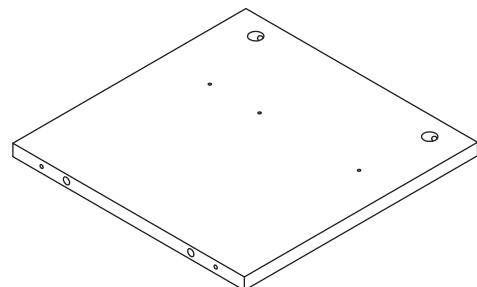
(G) Upper Shelf (1 PC)



(H) Lower Shelf (1 PC)

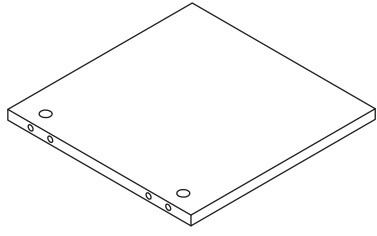


(I) Upper Divider Panel (1 PC)

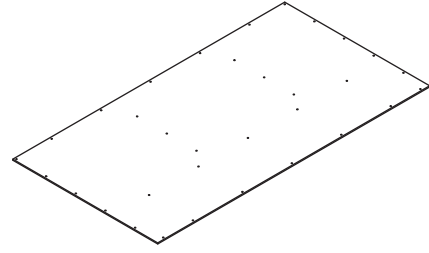


(J) Lower Left Divider Panel (1 PC)

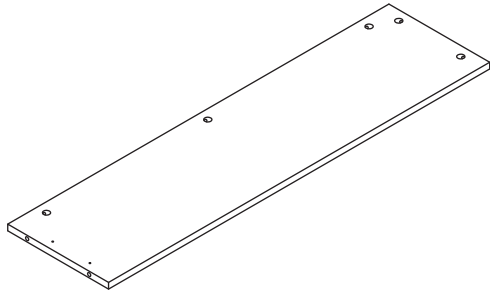
PARTS



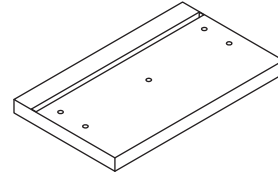
(K) Lower Right Divider Panel (1 PC)



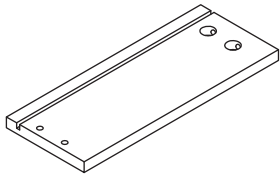
(L) Left Rear Panel (1 PC)



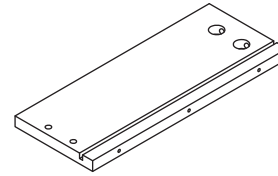
(M) Right Rear Panel (1 PC)



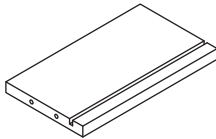
(N) Drawer Front Panel (1 PC)



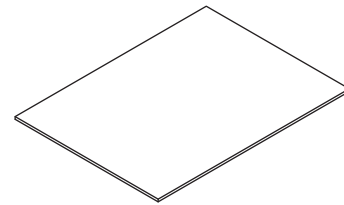
(O) Drawer Left Side Panel (1 PC)



(P) Drawer Right Side Panel (1 PC)










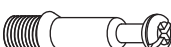










(Q) Drawer Rear Panel (1 PC)

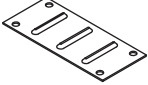

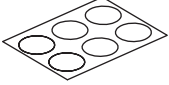


(R) Drawer Bottom Panel (1 PC)

HARDWARE LIST

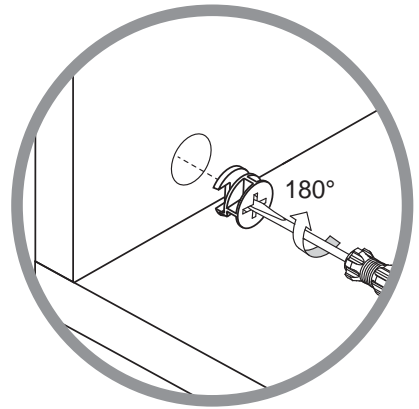
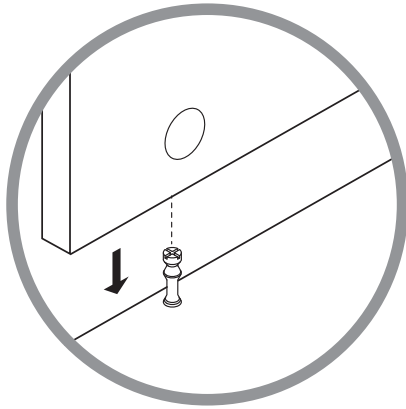
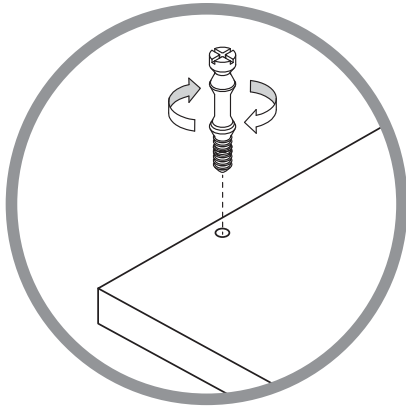
NO	DRAWING	DESCRIPTION	SIZE	QUANTITY
1		Screw	#6.5 x 1/2"	12 PCS + 2 EXTRA
2		Screw	#8 x 9/16"	12 PCS + 2 EXTRA
3		Nail Screw	N/A	33 PCS + 2 EXTRA
4		Screw	Ø6 x 30mm	9 PCS + 1 EXTRA
5		Screw	#10 x 1-1/2"	10 PCS + 1 EXTRA
6		Bolt	M5 x 12mm	2 PCS
7		Bolt	M4 x 22mm	1 PC
8		Cam Screw	N/A	4 PCS + 1 EXTRA
9		Cam Screw	N/A	21 PCS + 2 EXTRA
10		Cam Screw	N/A	2 PCS
11		Small Cam Nut	N/A	4 PCS + 1 EXTRA
12		Large Cam Nut	N/A	23 PCS + 2 EXTRA
13		Wooden Dowel	N/A	26 PCS + 2 EXTRA
14		Wooden Dowel	Ø8 x 40mm	2 PCS
15		Left Drawer Rail	N/A	1 PC
16		Right Drawer Rail	N/A	1 PC
17		Left Drawer Slide	N/A	1 PC
18		Right Drawer Slide	N/A	1 PC

HARDWARE LIST

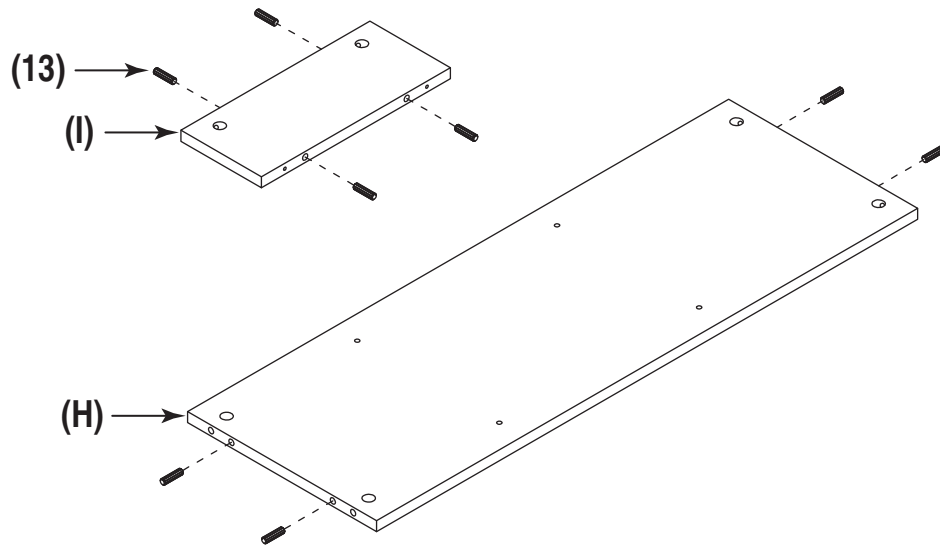
NO	DRAWING	DESCRIPTION	SIZE	QUANTITY
19		Metal Plate	N/A	3 PCS
20		Knob	N/A	1 PC
21		Sticker	N/A	5 PCS

Phillips screwdriver and hammer also needed for assembly (not provided).

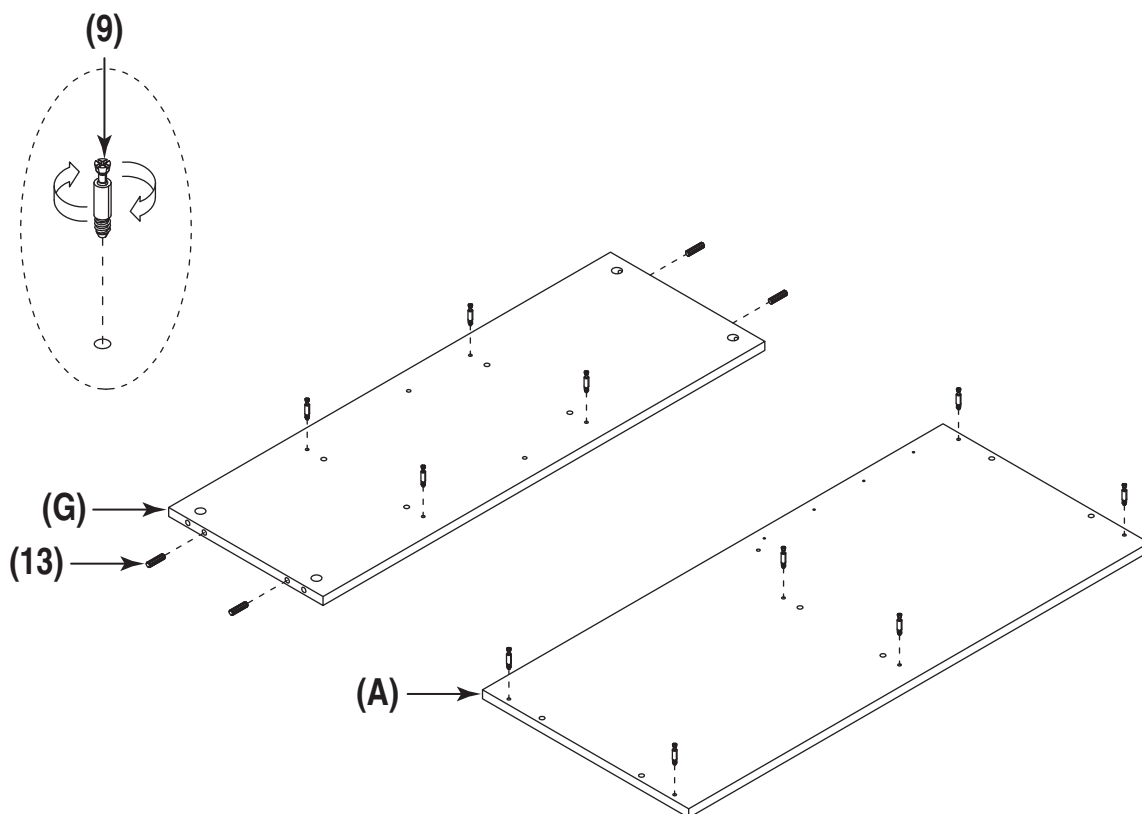
CAM LOCK INSTRUCTIONS



STEP 1

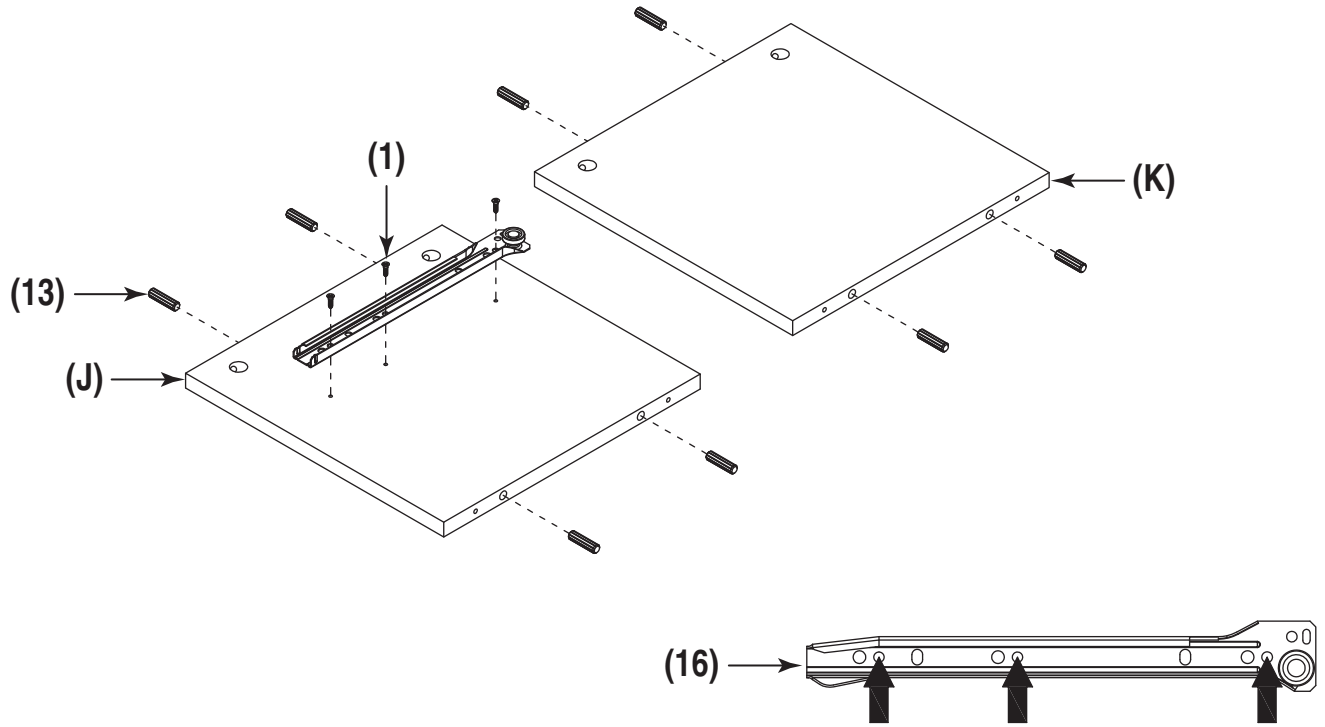


STEP 2



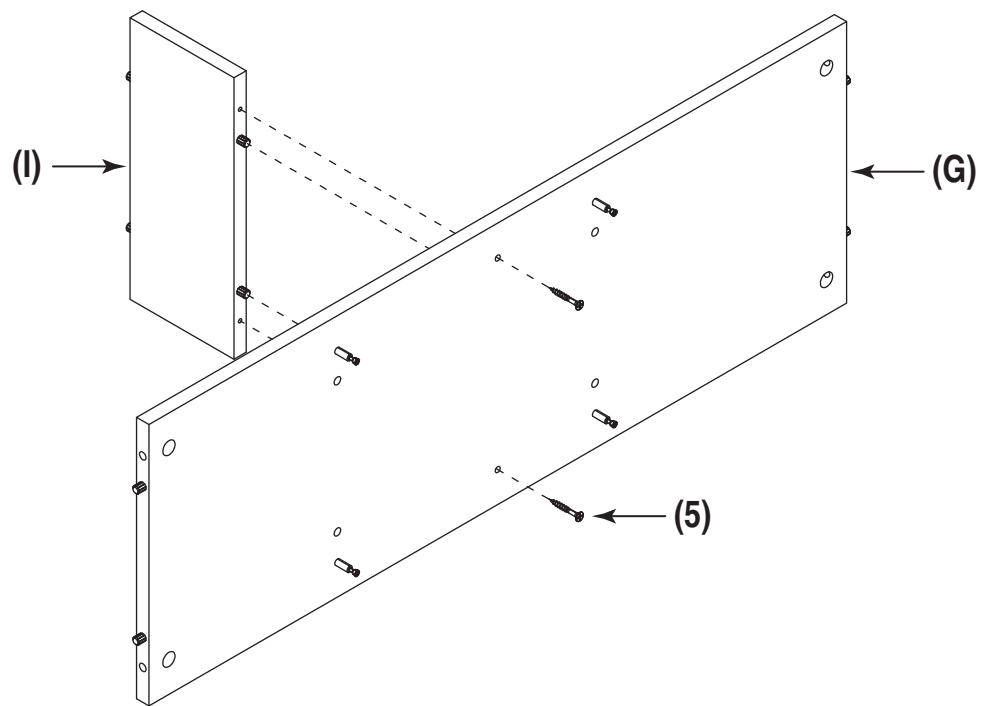
FULLY TIGHTEN ALL CAM SCREWS (9) USING PHILLIPS SCREWDRIVER (NOT PROVIDED).

STEP 3



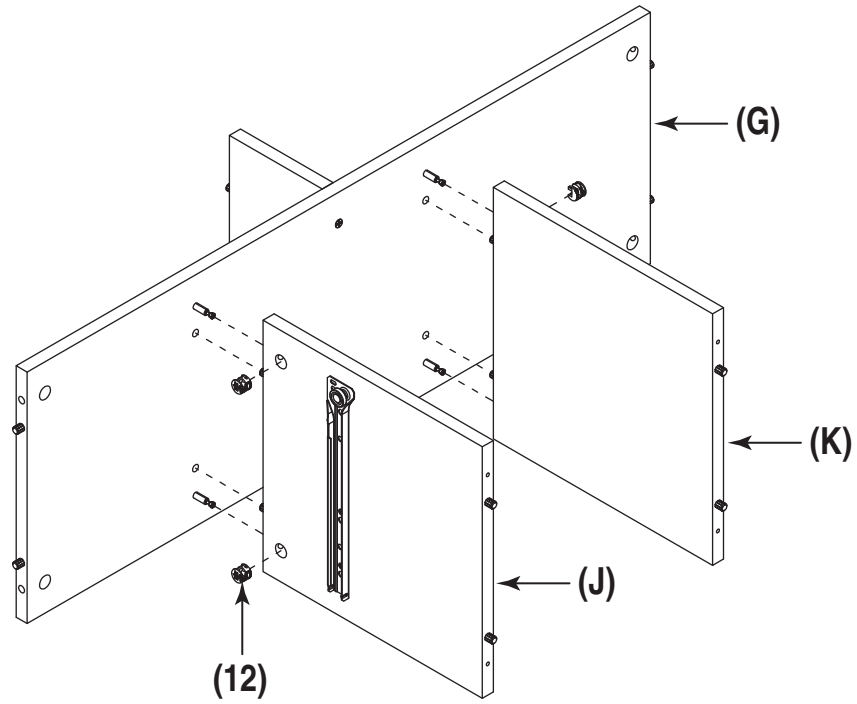
FULLY TIGHTEN SCREWS (1) USING PHILLIPS SCREWDRIVER (NOT PROVIDED).

STEP 4



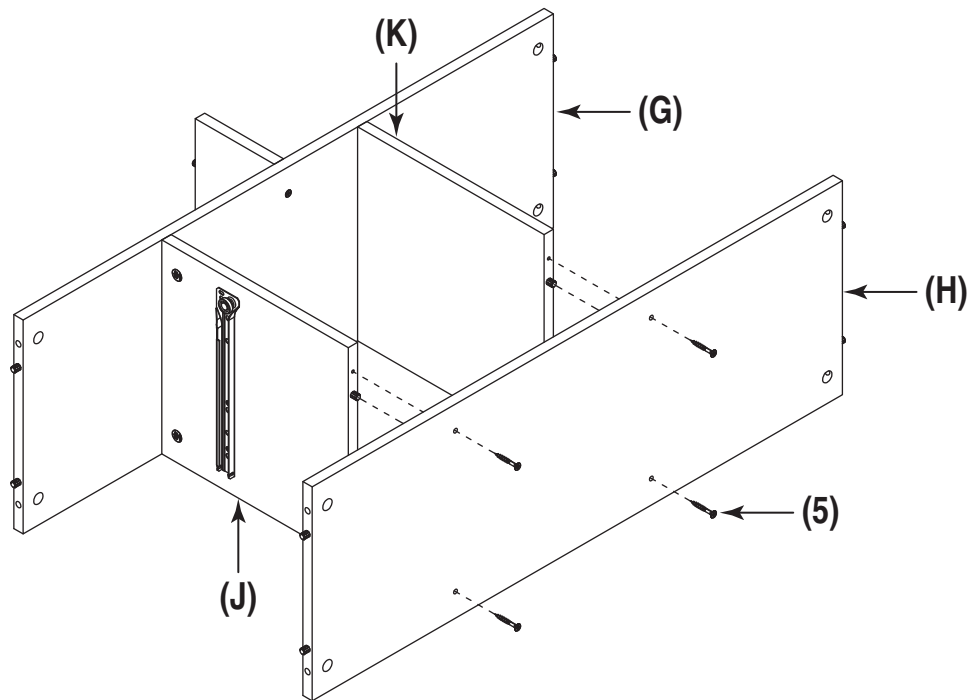
FULLY TIGHTEN SCREWS (5) USING PHILLIPS SCREWDRIVER (NOT PROVIDED).

STEP 5



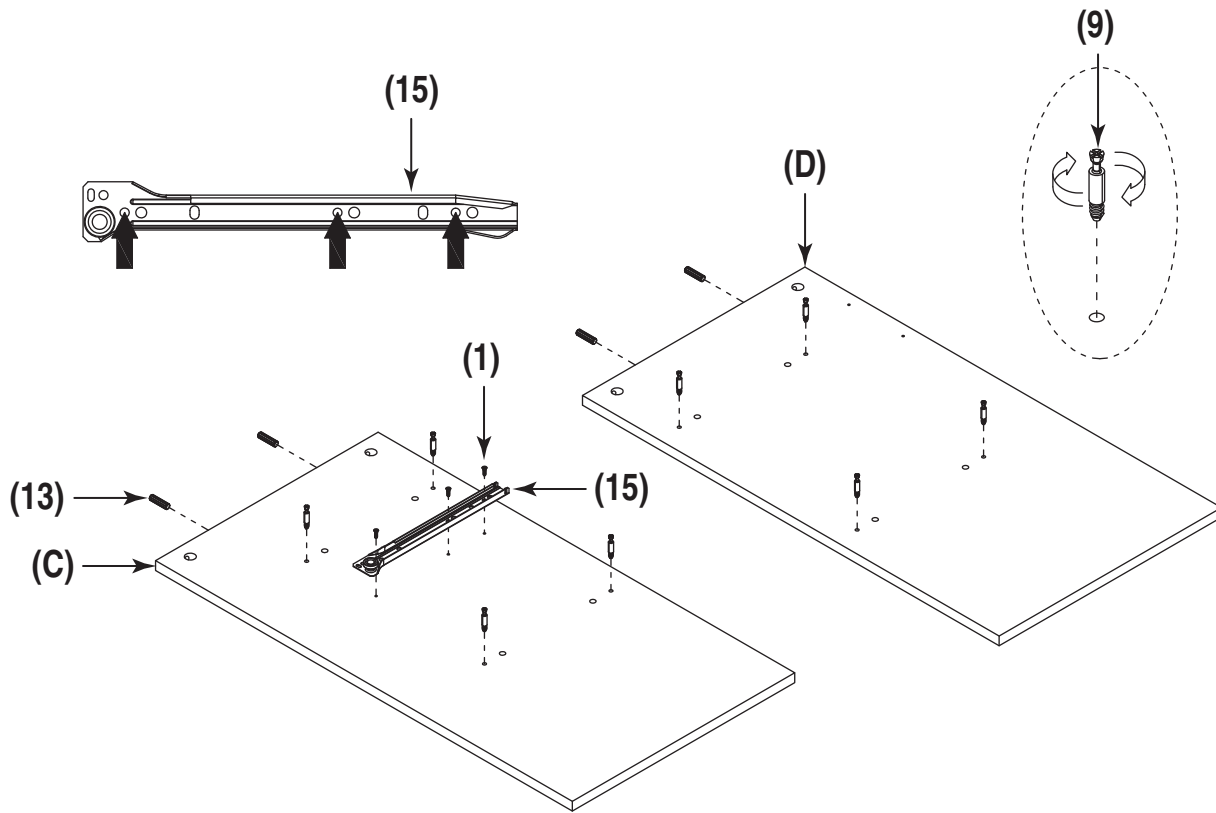
FULLY TIGHTEN CAM NUTS (12) USING PHILLIPS SCREWDRIVER (NOT PROVIDED).

STEP 6



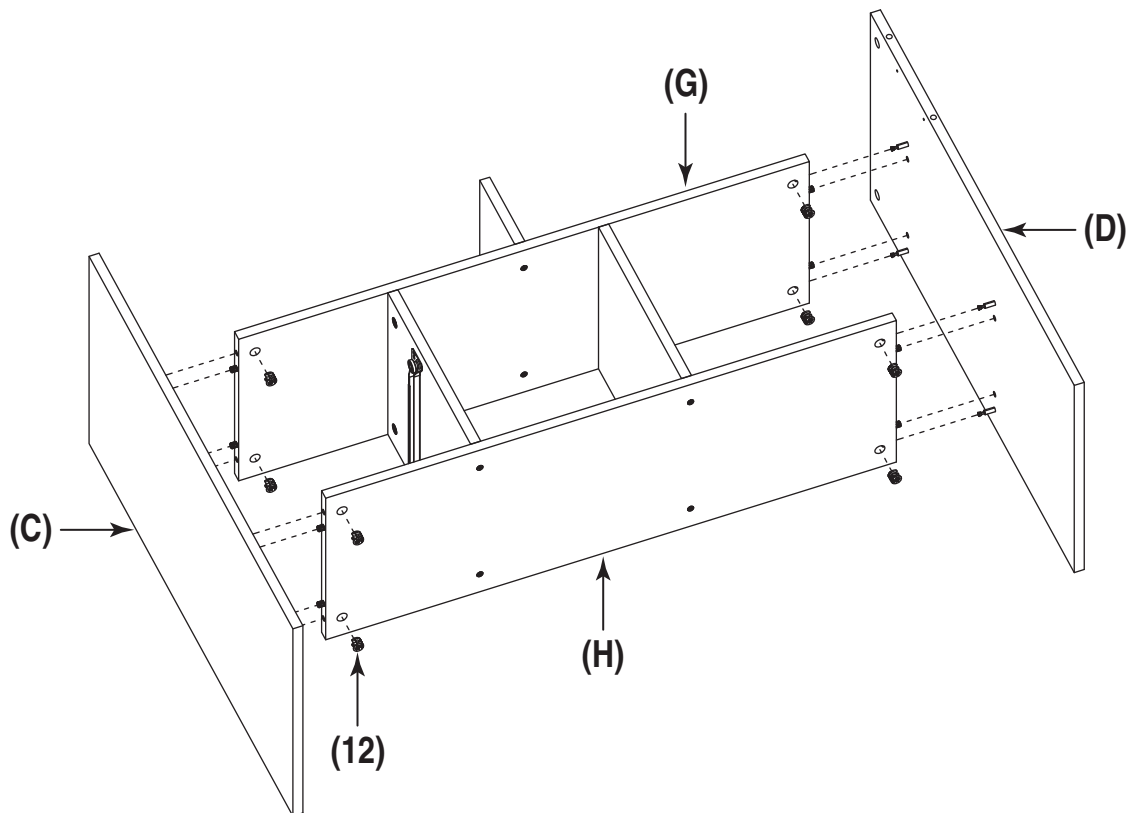
FULLY TIGHTEN SCREWS (5) USING PHILLIPS SCREWDRIVER (NOT PROVIDED).

STEP 7



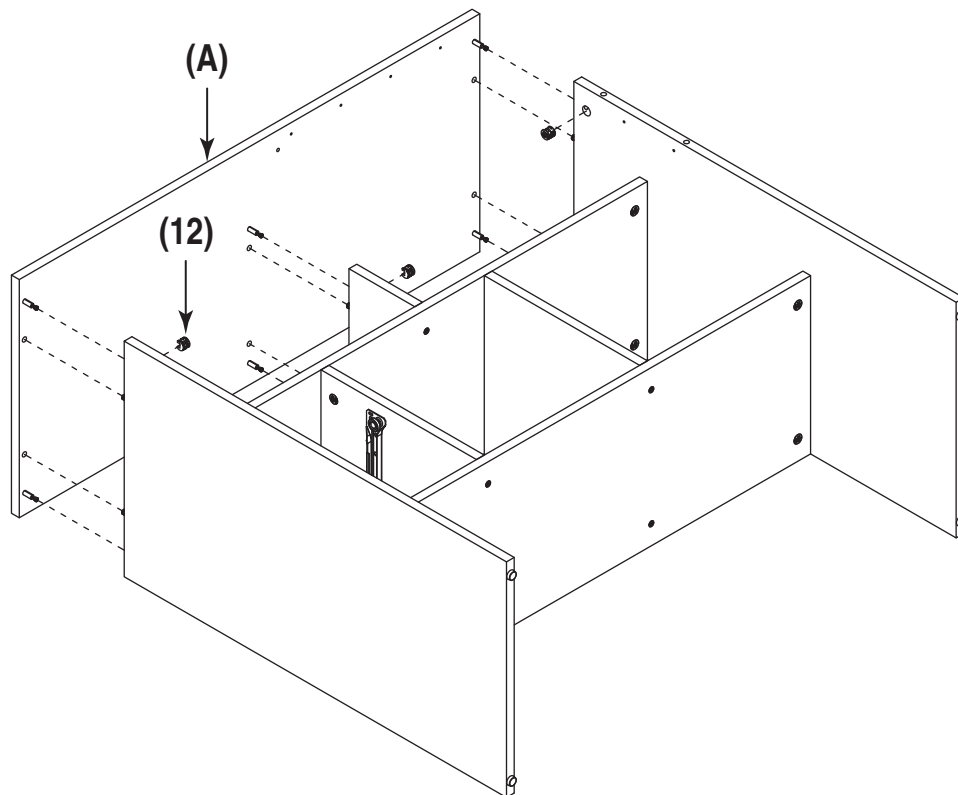
FULLY TIGHTEN SCREWS (1) AND ALL CAM SCREWS (9) USING PHILLIPS SCREWDRIVER (NOT PROVIDED).

STEP 8



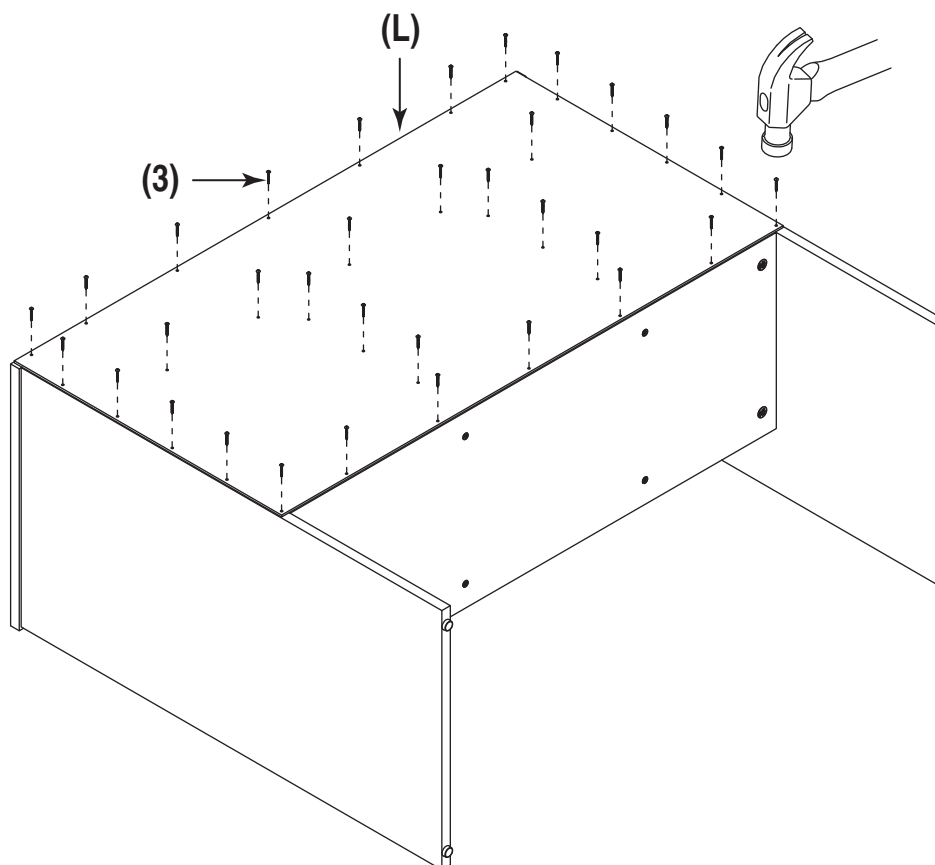
FULLY TIGHTEN ALL CAM NUTS (12) USING PHILLIPS SCREWDRIVER (NOT PROVIDED).

STEP 9



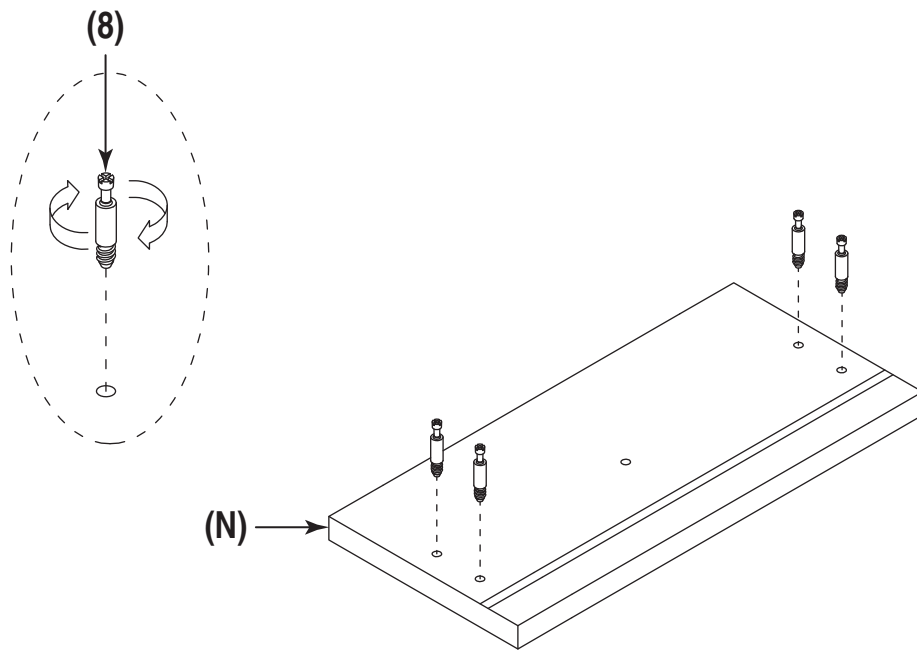
FULLY TIGHTEN ALL CAM NUTS (12) USING PHILLIPS SCREWDRIVER (NOT PROVIDED).

STEP 10



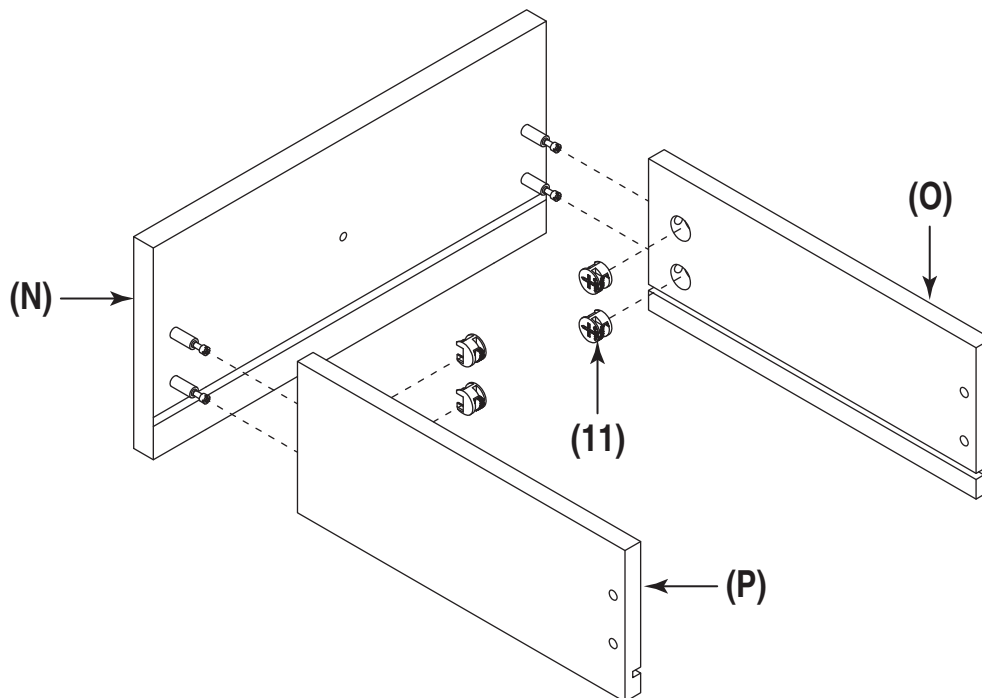
FULLY TIGHTEN ALL NAIL SCREWS (3) USING HAMMER (NOT PROVIDED).

STEP 11



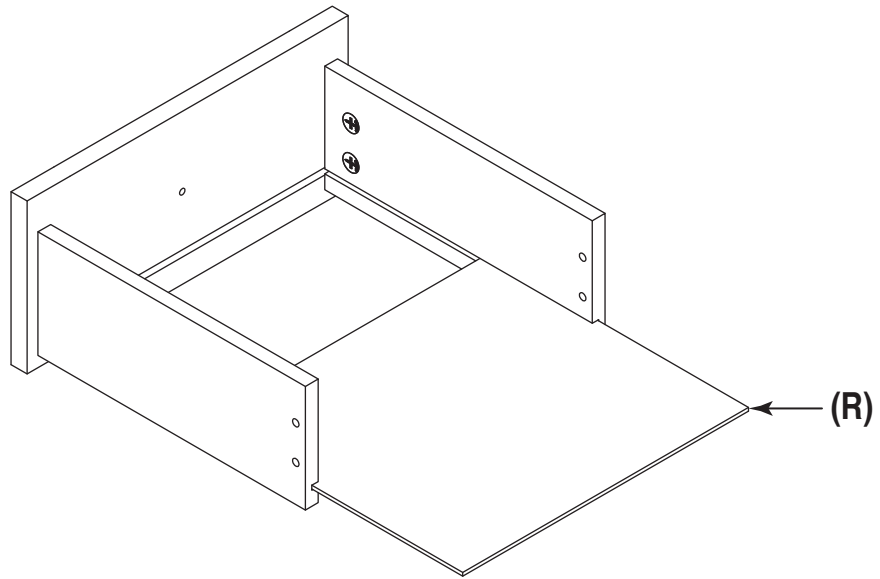
FULLY TIGHTEN CAM SCREWS (8) USING PHILLIPS SCREWDRIVER (NOT PROVIDED).

STEP 12

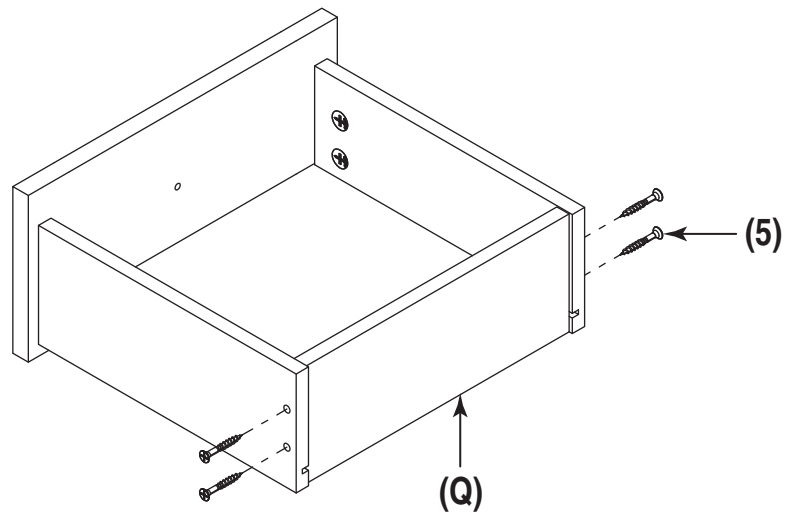


FULLY TIGHTEN CAM NUTS (11) USING PHILLIPS SCREWDRIVER (NOT PROVIDED).

STEP 13

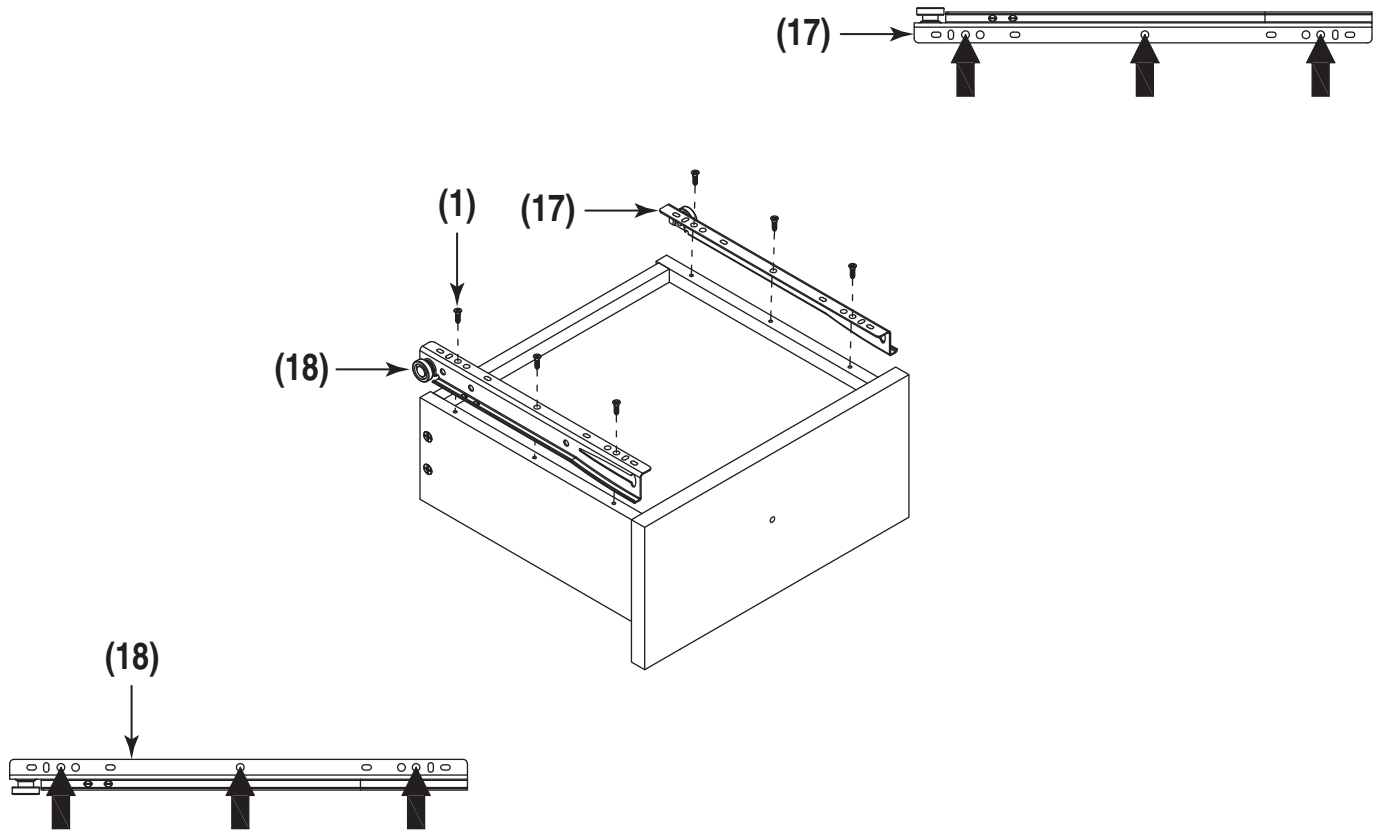


STEP 14



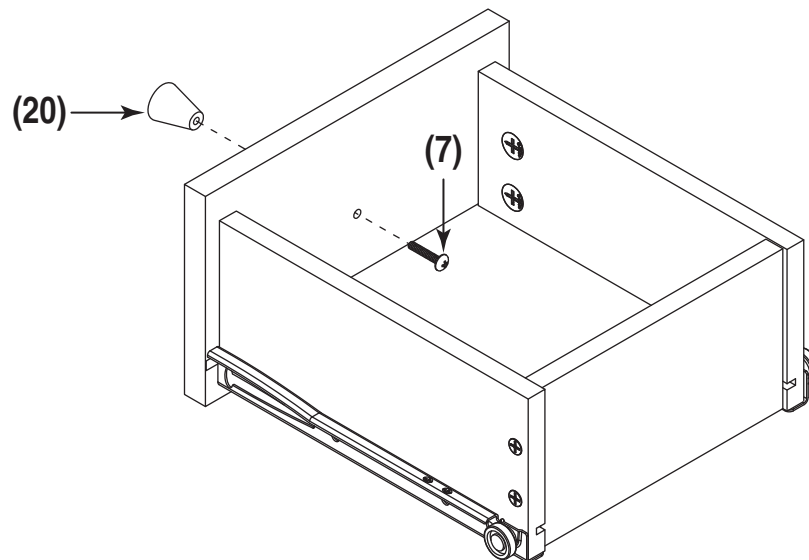
FULLY TIGHTEN SCREWS (5) USING PHILLIPS SCREWDRIVER (NOT PROVIDED).

STEP 15



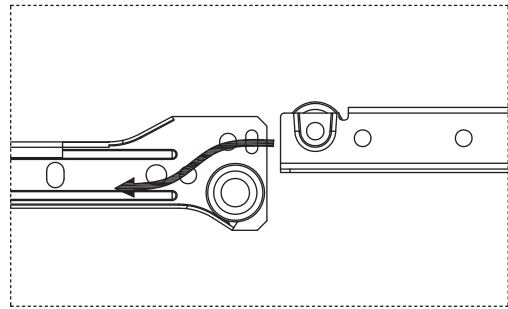
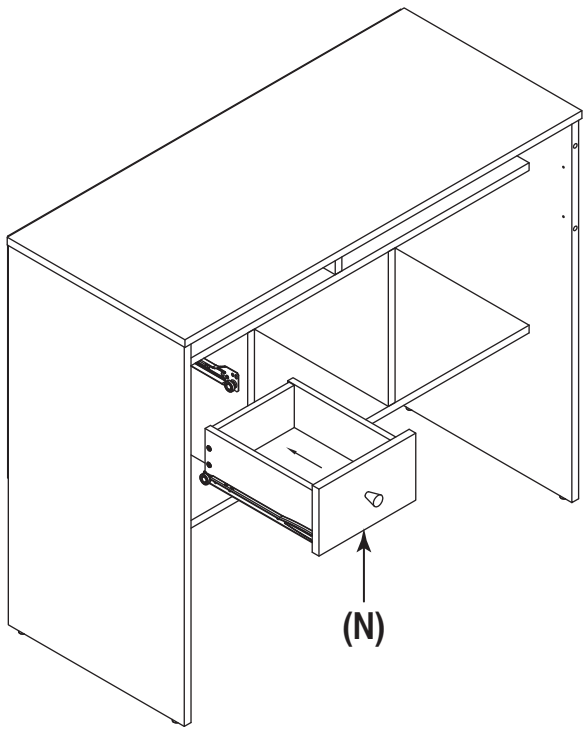
FULLY TIGHTEN ALL SCREWS (1) USING PHILLIPS SCREWDRIVER (NOT PROVIDED).

STEP 16

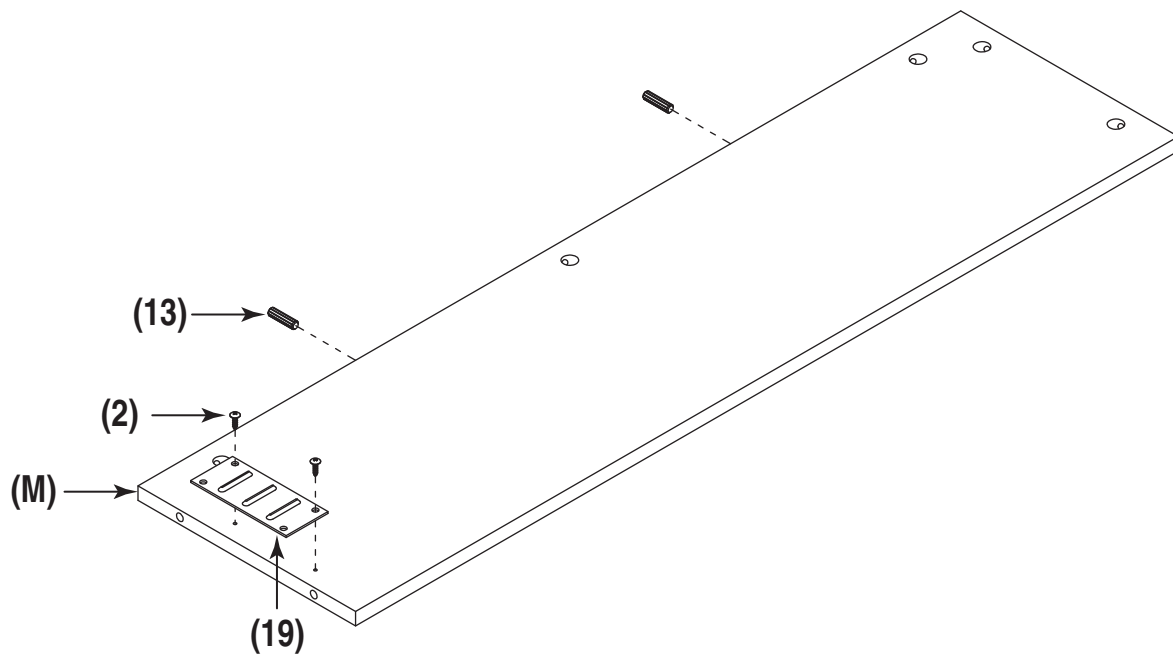


FULLY TIGHTEN SCREW (7) USING PHILLIPS SCREWDRIVER (NOT PROVIDED).

STEP 17

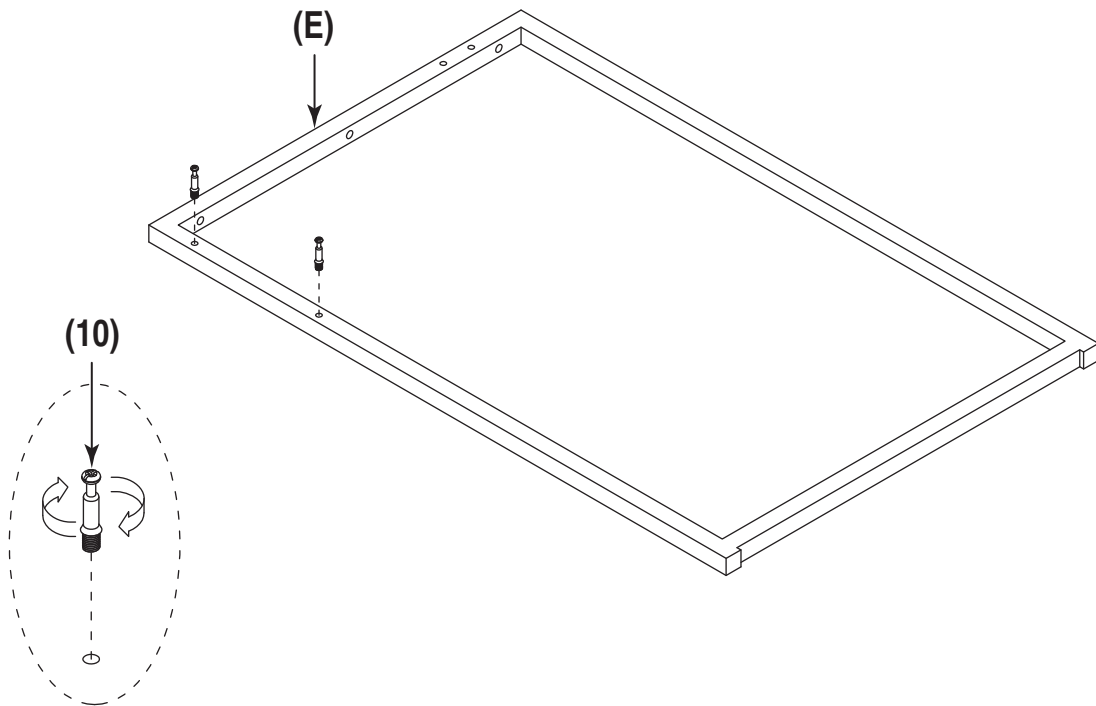


STEP 18



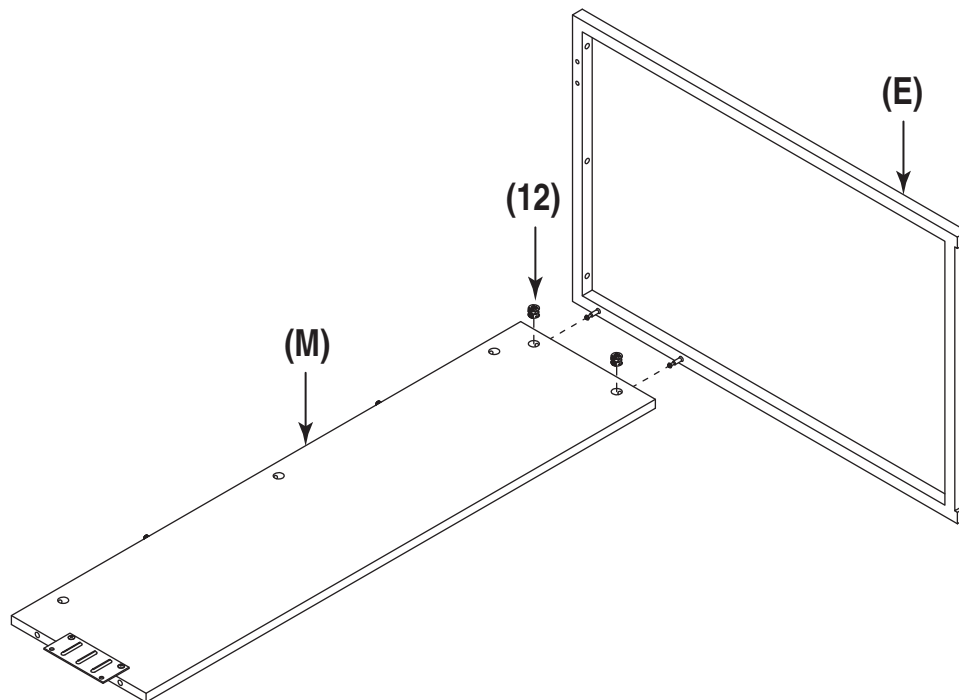
FULLY TIGHTEN SCREWS (2) USING PHILLIPS SCREWDRIVER (NOT PROVIDED).

STEP 19



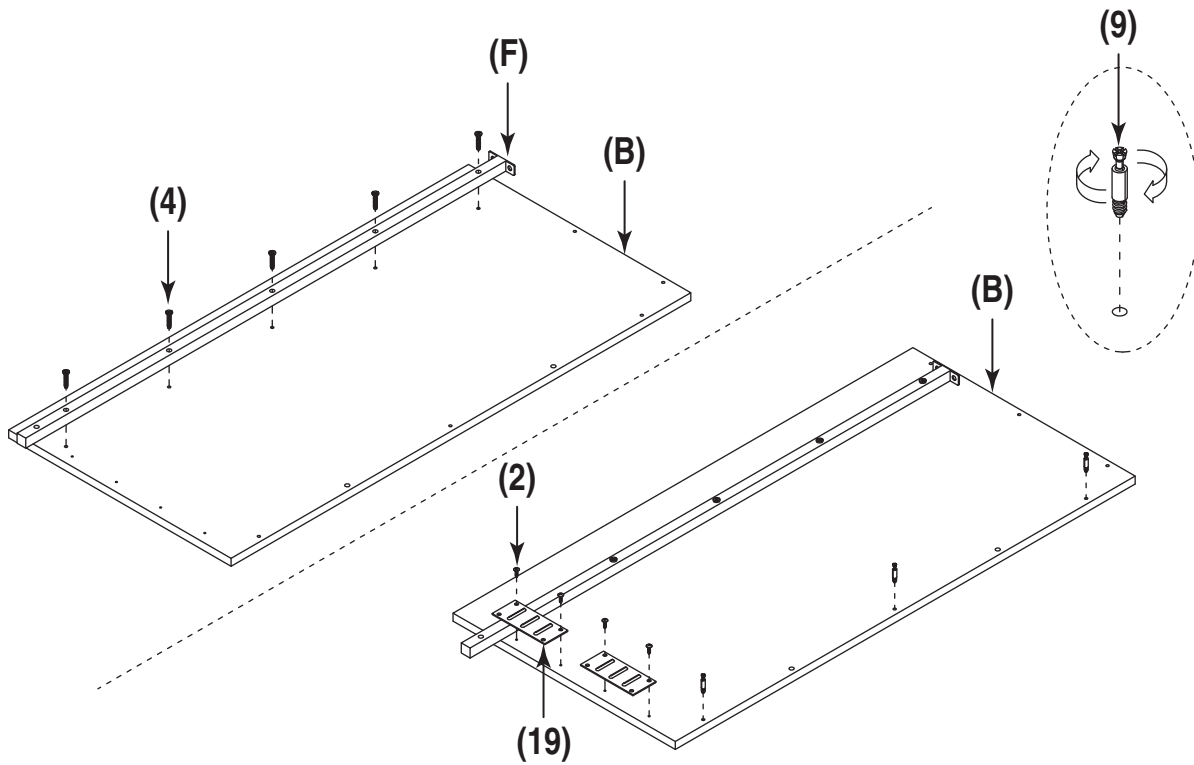
FULLY TIGHTEN CAM SCREWS (10) USING PHILLIPS SCREWDRIVER (NOT PROVIDED).

STEP 20



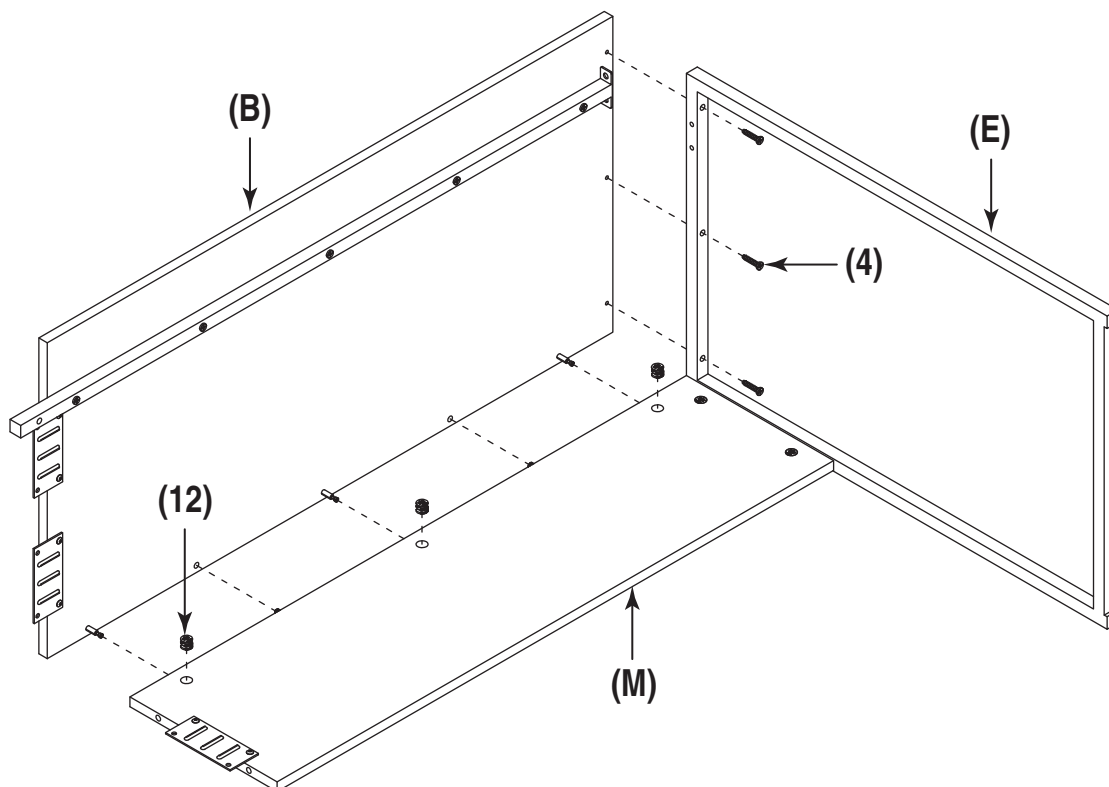
FULLY TIGHTEN CAM NUTS (12) USING PHILLIPS SCREWDRIVER (NOT PROVIDED).

STEP 21



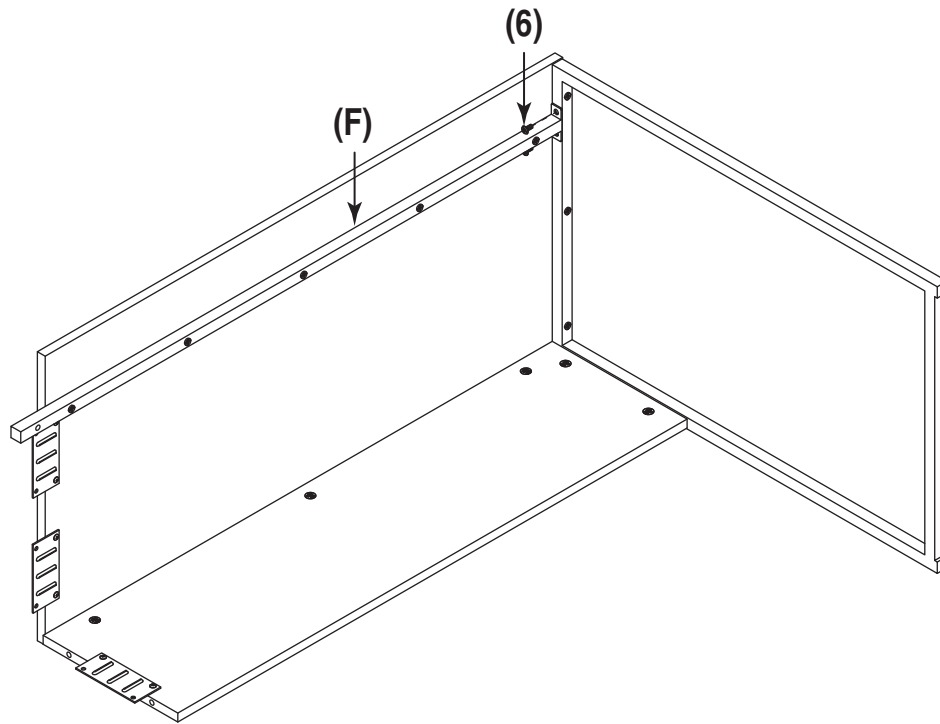
FULLY TIGHTEN ALL SCREWS (2 & 4) AND CAM SCREWS (9) USING PHILLIPS SCREWDRIVER (NOT PROVIDED).

STEP 22



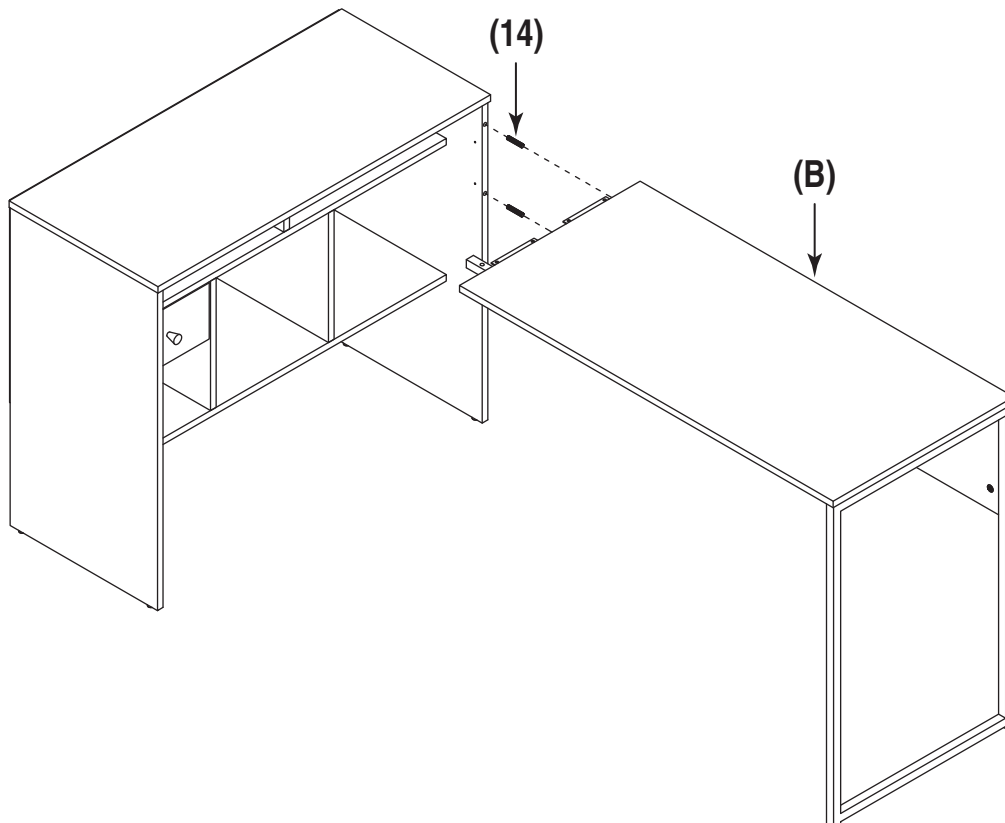
FULLY TIGHTEN SCREWS (4) AND CAM NUTS (12) USING PHILLIPS SCREWDRIVER (NOT PROVIDED).

STEP 23

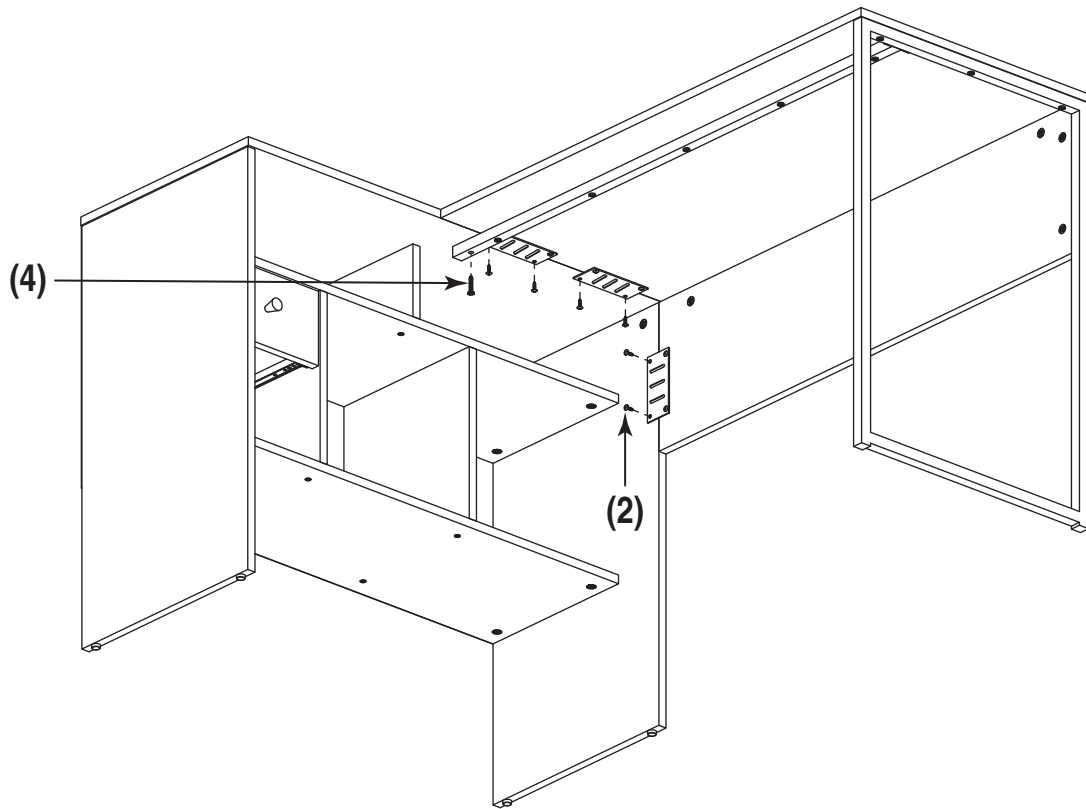


FULLY TIGHTEN SCREWS (6) USING PHILLIPS SCREWDRIVER (NOT PROVIDED).

STEP 24



STEP 25



FULLY TIGHTEN ALL SCREWS (2 & 4) USING PHILLIPS SCREWDRIVER (NOT PROVIDED).

STEP 26

