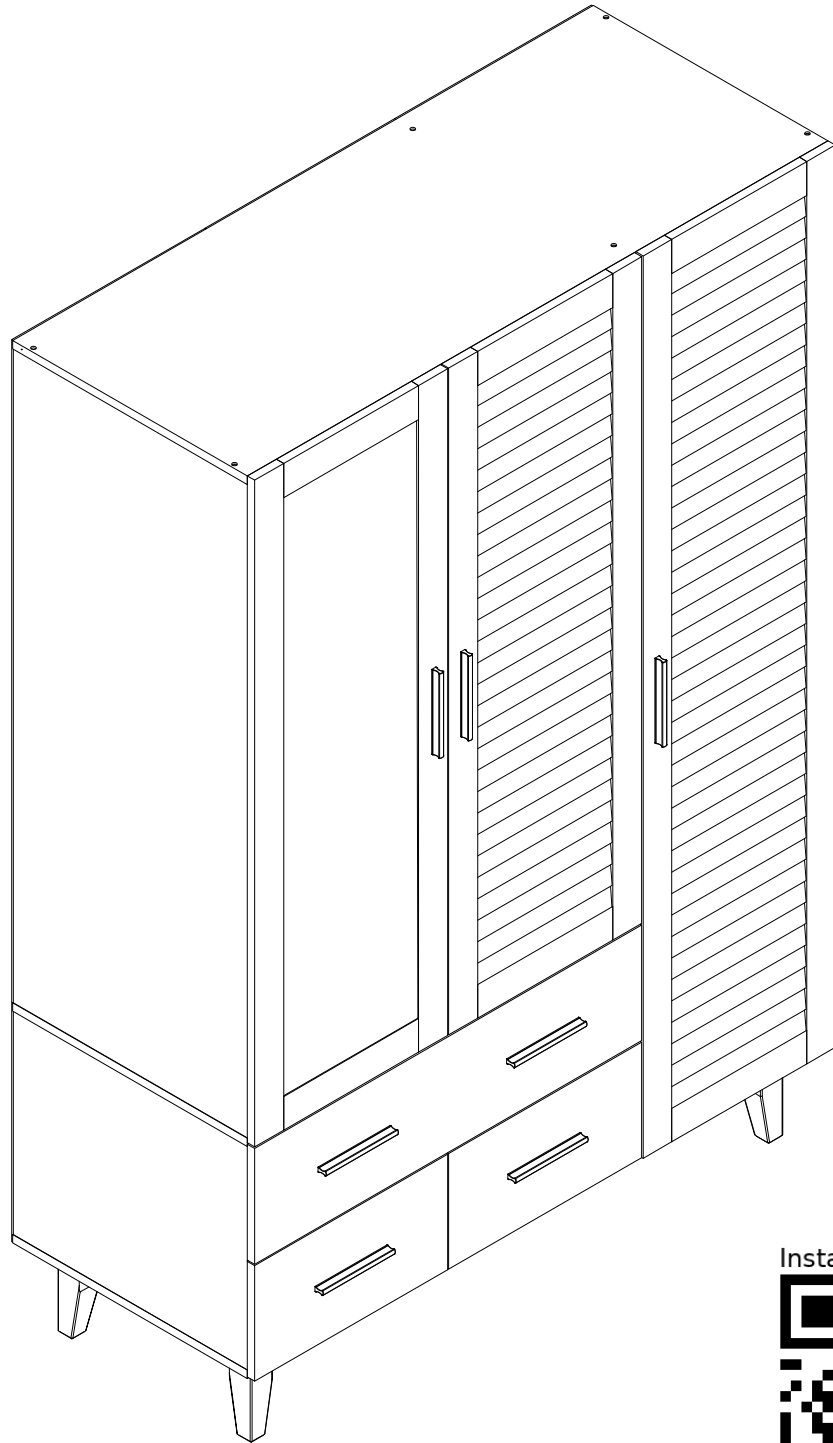


DJ0780WT/BK-120CM



Installation Video QR



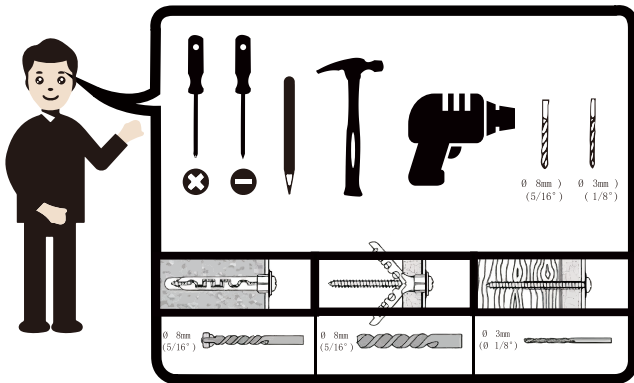
Installation Video QR

SKU:DJ0780WT-120CM-A
<https://www.med.com/1059442337>
<https://vimeo.com/1059442337>

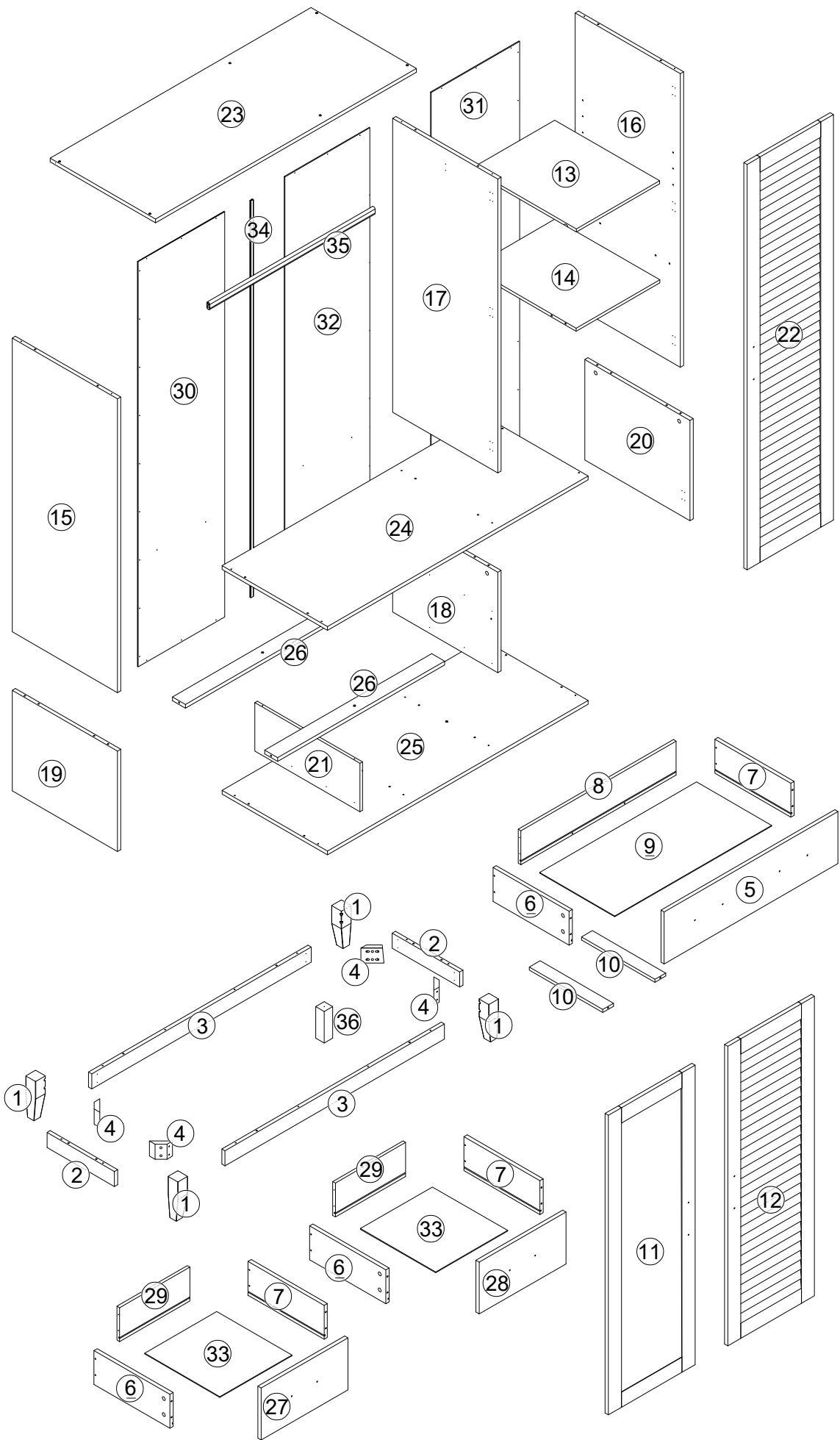
Important reminder:

- △ Please sort and check all accessories before assembly.
- △ Please place the product on empty cardboard box or carpet to avoid scratches on it,
- △ Please use proper tools for assembly. Using an electric screwdriver can accelerate the assembly speed, but please do not overtighten the screws.
- △ Please follow the assembly steps and do not skip any of them.
- △ If possible, please find a partner to help you with assembly, which can accelerate assembly.
- △ Keep all small parts of this product away from children. They may cause serious injury.
- △ We hope you can retighten the screws 2 weeks after assembly, and check the tightening procedure of the screws every 3 months.

If you meet any difficulty, our friendly customer team are always ready to help you.



Warning:Overturning the product can cause serious crushing injuries. We have a wall connection device attached, please use it to hold the furniture following assembly instructions. Do not change the structure of this product in way. Our products have been tested and meet any all sales specific security measures. We won't be responsible for any modifications, which may cause significant security risks.



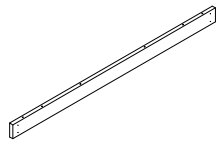
① x4



② x2



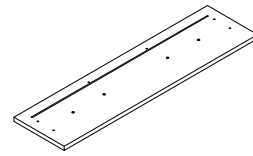
③ x2



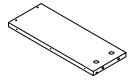
④ x4



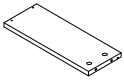
⑤ x1



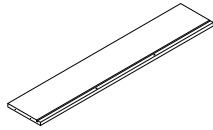
⑥ x3



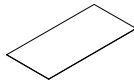
⑦ x3



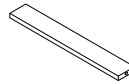
⑧ x1



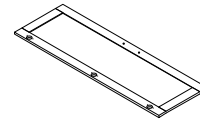
⑨ x1



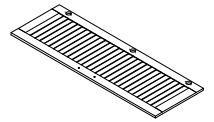
⑩ x2



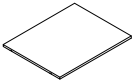
⑪ x1



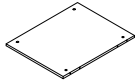
⑫ x1



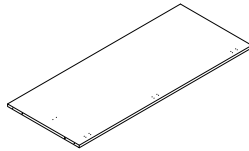
⑬ x1



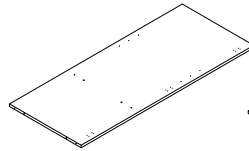
⑭ x1



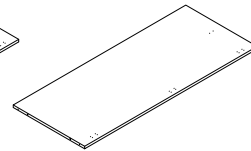
⑮ x1



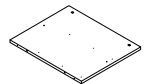
⑯ x1



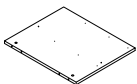
⑰ x1



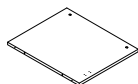
⑱ x1



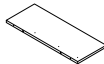
⑲ x1



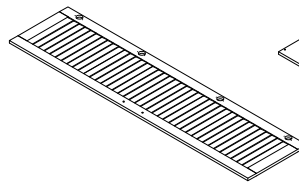
⑳ x1



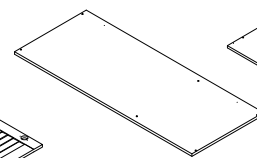
㉑ x1



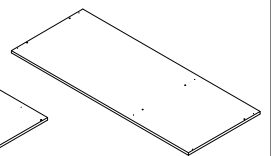
㉒ x1



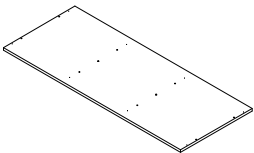
㉓ x1



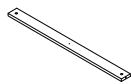
㉔ x1



㉕ x1



㉖ x2



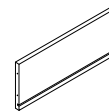
㉗ x1



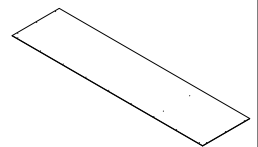
㉘ x1



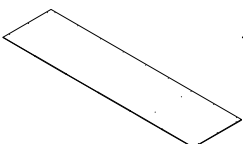
㉙ x2



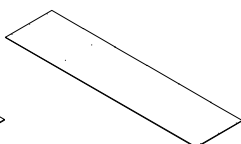
㉚ x1



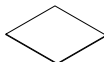
㉛ x1



㉜ x1



㉝ x2



㉞ x1




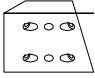
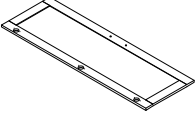
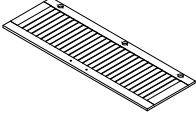
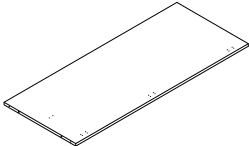
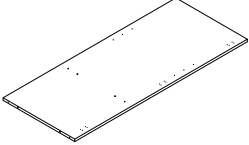
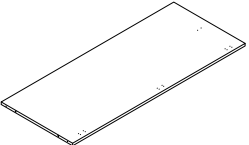
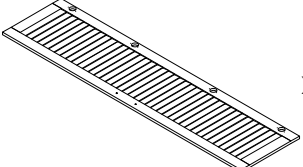
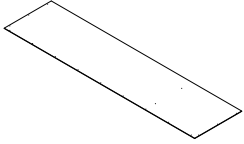
㉟ x1

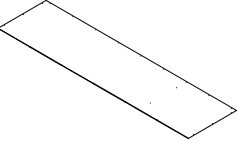
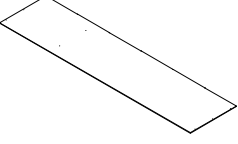




㊱ x1

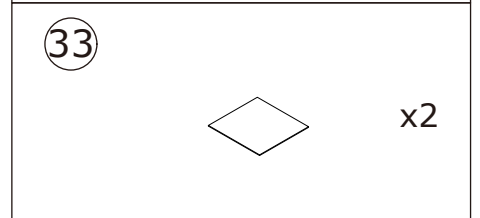
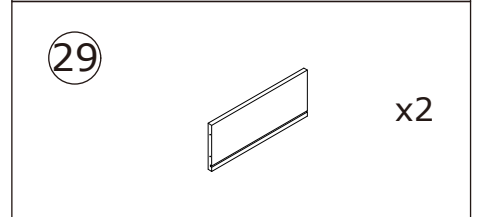
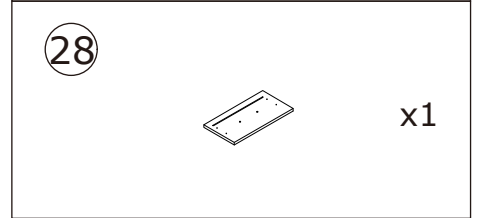
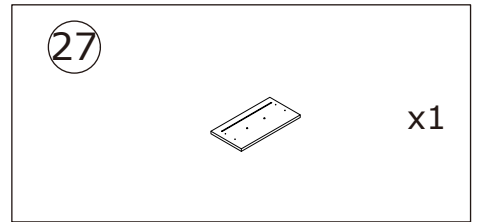
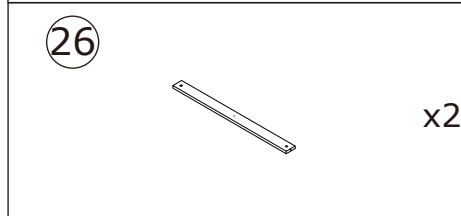
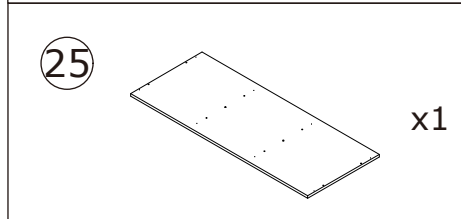
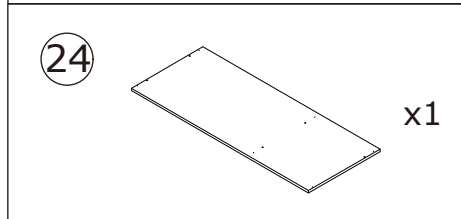
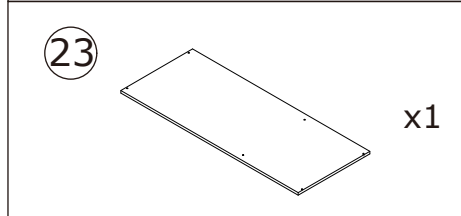
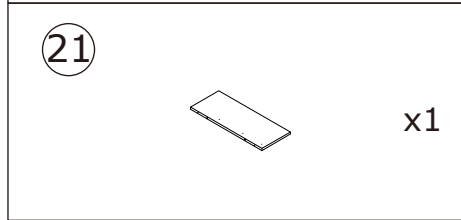
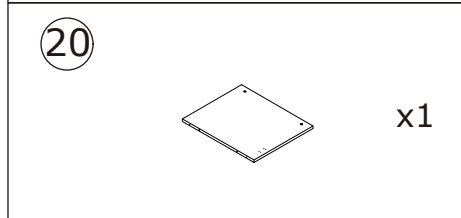
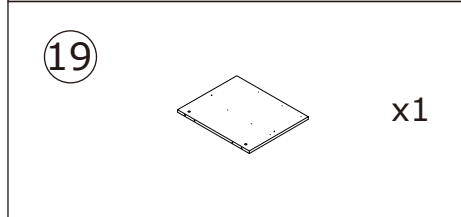
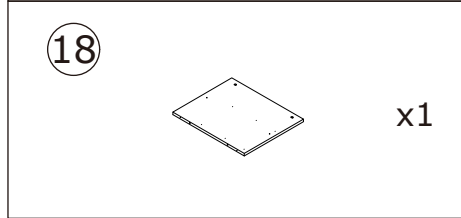
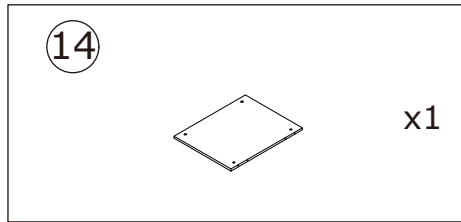
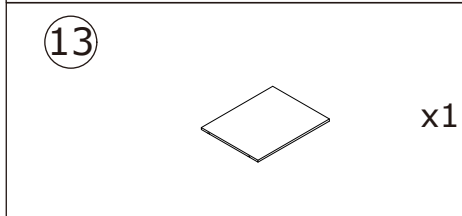
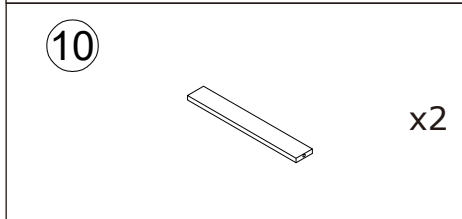
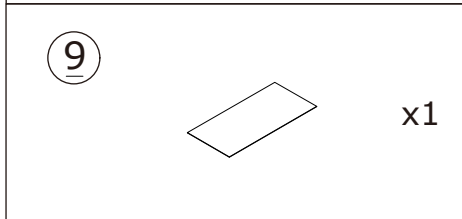
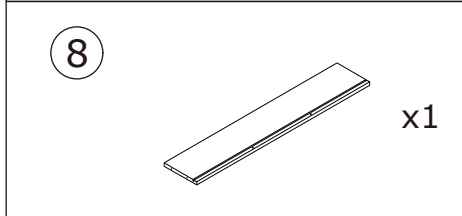
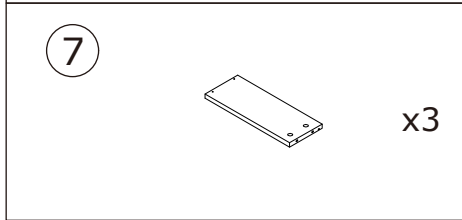
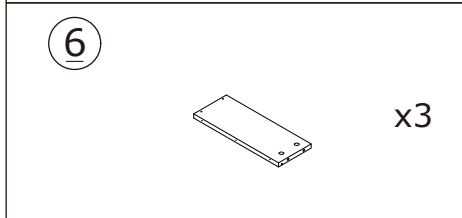
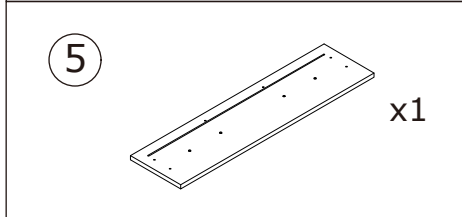
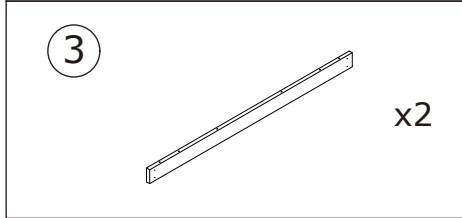
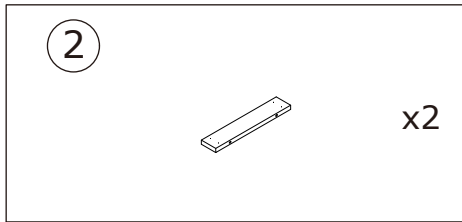


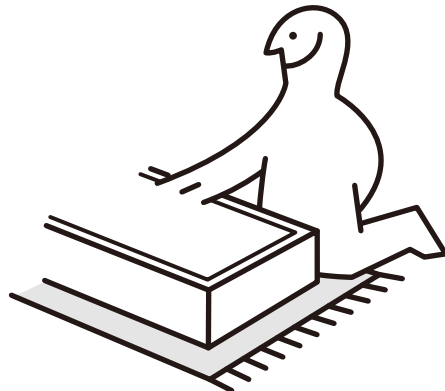
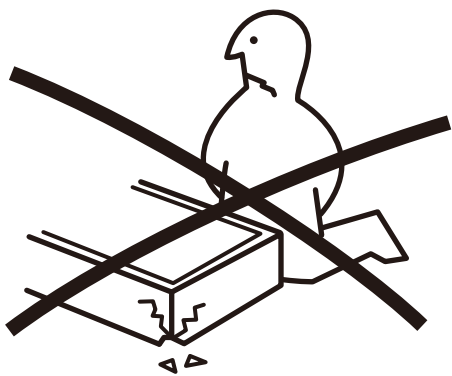
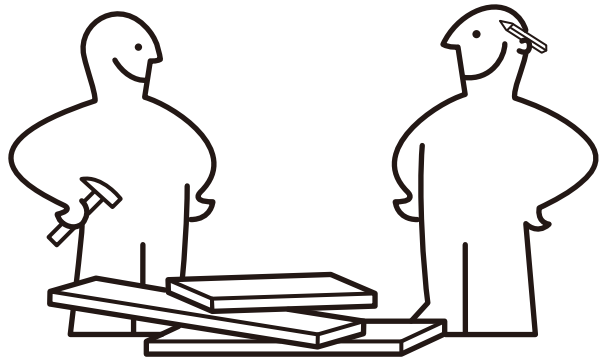
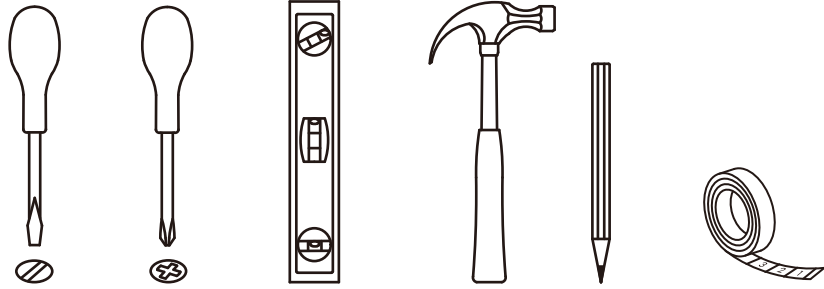
DJ0780-A

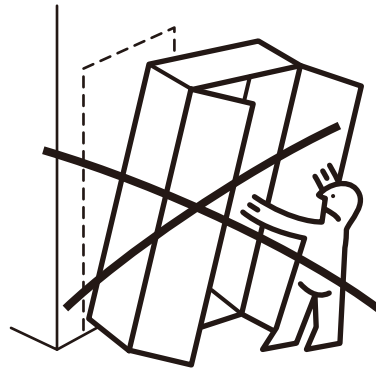
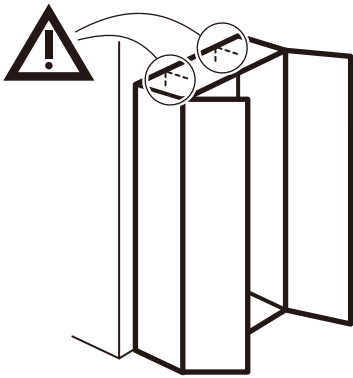
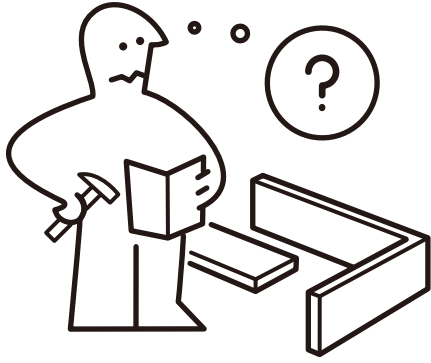
①		x4
④		x4
⑪		x1
⑫		x1
⑮		x1
⑯		x1
⑰		x1
⑳		x1
⑳		x1

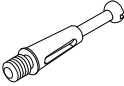

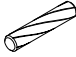
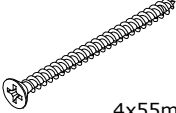
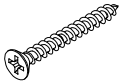
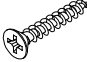




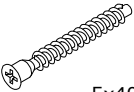




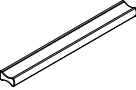
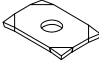
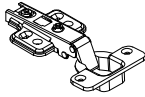
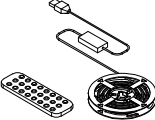

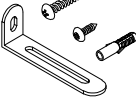
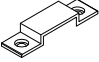






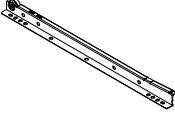

⑳		x1
㉓		x1
㉕		x1
㉗		x1

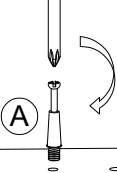
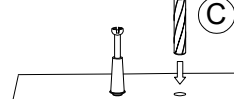
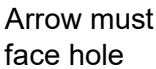
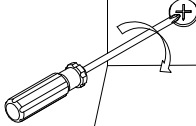
DJ0780-B







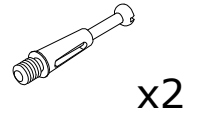
Ax28+2  6x30mm	Bx28+2 	Cx38+2  6x30mm	Dx12+2  4x55mm	Ex14+2  4x35mm
Fx16+2  4x25mm	Gx60+2  4x14mm	Hx70+2  3x12mm	Ix47+2  3x12mm	Jx14+2  4x16mm
Kx22+2  5x40mm	Lx4 	Mx8  6x45mm	Nx8 	Ox8 
Px7 	Qx5+2 	Rx10 	Sx1 	Tx2 
Ux2 	Vx12+2 	Wx28+2 	X x1  6x30mm	Y x1 
CLx3 	CRx3 	DLx3 	DRx3 	 SPARE BAG Please put the hardware of +2 in this self sealing bag

			
Gently screw cam bolt into the threaded anchor.	Insert the wood dowel halfway into hole.	Arrow must face hole	Screw the camlock firmly into locked position.

SAFETY TIPS: Static charge may cause dust on foam-clean with a dry or damp cloth. Small foam strands may be present-handle gently and dispose of properly. Do not bum or incinerate. Check local recycling guidelines.

1

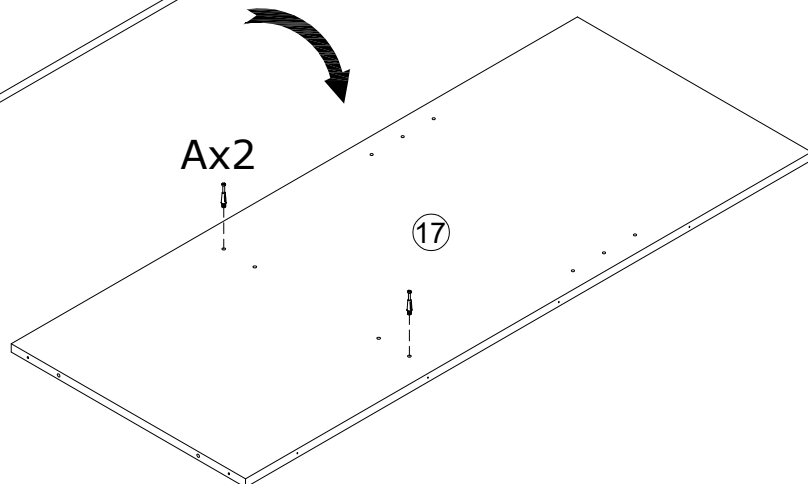
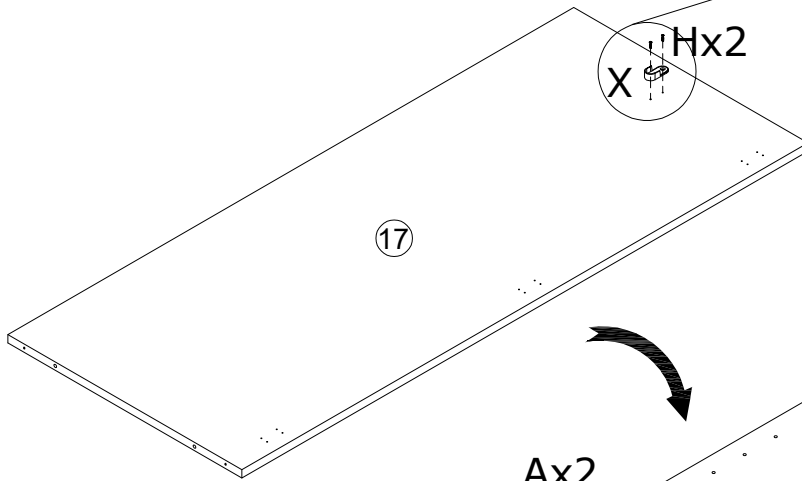
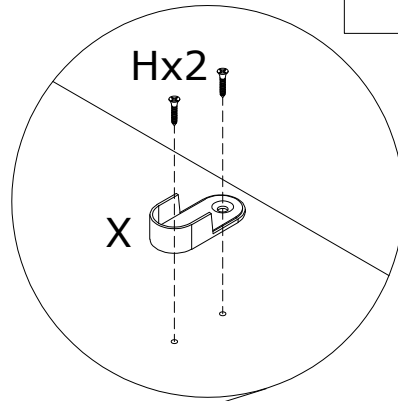
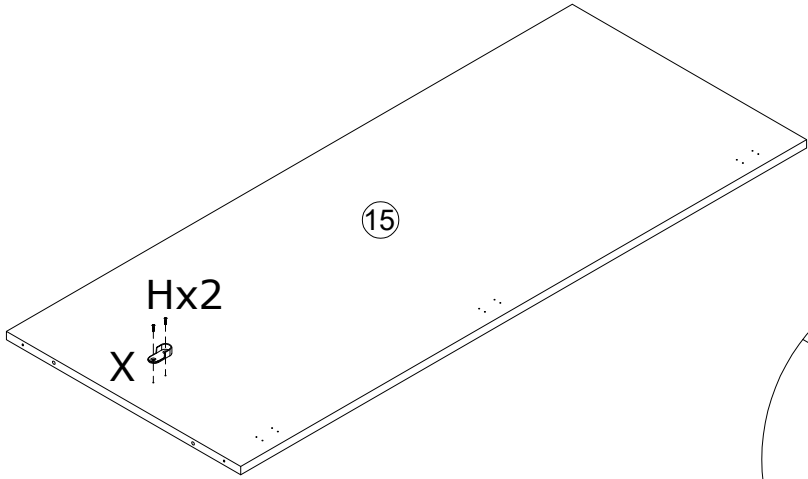
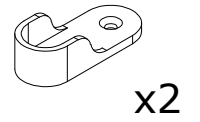
A



H

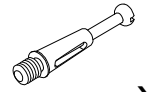


T



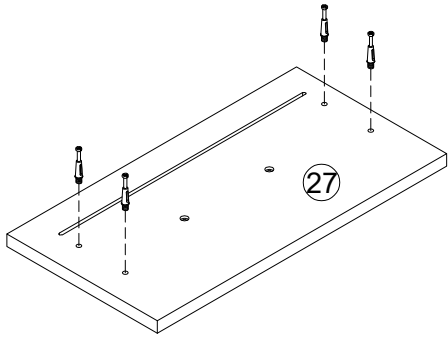
2

A

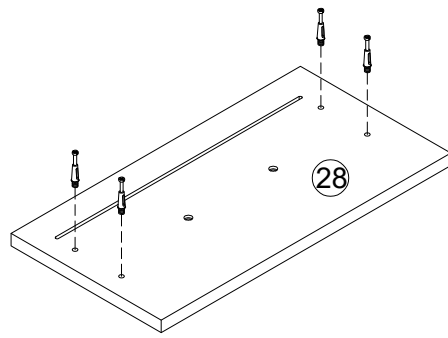


x22

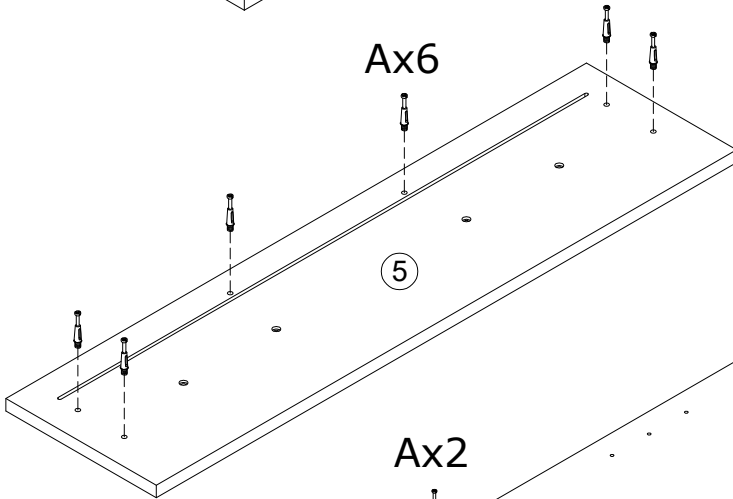
Ax4



Ax4

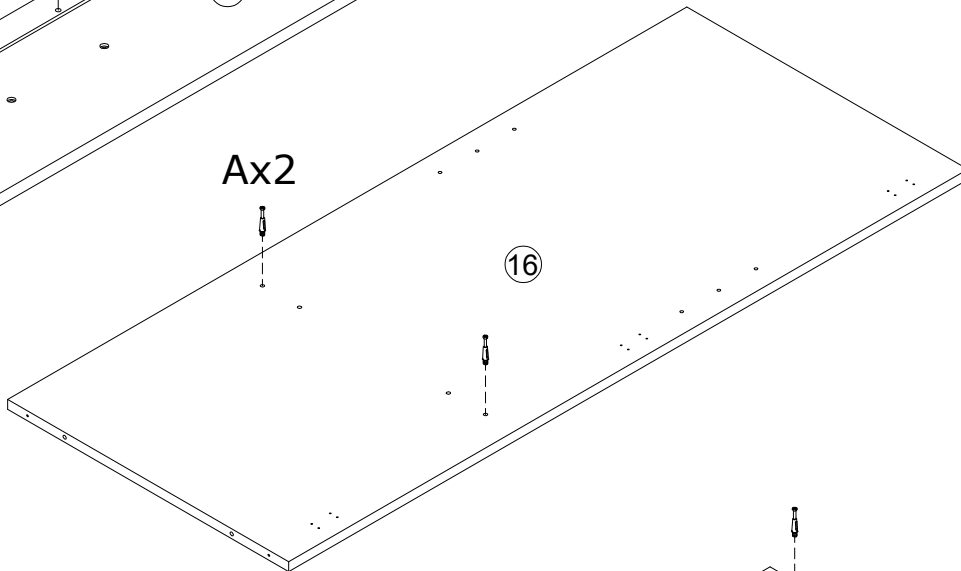


Ax6



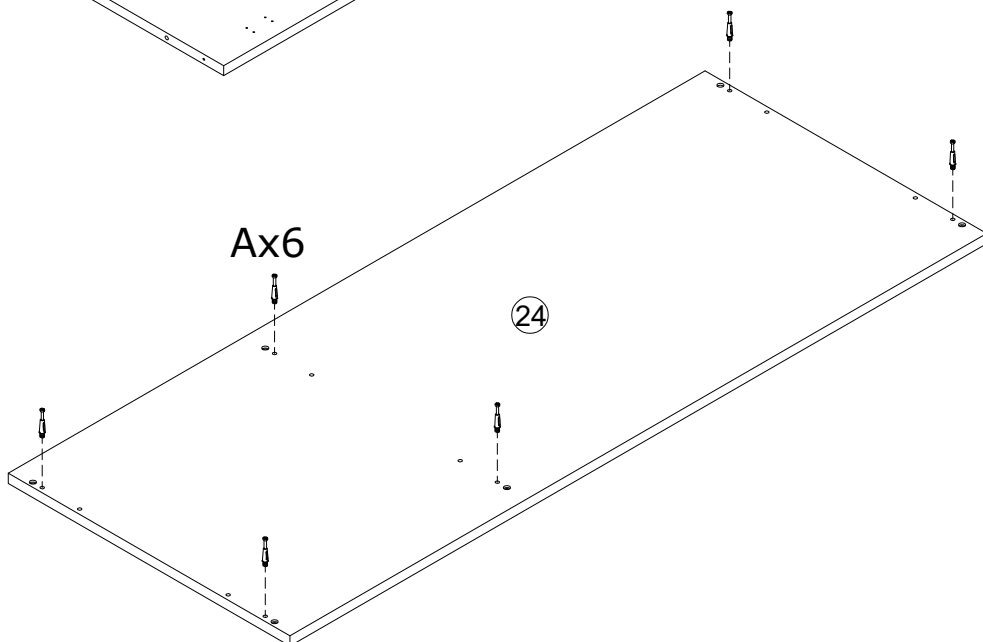
5

Ax2



16

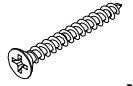
Ax6



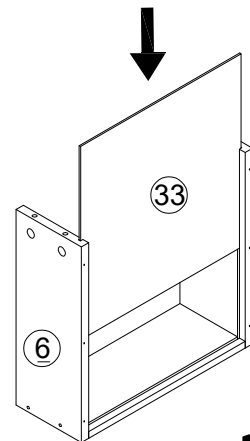
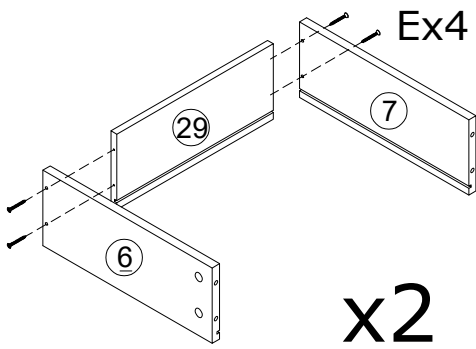
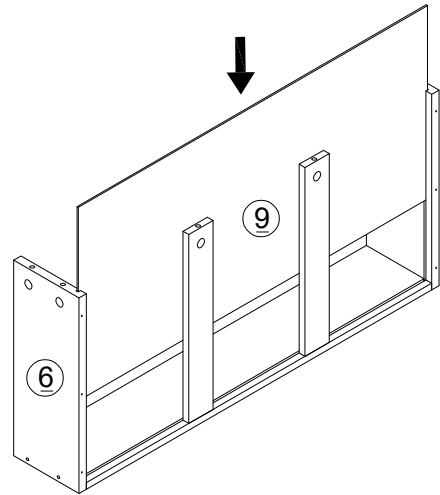
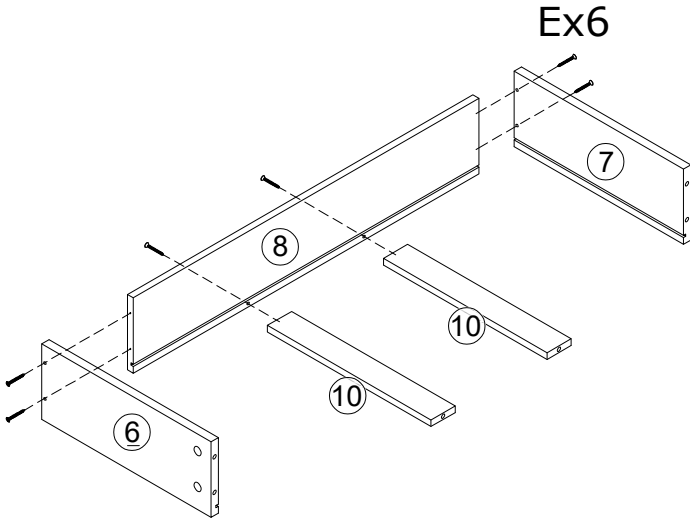
24

3

E

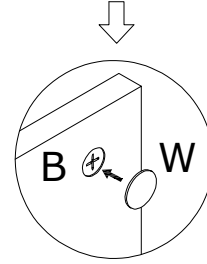
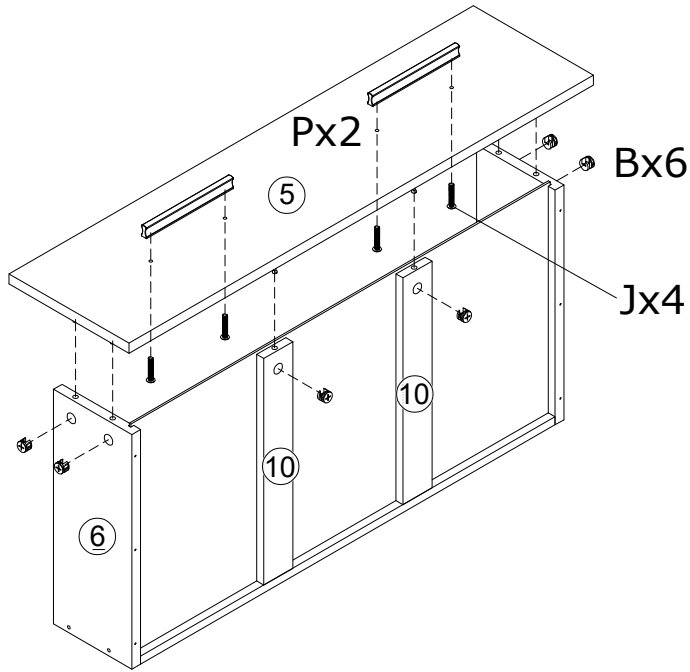


x14



x2

4



B
 x6

H
 x6

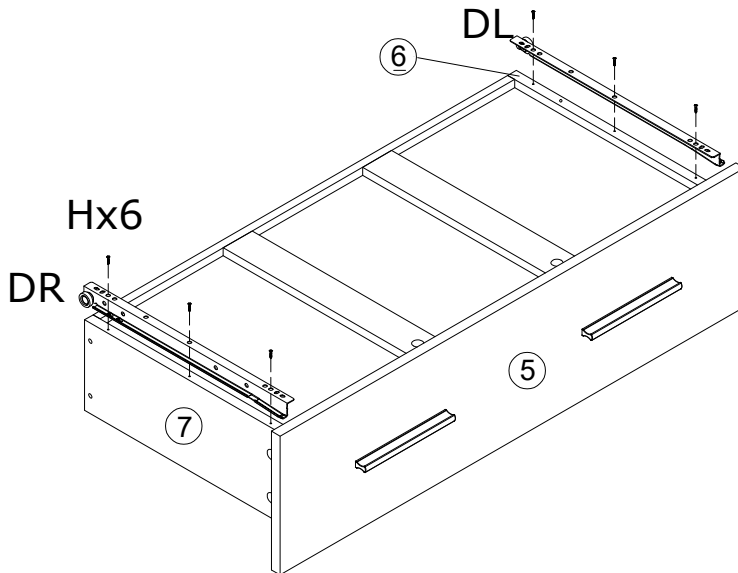
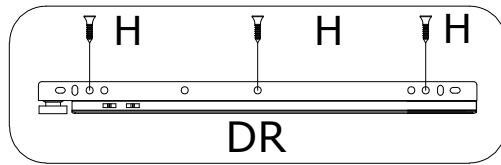
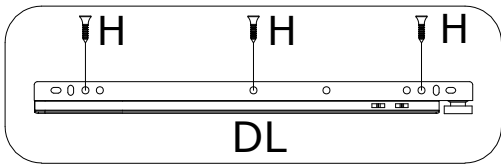
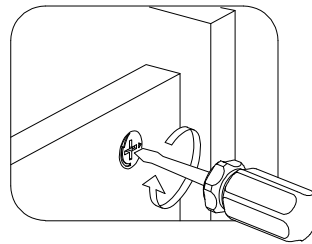
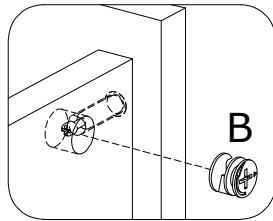
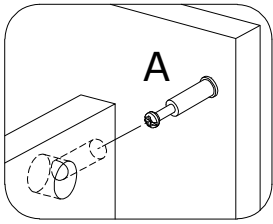
J
 x4

P
 x2

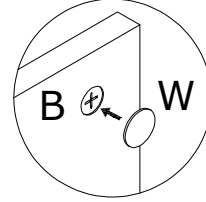
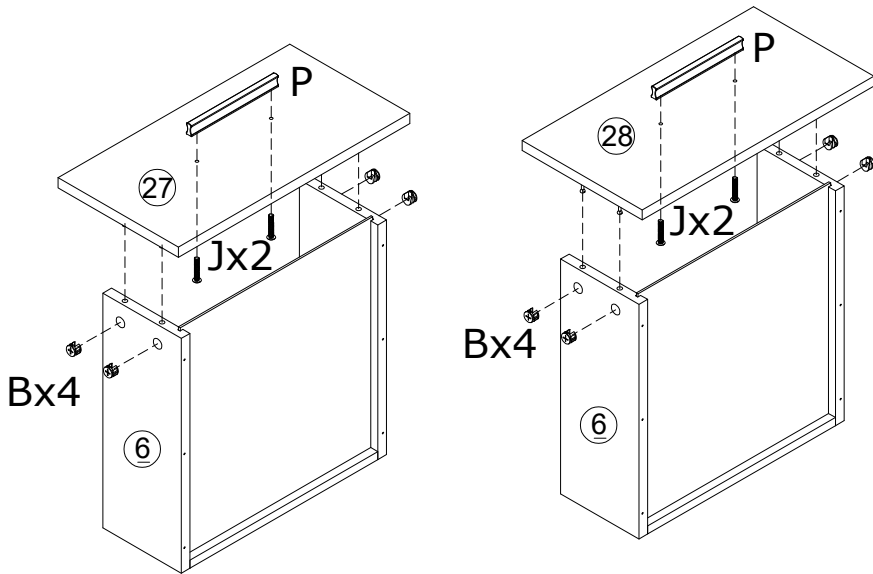
W
 x6

DL
 x1

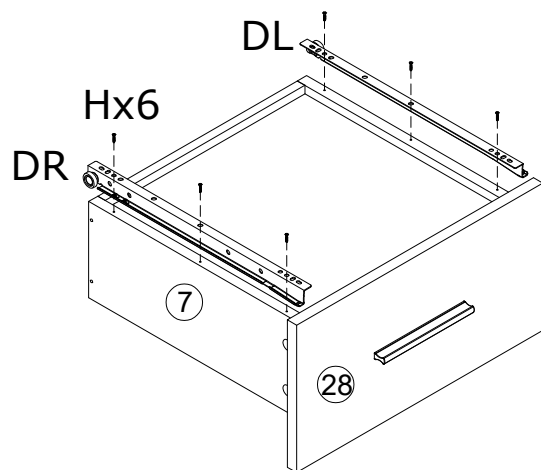
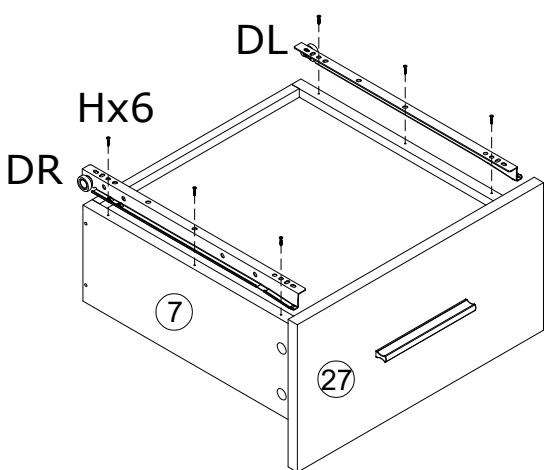
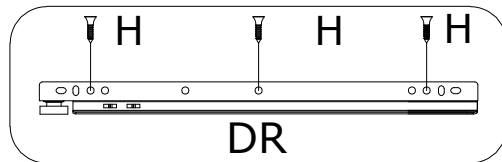
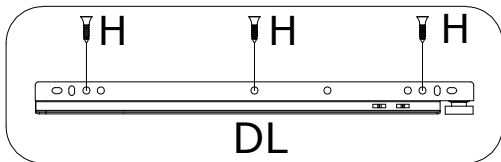
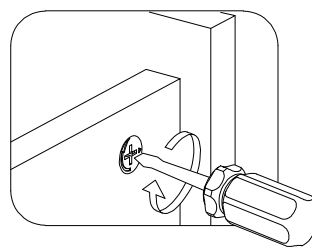
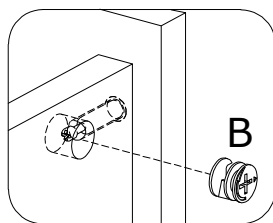
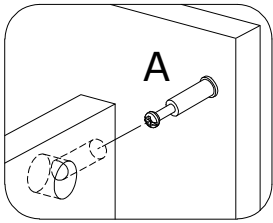
DR
 x1



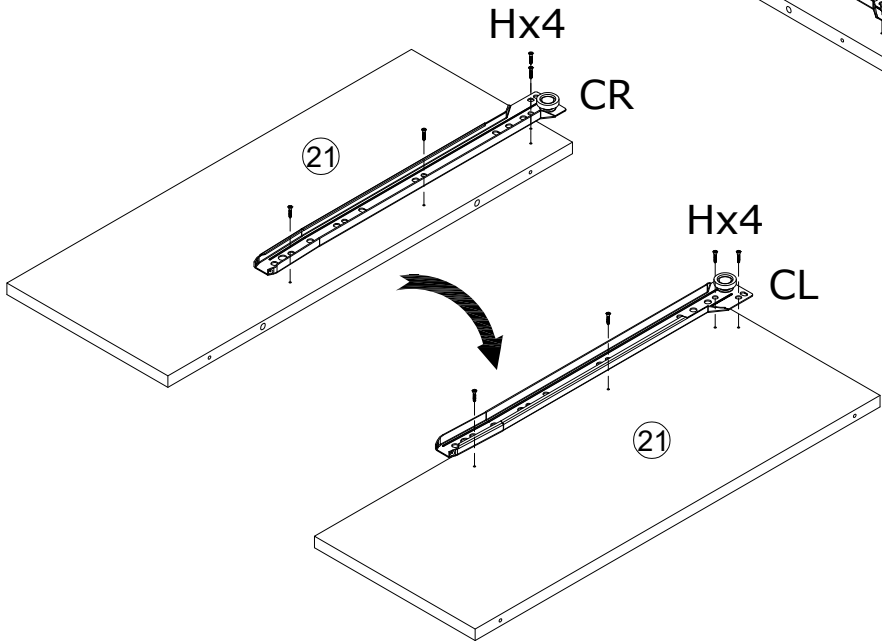
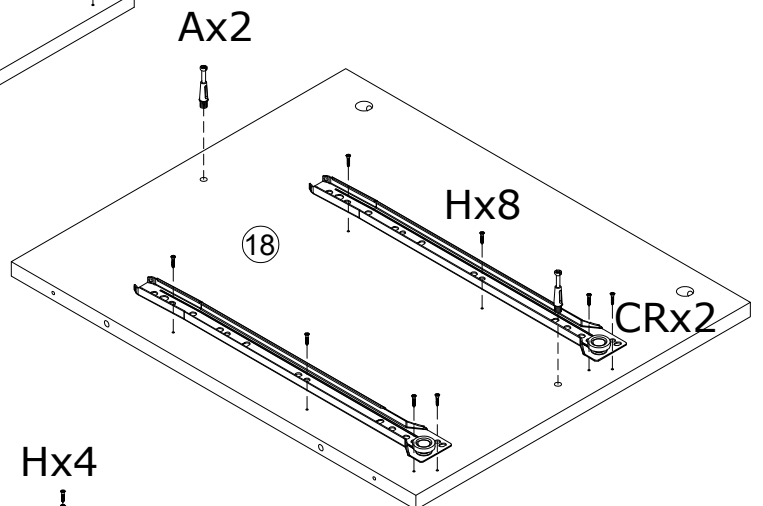
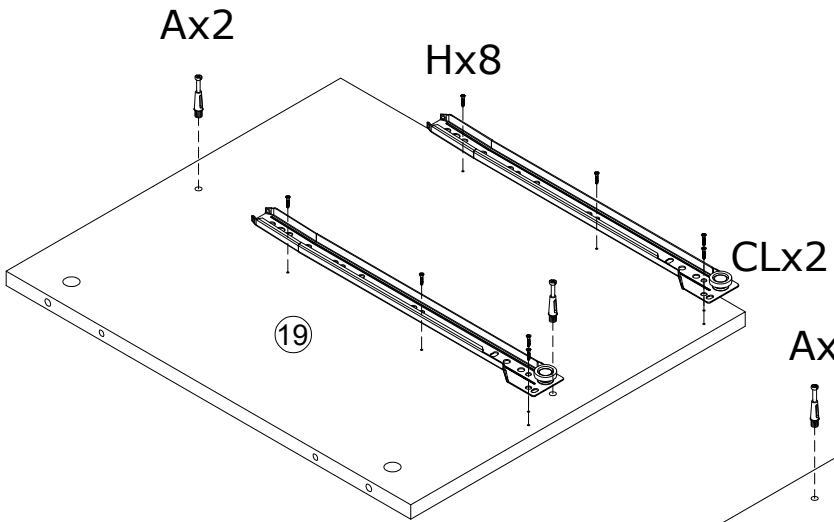
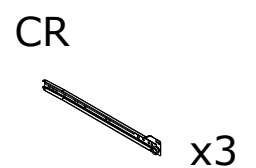
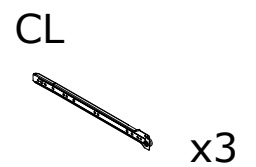
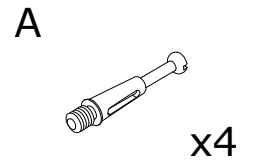
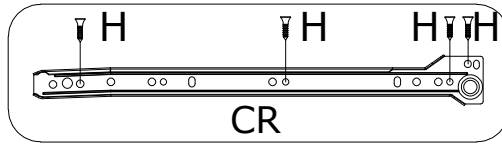
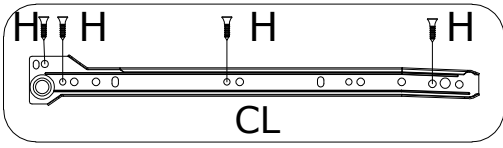
5



B		x8
H		x12
J		x4
P		x2
W		x8
DL		x2
DR		x2



6



7

B



x4

C

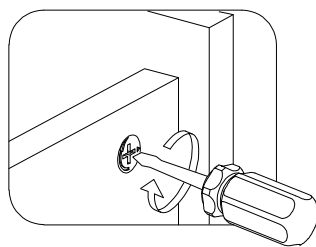
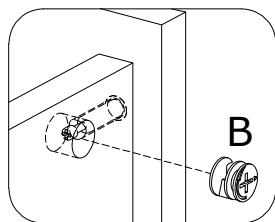
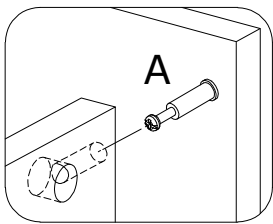
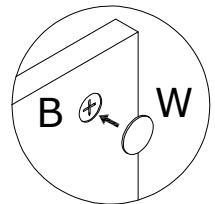
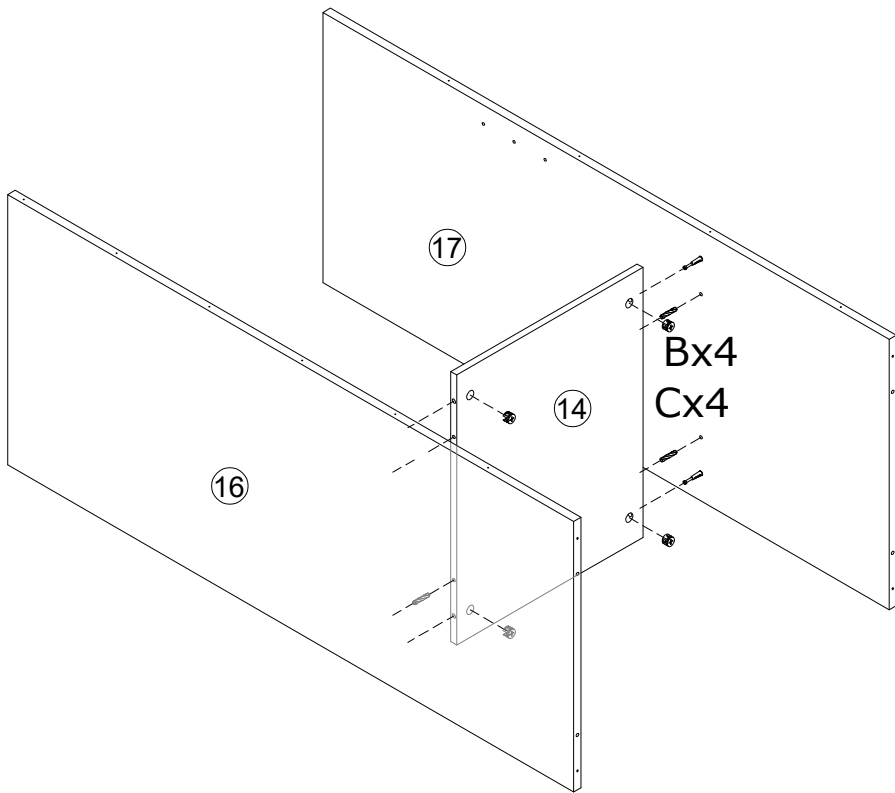


x4

W



x4



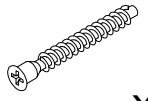
8

C

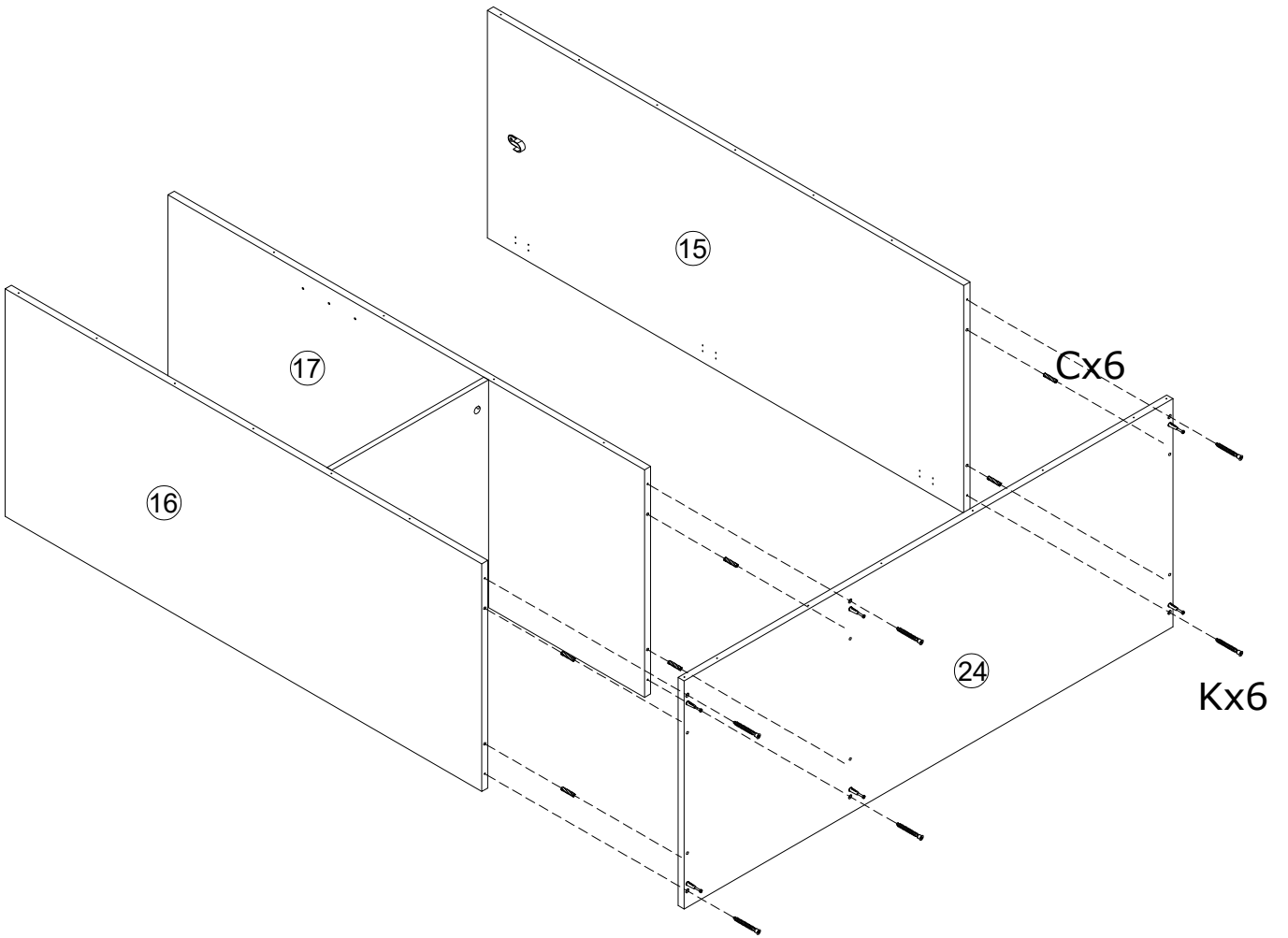


x6

K



x6



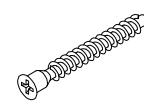
9

C

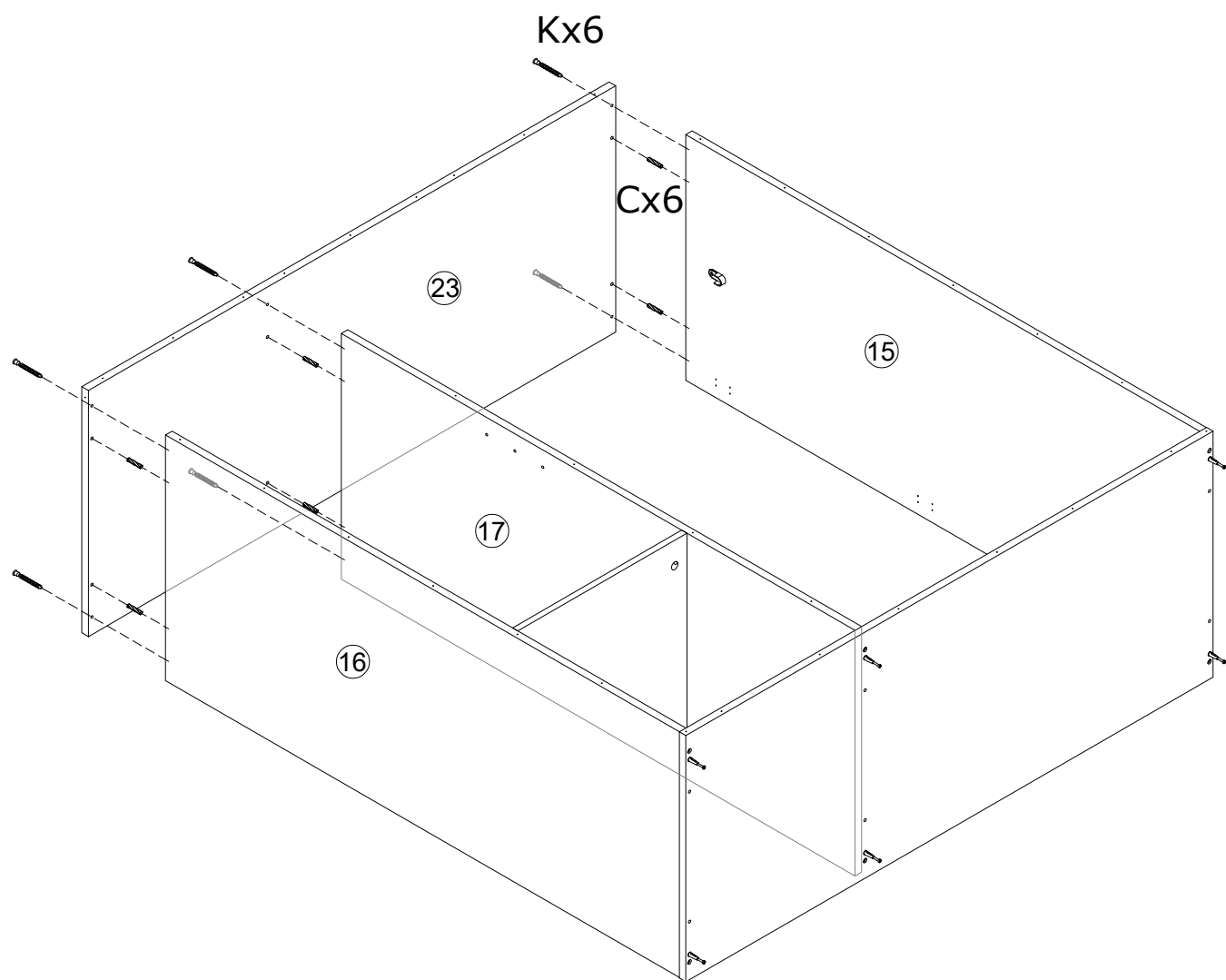


x6

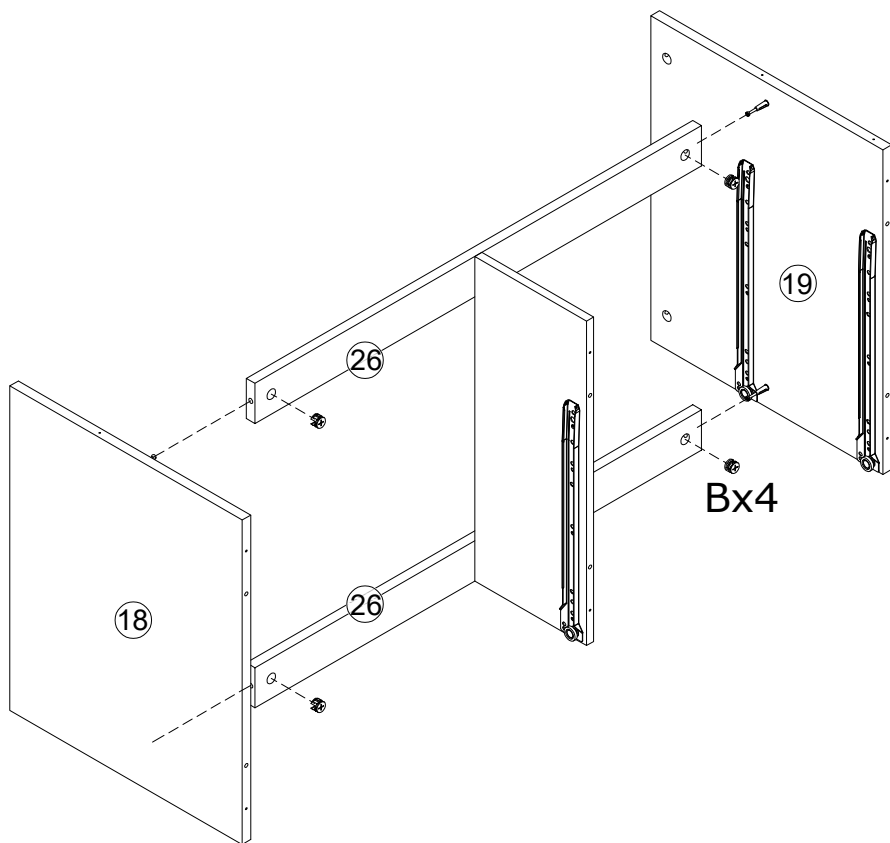
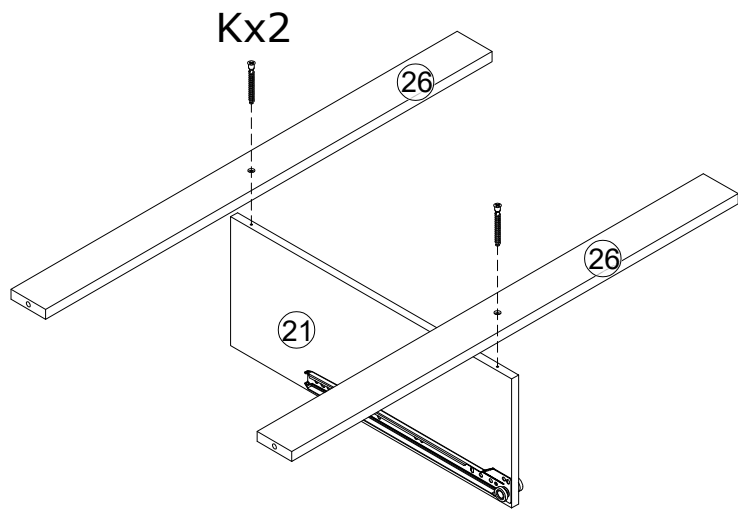
K


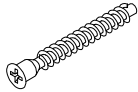



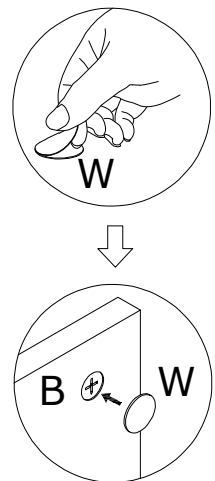
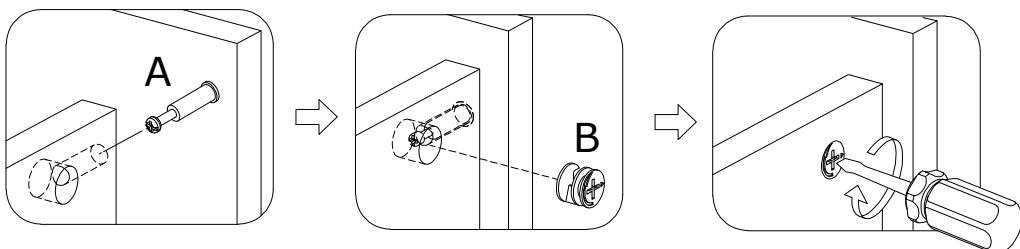
x6



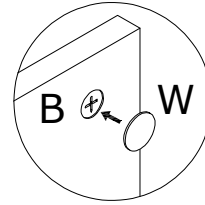
10



B		x4
K		x2
W		x4



11



B



x6

C

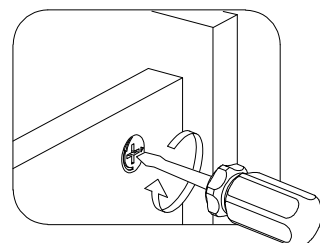
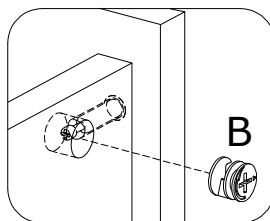
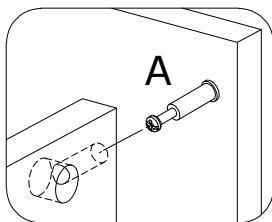
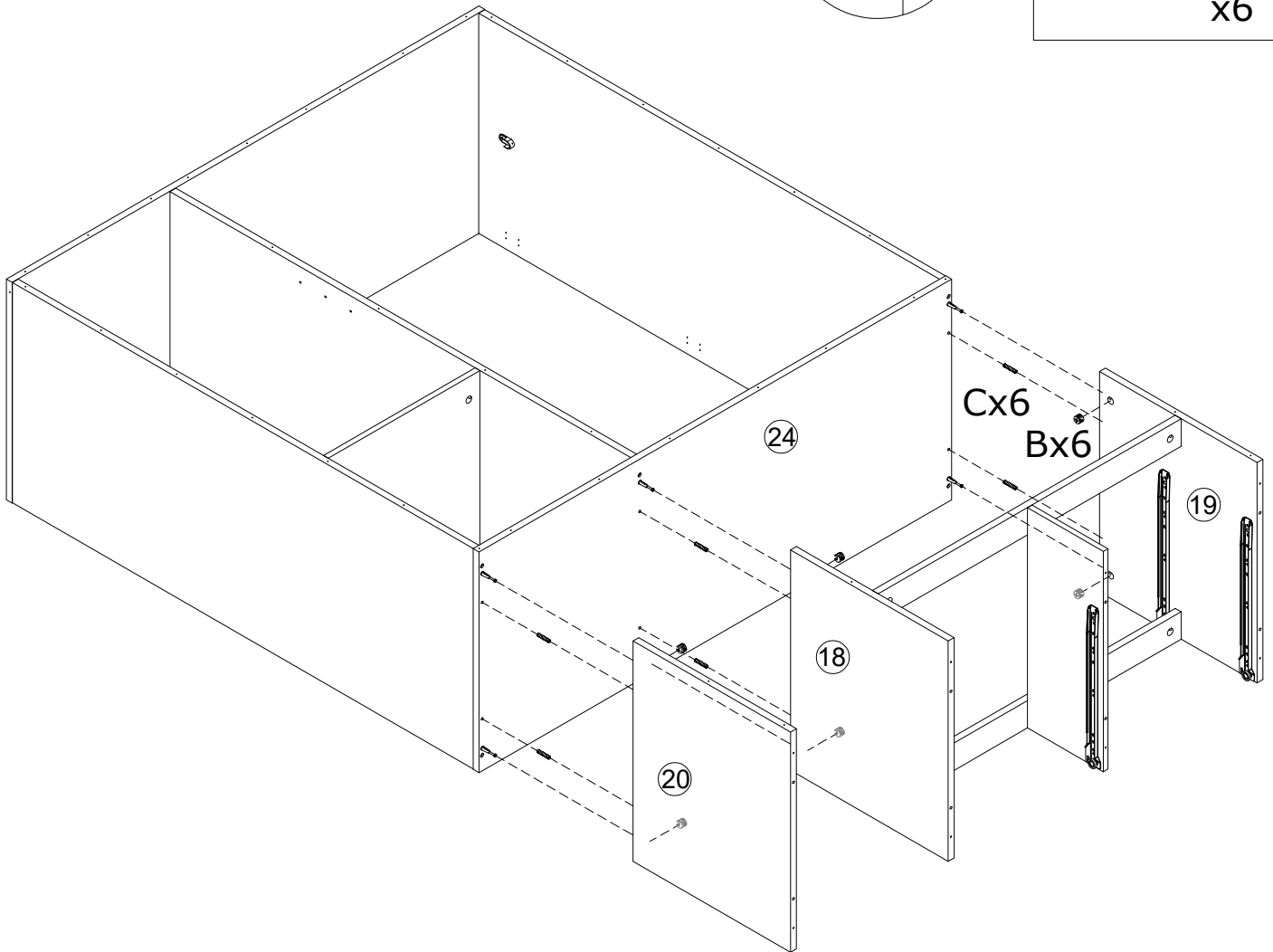


x6

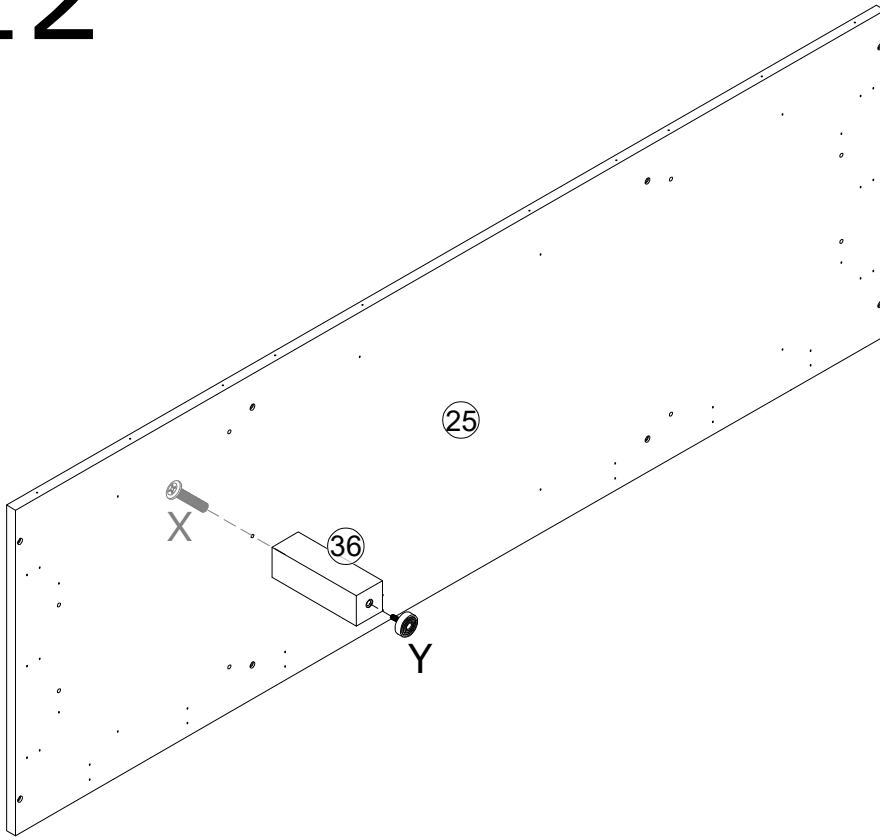
W


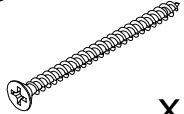




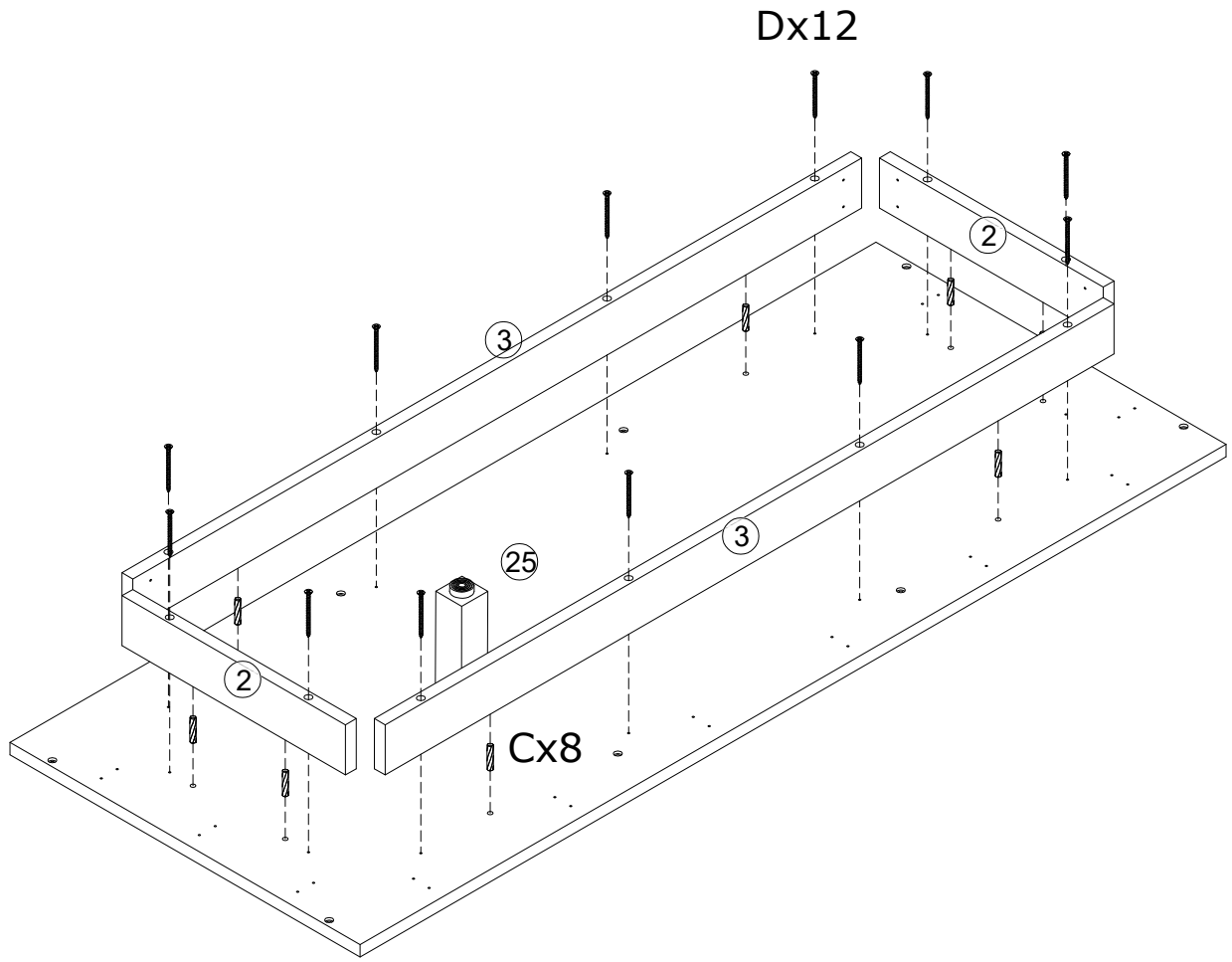
x6



12

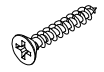


- C  x8
- D  x12
- Y  x1
- X  x1

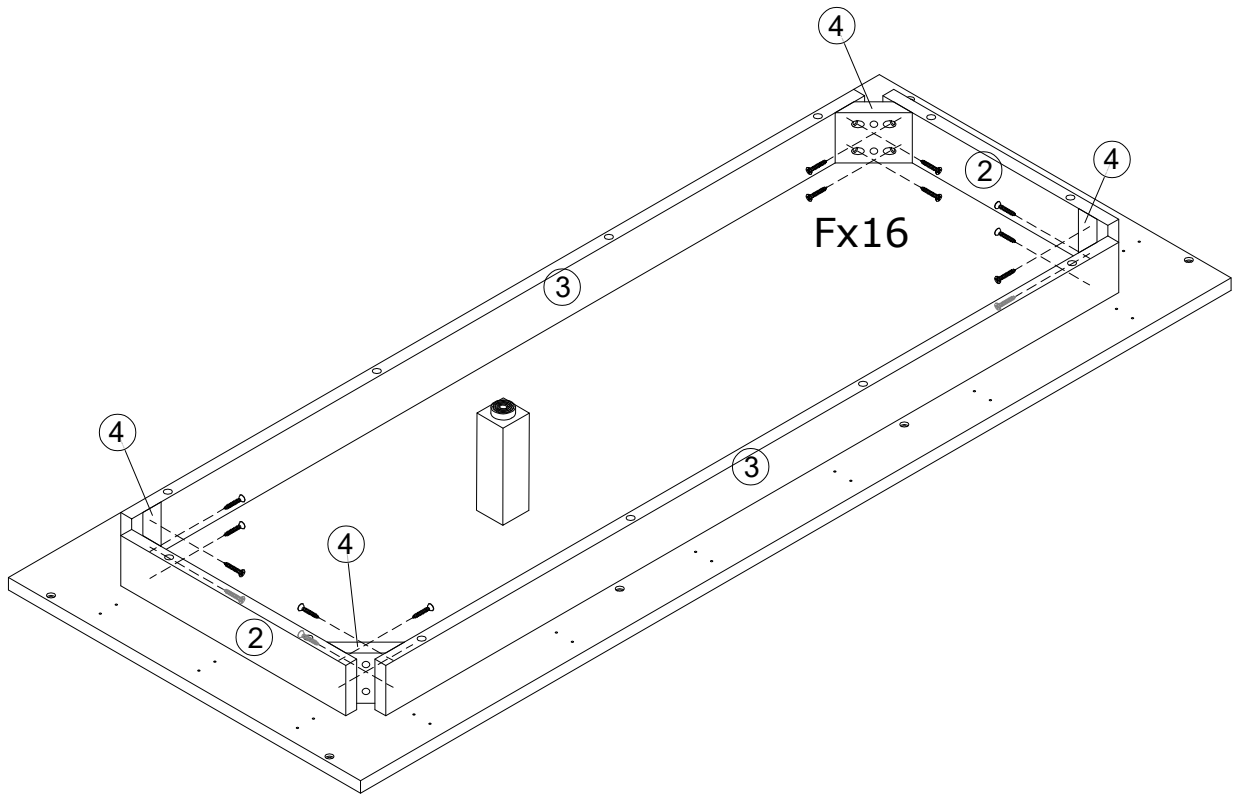


13




F



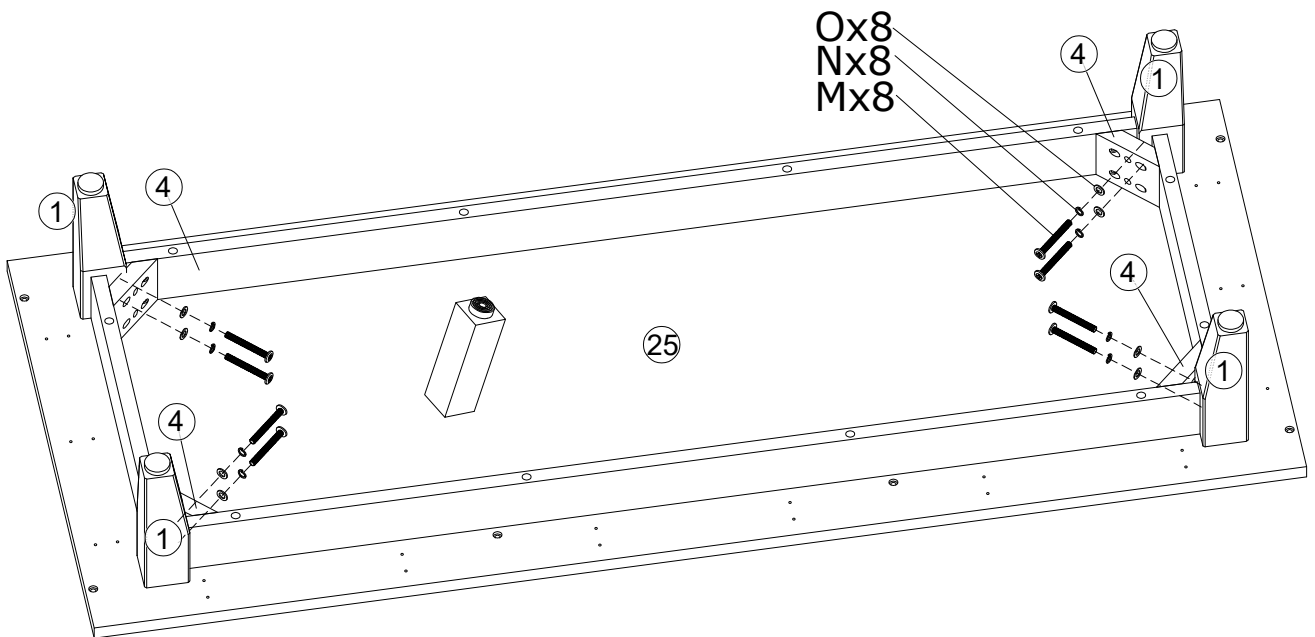
x16



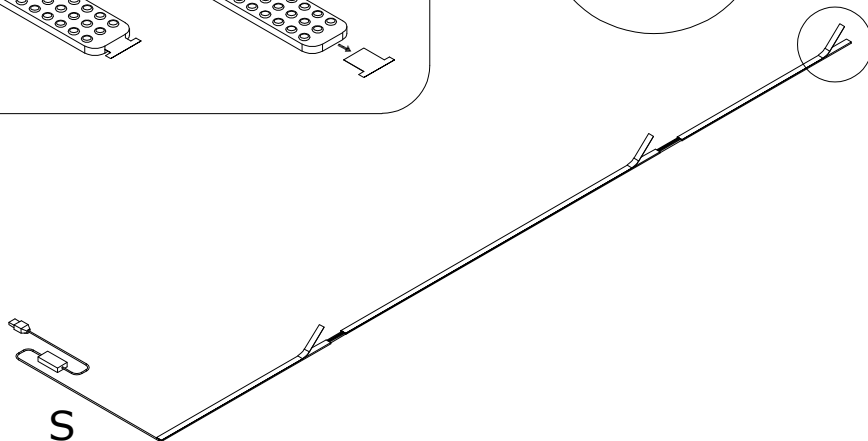
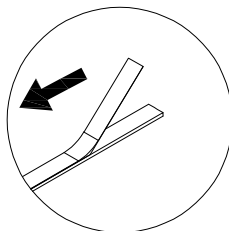
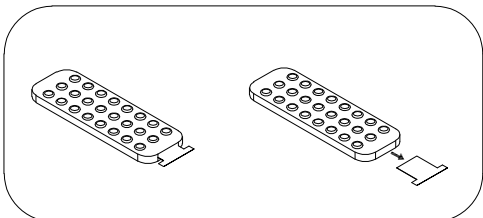
14


M		x8
N		x8
O		x8

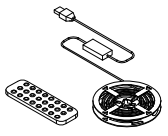
No.4 plate should be closely stitched with No.1.25plate.

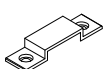


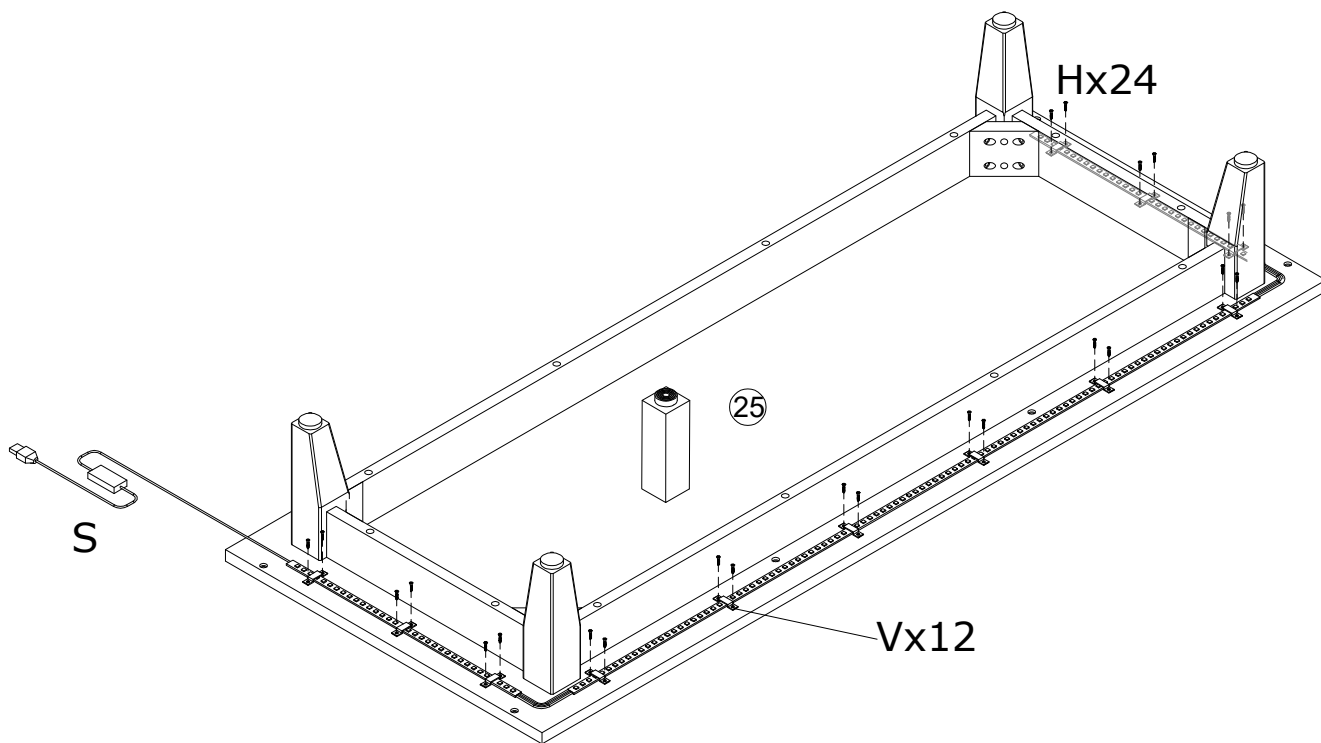
15



H

x24

S

x1

V

x12



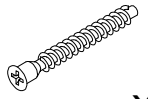
16

C

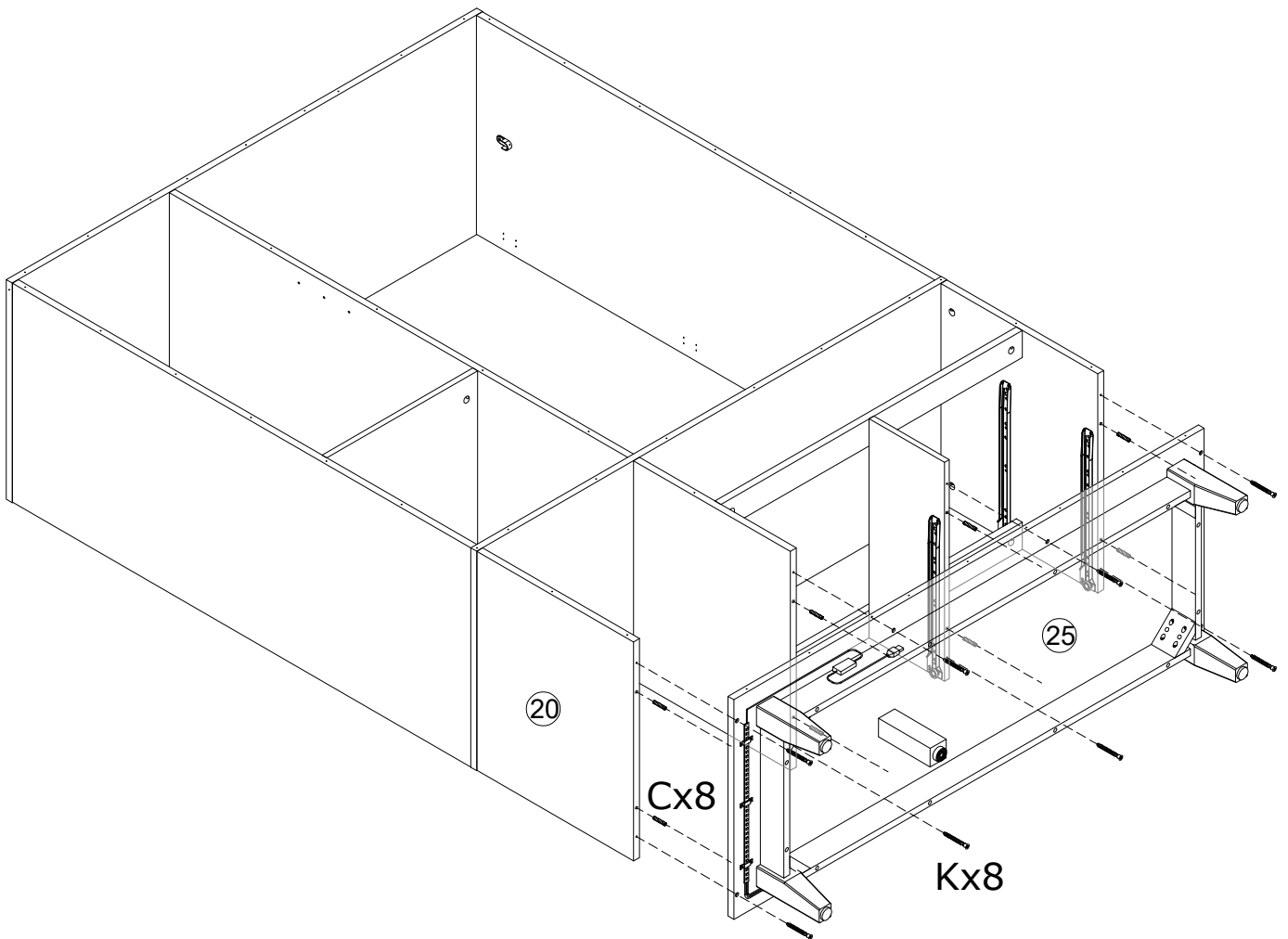


x8


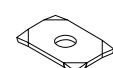
K



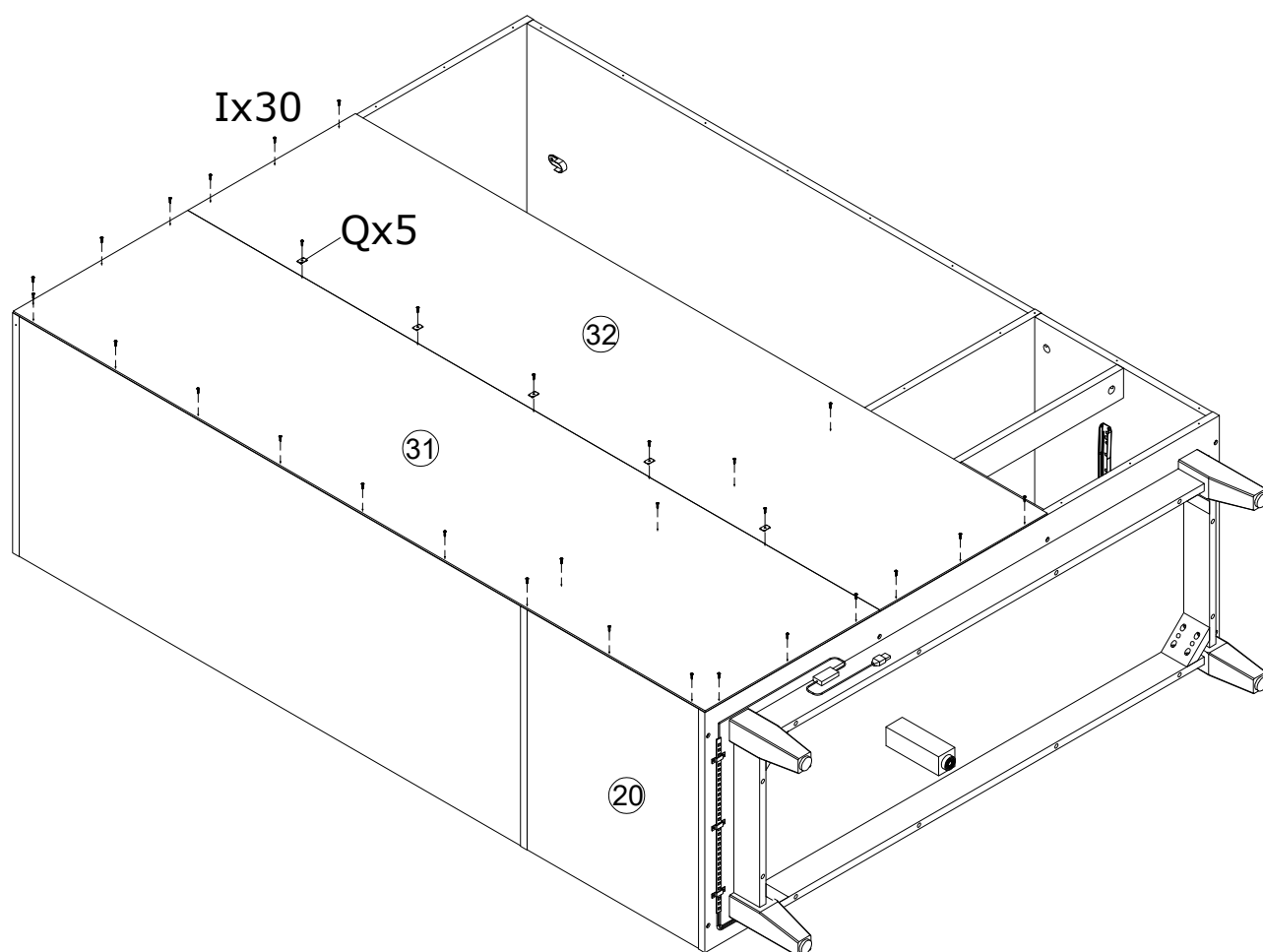
x8



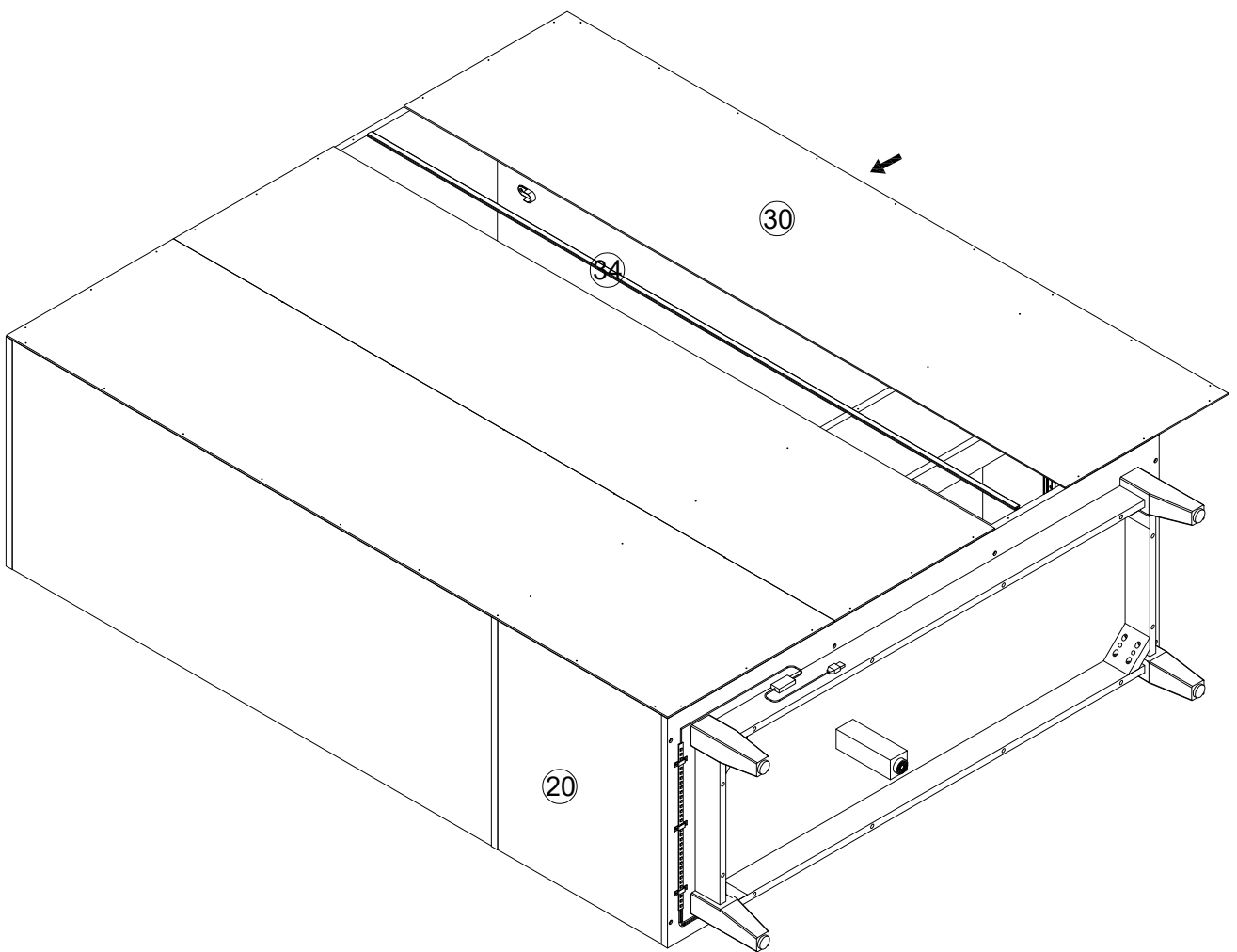
17

I		x30
Q		x5

Tighten the V screws assembled on the backboard by 70%, and then tighten the V screws after locking all backboards.



18

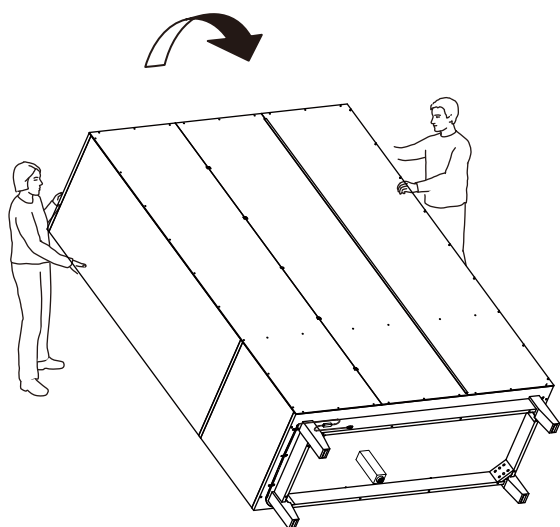
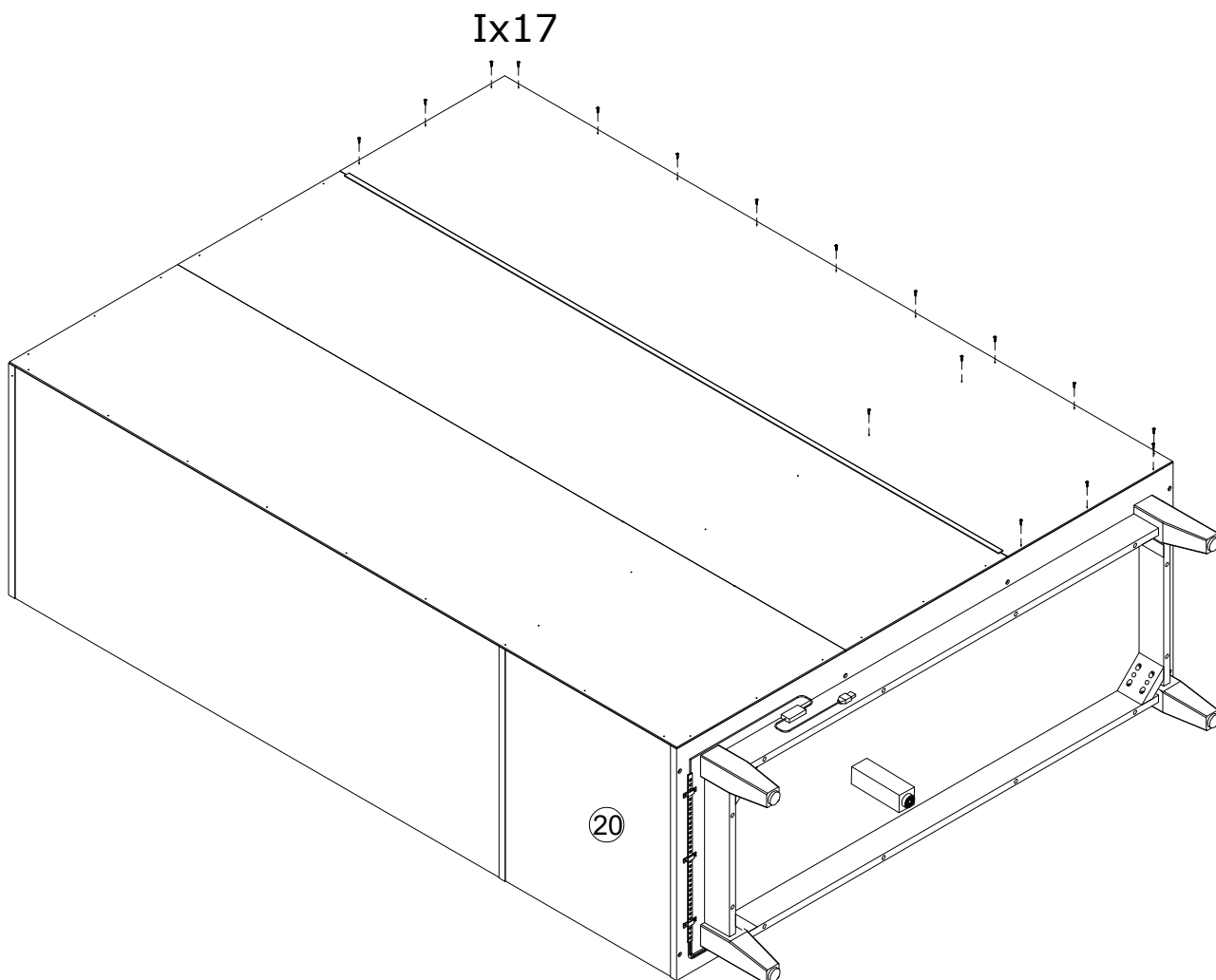


19

I



x17



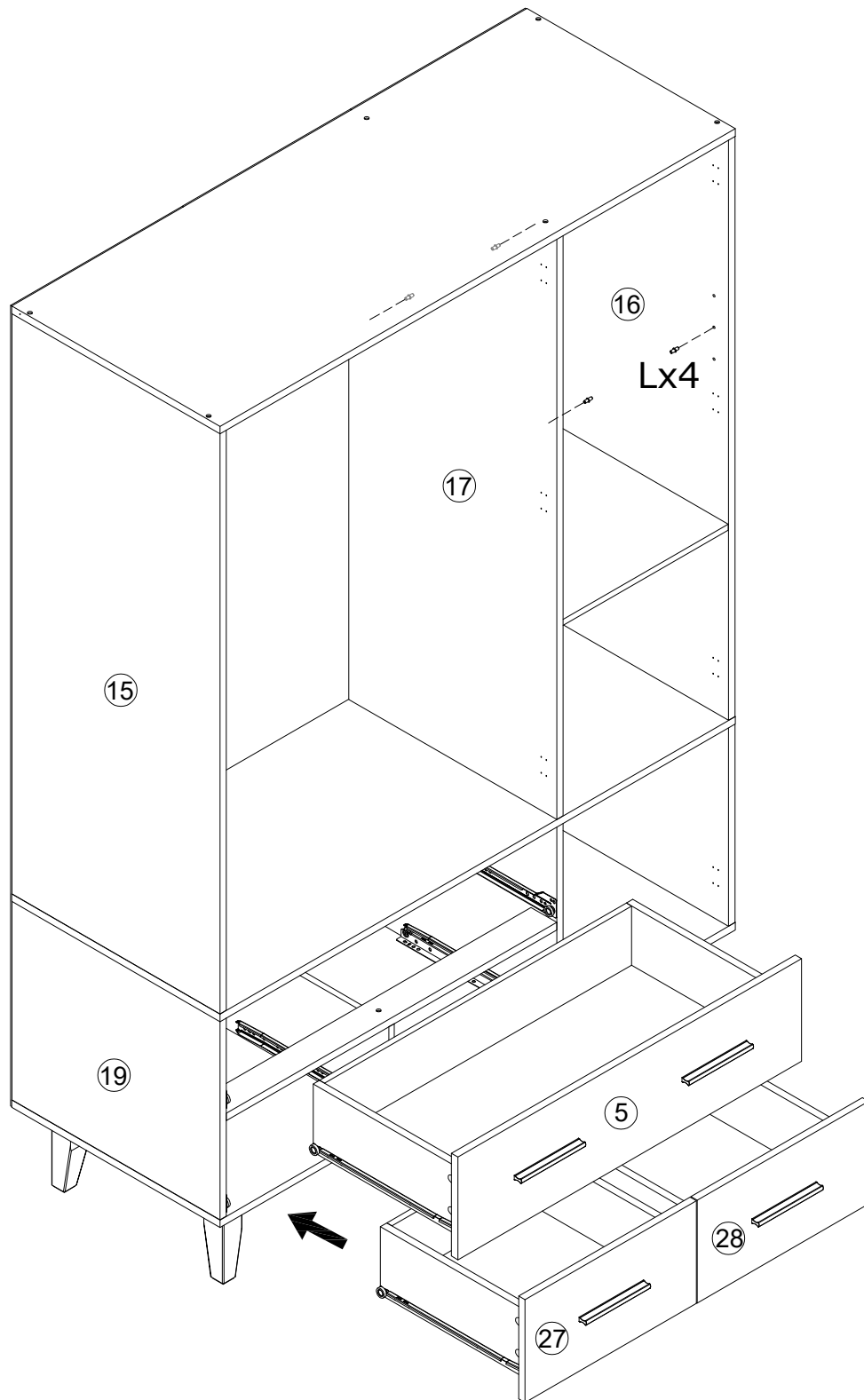
It takes two people to lift the product together.

20

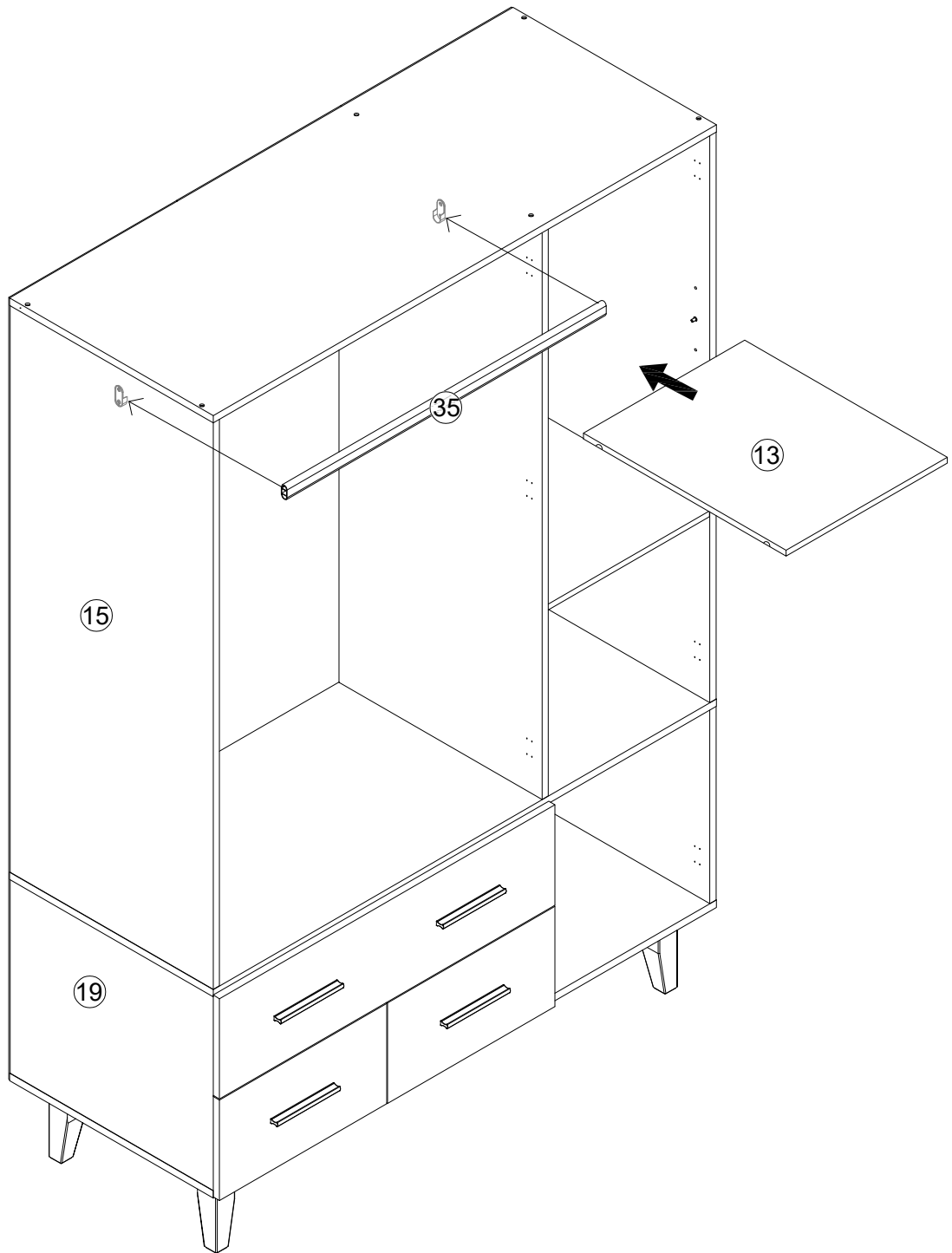
L



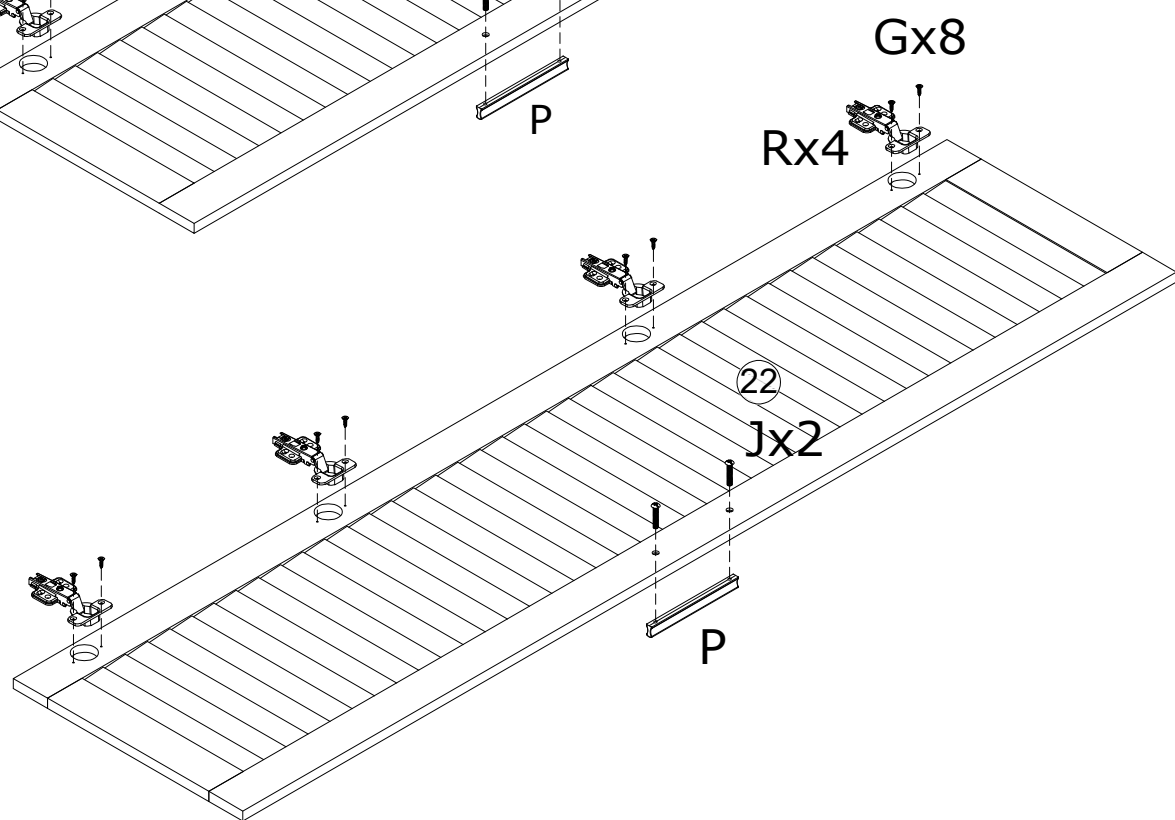
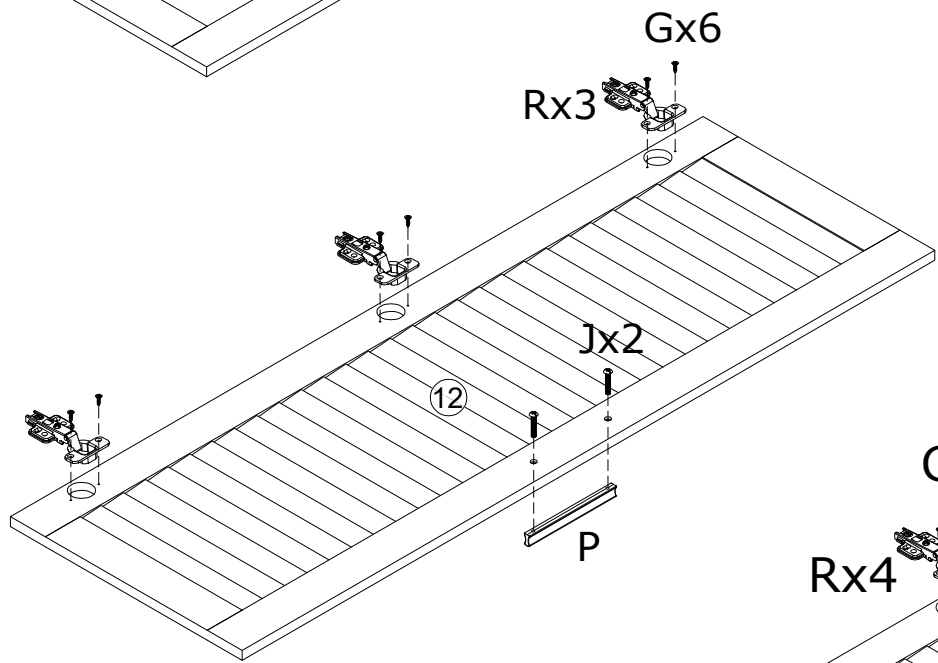
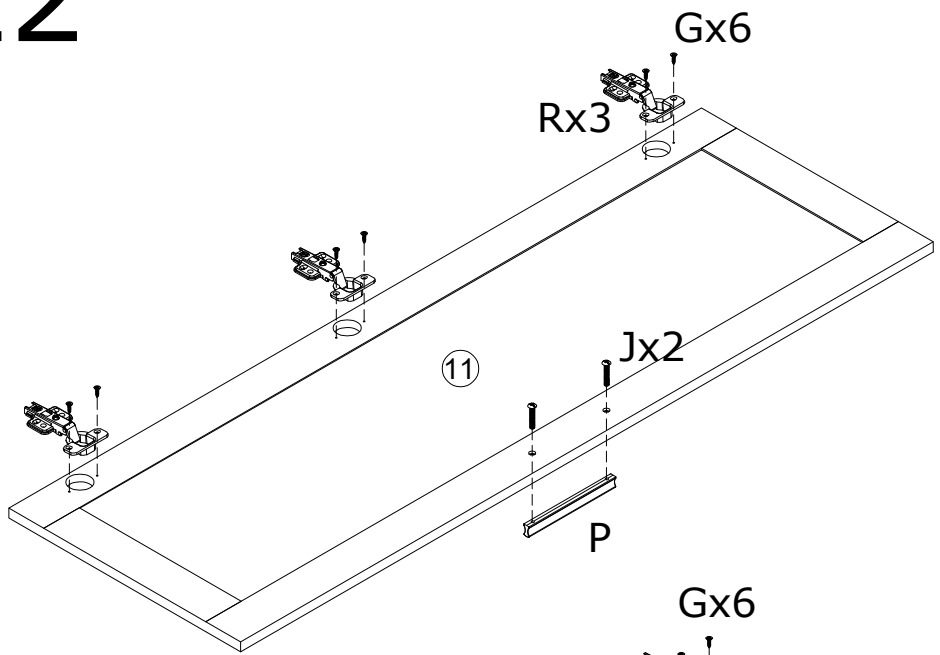
x4




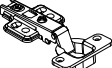


21



22



G		x20
J		x6
P		x3
R		x10

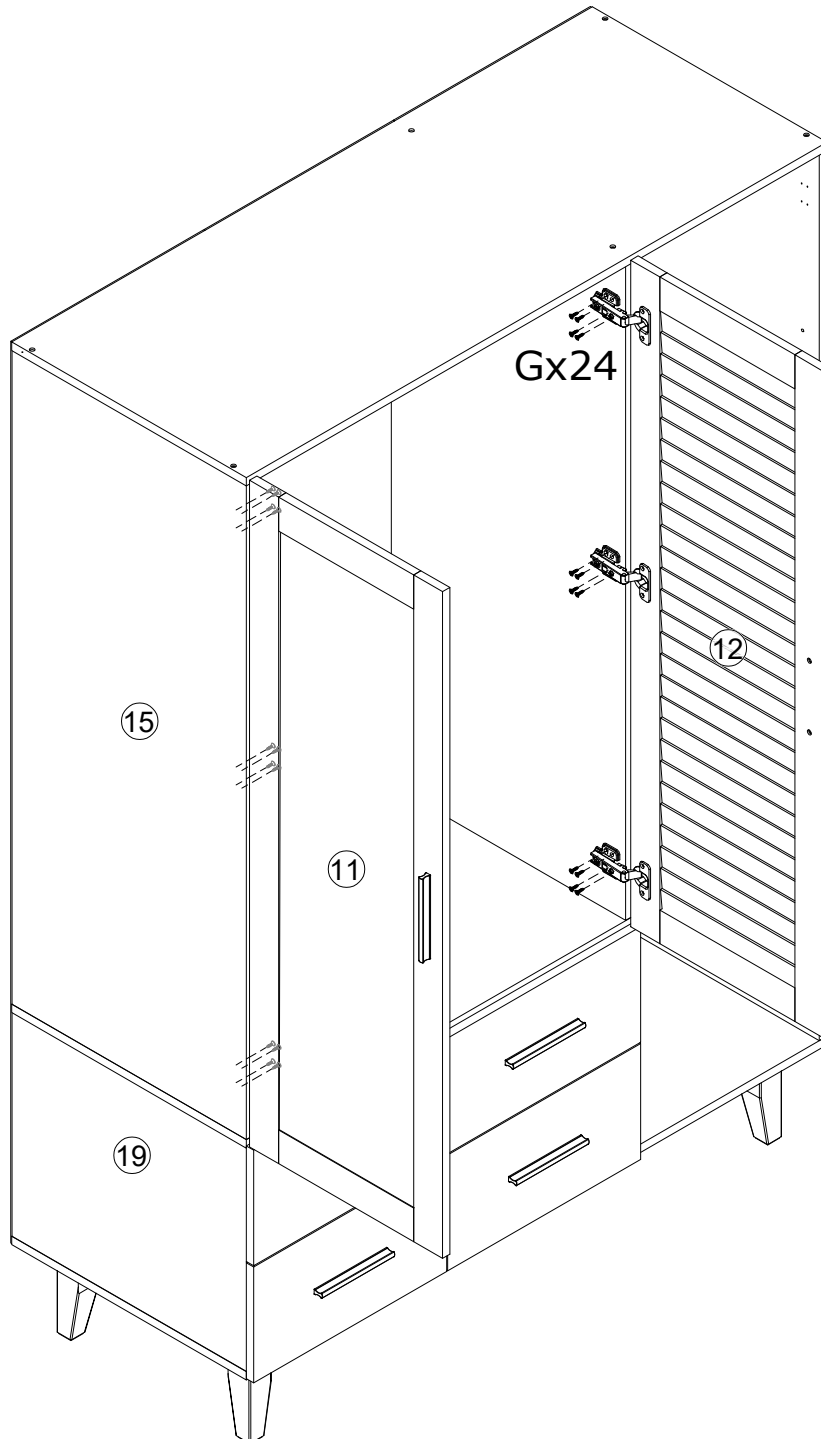
Please refer to the supplementary instructions for hinge adjustment or Step 25.

23

G



x24



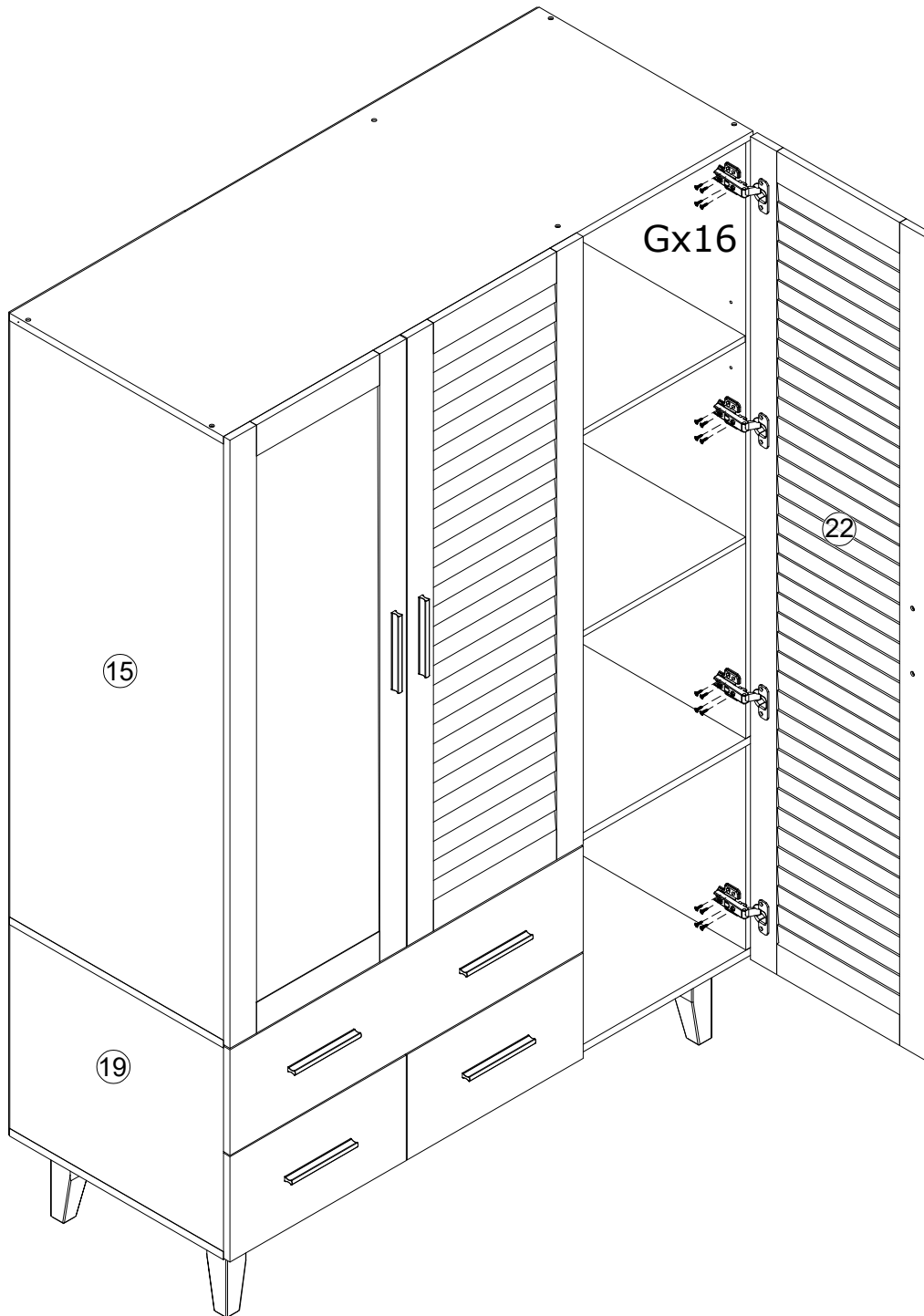
Please refer to the supplementary instructions for hinge adjustment or Step 25.

24

G



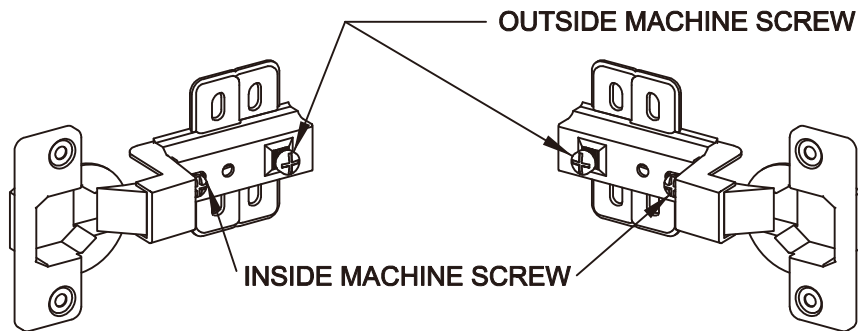
x16



Please refer to the supplementary instructions for hinge adjustment or Step 25.

25

HINGE ADJUSTMENT SUPPLEMENT



In the event that the door does not align properly, the **INSIDE** Machine Screws located on the Hinges are for adjusting slightly to the Left or Right. **DO NOT LOOSEN THE OUTSIDE MACHINE SCREW FOR ADJUSTMENT.**

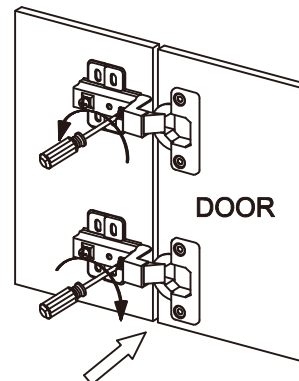
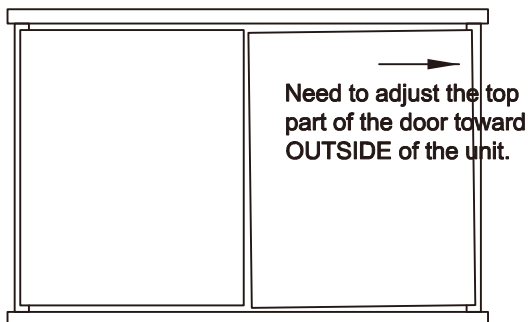
A. To adjust the door toward the **OUTSIDE** of the unit, turn the Inside Machine Screws to the **LEFT**, or **COUNTERCLOCKWISE**. (See Figure A)

B. To adjust the door toward the **INSIDE** of the unit, turn the Inside Machine Screws to the **RIGHT**, or **CLOCKWISE**. (See Figure B)

***Note: Please be patient, it may take several minutes to adjust properly.**

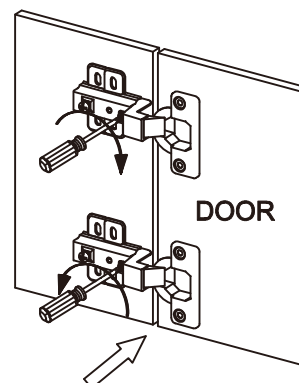
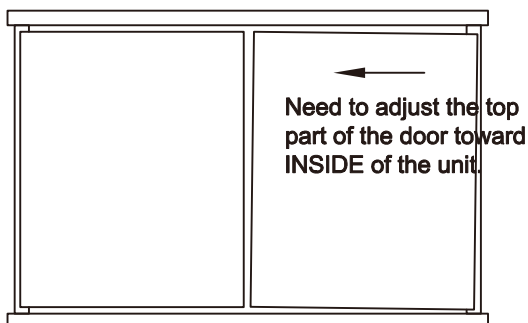
Only once the door is in the desired position, fully tighten the **OUTSIDE** Machine Screws. This will ensure that the door is secure.

A



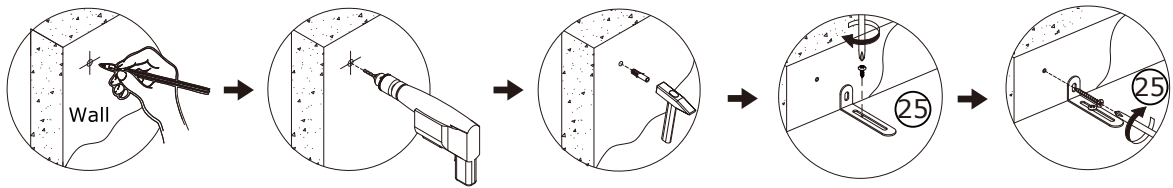
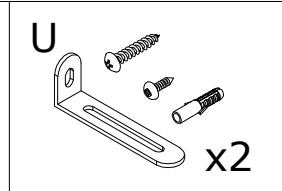
You may also need to adjust slightly the lower part of the door toward **INSIDE** of the unit at the same time.

B



You may also need to adjust slightly the lower part of the door toward **OUTSIDE** of the unit at the same time.

26



A solid wall	B cavity wall	C solid wood
\emptyset 6mm (5/16°)	\emptyset 6mm (5/16°)	\emptyset 3mm (\emptyset 1/8°)

! Warning: If you overturn the furniture, it may cause serious or fatal crushing injuries. We have a wall connection device attached, please use it to hold the furniture following these instructions.

1. Mark the corresponding hole positions where you want to place the furniture;
2. Use a impact drill to drill holes and pay attention to avoid wires and water pipes;
3. Knock the expansion pipes into the wall holes;
4. Place the furniture in the corresponding position and tighten the wall connection device with screws.

