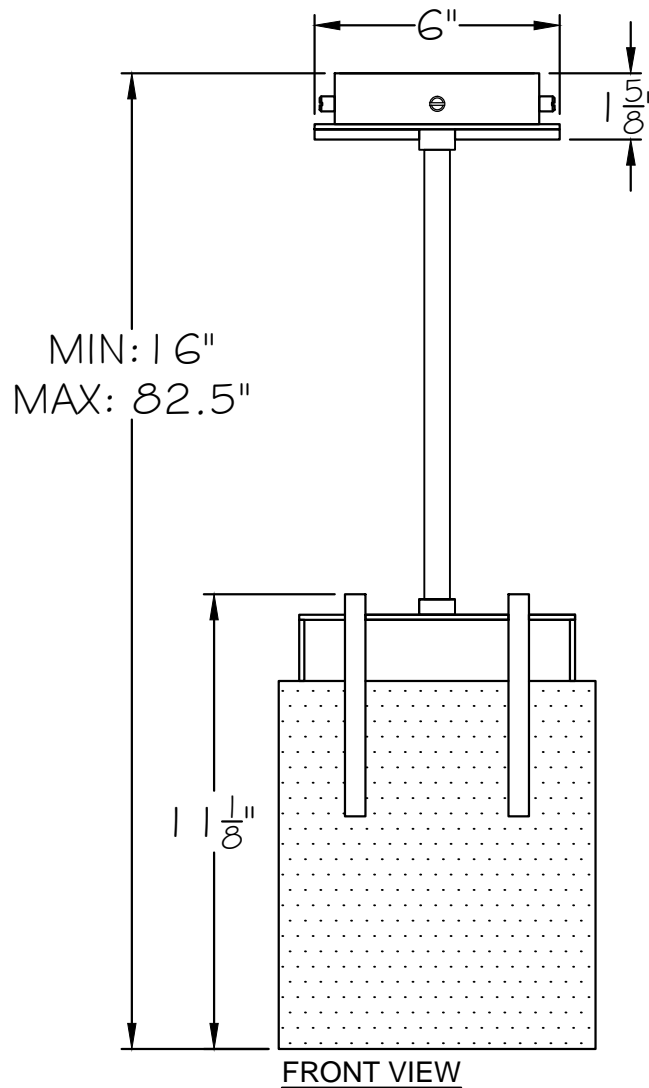
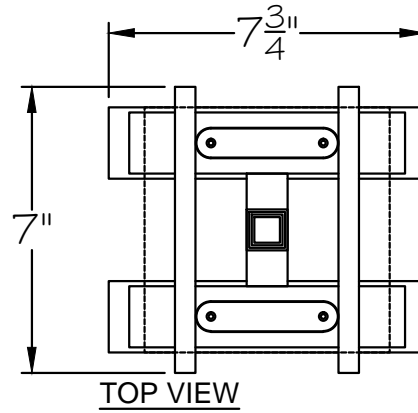


CUSTOMER REFERENCE DRAWING



STYLE CONFIGURATIONS:

-11ST BLACK/ CLEAR GLASS	-12ST BLACK/ GOLD GLASS	-21ST SILVER/ CLEAR GLASS	-22ST SILVER/ GOLD GLASS	-31ST GOLD/ CLEAR GLASS	-32ST GOLD/ GOLD GLASS
--------------------------	-------------------------	---------------------------	--------------------------	-------------------------	------------------------



This drawing, specifications and the product depicted are the exclusive property of Fine Art Handcrafted Lighting®. In compliance with US copyright and patent requirements, notice is hereby given that this document and the product depicted shall not be copied, altered or used in any manner without the expressed written consent of Fine Art Handcrafted Lighting®.

www.finearthl.com

Tel:(305) 821-3850  
FINE ART LAMPS®

Fax:(305) 513-5736

STYLE NUMBER:

930240

DATE:

5/13/21