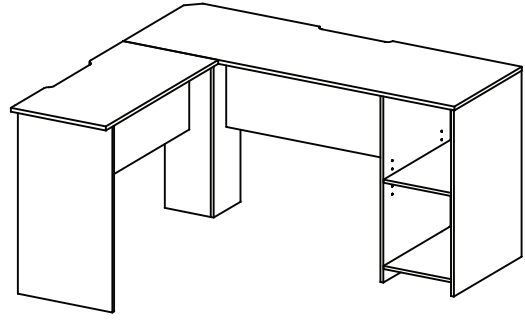
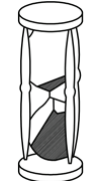

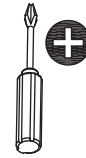


L-Shaped Desk with Bookshelves



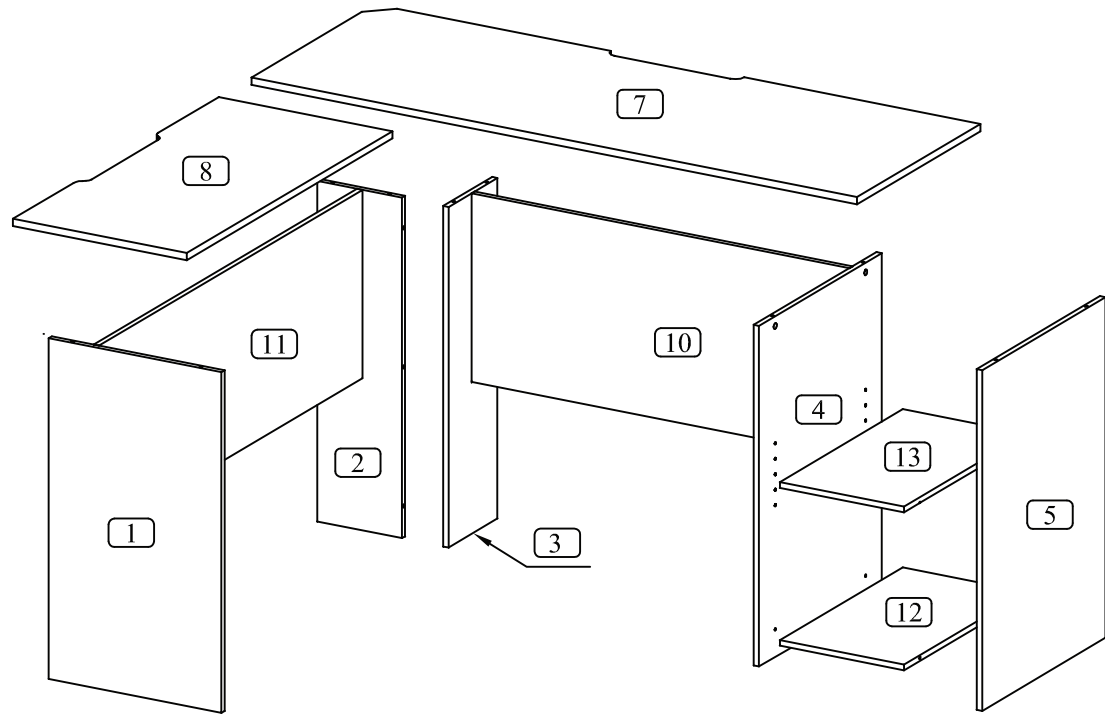

 60 min

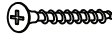





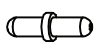

 x 2


 Tool Required


USEFUL HINTS BEFORE YOU START:

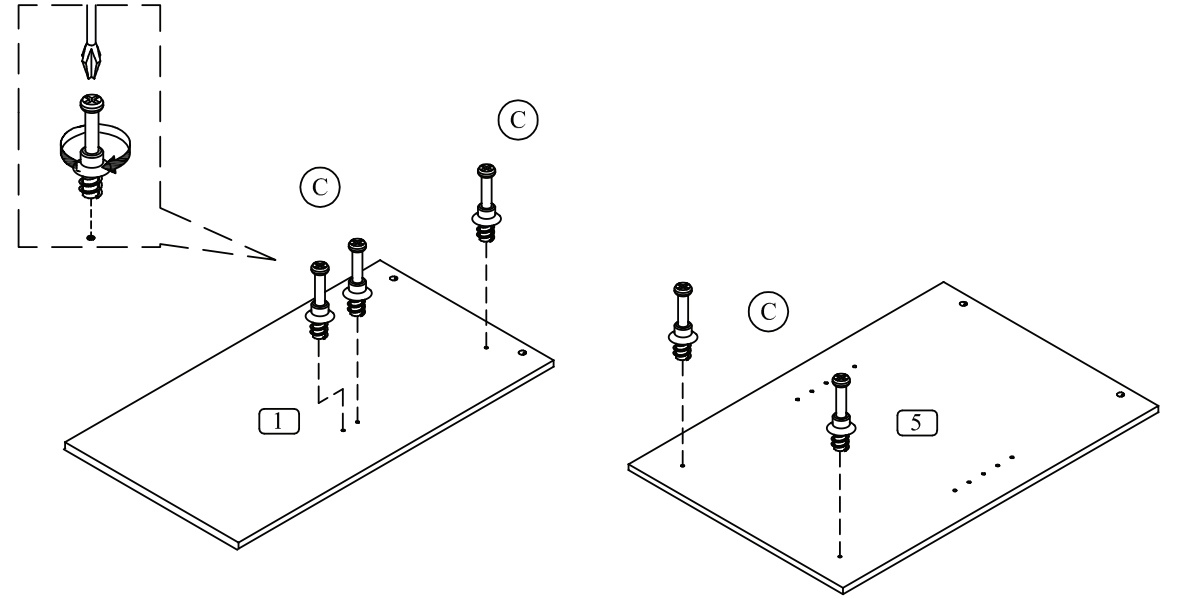
1. Read each step carefully before starting.
2. It is important that each step is performed in correct order to avoid difficulties.
3. Identify, sort and count the parts before assembly.
4. Assemble your furniture on packaging cardboard to prevent scratch or damage.
5. Clean the product with mild cleanser using soft damped cloth. Do not use harsh or abrasive cleanser.
6. Using incompatible hardware might cause damage to product.




A  ø8x35 mm 4 x	B  ø14.8x10 mm 22 x	C  ø8.5x24 mm 22 x	
D  ø6x16mm (FH) 16 x	E  105x30x2mm 2 x	F  ø18x5 mm 5 x	G  ø4.8x20.5 mm 4 x

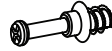
1

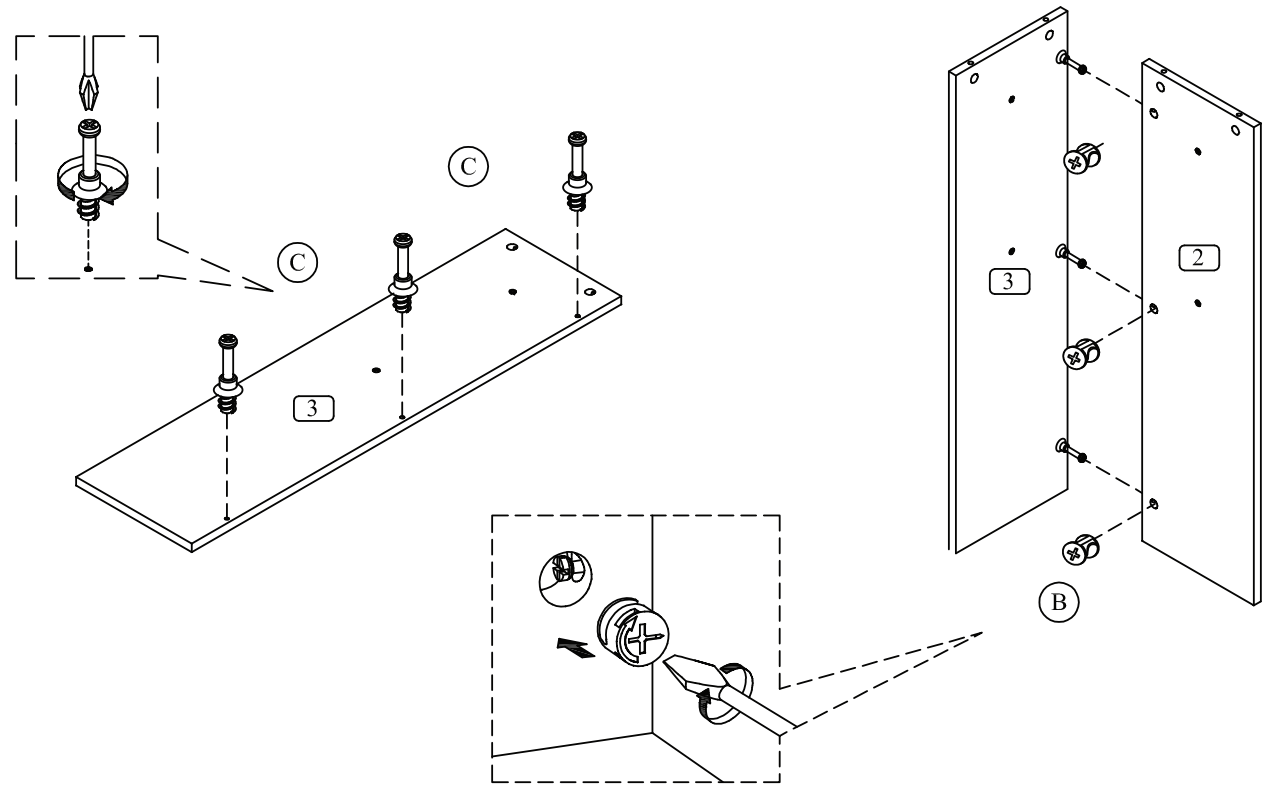

 C = 5 x



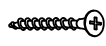
2


 B = 3 x


 C = 3 x



3



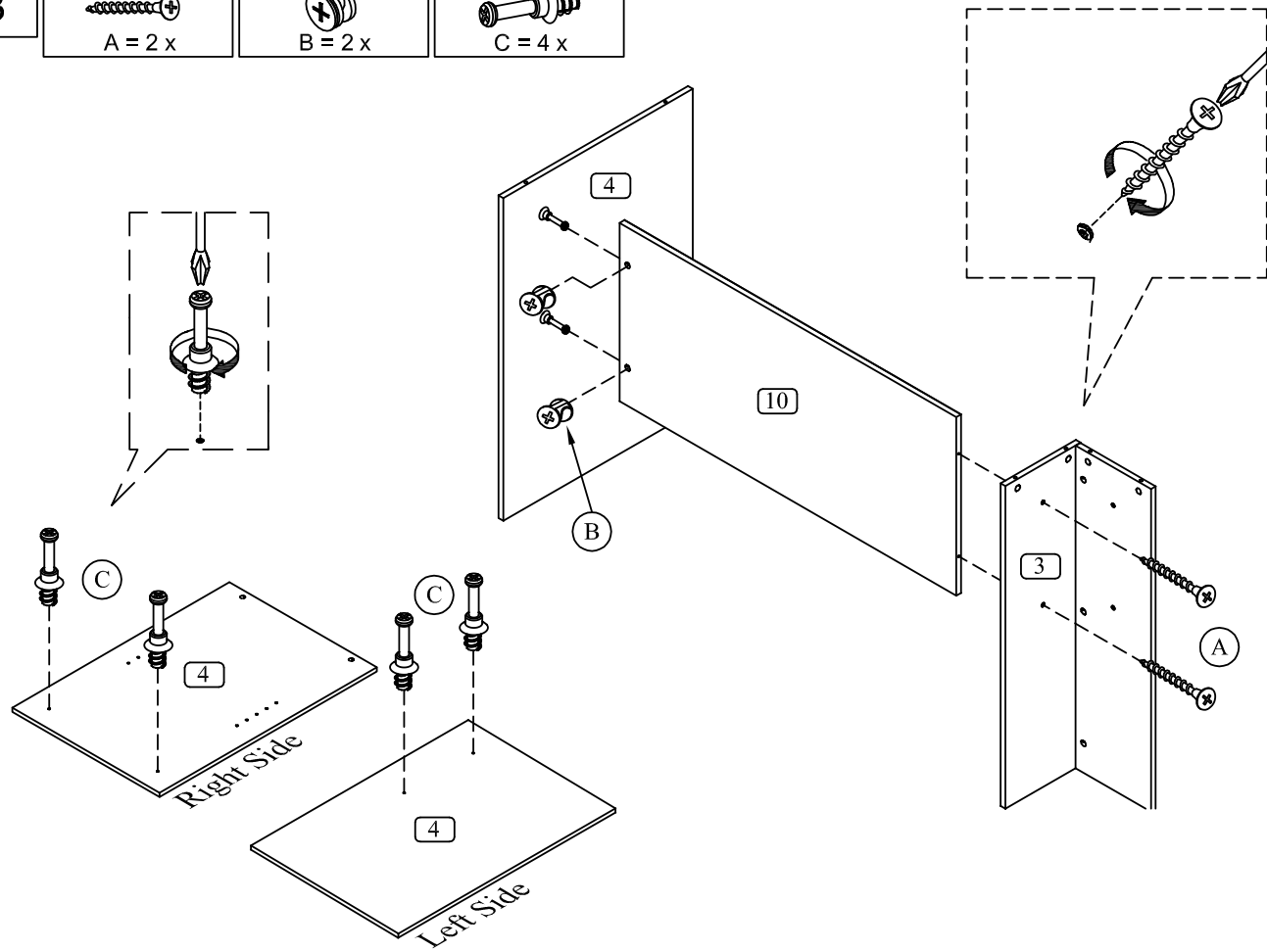
A = 2 x



B = 2 x



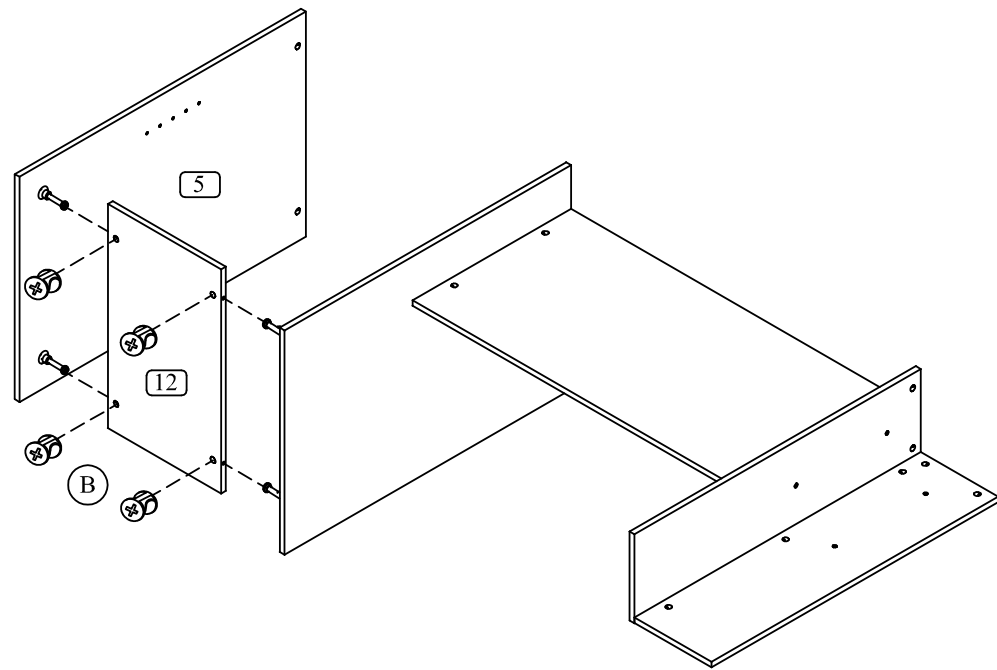
C = 4 x



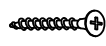
4



B = 4 x



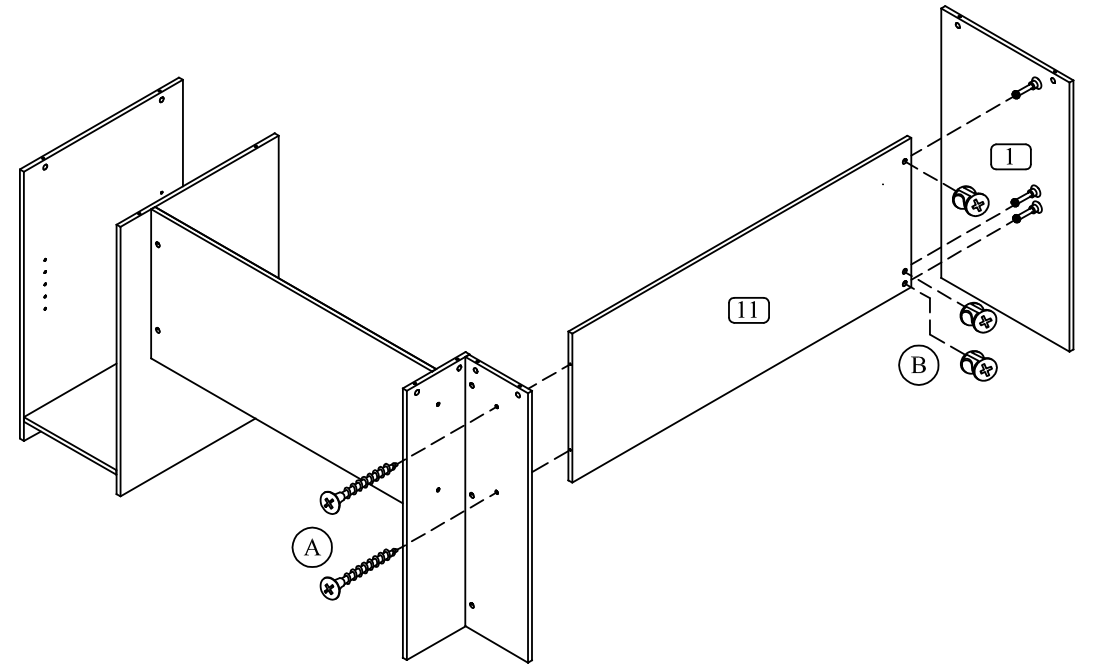
5



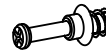
A = 2 x



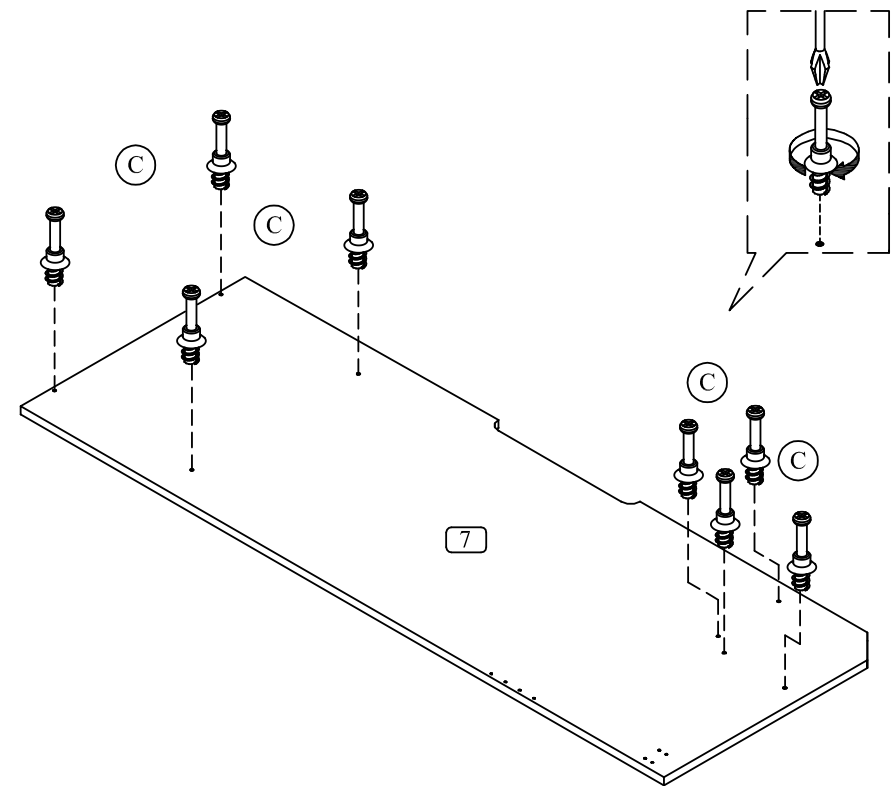
B = 3 x



6



C = 8 x



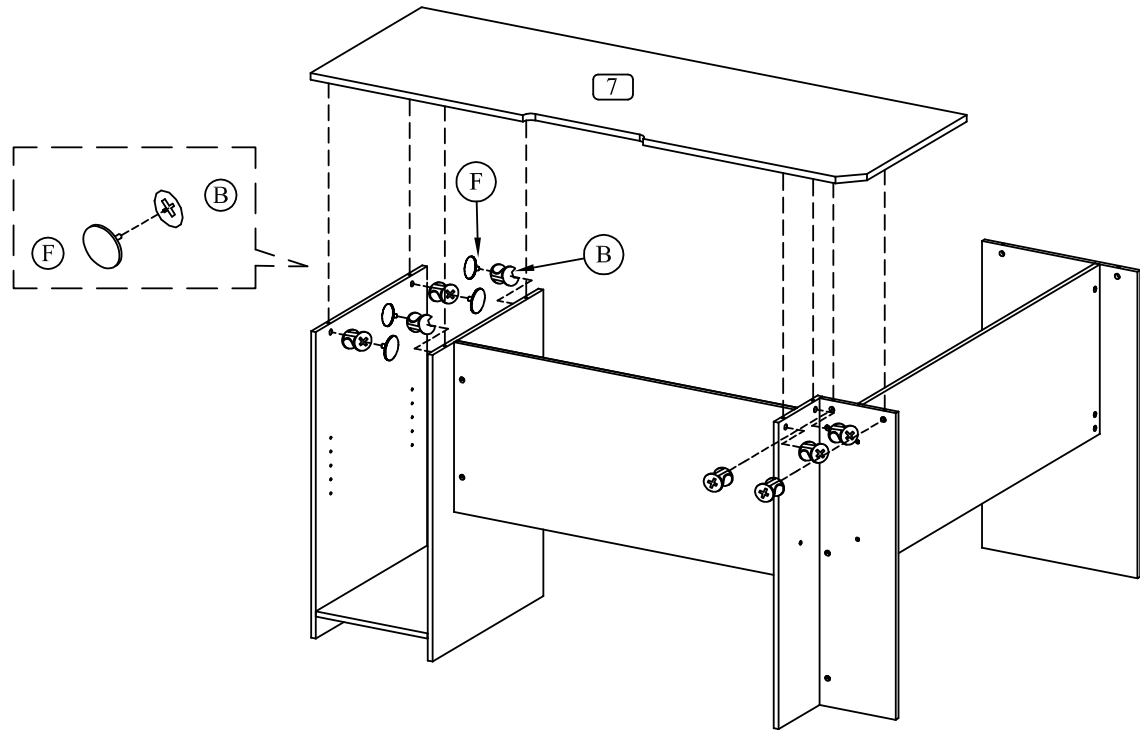
7



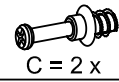
B=8x



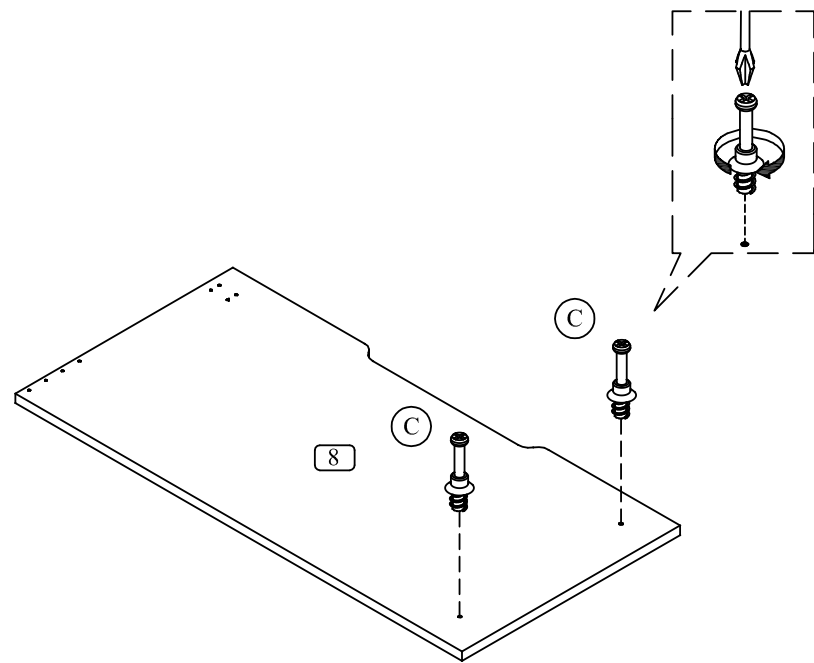
F=4x



8



C=2x



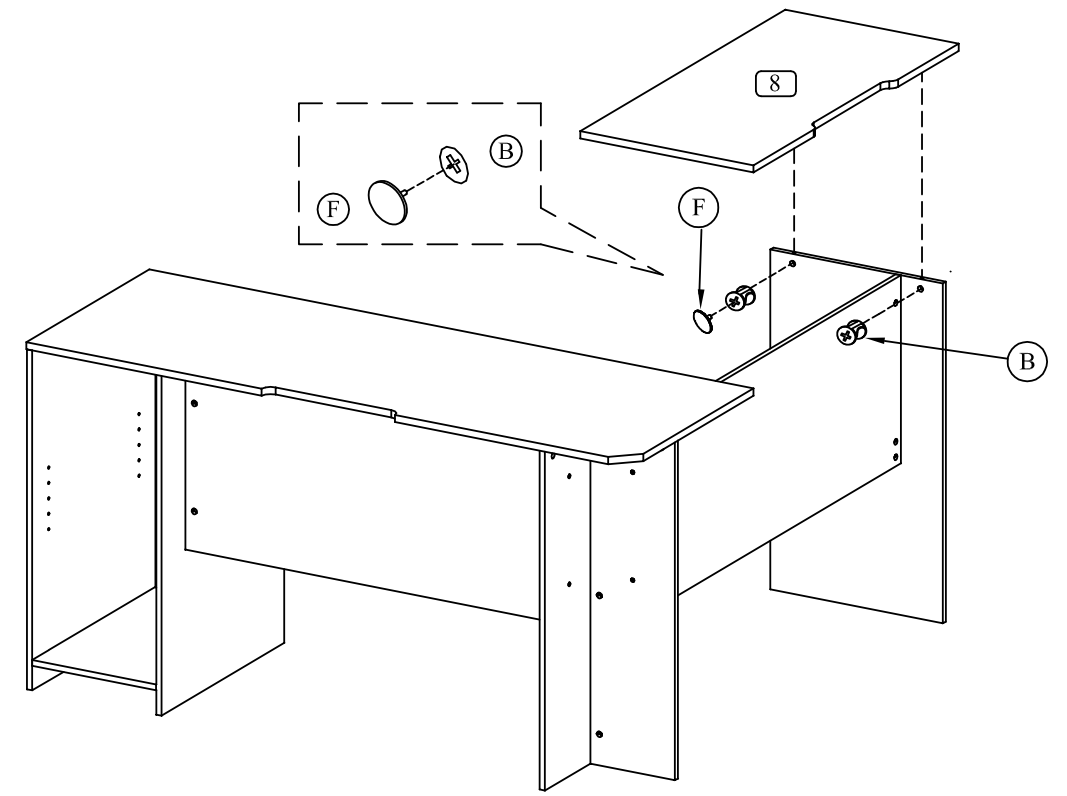
9



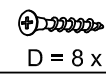
B=2x



F=1x



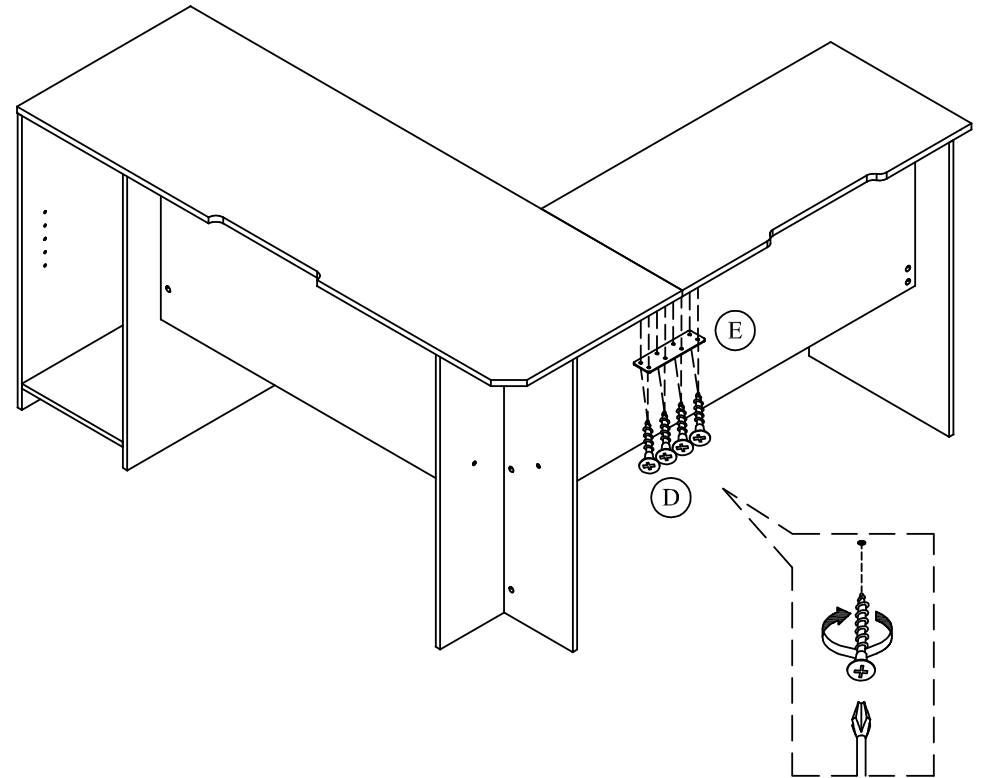
10



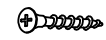
D=8x



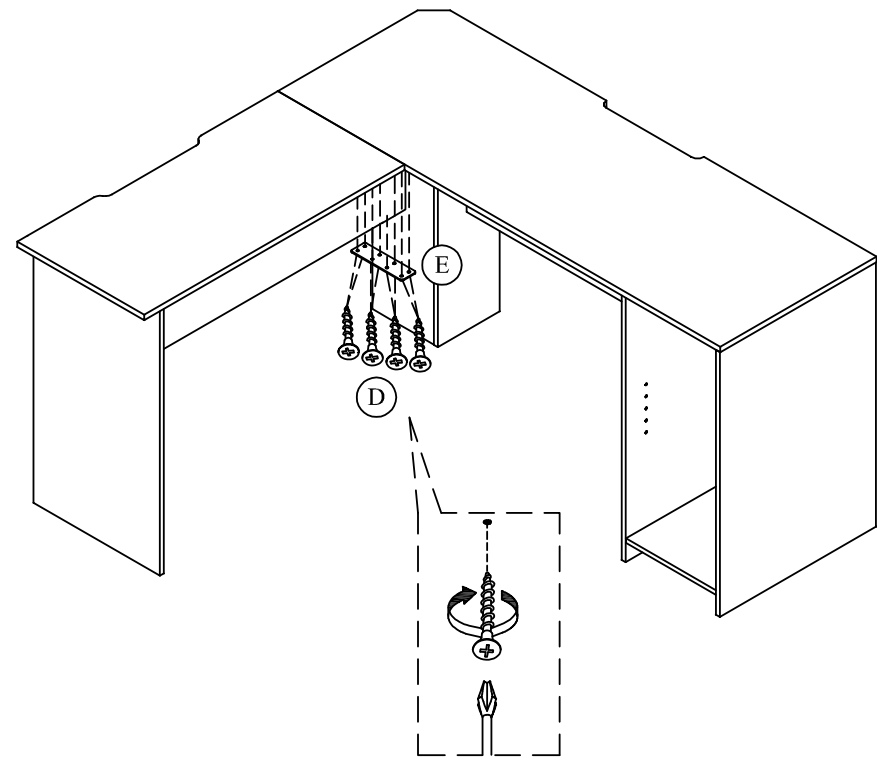
E=1x



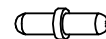
11

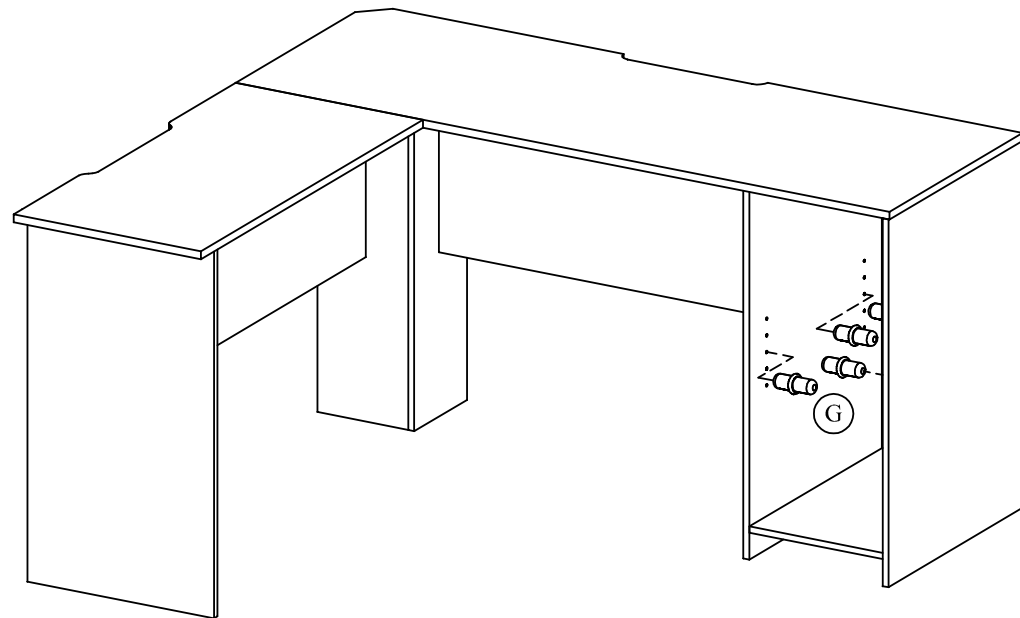

D = 8 x


E = 1 x

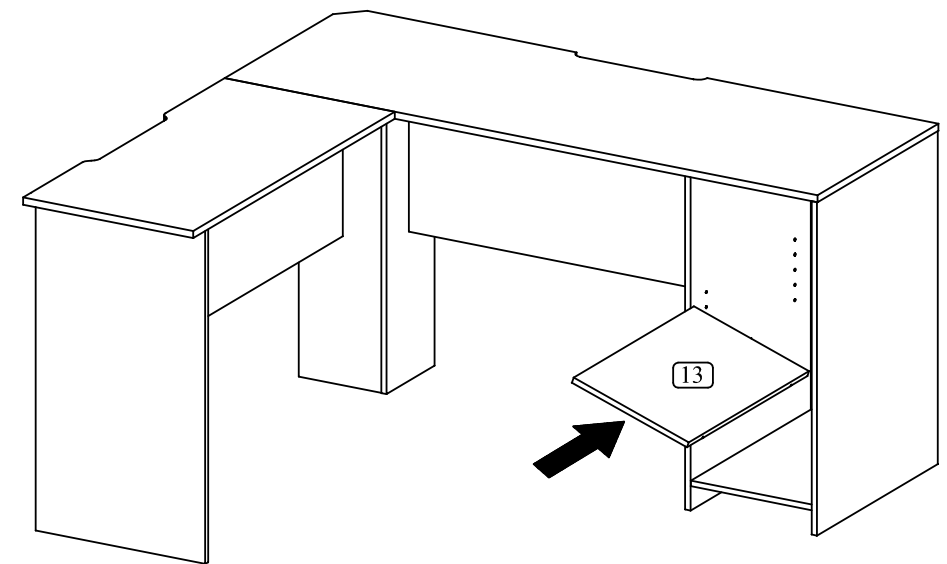


12


G = 4 x



13



14

