

ASSEMBLY INSTRUCTION

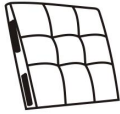

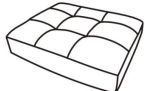
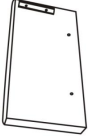








| | | | | | | | |
|---|---|---|---|--|---|---|---|
| Ax1  Back Cushion | Bx1  Seat Frame | Cx1  Seat Cushion | Dx1  Left Armrest | Ex1  Right Armrest | Fx1  Back Side(L) | Gx1  Back Side(R) | Hx4  Legs |
| 1X4 Washer  | | 2X4 Screws 8X60  | | 3X8 Screws 6X20  | | 4X1 Wrench  | |

DIAGRAM 1 (Assemble the Armrest)

Assemble the Left and Right Armrests(Part D and PartE) to the Seat Frame(Part B) with Washers (1)and Screws(2).

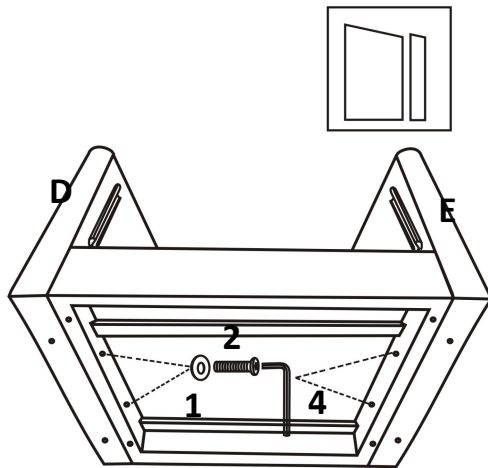


DIAGRAM 2 (Assemble the Legs)

Assemble the Legs(Part H) on the chair with Screws (3).

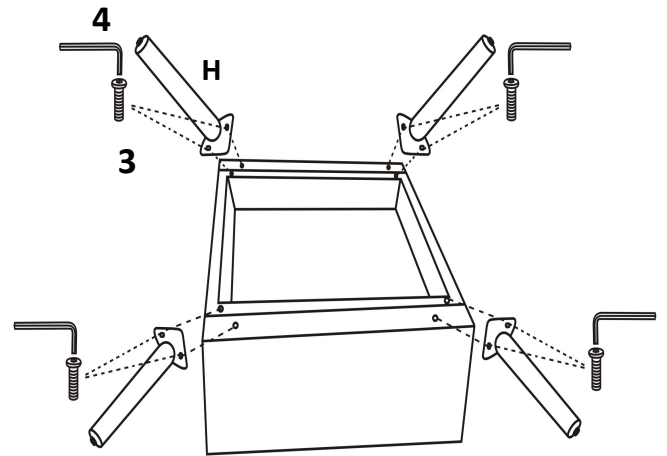


DIAGRAM 3 (Assemble the Back Cushion)

Insert the Back Cushion(Part A) into the installed frame as shown in the picture.

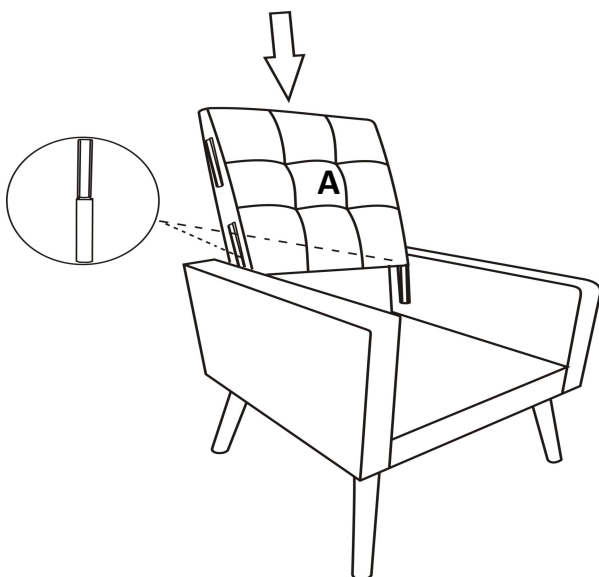
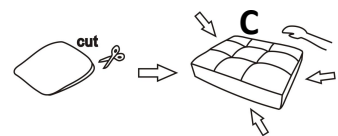


DIAGRAM 4 (Assemble the Back Side and Seat Cushion)

❖ Open the compressed packages.



❖ Insert the Back Side (Part F and G) into the Back Cushion and then put the Seat Cushion (Part C) on the chair.

