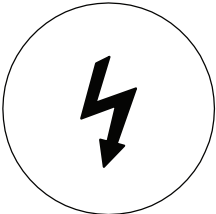


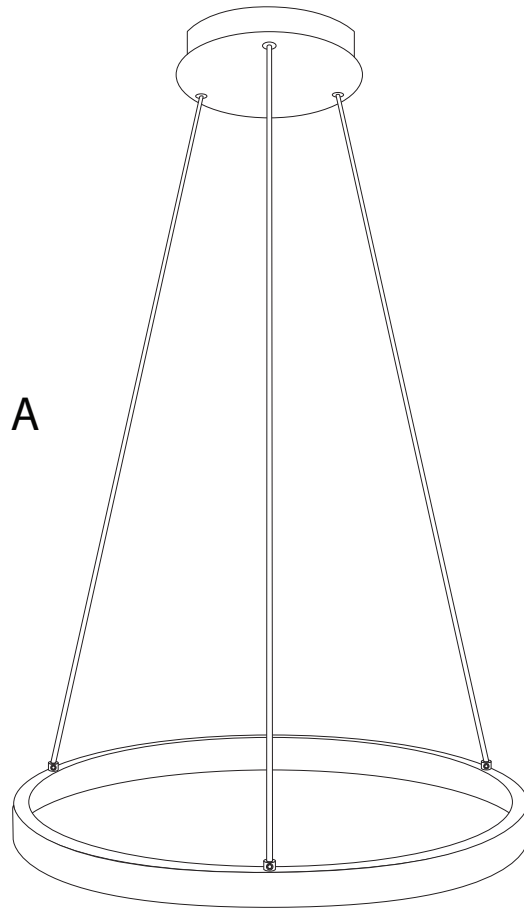

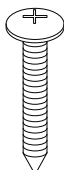

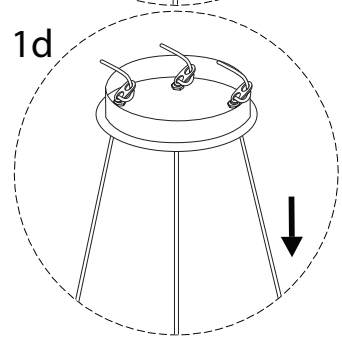
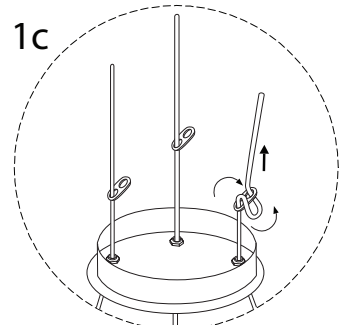
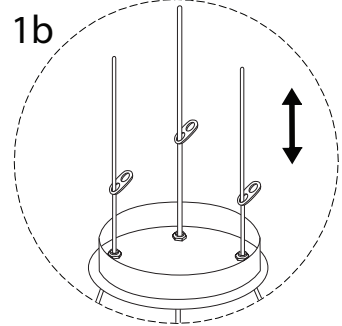
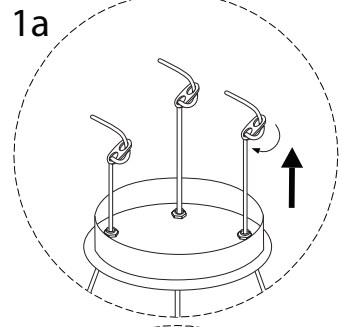
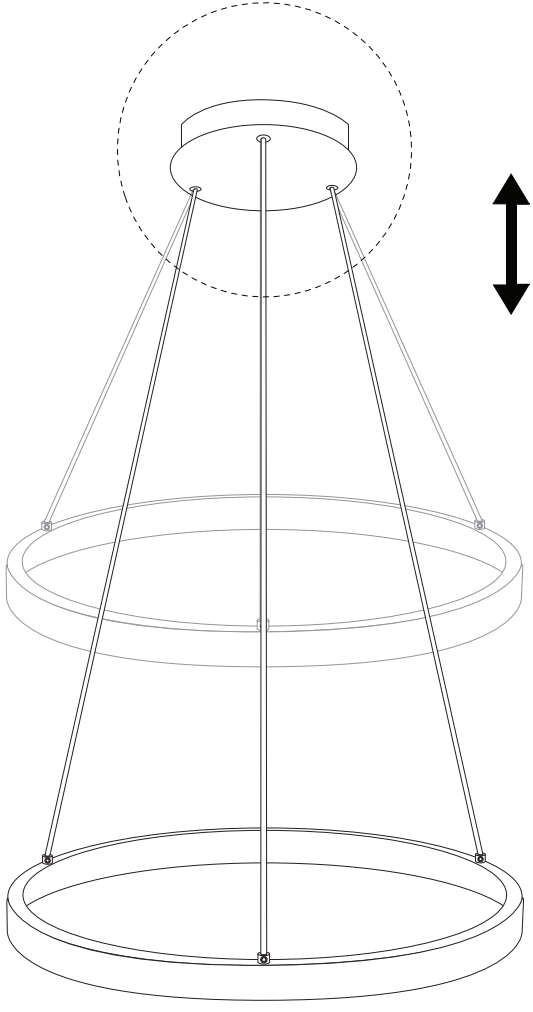

		<p>20'</p>
		
		<p>1</p>



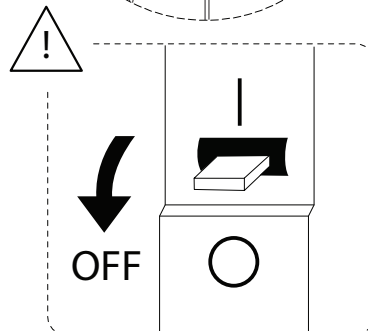
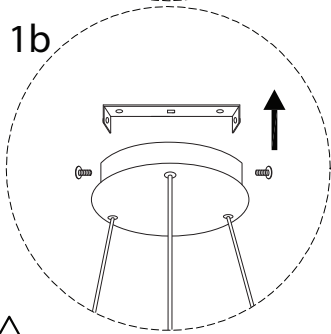
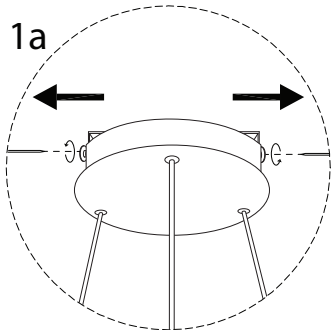
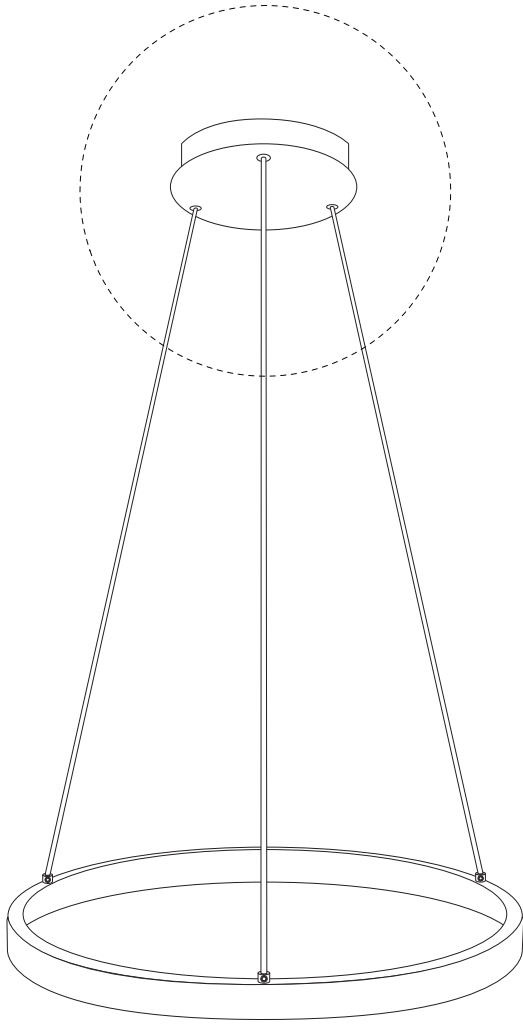
A

<p>A</p>  <p>x 1</p>	<p>B</p>  <p>x 2</p>	<p>C</p>  <p>x 2</p>
---	---	---

!

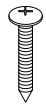


1



2

B



x 2

C



x 2

