

DIMENSIONS

MINI 150

MINI 120

Space occupied when closed

152L. x 54P. x25H. cm

128L. x 54P. x25H. cm

total length of the rails

11,5 mt
8x 144 cm rails
Ø 10 mm

9,6 mt
8x 120 cm rails
Ø 10 mm

drop from ceiling

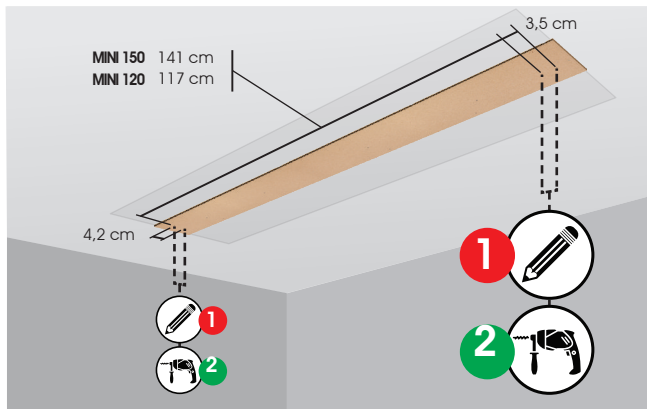
1,8 mt

1,8 mt

capacity

10 kg

10 kg



WARRANTY 2 YEARS

INSTALLATION

- 4 wall plugs in the ceiling

The ceiling-mounted clothes drying rack can be installed in countless locations, including in almost any room, above a bath tub, in a laundry room, under a portico and on a terrace. It can be fitted both inside and outside. The main structure is already partly assembled when it is supplied. It is simply necessary to screw on the grid with the clothes rails.

OPERATION

Manual, with a practical chain and clutch so that it can be lifted with minimum effort. It can be stopped at almost any height between the top and the bottom.