


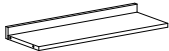

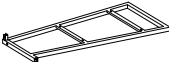
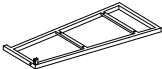





# Assembly Instructions,

# Stepped Tier Bookself

**Note:**

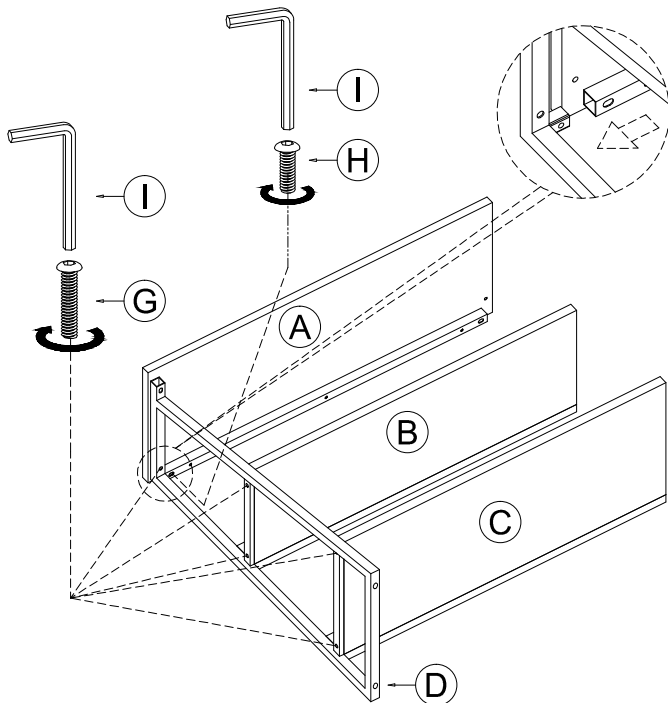
*A packet with complete set of hardware can be found by pulling the red ribbon that's easily visible upon opening the box.*



A: Top Assembly		1
B: Middle Shelf		1
C: Lower Shelf		1
D: Left Side Frame		1
E: Right Side Frame		1
F: Top Metal Rail		1
G: Long Bolts		10
H: Short Bolts		4
I: Allen Wrench		1
J: Screws		4

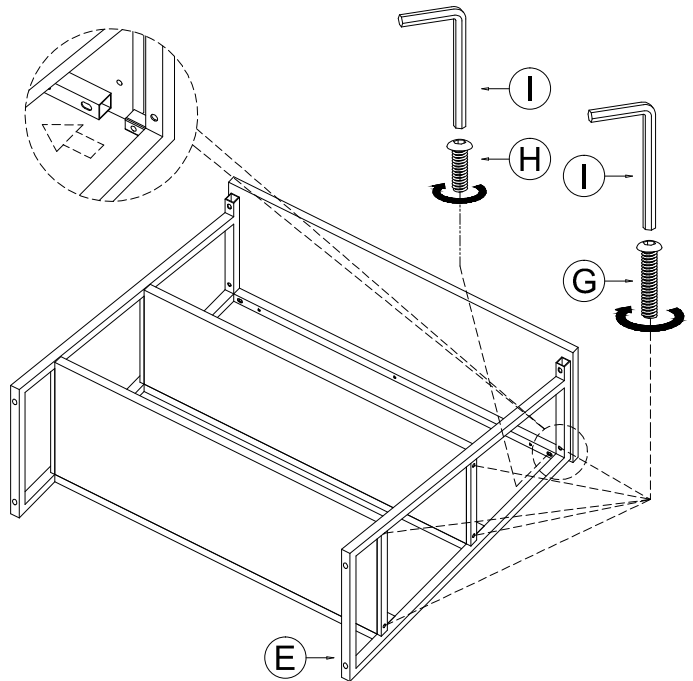
### Step 1

- 1.1 Lay the left side frame (D) on its back edge in a flat and soft surface as shown on the sketch below.
- 1.2 Fasten middle shelf (B) and bottom shelf (C) onto left side frame (D) with 4 long bolts. Do not tighten.
- 1.3 Insert the left side frame's (D) tube into the top assembly's (A) tube, fasten with one long bolt and one short bolt. Do not tighten.



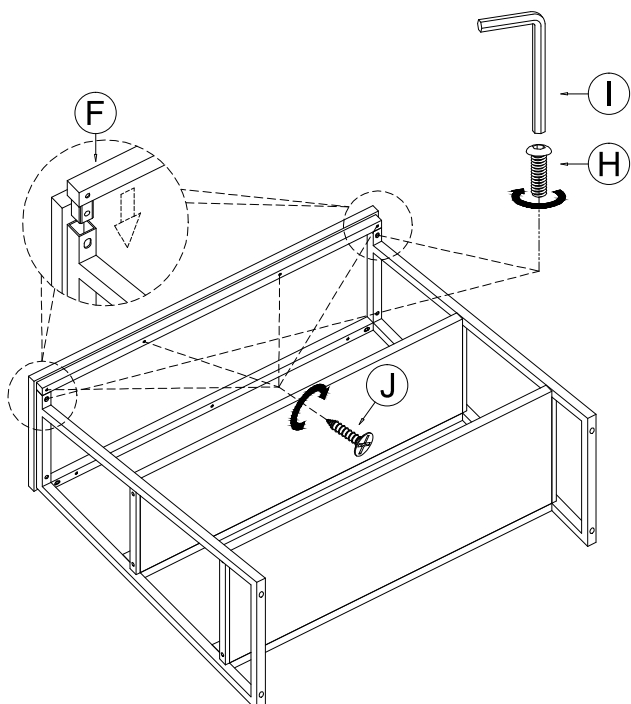
### Step 2

- 2.1 Insert the right side frame's (E) tube into to the top assembly's (A) tube, fasten with one long bolt and one short bolt. Do not tighten.
- 2.2 Fasten the middle shelf (B), bottom shelf (C) and right side frame (E) with four long bolts. Do not tighten.



### Step 3

- 3.1 Insert the top metal rail (F) into the assembled bookshelf, fasten with 2 short bolts. Check to ensure all parts are properly aligned and tighten all the bolts.
- 3.2 Fasten top panel (A) into the base with 4 screws.



### Step 4

- 4.1 Place the assembled bookcase upright. Adjust the levelers on the bottom of bookcase if needed.

